



DANGER

Danger of electrical shock, burns or death. Always remove all power sources before attempting any repair, service or diagnostic work. Power can be present from shore power, generator, inverter or battery. All power sources must be disabled and secured before performing any service.

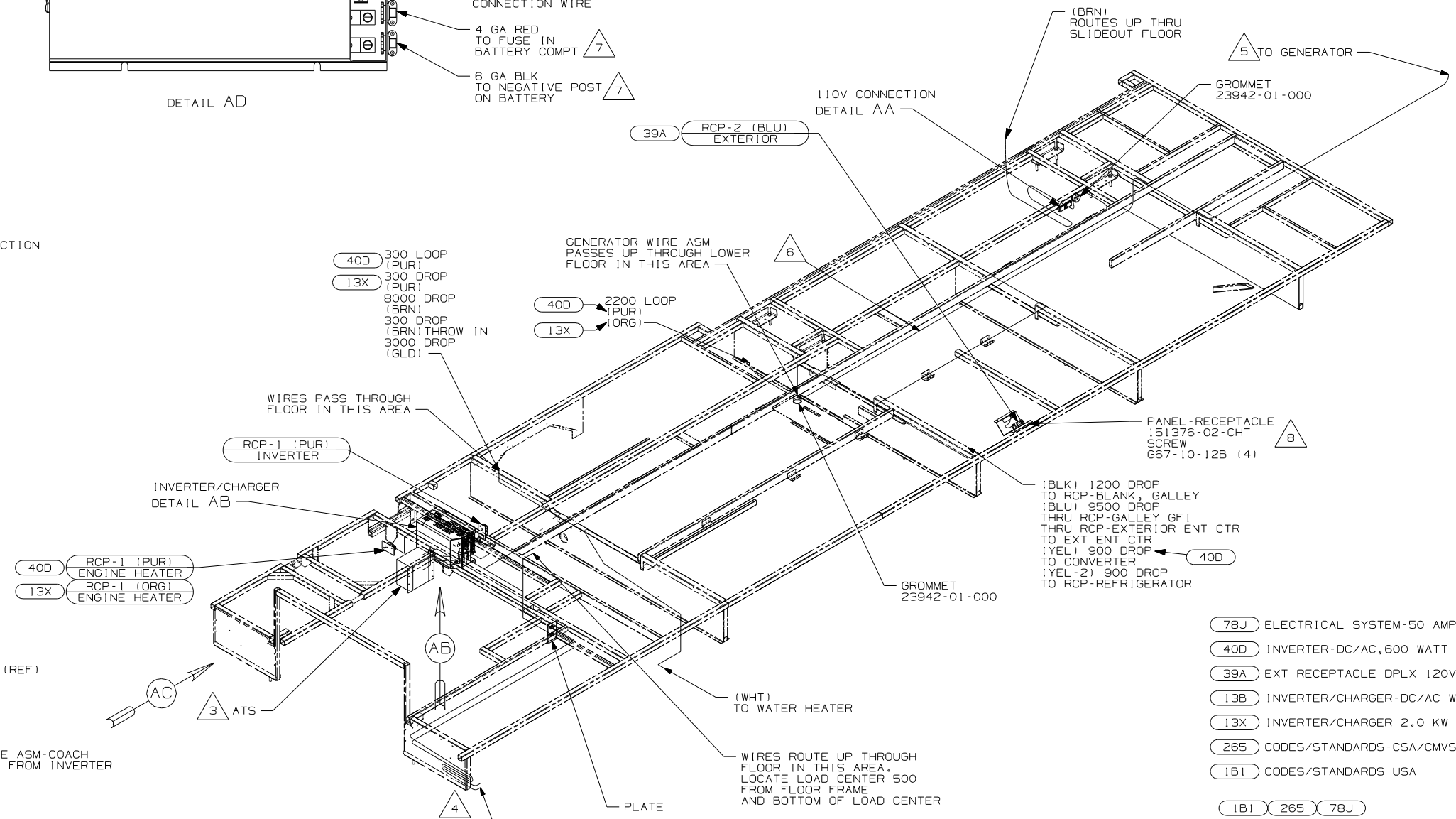
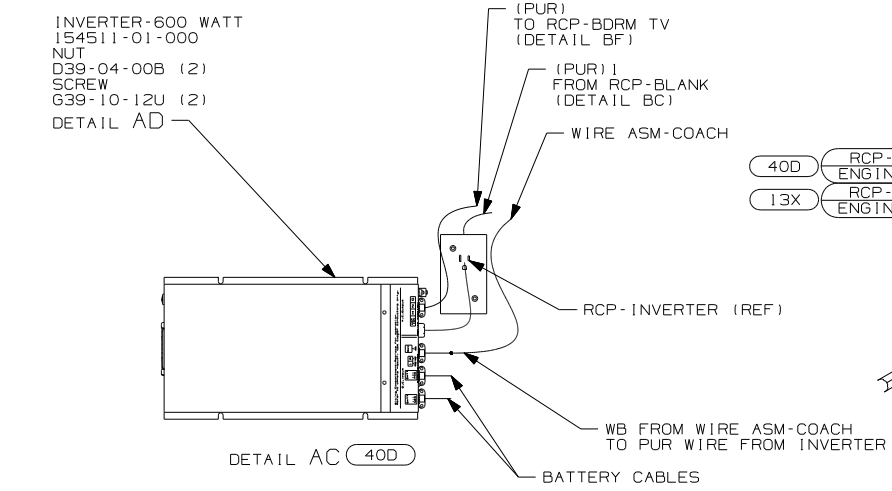
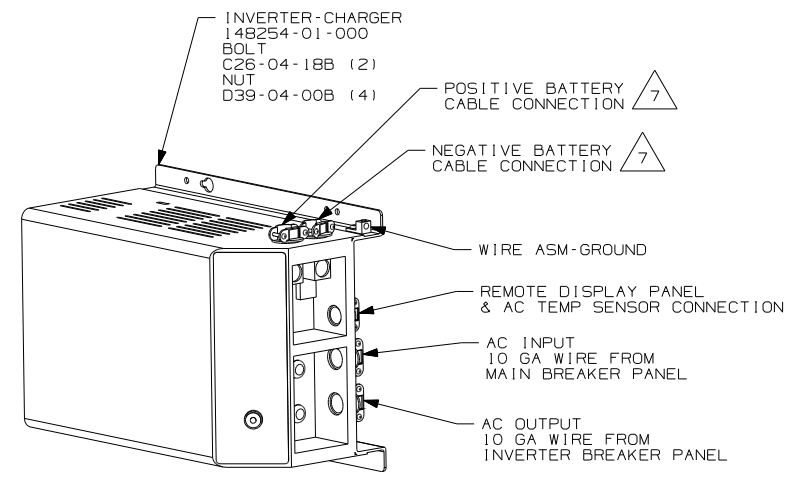
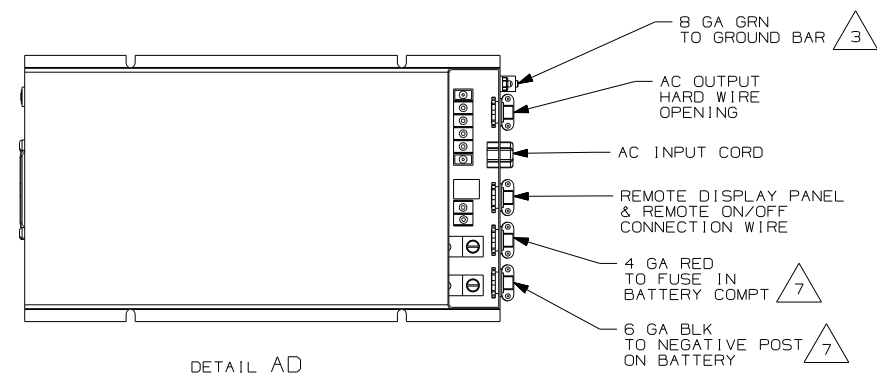


CAUTION

If you lack the skills, tools or equipment to perform diagnostic or repair work leave such work to an authorized Winnebago Industries dealer or other qualified shop.

DRAWING NO.	FEATURE
157291-01	-----
157291-12	(1B1) (78J)
157291-14	(1B1) (78J) (13X)
157291-16	(265) (78J)
157291-18	(265) (78J) (13X)

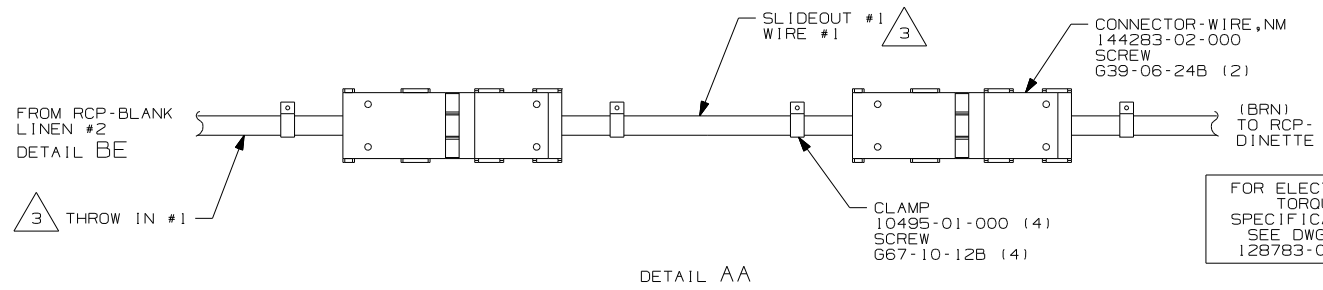
RELEASE	REV/DATE	DWG NO
	A	157291
REV ZONE	REVISION RECORD	DATE
		DFTR-0R16



- 8 SEE WIRING INSTL-BODY, 12V FOR ADDITIONAL INFORMATION.
- 7 SEE WIRING INSTL-CHASSIS FOR ADDITIONAL INFORMATION.
- 6 ROUTED ALONG CHASSIS RAIL IN THIS AREA.
- 5 SEE GENERATOR INSTALLATION FOR ADDITIONAL INFORMATION.
- 4 SEE A/C INSTALLATION FOR ADDITIONAL INFORMATION.
- 3 SEE LOAD CENTER/ATS ASM FOR ADDITIONAL INFORMATION.

2. WIRE THAT REST ON WIRE TRAYS ARE TO BE TIED DOWN WITH WIRE TIE 8343-02-000.
1. ALL WIRES TO BE SECURED WITH CLAMP 10495 OR 10497 OR WIRE TIE 8343 OR 108046 EVERY 600MM, USE SCREW G67-XX-XXX OR G56-XX-XXX AS APPROPRIATE FOR INTALLATION.

NOTES:



FOR ELECTRICAL TORQUE SPECIFICATIONS SEE DWG NO. 128783-01-000

FOR ELECTRICAL CALLOUTS SEE DWG NO. 121339-01-000

- (78J) ELECTRICAL SYSTEM-50 AMP
- (40D) INVERTER-DC/AC, 600 WATT
- (39A) EXT RECEPTACLE DPLX 120VAC
- (13B) INVERTER/CHARGER-DC/AC W/O
- (13X) INVERTER/CHARGER 2.0 KW
- (265) CODES/STANDARDS-CSA/CMVSS
- (1B1) CODES/STANDARDS USA

WINNEBAGO INDUSTRIES, INC. COPYRIGHT 2006

DFTR	ORIG. DATE
CHKR	ALL DIMENSIONS ARE IN MILLIMETERS
P.E.	
M.E.	FIRST USED
DSNR	07 P36G

UNSPECIFIED TOLERANCES ARE: MATERIAL:

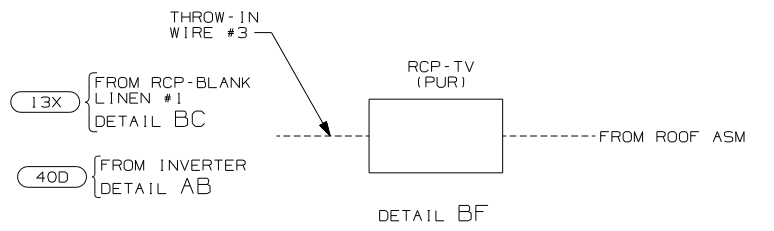
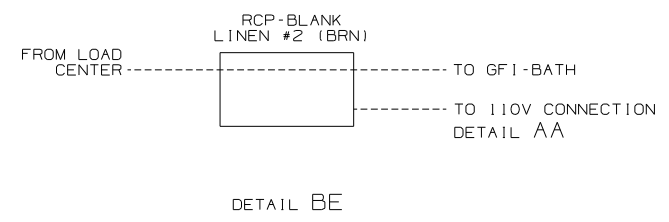
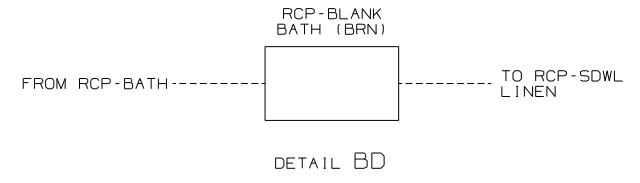
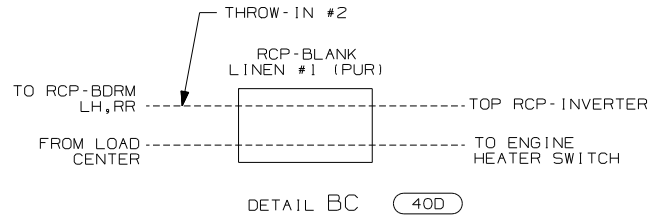
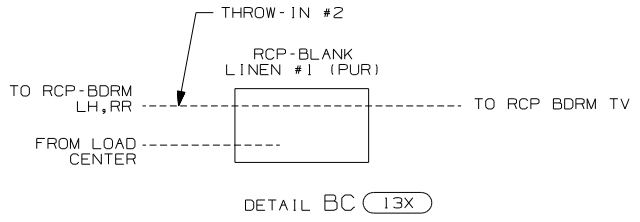
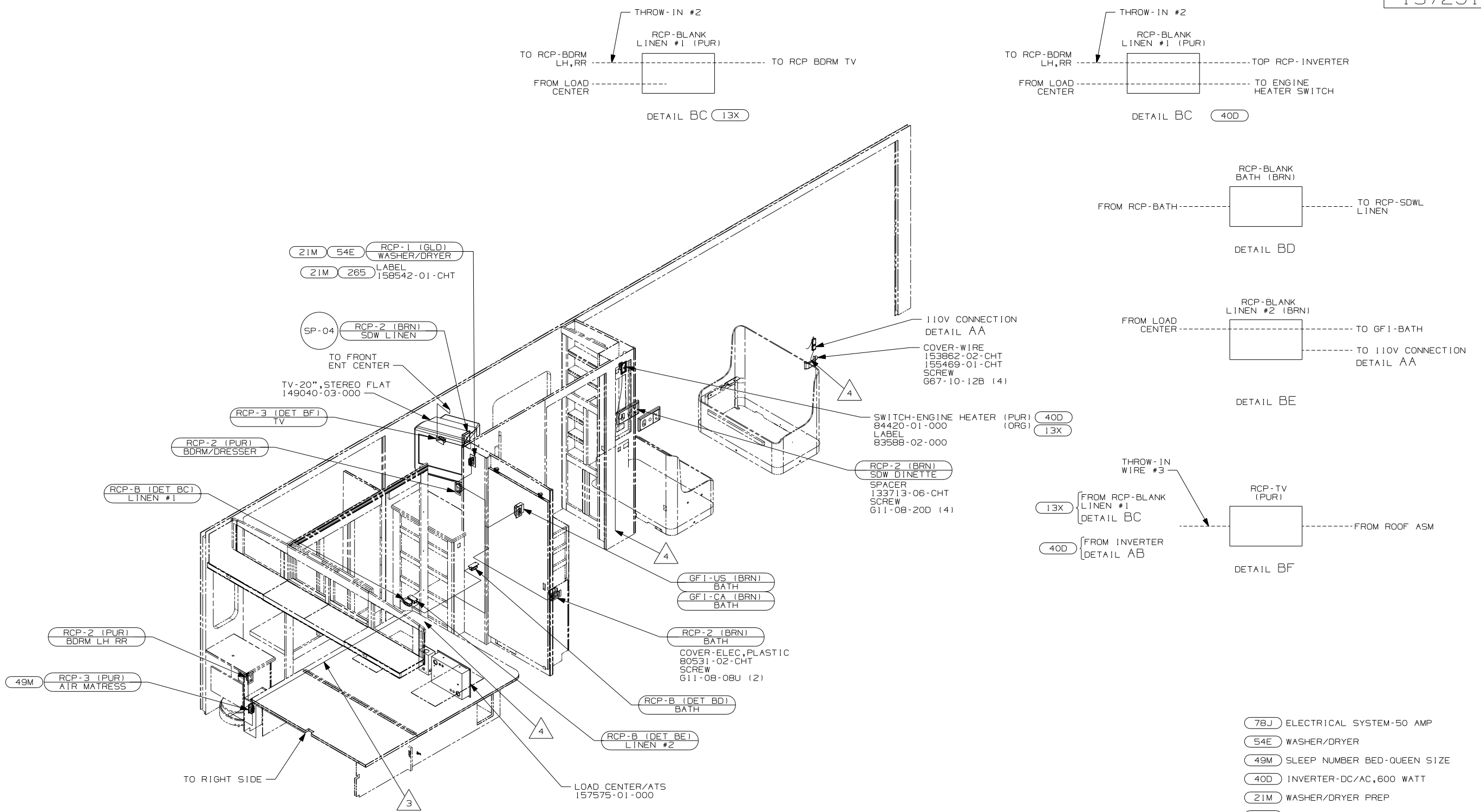
WHOLE DIM (X) :
ONE-PLACE (X.X) :
TWO-PLACE (X.XX) :
ANGLE :
THIRD ANGLE PROJECTION

DO NOT SCALE DRAWING

TITLE: WIRING INSTL-BODY, 110V

SHEET 1 OF 3 PART NO 157291 REV

REF: 1 2/5/2007



21M 54E RCP-1 (GLD) WASHER/DRYER
 21M 265 LABEL 158542-01-CHT

SP-04 RCP-2 (BRN) SDW LINEN

TV-20", STEREO FLAT 149040-03-000

RCP-3 (DET BF) TV

RCP-2 (PUR) BDRM/DRESSER

RCP-B (DET BC) LINEN #1

RCP-2 (PUR) BDRM LH RR

49M RCP-3 (PUR) AIR MATTRESS

GFI-US (BRN) BATH
 GFI-CA (BRN) BATH

RCP-2 (BRN) BATH

COVER-ELEC, PLASTIC 80531-02-CHT
 SCREW 611-08-08U (2)

RCP-B (DET BD) BATH

RCP-B (DET BE) LINEN #2

LOAD CENTER/ATS 157575-01-000

110V CONNECTION
 DETAIL AA
 COVER-WIRE 153862-02-CHT
 LABEL 155469-01-CHT
 SCREW 667-10-12B (4)

SWITCH-ENGINE HEATER (PUR) 40D
 84420-01-000 (ORG) 13X
 LABEL 83588-02-000

RCP-2 (BRN) SDW DINETTE
 SPACER 133713-06-CHT
 SCREW 611-08-20D (4)

- 78J ELECTRICAL SYSTEM-50 AMP
- 54E WASHER/DRYER
- 49M SLEEP NUMBER BED-QUEEN SIZE
- 40D INVERTER-DC/AC, 600 WATT
- 21M WASHER/DRYER PREP
- 13X INVERTER/CHARGER 2.0 KW
- 265 CODES/STANDARDS-CSA/CMVSS
- 1B1 CODES/STANDARDS USA

1B1 265 78J

- 4 WIRES ROUTE UP THRU FLOOR IN THIS AREA.
- 3 ROUTE WIRE IN FLOOR

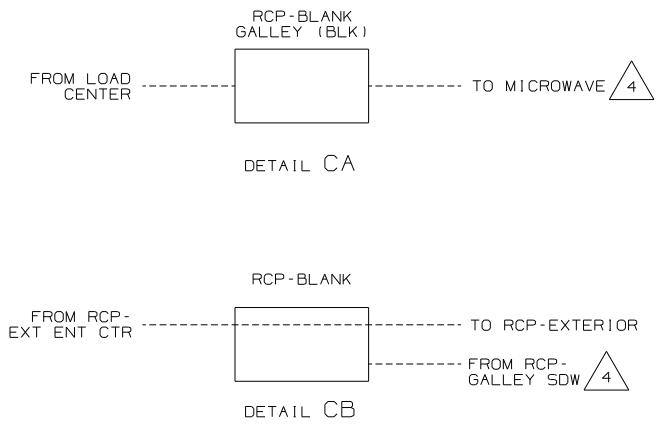
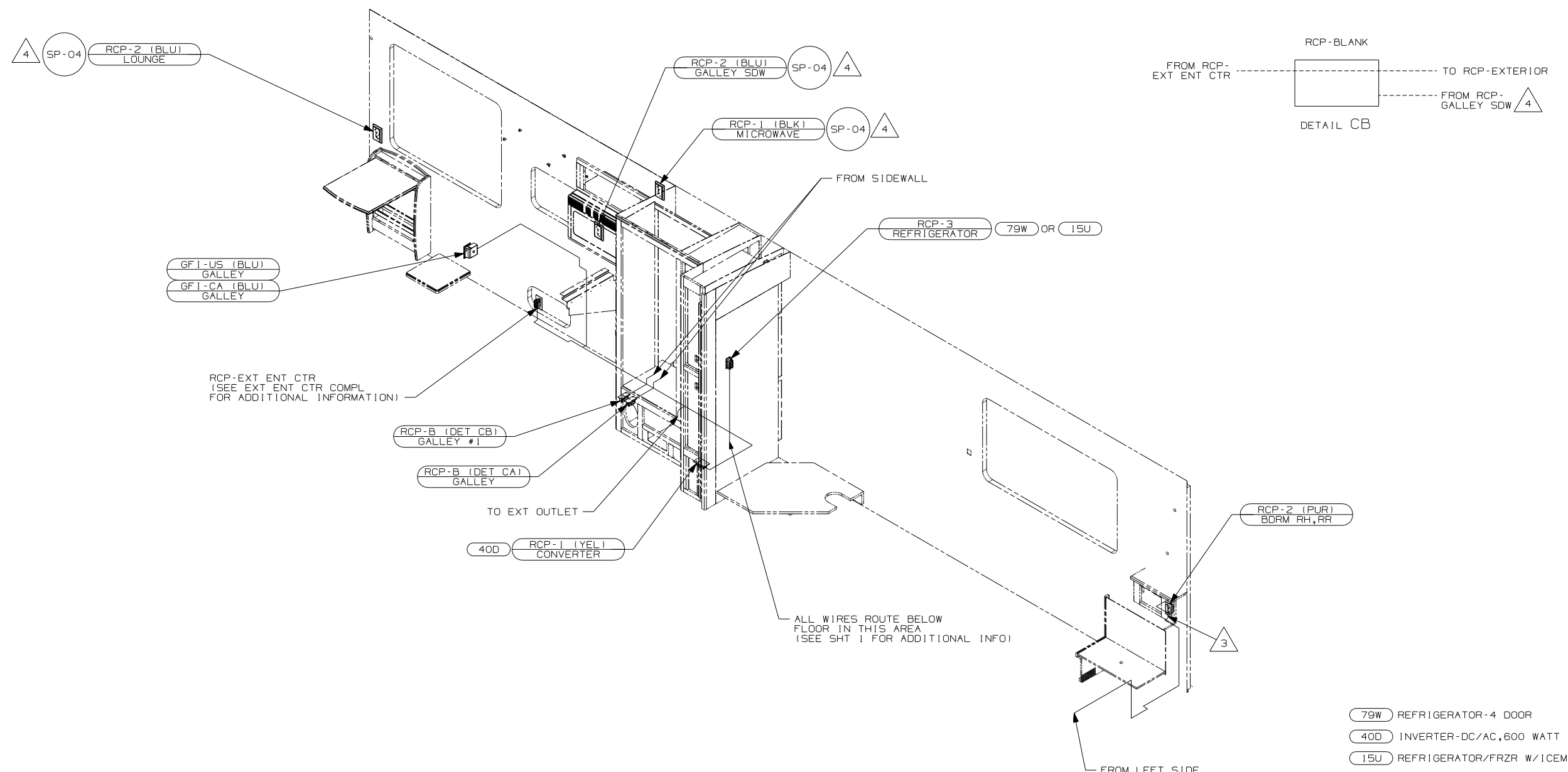
2. ALL WIRES ARE TO BE CLAMPED WITH CLAMP 10497-05-000 WITHIN 200 FO OUTLET BOXES AND SPLICES. USE SCREW 667-10-12B
1. ALL WIRES TO BE SECURED WITH CLAMP 10495 OR 10497 OR WIRE TIE 8343 OR 108046 EVERY 600MM, USE SCREW 667-XX-XXX OR G56-XX-XXX AS APPROPRIATE FOR INTALLATION.

NOTES:

FOR ELECTRICAL TORQUE SPECIFICATIONS SEE DWG NO. 128783-01-000

FOR ELECTRICAL CALLOUTS SEE DWG NO. 121339-01-000

FIRST USED	
07 P36G	
DO NOT SCALE DRAWING	
TITLE: WIRING INSTL-BODY, 110V	
SHEET 2	PART NO 157291



- 4 WIRE IN SIDEWALL
- 3 ROUTE WIRE IN SIDEWALL DURING INSTALLATION.

2. ALL WIRES ARE TO BE CLAMPED WITH CLAMP 10497-05-000. WITHIN 200 FO OUTLET BOXES AND SPLICES, USE SCREW G67-10-12B.
1. ALL WIRES TO BE SECURED WITH CLAMP 10495 OR 10497 OR WIRE TIE 8343 OR 108046 EVERY 600MM, USE SCREW G67-XX-XXX OR G56-XX-XXX AS APPROPRIATE FOR INTALLATION.

NOTES:

FOR ELECTRICAL TORQUE SPECIFICATIONS SEE DWG NO. 128783-01-000

FOR ELECTRICAL CALLOUTS SEE DWG NO. 121339-01-000

- 79W REFRIGERATOR-4 DOOR
- 40D INVERTER-DC/AC,600 WATT
- 15U REFRIGERATOR/FRZR W/ICEMAKER
- 78J ELECTRICAL SYSTEM-50 AMP
- 12D ELECTRICAL SYSTEM 30 AMP
- 265 CODES/STANDARDS-CSA/CMVSS
- 1B1 CODES/STANDARDS USA

1B1	265	12D	78J
FIRST USED			
07 P36G			
DO NOT SCALE DRAWING			
TITLE:			
WIRING INSTL-BODY, 110V			
SHEET 3	PART NO	157291	REV