



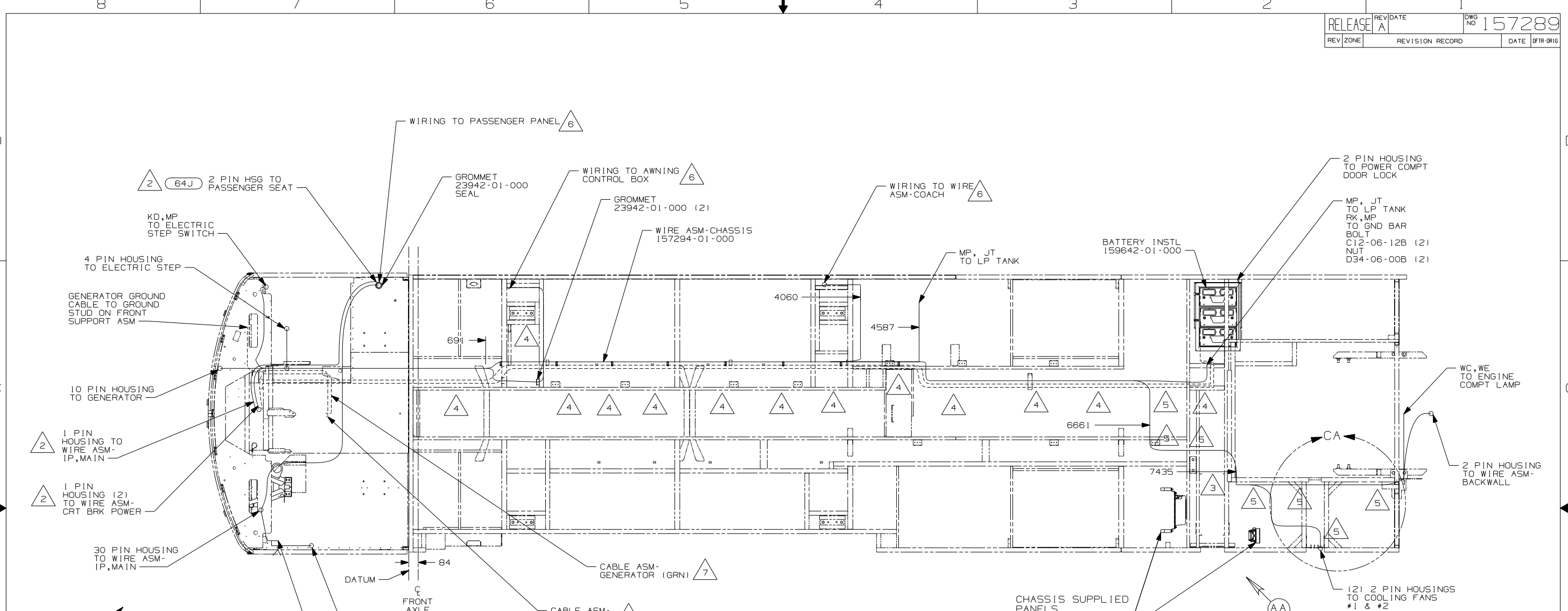
DANGER

Danger of electrical shock, burns or death. Always remove all power sources before attempting any repair, service or diagnostic work. Power can be present from shore power, generator, inverter or battery. All power sources must be disabled and secured before performing any service.

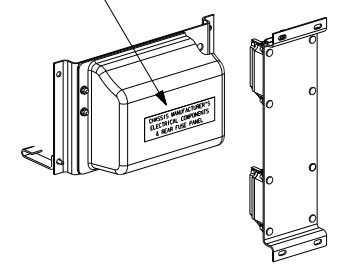


CAUTION

If you lack the skills, tools or equipment to perform diagnostic or repair work leave such work to an authorized Winnebago Industries dealer or other qualified shop.



LABEL ELECTRICAL BOX 98379-06-000



VIEW AA

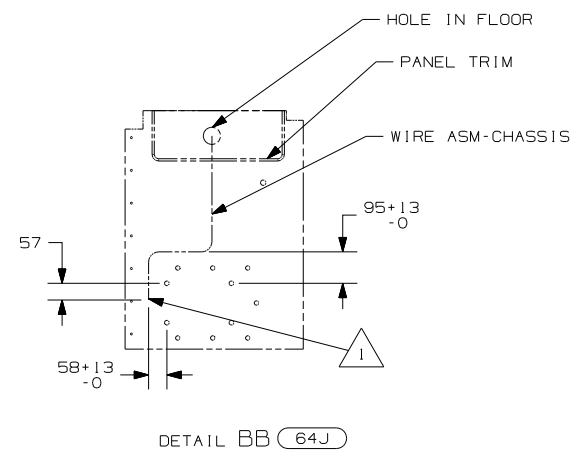
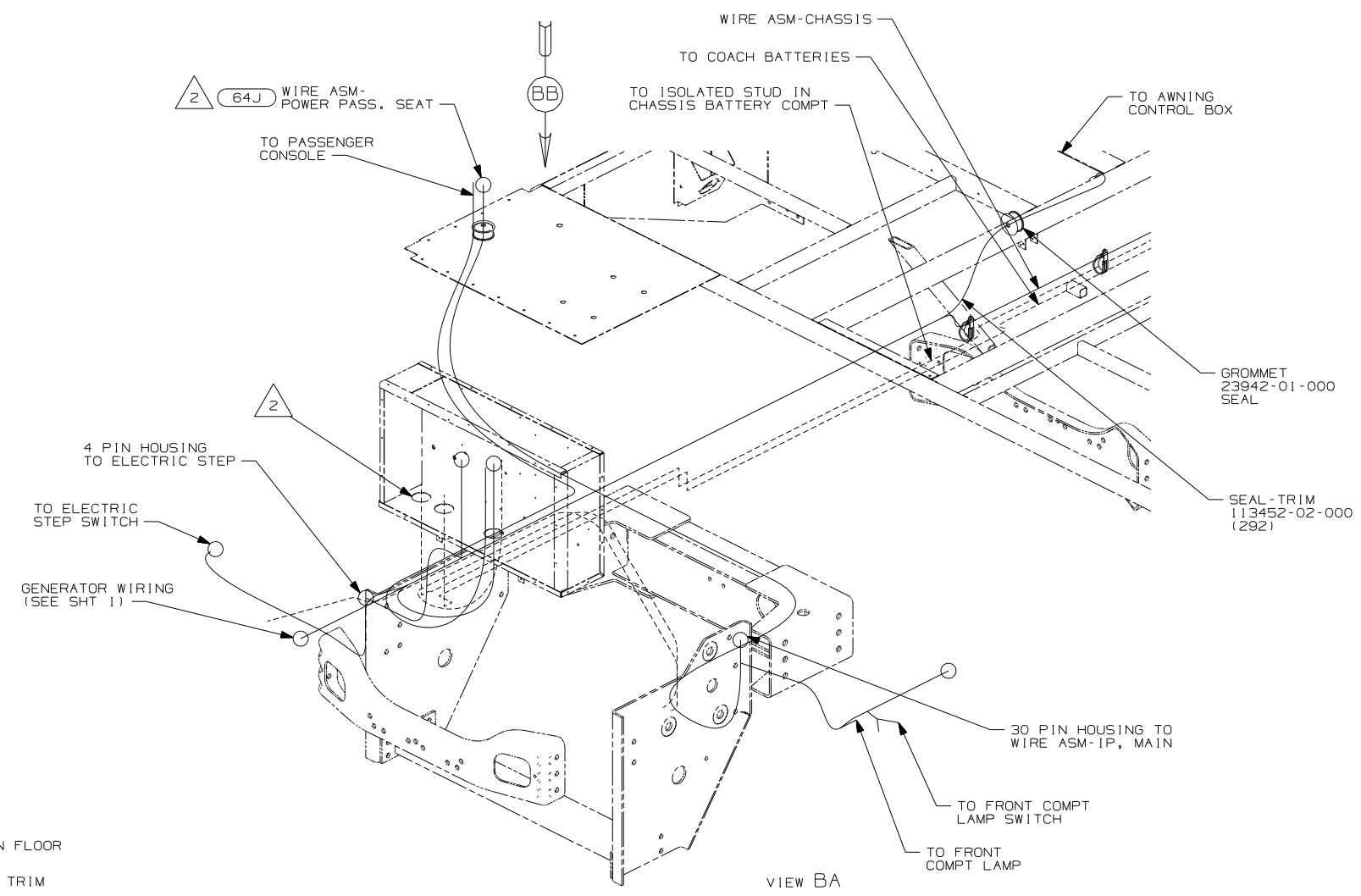
- (IFS) FRTL 330HP 7.2L 6SPD AL WHLS
 - (IFA) FRTL 27,910 300 5.9L 5-SP
 - (64J) SEAT PED-6-WAY DR/PASS POWER
 - (265) CODES/STANDARDS-CSA/CMVSS
 - (1B1) CODES/STANDARDS USA
- (1B1) (265) (IFA) (IFS)

- (7) SEE BATTERY INSTL FOR ADDITIONAL INFORMATION.
- (6) SEE WIRE ASM-CHASSIS FOR ADDITIONAL INFORMATION.
- (5) CLAMP 10497-03-000, SCREW G39-08-12B
- (4) CLAMP 83610-01-000, SCREW G11-10-16B
- (3) USE WIRE-TIE 8343-02-000 TO SECURE WIRES TO FLOOR SUPPORT FRAME AT LEAST ONCE EVERY 600MM.
- (2) SEE WIRING INSTL-FRONT END FOR ADDITIONAL INFORMATION.

1. LEGEND: — WINNEBAGO: - - - - - CABLE: - - - - - CHASSIS SUPPLIED WIRING.

NOTES:

COPYRIGHT 2006 WINNEBAGO INDUSTRIES, INC.	
DFT/	ORIG. DATE
CHKR	ALL DIMENSIONS ARE IN MILLIMETERS
P.E.	
M.E.	FIRST USED
DSNR	07 P36G
UNSPECIFIED TOLERANCES ARE:	MATERIAL:
WHOLE DIM (X) :	
ONE-PLACE (X.X) :	
TWO-PLACE (X.XX) :	
ANGLE :	
THIRD ANGLE PROJECTION	
DO NOT SCALE DRAWING	
TITLE: WIRING INSTL-CHASSIS	
SHEET 1 OF 3	PART NO 157289 REV
REF:	1 2/5/2007



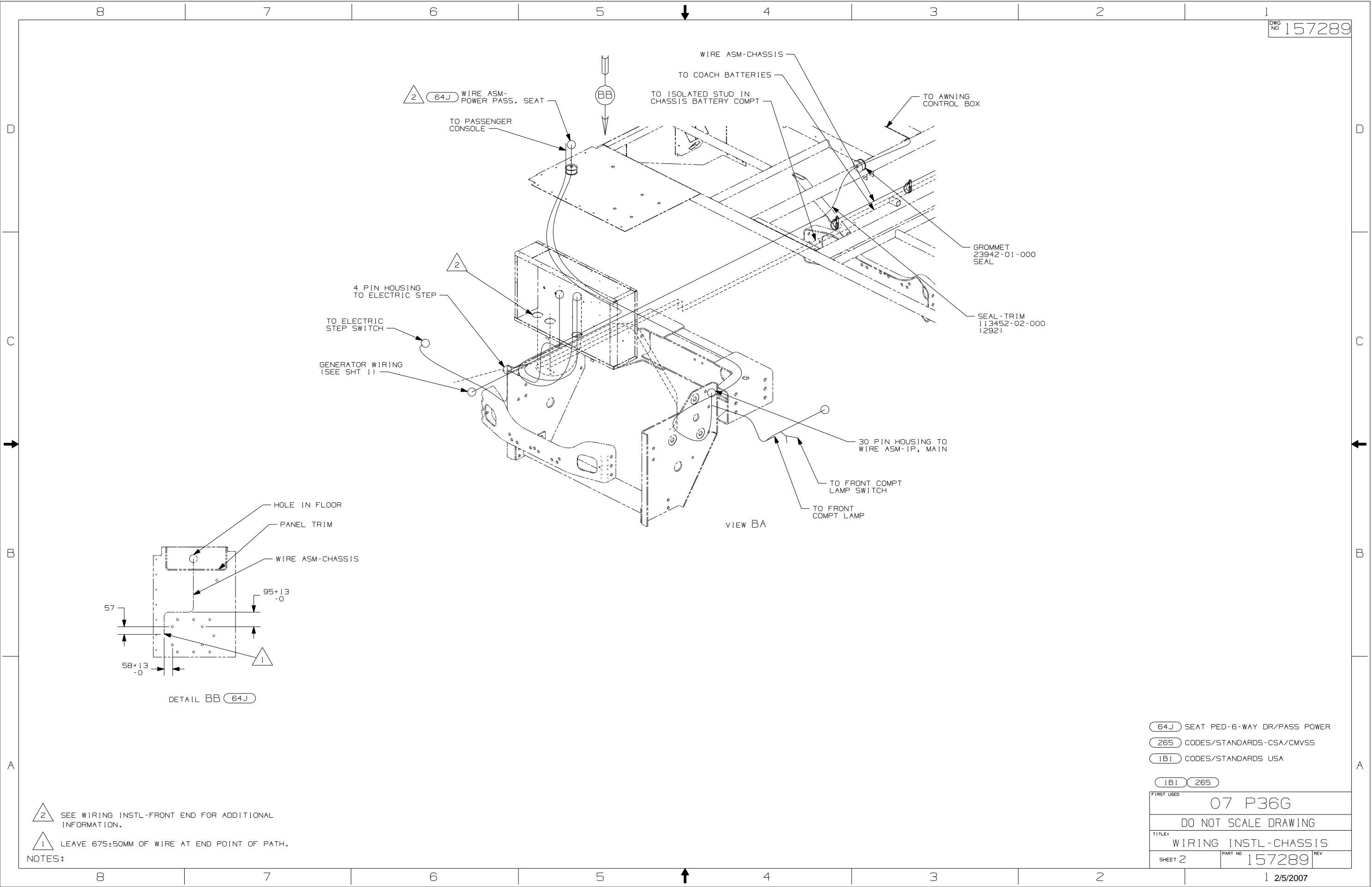
- (64J) SEAT PED-6-WAY DR/PASS POWER
- (265) CODES/STANDARDS-CSA/CMVSS
- (1B1) CODES/STANDARDS USA

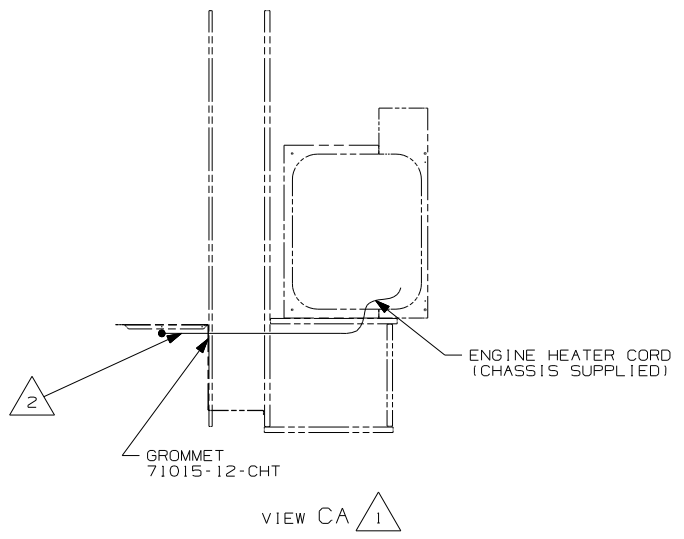
FIRST USED		07 P36G	
DO NOT SCALE DRAWING			
TITLE: WIRING INSTL-CHASSIS			
SHEET 2	PART NO	157289	REV

NOTES:

2 SEE WIRING INSTL-FRONT END FOR ADDITIONAL INFORMATION.

1 LEAVE 675±50MM OF WIRE AT END POINT OF PATH.





- △ 2 ENGINE HEATER CORD MUST PASS THRU COMPT AT LEAST 250MM TO PLUG INTO RECEPTACLE.
- △ 1 SECURE CORD AWAY FROM ALL MOVING PARTS AND EXHAUST WITH WIRE-TIE 93147-01-000 AS REQUIRED.

NOTES:

265 CODES/STANDARDS -CSA/CMVSS

1B1 CODES/STANDARDS USA

1B1 265

FIRST USED		07 P36G	
DO NOT SCALE DRAWING			
TITLE: WIRING INSTL-CHASSIS			
SHEET 3	PART NO	157289	REV