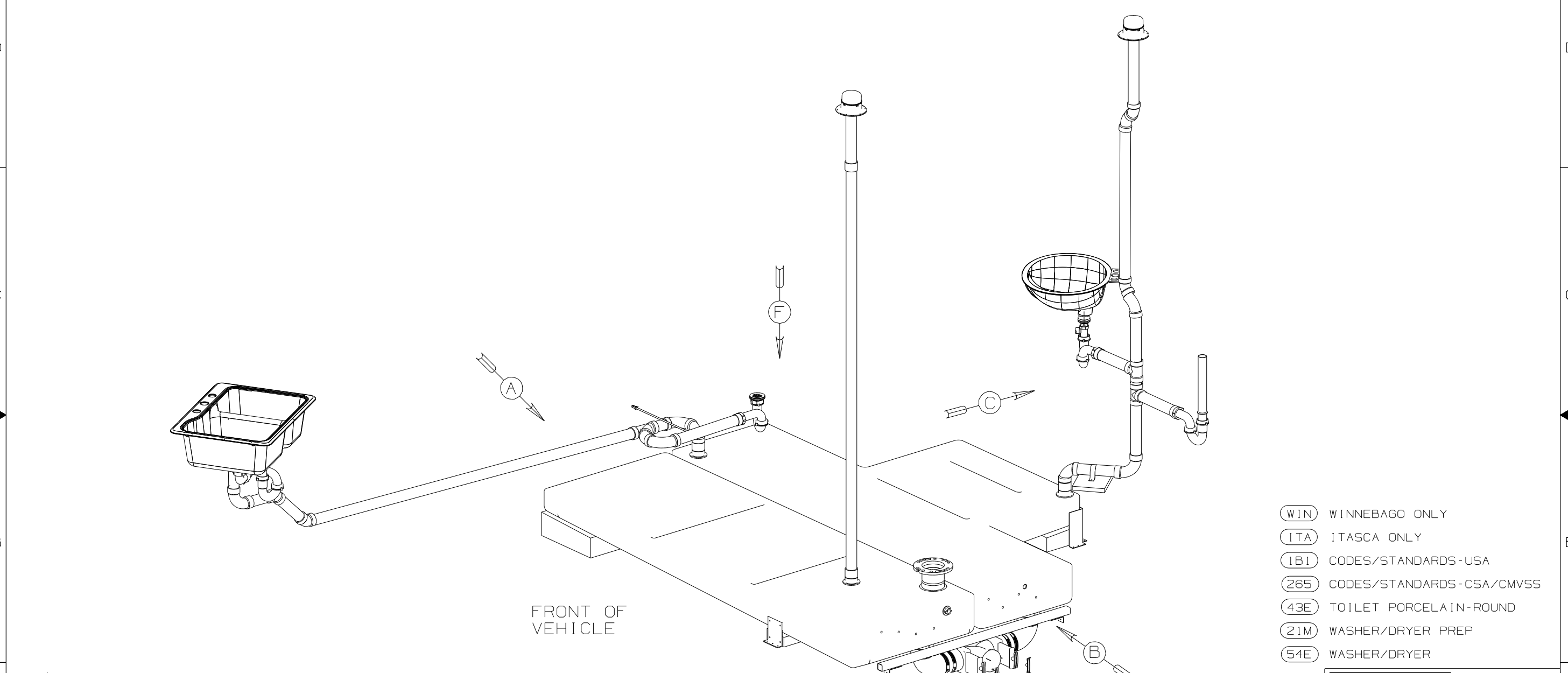


DWG NO	---
156887-01	(WIN)
156887-02	(ITA)

RELEASE	REV DATE	DWG NO
A		156887
REV ZONE	REVISION RECORD	DATE
		DFTR-016



- (WIN) WINNEBAGO ONLY
- (ITA) ITASCA ONLY
- (IB1) CODES/STANDARDS-USA
- (265) CODES/STANDARDS-CSA/CMVSS
- (43E) TOILET PORCELAIN-ROUND
- (21M) WASHER/DRYER PREP
- (54E) WASHER/DRYER

- (B) FASTEN TO BOTTOM OF UPPER FLOOR.
 (7) VENT PIPE MUST PROJECT 51 MIN AND 63.5 MAX ABOVE ROOF FOR PROPER FIT AND FUNCTION.
 6. SEE DWG 61607-01-000 FOR INSTL OF GROMMETS
 5. SEAL AROUND SHOWER WITH SILICONE.
 4. ALL EXTERIOR OPENINGS AROUND PIPE TO BE SEALED WITH 110744-01-000.
 3. ALL PIPE AND FITTINGS TO BE ASSEMBLED WITH SOLVENT 4020-01-000.
 2. SLOPE OF TRAP ARM MUST BE 6 PER 305 MM.
 1. SLOPE OF HORIZONTAL PIPING TO BE 6 PER 305 MM.

NOTES:

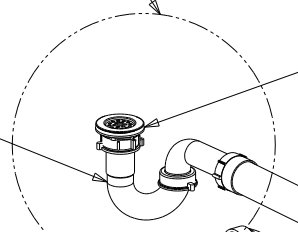
(X-X)
 FOR DRAINAGE CALLOUTS
 SEE DWG NO 116229-01-000

WINNEBAGO		COPYRIGHT 2007 WINNEBAGO INDUSTRIES, INC.	
DFTR	ORIG. DATE	ALL DIMENSIONS ARE IN MILLIMETERS	
CHKR		FIRST USED	
P.E.		07 P36G	
M.E.		UNSPECIFIED TOLERANCES ARE:	
DSNR		MATERIAL:	
		WHOLE DIM (X)	: 7
		ONE-PLACE (X.X)	:
		TWO-PLACE (X.XX)	:
		ANGLE	:
THIRD ANGLE PROJECTION		DO NOT SCALE DRAWING	
TITLE: DRAINAGE SYSTEM INSTL			
SHEET 1 OF 3	PART NO	156887	REV
REF1	1 2/6/2007		

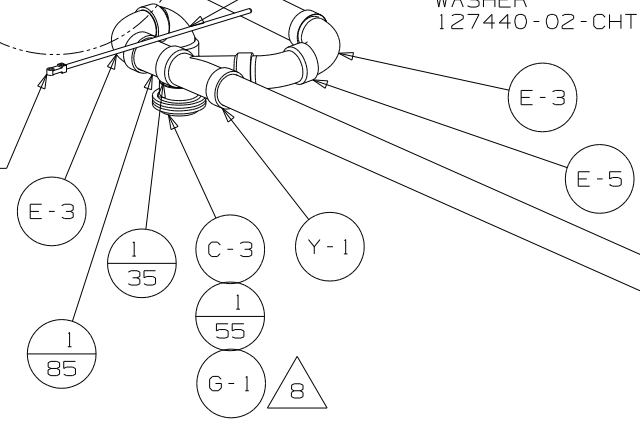
- WIN WIN WIN
- IB1 265 IB1
- A-15 P-3 P-1

- SHOWER INSTL
147869-02-000 (WIN)
- STRAINER
66440-01-000
- SEALER
69640-01-000
- NUT
130403-01-000
- TAILPIECE
11069-06-000
- WASHER
127440-02-CHT

DETAIL D



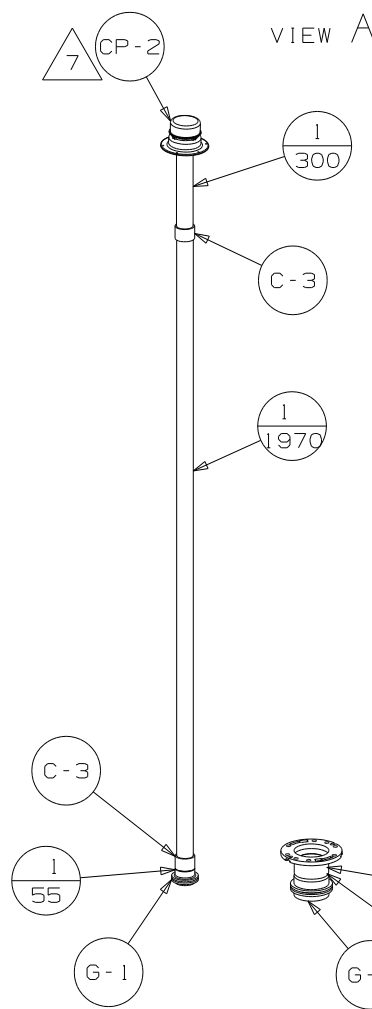
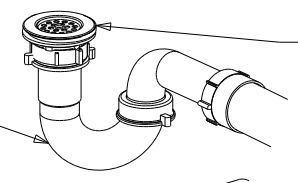
15" WIRE TIE W/HOLE
108046-02-000



- IB1 P-1
- 265 P-3
- IB1 A-15

- SHOWER INSTL
142018-01-000
- STRAINER
66440-01-000
- SEALER
69640-01-000
- NUT
130403-01-000
- TAILPIECE
11069-06-000
- WASHER
127440-02-CHT

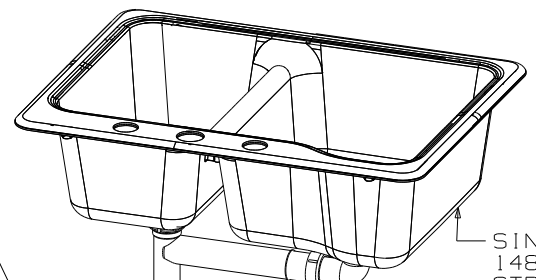
DETAIL D
(ITA)



- TOILET
160815-01-CHT
- SCREW
87721-01-000 (8)

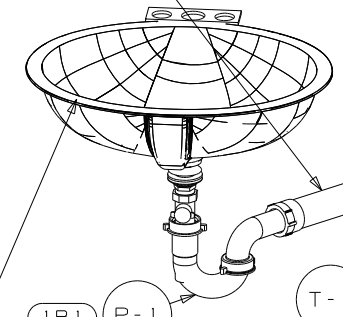
VIEW B

- 265 1/240
- IB1 1/140
- VM-1
- T-1
- E-1 1/200
- E-1 1/145
- E-1 1/130
- E-1
- E-6



- SINK-GALLEY
148870-01-CHT
- STRAINER
92303-01-000 (2)
- SEAL
91255-02-000 (A/R)
- ANGLE-FORMED
140002-01-CHT (10)
- SCREW
G67-10-08B (8)

- 265 1/150
- IB1 1/225



- SINK
155318-01-CHT
- ANGLE
153338-02-CHT (10)
- SCREW
G67-08-10U (20)
- TAILPIECE
(SUPPLIES W/FAUCET)

- IB1 P-1
- 265 P-3
- IB1 A-15

- 54E 21M
- PIPE-STAND
130234-01-000
- PLUG
61420-10-000
- 21M

- IB1 P-1
- 265 P-3
- IB1 A-15
- IB1 265
- 54E 21M
- IB1 21M
- 21M 54E
- IB1 21M
- 54E

- PLYWOOD
860-51-186
- STRAP-CONDUIT, 2"
8406-01-000

VIEW C

FIRST USED	07 P36G		
TITLE	DO NOT SCALE DRAWING		
	DRAINAGE SYSTEM INSTL		
SHEET 2	PART NO	156887	REV

8 7 6 5 4 3 2 1

D

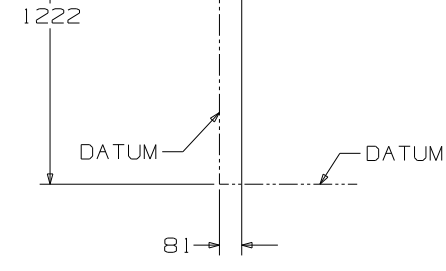
C

B

A

FRONT AXLE

OF VEHICLE



PLATFORM ASM
126714-35-000

PLATFORM ASM
126714-34-000

PLYWOOD
852-51-630
(150 X 152)

BRACKET
94756-02-CHT (4)
SCREW
G39-10-10T (20)

PLATFORM ASM
126714-36-000

BRACKET-HOLDING TANK
126796-05-CHT

TANK-HOLDING
132407-16-000

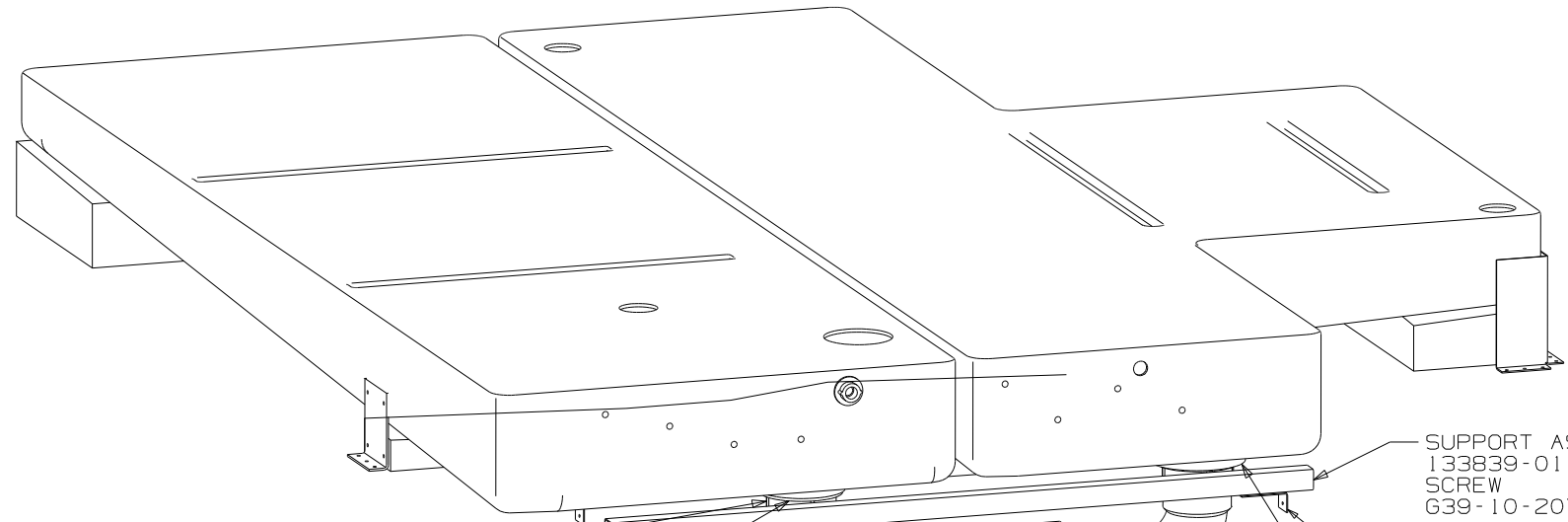
TANK-HOLDING
132408-20-000

4076

4817

160

VIEW F



SUPPORT ASM-HOLDING TANK
133839-01-CHT (2)
SCREW
G39-10-20T (2)

ANGLE-FORMED
132871-03-CHT (2)
SCREW
G39-10-20T (2)
G39-10-12T (2)

CLAMP-HOSE
62401-09-000 (2)

N-3

E-18

2/75

C-2

H-1

V-11

2/75

C-2

N-3

E-18

VALVE
144728-01-000
CLAMP-HOSE
62401-09-000
LABEL-DRIP VALVE
147845-01-CHT

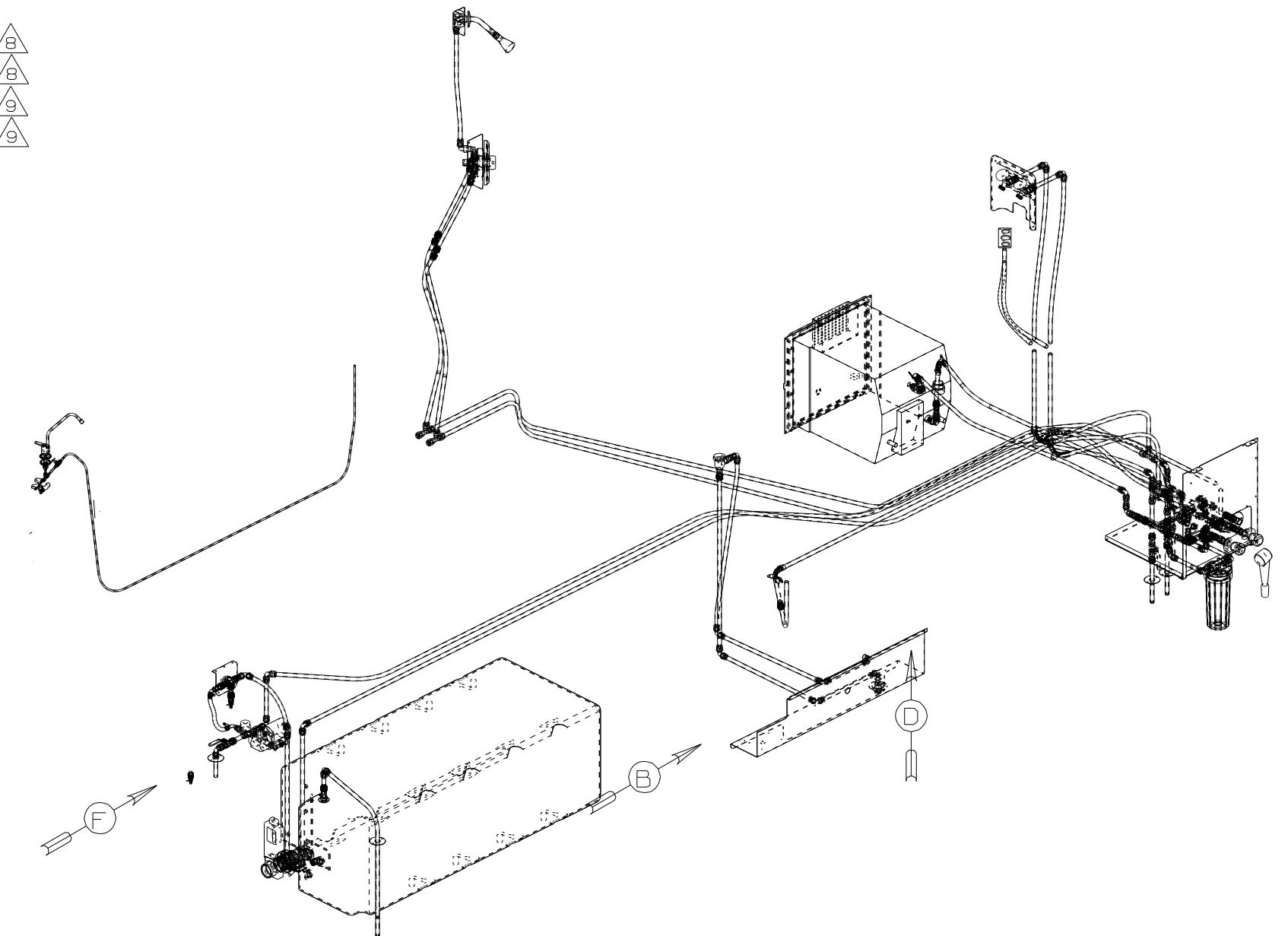
VIEW E

FIRST USED	07 P36G
TITLE	DO NOT SCALE DRAWING
TITLE	DRAINAGE SYSTEM INSTL
SHEET 3	PART NO 156887 REV

8 7 6 5 4 3 2 1

DWG NO	---	
156839-01	(WIN)	△8
156839-02	(ITA)	△8
156839-03	(WIN)	△9
156839-04	(ITA)	△9

RELEASE	REV DATE	DWG NO
A		156839
REV ZONE	REVISION RECORD	DATE DFR-0R16



- (WIN) WINNEBAGO ONLY
- (ITA) ITASCA ONLY
- (21M) WASHER/DRYER
- (54E) WASHER/DRYER PREP
- (53E) WATER SYS WINTERIZATION PKG
- (79W) REFRIGERATOR-4 DOOR
- (15U) REFRIGERATOR/FRZR W/ICEMAKER
- (144) REFRIGERATOR-DOUBLE DOOR
- (43A) SHOWER HEAD FIXED
- (43H) SHOWER HEAD-HAND HELD
- (9B1) SHOWER PACKAGE
- (29B) WATER PURIFIER

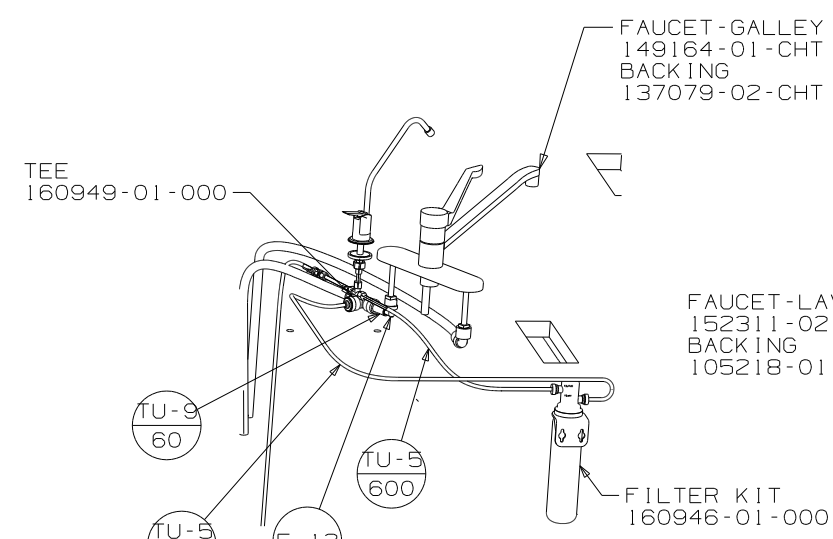
FRONT
OF
COACH

- △9 P365G ONLY.
- △8 P36G ONLY.
- 7. ADD PIPE WRAP INSULATION (LADDER SCRAP 110157-02-000).
- 6. ADD TEFLON TAPE 10405-03-000 TO FITTING.
- 5. ADD TEFLON TAPE 10405-02-000 TO FITTING.
- 4. ADD TEFLON TAPE 10405-01-000 TO FITTING.
- 3. ALL TUBING TO BE SECURED AT 1200 INTERVALS MAXIMUM WITH CLAMP 10495-01-000 OR CLIP 9151-01-000 AND SCREW G67-10-12B.
- 2. TUBING TO BE INSTALLED WITH SUFFICIENT SLOPE TO PROVIDE DRAINAGE TO NEAREST VALVE.
- 1. PLASTIC FITTINGS TO BE SEALED WITH SEALANT 84456-01-000.

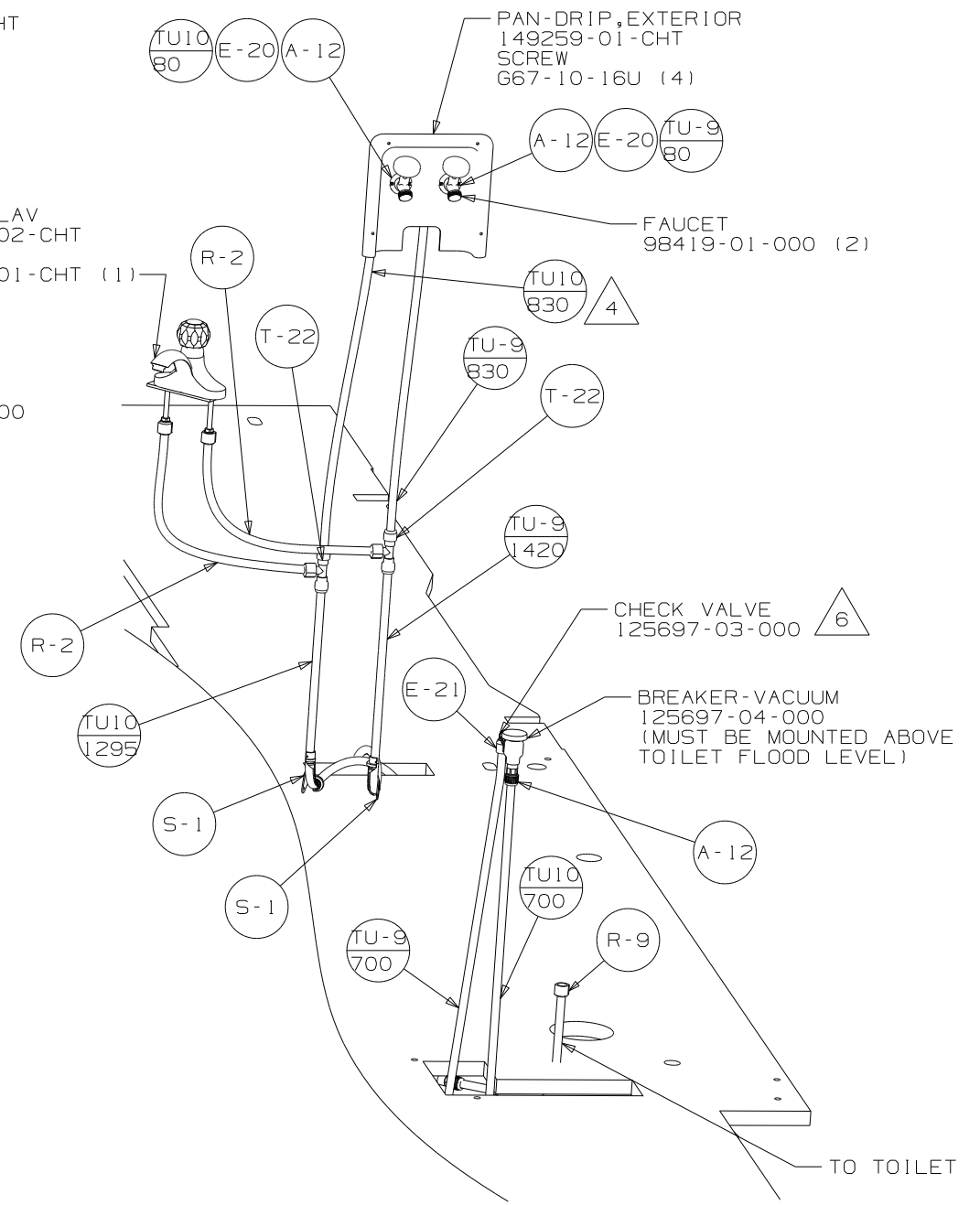
NOTES:

WINNEBAGO		COPYRIGHT 2007 WINNEBAGO INDUSTRIES, INC.	
DFTR	ORIG. DATE	ALL DIMENSIONS ARE IN MILLIMETERS	
CHKR		FIRST USED	
P.E.		07 P36G	
M.E.		UNSPECIFIED TOLERANCES ARE:	
DSNR		MATERIAL:	
		WHOLE DIM (X) :	7
		ONE-PLACE (X.X) :	
		TWO-PLACE (X.XX) :	
		ANGLE :	
THIRD ANGLE PROJECTION		DO NOT SCALE DRAWING	
TITLE: WATER SYSTEM INSTL			
SHEET 1 OF 5	PART NO	156839	REV
REF:	1 1/4/2007		

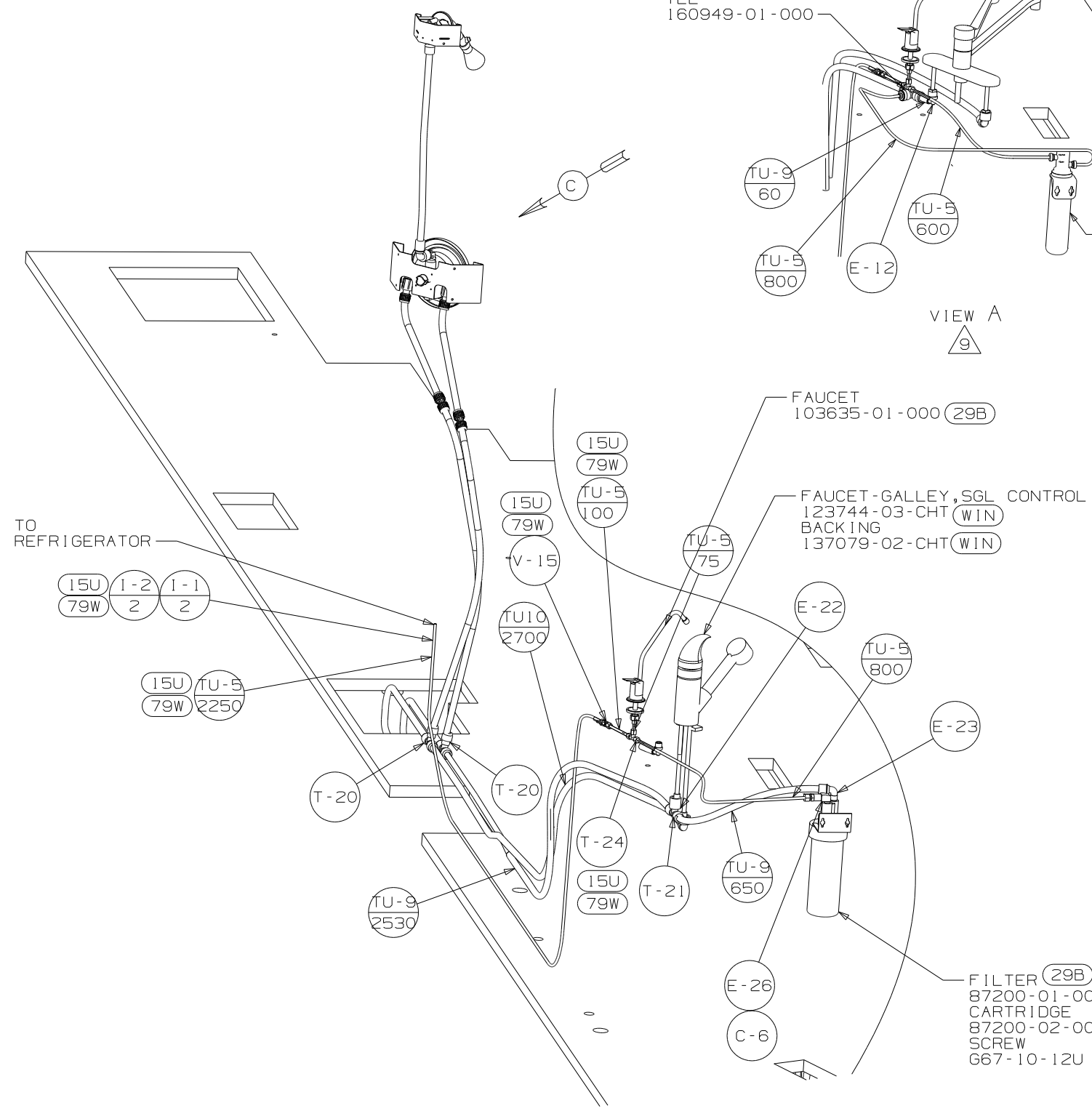
X-X
FOR
WATER
CALLOUTS
SEE DWG NO.
116230-01-000



VIEW A
9

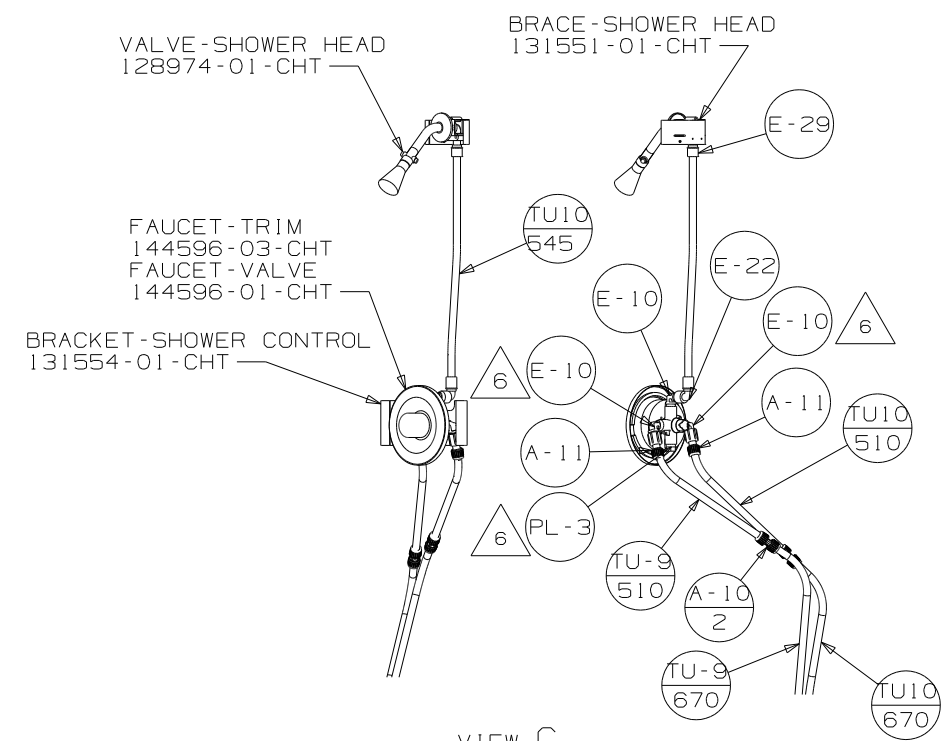


VIEW B

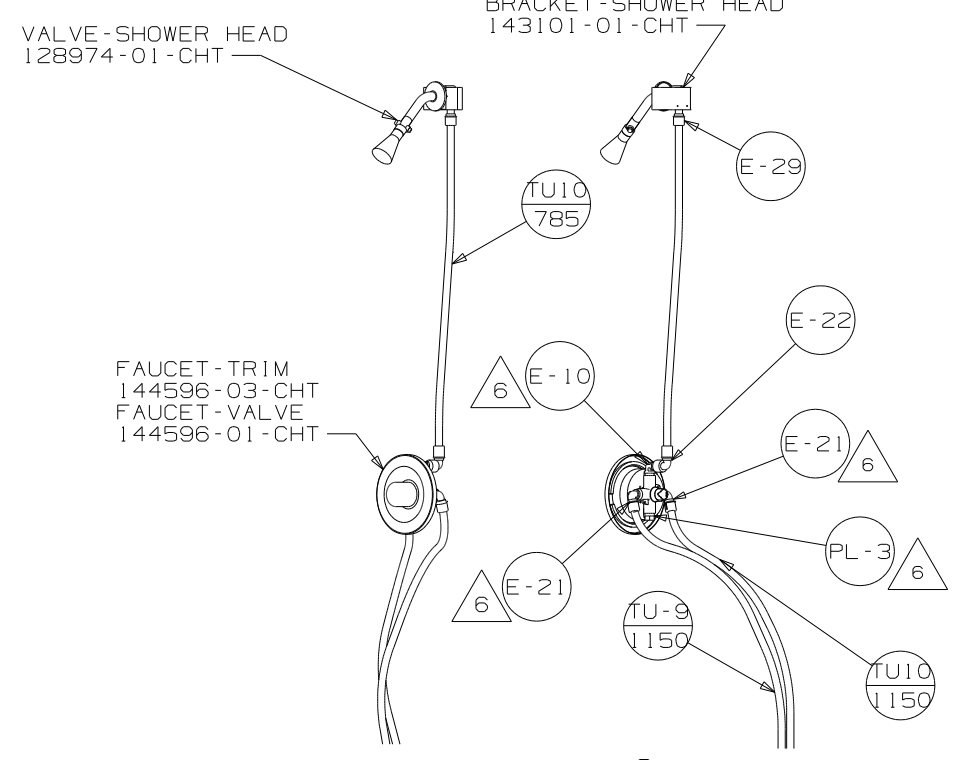


VIEW A
8

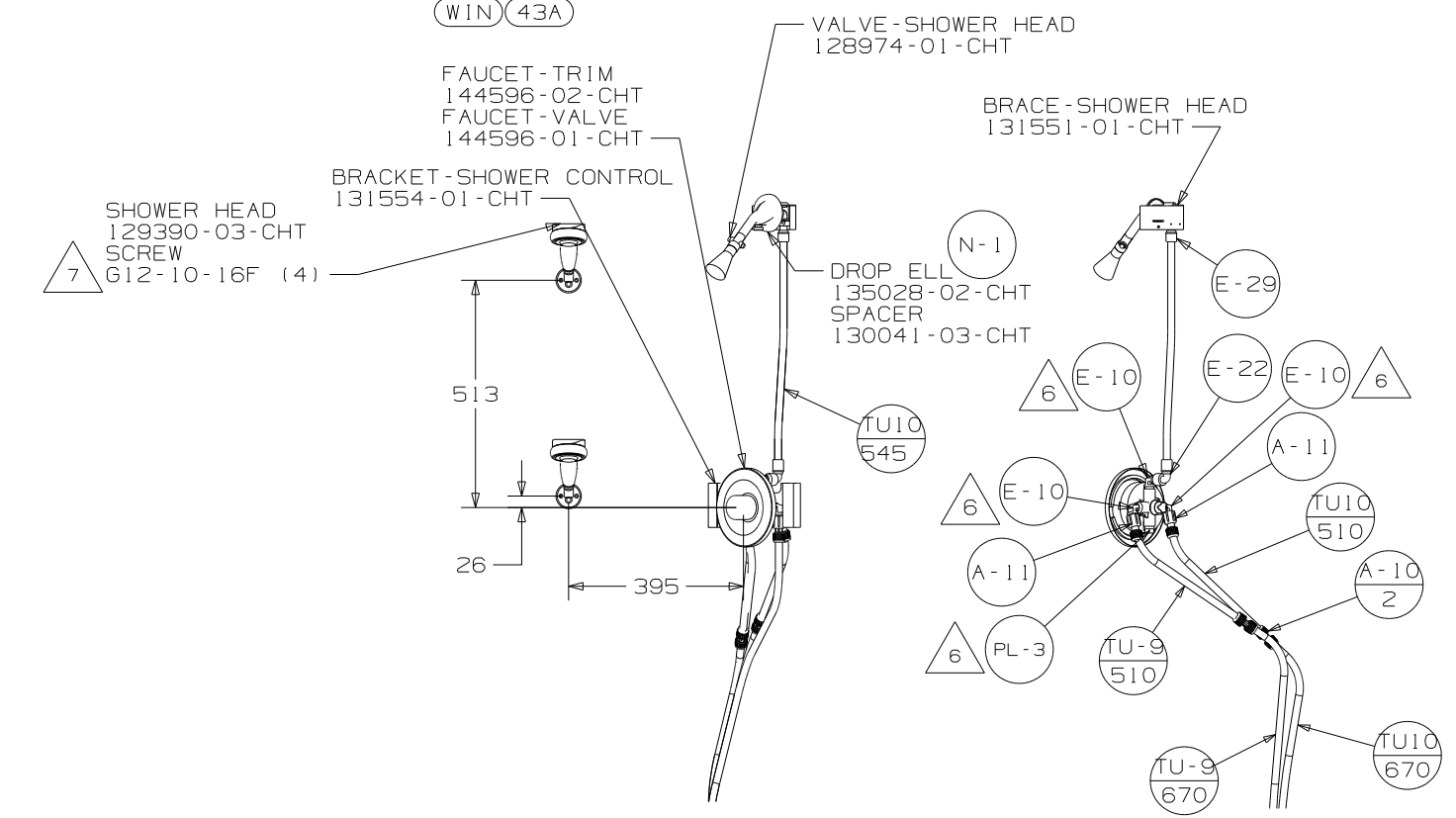
FIRST USED	07 P36G		
TITLE	DO NOT SCALE DRAWING		
	WATER SYSTEM INSTL		
SHEET 2	PART NO	156839	REV



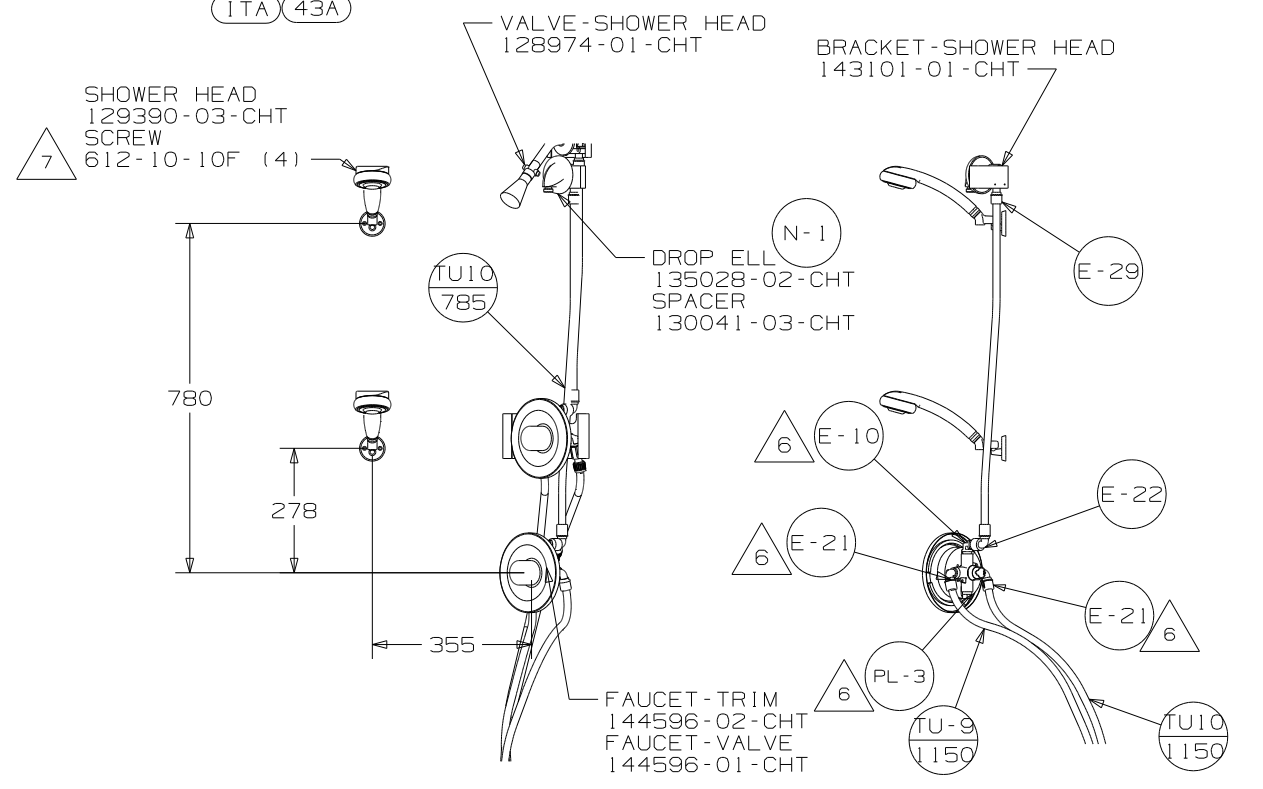
VIEW C
WIN 43A



VIEW C
ITA 43A

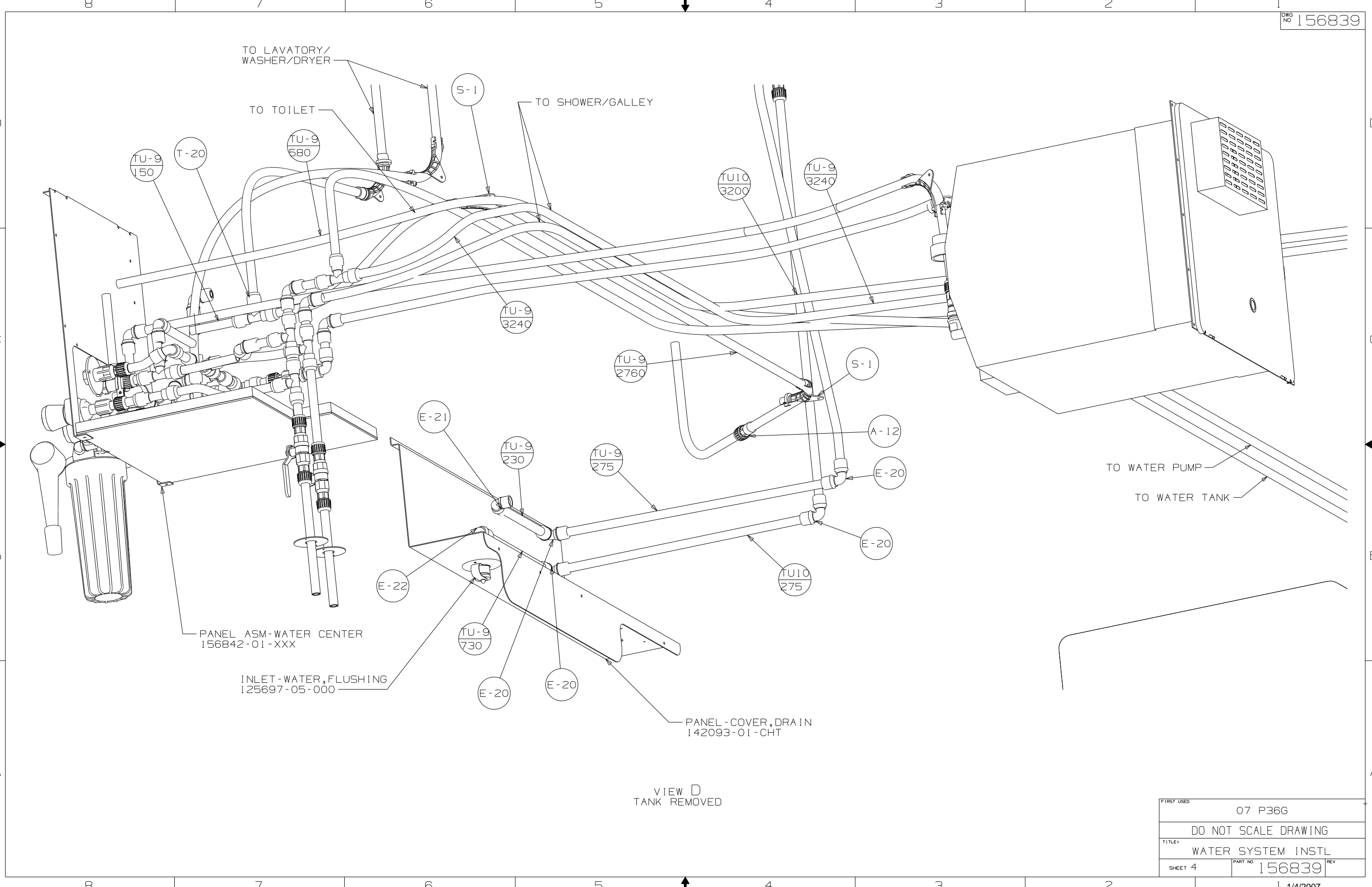


VIEW C
WIN 43H



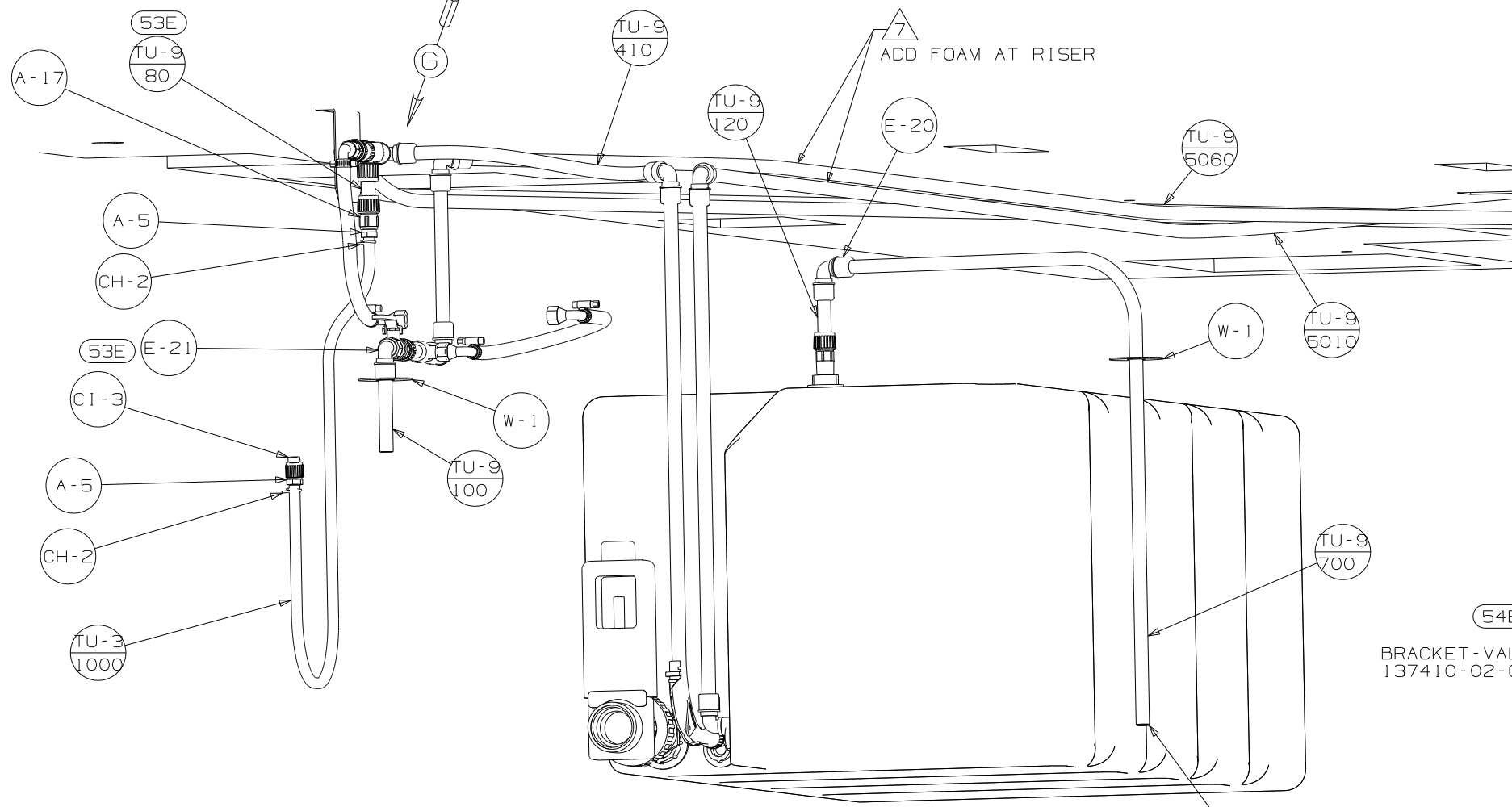
VIEW C
ITA 43H

FIRST USED	07 P36G		
TITLE	DO NOT SCALE DRAWING		
TITLE	WATER SYSTEM INSTL		
SHEET 3	PART NO	156839	REV

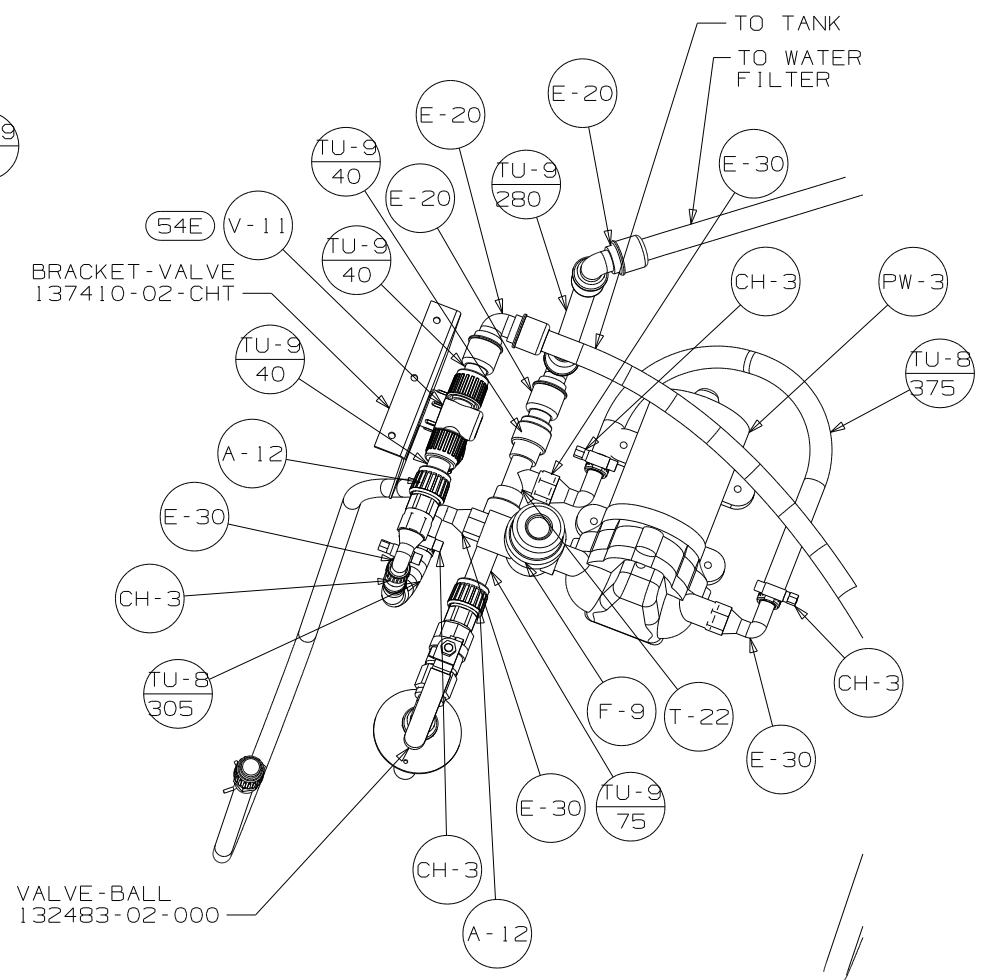


VIEW D
TANK REMOVED

FIRST USED	07 P36G		
TITLE	DO NOT SCALE DRAWING		
	WATER SYSTEM INSTL		
SHEET 4	PART NO	156839	REV



VIEW F



VIEW G

FIRST USED	07 P36G		
TITLE	DO NOT SCALE DRAWING		
TITLE	WATER SYSTEM INSTL		
SHEET 5	PART NO	156839	REV