



DANGER

Danger of electrical shock, burns or death. Always remove all power sources before attempting any repair, service or diagnostic work. Power can be present from shore power, generator, inverter or battery. All power sources must be disabled and secured before performing any service.

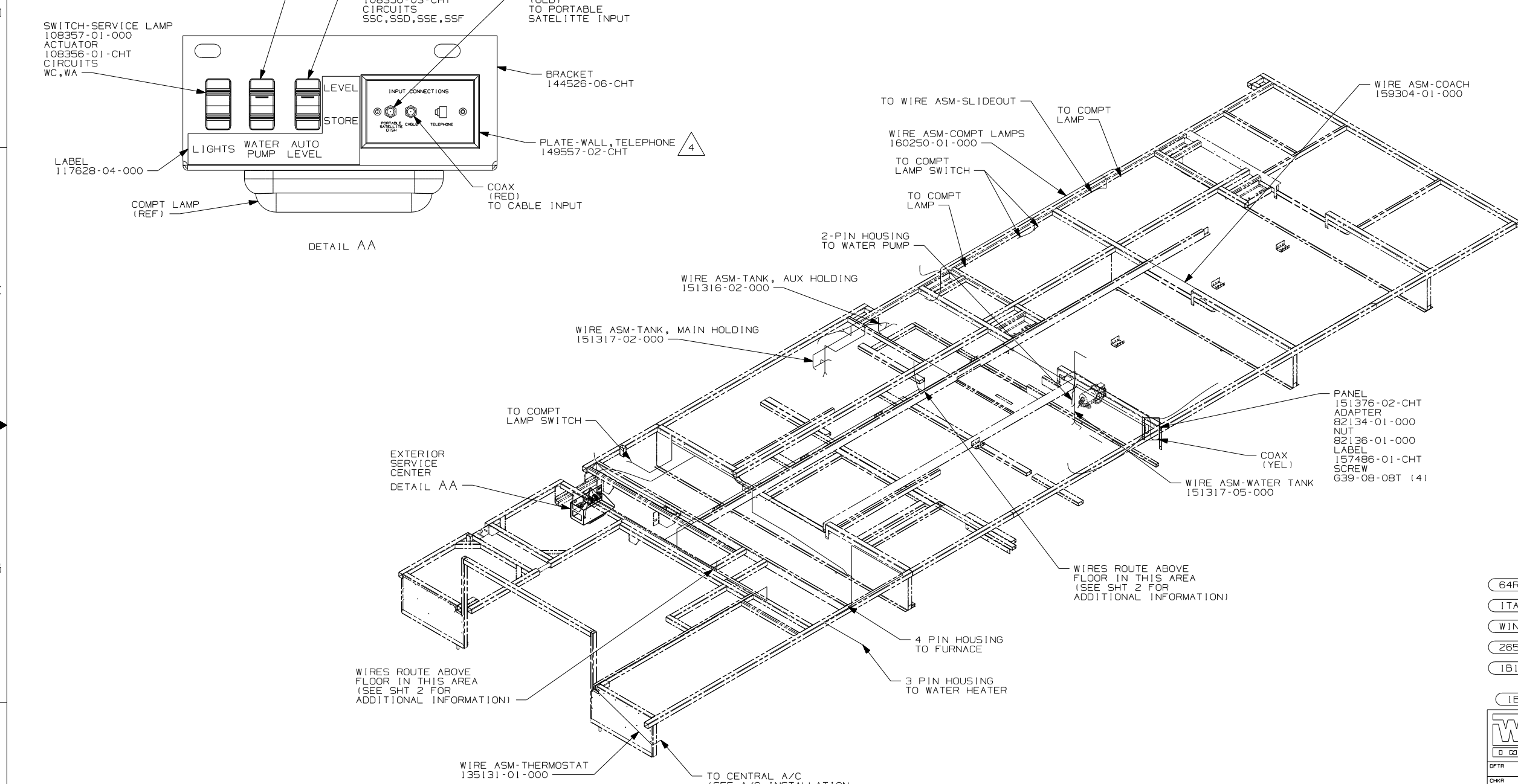


CAUTION

If you lack the skills, tools or equipment to perform diagnostic or repair work leave such work to an authorized Winnebago Industries dealer or other qualified shop.

| | |
|-------------|------------|
| DRAWING NO. | MODEL |
| 159301-01 | 34H (WIN) |
| 159301-02 | 34H (ITA) |
| 159301-03 | 34SH (WIN) |
| 159301-04 | 34SH (ITA) |

| | | | |
|----------|-----------------|--------|-----------|
| RELEASE | REV DATE | OWG NO | 159301 |
| REV ZONE | REVISION RECORD | DATE | DFTR-0R16 |



- (64R) EXTERIOR WASH STATION
 - (ITA) ITASCA ONLY
 - (WIN) WINNEBAGO ONLY
 - (265) CODES/STANDARDS-CSA/CMVSS
 - (1B1) CODES/STANDARDS USA
- (1B1) (265)

WINNEBAGO COPYRIGHT 2006 WINNEBAGO INDUSTRIES, INC.

| | |
|------|-----------------------------------|
| DFTR | ORIG. DATE |
| CHKR | ALL DIMENSIONS ARE IN MILLIMETERS |
| P.E. | |
| M.E. | FIRST USED |
| DSNR | 07 P34H |

UNSPECIFIED TOLERANCES ARE: MATERIAL:

| | |
|------------------|--------|
| WHOLE DIM (X) | : 3 |
| ONE-PLACE (X.X) | : 1.5 |
| TWO-PLACE (X.XX) | : 0.50 |
| ANGLE | : 1° |

THIRD ANGLE PROJECTION

DO NOT SCALE DRAWING

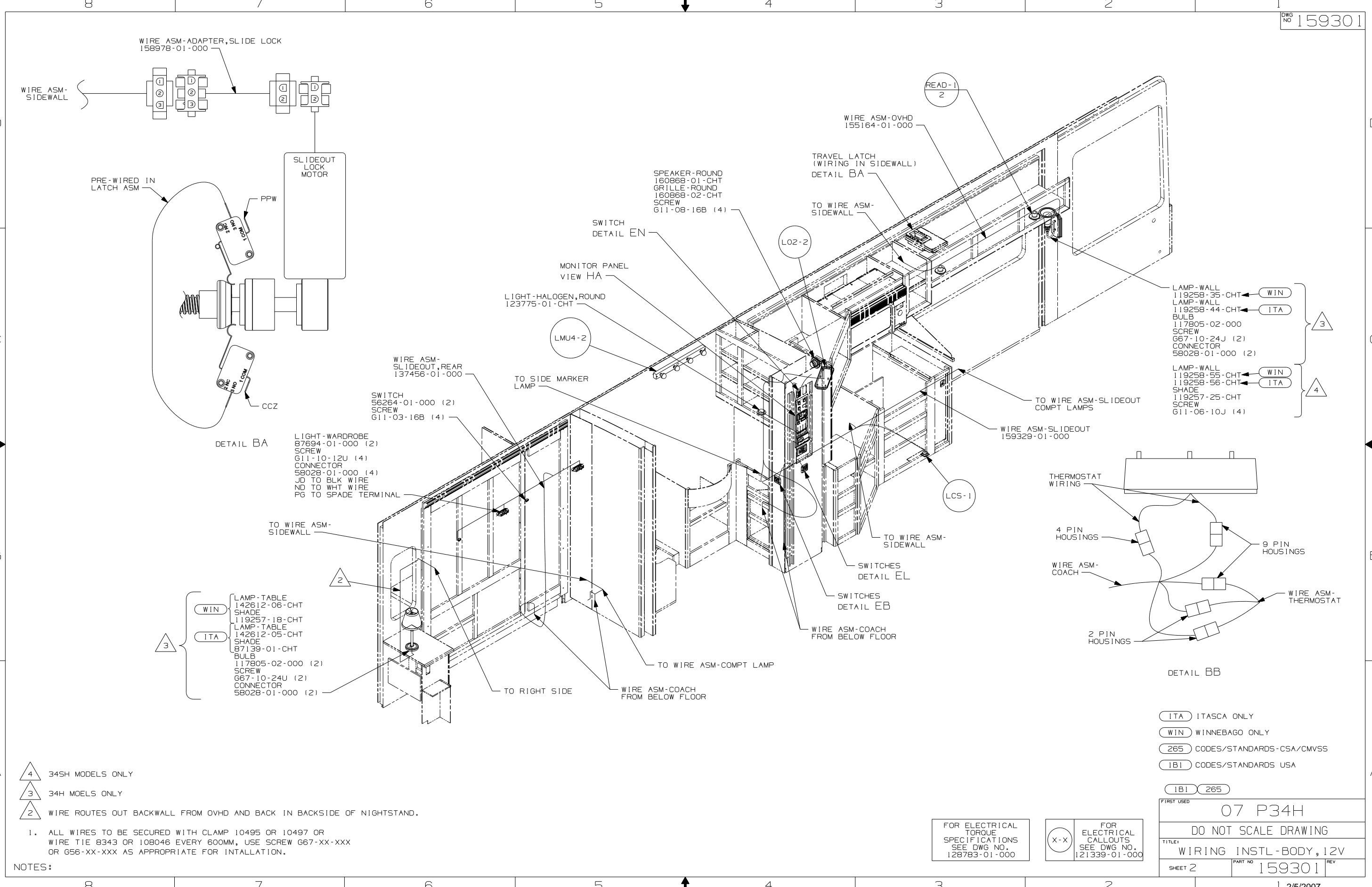
TITLE: WIRING INSTL-BODY, 12V

SHEET 1 of 8 PART NO 159301 REV

- 4 CONNECT TELEPHONE WIRES TO MATCH COLORS ON PLATE-TELEPHONE.
- WIRES THAT REST ON WIRE TRAYS ARE TO BE TIED DOWN WITH WIRE TIE 8343-02-000.
 - CLAMP TO FLOOR SUPPORT TUBES AS NECESSARY WITH CLAMP 10497-01-000.
 - ALL WIRES TO BE SECURED WITH CLAMP 10495 OR 10497 OR WIRE TIE 8343 OR 108046 EVERY 600MM, USE SCREW G67-XX-XXX OR G56-XX-XXX AS APPROPRIATE FOR INTALLATION.

FOR ELECTRICAL TORQUE SPECIFICATIONS SEE DWG NO. 128783-01-000

(X-X) FOR ELECTRICAL CALLOUTS SEE DWG NO. 121339-01-000



- △ 4 34SH MODELS ONLY
 - △ 3 34H MOELS ONLY
 - △ 2 WIRE ROUTES OUT BACKWALL FROM OVHD AND BACK IN BACKSIDE OF NIGHTSTAND.
1. ALL WIRES TO BE SECURED WITH CLAMP 10495 OR 10497 OR WIRE TIE 8343 OR 108046 EVERY 600MM, USE SCREW G67-XX-XXX OR G56-XX-XXX AS APPROPRIATE FOR INTALLATION.

NOTES:

- WIN LAMP-TABLE 142612-06-CHT SHADE 119257-18-CHT LAMP-TABLE 142612-05-CHT SHADE 87139-01-CHT BULB 117805-02-000 (2) SCREW G67-10-24U (2) CONNECTOR 58028-01-000 (2)
- ITA LAMP-TABLE 142612-06-CHT SHADE 119257-18-CHT LAMP-TABLE 142612-05-CHT SHADE 87139-01-CHT BULB 117805-02-000 (2) SCREW G67-10-24U (2) CONNECTOR 58028-01-000 (2)

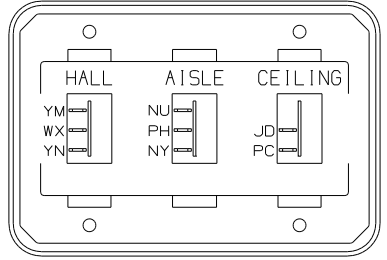
- WIN LAMP-WALL 119258-35-CHT
- ITA LAMP-WALL 119258-44-CHT
- BULB 117805-02-000
- SCREW G67-10-24J (2)
- CONNECTOR 58028-01-000 (2)
- WIN LAMP-WALL 119258-55-CHT
- ITA LAMP-WALL 119258-56-CHT
- SHADE 119257-25-CHT
- SCREW G11-06-10J (4)

- ITA ITASCA ONLY
- WIN WINNEBAGO ONLY
- 265 CODES/STANDARDS-CSA/CMVSS
- 1B1 CODES/STANDARDS USA

| | |
|-------------------------------|--------------------|
| FIRST USED | |
| 07 P34H | |
| DO NOT SCALE DRAWING | |
| TITLE: WIRING INSTL-BODY, 12V | |
| SHEET 2 | PART NO 159301 REV |

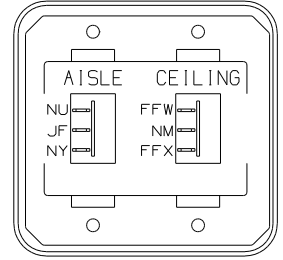
FOR ELECTRICAL TORQUE SPECIFICATIONS SEE DWG NO. 128783-01-000

FOR ELECTRICAL CALLOUTS SEE DWG NO. 121339-01-000



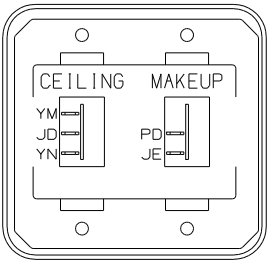
SWITCH-ROCKER
135740-01-CHT
135740-02-CHT (2)
SWITCH-BASE
135741-03-CHT
SWITCH-BEZEL
135742-25-CHT
SCREW
611-08-08U (4)

DETAIL EA



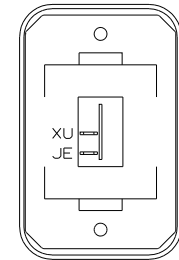
SWITCH-ROCKER
135740-01-CHT (2)
SWITCH-BASE
135741-02-CHT
SWITCH-BEZEL
135742-13-CHT
SCREW
611-08-08U (4)

DETAIL EH



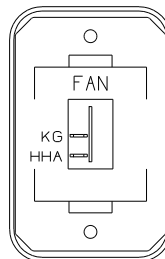
SWITCH-ROCKER
135740-01-CHT
135740-02-CHT
SWITCH-BASE
135741-02-CHT
SWITCH-BEZEL
135742-14-CHT
SCREW
611-08-08U (4)

DETAIL EB



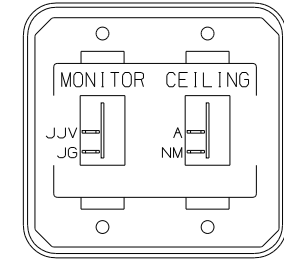
SWITCH-ROCKER
135740-01-CHT
SWITCH-BASE
135741-01-CHT
SWITCH-BEZEL
135742-01-CHT
SCREW
611-08-08U (2)

DETAIL EJ



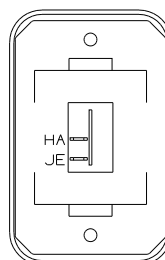
SWITCH-ROCKER
135740-01-CHT
SWITCH-BASE
135741-01-CHT
SWITCH-BEZEL
135742-12-CHT
SCREW
611-08-08U (2)

DETAIL EC



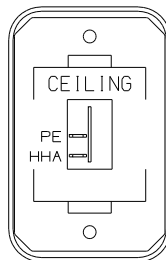
SWITCH-ROCKER
135740-01-CHT (2)
SWITCH-BASE
135741-02-CHT
SWITCH-BEZEL
135742-31-CHT
SCREW
611-08-08U (4)

DETAIL EL



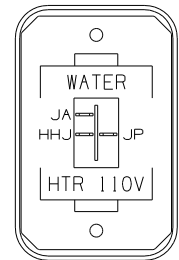
SWITCH-ROCKER
135740-01-CHT
SWITCH-BASE
135741-01-CHT
SWITCH-BEZEL
135742-01-CHT
SCREW
611-08-08U (2)

DETAIL EP



SWITCH-ROCKER
135740-01-CHT
SWITCH-BASE
135741-01-CHT
SWITCH-BEZEL
135742-07-CHT
SCREW
611-08-08U (2)

DETAIL EM (WIN)



SWITCH-ROCKER
135740-06-CHT
SWITCH-BASE
135741-01-CHT
SWITCH-BEZEL
135742-35-CHT
SCREW
611-08-08U (2)

DETAIL EN

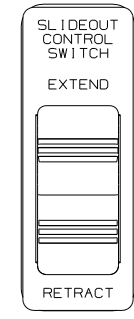


PLATE-SWITCH
144363-09-CHT
SWITCH
108357-06-000
ACTUATOR
108356-01-CHT
NU, O
D65-08-00B (2)
LABEL
116220-01-000
DDA, CCY, DGA, BBM, CCZ, BBN

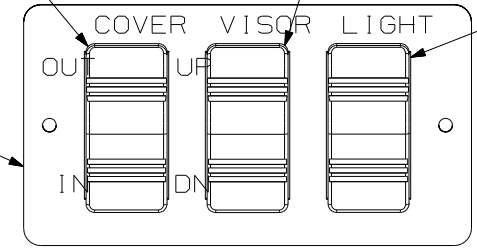
WARNING
UNDERSTAND OPERATOR'S MANUAL
BEFORE USING KEEP PEOPLE AND
OBSTRUCTIONS CLEAR OF SLIDEOUT
ROOM WHEN OPERATING TO AVOID
INJURY AND/OR PROPERTY DAMAGE

LABEL-WARNING
116549-02-000

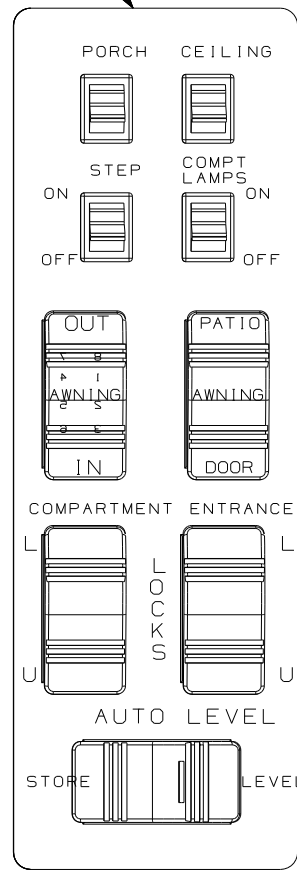
DETAIL EG

SWITCH-COVER
108357-06-000
ACTUATOR-SWITCH
108356-01-CHT
CIRCUITS
GX, KA, HHC, HDD

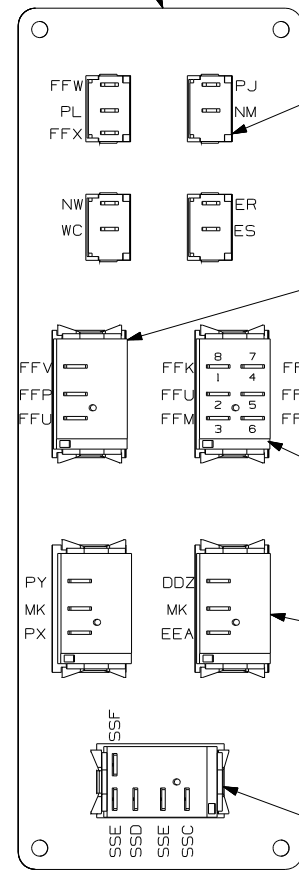
PLATE-SWITCH
142487-01-CHT
APPLIQUE
142475-01-CHT
SCREW
611-06-10U (2)



DETAIL EF



DETAIL EE (FRONT SIDE)



DETAIL EE (BACK SIDE)

PLATE-SWITCH, CONSOLE, RH
149521-02-CHT
SCREW
611-06-10U (4)

APPLIQUE
149527-02-CHT

SWITCH
132180-01-CHT (3)
132180-02-CHT

SWITCH-AWNING SELECTOR
ACTUATOR
108357-08-000
108356-13-CHT
SWITCH-BLANK
96241-03-000 (1)

SWITCH-AWNING SELECTOR
ACTUATOR
108357-06-000
108356-13-CHT
SWITCH-BLANK
96241-03-000 (1)

SWITCH-DOOR LOCKS
ACTUATOR
108357-07-000 (2)
108356-01-CHT (2)

SWITCH-AUTO LEVEL
ACTUATOR
108357-18-000
108356-03-CHT

SWITCH-BLANK
96241-03-000 (28K)
SWITCH-VISOR
108357-16-000
ACTUATOR-SWITCH
108356-01-CHT
CIRCUITS
HHM, HHN, MK, PPJ, PPK (28J)

SWITCH-LAMPS
108357-01-000
ACTUATOR-SWITCH
108356-01-CHT

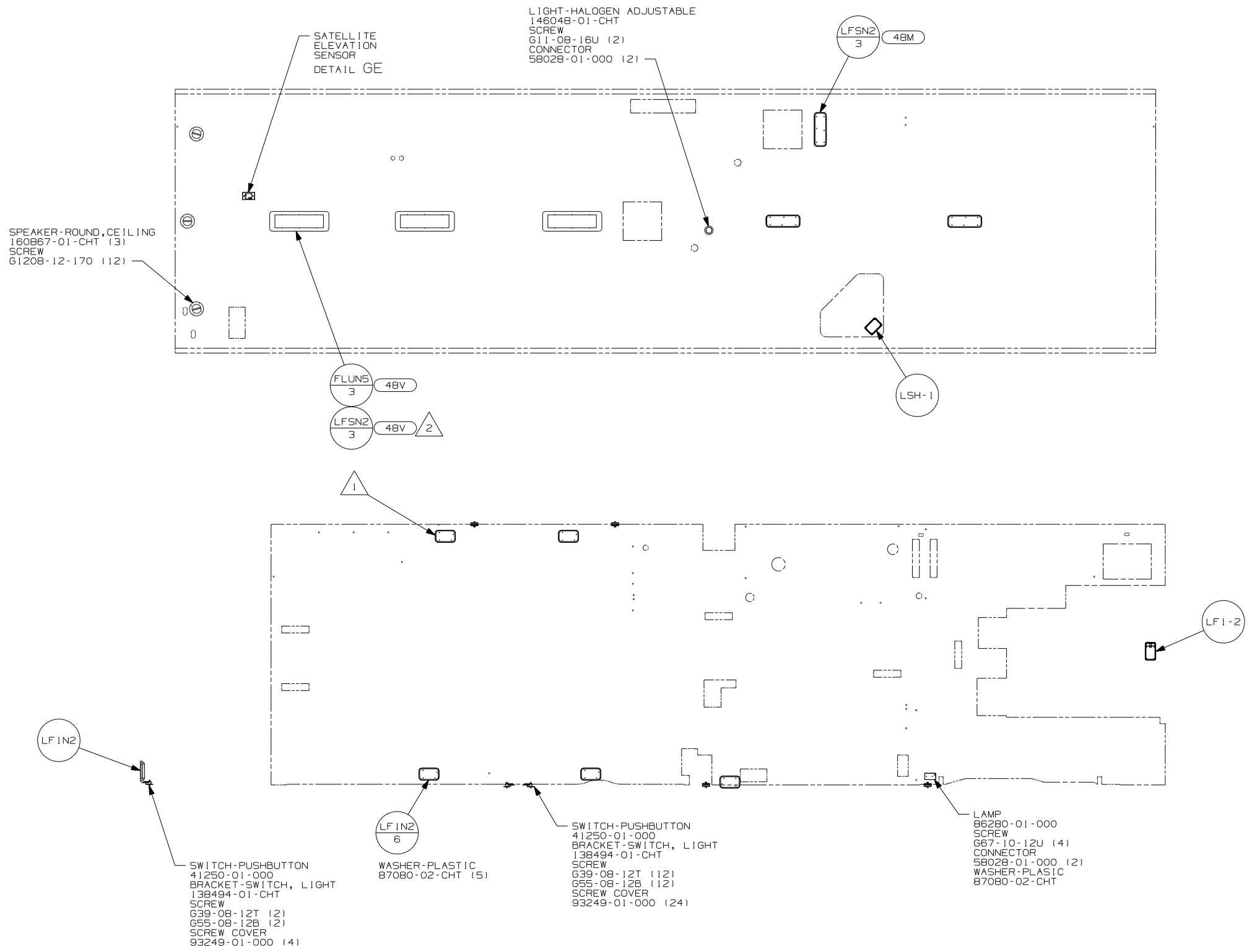
- (52N) AWNING - PATIO, ELECTRIC
- (28K) SUNVISORS - MANUAL (2)
- (28J) SUNVISORS - POWERED (2)
- (ITA) ITASCA ONLY
- (WIN) WINNEBAGO ONLY
- (265) CODES/STANDARDS-CSA/CMVSS
- (1B1) CODES/STANDARDS USA

| | |
|------------|------------------------|
| FIRST USED | 07 P34H |
| TITLE | DO NOT SCALE DRAWING |
| SHEET 5 | WIRING INSTL-BODY, 12V |
| PART NO | 159301 |
| REV | |

FOR ELECTRICAL
TORQUE
SPECIFICATIONS
SEE DWG NO.
128783-01-000

(X-X)
FOR
ELECTRICAL
CALLOUTS
SEE DWG NO.
121339-01-000

NOTES:
1 WITHOUT (52N)



- 48V LIGHTS-FLUORESCENT
- 48M LIGHTS-INCANDESCENT
- 265 CODES/STANDARDS-CSA/CMVSS
- 1B1 CODES/STANDARDS USA

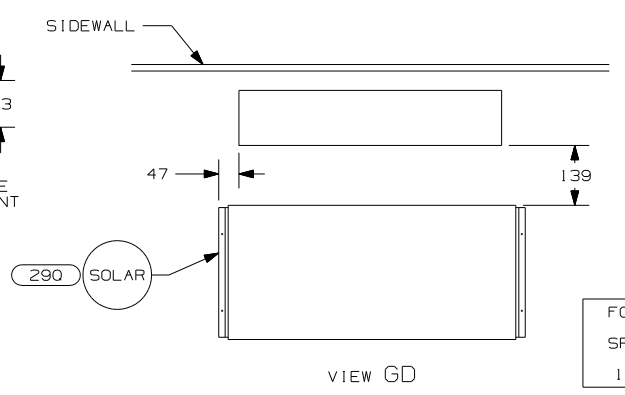
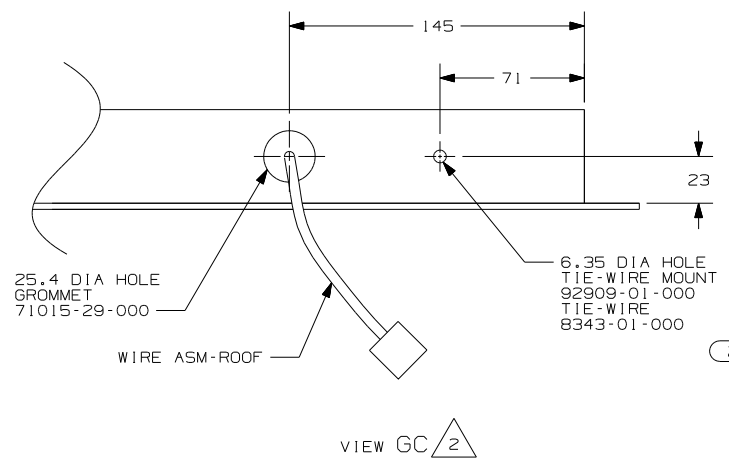
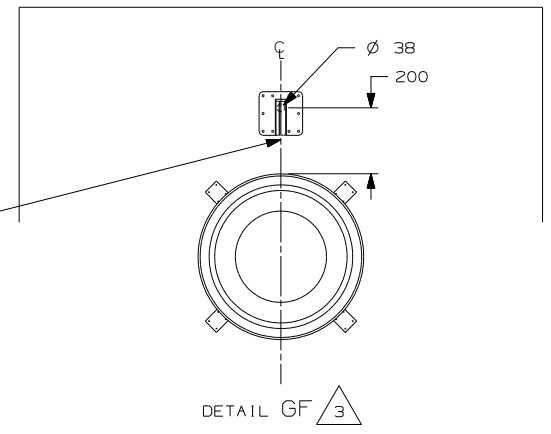
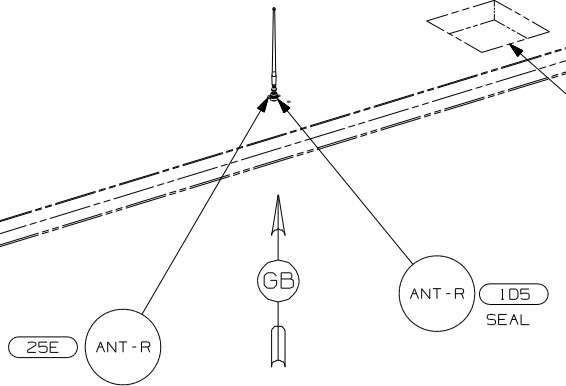
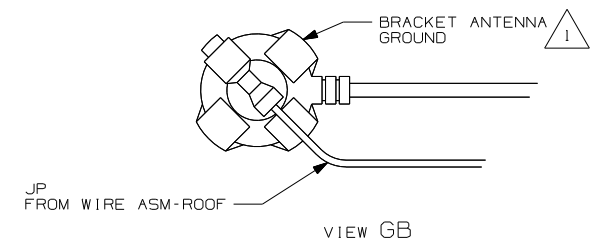
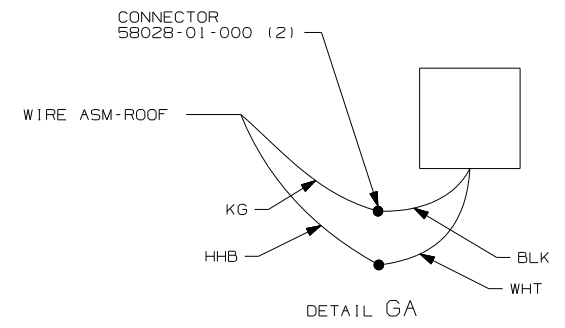
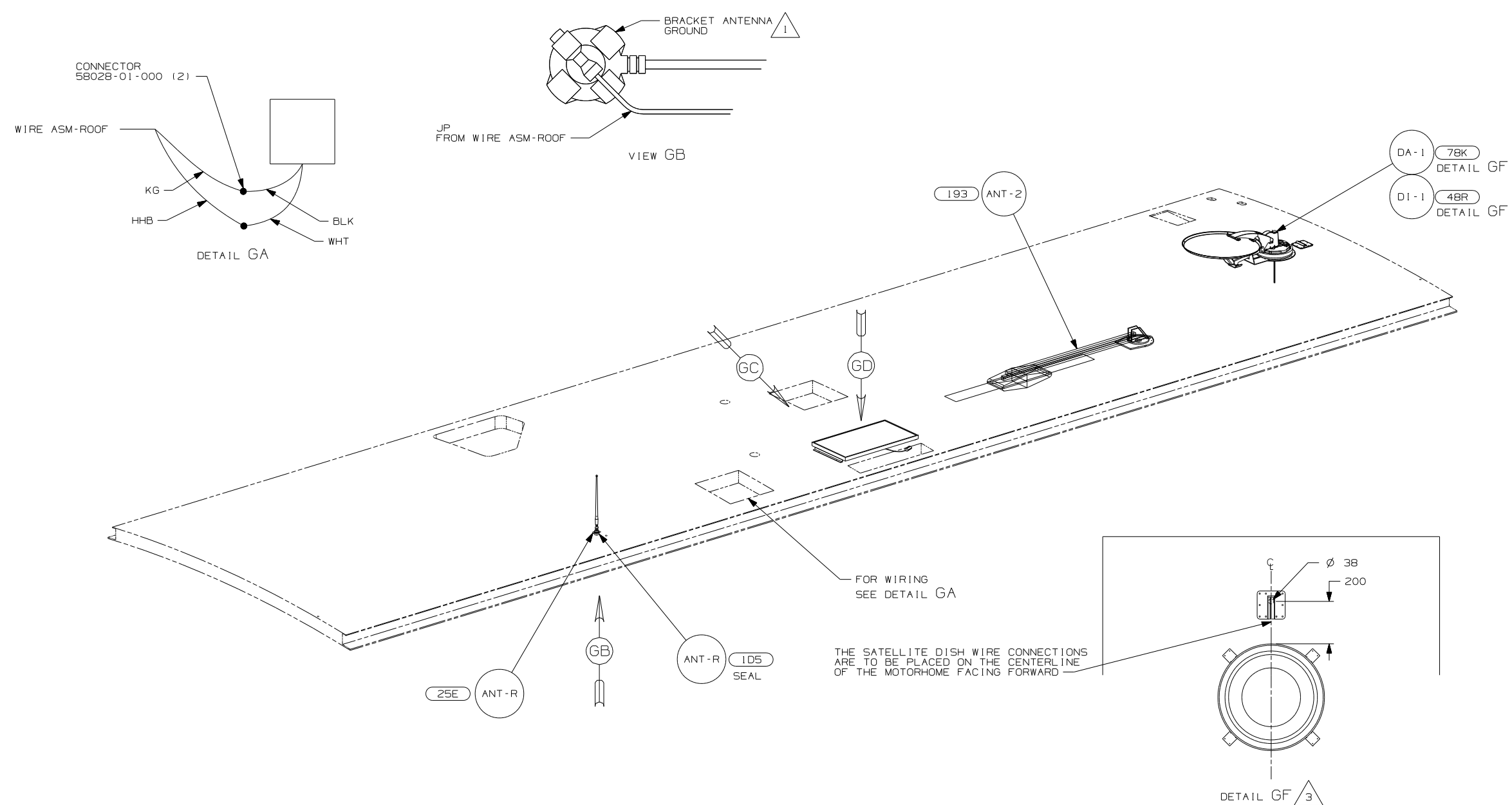
| | | |
|----------------------|------------------------|--------|
| FIRST USED | 07 P34H | |
| DO NOT SCALE DRAWING | | |
| TITLE: | WIRING INSTL-BODY, 12V | |
| SHEET 6 | PART NO | 159301 |
| REV | | |

NOTES:

- 2 34SH MODELS ONLY
- 1 LAMPS TO BE MOUNTED 75 ±20 FROM EDGE OF FLOOR.

FOR ELECTRICAL TORQUE SPECIFICATIONS SEE DWG NO. 128783-01-000

FOR ELECTRICAL CALLOUTS SEE DWG NO. 121339-01-000



- NOTES:
- 3 REMOVE ALL SHIPPING RESTRAINTS AND FIRMLY INSERT THE SUPPLIED PLUGS INTO THE APPROPRIATE SIZED HOLES AS SPECIFIED IN THE INSTALLATION PROCESS.
 - 2 FASTEN TO VENT.
 - 1 WRAP BRACKET LEGS AROUND ANTENNA BASE.

FOR WIRING SEE DETAIL GA

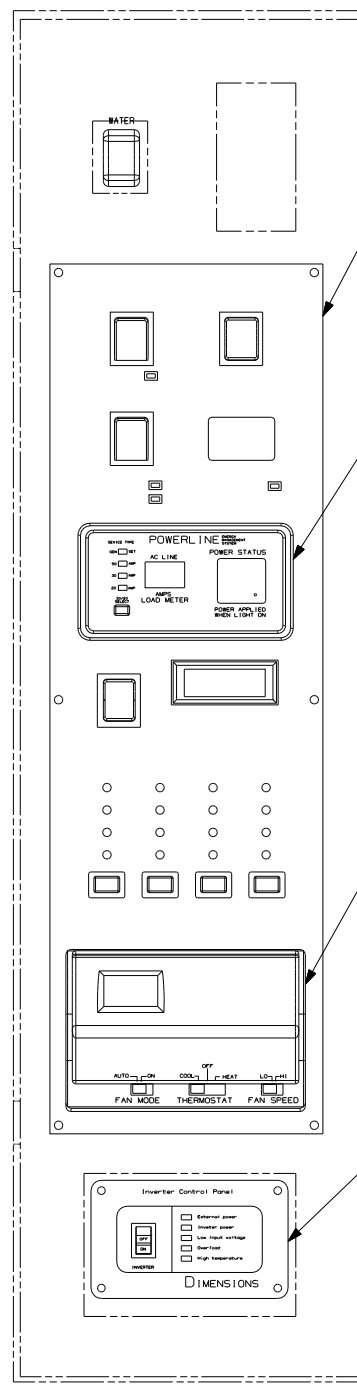
THE SATELLITE DISH WIRE CONNECTIONS ARE TO BE PLACED ON THE CENTERLINE OF THE MOTORHOME FACING FORWARD

- 25E STEREO SYSTEM W/CD REAR
- 48R SAT SYS IN-MOTION W/O RCVR
- 78K SATELLITE DISH-AUTOMATIC
- 480 SATELLITE DISH & ELEV.SENSOR
- 290 SOLAR PANEL-10 WATT
- 105 ENTERTAINMENT CENTR/EXT W/CD
- 193 TV ANTENNA-AMPLIFIED SYSTEM
- 265 CODES/STANDARD-CSA/CMVSS
- 1B1 CODES/STANDARDS USA

FOR ELECTRICAL TORQUE SPECIFICATIONS SEE DWG NO. 128783-01-000

FOR ELECTRICAL CALLOUTS SEE DWG NO. 121339-01-000

| | | |
|------------|------------------------|-----|
| FIRST USED | 07 P34H | |
| TITLE | DO NOT SCALE DRAWING | |
| | WIRING INSTL-BODY, 12V | |
| SHEET 7 | PART NO 159301 | REV |



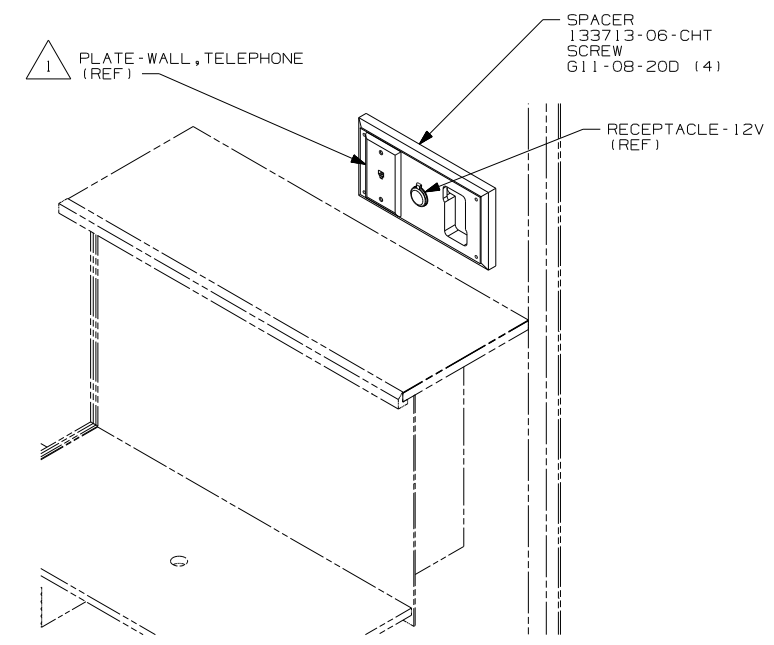
MONITOR PANEL
133004-05-CHT
SCREW
G11-08-12B (4)

MONITOR
127002-10-000
SCREW
G13-06-061 (2)

THERMOSTAT
A/C AND FURNACE
105620-18-000
GASKET-THERMOSTAT
134588-09-000
DETAIL BB

REMOTE PANEL
INVERTER/CHARGER
148254-05-000
REMOTE PANEL-INVERTER
154511-02-000
CABLE ASM-MODULE JACK 50'
148254-03-000
CONDUIT
41953-09-000
(7000)

VIEW HA

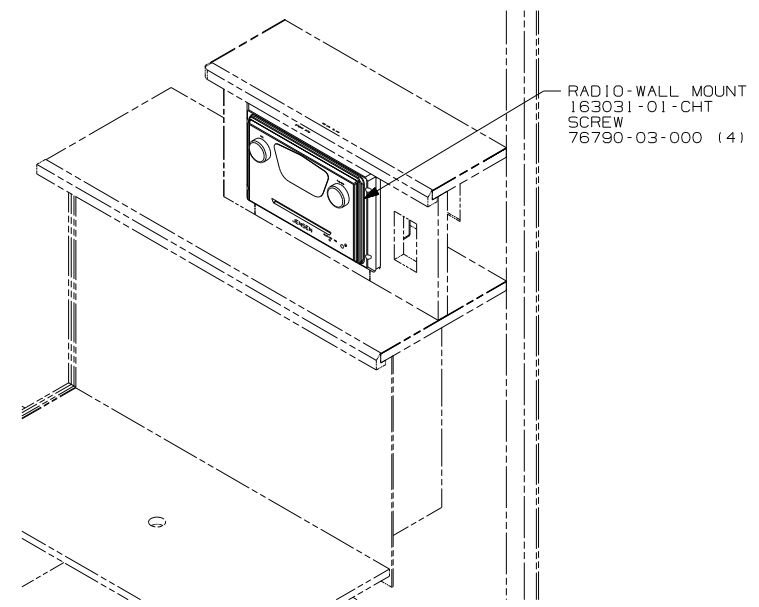


1 PLATE-WALL, TELEPHONE
(REF)

SPACER
133713-06-CHT
SCREW
G11-08-20D (4)

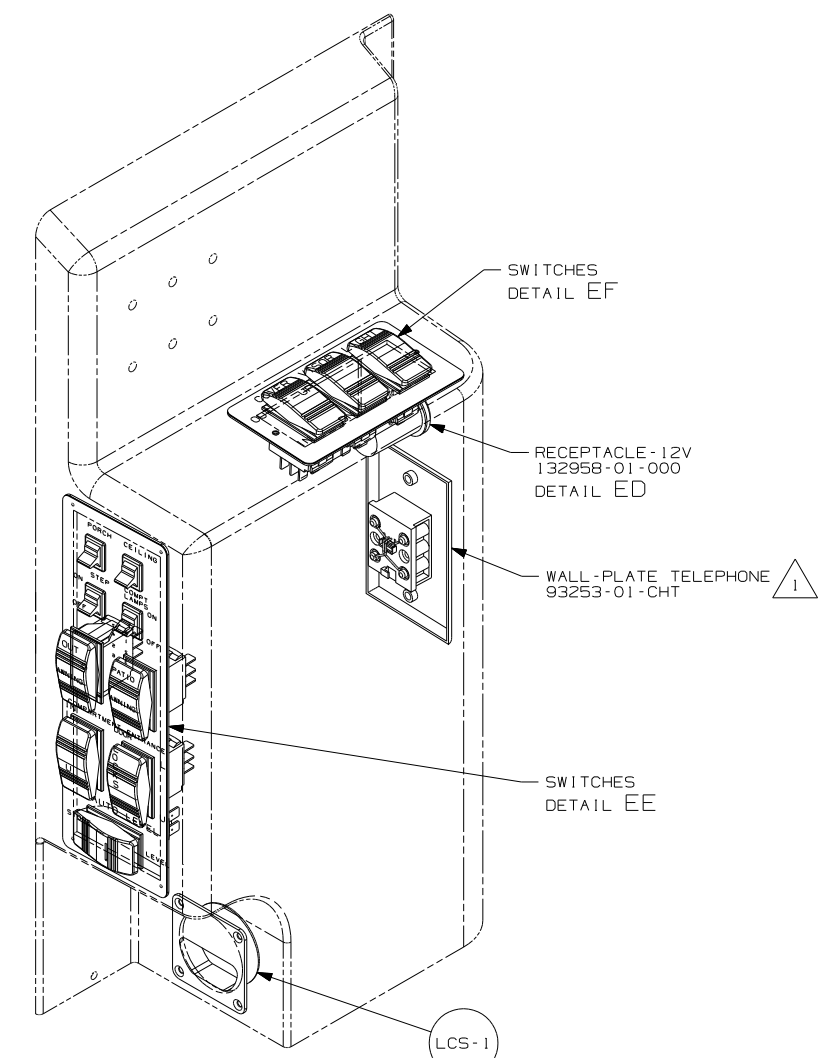
RECEPTACLE-12V
(REF)

VIEW HB 26K



RADIO-WALL MOUNT
163031-01-CHT
SCREW
76790-03-000 (4)

VIEW HB 25D



SWITCHES
DETAIL EF

RECEPTACLE-12V
132958-01-000
DETAIL ED

WALL-PLATE TELEPHONE
93253-01-CHT

SWITCHES
DETAIL EE

LCS-1

VIEW HC

- NOTES:
- 3 INSTALL GASKET ON BACK SIDE OF ONE PLACE AFTER INSTALLATION OF THERMOSTAT, MAKING SURE THAT THE GASKET COVERS AND SEALS THE HOLE THAT THE WIRES PASS THROUGH.
 - 2 CONNECT CIRCUIT WB FROM COACH WIRING TO RED WIRE ON REMOTE PANEL.
 - 1 CONNECT TELEPHONE WIRES TO MATCHING COLORS ON PLATE-TELRPHONE.

- 40D INVERTER-DC/AC, 600 WATT
- 26K REAR STEREO SYSTEM WITHOUT
- 25D STEREO SYSTEM/W/CD/DVD REAR
- 13X INVERTER/CHARGER 2.0 KW
- 265 CODES/STANDARDS-CSA/CMVSS
- 1B1 CODES/STANDARDS USA

1B1 265

FOR ELECTRICAL
TORQUE
SPECIFICATIONS
SEE DWG NO.
128783-01-000

X-X
FOR ELECTRICAL
CALLOUTS
SEE DWG NO.
121339-01-000

| | | | |
|----------------------------------|---------|---------|-----|
| FIRST USED | | 07 P34H | |
| DO NOT SCALE DRAWING | | | |
| TITLE: WIRING INSTL-BODY, 12V | | | |
| SHEET 8 | PART NO | 159301 | REV |