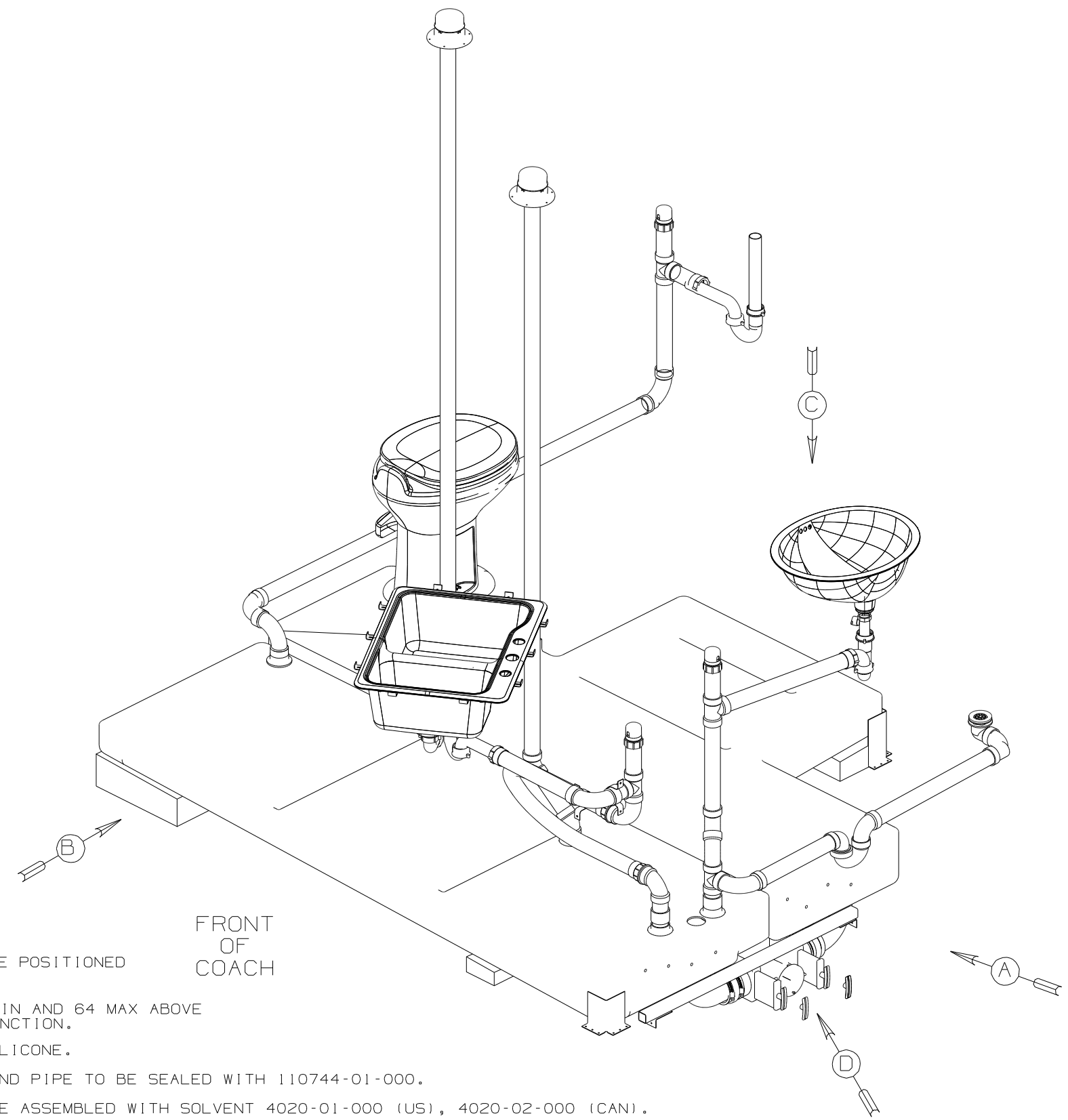


DWG NO	----
158304-01	(WIN)
158304-02	(ITA)

RELEASE	REV DATE	DWG NO
A		158304
REV ZONE	REVISION RECORD	DATE
		DFT-016



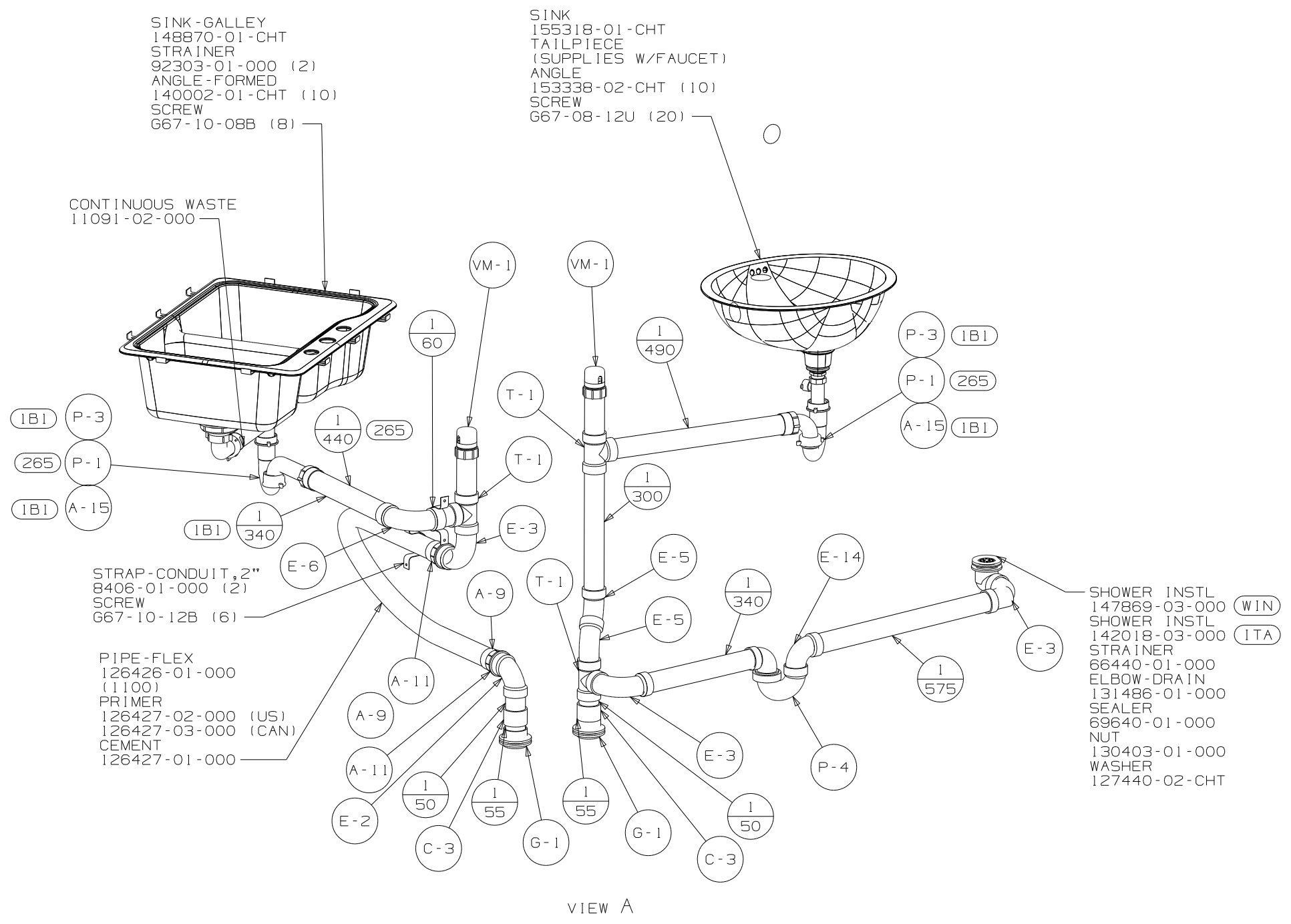
FRONT OF COACH

- NOTES:
7. VALVE TERMINATION TEE TO BE POSITIONED AT 10° DOWN AND OUTBOARD.
 6. VENT PIPE MUST PROJECT 51 MIN AND 64 MAX ABOVE ROOF FOR PROPER FIT AND FUNCTION.
 5. SEAL AROUND SHOWER WITH SILICONE.
 4. ALL EXTERIOR OPENINGS AROUND PIPE TO BE SEALED WITH 110744-01-000.
 3. ALL PIPE AND FITTINGS TO BE ASSEMBLED WITH SOLVENT 4020-01-000 (US), 4020-02-000 (CAN).
 2. SLOPE OF TRAP ARM MUST BE 6 PER 305 mm.
 1. SLOPE OF HORIZONTAL PIPING TO BE 6 PER 305 mm.

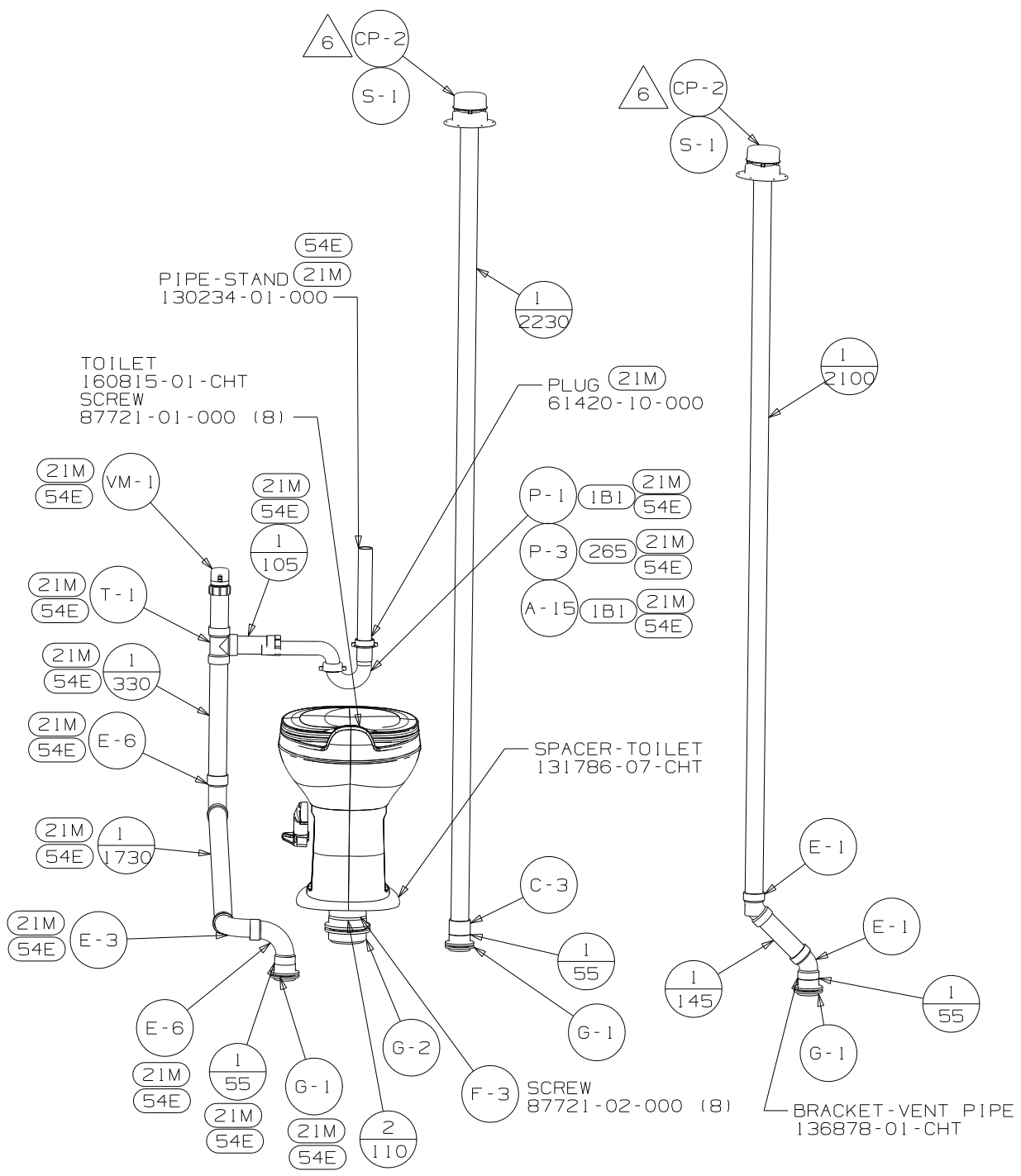
- (WIN) WINNEBAGO ONLY
- (ITA) ITASCA ONLY
- (IB1) CODES/STANDARDS USA
- (265) CODES/STANDARDS-CSA/CMVSS
- (54E) WASHER/DRYER
- (21M) WASHER/DRYER PREP
- (430) TOILET-PORCLAIN

WINNEBAGO		COPYRIGHT 2007 WINNEBAGO INDUSTRIES, INC.	
DFT	ORIG. DATE	ALL DIMENSIONS ARE IN MILLIMETERS	
CHKR		FIRST USED	
P.E.		07 P34H	
M.E.		UNSPECIFIED TOLERANCES ARE:	
DSNR		MATERIAL:	
		WHOLE DIM (X) :	7
		ONE-PLACE (X.X) :	
		TWO-PLACE (X.XX) :	
		ANGLE :	
THIRD ANGLE PROJECTION		DO NOT SCALE DRAWING	
TITLE: DRAINAGE SYSTEM INSTL			
SHEET 1 OF 4	PART NO	158304	REV

(X-X)
FOR DRAINAGE CALLOUTS SEE DWG NO 116229-01-000

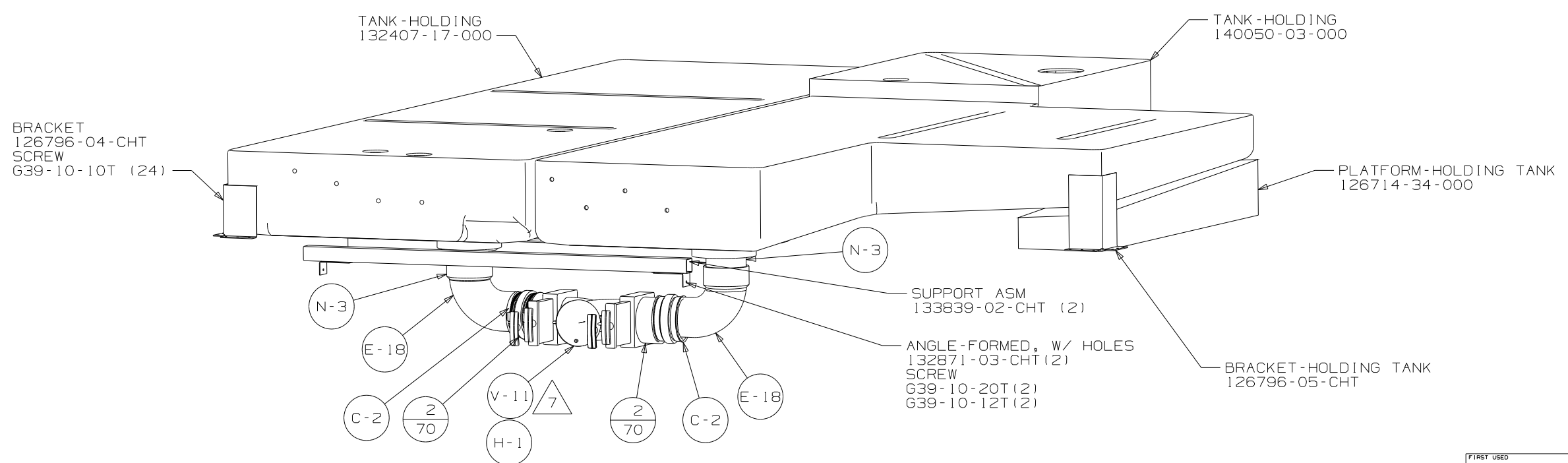
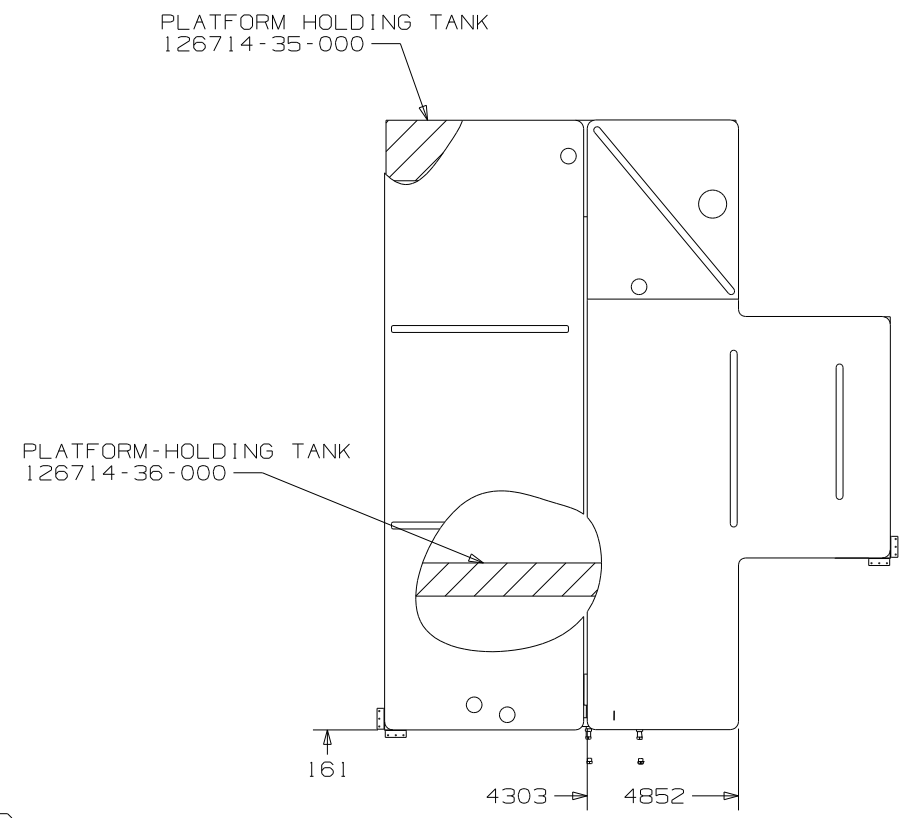
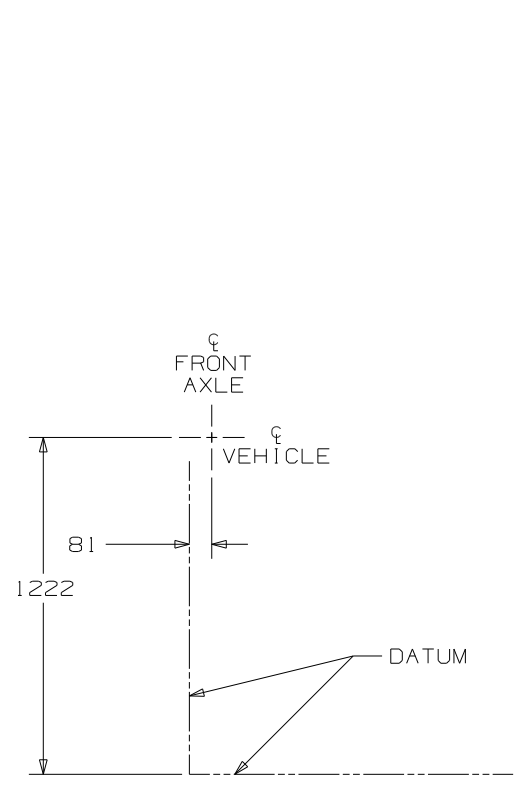


FIRST USED	07 P34H	
TITLE	DO NOT SCALE DRAWING	
	DRAINAGE SYSTEM INSTL	
SHEET 2	PART NO 158304	REV



VIEW B

FIRST USED	07 P34H	
TITLE	DO NOT SCALE DRAWING	
	DRAINAGE SYSTEM INSTL	
SHEET 3	PART NO 158304	REV



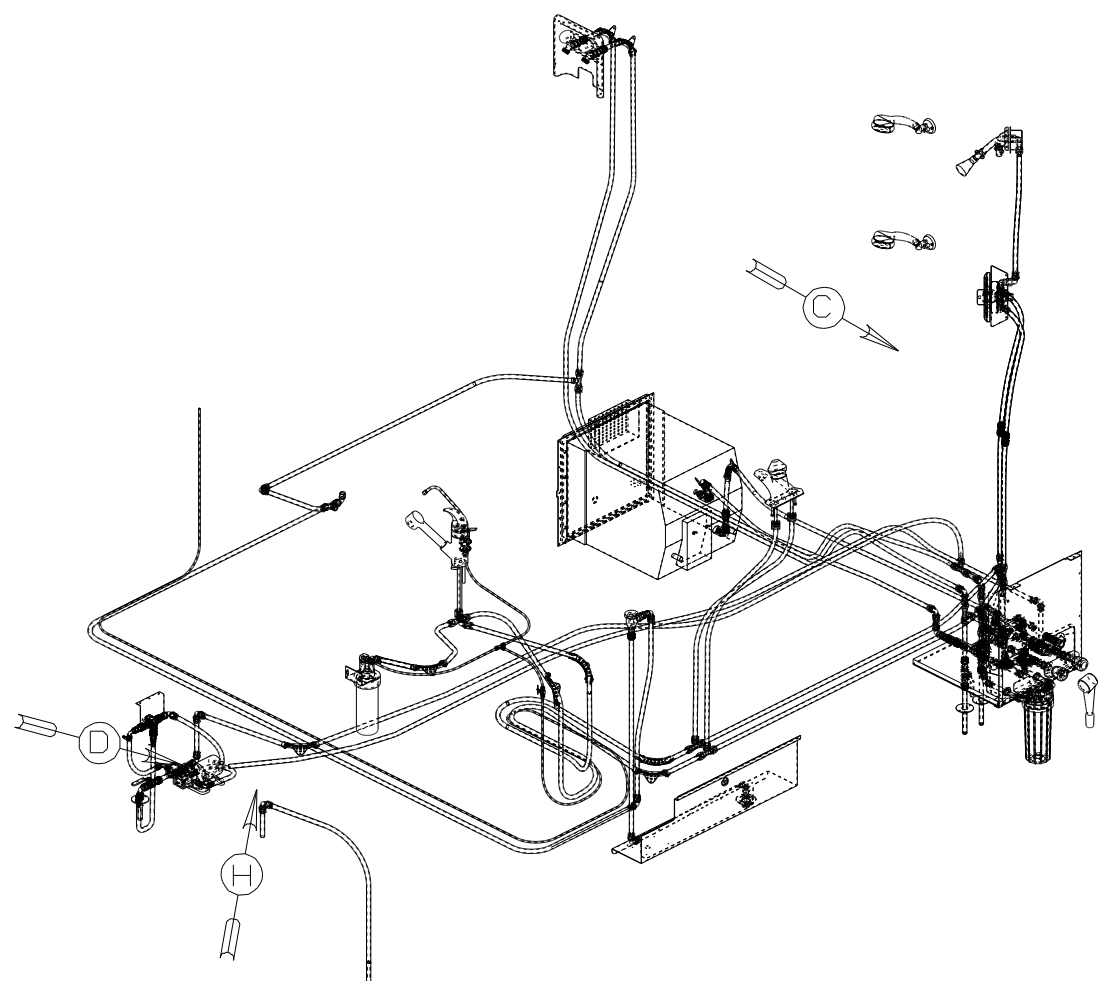
- VALVE - SEWER HOSE
144728-01-000
- CLAMP - HOSE
062401-09-000
- LABEL - DRIP VALVE
147845-01-CHT

VIEW D

FIRST USED	07 P34H	
TITLE	DO NOT SCALE DRAWING	
	DRAINAGE SYSTEM INSTL	
SHEET 4	PART NO 158304	REV

DWG NO	--
158309-01	(WIN)
158309-02	(ITA)
158309-03	(WIN)
158309-04	(ITA)

RELEASE	REV DATE	DWG NO
A		158309
REV ZONE	REVISION RECORD	DATE
		DFTR-0R16



- (WIN) WINNEBAGO ONLY
- (ITA) ITASCA ONLY
- (54E) WASHER/DRYER
- (21M) WASHER/DRYER PREP
- (29B) WATER PURIFIER
- (15U) REFRIGERATOR/FRZR W/ICEMAKER
- (79W) REFRIGERATOR-4 DOOR
- (144) REFRIGERATOR-DOUBLE DOOR
- (43A) SHOWER HEAD-FIXED
- (43H) SHOWER HEAD-HAND HELD
- (53E) WINTERIZATION PACKAGE

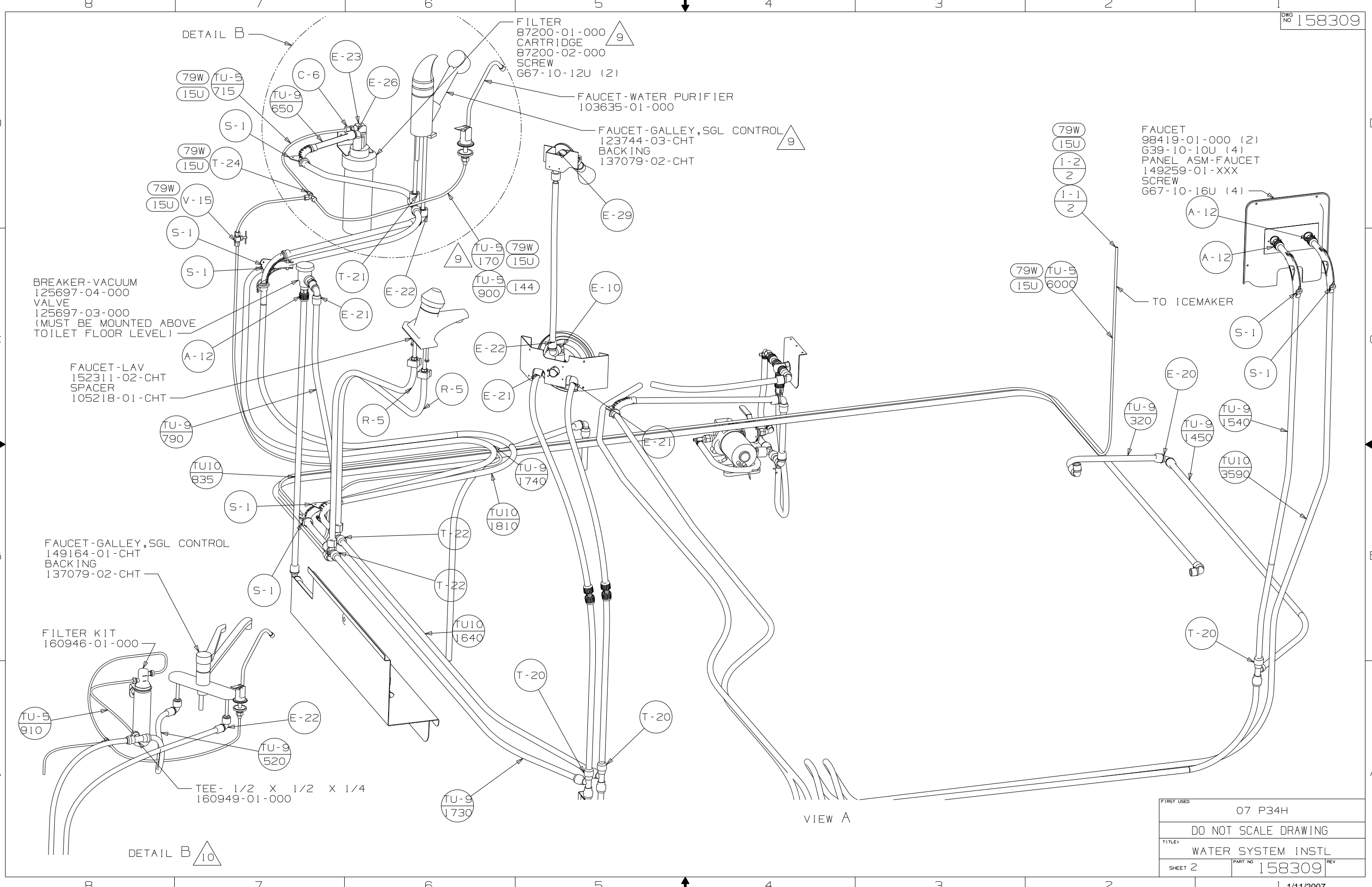
- 10 P34SH ONLY.
- 9 P34H ONLY.
- 8 USE IN PLACE OF SUPPLIED SCREWS TO ATTACH BRACKET TO WALL.
- 7 ADD PIPE WRAP (LADDER SCRAP 110157-02-000) INSULATION.
- 6 ADD TEFLON TAPE 10405-03-000.
- 5 ADD TEFLON TAPE 10405-02-000.
- 4 ADD TEFLON TAPE 10405-01-000.

3. ALL TUBING TO BE SECURED AT 1200 INTERVALS MAXIMUM WITH CLAMP 10495-01-000 AND SCREW G67-10-12B OR EQUIVALENT.
2. TUBING TO BE INSTALLED WITH SUFFICIENT SLOPE TO PROVIDE DRAINAGE TO NEAREST VALVE.
1. PLASTIC FITTINGS TO BE SEALED WITH SEALANT 84456-01-000.

NOTES:

(X-X)
FOR
WATER
CALLOUTS
SEE DWG NO
116230-01-000

WINNEBAGO		COPYRIGHT 2007 WINNEBAGO INDUSTRIES, INC.	
DFTR	ORIG. DATE	ALL DIMENSIONS ARE IN MILLIMETERS	
CHKR		FIRST USED	
P.E.		07 P34H	
M.E.		UNSPECIFIED TOLERANCES ARE:	
DSNR		MATERIAL:	
		WHOLE DIM (X) :	7
		ONE-PLACE (X.X) :	
		TWO-PLACE (X.XX) :	
		ANGLE :	
THIRD ANGLE PROJECTION		DO NOT SCALE DRAWING	
TITLE: WATER SYSTEM INSTL			
SHEET 1 OF 5	PART NO	158309	REV
REF:	1 1/11/2007		



FILTER
87200-01-000
CARTRIDGE
87200-02-000
SCREW
667-10-12U (2)

FAUCET-WATER PURIFIER
103635-01-000

FAUCET-GALLEY, SGL CONTROL
123744-03-CHT
BACKING
137079-02-CHT

FAUCET
98419-01-000 (2)
639-10-10U (4)
PANEL ASM-FAUCET
149259-01-XXX
SCREW
667-10-16U (4)

BREAKER-VACUUM
125697-04-000
VALVE
125697-03-000
(MUST BE MOUNTED ABOVE
TOILET FLOOR LEVEL)

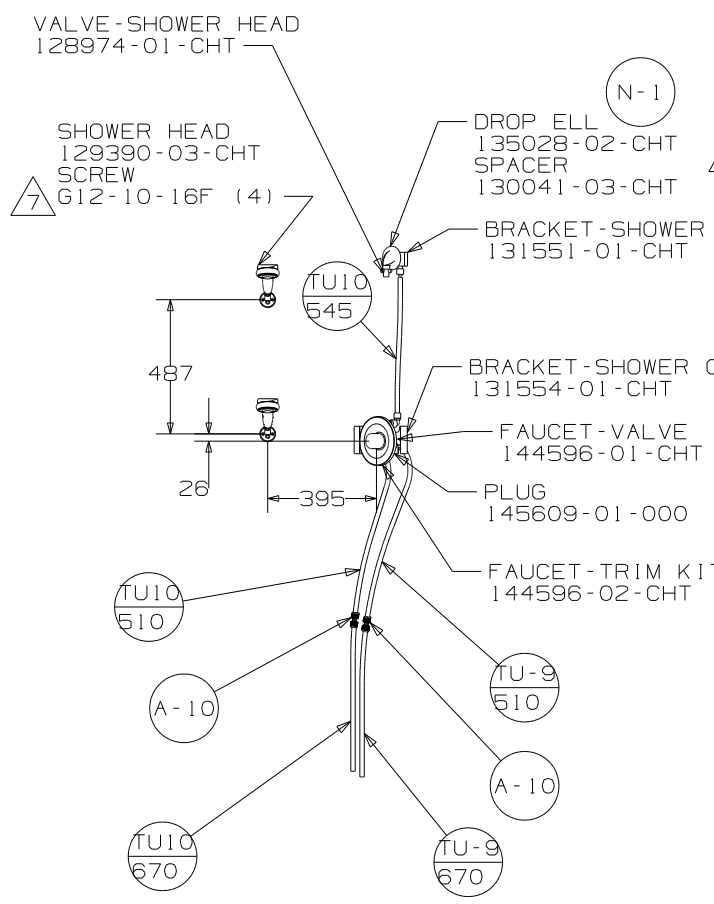
FAUCET-LAV
152311-02-CHT
SPACER
105218-01-CHT

FAUCET-GALLEY, SGL CONTROL
149164-01-CHT
BACKING
137079-02-CHT

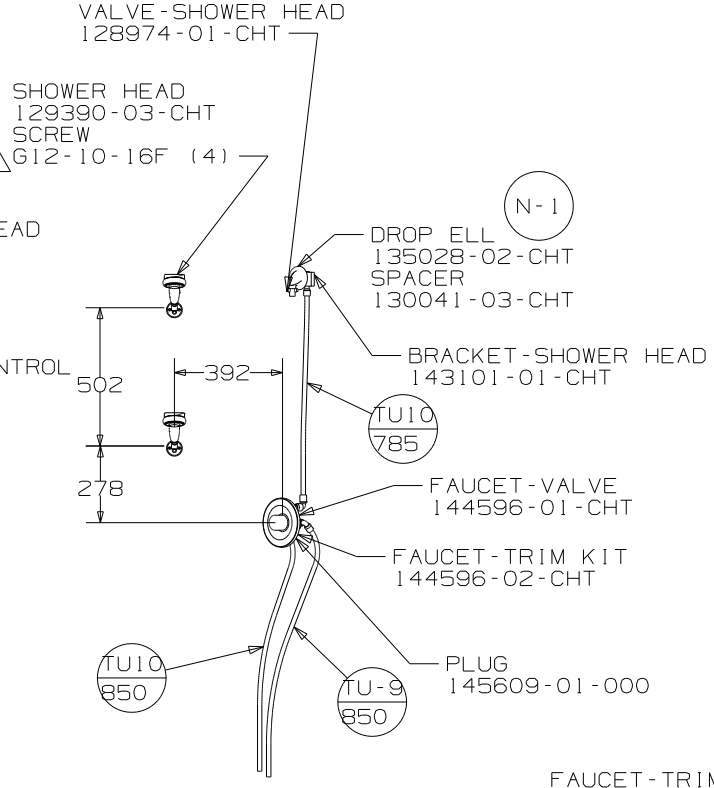
FILTER KIT
160946-01-000

TEE- 1/2 X 1/2 X 1/4
160949-01-000

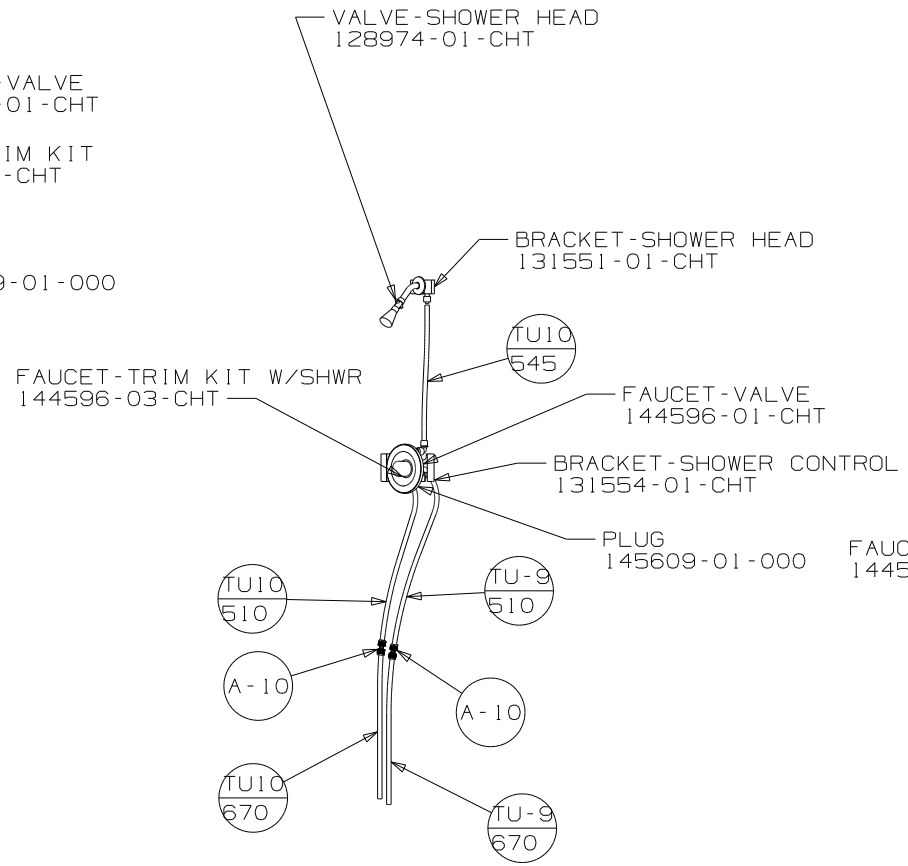
FIRST USED	07 P34H
DO NOT SCALE DRAWING	
TITLE:	WATER SYSTEM INSTL
SHEET 2	PART NO 158309 REV



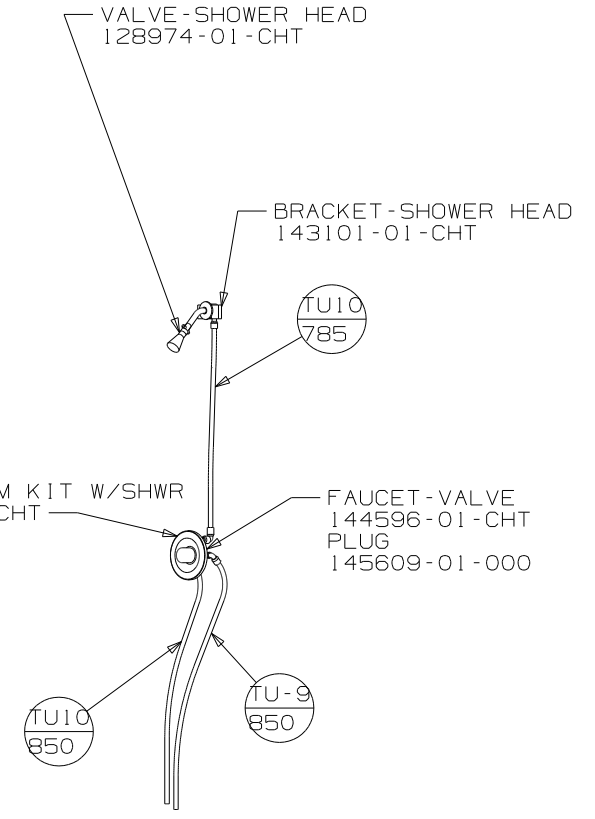
VIEW C
WIN 43H



VIEW C
ITA 43H

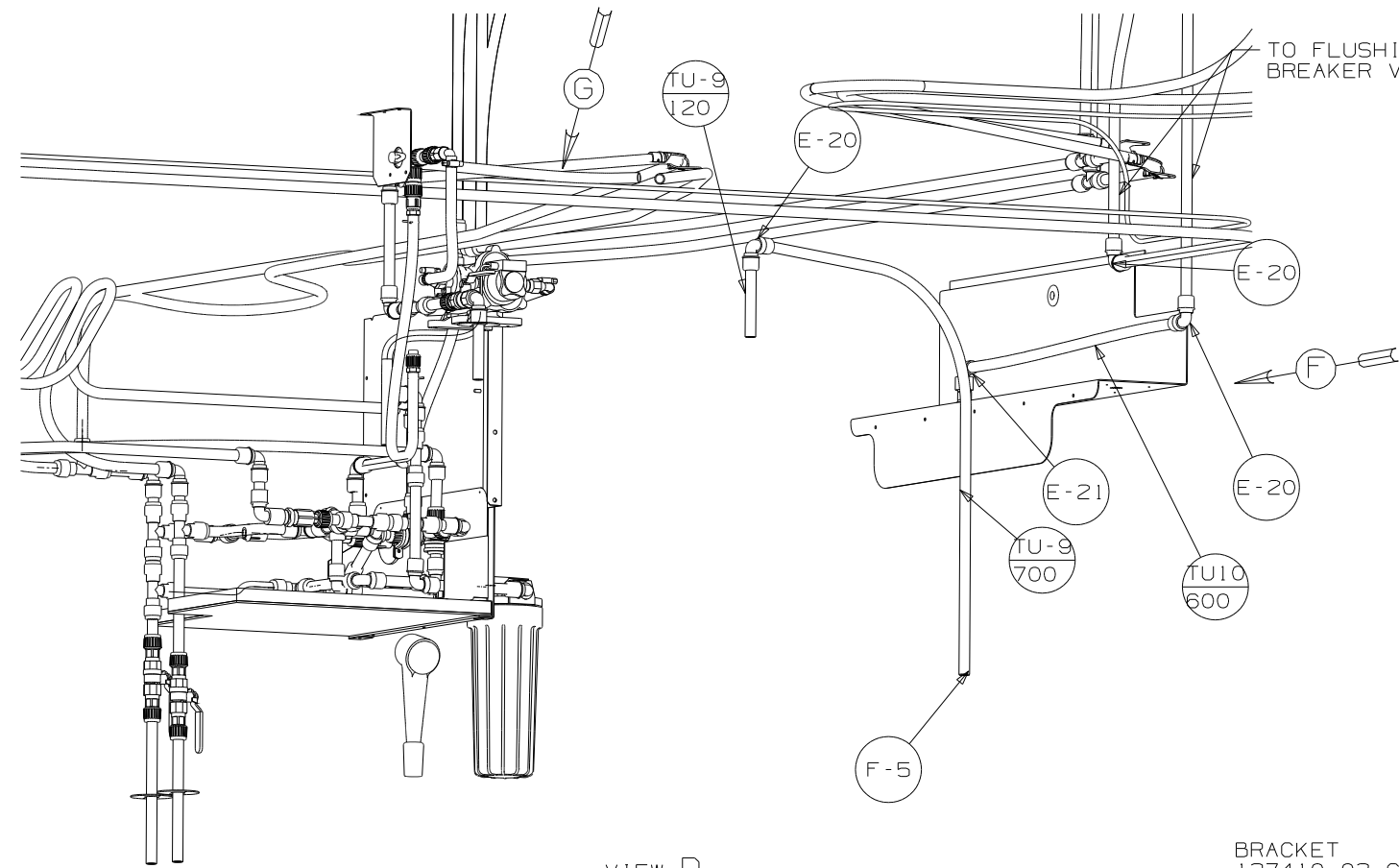


VIEW C
WIN 43A



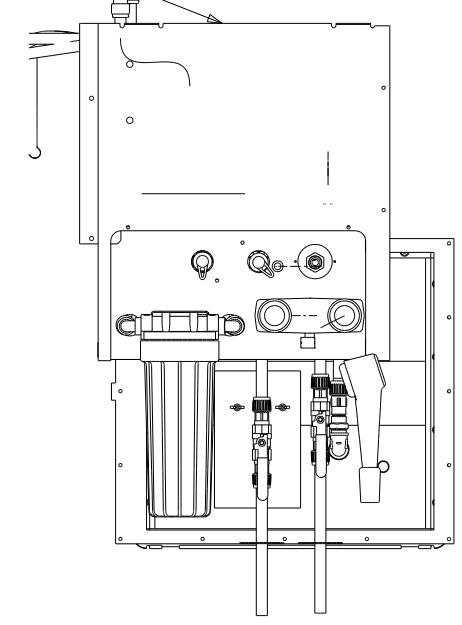
VIEW C
ITA 43A

FIRST USED	07 P34H		
TITLE	DO NOT SCALE DRAWING		
	WATER SYSTEM INSTL		
SHEET 3	PART NO	158309	REV

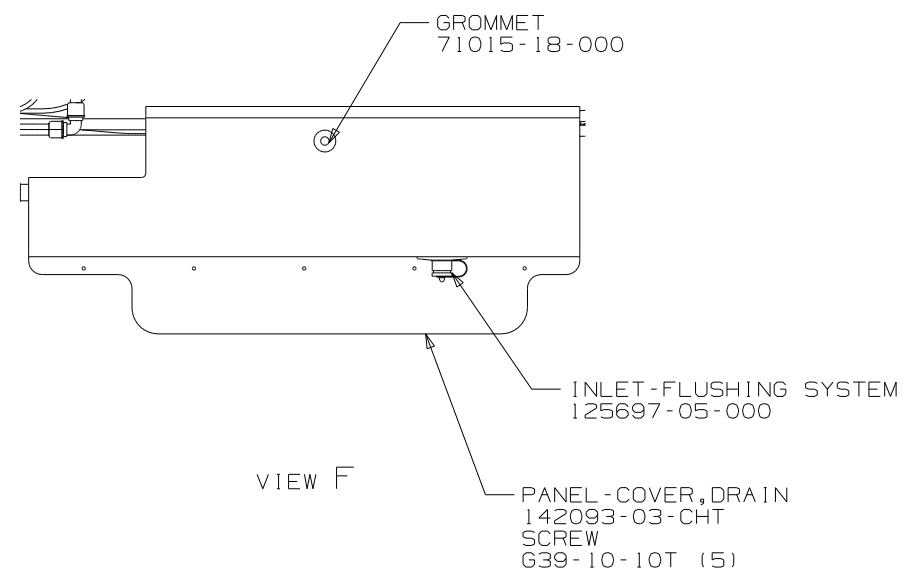


VIEW D

PANEL ASM-SERVICE CENTER
156842-01-XXX

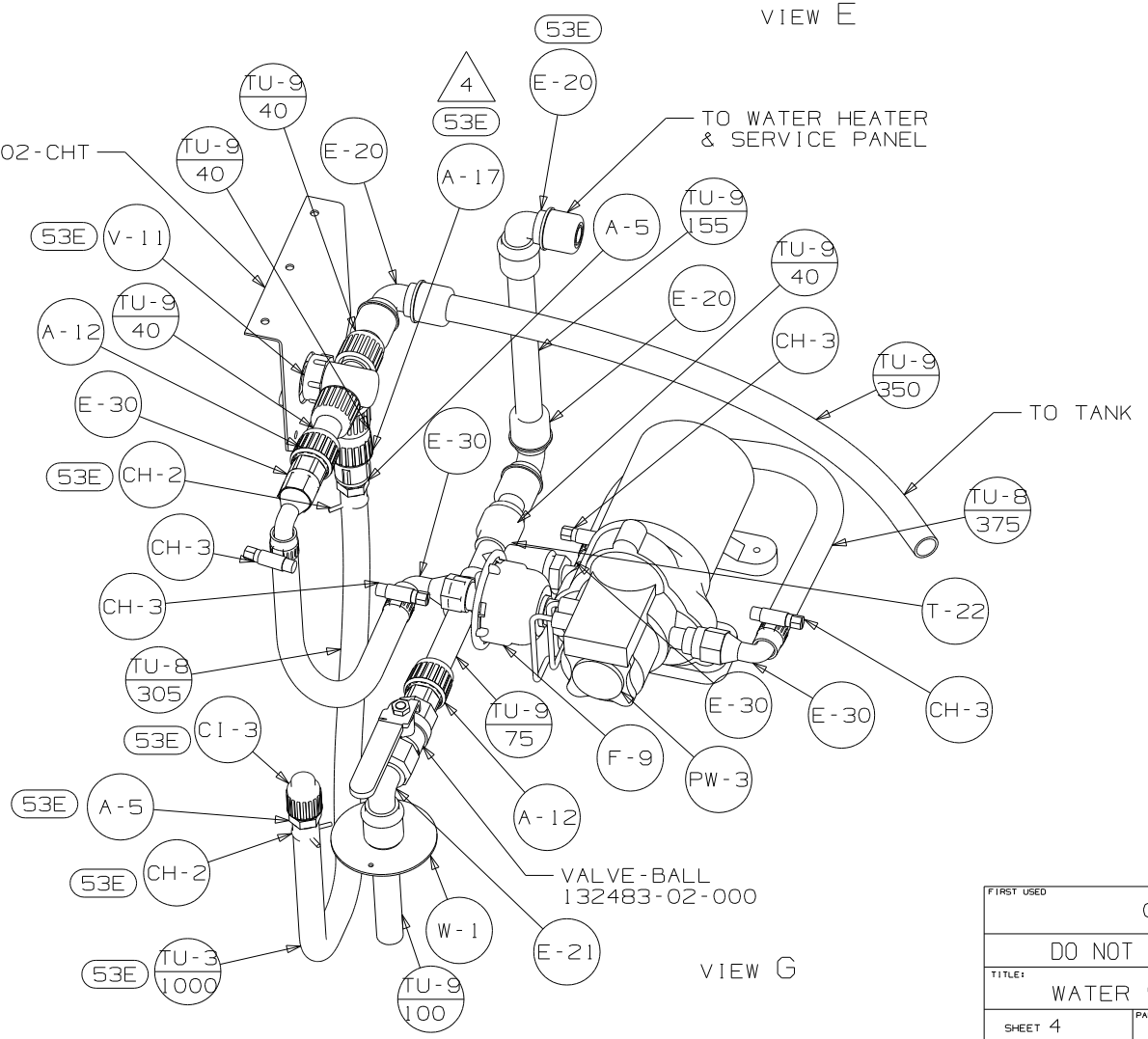


VIEW E



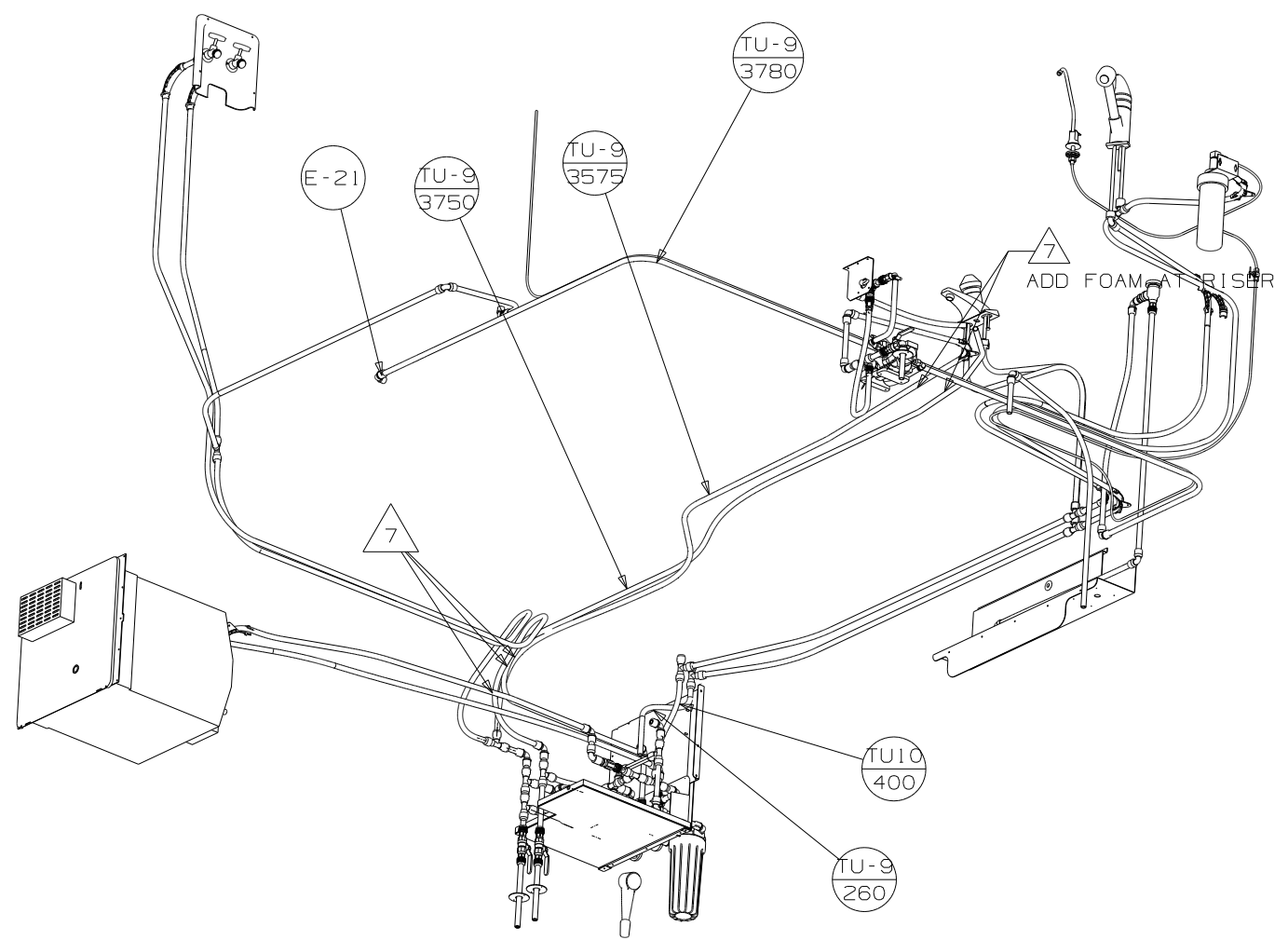
VIEW F

BRACKET
137410-02-CHT



VIEW G

FIRST USED	07 P34H
TITLE	DO NOT SCALE DRAWING
TITLE	WATER SYSTEM INSTL
SHEET 4	PART NO 158309 REV



VIEW H

FIRST USED	07 P34H	
TITLE	DO NOT SCALE DRAWING	
	WATER SYSTEM INSTL	
SHEET 5	PART NO 158309	REV