

Table of Contents

2007 Journey/Meridian P34SH Wiring Diagram Book

110 Volt Load Center/Auto Transfer Switch
AC/Heat/EMS Wiring Diagram
Antenna Installation, Radio and CB
Auto Lamps Wiring Diagram
Automotive Wiring Diagram
Backup Monitor Installation
Battery Installation
Body, 110 Volt Wiring Diagram
Body, 110 Volt Wiring Installation
Body, 12 Volt Wiring Diagram
Body, 12 Volt Wiring Installation
Chassis Wiring Installation
Dash Radio Installation
Exterior Lamps Wiring Installation
Front End Wiring Installation
GPS Wiring Installation
Holding Tank Monitor Panel
Holding Tanks Wiring Diagram
Trip Computer Wiring Installation
TV Coax Wiring Diagram
TV/DVD, Front Wiring Installation

Complete Wiring Diagram Book (701674-76-046)





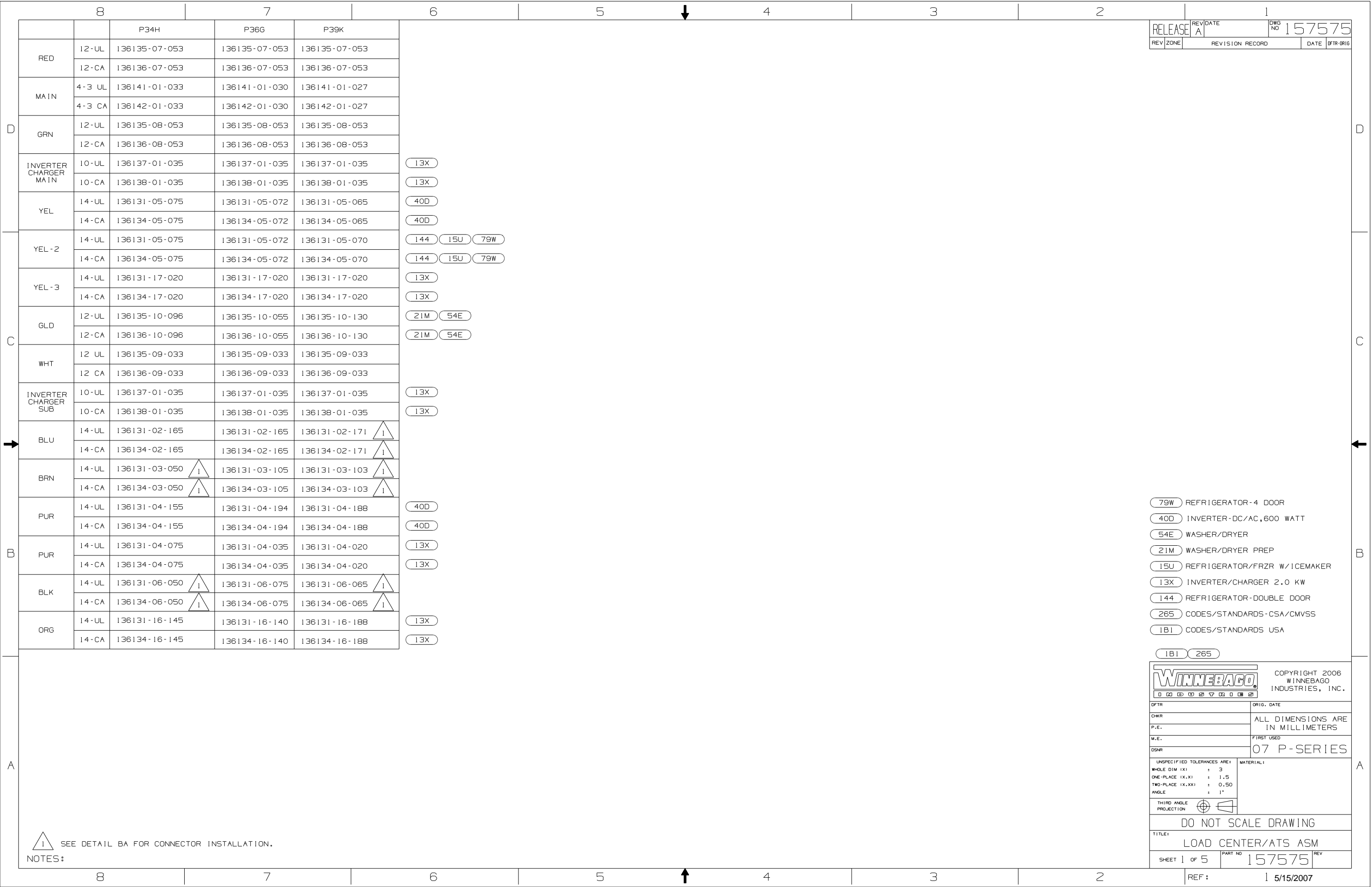
DANGER

Danger of electrical shock, burns or death. Always remove all power sources before attempting any repair, service or diagnostic work. Power can be present from shore power, generator, inverter or battery. All power sources must be disabled and secured before performing any service.



CAUTION

If you lack the skills, tools or equipment to perform diagnostic or repair work leave such work to an authorized Winnebago Industries dealer or other qualified shop.



- (79W) REFRIGERATOR-4 DOOR
- (40D) INVERTER-DC/AC,600 WATT
- (54E) WASHER/DRYER
- (21M) WASHER/DRYER PREP
- (15U) REFRIGERATOR/FRZR W/ICEMAKER
- (13X) INVERTER/CHARGER 2.0 KW
- (144) REFRIGERATOR-DOUBLE DOOR
- (265) CODES/STANDARDS-CSA/CMVSS
- (181) CODES/STANDARDS USA

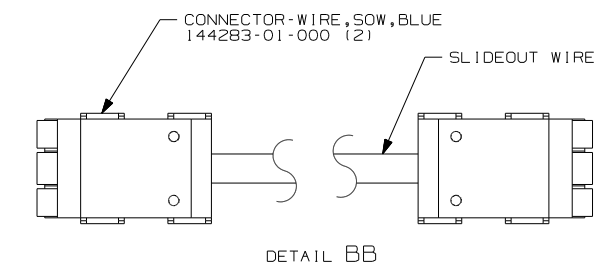
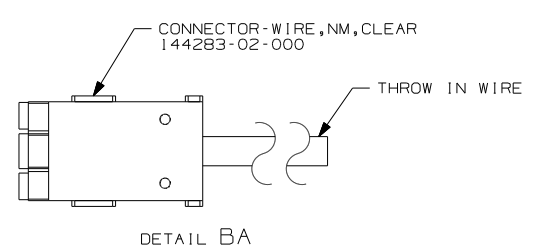
WINNEBAGO COPYRIGHT 2006 WINNEBAGO INDUSTRIES, INC.

DFTR	ORIG. DATE
CHKR	ALL DIMENSIONS ARE IN MILLIMETERS
P.E.	
M.E.	FIRST USED
DSNR	07 P-SERIES
UNSPECIFIED TOLERANCES ARE:	MATERIAL:
WHOLE DIM (X) : 3	
ONE-PLACE (X.X) : 1.5	
TWO-PLACE (X.XX) : 0.50	
ANGLE : 1°	
THIRD ANGLE PROJECTION	
DO NOT SCALE DRAWING	
TITLE: LOAD CENTER/ATS ASM	
SHEET 1 OF 5	PART NO 157575 REV
REF:	1 5/15/2007

SEE DETAIL BA FOR CONNECTOR INSTALLATION.
 NOTES:

		P34H	P36G	P39K
GROUND MAIN		136145-01-023	136145-01-023	136145-01-023
GROUND SUB		136145-01-023	136145-01-023	136145-01-023
ATS GROUND		136145-01-008	136145-01-008	136145-01-011
INVERTER CASE GROUND		136145-01-010	136145-01-010	136145-01-020
GENERATOR CABLE ASM		136148-02-105	136148-02-108	136148-02-115
CONDUIT ASM-CENTRAL A/C		151704-01-029	151704-01-029	151704-01-029
THROW IN WIRE #1	14-UL	136131-04-140	136131-03-080 ¹	136131-04-050 ¹
	14-CA	136134-04-140	136134-03-080 ¹	136134-04-050 ¹
THROW IN WIRE #2	14-UL	136131-03-040 ¹	136131-04-150	136131-04-006 ¹
	14-CA	136134-03-040 ¹	136134-04-150	136134-04-006 ¹
THROW IN WIRE #3	14-UL	136131-06-020 ¹	136131-12-062 (40D)	136131-02-085 ¹
	14-CA	136134-06-020 ¹	136134-12-062 (40D)	136134-02-085 ¹
THROW IN WIRE #4	14-UL	136131-12-105	-----	136131-04-145
	14-CA	136134-12-105	-----	136134-04-145
THROW IN WIRE #5	14-UL	-----	-----	136131-02-017 ¹
	14-CA	-----	-----	136134-02-017 ¹
THROW IN WIRE #6	14-UL	-----	-----	136131-02-003 ¹
	14-CA	-----	-----	136134-02-003 ¹
THROW IN WIRE #7	14-UL	-----	-----	X
	14-CA	-----	-----	X
THROW IN WIRE #8	14-UL	-----	-----	X
	14-CA	-----	-----	X
THROW IN WIRE #9	14-UL	-----	-----	X
	14-CA	-----	-----	X
THROW IN WIRE #10	14-UL	-----	-----	X
	14-CA	-----	-----	X

	P34H	P36G	P39K
SLIDEOUT #1 WIRE #1	136151-03-017 ²	136151-03-030 ²	136151-03-060 ²
SLIDEOUT #1 WIRE #2	136151-06-017 ²	----	----
SLIDEOUT #2 WIRE #1	----	----	136151-04-020 ²
SLIDEOUT #3 WIRE #1	----	----	136151-02-017 ²
SLIDEOUT #3 WIRE #2	----	----	136151-06-017 ²
SLIDEOUT #3 WIRE #3	----	----	136151-02-025 ²



- NOTES:
- ³ SEE WIRING INSTL-BODY, 110V FOR ADDITIONAL INFORMATION.
 - ² SEE DETAIL BB FOR CONNECTOR INSTALLATION.
 - ¹ SEE DETAIL BA FOR CONNECTOR INSTALLATION.

- (40D) INVERTER-DC/AC, 600 WATT
- (265) CODES/STANDARDS-CSA/CMVSS
- (1B1) CODES/STANDARDS USA

(1B1) (265)

FIRST USED

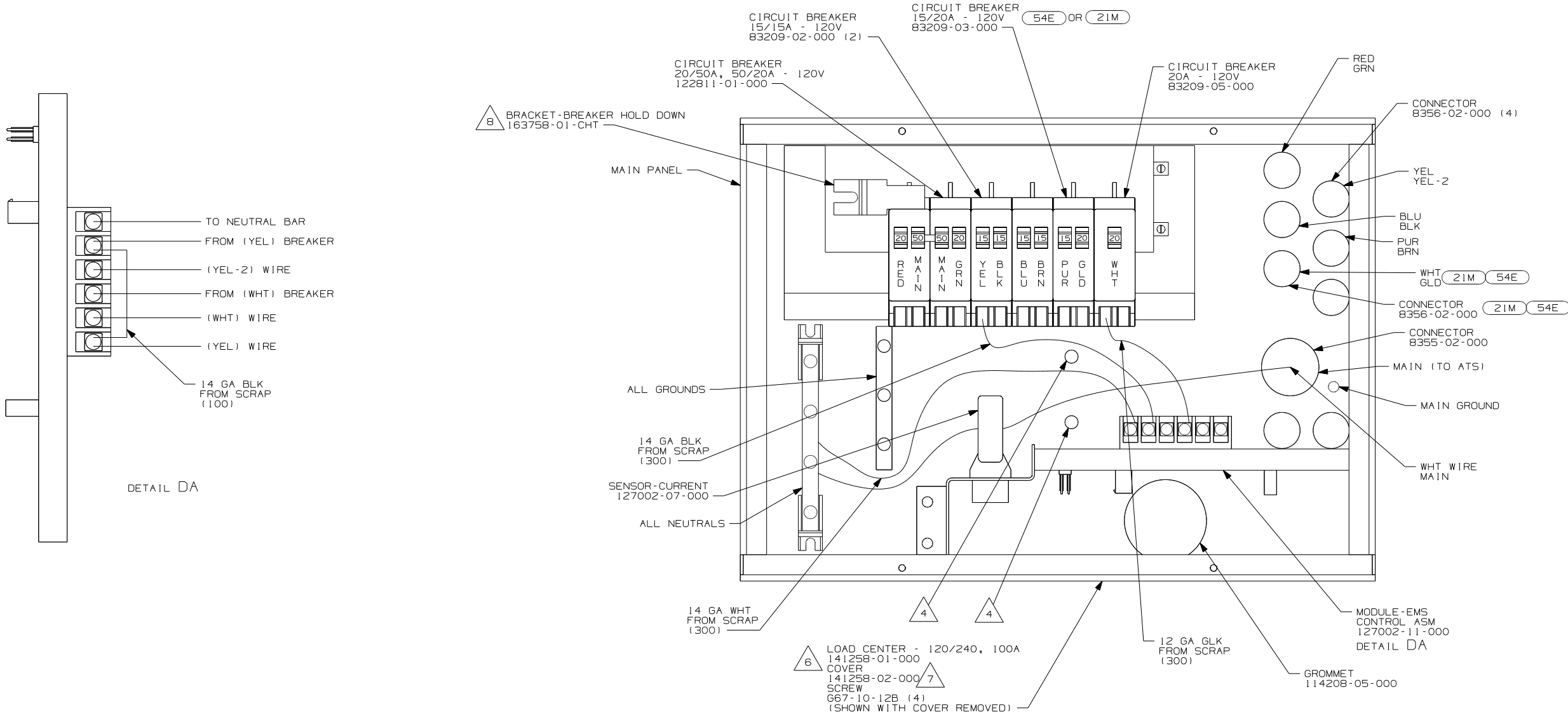
07 P-SERIES

DO NOT SCALE DRAWING

TITLE: LOAD CENTER/ATS ASM

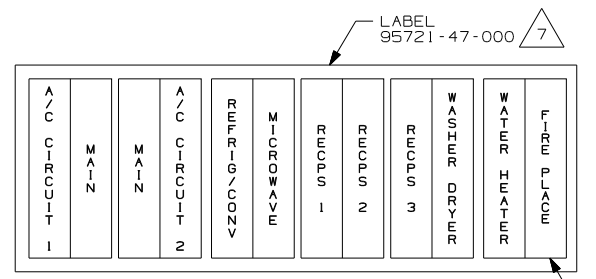
SHEET 2 PART NO 157575 REV

1 5/15/2007



DETAIL DA

- 8 LOOSEN LEFT BUSS BAR MOUNTING SCREW, INSERT BRACKET-BREAKER HOLD DOWN UNDER SCREW, ORIENTATE BRACKET TOWARD MAIN BREAKER AS SHOWN AND TIGHTEN SCREW.
- 7 INSTALLED BY ASSEMBLY LINE.
- 6 REMOVE 400MM FROM OUTER JACKET ON ALL WIRES ENTERING LOAD CENTER AND TRIM INDIVIDUAL CONDUCTORS AS REQUIRED TO MAKE INTERNAL CONNECTIONS
- 5 BLACKEN OUT FIRE PLACE WITH BLACK MARKER.
- 4 ATTACH WIRES TO BACKSIDE OF LOAD CENTER, USE EXISTING HOLES AND TIE-WIRE 116673-01-000.
3. ALL 110V STRANDED WIRE W/O TERMINALS TO BE STRIPPED 10MM AND SOLDER DIPPED.
2. ALL WIRES ARE NOT SHOWN FOR CLARITY.
1. ALL GROUND WIRES TO BE COVERED WITH TUBING 8041-02-000.

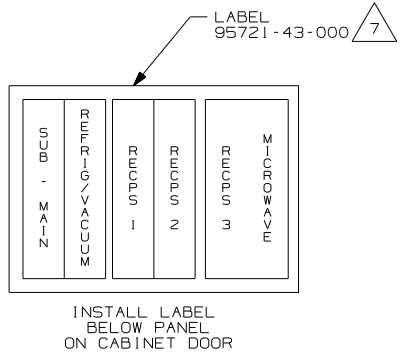
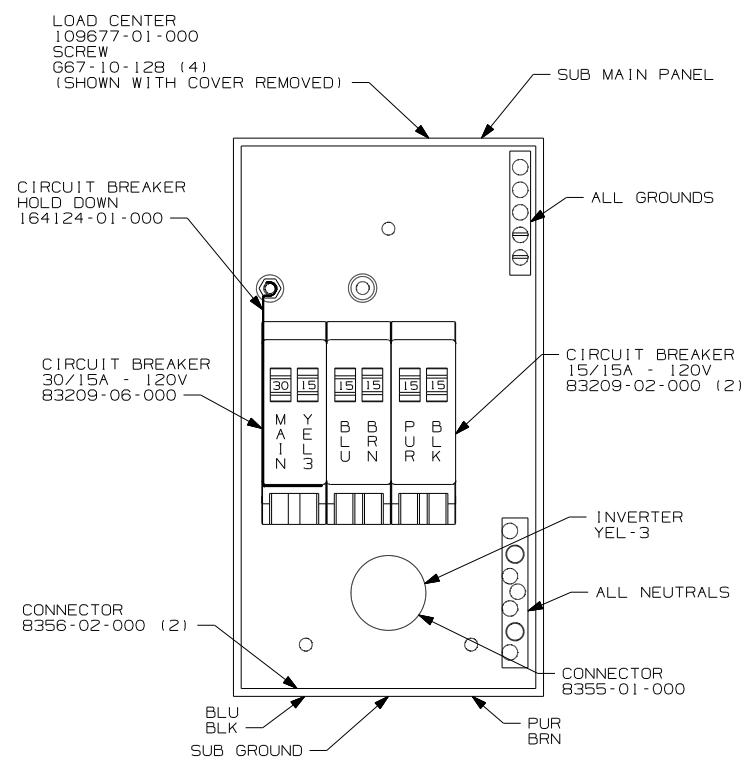


- 54E WASHER/DRYER
- 21M WASHER/DRYER PREP
- 40D INVERTER-DC/AC, 600 WATT
- 265 CODES/STANDARDS-CSA/CMVSS
- 1B1 CODES/STANDARDS USA

FIRST USED	
07 P-SERIES	
DO NOT SCALE DRAWING	
TITLE: LOAD CENTER/ATS ASM	
SHEET 3	PART NO 157575

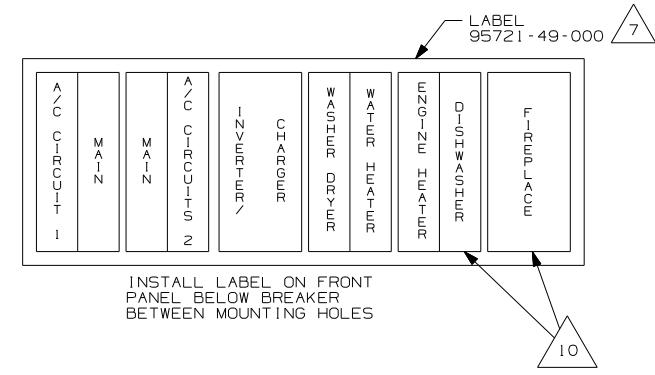
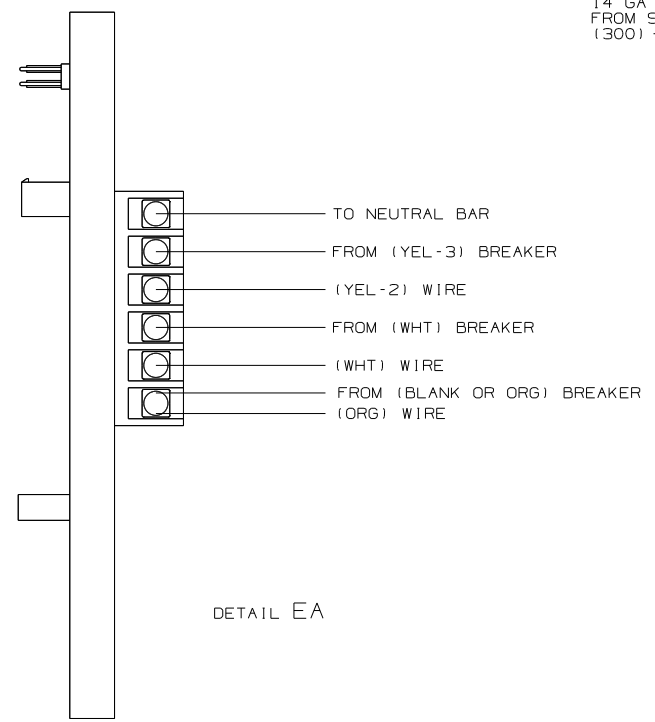
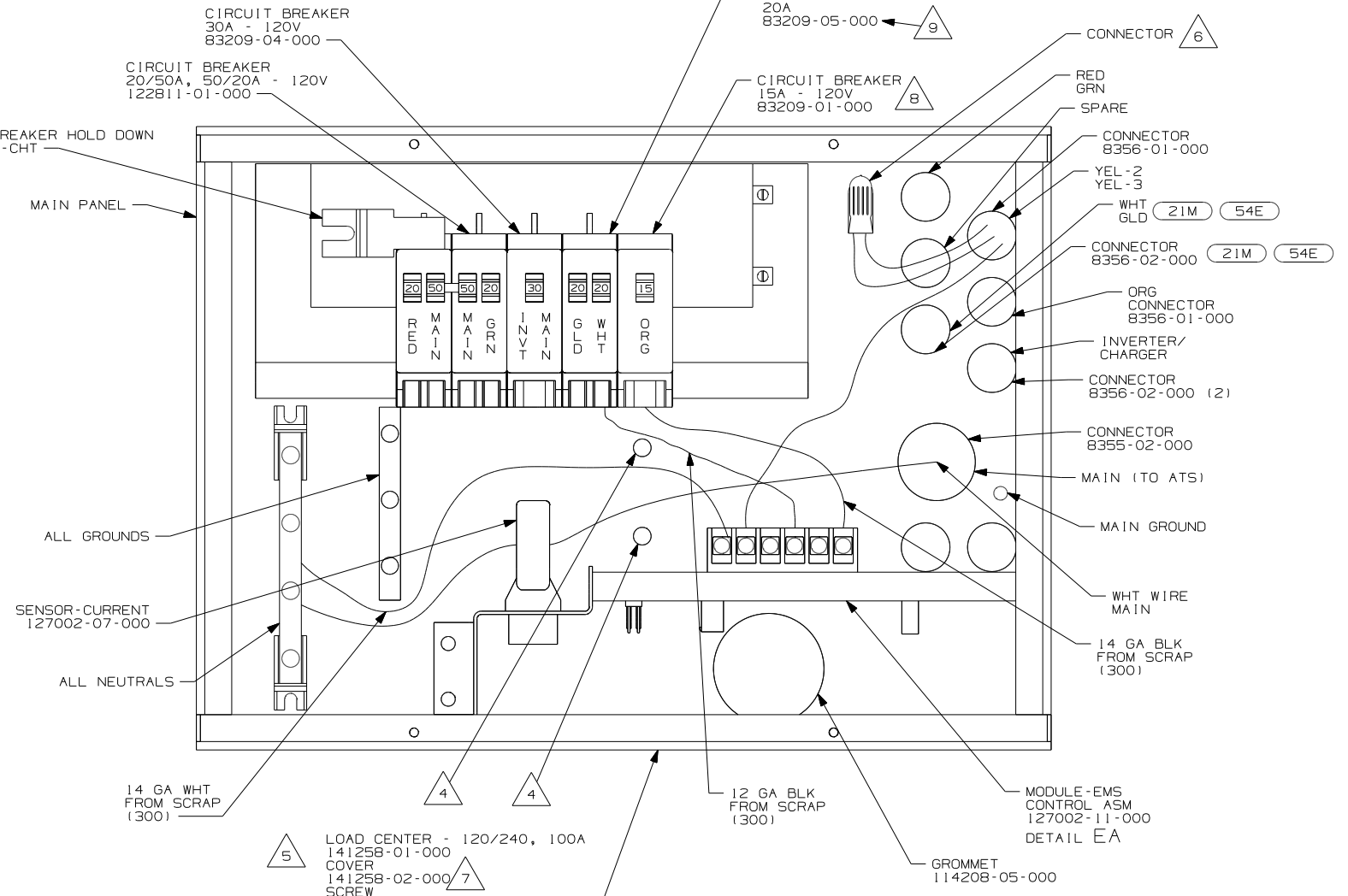
FOR ELECTRICAL TORQUE SPECIFICATIONS SEE DWG NO. 128783-01-000

X-X FOR ELECTRICAL CALLOUTS SEE DWG NO. 121339-01-000



- 11. LOOSEN LEFT BUSS BAR MOUNTING SCREW, INSERT BRACKET-BREAKER HOLD DOWN UNDER SCREW, ORIENTATE BRACKET TOWARD MAIN BREAKER AS SHOWN AND TIGHTEN SCREW.
 - 10. BLACKEN OUT DISHWASHER AND FIREPLACE WITH BLACK MARKER.
 - 9. WITHOUT (21M) OR (54E)
 - 8. BREAKER AND JUMPER WIRE NEEDED TO MAKE THE EMS PANEL FUNCTION CORRECTLY.
 - 7. INSTALLED BY ASSEMBLY LINE.
 - 6. DO NOT CONNECT WHT WIRE FROM YEL-2, YEL-3 CIRCUITS TO NEUTRAL BAR. CONNECT TO EACH OTHER WITH CONNECTOR 8313-01-000 AS SHOWN.
 - 5. REMOVE 400MM FROM OUTER JACKET ON ALL WIRES ENTERING LOAD CENTER AND TRIM INDIVIDUAL CONDUCTORS AS REQUIRED TO MAKE INTERNAL CONNECTIONS
 - 4. ATTACH WIRES TO BACKSIDE OF LOAD CENTER, USE EXISTING HOLES AND TIE-WIRE 116673-01-000.
3. ALL 110V STRANDED WIRE W/O TERMINALS TO BE STRIPPED 10MM AND SOLDER DIPPED.
 2. ALL WIRES ARE NOT SHOWN FOR CLARITY.
 1. ALL GROUND WIRES TO BE COVERED WITH TUBING 8041-02-000.

NOTES:

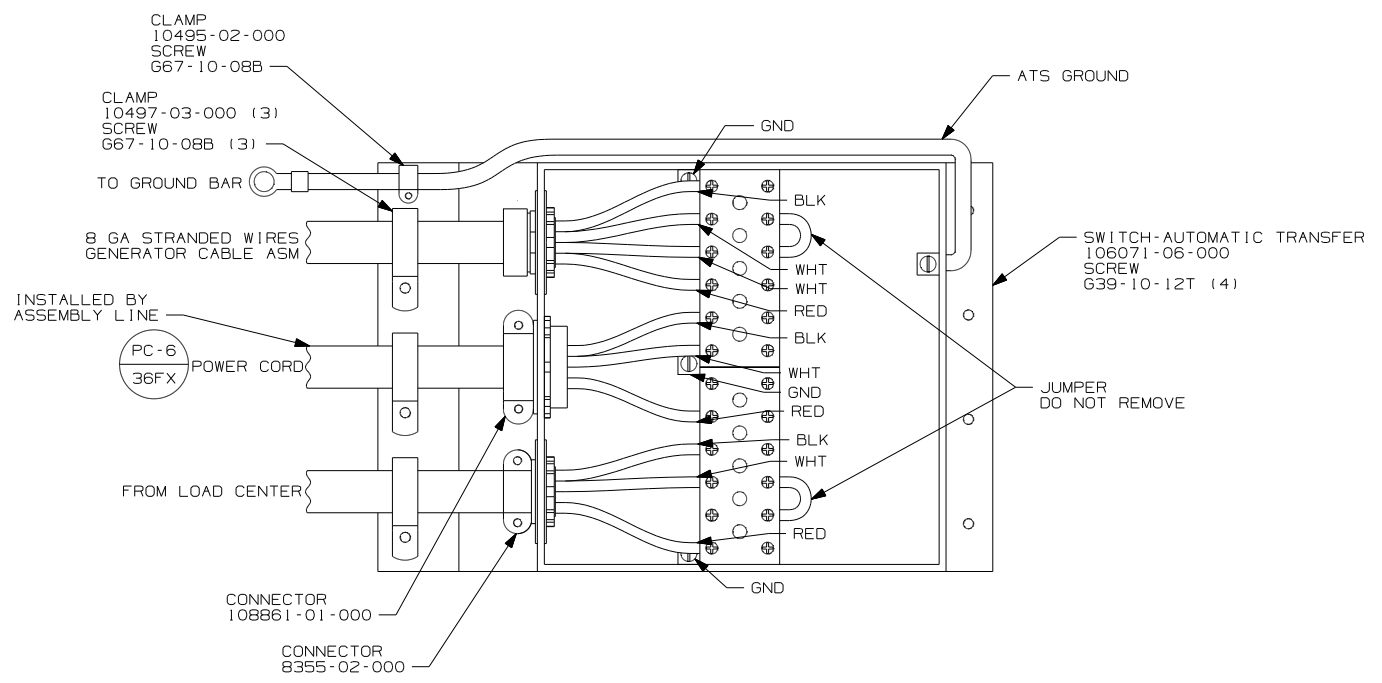


FOR ELECTRICAL TORQUE SPECIFICATIONS SEE DWG NO. 128783-01-000

FOR ELECTRICAL CALLOUTS SEE DWG NO. 121339-01-000

- (54E) WASHER/DRYER
- (21M) WASHER/DRYER PREP
- (13X) INVERTER/CHARGER 2.0 KW
- (78J) ELECTRICAL SYSTEM-50 AMP
- (265) CODES/STANDARDS-CSA/CMVSS
- (1B1) CODES/STANDARDS USA

FIRST USED	07 P-SERIES	
TITLE:	DO NOT SCALE DRAWING	
SHEET 4	PART NO	157575
	REV	



265 CODES/STANDARDS - CSA/CMVSS

1B1 CODES/STANDARDS USA

1B1 265

FIRST USED 07 P-SERIES

DO NOT SCALE DRAWING

TITLE: LOAD CENTER/ATS ASM

SHEET 5 PART NO 157575 REV

FOR ELECTRICAL TORQUE SPECIFICATIONS SEE DWG NO. 128783-01-000

FOR ELECTRICAL CALLOUTS SEE DWG NO. 121339-01-000

WITHOUT HEAT PUMP

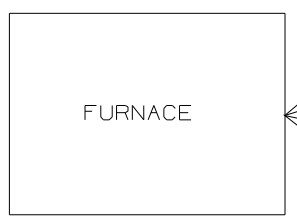
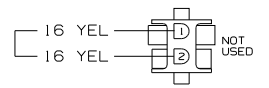
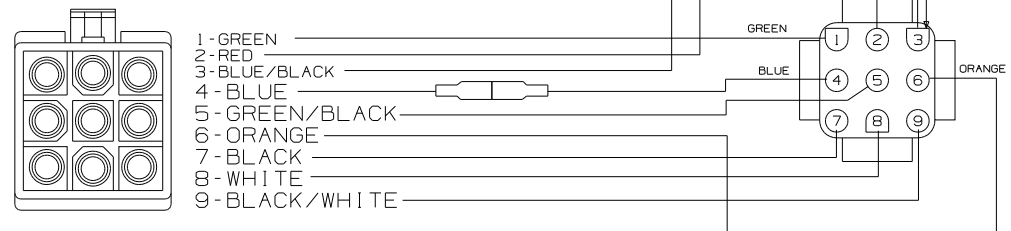
VENDOR SUPPLIED HARNESS

WINNEBAGO SUPPLIED HARNESS

THERMOSTAT

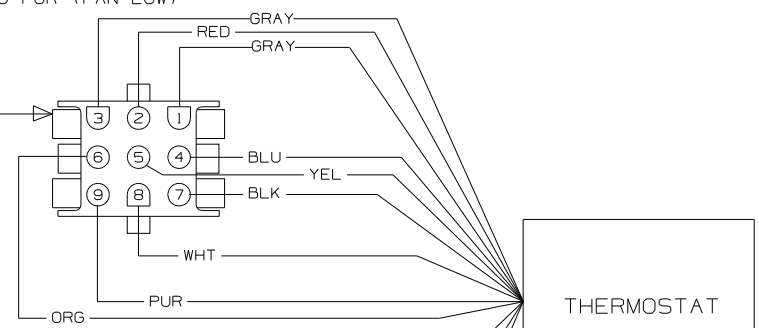
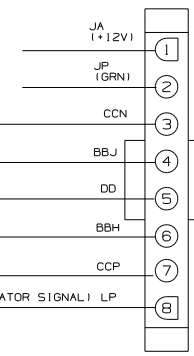
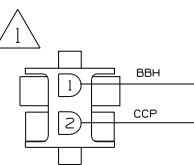
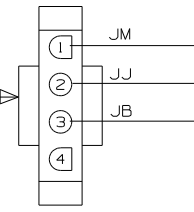
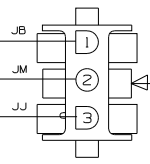
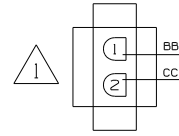
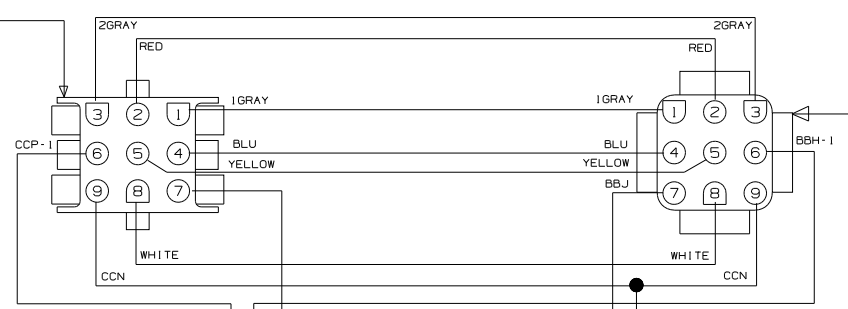
- 1-GRY (FREEZE SWITCH & EXCLUSION RELAY)
- 2-RED (+12VDC)
- 3-GRY (FREEZE SWITCH & EXCLUSION RELAY)
- 4-BLU (-12VDC)
- 5-YEL (COOLING COMPRESSOR #1)
- 6-ORG (COOLING COMPRESSOR #2)
- 7-BLK (FAN HIGH)
- 8-WHT (HEAT PUMP)
- 9-PUR (FAN LOW)

CONNECTS TO AIR CONDITIONER



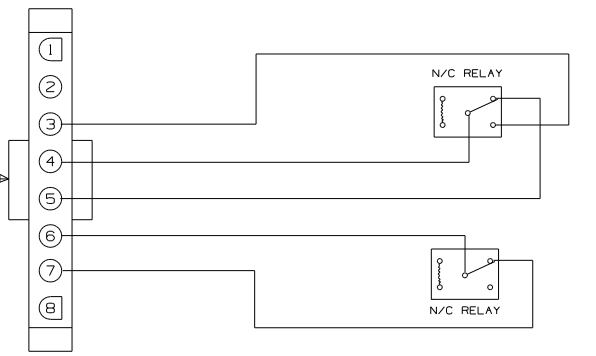
- 1-YEL (12VDC NEGATIVE)
- 2-BLU (FROM T-STAT)
- 3-RED (12VDC POSITIVE)
- 4-BLU

FURNACE



- 1-RED (12VDC POSITIVE)
- 2-BLU (12VDC NEGATIVE)
- 3-WHT (GAS FURNACE)

LOAD SHEDDER BOARD



WIRING DIAGRAM-THERMOSTAT,EXT
(WIRE ASM 135131
WITHOUT HEAT PUMP)

1. CONNECT HOUSING TOGETHER.

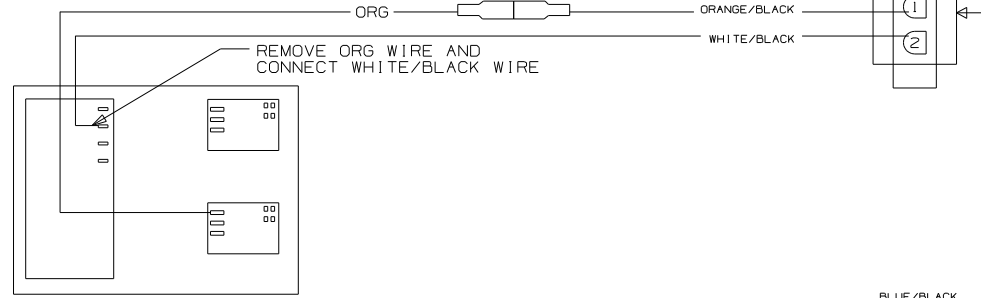
NOTES:

WINNEBAGO		COPYRIGHT 2004 WINNEBAGO INDUSTRIES, INC.	
DFTR	ORIG. DATE		
CHKR	P.E.	ALL DIMENSIONS ARE IN MILLIMETERS	
M.E.	FIRST USED	03 SERIES	
DSNR	UNSPECIFIED TOLERANCES ARE:	MATERIAL:	
	WHOLE DIM (X) :		
	ONE-PLACE (X.X) :		
	TWO-PLACE (X.XX) :		
	ANGLE :		
	THIRD ANGLE PROJECTION		
DO NOT SCALE DRAWING			
TITLE: WIRING DIAGRAM-AC/HEAT/EMS			
SHEET 1 OF 2	PART NO	138913	
REF:	1 07/08/2004		

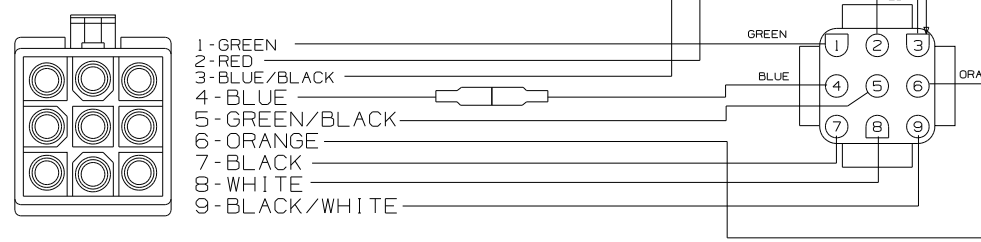
WITH HEAT PUMP

VENDOR SUPPLIED HARNESS

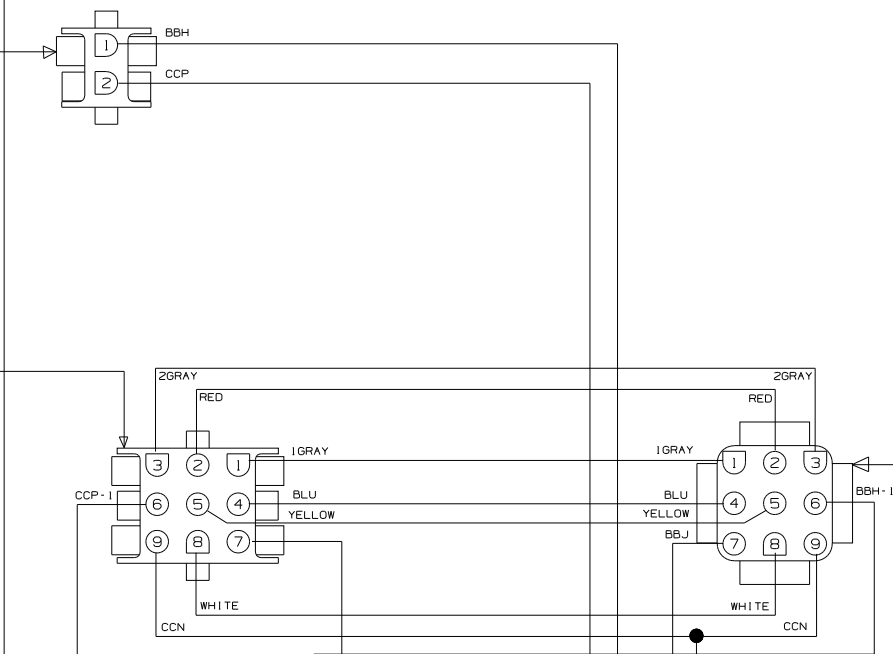
ORG WIRE IS REMOVED FORM TERMINAL AND CONNECTED TO ORG/BLK WIRE THEN WHT/BLK WIRE IS CONNECTED TO THE TERMINAL WHERE THE ORG WIRE WAS.



CONNECTS TO AIR CONDITIONER

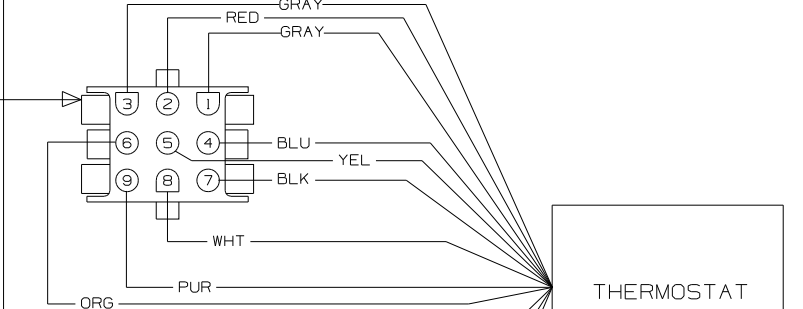


WINNEBAGO SUPPLIED HARNESS



THERMOSTAT

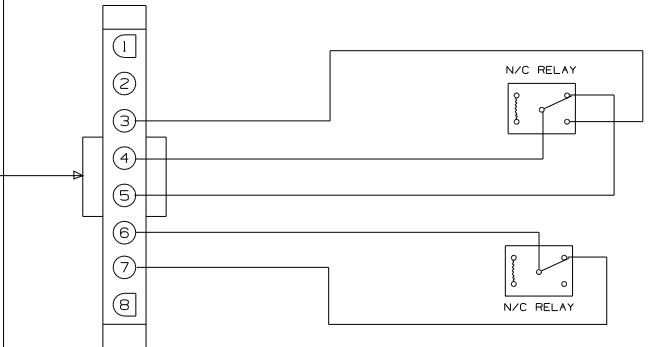
- 1-GRY (FREEZE SWITCH & EXCLUSION RELAY)
- 2-RED (+12VDC)
- 3-GRY (FREEZE SWITCH & EXCLUSION RELAY)
- 4-BLU (-12VDC)
- 5-YEL (COOLING COMPRESSOR #1)
- 6-ORG (COOLING COMPRESSOR #2)
- 7-BLK (FAN HIGH)
- 8-WHT (HEAT PUMP)
- 9-PUR (FAN LOW)



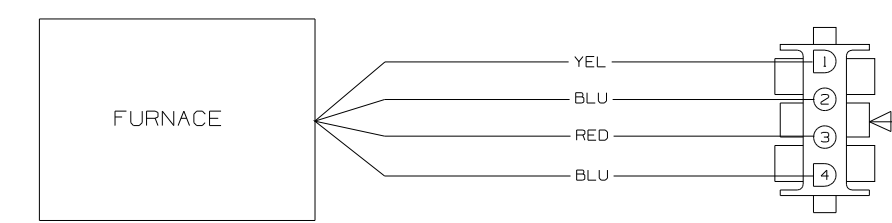
THERMOSTAT

- 1-RED (12VDC POSITIVE)
- 2-BLU (12VDC NEGATIVE)
- 3-WHT (GAS FURNACE)

LOAD SHEDDER BOARD



WIRING DIAGRAM-THERMOSTAT,EXT
(WIRE ASM 135131
WITH HEAT PUMP)



- 1-YEL (12VDC NEGATIVE)
- 2-BLU (FROM T-STAT)
- 3-RED (12VDC POSITIVE)
- 4-BLU

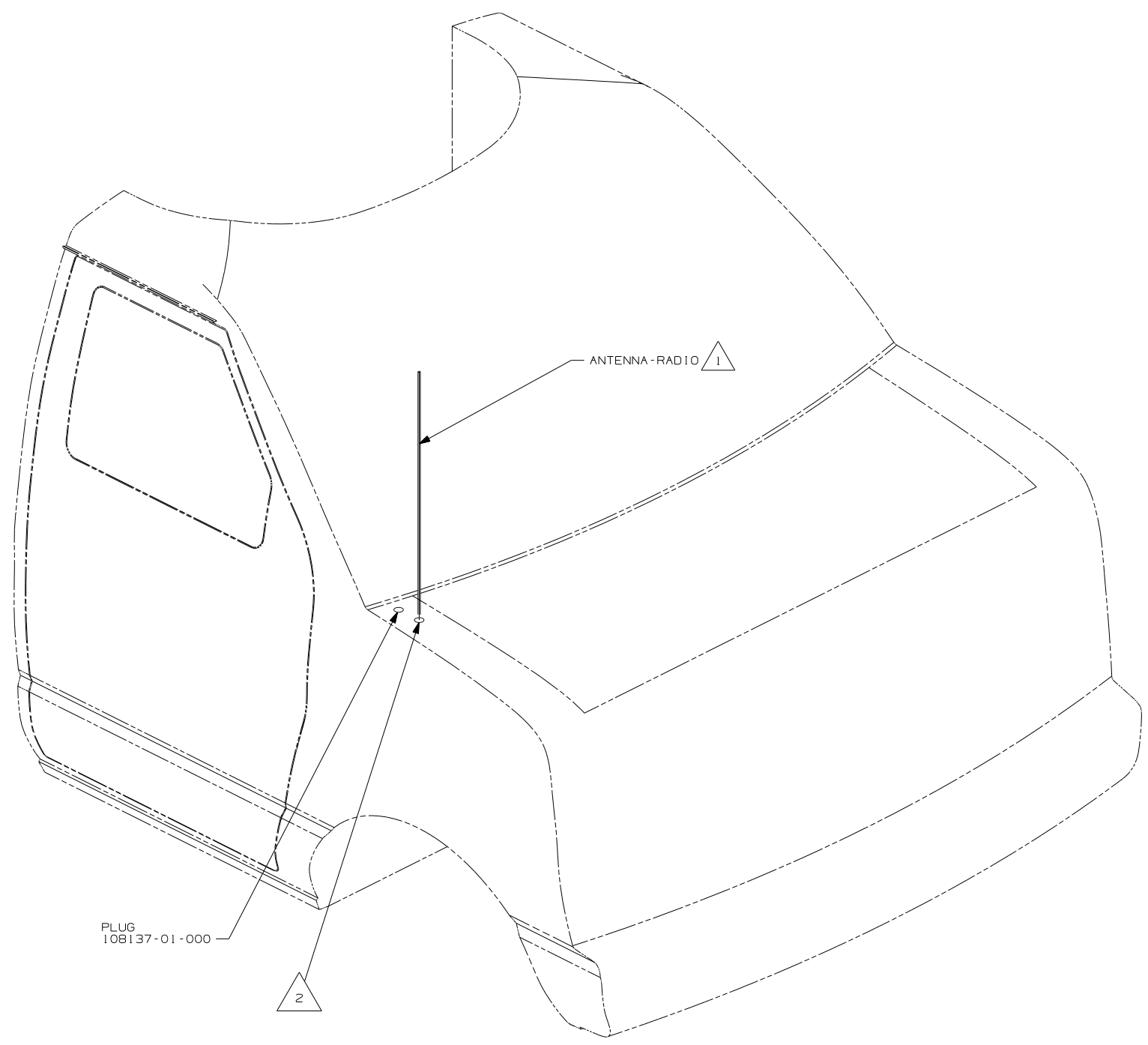
FURNACE

NOTES:
1. RLC FOR 2001 THIS RESET WAS DELETED.

FIRST USED	03 SERIES
DO NOT SCALE DRAWING	
TITLE:	WIRING DIAGRAM-AC/HEAT/EMS
SHEET 2	PART NO 138913

DWG NO	SHEET	SERIES
156329-01	1	200
156329-02	2	300
156329-03	3	500
156329-04	4	700
156329-05	5	D, E, F, G
156329-06	6	P, S, R

RELEASE	REV DATE	DWG NO
A		156329
REV ZONE	REVISION RECORD	DATE DFR-ORIG



- NOTES:
- 2 SEE CHASSIS-MODIFIED DRAWING FOR HOLE LOCATION AND SIZE.
 - 1 SUPPLIED WITH CHASSIS.

WINNEBAGO COPYRIGHT 2006 WINNEBAGO INDUSTRIES, INC.

DFTR	ORIG. DATE
CHKR	ALL DIMENSIONS ARE IN MILLIMETERS
P.E.	
M.E.	FIRST USED
DSNR	07 MOTORHOMES

UNSPECIFIED TOLERANCES ARE:

WHOLE DIM (X)	:	
ONE-PLACE (X.X)	:	
TWO-PLACE (X.XX)	:	
ANGLE	:	

MATERIAL:

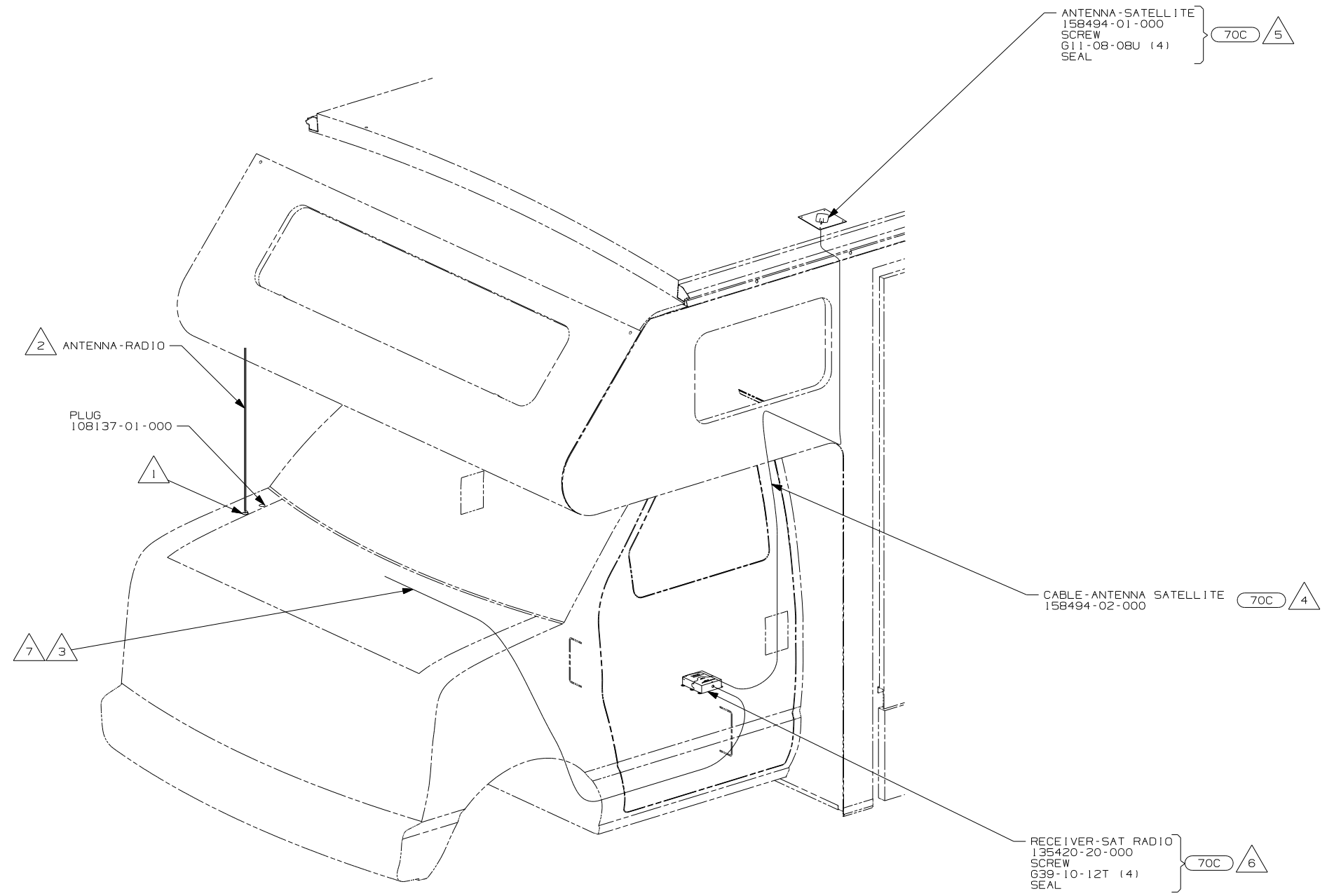
THIRD ANGLE PROJECTION

DO NOT SCALE DRAWING

TITLE: ANTENNA INSTL-RADIO AND CB

SHEET 1 OF 6 PART NO 156329 REV

REF: 1 8/16/2006

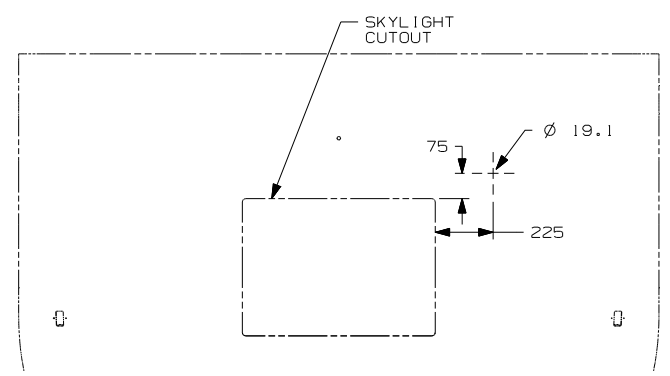


- 7 RECEIVER CABLE SUPPLIED WITH RECEIVER.
- 6 MOUNT RECEIVER TO CAB FLOOR UNDER DRIVERS SEAT NEXT TO FORD MODULE. BE SURE NOT TO SCREW THROUGH ANY WIRES THAT GO TO THE MODULE. SEAL ALL SCREWS.
- 5 MOUNT ANTENNA SUCH THAT BASE IS SQUARE WITH ROOF AND HOLE IS DIRECTLY OVER HOLE IN ROOF. SEAL BOTH THE HOLE IN THE ROOF AND ANTENNA BASE AT SCREWS.
- 4 ON 300-SER ROUTE ANTENNA CABLE FROM UNDER DRIVER'S SEAT UP B-POST, INTO WINGWALL, THROUGH SLEEP BOARD ASM TO ANTENNA HOLE IN ROOF ASM.
- 3 ROUTE RECEIVER CABLE ALONG WITH CHASSIS HARNESS TO BATTERY BOOST SWITCH, CONTINUE RECEIVER CABLE TO DASH RADIO.
- 2 SUPPLIED WITH CHASSIS.
- 1 SEE CHASSIS-MODIFIED DRAWING FOR HOLE LOCATION AND SIZE.

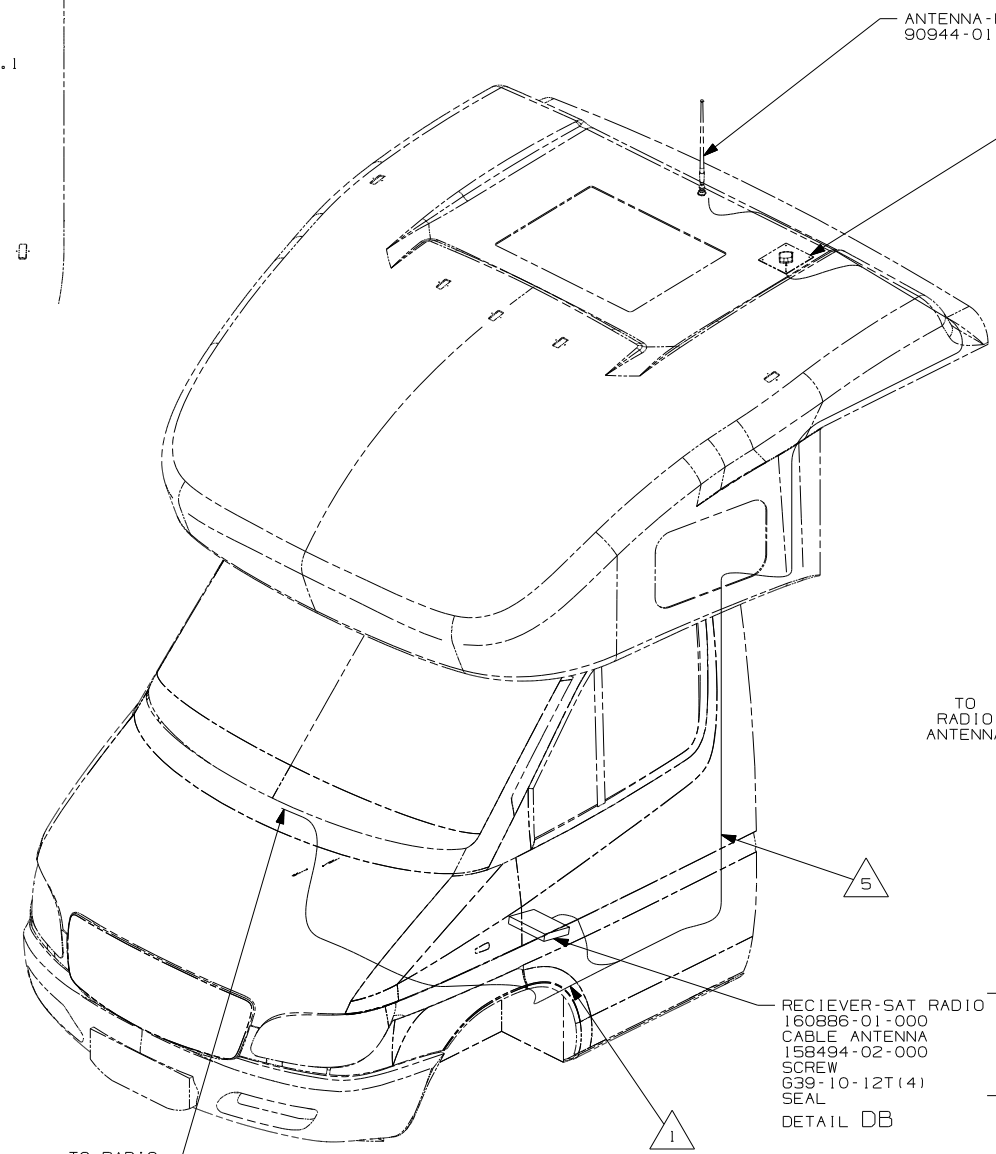
NOTES:

70C RADIO - SATELLITE

FIRST USED	
07 MOTORHOMES	
DO NOT SCALE DRAWING	
TITLE: ANTENNA INSTL-RADIO AND CB	
SHEET 2	PART NO 156329 REV



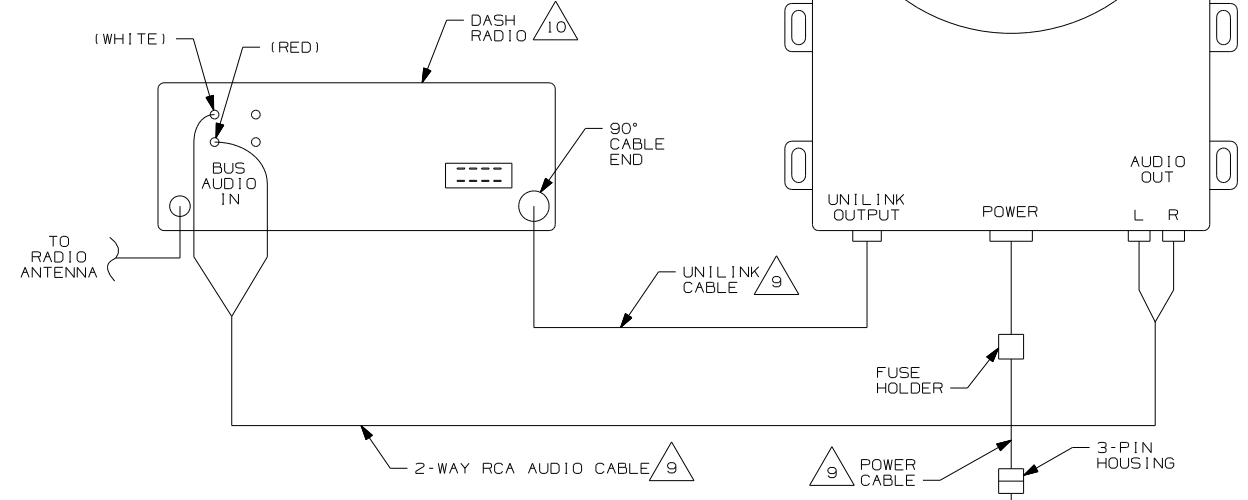
DETAIL DA 70C



ANTENNA-RADIO
90944-01-000
2 7

ANTENNA-SATELLITE RADIO 70C 3 4
158494-01-000
SCREW
G11-08-08U (4)
SEAL
DETAIL DA

RECIEVER-SAT RADIO } 70C 6 8
160886-01-000
CABLE ANTENNA
158494-02-000
SCREW
G39-10-12T(4)
SEAL
DETAIL DB



DETAIL DB
UNDER DRIVERS
SEAT

70C RADIO - SATELLITE

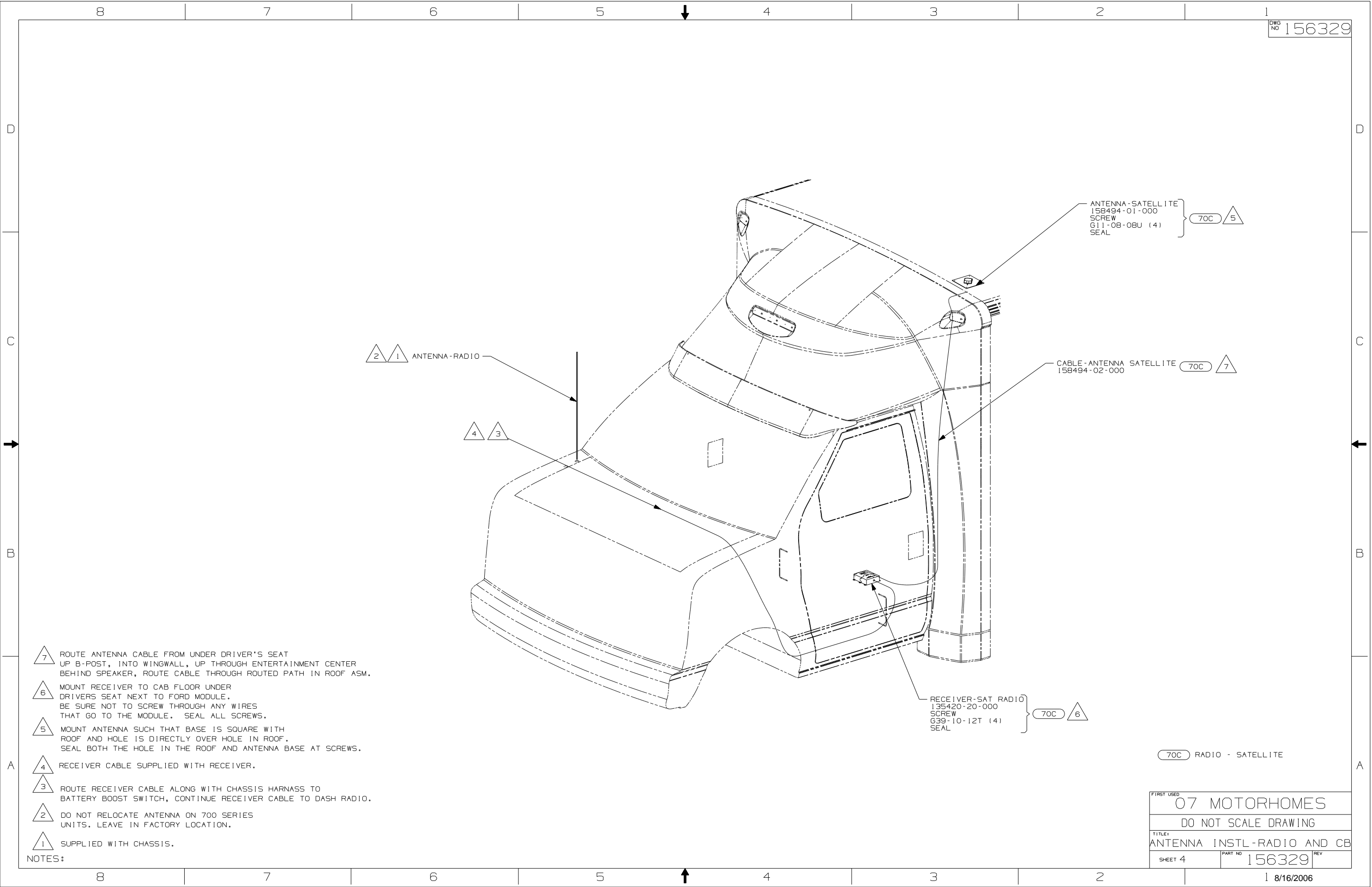
- 10 SEE RADIO INSTL FOR ADDITIONAL INFORMATION
- 9 SUPPLIED WITH SATELITE RADIO RECIEVER
- 8 CONNECT UNILINK CABLE SUPPLIED WITH SATELLITE RECEIVER BETWEEN DASH RADIO AND SATELLITE RECEIVER TERMINAL LABELED 'OUTPUT'.
- 7 CUT AND REMOVE A 75MM X 75MM AREA OF THE ALUMINUM INSULATION, CENTERED ABOUT THE RADIO ANTENNA ROOF CAP.
- 6 MOUNT RECIEVER TO FLOOR UNDER DRIVER'S SEAT. SEAL ALL SCREWS.
- 5 ROUTE SATELLITE RADIO ANTENNA CABLE ALONG B-POST TO BENEATH DRIVERS SEAT TO SATELLITE RADIO RECIEVER. PLUG ANTENNA CABLE INTO RECEIVER TERMINAL LABELED 'ANTENNA'.
- 4 SEE WIRE INSTL-CHASSIS FOR ADDITIONAL INFORMATION.
- 3 MOUNT ANTENNA SUCH THAT BASE IS SQUARE W/REAR OF ROOF CAP & CENTER HOLE OF ANTENNA DIRECTLY OVER HOLE IN FIBERGLASS. SEAL HOLE, BASE, AND SCREWS.
- 2 SEAL AROUND ANTENNA BASE.
- 1 ROUTE RADIO ANTENNA CABLE FROM DASH RADIO THROUGH STEP WELL UP B-POST TO ROOF CAP.

NOTES:

FOR ELECTRICAL
TORQUE
SPECIFICATIONS
SEE DWG NO.
128783-01-000

FOR ELECTRICAL
CALLOUTS
SEE DWG NO.
121339-01-000

FIRST USED	
07 MOTOR HOMES	
DO NOT SCALE DRAWING	
TITLE: ANTENNA INSTLT-RADIO AND CB	
SHEET 3	PART NO 156329 REV



△2 △1 ANTENNA-RADIO

ANTENNA-SATELLITE
158494-01-000
SCREW
G11-08-08U (4)
SEAL } 70C △5

CABLE-ANTENNA SATELLITE } 70C △7
158494-02-000

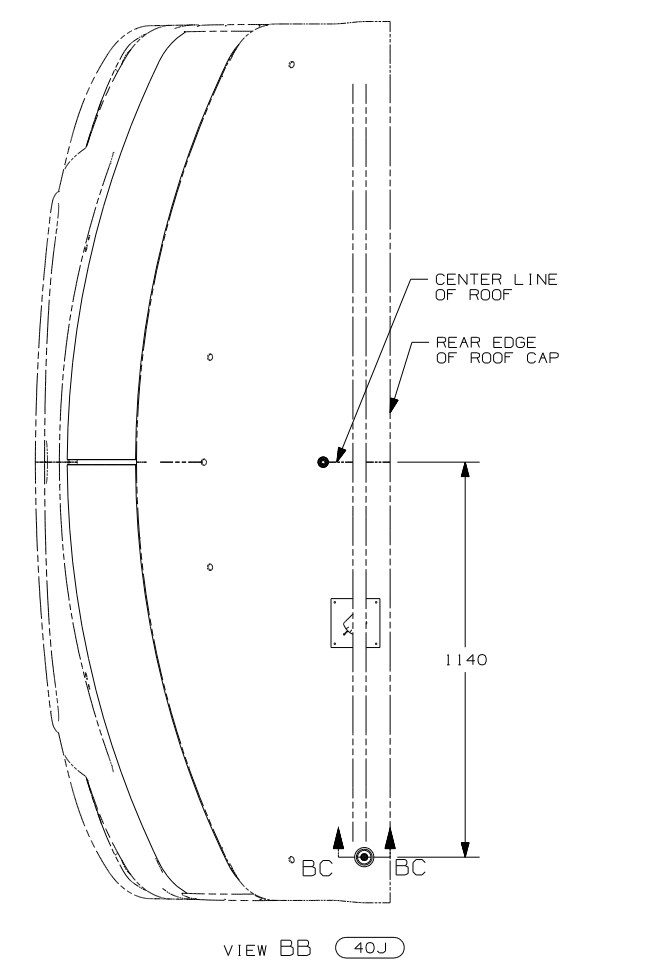
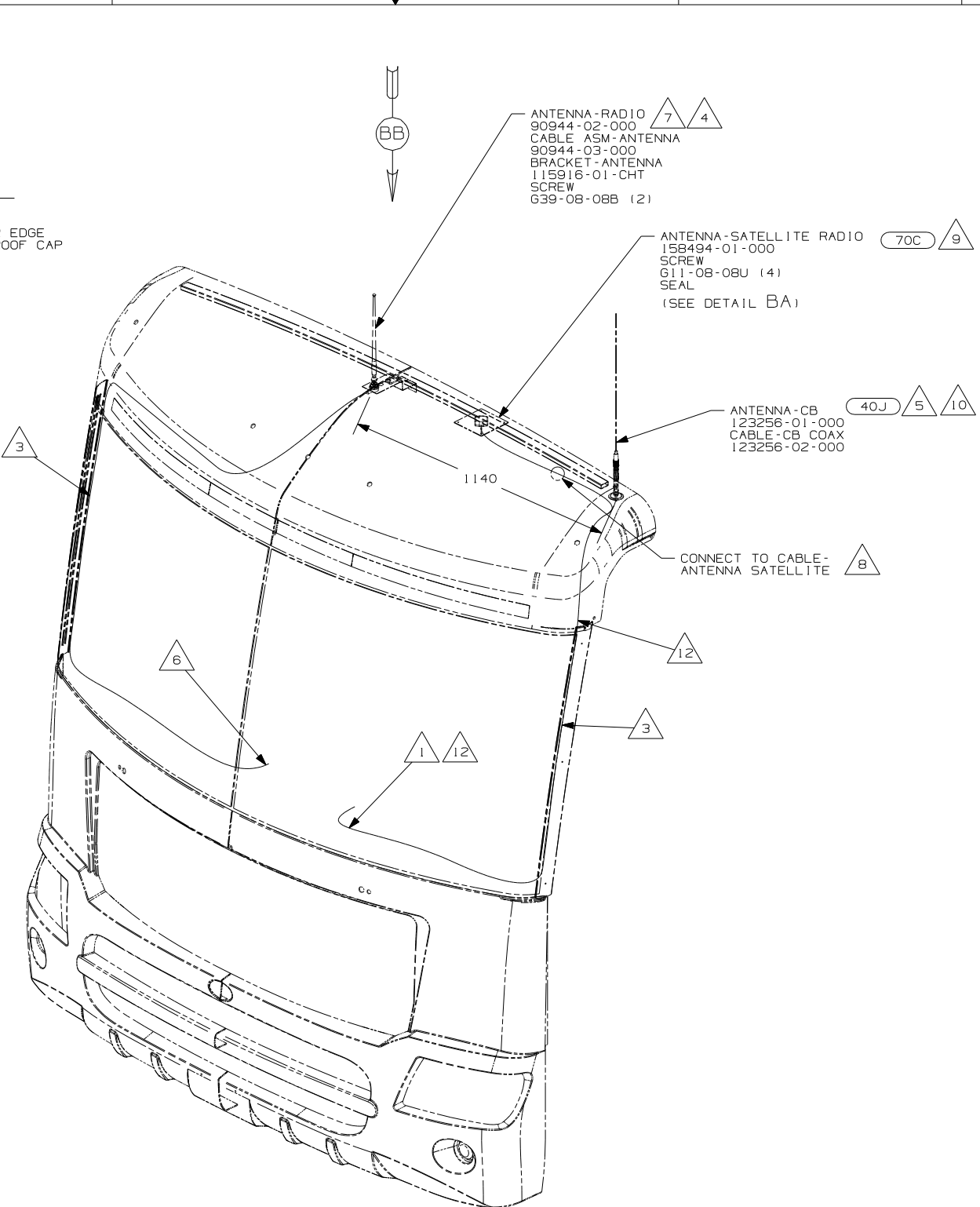
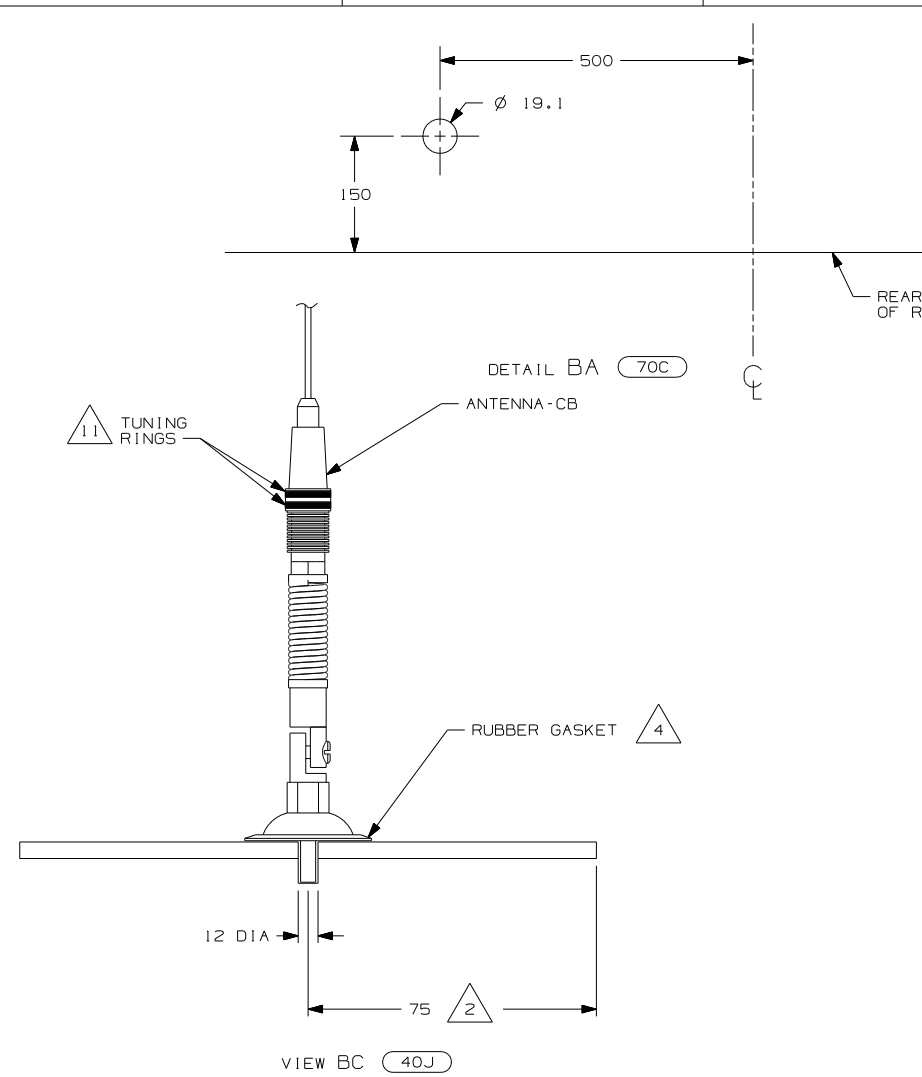
RECEIVER-SAT RADIO } 70C △6
135420-20-000
SCREW
G39-10-12T (4)
SEAL

70C RADIO - SATELLITE

- △7 ROUTE ANTENNA CABLE FROM UNDER DRIVER'S SEAT UP B-POST, INTO WINGWALL, UP THROUGH ENTERTAINMENT CENTER BEHIND SPEAKER, ROUTE CABLE THROUGH ROUTED PATH IN ROOF ASM.
- △6 MOUNT RECEIVER TO CAB FLOOR UNDER DRIVERS SEAT NEXT TO FORD MODULE. BE SURE NOT TO SCREW THROUGH ANY WIRES THAT GO TO THE MODULE. SEAL ALL SCREWS.
- △5 MOUNT ANTENNA SUCH THAT BASE IS SQUARE WITH ROOF AND HOLE IS DIRECTLY OVER HOLE IN ROOF. SEAL BOTH THE HOLE IN THE ROOF AND ANTENNA BASE AT SCREWS.
- △4 RECEIVER CABLE SUPPLIED WITH RECEIVER.
- △3 ROUTE RECEIVER CABLE ALONG WITH CHASSIS HARNESS TO BATTERY BOOST SWITCH, CONTINUE RECEIVER CABLE TO DASH RADIO.
- △2 DO NOT RELOCATE ANTENNA ON 700 SERIES UNITS. LEAVE IN FACTORY LOCATION.
- △1 SUPPLIED WITH CHASSIS.

NOTES:

FIRST USED	
07 MOTORHOMES	
DO NOT SCALE DRAWING	
TITLE: ANTENNA INSTL-RADIO AND CB	
SHEET 4	PART NO 156329 REV

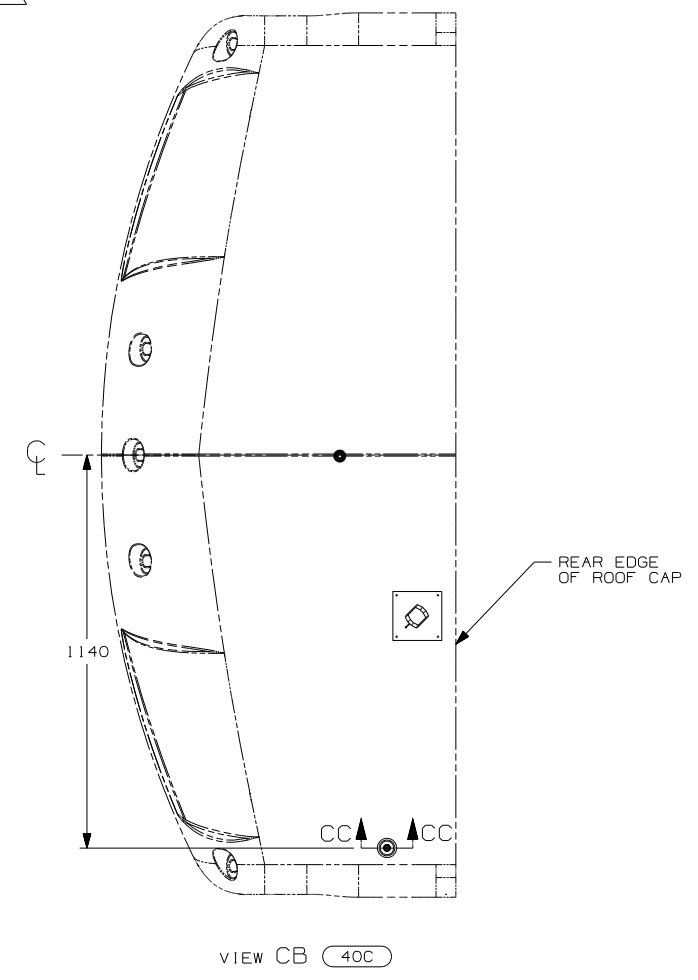
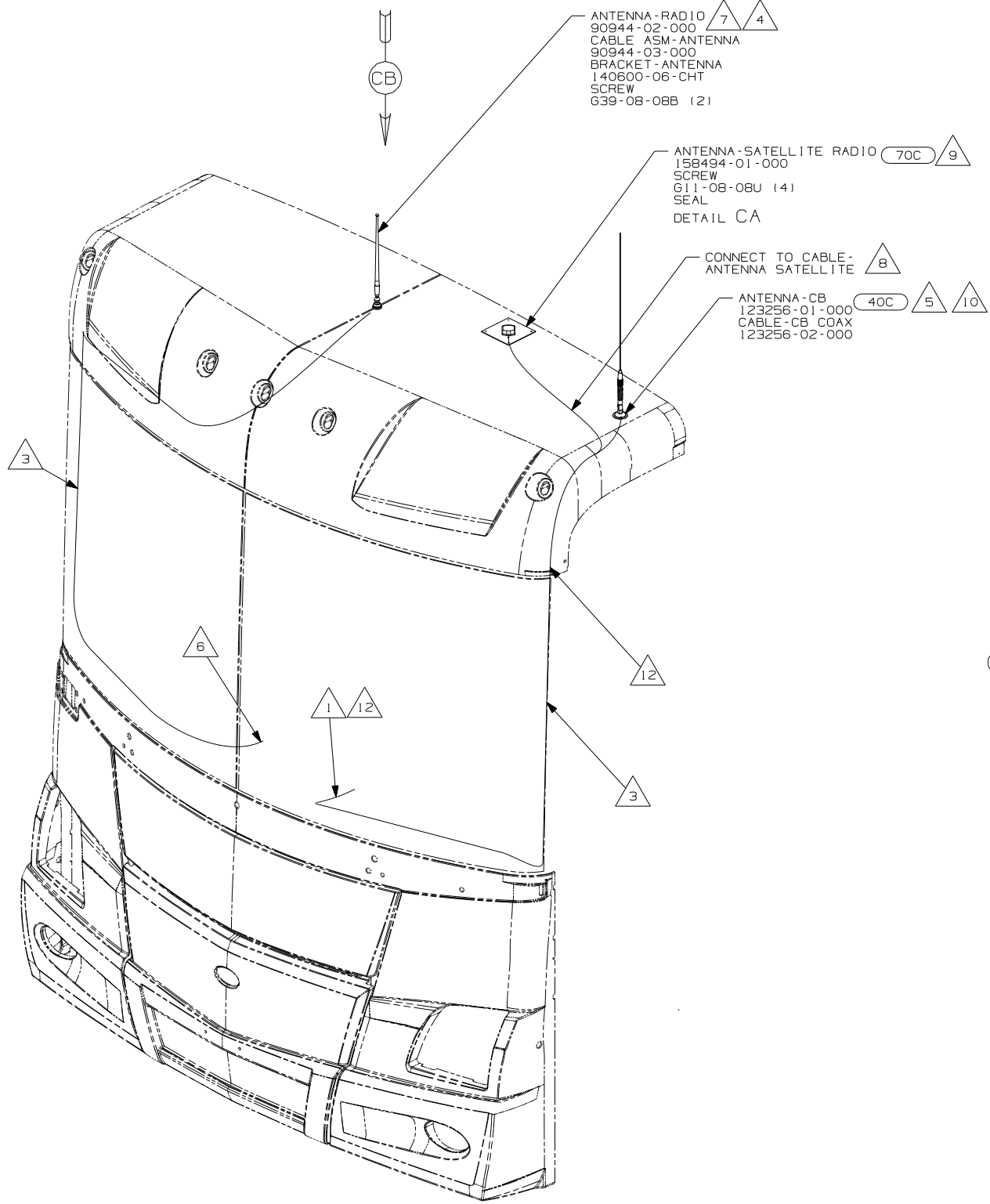
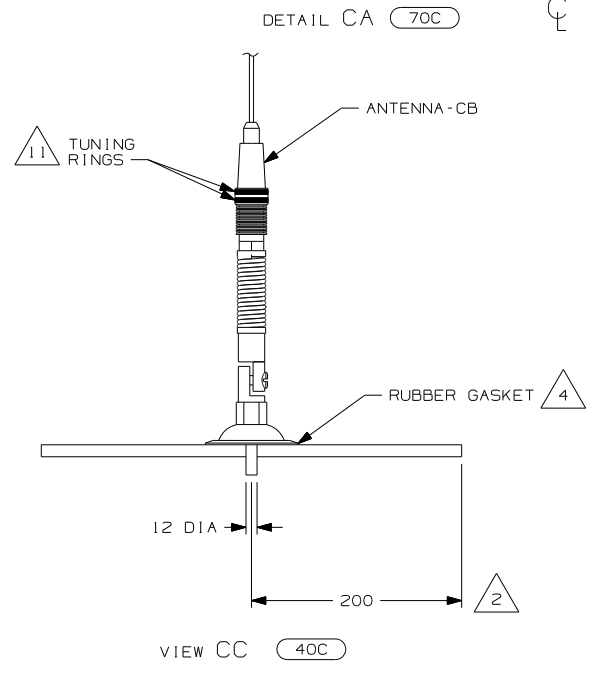
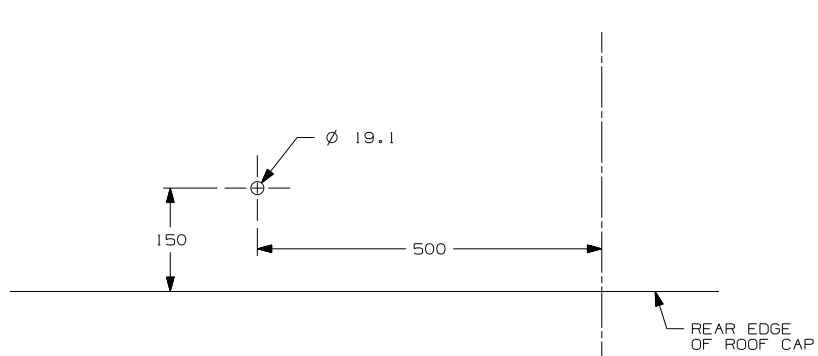


- 12 PROVIDE A 700MM DROP OF CB ANTENNA CABLE FROM THE TOP OF THE A-PILLAR TO CONNECT TO THE ANTENNA AND PLACE THE EXCESS CABLE IN THE CB PREP BAG LOCATED UNDER THE DASH.
- 11 TUNING RINGS ARE TO BE BOTH ADJUSTED TO THE TOP OF THEIR TRAVEL AND TIGHTENED AGAINST EACH OTHER.
- 10 TIGHTEN JOINTS BETWEEN ANTENNA BASE AND ANTENNA PIVOT AND ALSO THE MAST AND ANTENNA PLATE.
- 9 MOUNT ANTENNA SUCH THAT BASE IS SQUARE W/ REAR OF ROOF CAP & HOLE IS DIRECTLY OVER HOLE IN FIBERGLASS. SEAL HOLE IN ROOF CAP, BASE AT SCREWS.
- 8 SEE WIRING INSTL-FRONT END FOR ADDITIONAL INFORMATION.
- 7 USE HOLE IN BRACKET AS GUIDE TO DRILL 13 DIAMETER HOLE IN FIBERGLASS.
- 6 TO RADIO.
- 5 ATTACH ANTENNA-CB GROUND WIRE TO CAB FRAME, USE SCREW G39-08-08B.
- 4 SEAL AROUND ANTENNA BASE.
- 3 ROUTE CABLE ALONG A-POST, UNDER TRIM COVER.
- 2 MEASURED FROM REAR EDGE OF FIBERGLASS CAP.
- 1 SEE WIRING INSTL-FRONT END FOR LOCATION OF COAX END AND LABEL.

NOTES:

70C RADIO - SATELLITE
 40J CB RADIO PREP

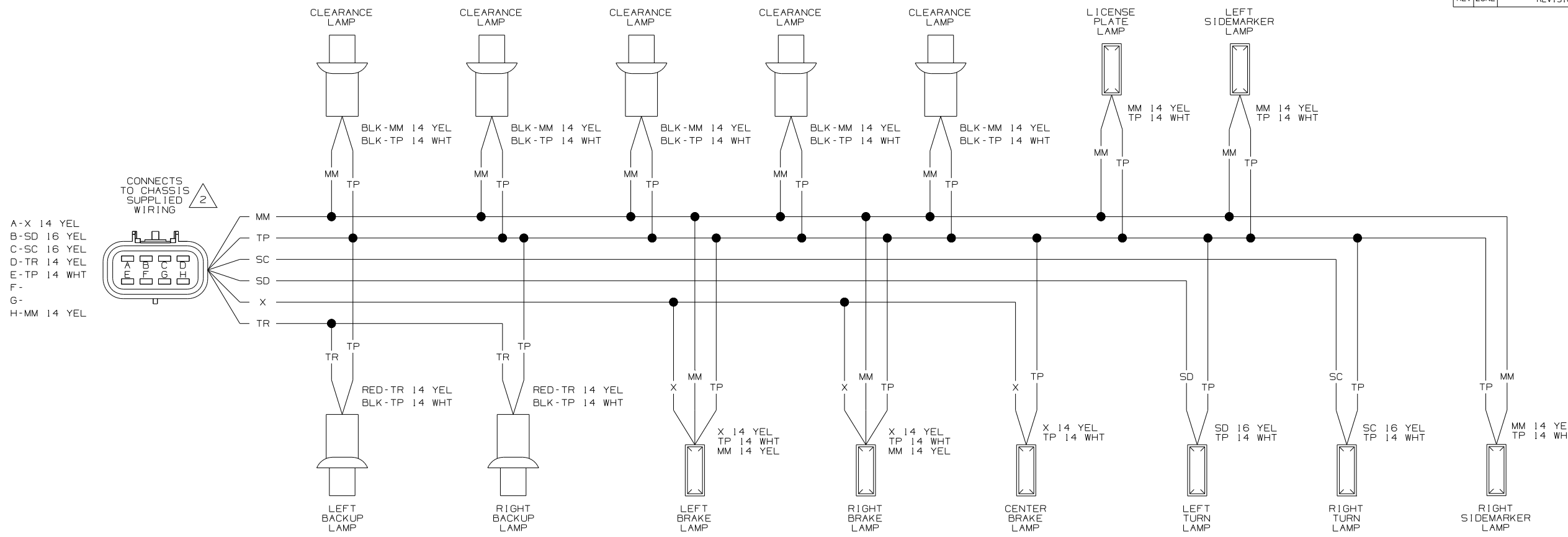
FIRST USED	
07 MOTORHOMES	
DO NOT SCALE DRAWING	
TITLE:	
ANTENNA INSTL-RADIO AND CB	
SHEET 5	PART NO 156329 REV



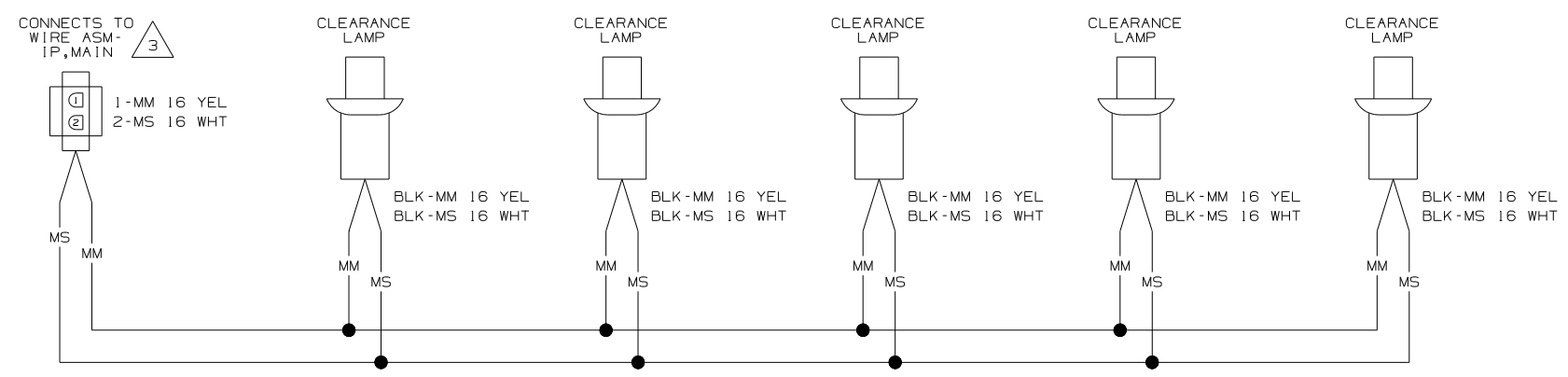
- 12 PROVIDE A 1000 DROP OF CB ANTENNA CABLE FROM THE TOP OF THE A-PILLAR TO CONNECT TO THE ANTENNA AND PLACE THE EXCESS CABLE IN THE CB PREP BAG LOCATED UNDER THE DASH.
- 11 TUNING RINGS ARE TO BE BOTH ADJUSTED TO THE TOP OF THEIR TRAVEL AND TIGHTENED AGAINST EACH OTHER.
- 10 TIGHTEN JOINTS BETWEEN ANTENNA BASE AND ANTENNA PIVOT AND ALSO THE MAST AND ANTENNA PLATE.
- 9 MOUNT ANTENNA SUCH THAT BASE IS SQUARE W/REAR OF ROOF CAP & CENTER HOLE OF ANTENNA DIRECTLY OVER HOLE IN FIBERGLASS. SEAL HOLE, BASE, AND SCREWS.
- 8 SEE WIRING INSTL-FRONT END FOR ADDITIONAL INFORMATION.
- 7 USE HOLE IN BRACKET AS GUIDE TO DRILL 13 DIAMETER HOLE IN FIBERGLASS.
- 6 TO RADIO.
- 5 ATTACH ANTENNA-CB GROUND WIRE TO CAB FRAME, USE SCREW 639-08-08B.
- 4 SEAL AROUND ANTENNA BASE.
- 3 ROUTE CABLE ALONG A-POST, UNDER TRIM COVER.
- 2 MEASURED FROM REAR EDGE OF FIBERGLASS CAP.
- 1 SEE WIRING INSTL-FRONT END FOR LOCATION OF COAX END AND LABEL.

70C RADIO - SATELLITE
 40C RADIO - CB

FIRST USED	
07 MOTORHOMES	
DO NOT SCALE DRAWING	
TITLE: ANTENNA INSTL-RADIO AND CB	
SHEET 6	PART NO 156329 REV



WIRING DIAGRAM-BACKWALL, FL
(WIRE ASM 146189-03 REV-G)
(WINNEBAGO)

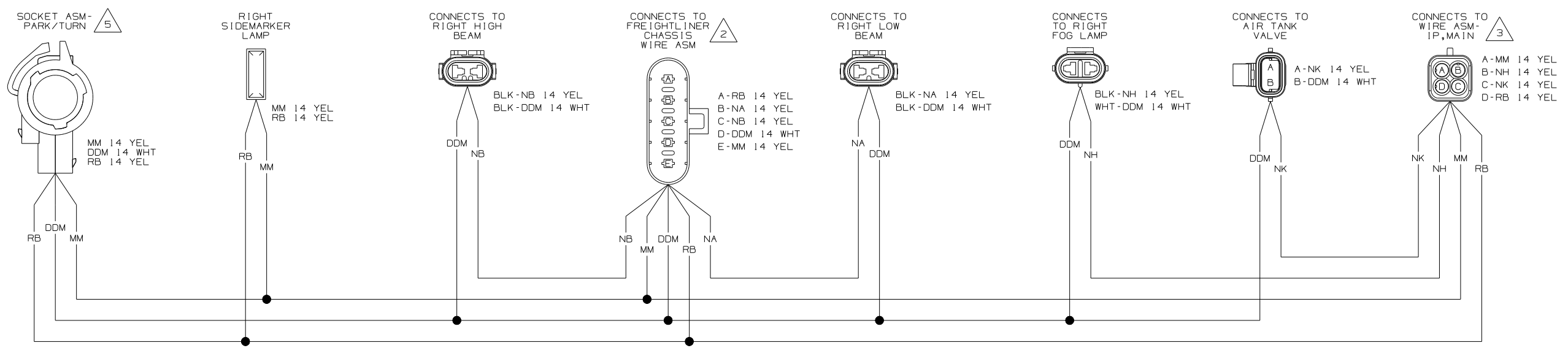


WIRING DIAGRAM-CLEARANCE LAMPS
(WIRE ASM 126486-03 REV-F)
(WINNEBAGO & ITASCA)

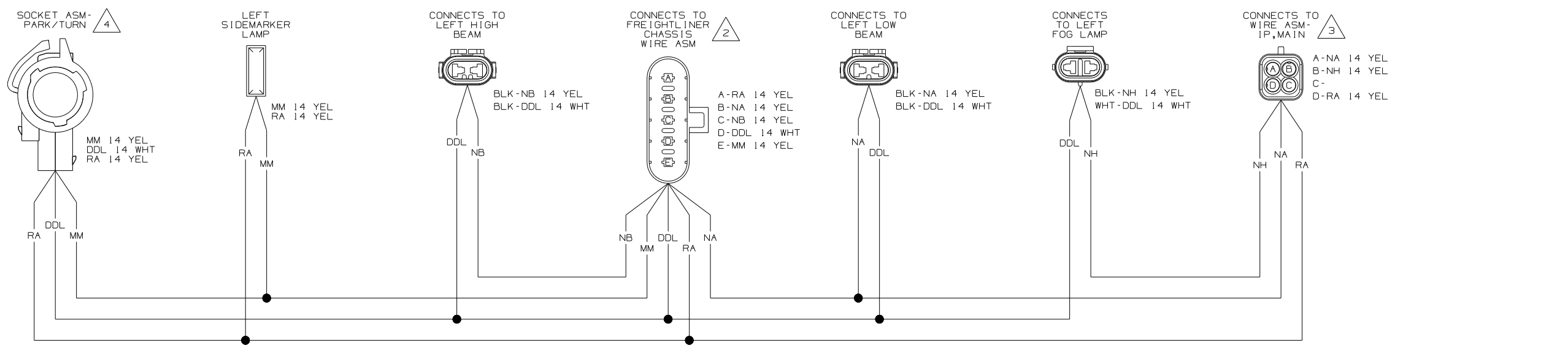
- 3 SEE WIRING DIAGRAM-AUTO FOR ADDITIONAL INFORMATION.
- 2 SEE MANUFACTURERS DIAGRAM FOR ADDITIONAL INFORMATION.
1. SPLICES ARE THEORETICAL AND MAY DIFFER IN THE HARNESS.

NOTES:

WINNEBAGO		COPYRIGHT 2006 WINNEBAGO INDUSTRIES, INC.	
DFT	ORIG. DATE	ALL DIMENSIONS ARE IN MILLIMETERS	
CHKR		FIRST USED	
P.E.		07 P-SER	
M.E.		UNSPECIFIED TOLERANCES ARE:	
DSNR		MATERIAL:	
		WHOLE DIM (X)	:
		ONE-PLACE (X.X)	:
		TWO-PLACE (X.XX)	:
		ANGLE	:
		THIRD ANGLE PROJECTION	
DO NOT SCALE DRAWING			
TITLE: WIRING DIAGRAM-AUTO LAMPS			
SHEET 1 of 3	PART NO	156375	REV
REF:	1 6/16/2006		



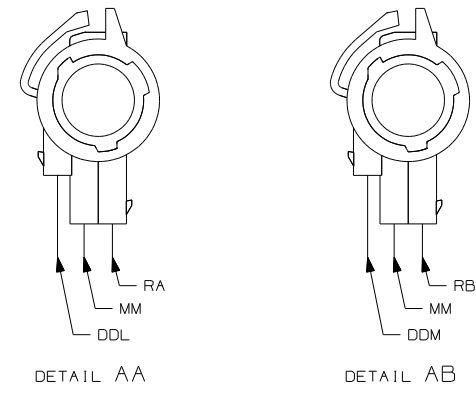
WIRING DIAGRAM-HEADLAMP, RIGHT
(WIRE ASM 144850-04 REV-H)
(WINNEBAGO & ITASCA)



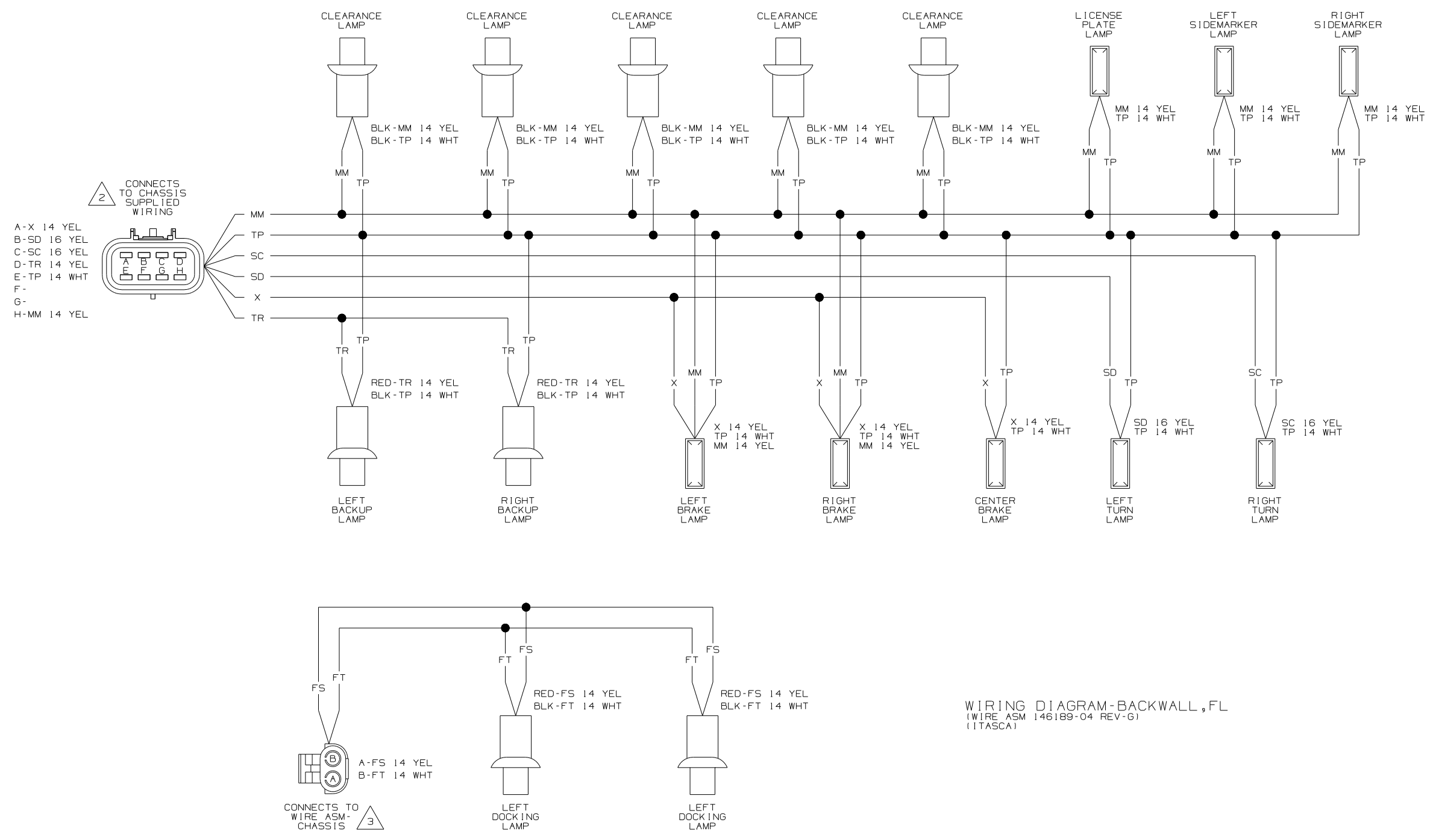
WIRING DIAGRAM-HEADLAMP, LEFT
(WIRE ASM 144850-03 REV-H)
(WINNEBAGO & ITASCA)

- 5 FOR CIRCUIT CONNECTIONS, SEE DETAIL AB.
- 4 FOR CIRCUIT CONNECTIONS, SEE DETAIL AA.
- 3 SEE WIRING DIAGRAM-AUTO FOR ADDITIONAL INFORMATION.
- 2 SEE MANUFACTURERS DIAGRAM FOR ADDITIONAL INFORMATION.

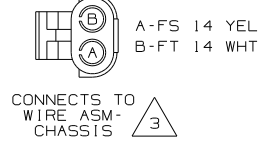
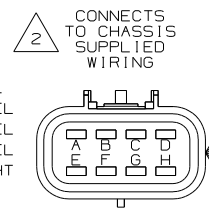
NOTES:
1. SPLICES ARE THEORETICAL AND MAY DIFFER IN THE HARNESS.



FIRST USED	07 P-SER
DO NOT SCALE DRAWING	
TITLE	WIRING DIAGRAM-AUTO LAMPS
SHEET 2	PART NO 156375 REV

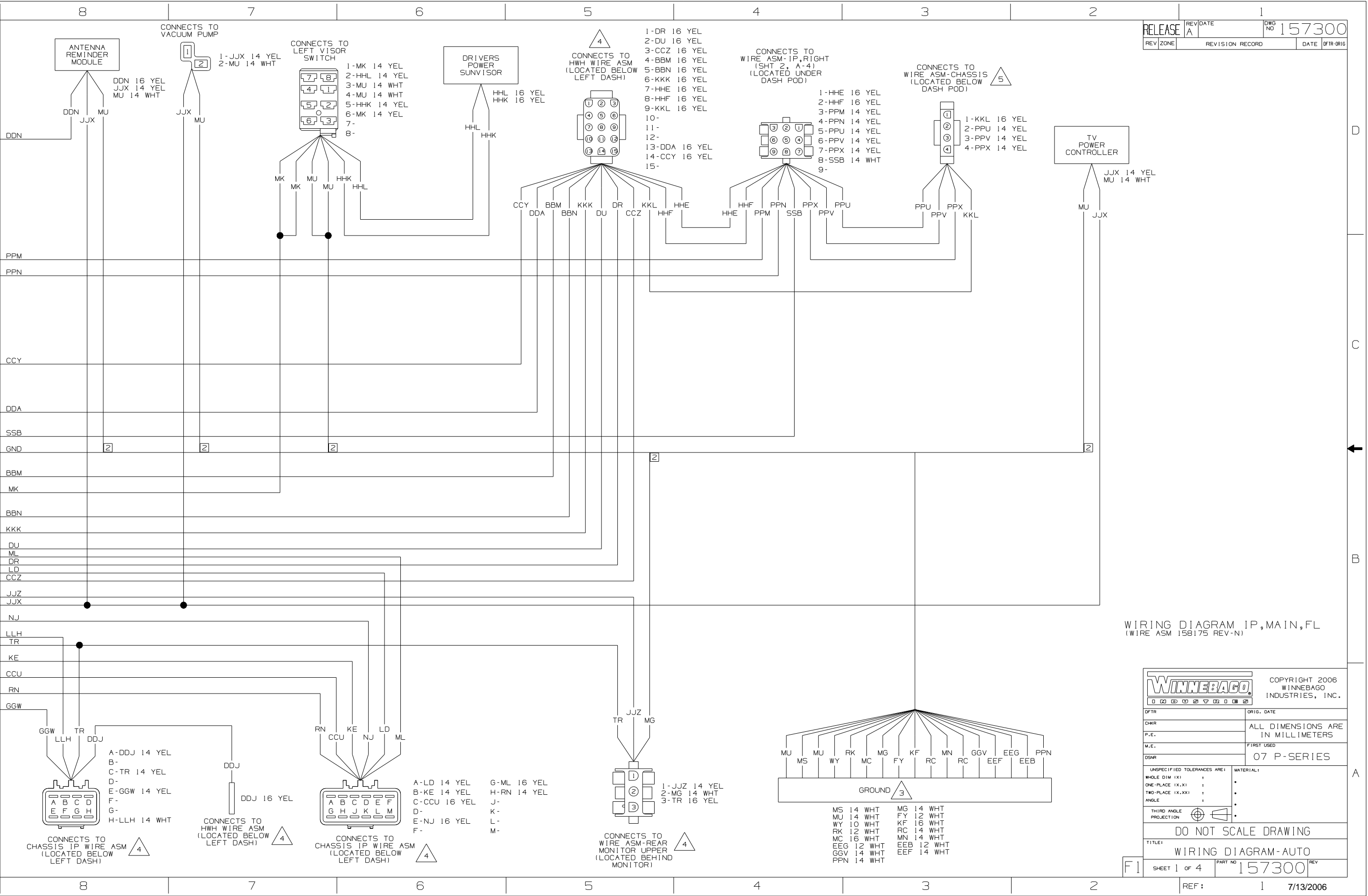


WIRING DIAGRAM-BACKWALL,FL
(WIRE ASM 146189-04 REV-G)
(ITASCA)



- 3 SEE WIRING DIAGRAM-BODY,12V FOR ADDITIONAL INFORMATION.
 - 2 SEE MANUFACTURERS DIAGRAM FOR ADDITIONAL INFORMATION.
1. SPLICES ARE THEORETICAL AND MAY DIFFER IN THE HARNESS.

FIRST USED	07 P-SER	
TITLE	DO NOT SCALE DRAWING	
	WIRING DIAGRAM-AUTO LAMPS	
SHEET 3	PART NO 156375	REV



WIRING DIAGRAM IP,MAIN,FL
 (WIRE ASM 158175 REV-N)

WINNEBAGO COPYRIGHT 2006 WINNEBAGO INDUSTRIES, INC.

DFTR	ORIG. DATE
CHR	ALL DIMENSIONS ARE IN MILLIMETERS
P.E.	FIRST USED
M.E.	07 P-SERIES
DSNR	

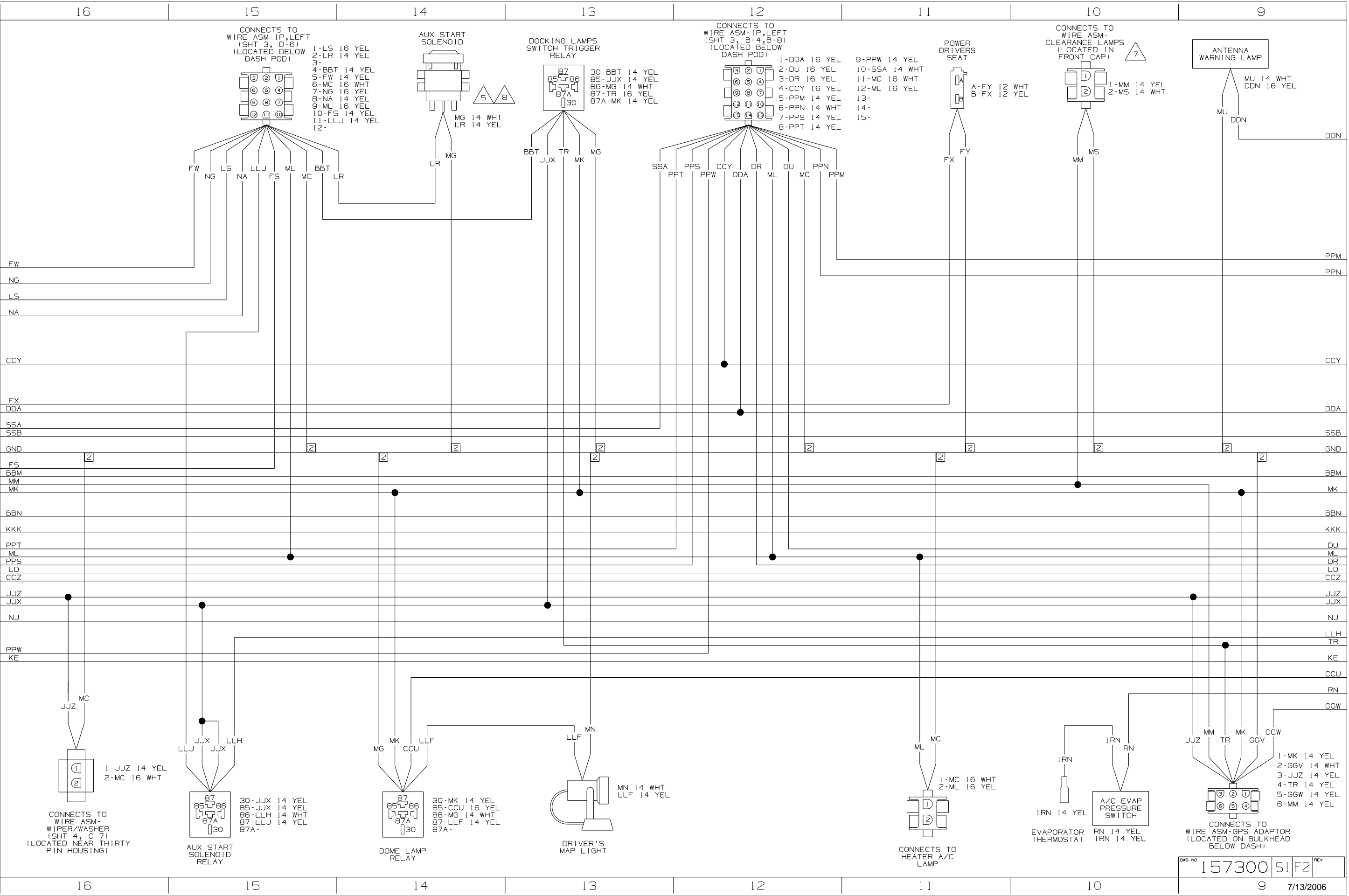
UNSPECIFIED TOLERANCES ARE:
 WHOLE DIM (X) :
 ONE-PLACE (X.X) :
 TWO-PLACE (X.XX) :
 ANGLE :
 THIRD ANGLE PROJECTION

DO NOT SCALE DRAWING

TITLE: WIRING DIAGRAM-AUTO

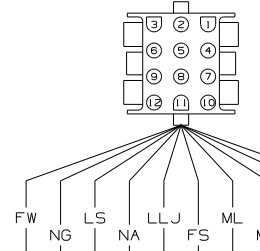
SHEET 1 of 4 PART NO 157300 REV 1

REF: 1 7/13/2006

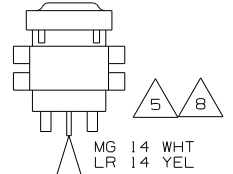


CONNECTS TO WIRE ASM-IP,LEFT (SHT 3, D-6) (LOCATED BELOW DASH POD)

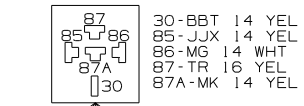
- 1-LS 16 YEL
- 2-LR 14 YEL
- 3-
- 4-BBT 14 YEL
- 5-FW 14 YEL
- 6-MC 16 WHT
- 7-NG 16 YEL
- 8-NA 14 YEL
- 9-ML 16 YEL
- 10-FS 14 YEL
- 11-LLJ 14 YEL
- 12-



AUX START SOLENOID

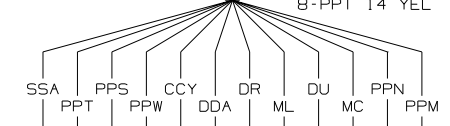


DOCKING LAMPS SWITCH TRIGGER RELAY

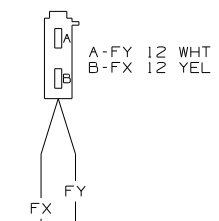


CONNECTS TO WIRE ASM-IP,LEFT (SHT 3, B-4,B-8) (LOCATED BELOW DASH POD)

- 1-DDA 16 YEL
- 2-DU 16 YEL
- 3-DR 16 YEL
- 4-CCY 16 YEL
- 5-PPM 14 YEL
- 6-PPN 14 WHT
- 7-PPS 14 YEL
- 8-PPT 14 YEL

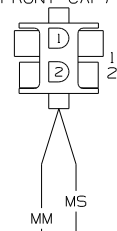


POWER DRIVERS SEAT

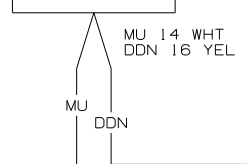


CONNECTS TO WIRE ASM-CLEARANCE LAMPS (LOCATED IN FRONT CAP)

- 1-MM 14 YEL
- 2-MS 14 WHT



ANTENNA WARNING LAMP



FW
NG
LS
NA

CCY

FX
DDA

SSA
SSB

GND

FS
BBM
MM
MK

BBN

KKK

PPT
ML
PPS
LD
CCZ

JJZ
JJX

NJ

PPW
KE

DDN

PPM

PPN

CCY

DDA

SSB

GND

BBM

MK

BBN

KKK

DU
ML
DR
LD
CCZ

JJZ
JJX

NJ

LLH
TR

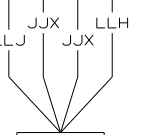
KE

CCU

RN

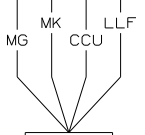
GGW

CONNECTS TO WIRE ASM-WIPER/WASHER (SHT 4, C-7) (LOCATED NEAR THIRTY PIN HOUSING)



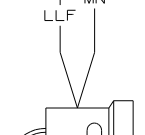
- 30-JJX 14 YEL
- 85-JJX 14 YEL
- 86-LLH 14 WHT
- 87-LLJ 14 YEL
- 87A-

AUX START SOLENOID RELAY



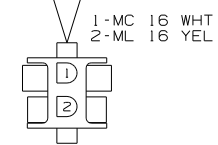
- 30-MK 14 YEL
- 85-CCU 16 YEL
- 86-MG 14 WHT
- 87-LLF 14 YEL
- 87A-

DOVE LAMP RELAY

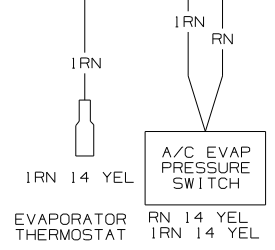


- MN 14 WHT
- LLF 14 YEL

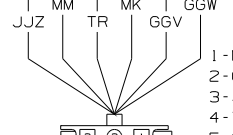
DRIVER'S MAP LIGHT



CONNECTS TO HEATER A/C LAMP

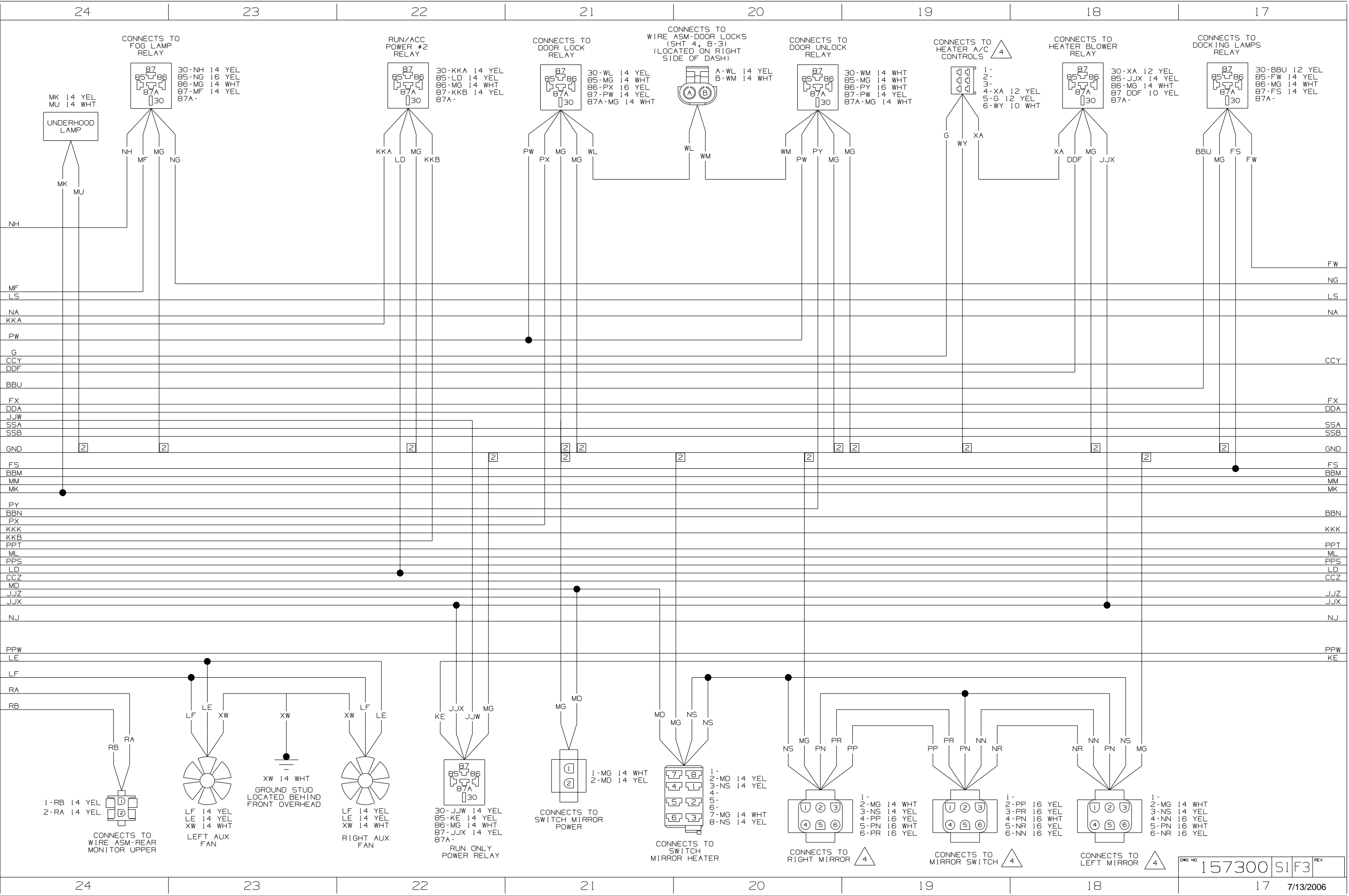


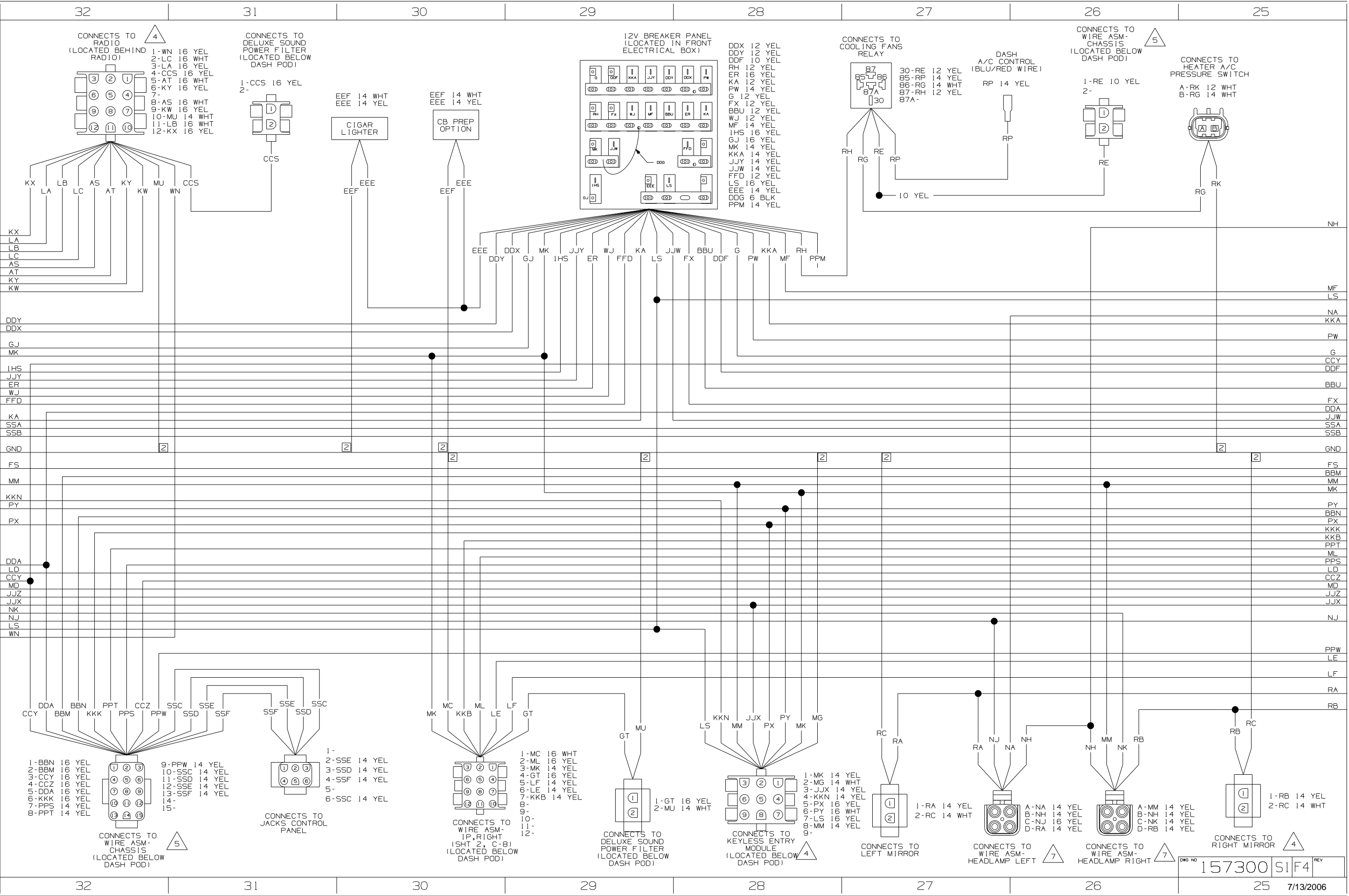
EVAPORATOR THERMOSTAT



- 1-MK 14 YEL
- 2-GGW 14 WHT
- 3-JJZ 14 YEL
- 4-TR 14 YEL
- 5-GGW 14 YEL
- 6-MM 14 YEL

CONNECTS TO WIRE ASM-GPS ADAPTOR (LOCATED ON BULKHEAD BELOW DASH)





RIGHT COMPT
DOOR UNLOCK
RELAY
30-DDU 12 YEL
85-EEG 12 WHT
86-EEA 12 WHT
87-DDX 12 YEL
87A-EEG 12 WHT

RIGHT COMPT
DOOR LOCK
RELAY
30-DDT 12 YEL
85-EEG 14 WHT
86-DDZ 12 YEL
87-DDX 12 YEL
87A-EEG 12 WHT

LEFT COMPT
DOOR UNLOCK
RELAY
30-DDW 12 YEL
85-EEB 12 WHT
86-EEA 12 WHT
87-DDY 12 YEL
87A-EEB 12 WHT

LEFT COMPT
DOOR LOCK
RELAY
30-DDV 12 YEL
85-EEB 12 WHT
86-DDZ 14 YEL
87-DDY 12 YEL
87A-EEB 12 WHT

KEYLESS
ENTRY
MODULE
(LOCATED BELOW
LEFT DASH)
1-DDZ 12 YEL
2-EEA 12 WHT

PASSENGERS
POWER
SUNVISOR
HHM 16 YEL
HHN 16 YEL

CONNECTS TO
RIGHT VISOR
SWITCH

1-MK 16 YEL
2-PPJ 14 YEL
3-MU 14 WHT
4-MU 16 WHT
5-PPK 14 WHT
6-MK 16 YEL
7-
8-

CONNECTS TO
DOOR LOCKS
SWITCH

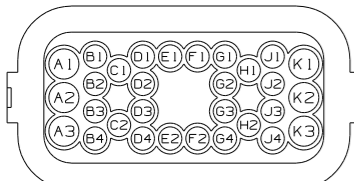
1-PY 16 WHT
2-MK 14 YEL
3-PX 16 YEL
4-
5-
6-
7-
8-

SPEAKER
SWITCH

1-KW 16 YEL
2-KY 16 YEL
3-KX 16 YEL
4-LA 16 YEL
5-DP 14 YEL
6-AS 16 WHT
7-AT 16 WHT
8-LB 16 WHT
9-LC 16 WHT
10-MU 14 WHT

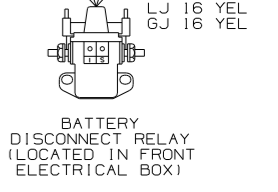
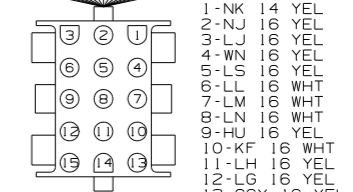
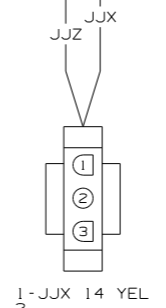
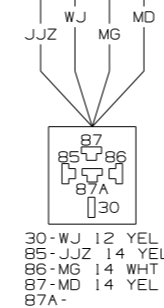
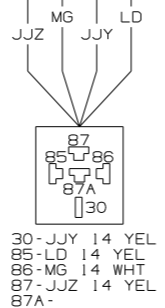
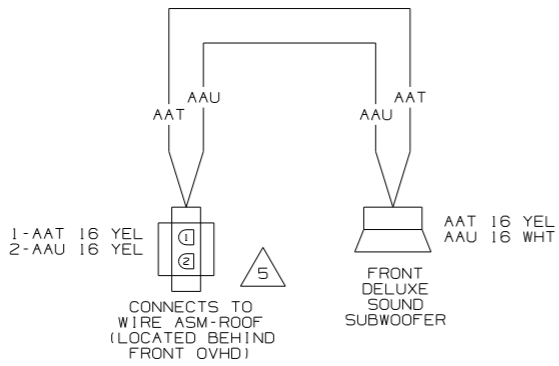
SPEAKER
SELECTOR
SWITCH
DP 14 YEL

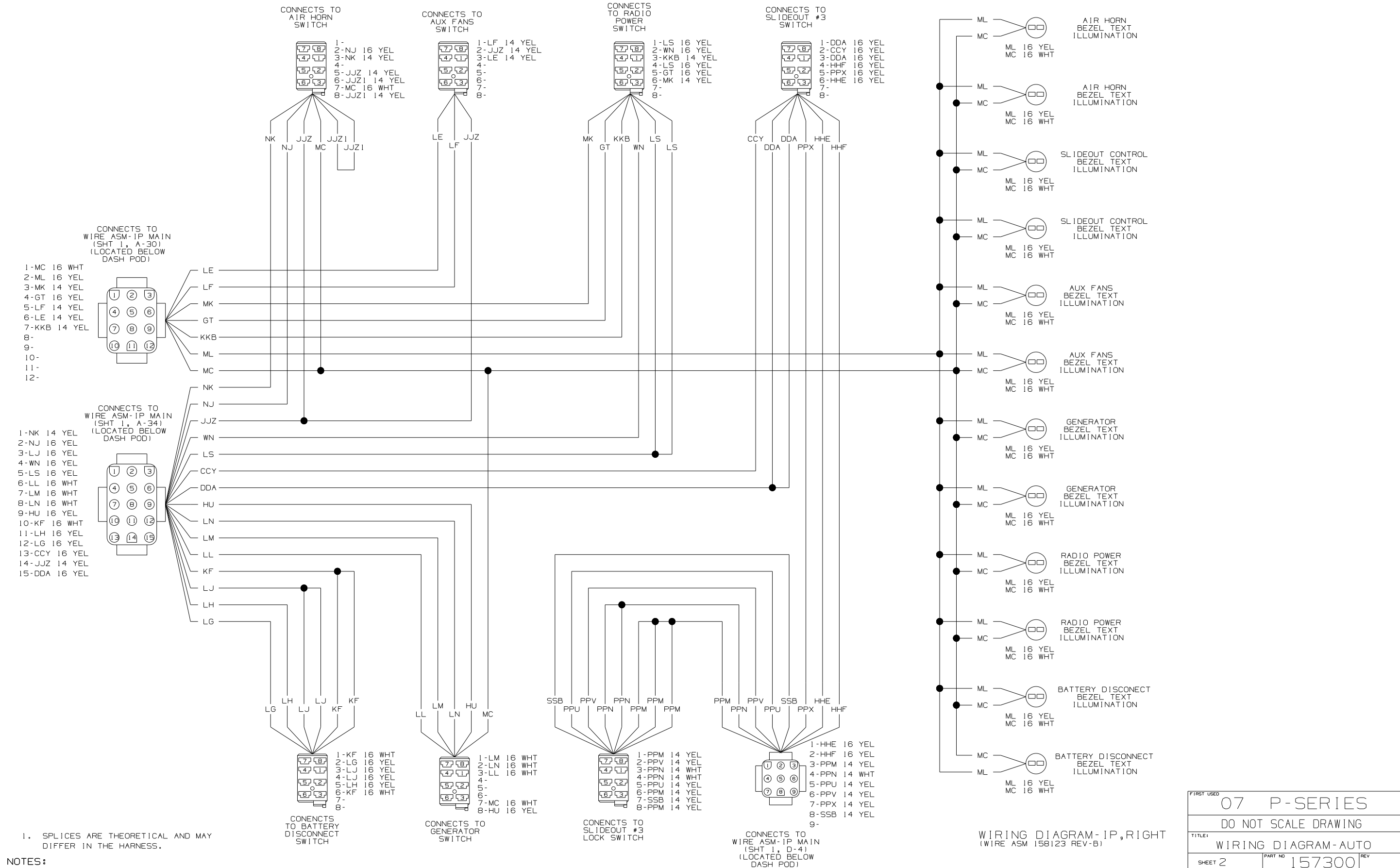
CONNECTS TO
WIRE ASM-CHASSIS
(LOCATED ON FLOOR
BELOW LEFT SIDE
OF DASH)



A1- EEA 12 WHT
A2- EEA 12 WHT
A3- FS 14 YEL
B1- DDT 12 YEL
B2- DDU 12 YEL
B3- DDV 12 YEL
B4- DDW 12 YEL
C1- DDZ 12 YEL
C2- HHM 16 YEL
D1- LL 16 WHT
D2- LM 16 WHT
D3- LN 16 WHT
D4- HU 16 YEL
E1- MM 14 YEL
E2- IHS 16 YEL
F1- MK 14 YEL
F2- LP 16 YEL
G1- PPJ 16 YEL
G2- PPK 14 YEL
G3- SSA 14 WHT
G4- SSB 14 WHT
H1- HHN 16 YEL
H2- PX 16 YEL
J1- KKN 14 YEL
J2- JJZ 14 YEL
J3- ER 16 YEL
J4- PY 16 WHT
K1- FFD 12 YEL
K2- KA 12 YEL
K3-

- 8 SEE SHEET 4 FOR ADDITIONAL INFORMATION.
- 7 SEE WIRING DIAGRAM-AUTO LAMPS FOR ADDITIONAL INFORMATION.
- 6. SEE WIRING INSTALLATION-FRONT END FOR HOUSING AND COMPONENT LOCATION.
- 5 SEE WIRING DIAGRAM-BODY,12V FOR ADDITIONAL INFORMATION.
- 4 SEE MANUFACTURERS DIAGRAM FOR ADDITIONAL INFORMATION.
- 3 GROUNDS ARE SHOWN AS A SINGLE LINE FOR EASE IN TRACING. EACH GROUND CIRCUIT IS SEPERATE IN THE HARNESS.
- 2 NOT A SPLICE POINT. INDICATES ENTRY INTO WIRING HARNESS.
- 1. SPLICES ARE THEORETICAL AND MAY DIFFER IN THE HARNESS.

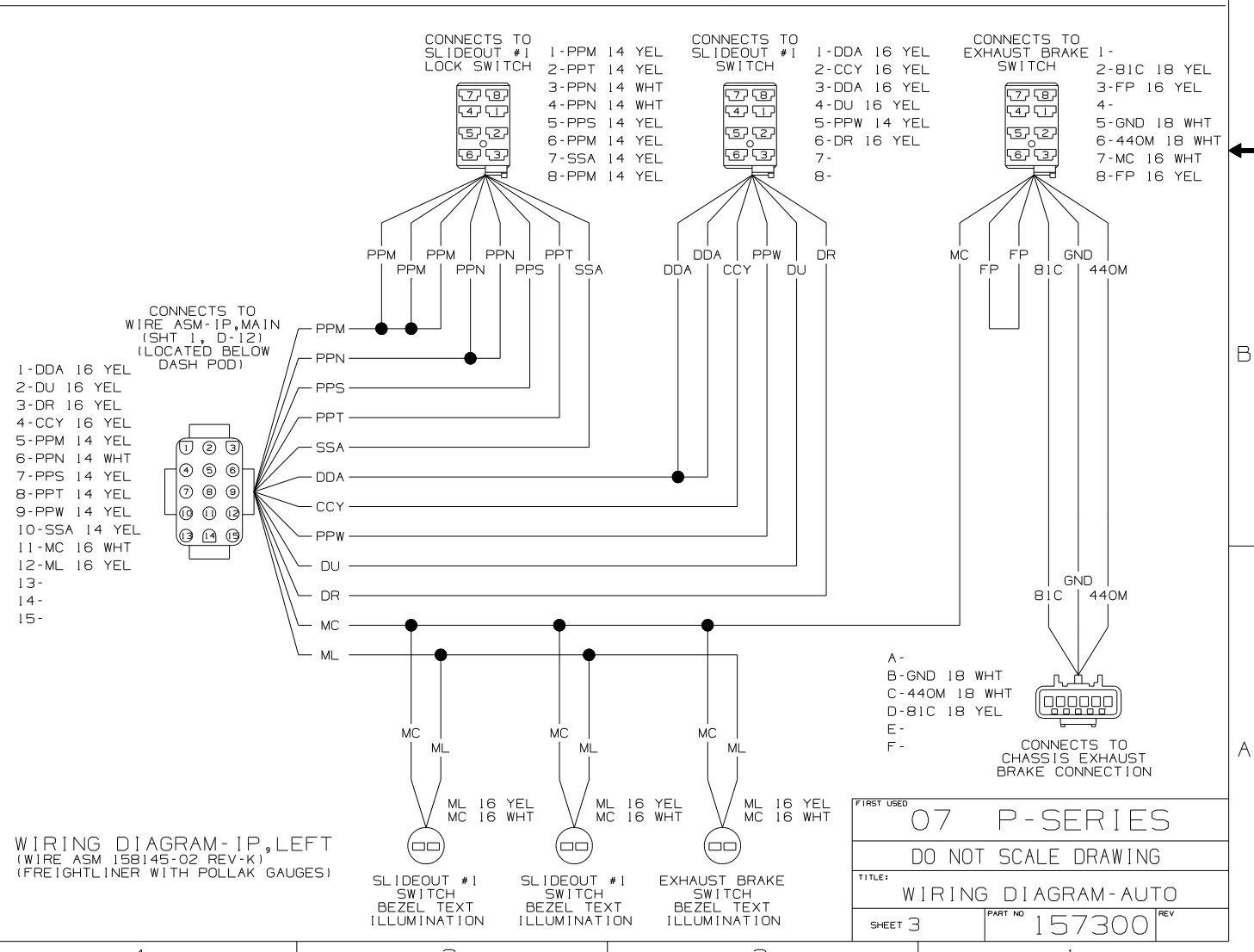
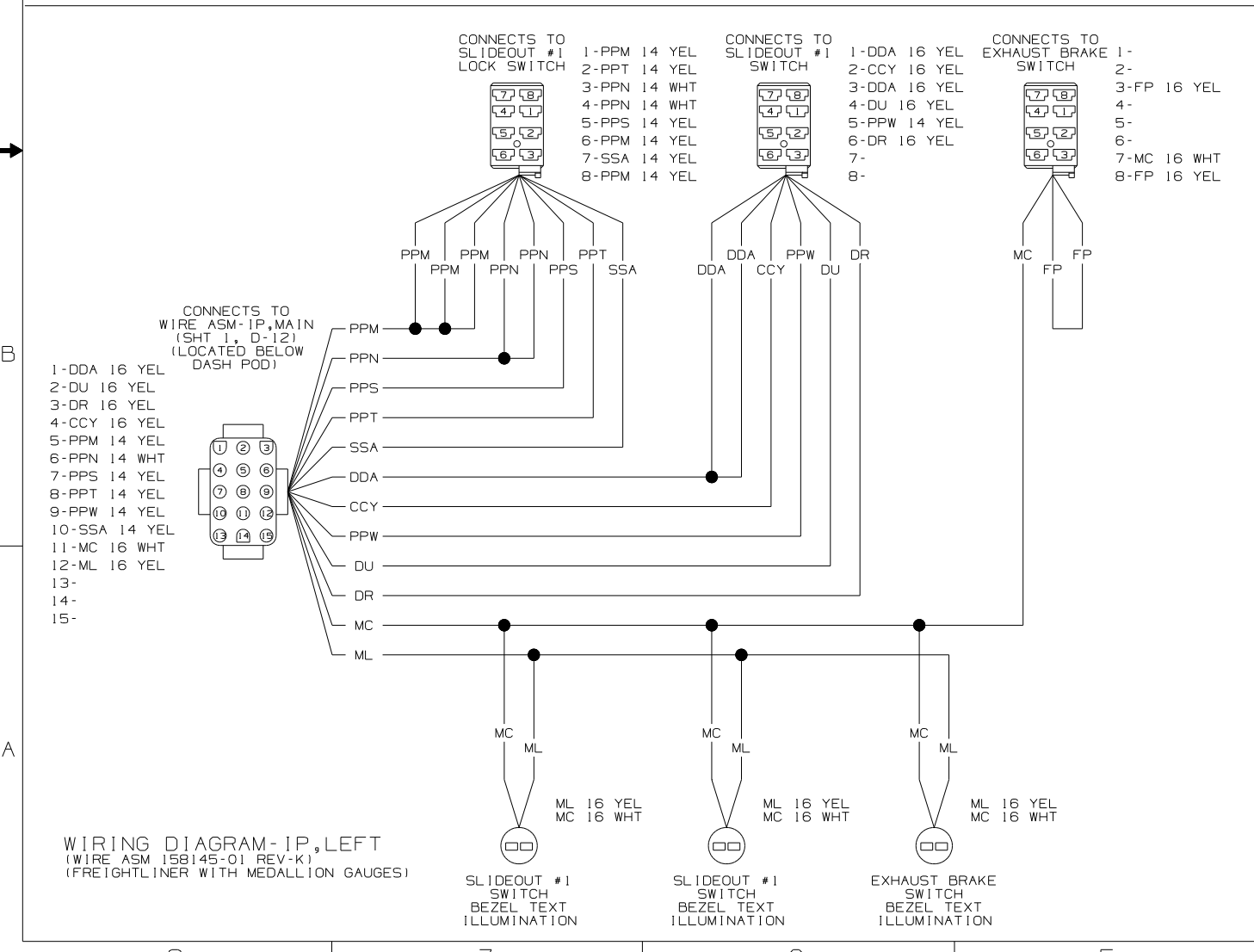
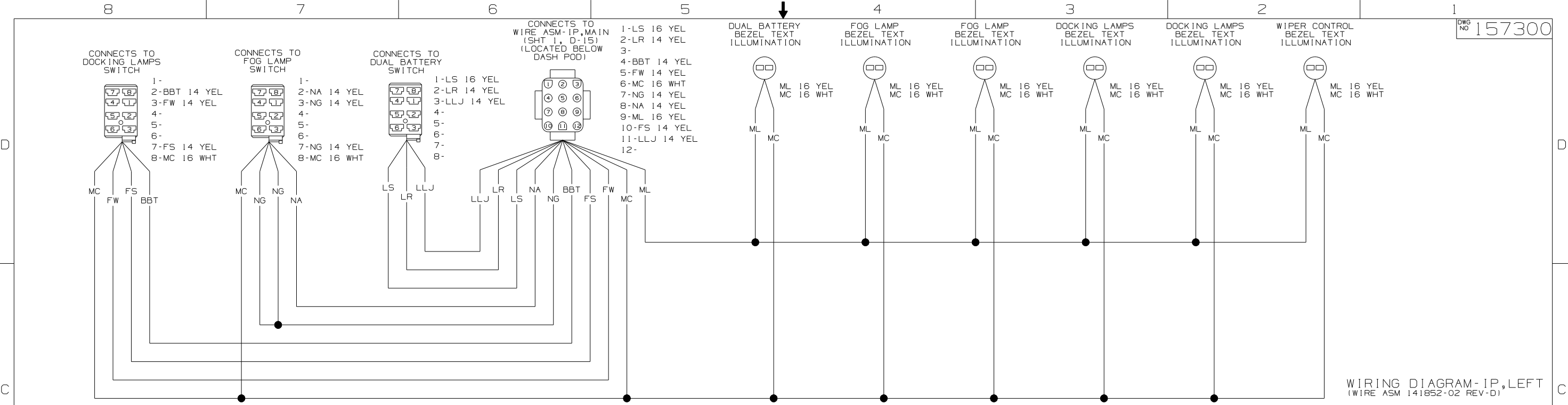




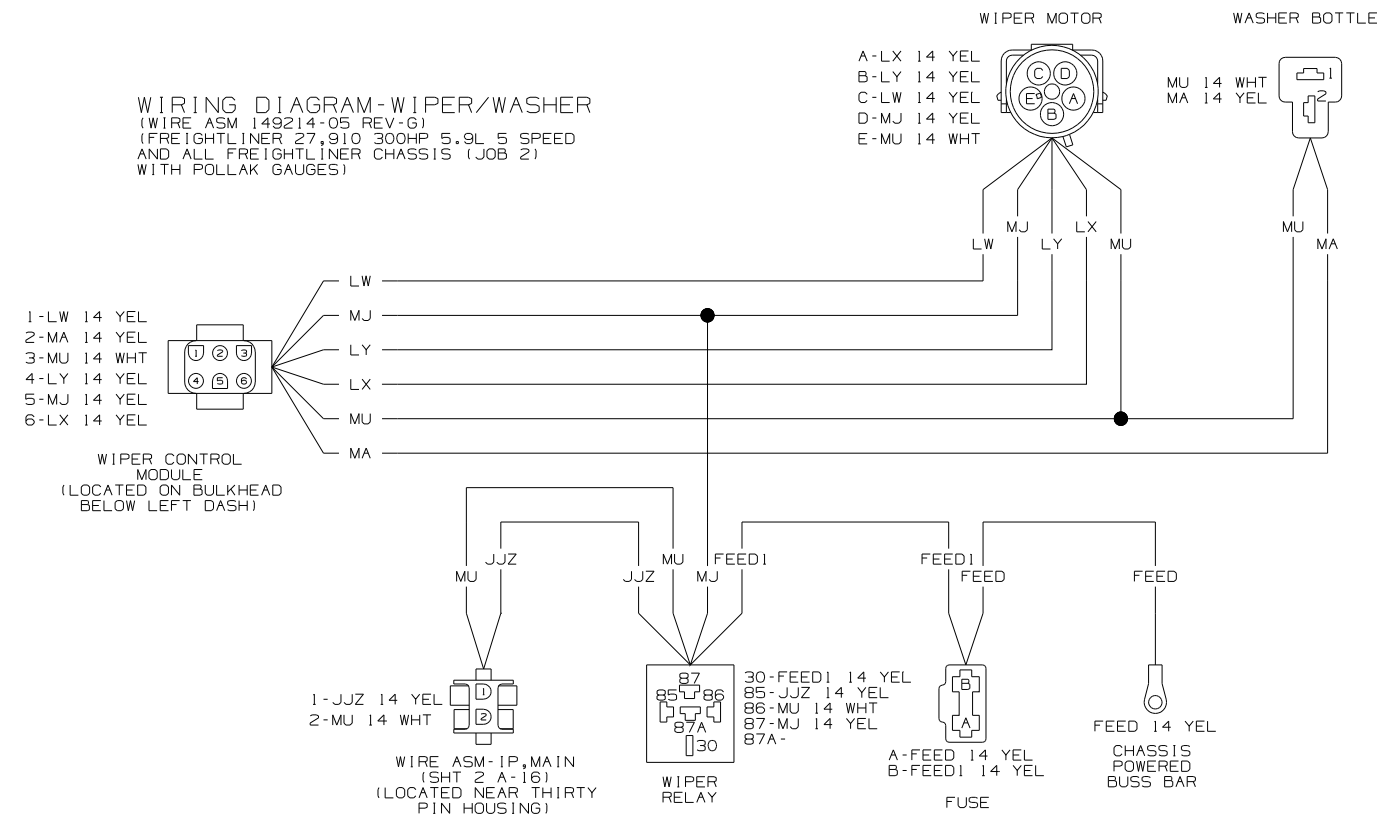
NOTES:
 1. SPLICES ARE THEORETICAL AND MAY DIFFER IN THE HARNESS.

WIRING DIAGRAM-IP,RIGHT
 (WIRE ASM 158123 REV-B)

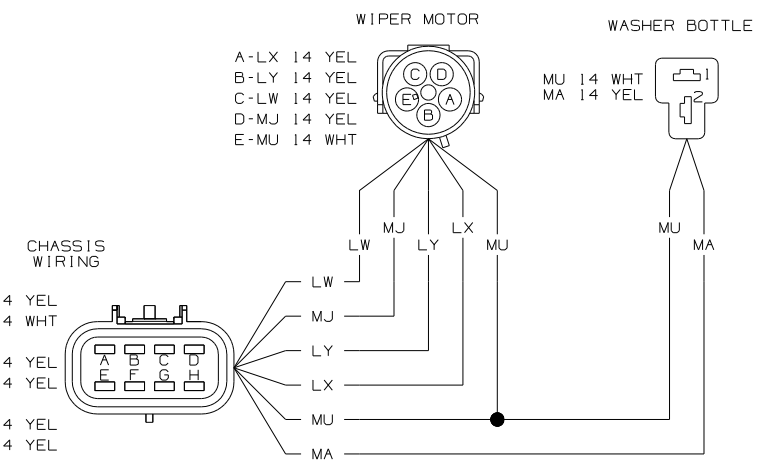
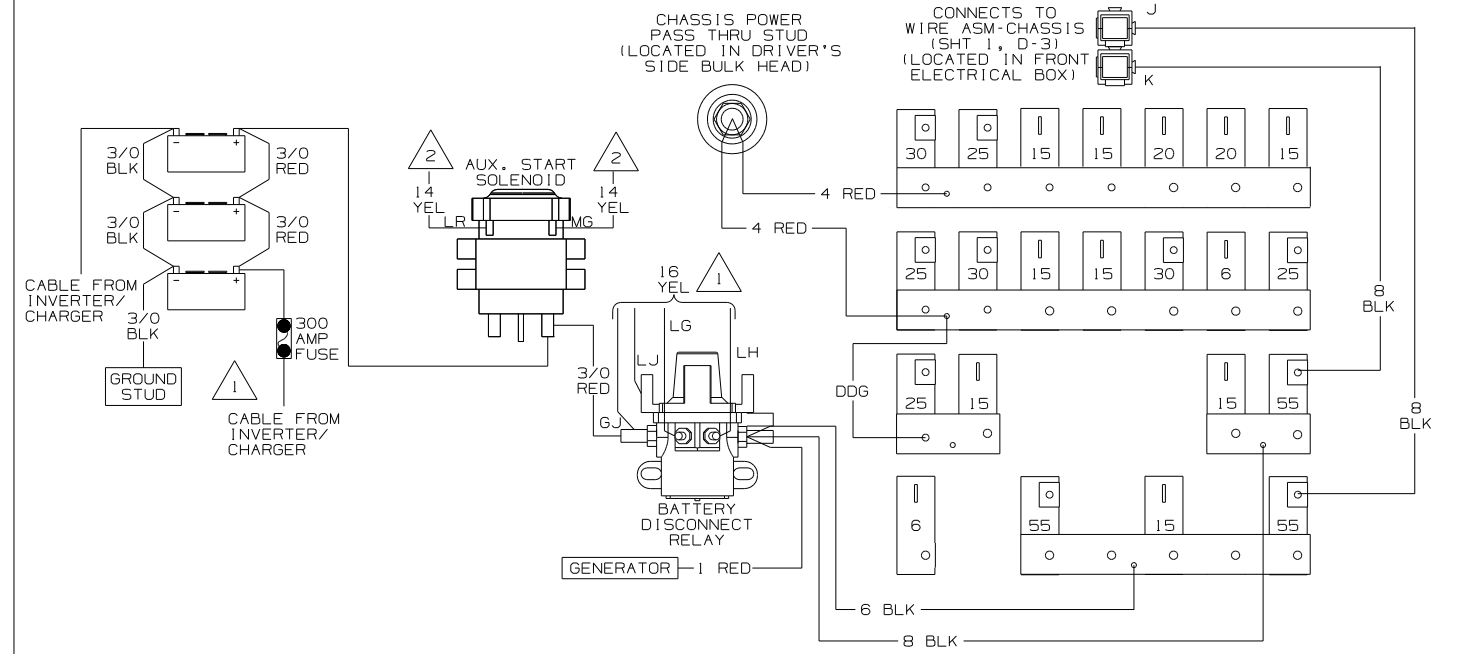
FIRST USED	07 P-SERIES	
TITLE:	DO NOT SCALE DRAWING	
	WIRING DIAGRAM-AUTO	
SHEET 2	PART NO	REV
	157300	



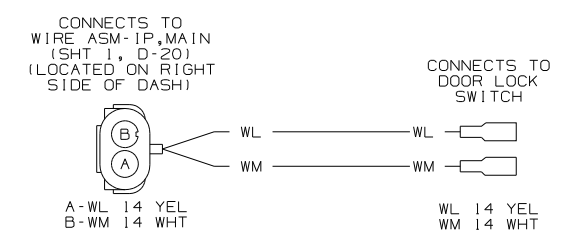
WIRING DIAGRAM-WIPER/WASHER
 (WIRE ASM 149214-05 REV-G)
 (FREIGHTLINER 27,910 300HP 5.9L 5 SPEED
 AND ALL FREIGHTLINER CHASSIS (JOB 2)
 WITH POLLAK GAUGES)



WIRING DIAGRAM-CRT BKR POWER
 (WIRE ASM CRT BRK,POWER 103991-01 REV-G)
 WIRE ASM COACH BKR FEED 103752-06-000 REV E)



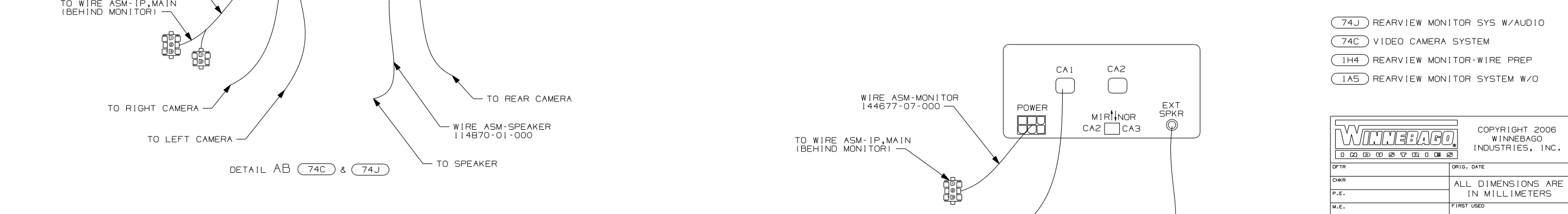
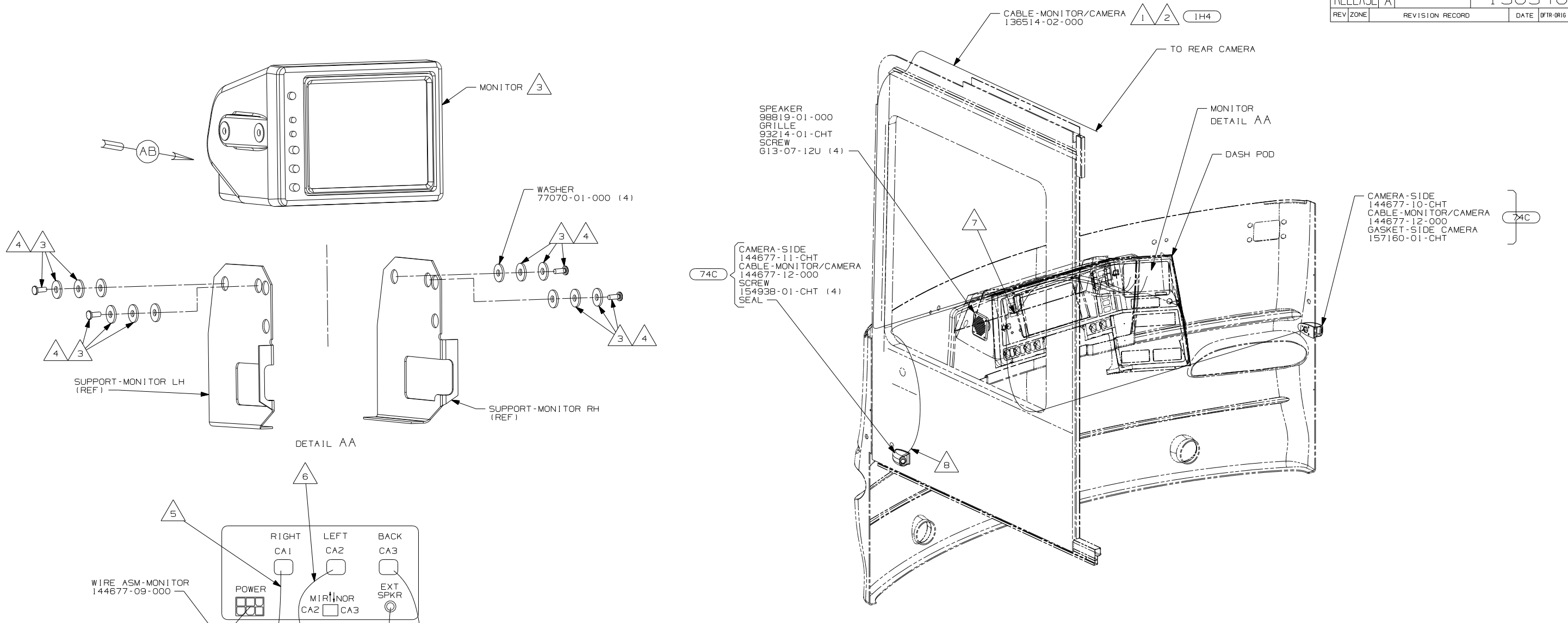
WIRING DIAGRAM-WIPER/WASHER
 (WIRE ASM 145778-02 REV-E)
 (FREIGHTLINER 29,410 350 7.2L 6 SPEED OR
 FREIGHTLINER 27,910 350 7.2L 6 SPEED WITH
 MEDALLION GAUGES)



WIRING DIAGRAM-DOOR LOCK
 (WIRE ASM 132267 REV-C)

NOTES:
 2 SEE SHEET 1 FOR ADDITIONAL INFORMATION
 1 SEE WIRING DIAGRAM-BODY,12V FOR ADDITIONAL INFORMATION

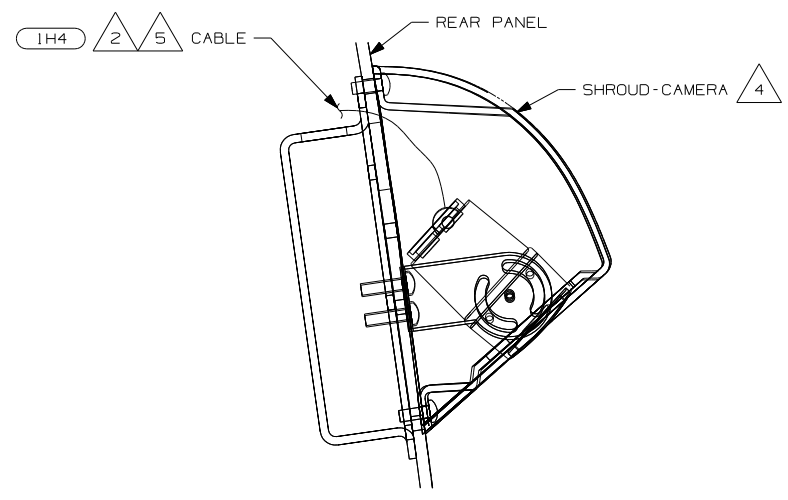
FIRST USED	07 P-SERIES
TITLE	DO NOT SCALE DRAWING
SHEET 4	WIRING DIAGRAM-AUTO
PART NO	157300
REV	



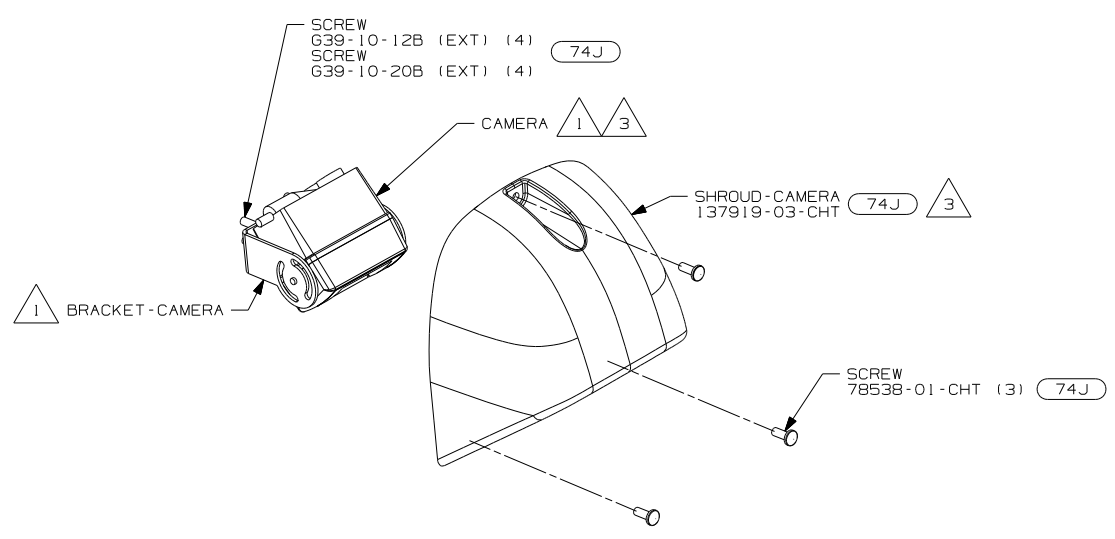
- NOTES:**
- 4 PARTS SUPPLIED WITH MONITOR P/N 144677-08-000 (74J) & (74C)
 - 3 PARTS SUPPLIED WITH MONITOR P/N 144677-06-000 (74J) ONLY.
 - 2 (1A5) OR (1H4) END STANDARD CABLE BEHIND REAR CAP (SHT 2) ON UNITS WITHOUT MONITOR & COIL UNDER DASH POD BEHIND MONITOR POCKET.
 - 1 RUN CABLE THRU LEFT HAND COVE TO FRONT OF UNIT AND DOWN LEFT A-PILLAR TO MONITOR
 - 8 CONNECT CAMERA THRU HOLE IN SIDEWALL, PUSH CONNECTOR BACK THRU SIDEWALL AND SEAL.
 - 7 ROUTE CABLE TO EXTERIOR THRU HOLE IN PANEL ALONG WITH WIRE ASM-IP,MAIN TO RIGHT CAMERA.
 - 6 MARK LEFT CABLE WITH YELLOW TAPE 900000-07-000 NEXT TO CONNECTOR.
 - 5 MARK RIGHT CABLE WITH WHITE TAPE 900000-08-000 NEXT TO CONNECTOR.

- (74J) REARVIEW MONITOR SYS W/AUDIO
- (74C) VIDEO CAMERA SYSTEM
- (1H4) REARVIEW MONITOR-WIRE PREP
- (1A5) REARVIEW MONITOR SYSTEM W/O

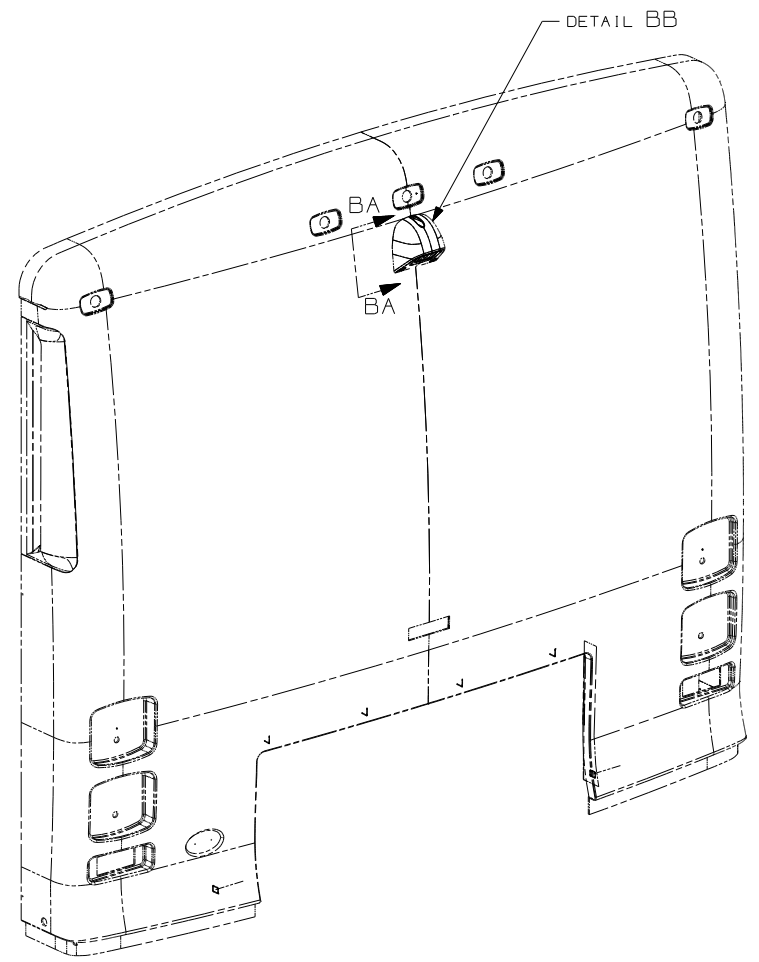
WINNEBAGO		COPYRIGHT 2006 WINNEBAGO INDUSTRIES, INC.	
DFT#	ORIG. DATE	ALL DIMENSIONS ARE IN MILLIMETERS	
CHKR		FIRST USED	
P.E.		07 P-SERIES	
M.E.		UNSPECIFIED TOLERANCES ARE:	
DSNR		MATERIAL:	
		WHOLE DIM (X)	:
		ONE-PLACE (X.X)	:
		TWO-PLACE (X.XX)	:
		ANGLE	:
		THIRD ANGLE PROJECTION	
DO NOT SCALE DRAWING			
TITLE: MONITOR INSTL			
SHEET 1 of 2	PART NO	156346	
REF:	1 6/16/2006		



SECTION BA-BA



DETAIL BB



- NOTES:
- 5 (1A5) OR (1H4) END STANDARD CABLE IN THIS AREA ON UNITS WITHOUT MONITOR.
 - 4 SEE PANEL-REAR CAP FOR LOCATION.
 - 3 ALIGN CAMERA IN CENTER OF SHROUD OPENING
 - 2 RUN CABLE THRU LEFT HAND COVE TO FRONT OF UNIT AND DOWN LEFT A-PILLAR TO MONITOR
 - 1 PARTS SUPPLIED WITH REAR CAMERA 144677-04-000. (74J)

- (74J) REAR VIEW MONITOR SYSTEM
- (1H4) REAR VIEW MONITOR-WIRE PREP
- (1A5) REARVIEW MONITOR SYSTEM W/O

FIRST USED	07 P-SERIES	
TITLE	DO NOT SCALE DRAWING	
TITLE	MONITOR INSTL	
SHEET 2	PART NO	156346

R-SERIES

	R36LD	R40FD	R40KD	R40TD
CABLE ASM (YEL) FROM BATTERY TO COACH SIDE OF AUX START SOLENOID	141417-52-030	141417-52-030	141417-52-030	141417-52-023
CABLE ASM (ORG) FROM COACH BATTERY TO INVERTER FUSE	141416-02-009	141416-02-009	141416-02-009	141416-02-009
CABLE ASM (ORG) FROM INVERTER FUSE TO INVERTER	141416-61-030	141416-61-030	141416-61-030	141416-61-062
CABLE ASM (BLK) FROM BATTERY TO INVERTER	133567-14-030	133567-14-030	133567-14-030	133567-14-062
CABLE ASM (BLK) FROM COACH BATTERY TO FRAME RAIL GND	133568-11-016	133568-11-016	133568-11-016	133568-11-016
CABLE ASM (BLK) FROM CHASSIS BATTERY TO FRAME RAIL GND	133568-11-013	133568-11-013	133568-11-013	133568-11-013
CABLE ASM (PUR) FROM BATTERY TO CHASSIS SIDE OF AUX START SOLENOID	141417-12-025	141417-12-025	141417-12-025	141417-12-025
CABLE ASM (BLU) FROM AUX START SOLENOID TO LEVELING SYSTEM POWER	141415-22-103	141415-22-113	141415-22-113	141415-22-113
CABLE ASM (GRN) FROM BAT DISC RELAY TO PASS THRU STUD	141416-42-110	141416-42-120	141416-42-120	141416-42-120
CABLE ASM (GRN) FROM PASS THRU STUD TO GENERATOR	141416-42-021	141416-42-021	141416-42-021	141416-42-021
CABLE ASM (BLK) FROM GENERATOR TO FRAME RAIL GROUND	133566-12-020	133566-12-020	133566-12-020	133566-12-020
CABLE ASM (RED) JUMPER BETWEEN POSITIVE POSTS ON COACH BATTERY	133568-01-003 (2)	133568-01-003 (2)	133568-01-003 (2)	133568-01-003 (2)
CABLE ASM (BLK) JUMPER BETWEEN NEGATIVE POSTS ON COACH BATTERY	133568-11-003 (2)	133568-11-003 (2)	133568-11-003 (2)	133568-11-003 (2)
CABLE ASM (RED) JUMPER BETWEEN POSITIVE POSTS IN LEFT FRONT COMPT	133568-01-002	133568-01-002	133568-01-002	133568-01-002
CABLE ASM-TEMPERATURE,BATTERY	148254-04-000	148254-04-000	148254-04-000	148254-06-000

- 1
- 2
- 3
- 2
- 3

P-SERIES (40D)

	P34H	P36G	P39K
CABLE ASM (YEL) FROM BATTERY TO COACH SIDE OF AUX START SOLENOID	141417-52-106	141417-52-106	141417-52-115
CABLE ASM (ORG) FROM COACH BATTERY TO INVERTER FUSE	156203-01-009	156203-01-009	156203-01-009
CABLE ASM (RED) FROM INVERTER FUSE TO INVERTER	136145-03-030	136145-03-030	136145-03-030
CABLE ASM (GRN) FROM BATTERY TO INVERTER	136145-04-030	136145-04-030	136145-04-030
CABLE ASM (BLK) FROM COACH BATTERY TO FRAME RAIL GND	133568-11-016	133568-11-016	133568-11-016
CABLE ASM (BLK) FROM CHASSIS BATTERY TO FRAME RAIL GND	133568-11-013	133568-11-013	133568-11-013
CABLE ASM (PUR) FROM BATTERY TO CHASSIS SIDE OF AUX START SOLENOID	141417-12-106	141417-12-106	141417-12-115
CABLE ASM (BLU) FROM AUX START SOLENOID TO LEVELING SYSTEM POWER	141415-22-018	141415-22-018	141415-22-018
CABLE ASM (GRN) FROM BAT DISC RELAY TO GENERATOR	141415-42-018	141415-42-018	141415-42-018
CABLE ASM (BLK) FROM GENERATOR TO FRAME RAIL GROUND	133566-12-020	133566-12-020	133566-12-020
CABLE ASM (RED) JUMPER BETWEEN POSITIVE POSTS ON COACH BATTERY	133568-01-003	133568-01-003	133568-01-003
CABLE ASM (BLK) JUMPER BETWEEN NEGATIVE POSTS ON COACH BATTERY	133568-11-003	133568-11-003	133568-11-003

- 1
- 3
- 2

S-SERIES

	S40FD	S40KD	S40TD
CABLE ASM (YEL) FROM BATTERY TO COACH SIDE OF AUX START SOLENOID	141417-52-030	141417-52-030	141417-52-023
CABLE ASM (ORG) FROM COACH BATTERY TO INVERTER FUSE	141416-02-009	141416-02-009	141416-02-009
CABLE ASM (ORG) FROM INVERTER FUSE TO INVERTER	141416-61-030	141416-61-030	141416-61-062
CABLE ASM (BLK) FROM BATTERY TO INVERTER	133567-14-030	133567-14-030	133567-14-062
CABLE ASM (BLK) FROM COACH BATTERY TO FRAME RAIL GND	133568-11-016	133568-11-016	133568-11-016
CABLE ASM (BLK) FROM CHASSIS BATTERY TO FRAME RAIL GND	133568-11-013	133568-11-013	133568-11-013
CABLE ASM (PUR) FROM BATTERY TO CHASSIS SIDE OF AUX START SOLENOID	141417-12-025	141417-12-025	141417-12-025
CABLE ASM (BLU) FROM AUX START SOLENOID TO LEVELING SYSTEM POWER	141415-22-113	141415-22-113	141415-22-113
CABLE ASM (GRN) FROM BAT DISC RELAY TO PASS THRU STUD	141416-42-120	141416-42-120	141416-42-120
CABLE ASM (GRN) FROM PASS THRU STUD TO GENERATOR	141416-42-025	141416-42-025	141416-42-025
CABLE ASM (BLK) FROM GENERATOR TO FRAME RAIL GROUND	133566-12-012	133566-12-012	133566-12-012
CABLE ASM (RED) JUMPER BETWEEN POSITIVE POSTS ON COACH BATTERY	133568-01-003 (2)	133568-01-003 (2)	133568-01-003 (2)
CABLE ASM (BLK) JUMPER BETWEEN NEGATIVE POSTS ON COACH BATTERY	133568-11-003 (2)	133568-11-003 (2)	133568-11-003 (2)
CABLE ASM (RED) JUMPER BETWEEN POSITIVE POSTS IN LEFT FRONT COMPT	133568-01-002	133568-01-002	133568-01-002
CABLE ASM-TEMPERATURE,BATTERY	148254-04-000	148254-04-000	148254-06-000

- 1
- 2
- 3
- 2
- 3

P-SERIES (13X)

	P34H	P36G	P39K
CABLE ASM (YEL) FROM BATTERY TO COACH SIDE OF AUX START SOLENOID	141417-52-106	141417-52-106	141417-52-115
CABLE ASM (ORG) FROM COACH BATTERY TO INVERTER FUSE	141416-02-009	141416-02-009	141416-02-009
CABLE ASM (ORG) FROM INVERTER FUSE TO INVERTER	141416-61-030	141416-61-030	141416-61-030
CABLE ASM (BLK) FROM BATTERY TO INVERTER	133567-14-030	133567-14-030	133567-14-030
CABLE ASM (BLK) FROM COACH BATTERY TO FRAME RAIL GND	133568-11-016	133568-11-016	133568-11-016
CABLE ASM (BLK) FROM CHASSIS BATTERY TO FRAME RAIL GND	133568-11-013	133568-11-013	133568-11-013
CABLE ASM (PUR) FROM BATTERY TO CHASSIS SIDE OF AUX START SOLENOID	141417-12-106	141417-12-106	141417-12-115
CABLE ASM (BLU) FROM AUX START SOLENOID TO LEVELING SYSTEM POWER	141415-22-018	141415-22-018	141415-22-018
CABLE ASM (GRN) FROM BAT DISC RELAY TO GENERATOR	141415-42-018	141415-42-018	141415-42-018
CABLE ASM (BLK) FROM GENERATOR TO FRAME RAIL GROUND	133566-12-020	133566-12-020	133566-12-020
CABLE ASM (RED) JUMPER BETWEEN POSITIVE POSTS ON COACH BATTERY	133568-01-003 (2)	133568-01-003 (2)	133568-01-003 (2)
CABLE ASM (BLK) JUMPER BETWEEN NEGATIVE POSTS ON COACH BATTERY	133568-11-003 (2)	133568-11-003 (2)	133568-11-003 (2)
CABLE ASM-TEMPERATURE,BATTERY	148254-04-000	148254-04-000	148254-04-000

- 1
- 3
- 2

- (40D) INVERTER-DC/AC,600 WATT
- (13X) INVERTER/CHARGER 2.0 KW
- (265) CODES/STANDARDS-CSA/CMVSS
- (1B1) CODES/STANDARDS USA
- (1B1) (265)

WINNEBAGO COPYRIGHT 2006 WINNEBAGO INDUSTRIES, INC.

D/FR	ORIG. DATE
CHKR	ALL DIMENSIONS ARE IN MILLIMETERS
P.E.	FIRST USED
M.E.	07 P,R,S-SERIES
DSNR	
UNSPECIFIED TOLERANCES ARE:	MATERIAL:
HOLE DIM (X)	: 3
ONE-PLACE (X.X)	: 1.5
TWO-PLACE (X.XX)	: 0.50
ANGLE	: 1°
THIRD ANGLE PROJECTION	

DO NOT SCALE DRAWING

TITLE: BATTERY INSTL

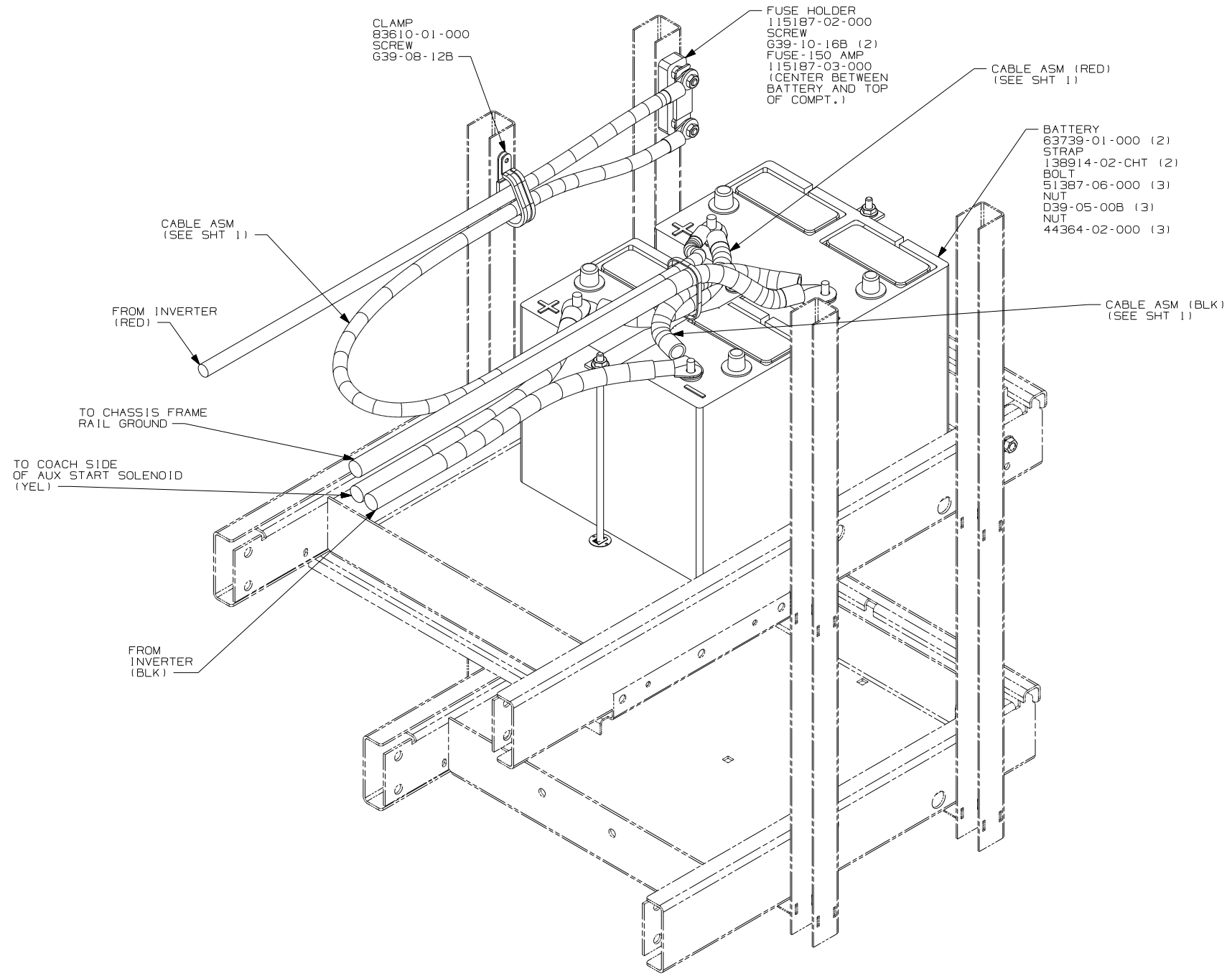
SHEET 1 of 5 PART NO 159642 REV

REF: 1 4/24/2007

- 3 SEE WIRING INSTL-FRONT END FOR ADDITIONAL INFORMATION.
 - 2 SEE WIRING INSTL-CHASSIS FOR ADDITIONAL INFORMATION.
 - 1 SEE LEVELING SYSTEM INSTL FOR ADDITIONAL INFORMATION.
- NOTES:

FOR ELECTRICAL TORQUE SPECIFICATIONS SEE DWG NO. 128783-01-000

FOR ELECTRICAL CALLOUTS SEE DWG NO. 121339-01-000



COACH BATTERIES

- 40D INVERTER-DC/AC,600 WATT
- 265 CODES/STANDARDS-CSA/CMVSS
- 1B1 CODES/STANDARDS USA

1B1 265 40D

FIRST USED
07 P,R,S-SERIES

DO NOT SCALE DRAWING

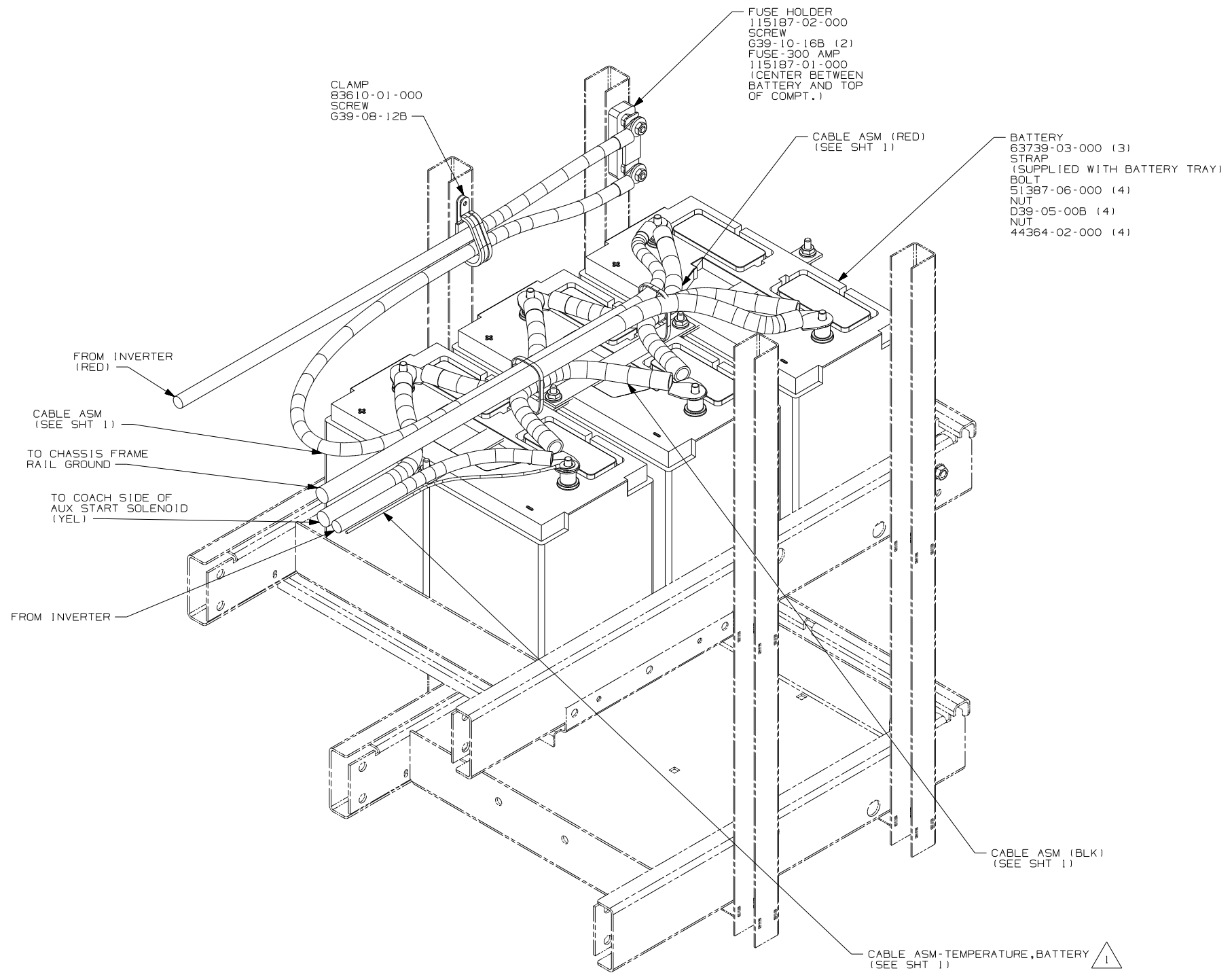
TITLE:
BATTERY INSTL

SHEET 2 PART NO 159642 REV

FOR ELECTRICAL TORQUE SPECIFICATIONS SEE DWG NO. 128783-01-000



FOR ELECTRICAL CALLOUTS SEE DWG NO. 121339-01-000



COACH BATTERIES

1 CONNECT RING TERMINAL OF CABLE ASM-TEMP,BATTERY TO NEGATIVE POST AS SHOWN AND ROUTE CABLE WITH NEGATIVE BATTERY CABLE TO INVERTER.

NOTES:

FOR ELECTRICAL TORQUE SPECIFICATIONS SEE DWG NO. 128783-01-000

X-X FOR ELECTRICAL CALLOUTS SEE DWG NO. 121339-01-000

- 13X INVERTER/CHARGER 2.0 KW
- 265 CODES/STANDARDS-CSA/CMVSS
- 1B1 CODES/STANDARDS USA

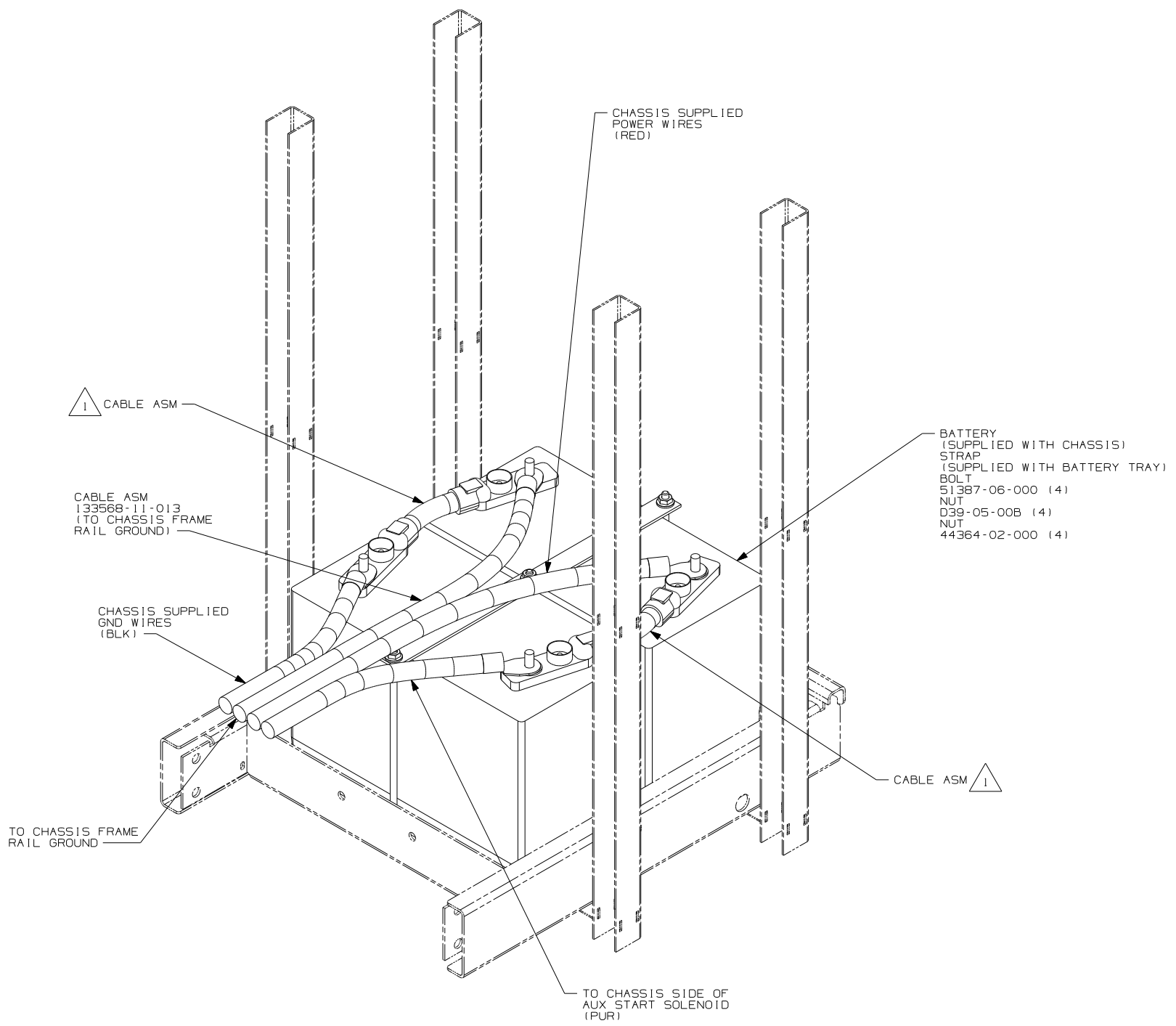
1B1 265 13X

FIRST USED 07 P,R,S-SERIES

DO NOT SCALE DRAWING

TITLE: BATTERY INSTL

SHEET 3 PART NO 159642 REV



CHASSIS BATTERIES

265 CODES/STANDARDS - CSA/CMVSS

1B1 CODES/STANDARDS USA

1B1 265

FIRST USED 07 P, R, S - SERIES

DO NOT SCALE DRAWING

TITLE: BATTERY INSTL

SHEET 4 PART NO 159642 REV

1 4/24/2007

FOR ELECTRICAL TORQUE SPECIFICATIONS SEE DWG NO. 128783-01-000

FOR ELECTRICAL CALLOUTS SEE DWG NO. 121339-01-000

NOTES: 1 SUPPLIED WITH CHASSIS.

8

7

6

5

4

3

2

1

D

D

C

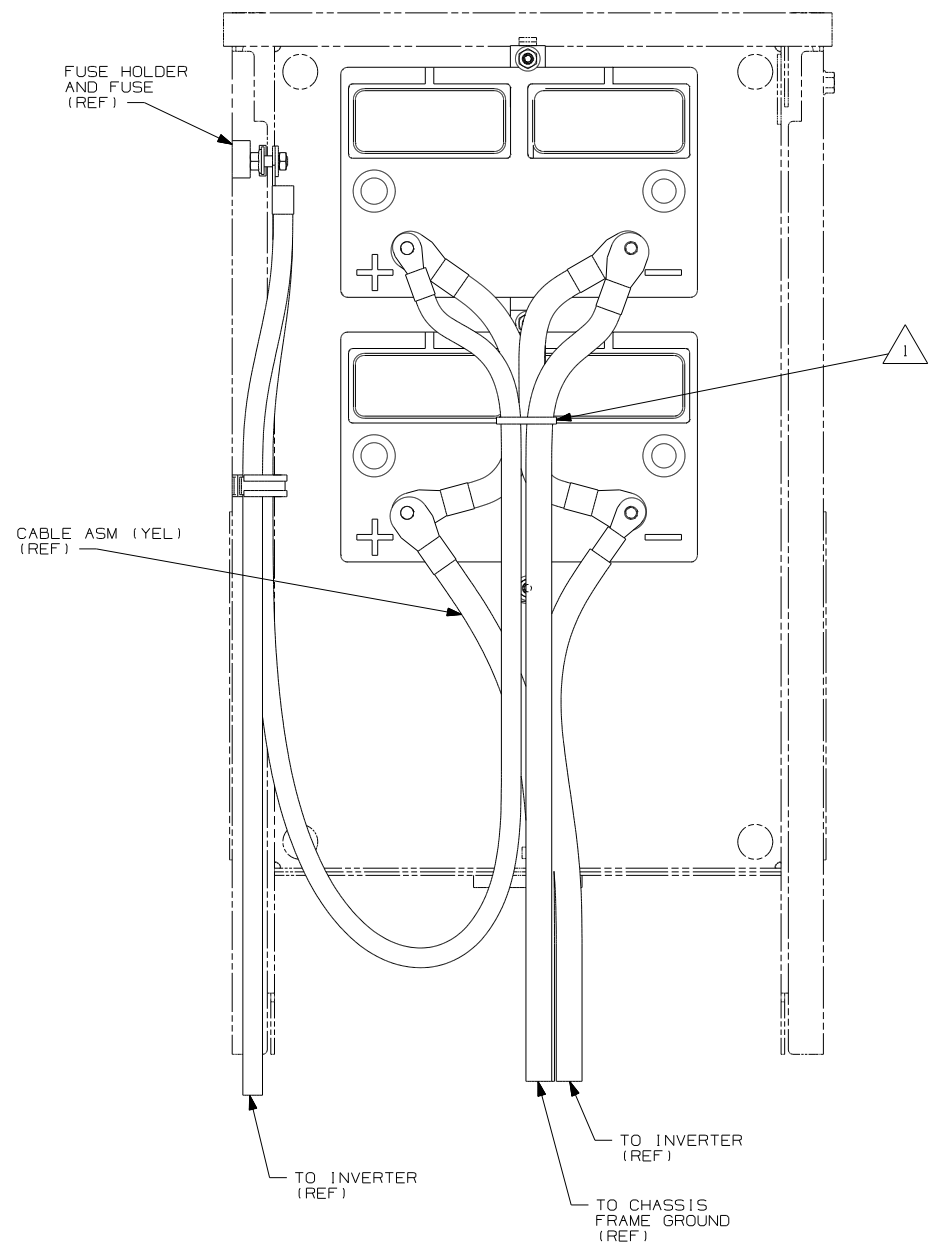
C

B

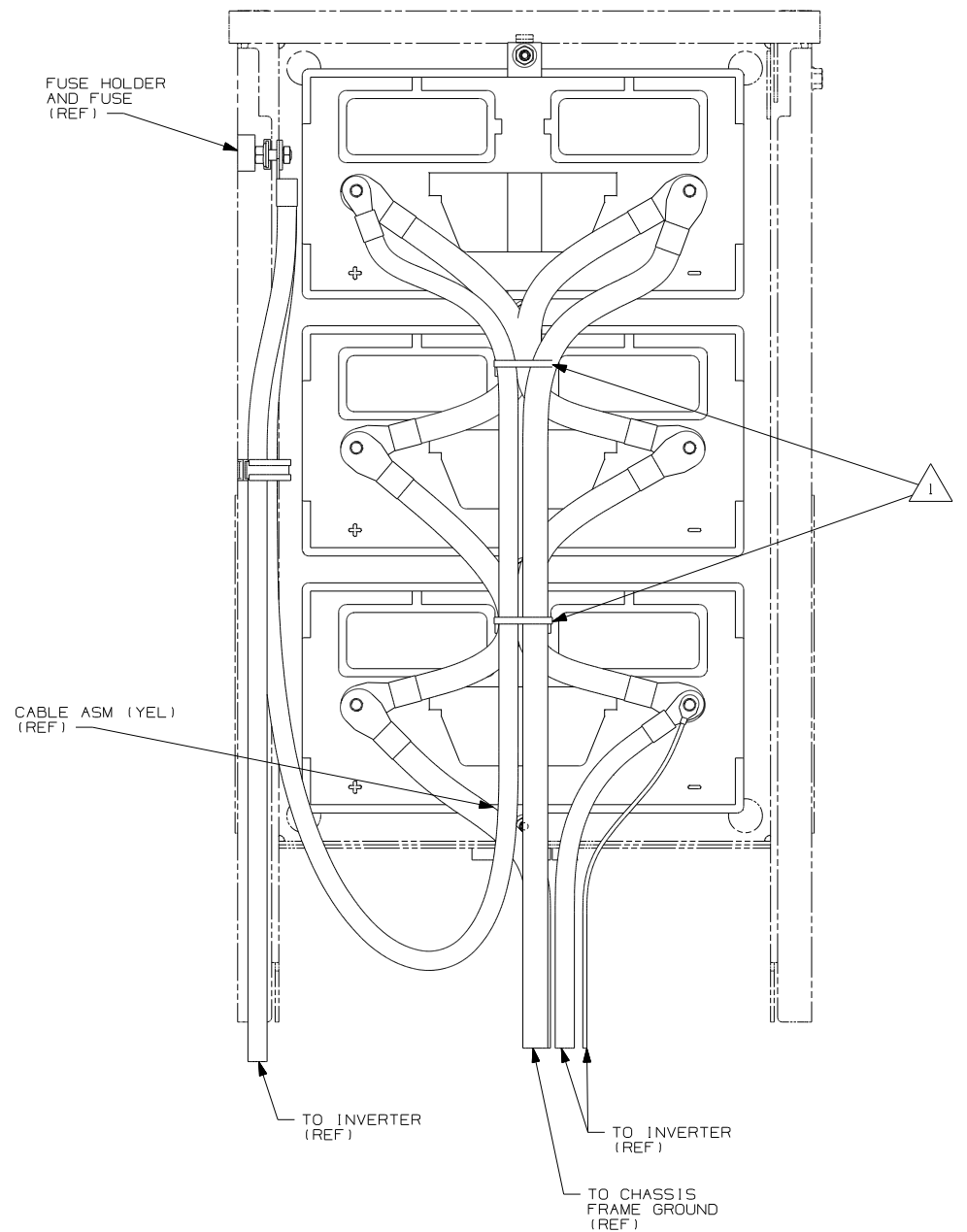
B

A

A



COACH BATTERIES 40D (TOP VIEW)



COACH BATTERIES 13X (TOP VIEW)

1 ROUTE CABLES SO BATTERY CAPS CAN BE REMOVED FOR SERVICE.
USE WIRE TIE 008343-02-000 AS SHOWN AND AS NEEDED.

NOTES:

FOR ELECTRICAL TORQUE SPECIFICATIONS SEE DWG NO. 128783-01-000

X-X FOR ELECTRICAL CALLOUTS SEE DWG NO. 121339-01-000

- 40D INVERTER-DC/AC, 600 WATT
- 13X INVERTER/CHARGER 2.0 KW
- 265 CODES/STANDARDS-CSA/CMVSS
- 1B1 CODES/STANDARDS USA

1B1 265

FIRST USED 07 P, R, S-SERIES

DO NOT SCALE DRAWING

TITLE: BATTERY INSTL

SHEET 5 PART NO 159642 REV

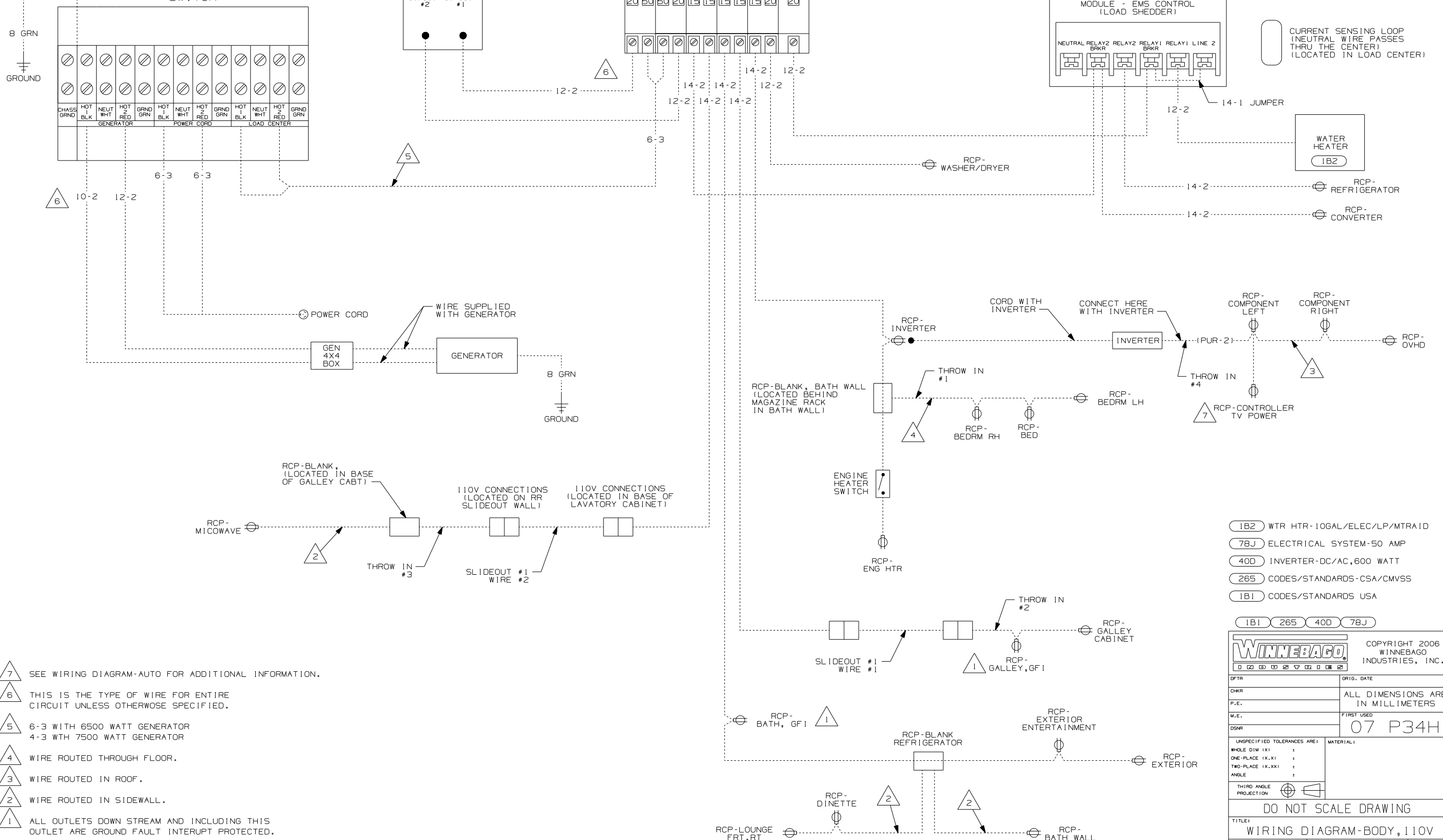
AUTOMATIC TRANSFER SWITCH

CENTRAL AIR UNIT
(LOCATED IN RIGHT REAR COMPARTMENT BELOW FLOOR)

LOAD CENTER

MODULE - EMS CONTROL
(LOAD SHEDDER)

CURRENT SENSING LOOP
(NEUTRAL WIRE PASSES THRU THE CENTER)
(LOCATED IN LOAD CENTER)



- NOTES:**
- 7 SEE WIRING DIAGRAM-AUTO FOR ADDITIONAL INFORMATION.
 - 6 THIS IS THE TYPE OF WIRE FOR ENTIRE CIRCUIT UNLESS OTHERWISE SPECIFIED.
 - 5 6-3 WITH 6500 WATT GENERATOR
4-3 WITH 7500 WATT GENERATOR
 - 4 WIRE ROUTED THROUGH FLOOR.
 - 3 WIRE ROUTED IN ROOF.
 - 2 WIRE ROUTED IN SIDEWALL.
 - 1 ALL OUTLETS DOWN STREAM AND INCLUDING THIS OUTLET ARE GROUND FAULT INTERRUPT PROTECTED.

- 1B2 WTR HTR-10GAL/ELEC/LP/MTR/ID
- 78J ELECTRICAL SYSTEM-50 AMP
- 40D INVERTER-DC/AC,600 WATT
- 265 CODES/STANDARDS-CSA/CMVSS
- 1B1 CODES/STANDARDS USA

WINNEBAGO COPYRIGHT 2006 WINNEBAGO INDUSTRIES, INC.

DFT	ORIG. DATE
CHKR	ALL DIMENSIONS ARE IN MILLIMETERS
P.E.	
M.E.	FIRST USED
DSNR	07 P34H

UNSPECIFIED TOLERANCES ARE: MATERIAL:

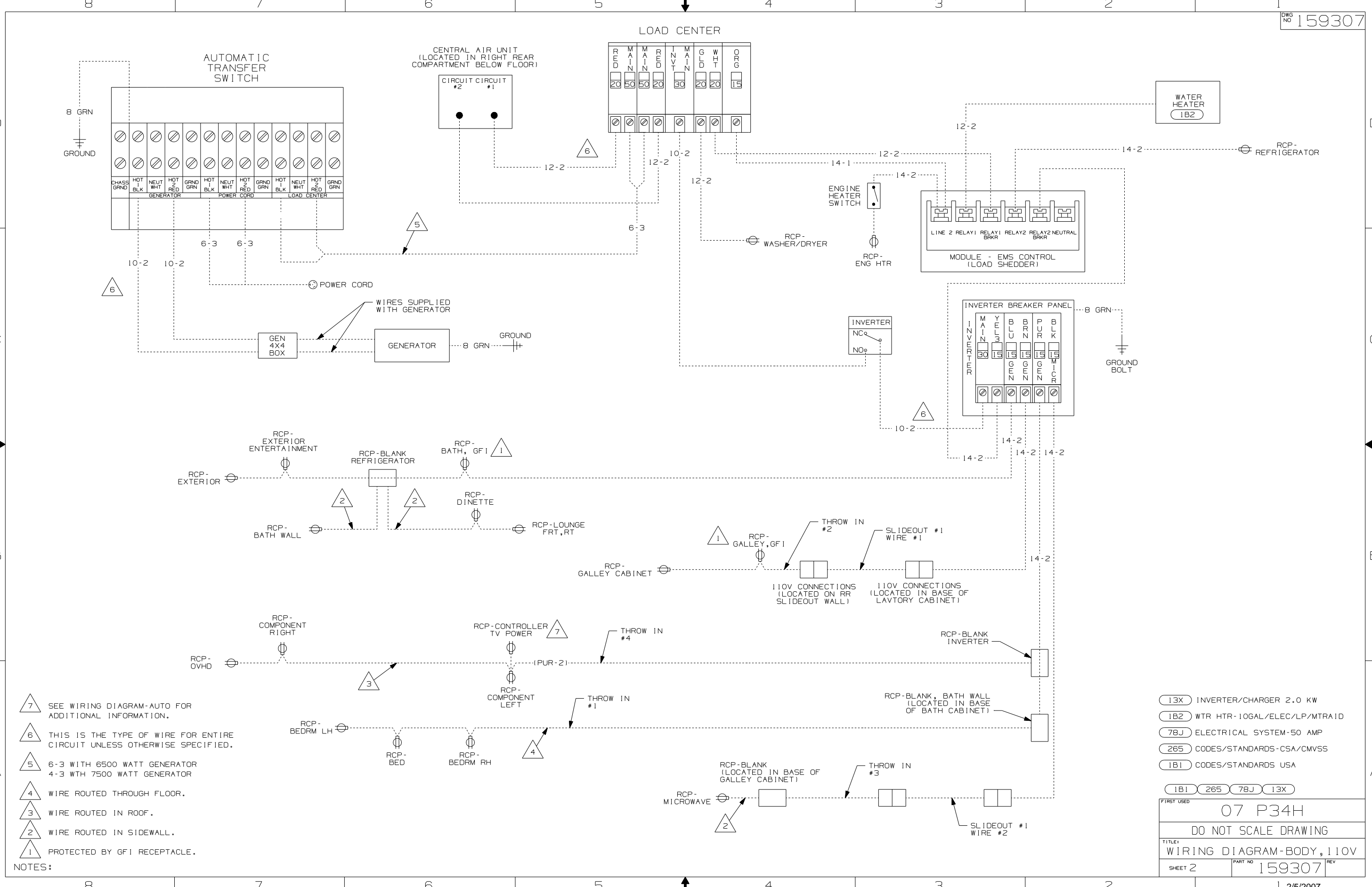
WHOLE DIM (X) :
ONE-PLACE (X.X) :
TWO-PLACE (X.XX) :
ANGLE :
THIRD ANGLE PROJECTION

DO NOT SCALE DRAWING

TITLE: **WIRING DIAGRAM-BODY, 110V**

SHEET 1 OF 2 PART NO 159307 REV

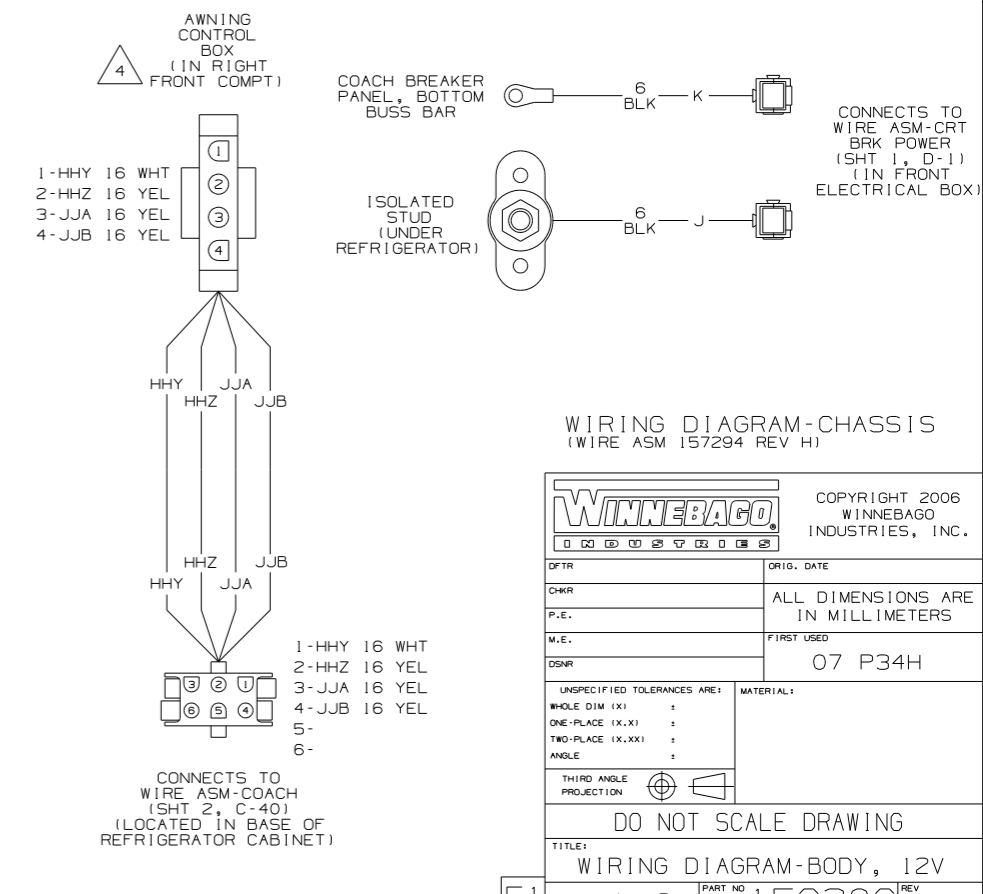
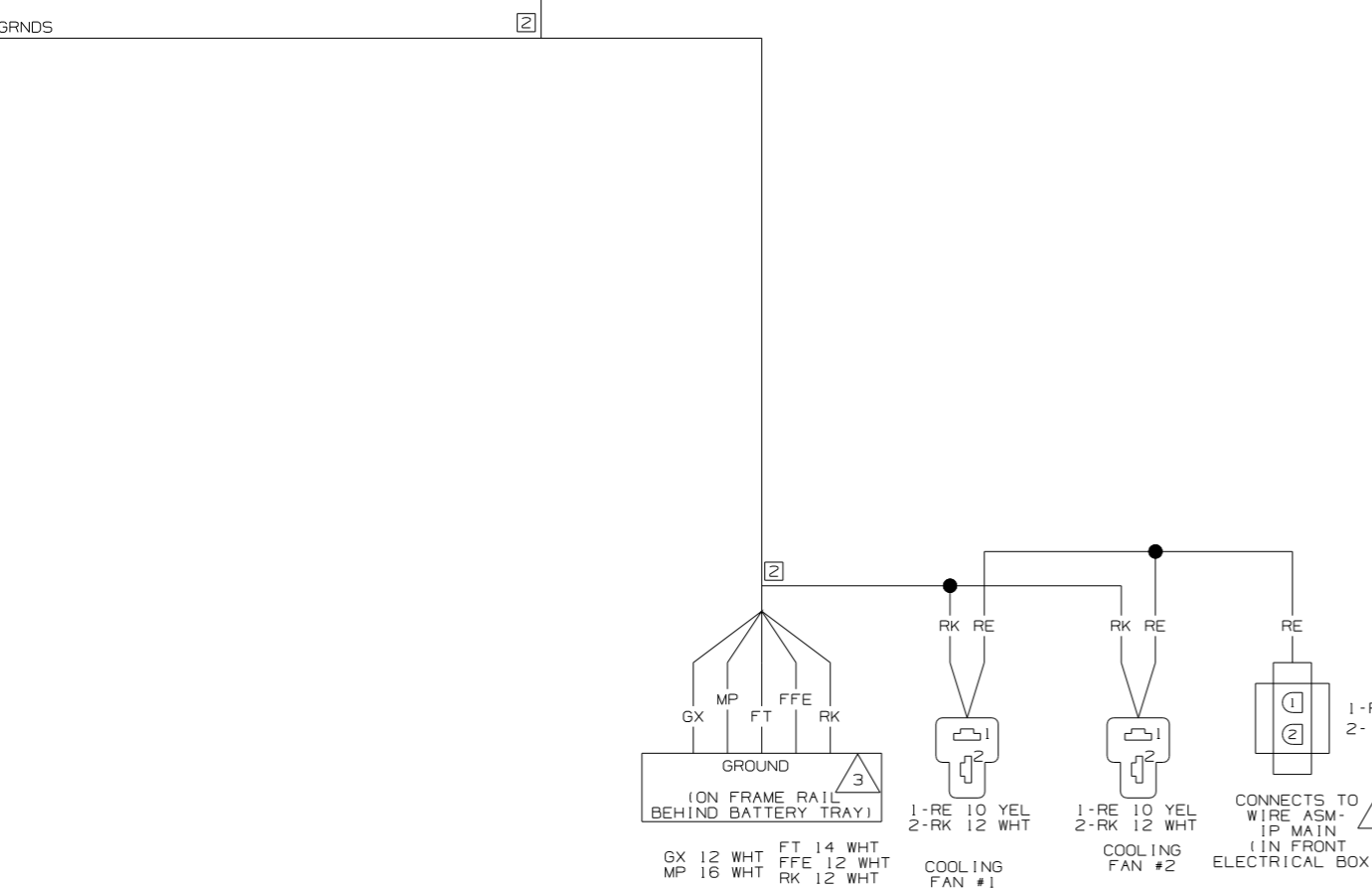
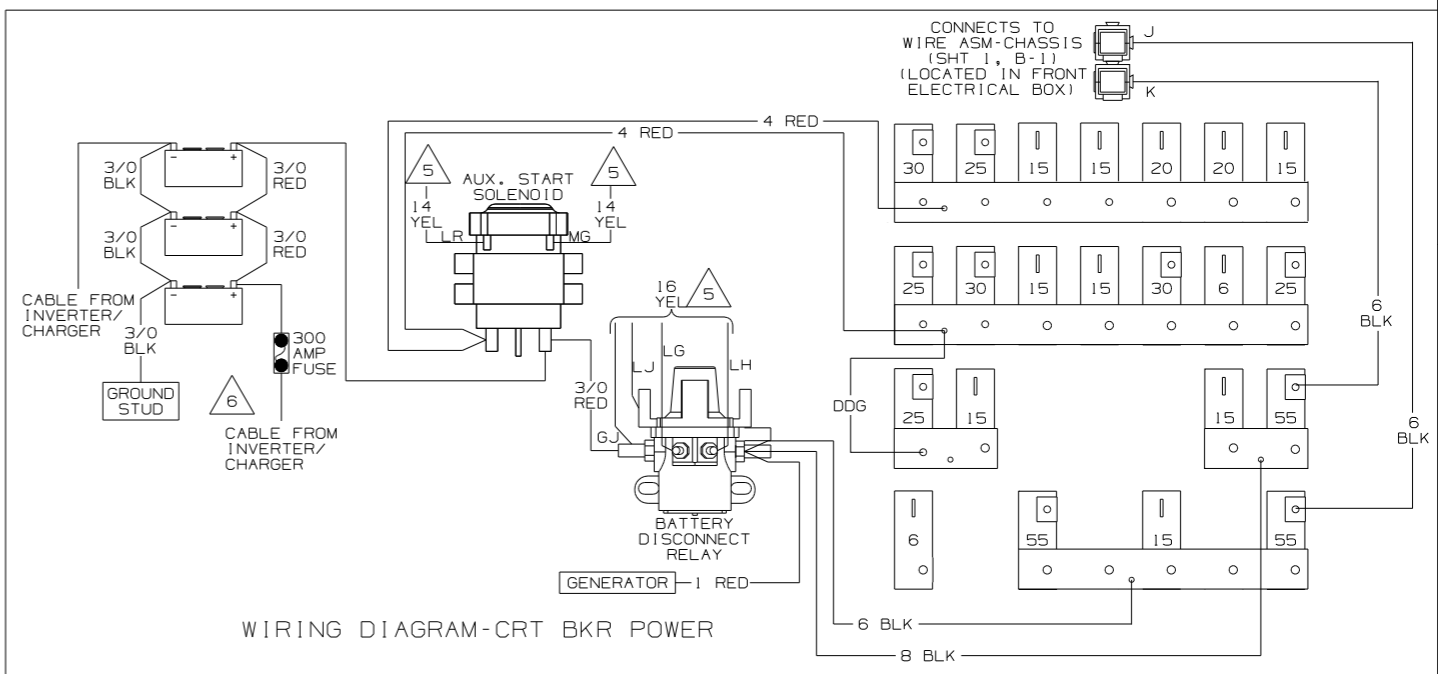
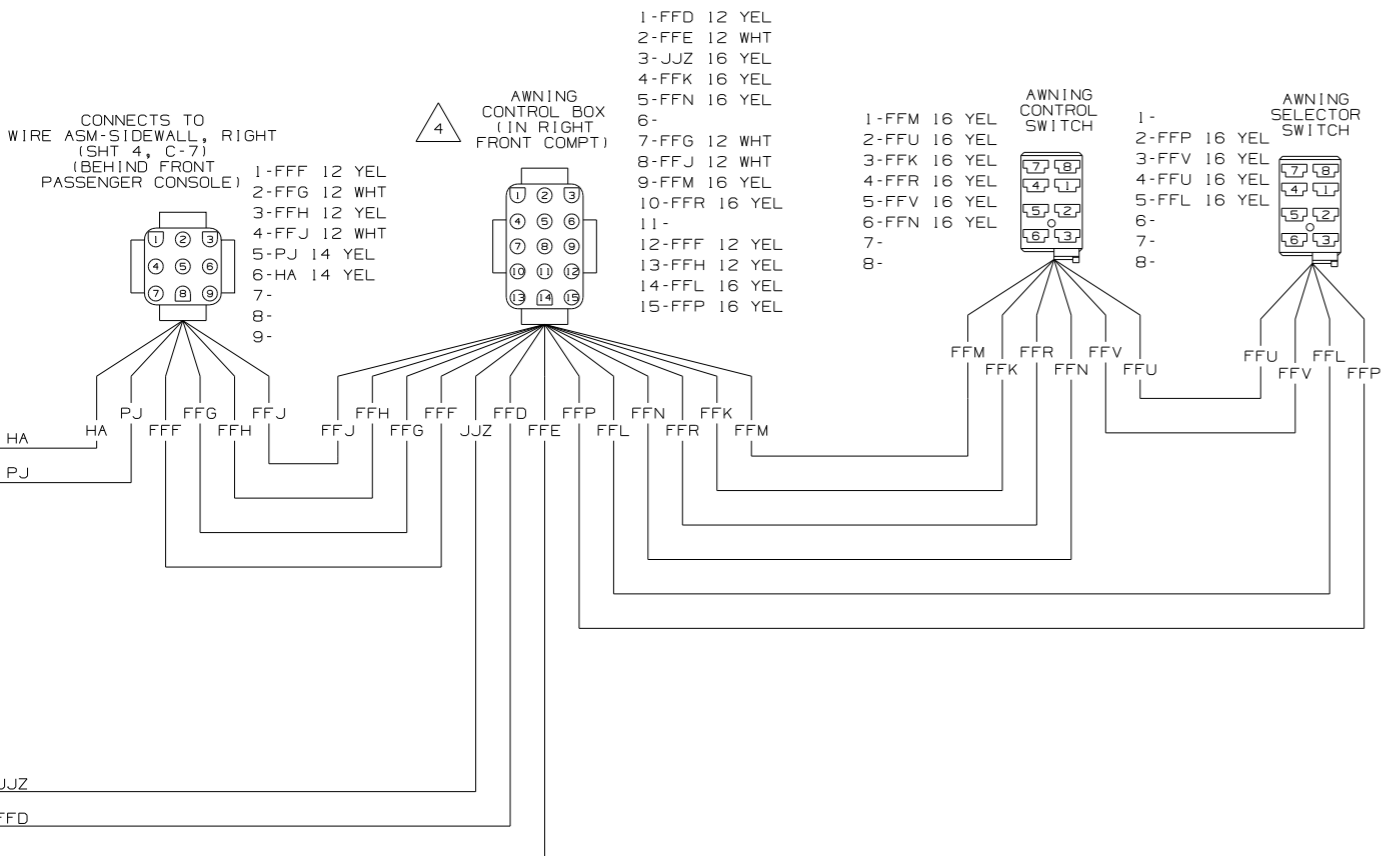
REF: 1 2/5/2007



- NOTES:
- 7 SEE WIRING DIAGRAM-AUTO FOR ADDITIONAL INFORMATION.
 - 6 THIS IS THE TYPE OF WIRE FOR ENTIRE CIRCUIT UNLESS OTHERWISE SPECIFIED.
 - 5 6-3 WITH 6500 WATT GENERATOR
4-3 WITH 7500 WATT GENERATOR
 - 4 WIRE ROUTED THROUGH FLOOR.
 - 3 WIRE ROUTED IN ROOF.
 - 2 WIRE ROUTED IN SIDEWALL.
 - 1 PROTECTED BY GFI RECEPTACLE.

- 13X INVERTER/CHARGER 2.0 KW
- 1B2 WTR HTR-10GAL/ELEC/LP/MTR/1D
- 78J ELECTRICAL SYSTEM-50 AMP
- 265 CODES/STANDARDS-CSA/CMVSS
- 1B1 CODES/STANDARDS USA

FIRST USED	07 P34H	
TITLE	DO NOT SCALE DRAWING	
TITLE	WIRING DIAGRAM-BODY, 110V	
SHEET 2	PART NO	159307
REV		



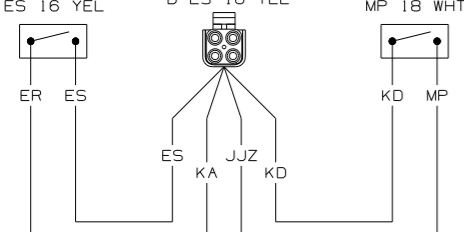
WIRING DIAGRAM-CHASSIS (WIRE ASM 157294 REV H)

WINNEBAGO		COPYRIGHT 2006 WINNEBAGO INDUSTRIES, INC.	
DFTR	ORIG. DATE	ALL DIMENSIONS ARE IN MILLIMETERS	
CHR		FIRST USED	
P.E.		07 P34H	
M.E.		UNSPECIFIED TOLERANCES ARE:	
DSNR		MATERIAL:	
		WHOLE DIM (X)	:
		ONE-PLACE (X.X)	:
		TWO-PLACE (X.XX)	:
		ANGLE	:
		THIRD ANGLE PROJECTION	
DO NOT SCALE DRAWING			
TITLE: WIRING DIAGRAM-BODY, 12V			
SHEET 1 of 8	PART NO 159306	REV	

ELECTRIC STEP KILL SWITCH
ER 16 YEL
ES 16 YEL

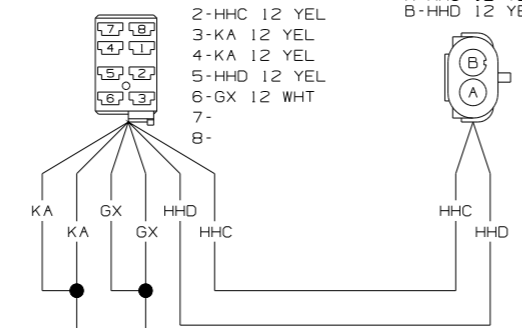
ELECTRIC STEP
A-KA 12 YEL
B-JJZ 16 YEL
C-KD 18 WHT
D-ES 16 YEL

ELECTRIC STEP DOOR SWITCH
KD 18 WHT
MP 18 WHT

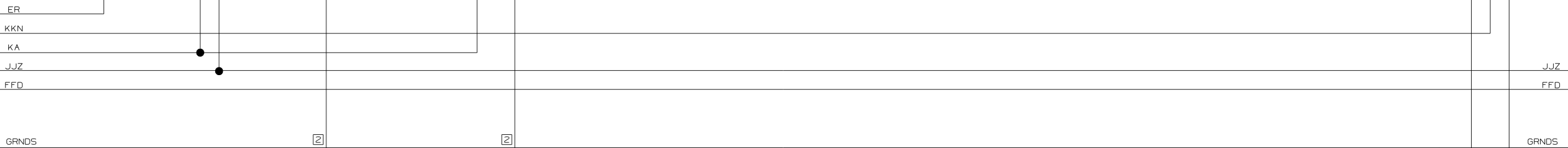
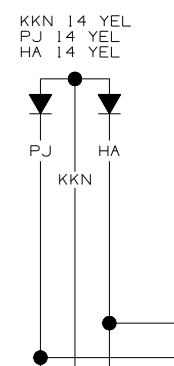


STEP COVER SWITCH
1-GX 12 WHT
2-HHC 12 YEL
3-KA 12 YEL
4-KA 12 YEL
5-HHD 12 YEL
6-GX 12 WHT
7-
8-

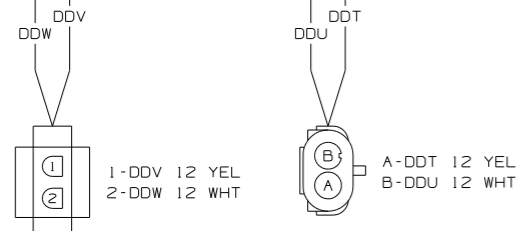
STEP COVER MOTOR (LOCATED BEHIND ENTRANCE STEP)
A-HHC 12 YEL
B-HHD 12 YEL



DIODES
KKN 14 YEL
PJ 14 YEL
HA 14 YEL

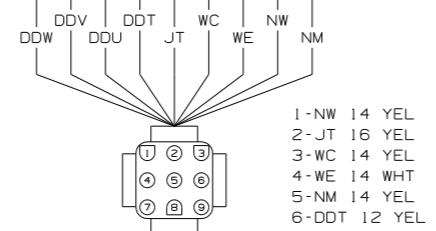


DDT
DDU
DDV
DDW



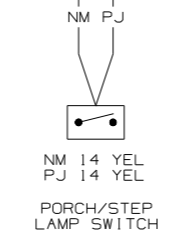
CONNECTS TO WIRE ASM-COAPT DOOR LOCKS (SHT 4, D-6) (LOCATED ON BACK OF DOOR)

CONNECTS TO WIRE ASM-COACH DOOR LOCKS (SHT 4, D-8) (LOCATED ON BACK OF DOOR)

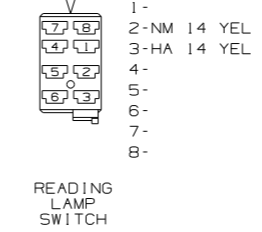


CONNECTS TO WIRE ASM-COACH (SHT 2, A-19) (IN BASE OF REFRIGERATOR CABT)

- 1-NW 14 YEL
- 2-JT 16 YEL
- 3-WC 14 YEL
- 4-WE 14 WHT
- 5-NM 14 YEL
- 6-DDT 12 YEL
- 7-DDU 12 WHT
- 8-DDV 12 YEL
- 9-DDW 12 WHT



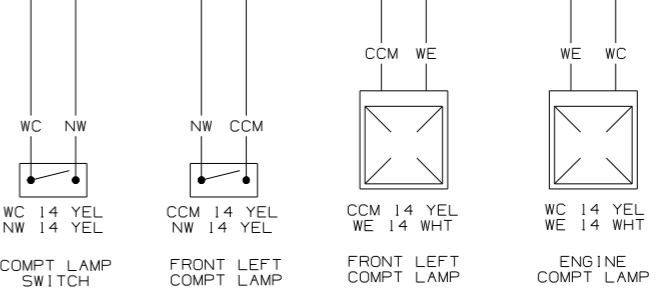
NM 14 YEL
PJ 14 YEL
PORCH/STEP LAMP SWITCH



1-
2-NM 14 YEL
3-HA 14 YEL
4-
5-
6-
7-
8-

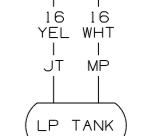
WC 14 YEL
NW 14 YEL
COMPT LAMP SWITCH

NW CCM
COMPT LAMP SWITCH

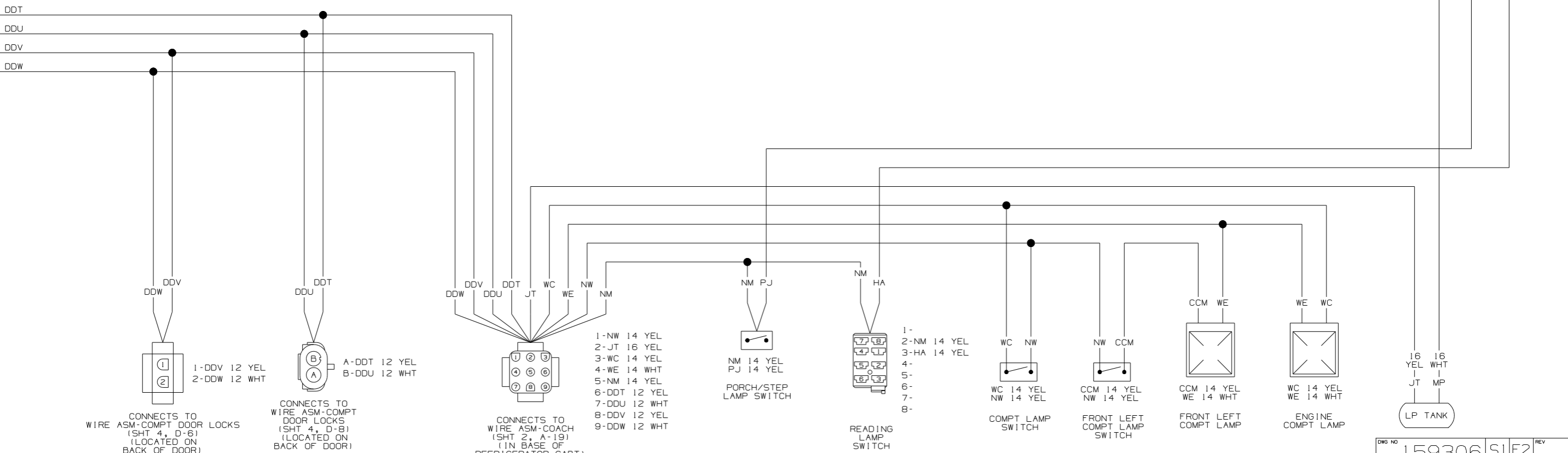


CCM WE
FRONT LEFT COMPT LAMP

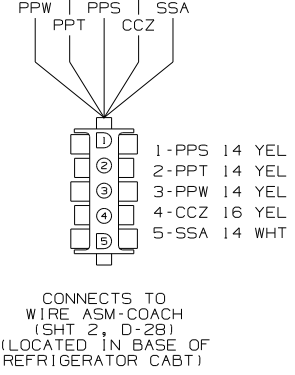
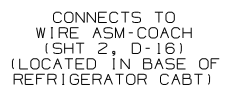
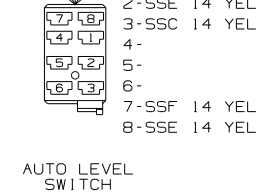
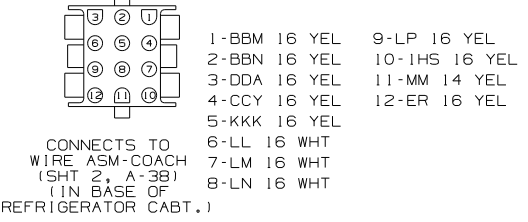
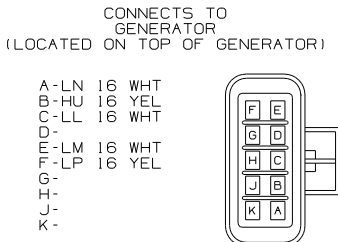
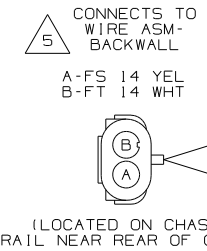
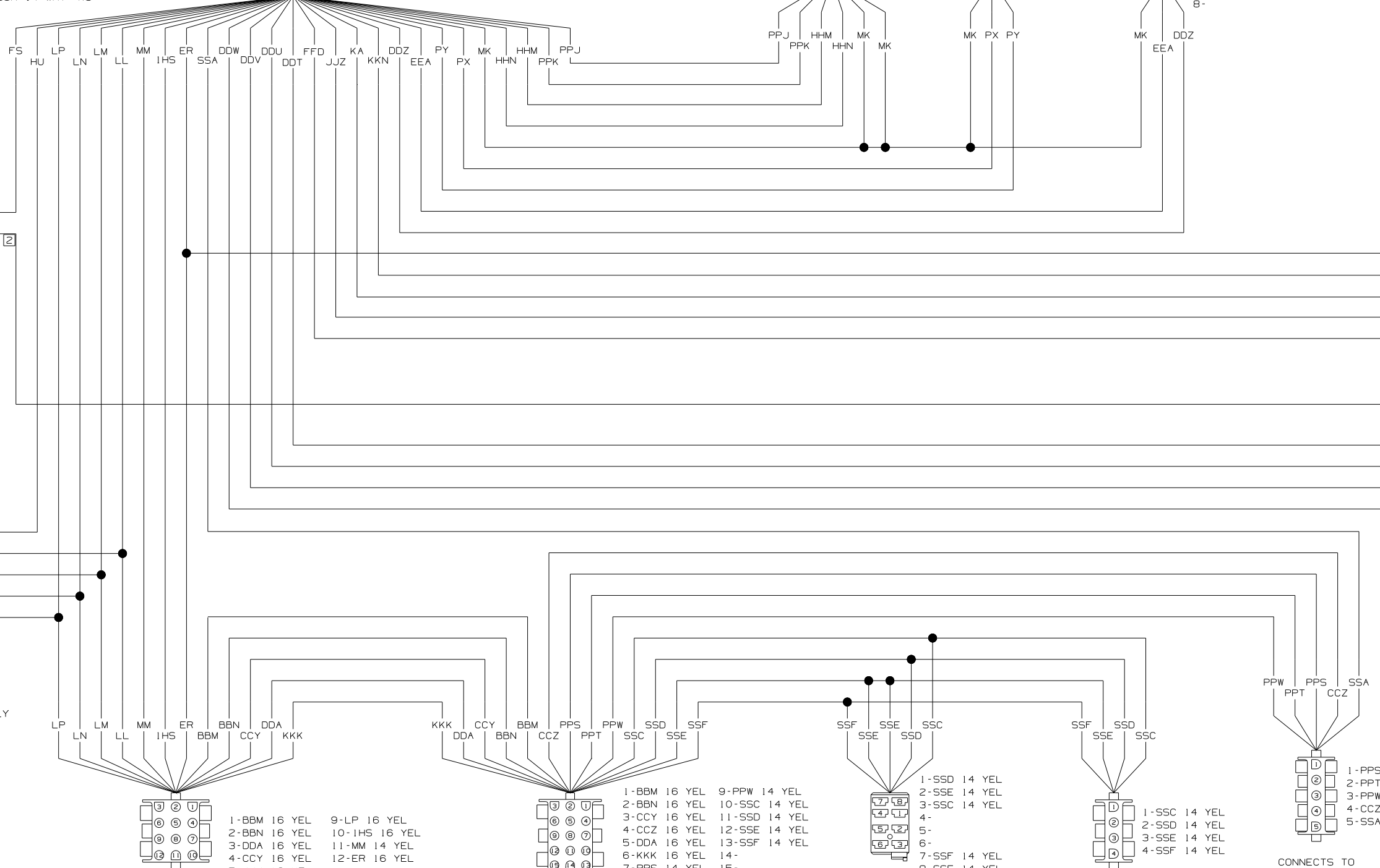
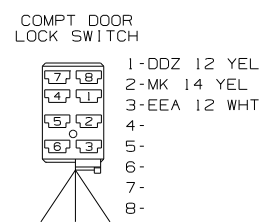
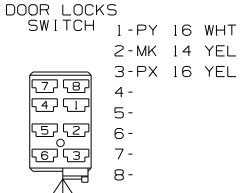
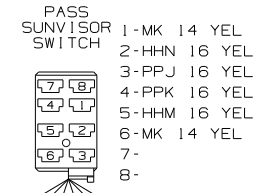
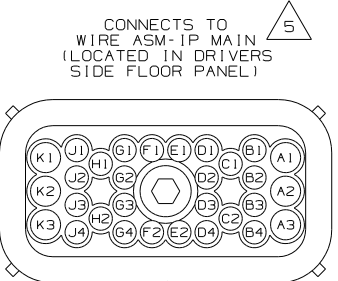
WE WC
ENGINE COMPT LAMP



16 YEL
16 WHT
JT MP
LP TANK



- A1- D2-LM 16 WHT G4-
 A2-EEA 12 WHT D3-LN 16 WHT H1-HHN 16 YEL
 A3-FS 14 YEL D4-HU 16 YEL H2-PX 16 YEL
 B1-DDT 12 YEL E1-MM 14 YEL J1-KKN 14 YEL
 B2-DDU 12 WHT E2-IHS 16 YEL J2-JJZ 16 YEL
 B3-DDV 12 YEL F1-MK 14 YEL J3-ER 16 YEL
 B4-DDW 12 WHT F2-LP 16 YEL J4-PY 16 WHT
 C1-DDZ 12 YEL G1-PPJ 16 YEL K1-FFD 12 YEL
 C2-HHM 16 YEL G2-PPK 16 YEL K2-KA 12 YEL
 D1-LL 16 WHT G3-SSA 14 WHT K3-



- 6** WITHOUT INVERTER-CHARGER THERE ARE ONLY TWO BATTERIES AND NO 300 AMP FUSE.
5 SEE WIRING DIAGRAM-AUTO FOR ADDITIONAL INFORMATION.
4 SEE MANUFACTURERS DIAGRAM FOR ADDITIONAL INFORMATION.
3 GROUNDS ARE SHOWN AS A SINGLE LINE FOR EASE IN TRACING. EACH GROUND CIRCUIT IS SEPARATE IN THE HARNESS.
2 NOT A SPLICE POINT. INDICATES ENTRY INTO WIRING HARNESS.
 1. SPLICES ARE THEORETICAL AND MAY DIFFER IN THE HARNESS.

- HHB 14 WHT
- WE 14 WHT
- UK 16 WHT
- GL-1 16 WHT
- JN 14 WHT
- IHT 16 WHT
- ND 14 WHT
- NC 14 WHT
- EU 16 WHT
- JY 12 WHT
- EED 12 WHT
- JP 14 WHT
- PM 14 WHT
- JX 14 WHT
- NE 14 WHT
- MS 14 WHT
- JM 14 WHT
- NF 14 WHT
- U 6 GRN
- L 6 GRN

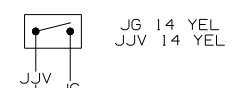
3 (LOCATED IN POWERCORD COMPARTMENT)

CONNECTS TO WIRE ASM-SIDEWALL (SHT 7, C-3) (LOCATED IN BASE OF WASHER/DRYER CABT.)

CONNECTS TO WIRE ASM-SIDEWALL, RIGHT (SHT 4, C-2) (LOCATED IN BASE OF REFRIGERATOR CABT.)

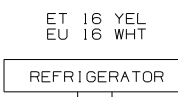
LOUNGE CEILING LAMP SWITCH

MONITOR LAMP SWITCH



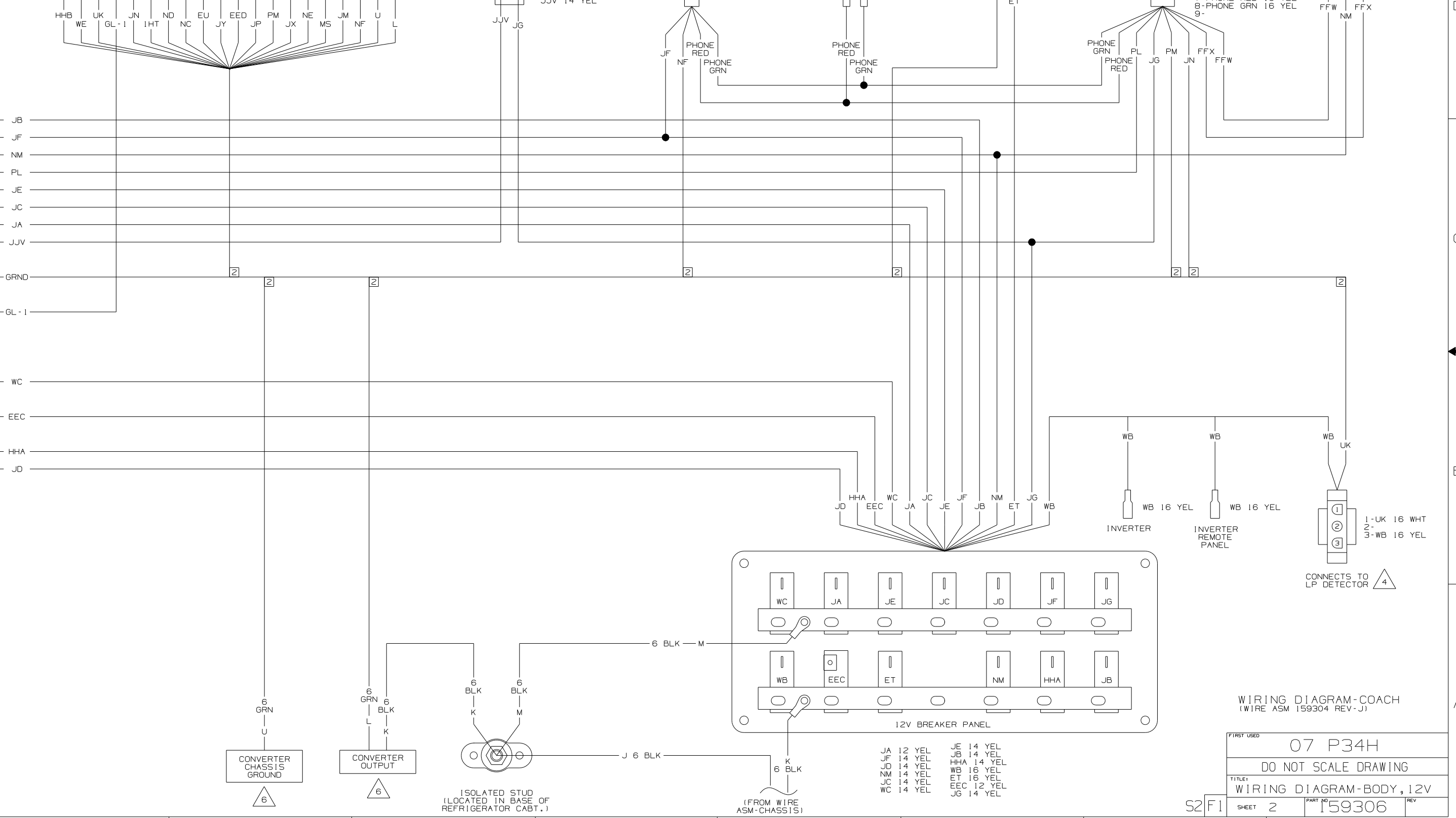
- 1-JF 14 YEL
- 2-NF 14 WHT
- 3-PHONE RED 16 YEL
- 4-PHONE GRN 16 YEL

TELEPHONE INPUT



- 1-PM 14 WHT
- 2-PL 14 YEL
- 3-FFW 14 YEL
- 4-FFX 14 YEL
- 5-JG 14 YEL
- 6-JN 14 WHT
- 7-PHONE RED 16 YEL
- 8-PHONE GRN 16 YEL
- 9-

FFW 14 YEL, NM 14 YEL, FFX 14 YEL

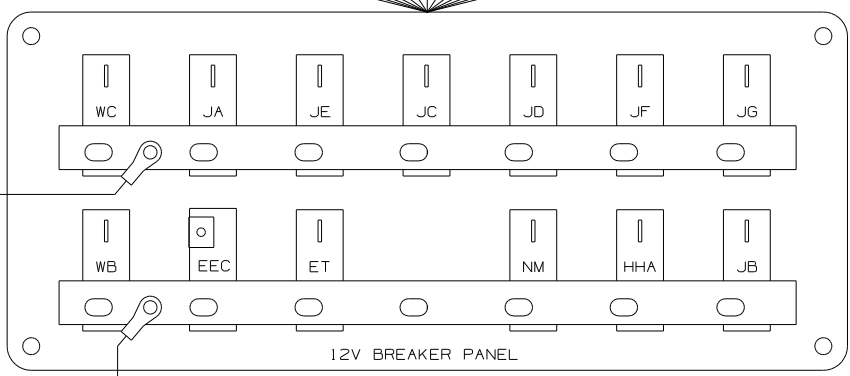


CONVERTER CHASSIS GROUND

CONVERTER OUTPUT

ISOLATED STUD (LOCATED IN BASE OF REFRIGERATOR CABT.)

(FROM WIRE ASM-CHASSIS)



INVERTER

INVERTER REMOTE PANEL

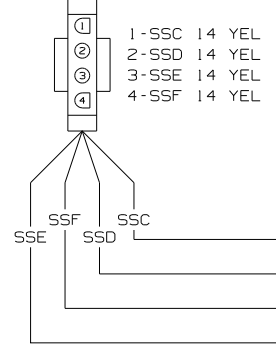
CONNECTS TO LP DETECTOR

- JA 12 YEL
- JF 14 YEL
- JD 14 YEL
- NM 14 YEL
- JC 14 YEL
- WC 14 YEL
- JE 14 YEL
- JB 14 YEL
- HHA 14 YEL
- WB 16 YEL
- ET 16 YEL
- EEC 12 YEL
- JG 14 YEL

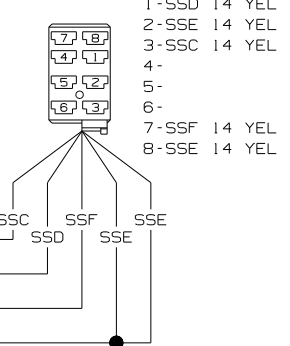
WIRING DIAGRAM-COACH (WIRE ASM 159304 REV-J)

FIRST USED	07 P34H		
TITLE	DO NOT SCALE DRAWING		
TITLE	WIRING DIAGRAM-BODY, 12V		
SHEET	2	PART NO	159306
REV			

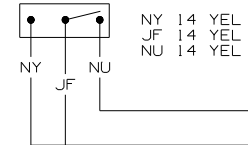
CONNECTS TO WIRE ASM-CHASSIS (SHT 1, A-18) (LOCATED IN BASE OF REFRIGERATOR CABT)



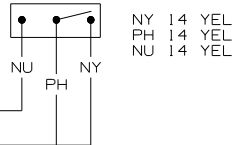
CONNECTS TO AUTO LEVEL SWITCH



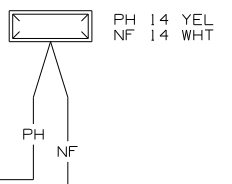
FRONT COURTESY LAMP SWITCH



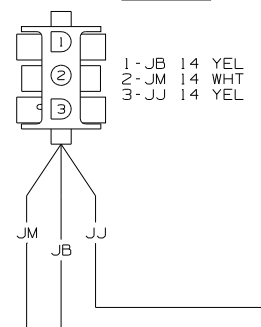
REAR COURTESY LAMP SWITCH



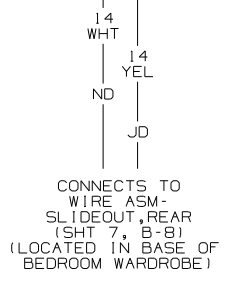
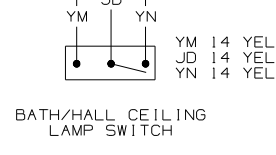
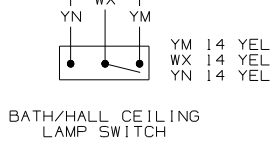
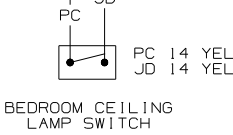
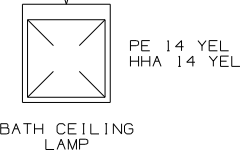
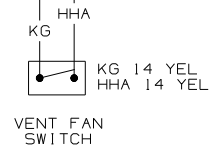
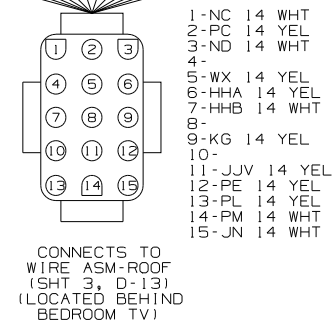
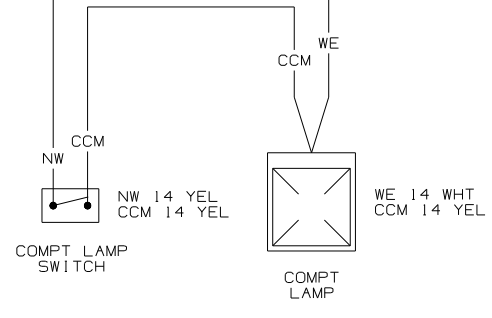
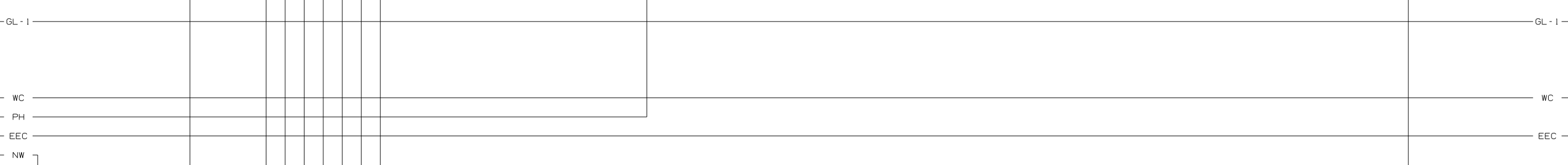
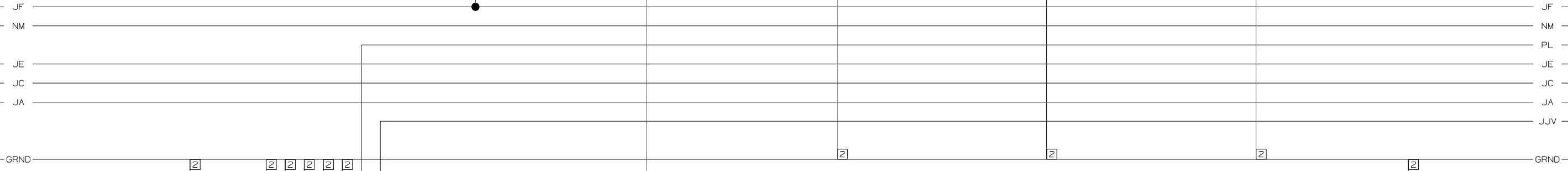
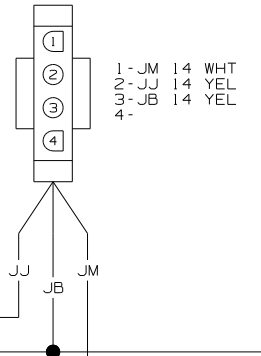
REAR COURTESY LAMP

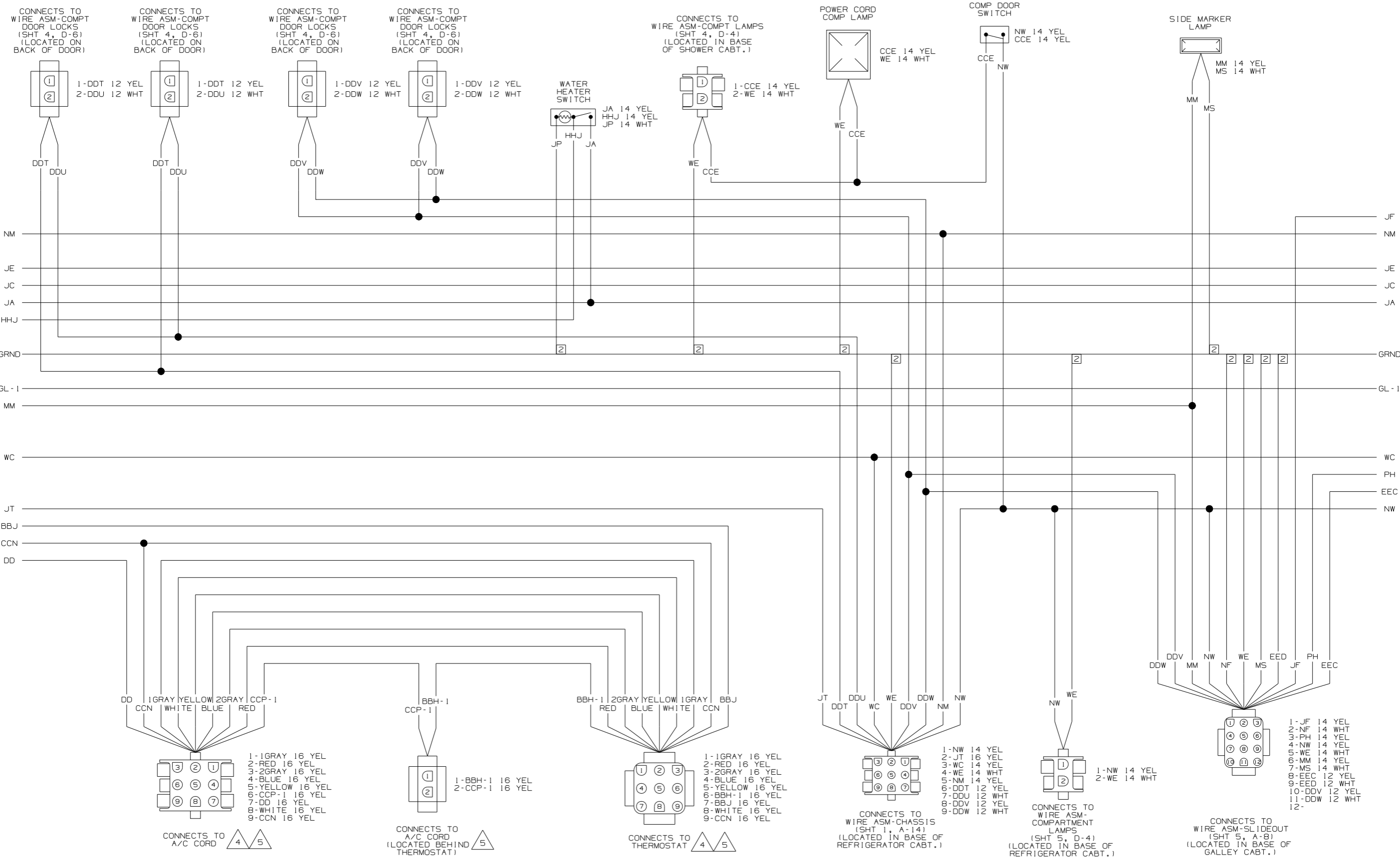


CONNECTS TO THERMOSTAT



CONNECTS TO FURNACE





CONNECTS TO WIRE ASM-COMPT DOOR LOCKS (SHT 4, D-6) (LOCATED ON BACK OF DOOR)

CONNECTS TO WIRE ASM-COMPT DOOR LOCKS (SHT 4, D-6) (LOCATED ON BACK OF DOOR)

CONNECTS TO WIRE ASM-COMPT DOOR LOCKS (SHT 4, D-6) (LOCATED ON BACK OF DOOR)

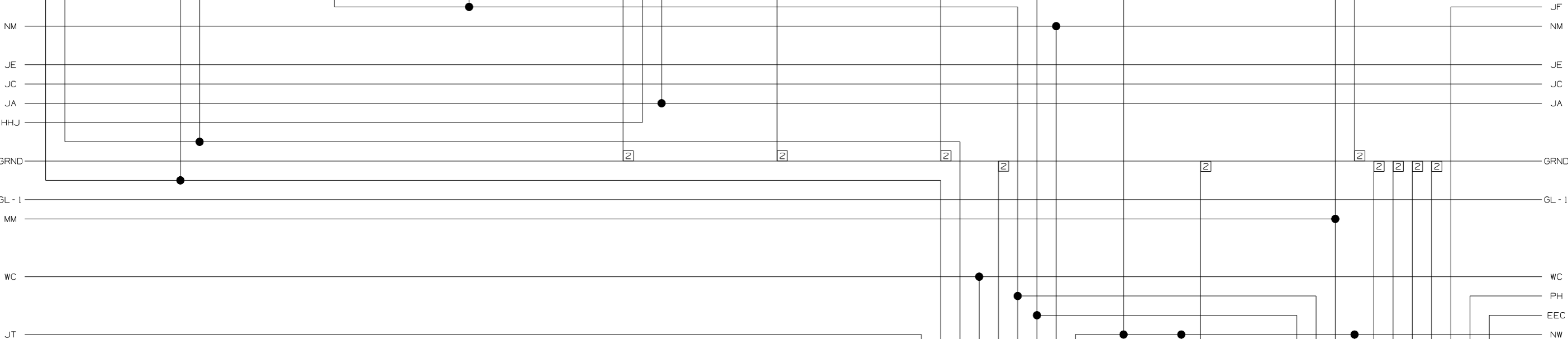
CONNECTS TO WIRE ASM-COMPT DOOR LOCKS (SHT 4, D-6) (LOCATED ON BACK OF DOOR)

CONNECTS TO WIRE ASM-COMPT LAMPS (SHT 4, D-4) (LOCATED IN BASE OF SHOWER CABT.)

POWER CORD COMP LAMP

COMP DOOR SWITCH

SIDE MARKER LAMP



- DD
CCN
1-GRAY 16 YEL
2-RED 16 YEL
3-2GRAY 16 YEL
4-BLUE 16 YEL
5-YELLOW 16 YEL
6-CCP-1 16 YEL
7-DD 16 YEL
8-WHITE 16 YEL
9-CCN 16 YEL

CONNECTS TO A/C CORD

- BBH-1
2-CCP-1

CONNECTS TO A/C CORD (LOCATED BEHIND THERMOSTAT)

- BBH-1
2GRAY YELLOW 1GRAY BBJ
RED BLUE WHITE CCN

CONNECTS TO THERMOSTAT

- 1-GRAY 16 YEL
2-RED 16 YEL
3-2GRAY 16 YEL
4-BLUE 16 YEL
5-YELLOW 16 YEL
6-BBH-1 16 YEL
7-BBJ 16 YEL
8-WHITE 16 YEL
9-CCN 16 YEL

CONNECTS TO WIRE ASM-CHASSIS (SHT 1, A-14) (LOCATED IN BASE OF REFRIGERATOR CABT.)

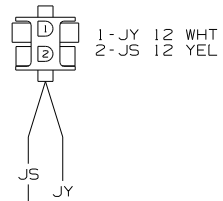
- 1-NW 14 YEL
2-JT 16 YEL
3-WC 14 YEL
4-WE 14 WHT
5-NM 14 YEL
6-DDT 12 YEL
7-DDU 12 WHT
8-DDV 12 YEL
9-DDW 12 WHT

CONNECTS TO WIRE ASM-COMPARTMENT LAMPS (SHT 5, D-4) (LOCATED IN BASE OF REFRIGERATOR CABT.)

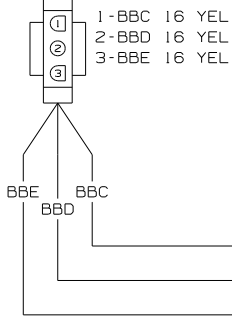
- 1-JF 14 YEL
2-NF 14 WHT
3-PH 14 YEL
4-NW 14 YEL
5-WE 14 WHT
6-MM 14 YEL
7-MS 14 WHT
8-EEC 12 YEL
9-EED 12 WHT
10-DDV 12 YEL
11-DDW 12 WHT
12-

CONNECTS TO WIRE ASM-SLIDEOUT (SHT 5, A-8) (LOCATED IN BASE OF GALLEY CABT.)

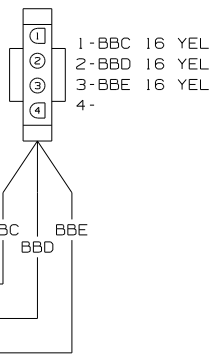
WATER PUMP



CONNECTS TO LOAD SHEDDER MONITOR PANEL (LOCATED IN 110V BREAKER PANEL BOX) 4

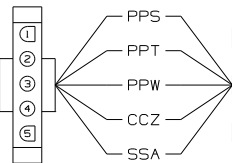


CONNECTS TO LOAD SHEDDER CONTROL BOARD (LOCATED IN 110V BREAKER PANEL BOX) 4



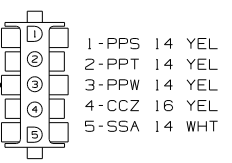
CONNECTS TO WIRE ASM-CHASSIS (SHT 1, A-17) (LOCATED IN BASE OF REFRIG CABT)

- 1-PPS 14 YEL
- 2-PPT 14 YEL
- 3-PPW 14 YEL
- 4-CCZ 16 YEL
- 5-SSA 14 WHT



CONNECTS TO WIRE ASM-SLIDEOUT (SHT 5, C-8) (LOCATED IN BASE OF GALLEY CABT)

- 1-PPS 14 YEL
- 2-PPT 14 YEL
- 3-PPW 14 YEL
- 4-CCZ 16 YEL
- 5-SSA 14 WHT



CONNECTS TO REAR SPLITTER (LOCATED BEHIND BEDROOM TV)



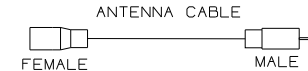
EXTERIOR RCP (LOCATED IN EXT ENT CTR)

CONNECTS TO WIRE ASM-ROOF (SHT 3, D-1) (LOCATED BEHIND BDRM TV)

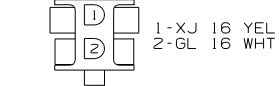
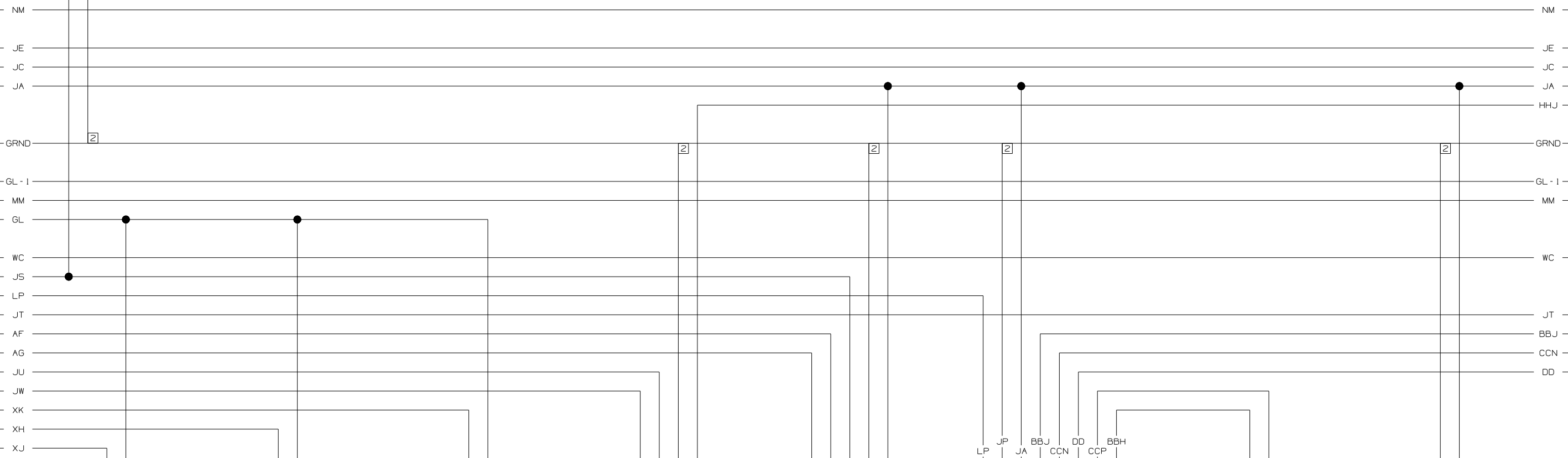


CABLE INPUT (LOCATED IN POWERCORD COMPT)
SATELLITE INPUT

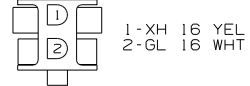
CONNECTS TO ANTENNA



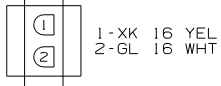
ANTENNA CABLE LOCATED AT EXT ENT CTR



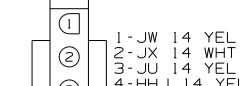
CONNECTS TO WIRE ASM-MAIN HOLDING TANK (LOCATED BEHIND DRAINAGE PANEL) 7



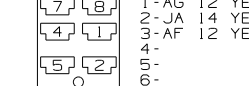
CONNECTS TO WIRE ASM-WATER TANK (LOCATED NEAR WATER HEATER) 7



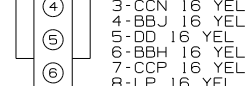
CONNECTS TO WIRE ASM-AUX HOLDING TANK (LOCATED BEHIND DRAINAGE PANEL) 7



CONNECTS TO WATER HEATER 4



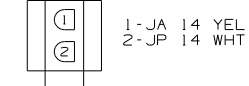
CONNECTS TO WATER PUMP SWITCH



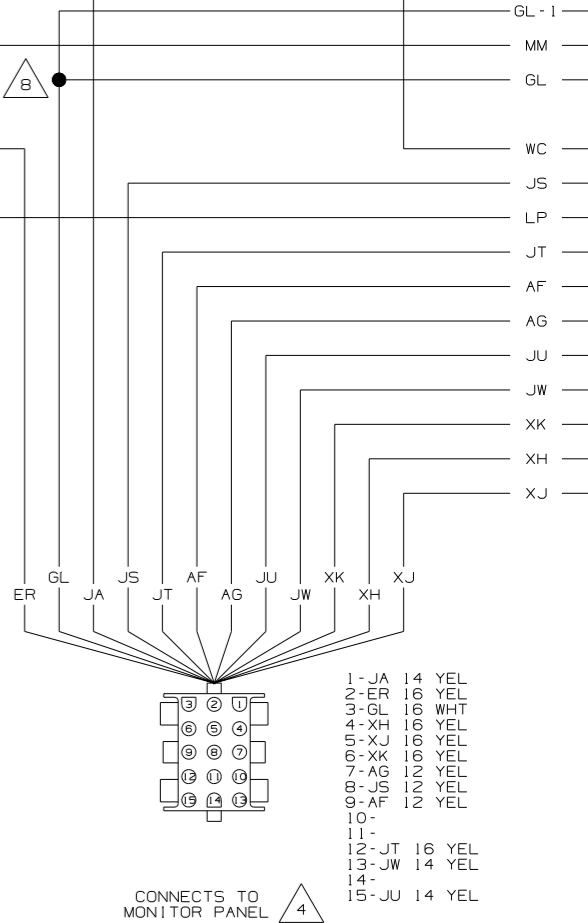
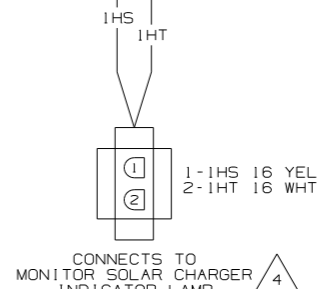
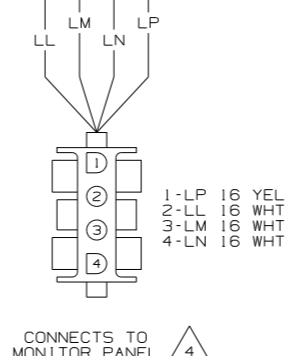
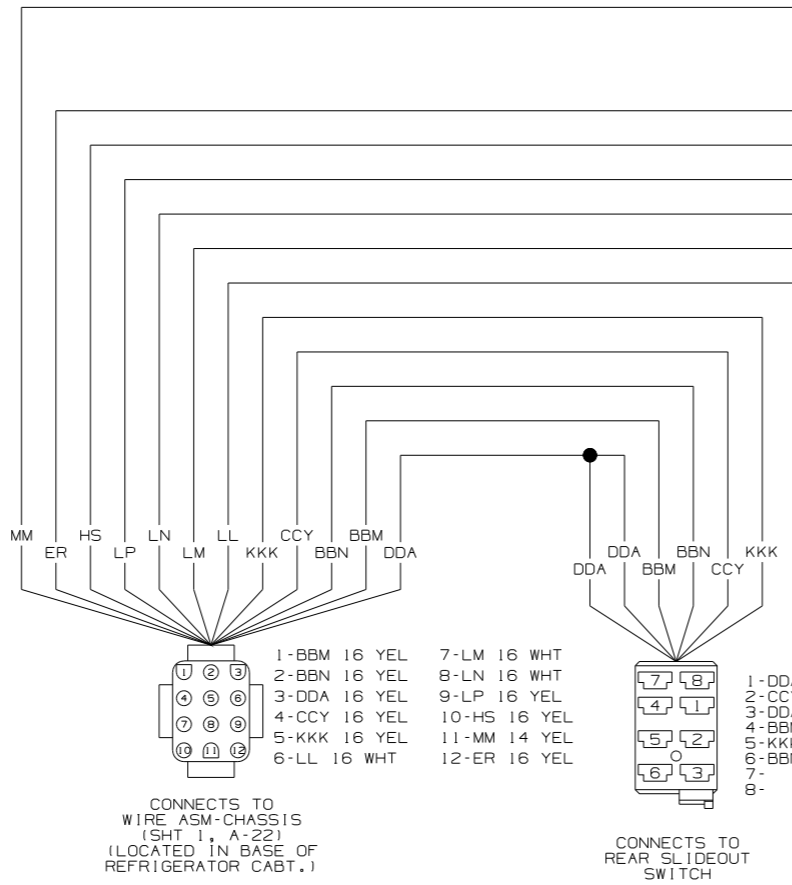
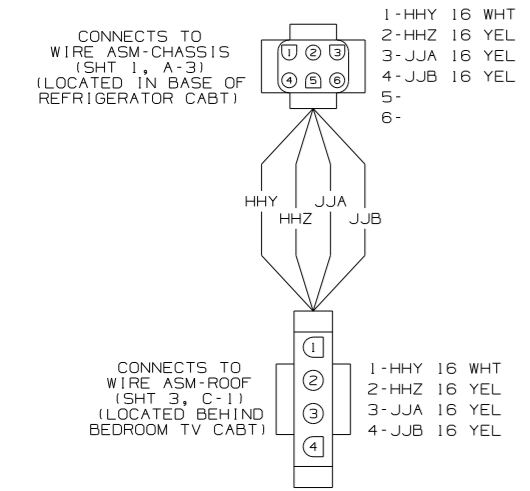
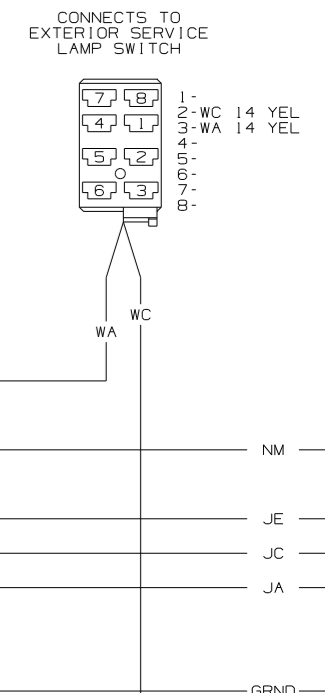
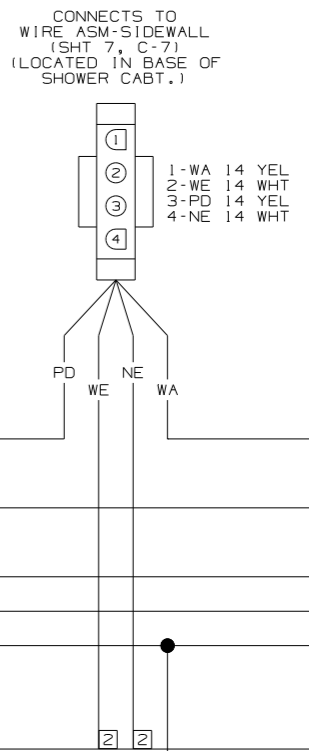
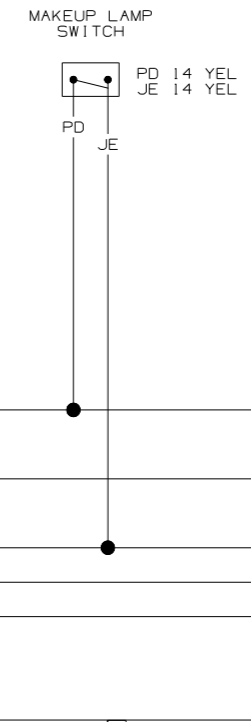
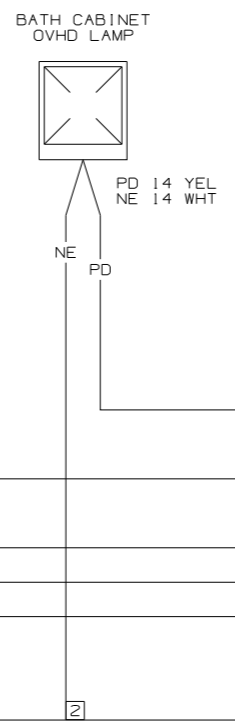
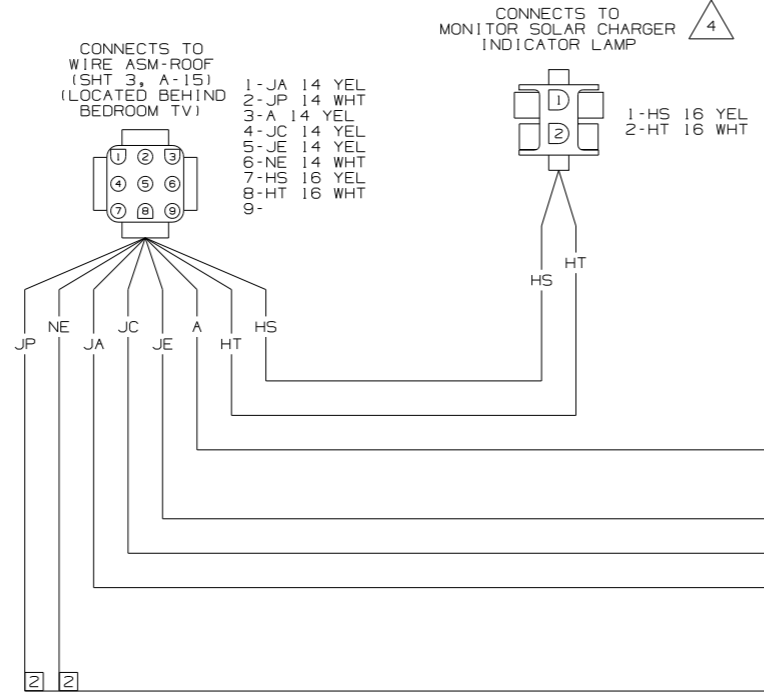
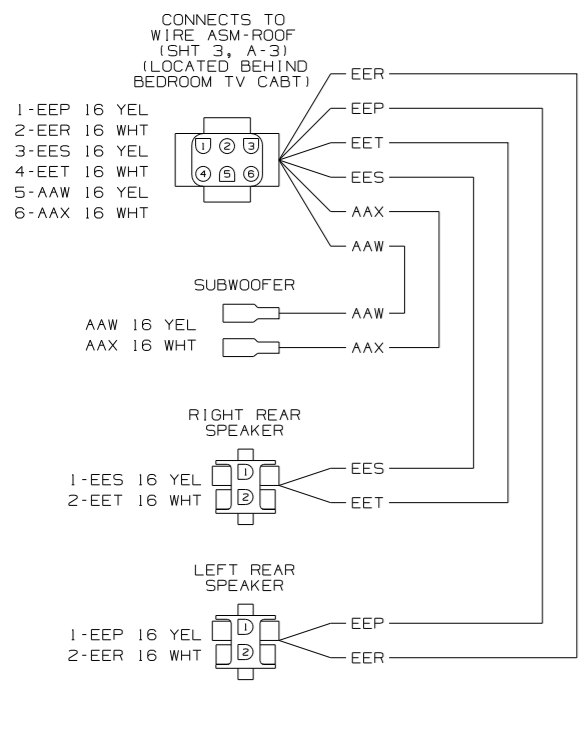
CONNECTS TO LOAD SHEDDER CONTROL BOARD (LOCATED IN 110V BREAKER PANEL BOX) 4



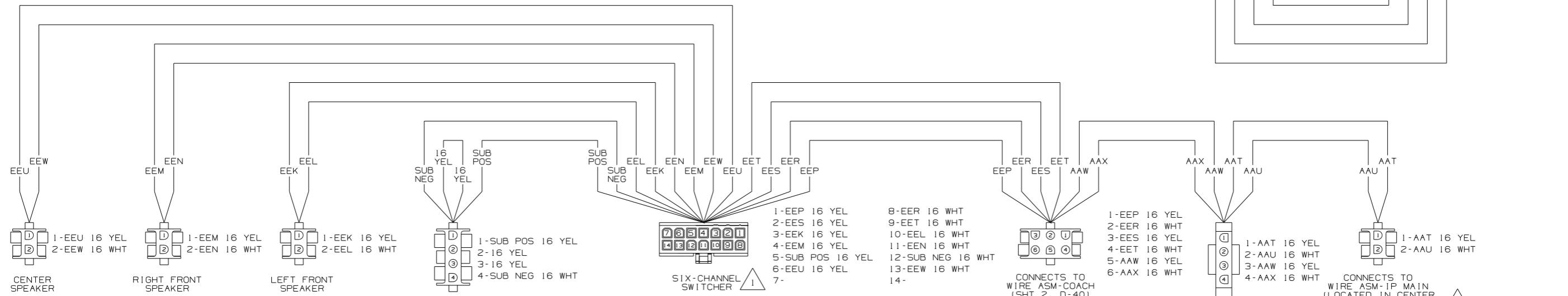
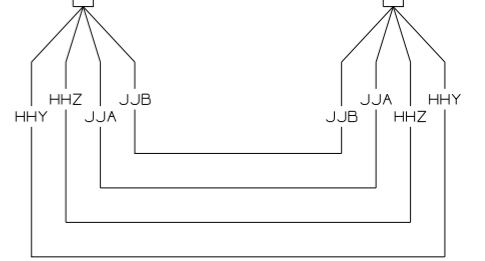
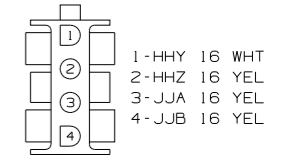
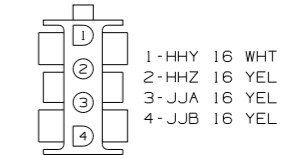
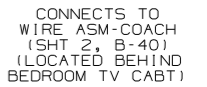
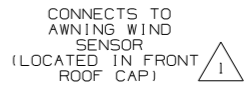
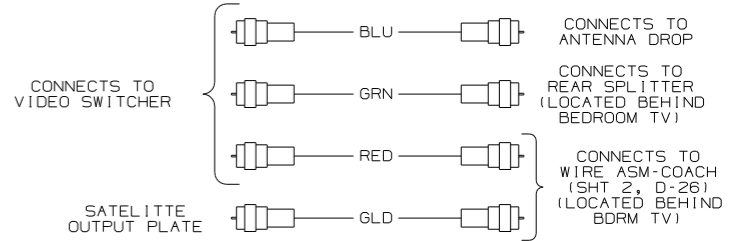
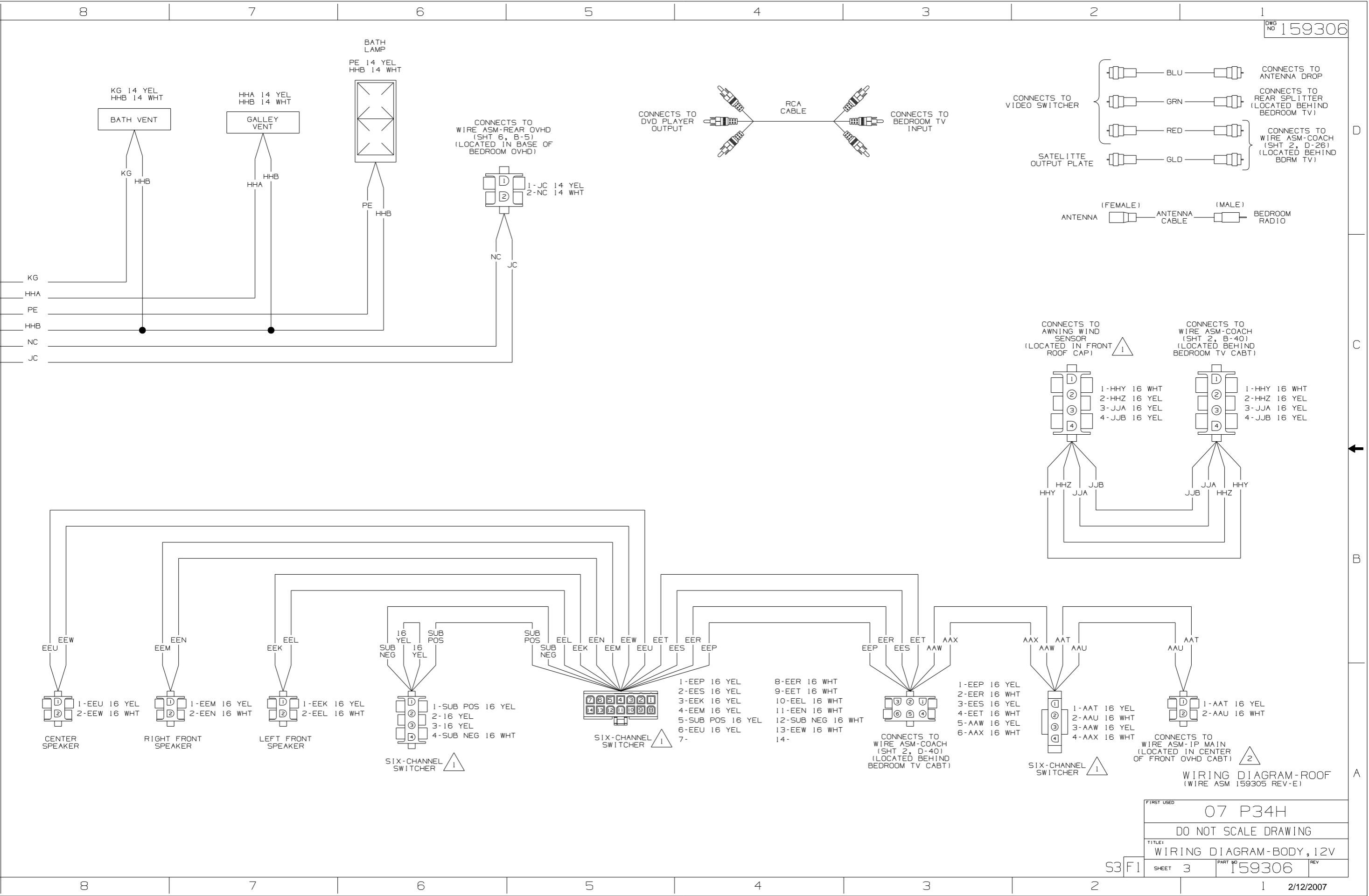
CONNECTS TO A/C CORD (LOCATED BEHIND THERMOSTAT) 5



CONNECTS TO WIRE ASM-ENT CTR (SHT 8, C-1) (LOCATED BEHIND EXT ENT CTR)



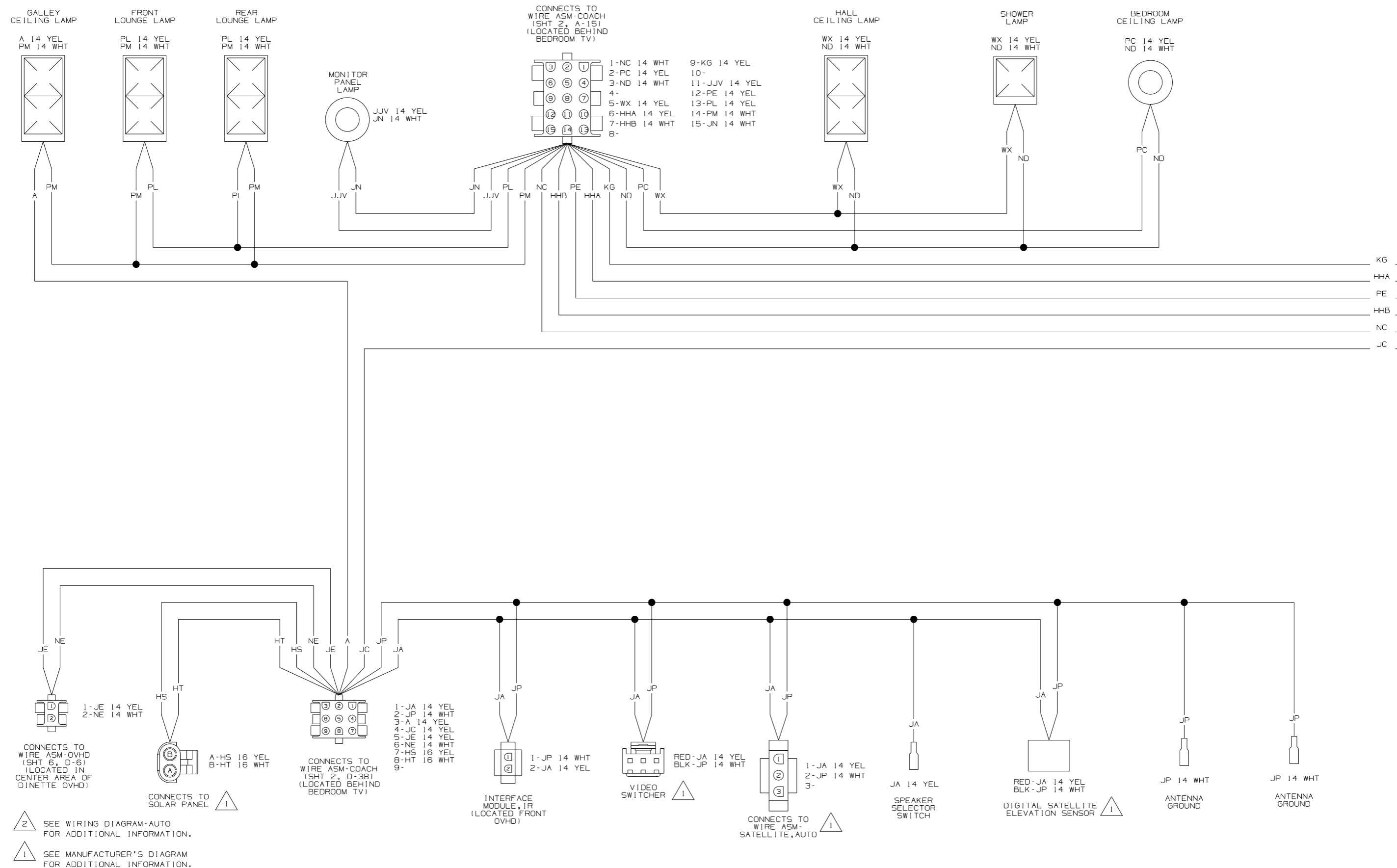
- 8 GL AND GL-1 ARE TO BE SPLICED TOGETHER 100MM AWAY FROM MONITOR PANEL HOUSING FOR ISOLATION PURPOSES.
 - 7 SEE WIRING DIAGRAM-HOLDING TANKS FOR ADDITIONAL INFORMATION.
 - 6 NOT USED WITH INVERTER/CHARGER
 - 5 SEE WIRING DIAGRAM-AC/HEATER/EMS FOR ADDITIONAL INFORMATION.
 - 4 SEE MANUFACTURER'S DIAGRAM FOR ADDITIONAL INFORMATION.
 - 3 GROUNDS ARE SHOWN AS A SINGLE LINE FOR EASE IN TRACING. EACH GROUND CIRCUIT IS SEPARATE IN THE HARNESS.
 - 2 NOT A SPLICE POINT. INDICATES ENTRY INTO WIRING HARNESS.
- NOTES:
1. SPLICES ARE THEORETICAL AND MAY DIFFER IN THE HARNESS.



WIRING DIAGRAM-ROOF (WIRE ASM 159305 REV-E)

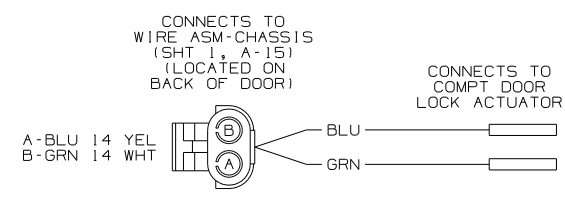
FIRST USED	07 P34H
TITLE	DO NOT SCALE DRAWING
TITLE	WIRING DIAGRAM-BODY, 12V
SHEET	3
PART NO	159306
REV	

S3F1

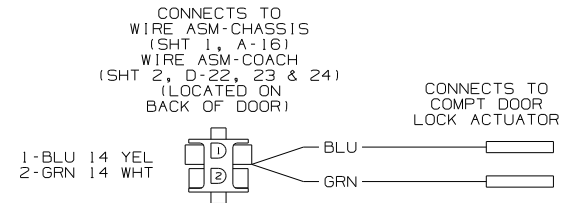


NOTES:

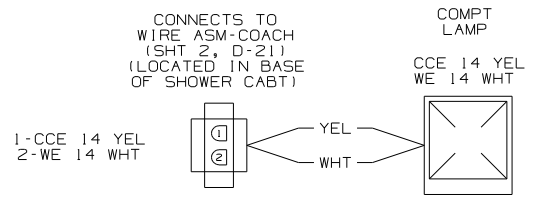
- 2 SEE WIRING DIAGRAM-AUTO FOR ADDITIONAL INFORMATION.
- 1 SEE MANUFACTURER'S DIAGRAM FOR ADDITIONAL INFORMATION.



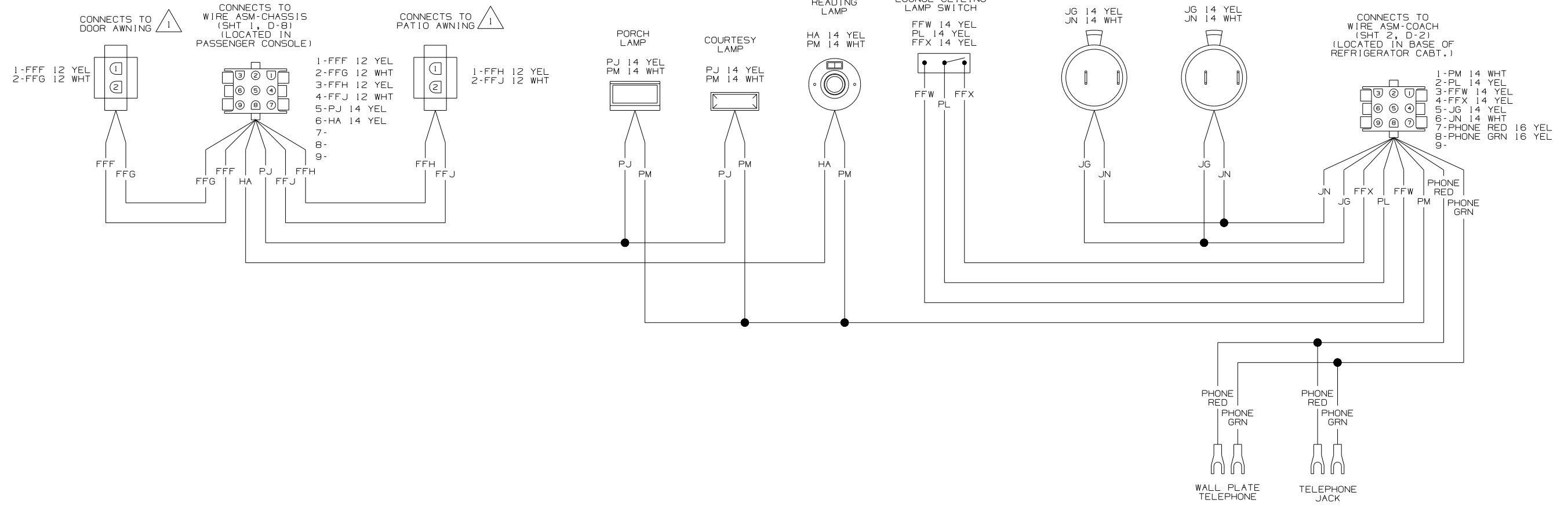
WIRING DIAGRAM-LOCK,COMPT DOORS (WIRE ASM 135834-03 REV-J)



WIRING DIAGRAM-LOCK,COMPT DOORS (WIRE ASM 135834-02 REV-J)



WIRING DIAGRAM-EXTENSION, 2 PIN (WIRE ASM 133572-01 REV-G)

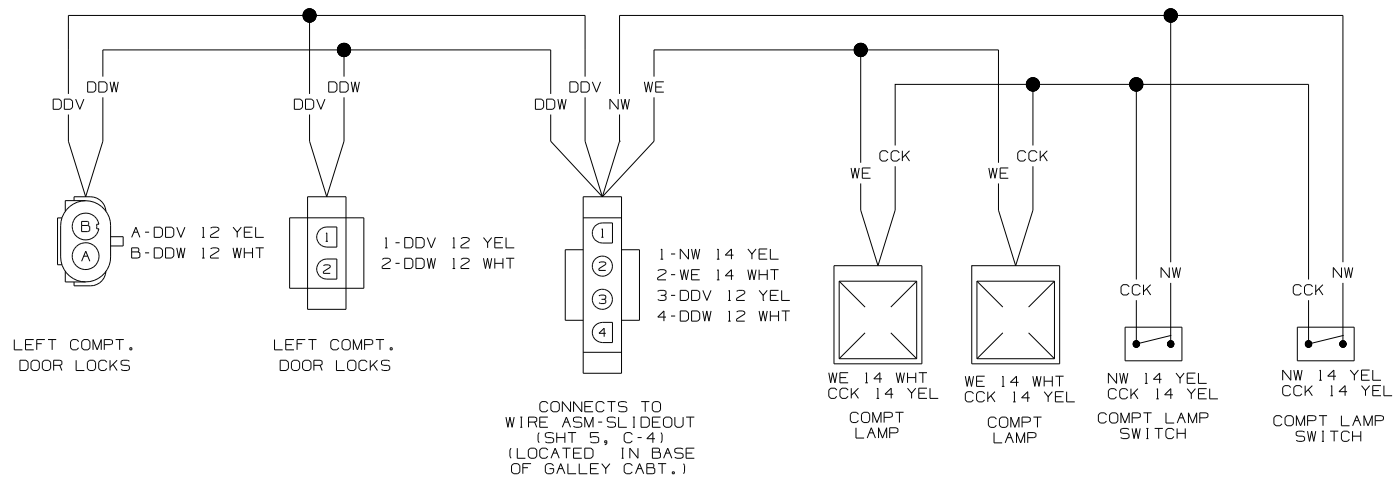


WIRING DIAGRAM-SIDEWALL,RIGHT (WIRE ASM 155299 REV-D)

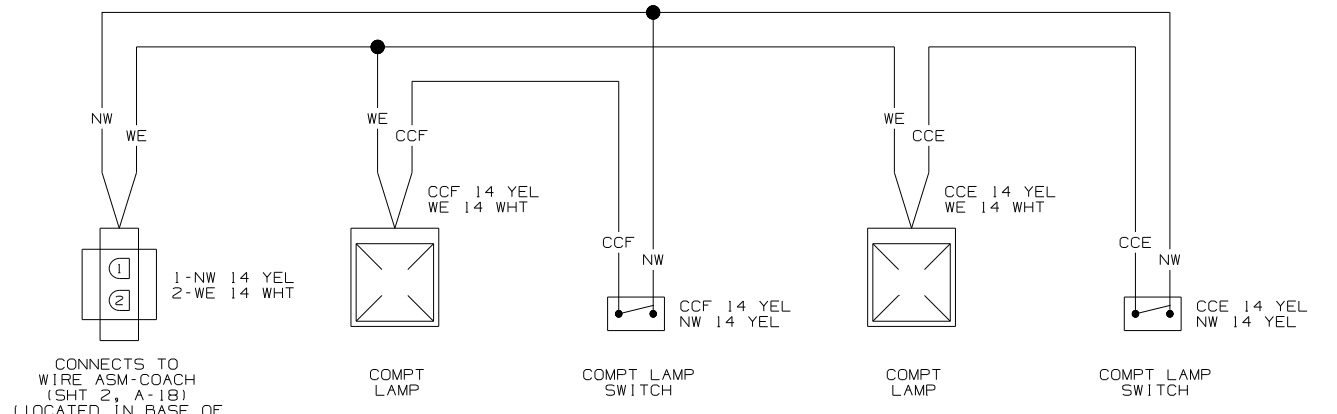
SEE MANUFACTURERS DIAGRAM FOR ADDITIONAL INFORMATION.

NOTES:

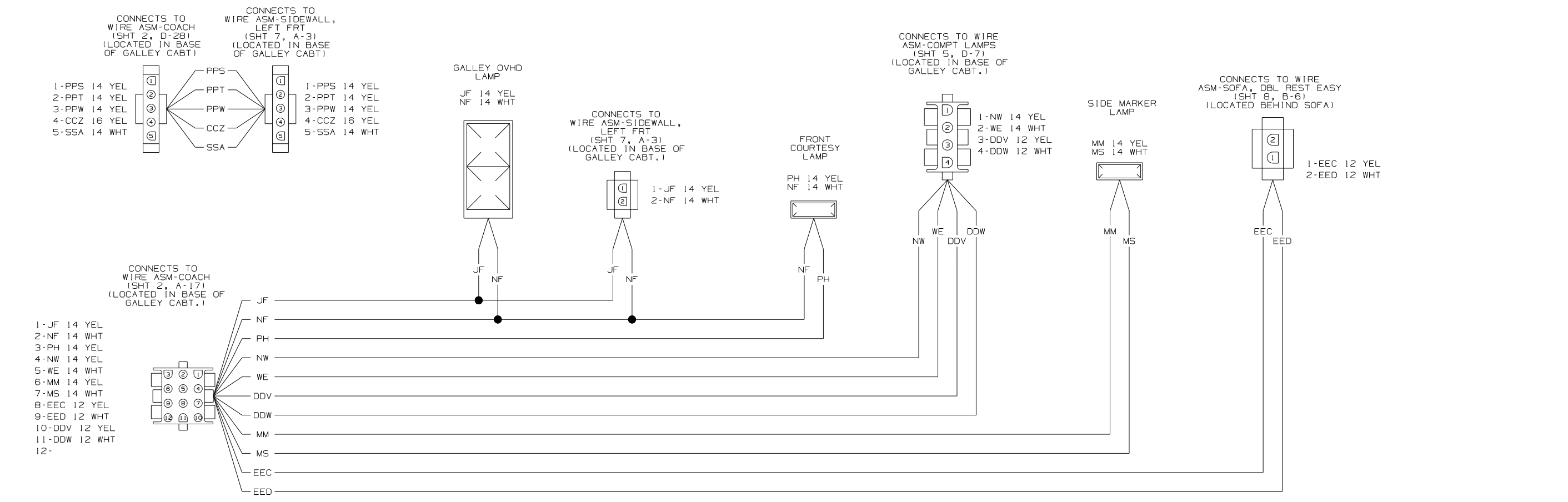
FIRST USED	07 P34H		
TITLE	DO NOT SCALE DRAWING		
TITLE	WIRING DIAGRAM-BODY, 12V		
SHEET	4	PART NO	159306
REV			



WIRING DIAGRAM-COMPT LAMPS (WIRE ASM 160250 REV-B)



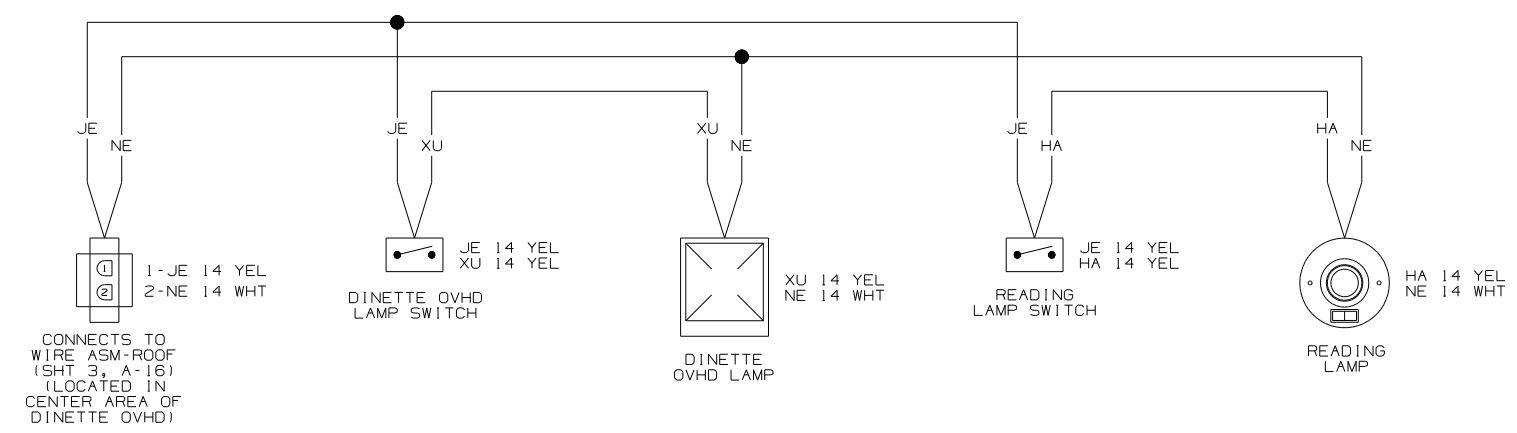
WIRING DIAGRAM-COMPT LAMPS (WIRE ASM 140498 REV-D)



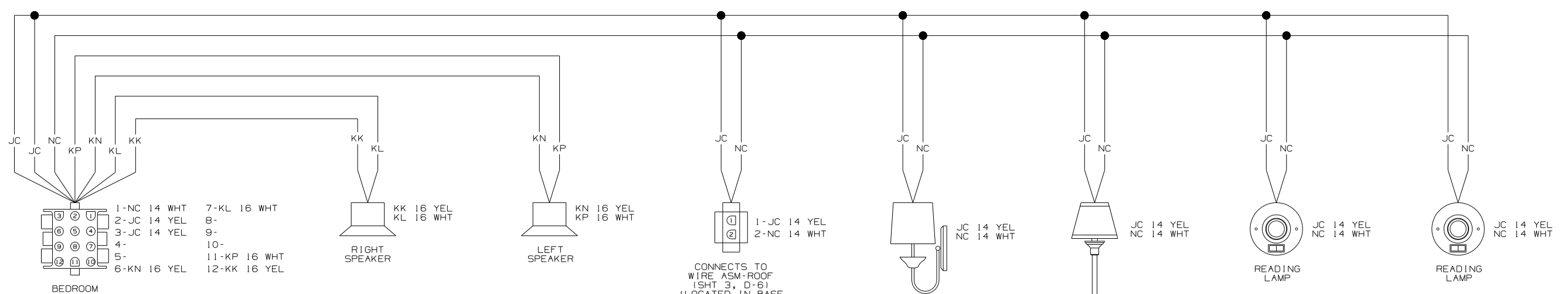
WIRING DIAGRAM-SLIDEOUT (WIRE ASM 159329 REV-B)

NOTES: SEE MANUFACTURER'S DIAGRAM FOR ADDITIONAL INFORMATION.

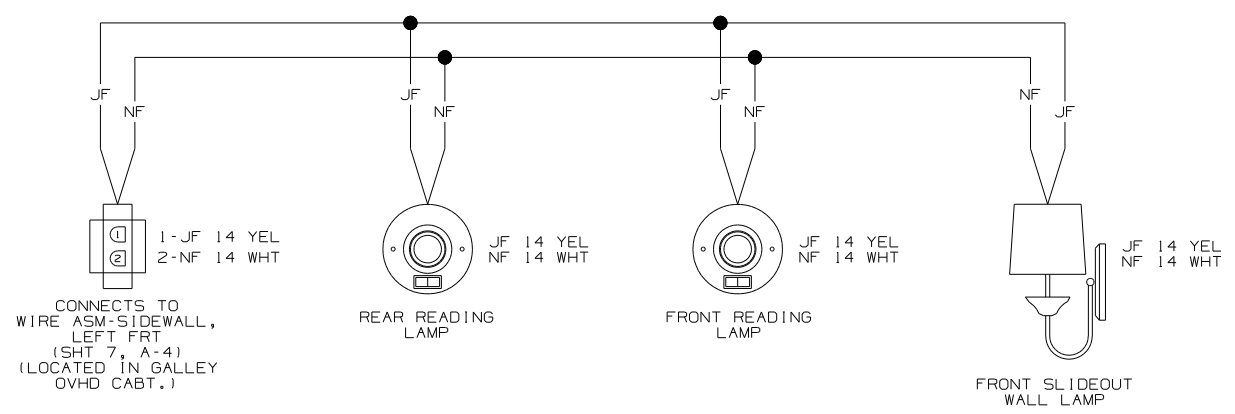
FIRST USED	07 P34H		
TITLE	DO NOT SCALE DRAWING		
TITLE	WIRING DIAGRAM-BODY, 12V		
SHEET	5	PART NO	159306
REV			



WIRING DIAGRAM-OVHD (WIRE ASM 159331 REV-A)

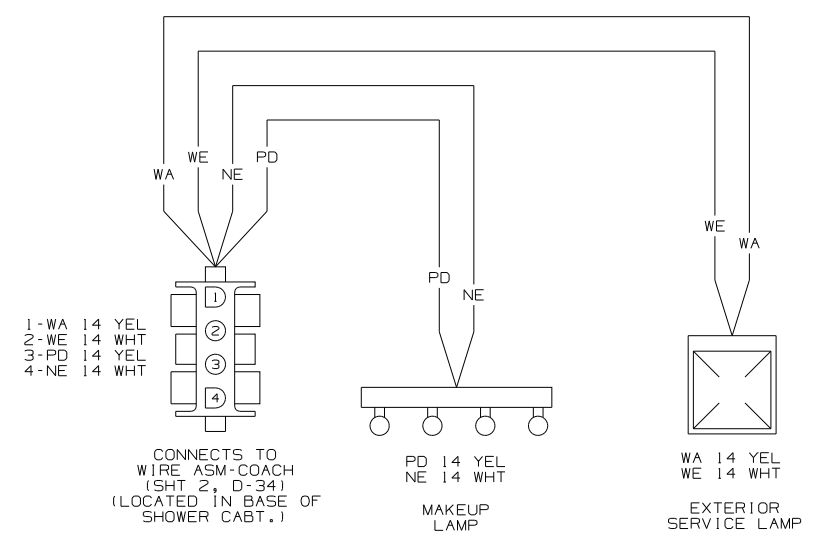


WIRING DIAGRAM-REAR OVHD (WIRE ASM 152871 REV-B)

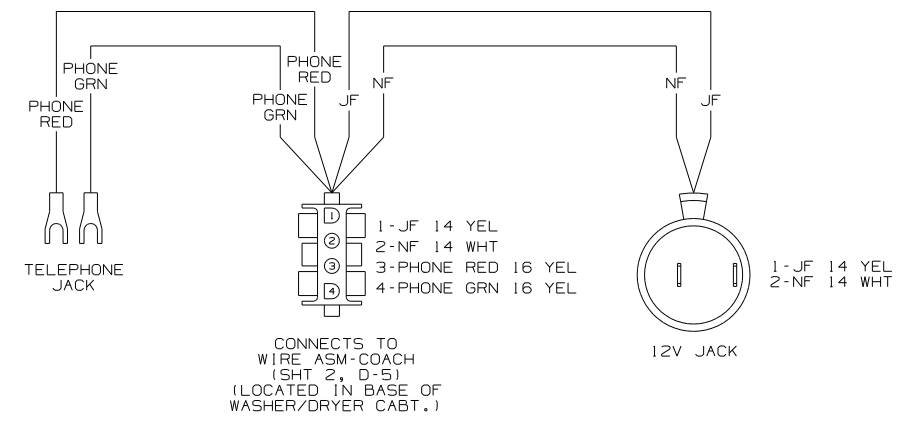


WIRING DIAGRAM-OVHD (WIRE ASM 155164 REV-A)

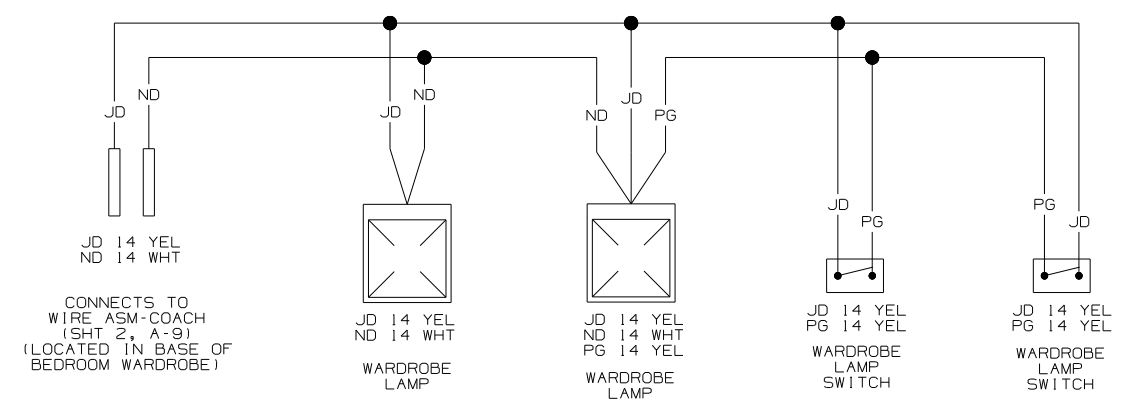
FIRST USED	07 P34H		
TITLE	DO NOT SCALE DRAWING		
TITLE	WIRING DIAGRAM-BODY, 12V		
SHEET	6	PART NO	159306
REV			



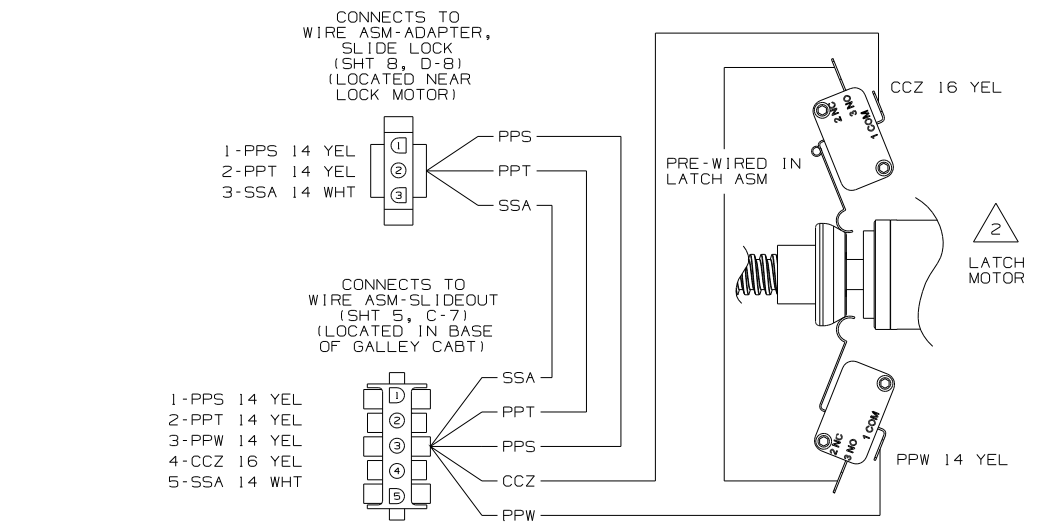
WIRING DIAGRAM-SIDEWALL
(WIRE ASM 140487 REV-A)



WIRING DIAGRAM-SIDEWALL
(WIRE ASM 155298 REV-A)



WIRING DIAGRAM-SLIDEOUT, REAR
(WIRE ASM 137456 REV-F)



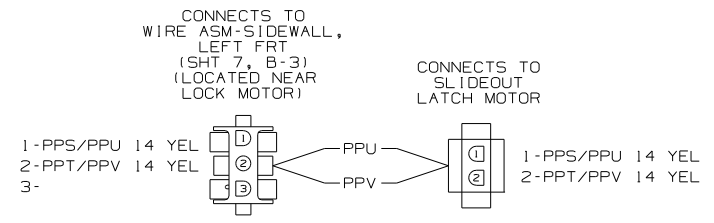
WIRING DIAGRAM-SIDEWALL, LEFT FRT
(WIRE ASM 159340 REV-A)

2. SEE MANUFACTURERS DIAGRAM FOR ADDITIONAL INFORMATION.

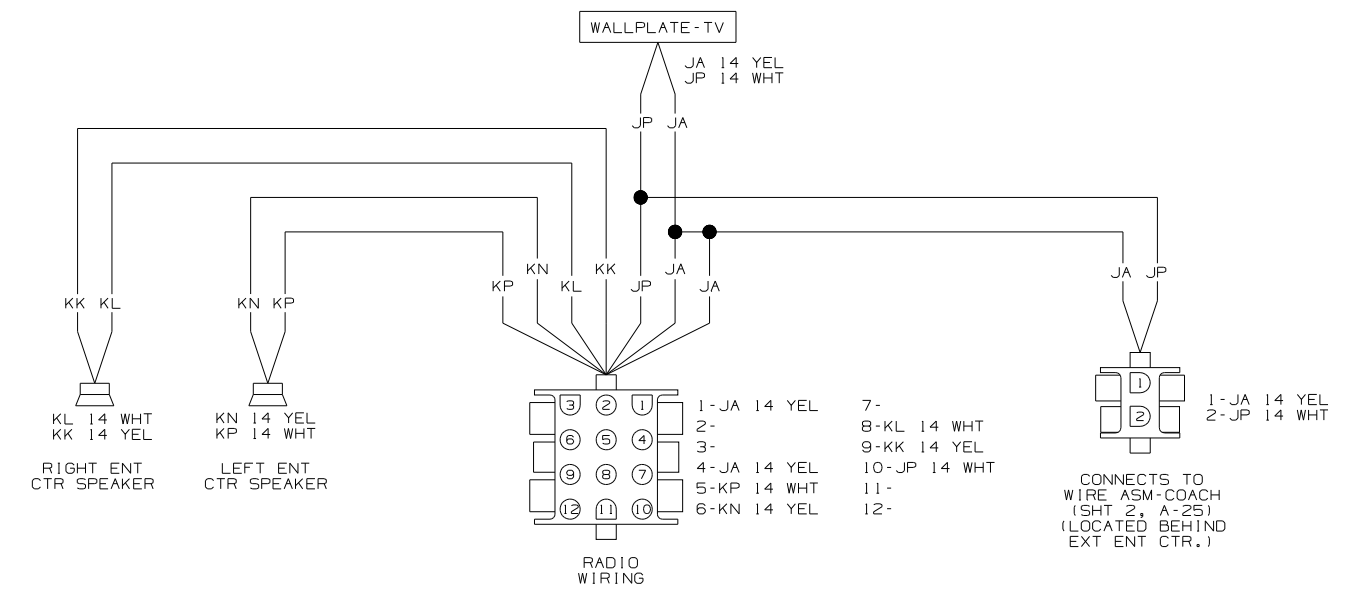
1. SPLICES ARE THEORETICAL AND MAY DIFFER IN THE HARNESS.

NOTES:

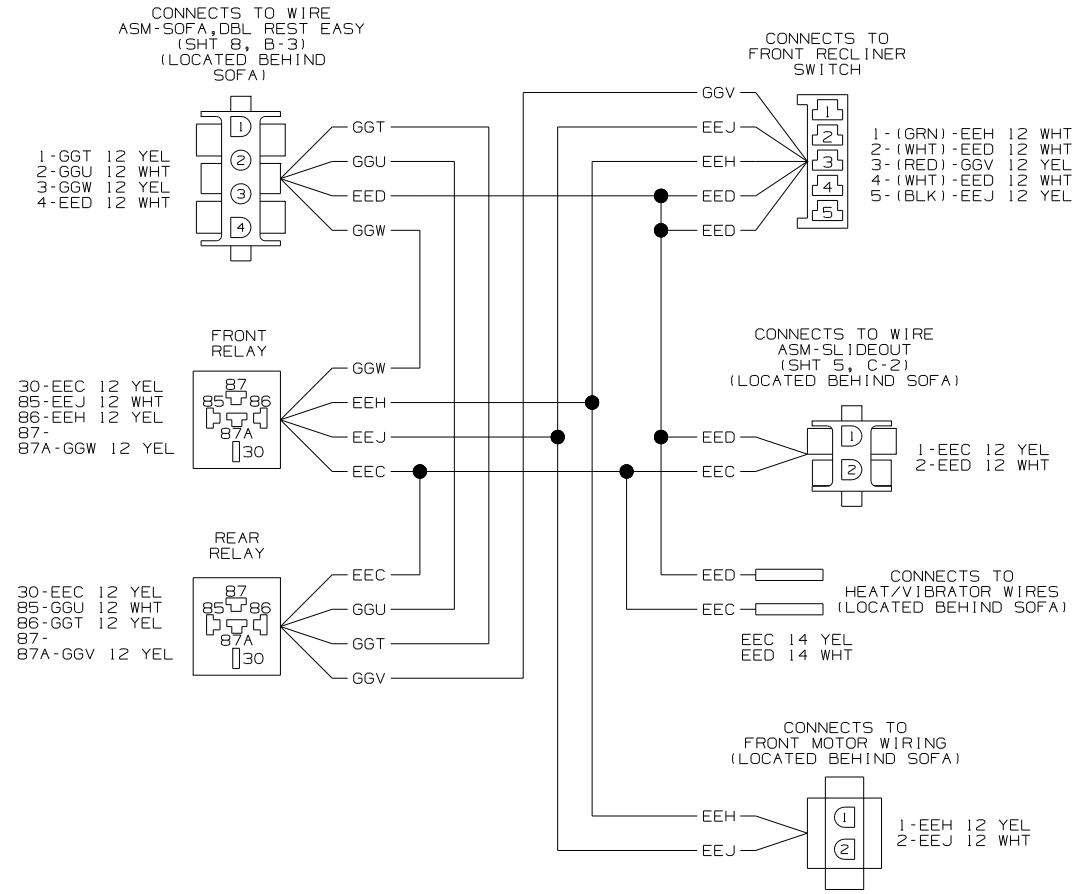
FIRST USED	07 P34H		
TITLE	DO NOT SCALE DRAWING		
TITLE	WIRING DIAGRAM-BODY, 12V		
SHEET	7	PART NO	159306
REV			



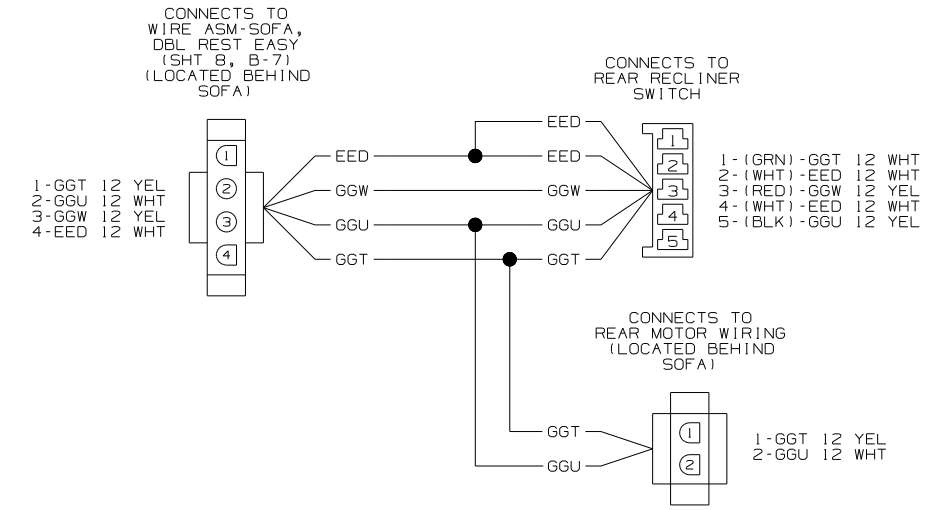
WIRING DIAGRAM ADAPTER, SLIDE LOCK
(WIRE ASM 158978-01 REV-B)



WIRING DIAGRAM-ENTERTAINMENT CENTER
(WIRE ASM 125853-04 REV-L)



WIRING DIAGRAM-SOFA, DBL REST EASY
(WIRE ASM 139583-01 REV-F)

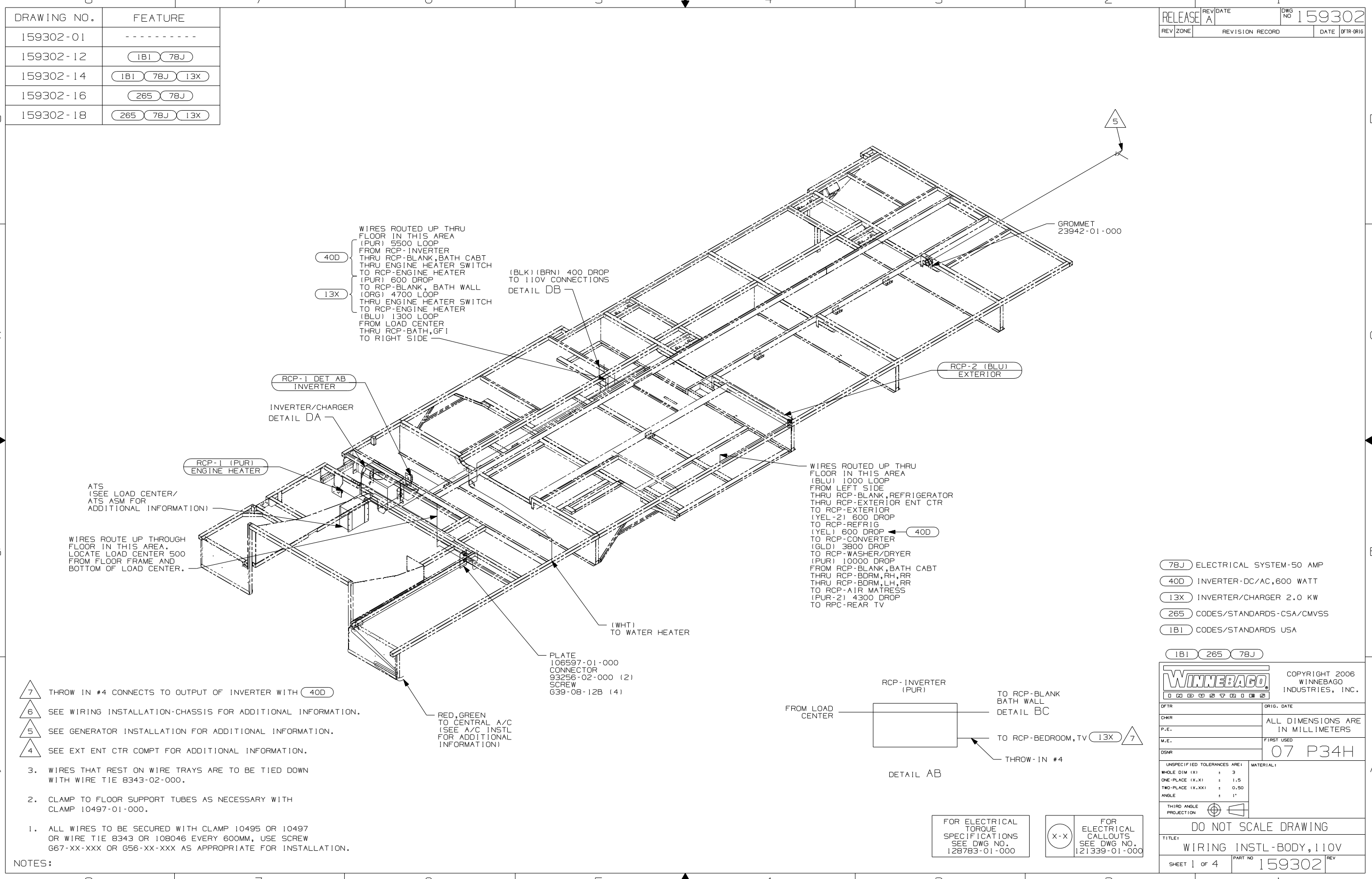


WIRING DIAGRAM-SOFA, DBL REST EASY
(WIRE ASM 139583-02 REV-F)

FIRST USED	07 P34H		
TITLE	DO NOT SCALE DRAWING		
	WIRING DIAGRAM-BODY, 12V		
SHEET 8	PART NO	159306	REV

DRAWING NO.	FEATURE
159302-01	-----
159302-12	(1B1) (78J)
159302-14	(1B1) (78J) (13X)
159302-16	(265) (78J)
159302-18	(265) (78J) (13X)

RELEASE	REV DATE	DWG NO
A		159302
REV ZONE	REVISION RECORD	DATE DFR-016



WIRES ROUTED UP THRU FLOOR IN THIS AREA (PUR) 5500 LOOP FROM RCP-INVERTER THRU RCP-BLANK, BATH CABT THRU ENGINE HEATER SWITCH TO RCP-ENGINE HEATER (PUR) 600 DROP TO RCP-BLANK, BATH WALL (ORG) 4700 LOOP THRU ENGINE HEATER SWITCH TO RCP-ENGINE HEATER (BLU) 1300 LOOP FROM LOAD CENTER THRU RCP-BATH, GFI TO RIGHT SIDE

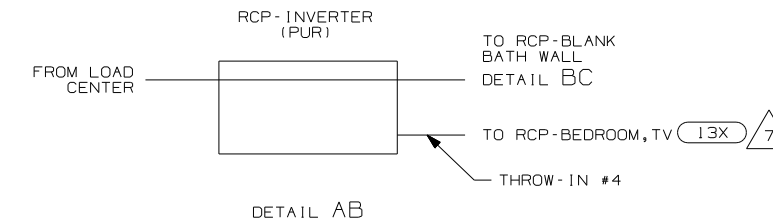
(40D)

(13X)

(BLK) (BRN) 400 DROP TO 110V CONNECTIONS
DETAIL DB

WIRES ROUTED UP THRU FLOOR IN THIS AREA (BLU) 1000 LOOP FROM LEFT SIDE THRU RCP-BLANK, REFRIGERATOR THRU RCP-EXTERIOR ENT CTR TO RCP-EXTERIOR (YEL-2) 600 DROP TO RCP-REFRIG (YEL) 600 DROP TO RCP-CONVERTER (GLD) 3800 DROP TO RCP-WASHER/DRYER (PUR) 10000 DROP FROM RCP-BLANK, BATH CABT THRU RCP-BDRM, RH, RR THRU RCP-BDRM, LH, RR TO RCP-AIR MATTRESS (PUR-2) 4300 DROP TO RCP-REAR TV

(40D)



- (78J) ELECTRICAL SYSTEM-50 AMP
- (40D) INVERTER-DC/AC, 600 WATT
- (13X) INVERTER/CHARGER 2.0 KW
- (265) CODES/STANDARDS-CSA/CMVSS
- (1B1) CODES/STANDARDS USA

- △ 7 THROW IN #4 CONNECTS TO OUTPUT OF INVERTER WITH (40D)
- △ 6 SEE WIRING INSTALLATION-CHASSIS FOR ADDITIONAL INFORMATION.
- △ 5 SEE GENERATOR INSTALLATION FOR ADDITIONAL INFORMATION.
- △ 4 SEE EXT ENT CTR COMPT FOR ADDITIONAL INFORMATION.

3. WIRES THAT REST ON WIRE TRAYS ARE TO BE TIED DOWN WITH WIRE TIE 8343-02-000.
2. CLAMP TO FLOOR SUPPORT TUBES AS NECESSARY WITH CLAMP 10497-01-000.
1. ALL WIRES TO BE SECURED WITH CLAMP 10495 OR 10497 OR WIRE TIE 8343 OR 108046 EVERY 600MM, USE SCREW 667-XX-XXX OR 656-XX-XXX AS APPROPRIATE FOR INSTALLATION.

NOTES:

FOR ELECTRICAL TORQUE SPECIFICATIONS SEE DWG NO. 128783-01-000

FOR ELECTRICAL CALLOUTS SEE DWG NO. 121339-01-000

(1B1) (265) (78J)

WINNEBAGO COPYRIGHT 2006 WINNEBAGO INDUSTRIES, INC.

DFTR	ORIG. DATE
CHKR	ALL DIMENSIONS ARE IN MILLIMETERS
P.E.	FIRST USED
M.E.	07 P34H
DSNR	

UNSPECIFIED TOLERANCES ARE: MATERIAL:

HOLE DIM (X) : 3
ONE-PLACE (X, X) : 1.5
TWO-PLACE (X, XX) : 0.50
ANGLE : 1°

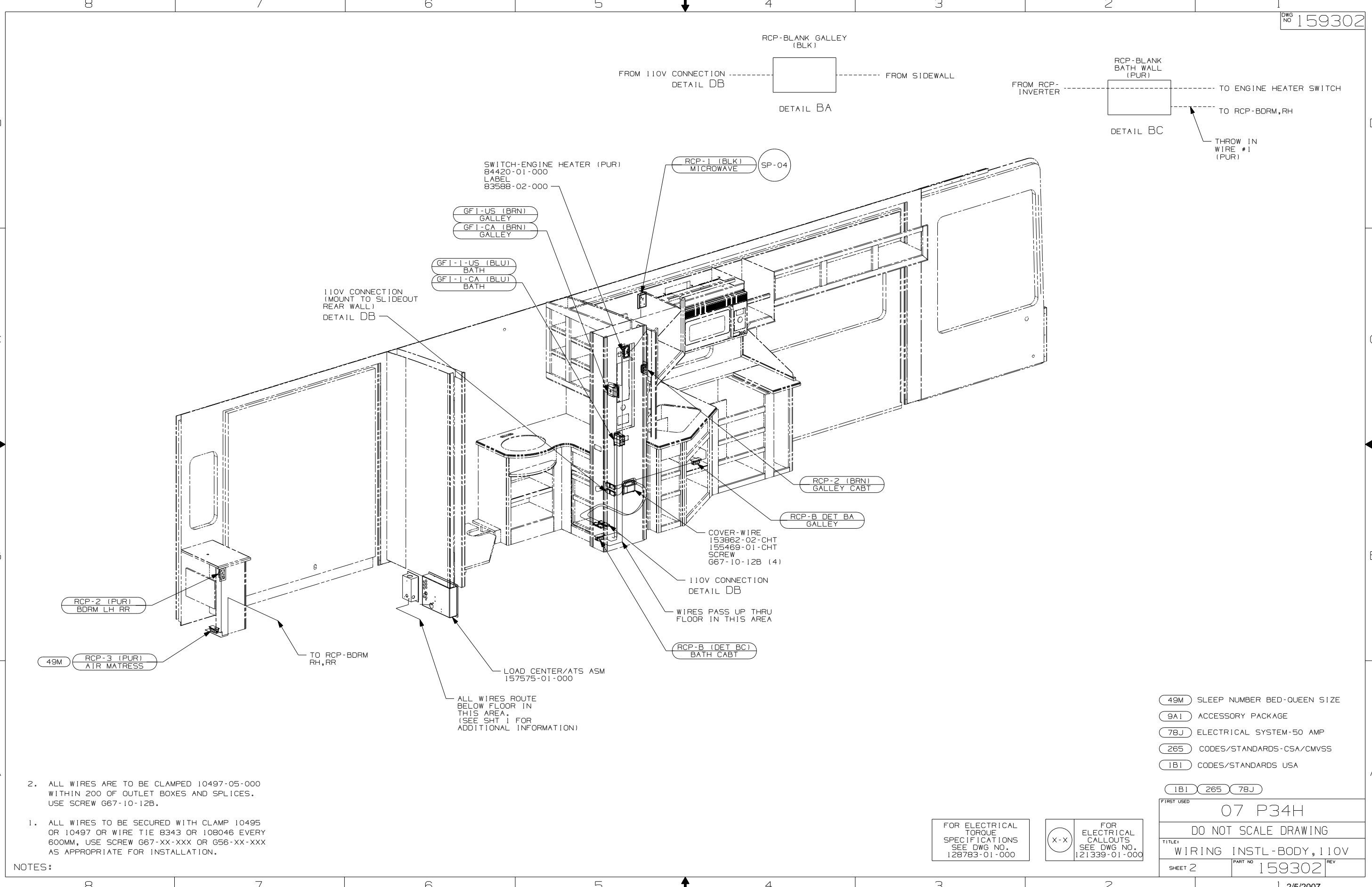
THIRD ANGLE PROJECTION

DO NOT SCALE DRAWING

TITLE: WIRING INSTL-BODY, 110V

SHEET 1 of 4 PART NO 159302 REV

REF: 1 2/5/2007



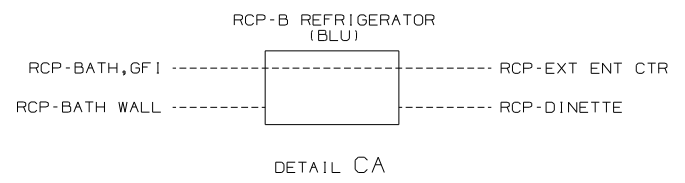
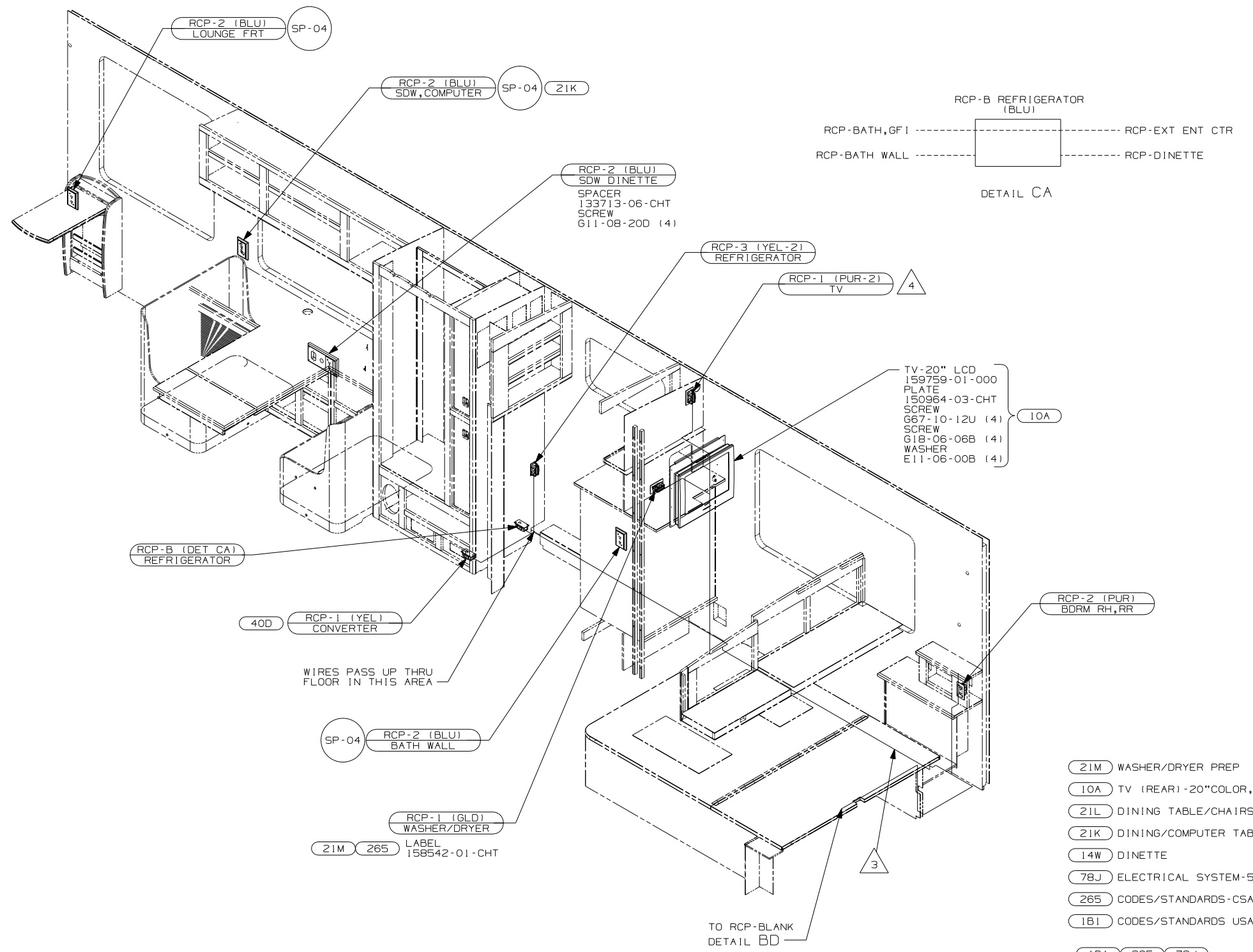
- NOTES:
- ALL WIRES TO BE CLAMPED 10497-05-000 WITHIN 200 OF OUTLET BOXES AND SPLICES. USE SCREW G67-10-12B.
 - ALL WIRES TO BE SECURED WITH CLAMP 10495 OR 10497 OR WIRE TIE 8343 OR 108046 EVERY 600MM, USE SCREW G67-XX-XXX OR G56-XX-XXX AS APPROPRIATE FOR INSTALLATION.

- (49M) SLEEP NUMBER BED-QUEEN SIZE
- (9A1) ACCESSORY PACKAGE
- (78J) ELECTRICAL SYSTEM-50 AMP
- (265) CODES/STANDARDS-CSA/CMVSS
- (1B1) CODES/STANDARDS USA

FIRST USED	
07 P34H	
DO NOT SCALE DRAWING	
TITLE: WIRING INSTL-BODY, 110V	
SHEET 2	PART NO 159302

FOR ELECTRICAL TORQUE SPECIFICATIONS SEE DWG NO. 128783-01-000

FOR ELECTRICAL CALLOUTS SEE DWG NO. 121339-01-000



- TV-20" LCD 159759-01-000
- PLATE 150964-03-CHT
- SCREW G67-10-12U (4)
- SCREW G18-06-06B (4)
- WASHER E11-06-00B (4)

- (21M) WASHER/DRYER PREP
- (10A) TV (REAR) -20"COLOR, STEREO
- (21L) DINING TABLE/CHAIRS
- (21K) DINING/COMPUTER TABLE/CHAIRS
- (14W) DINETTE
- (78J) ELECTRICAL SYSTEM-50 AMP
- (265) CODES/STANDARDS-CSA/CMVSS
- (1B1) CODES/STANDARDS USA

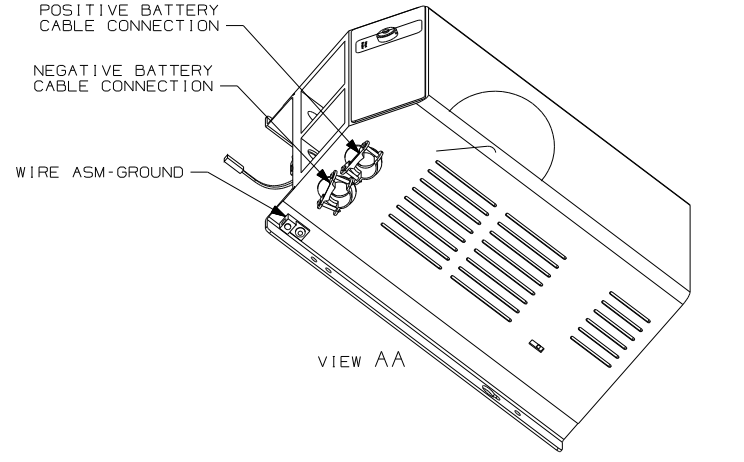
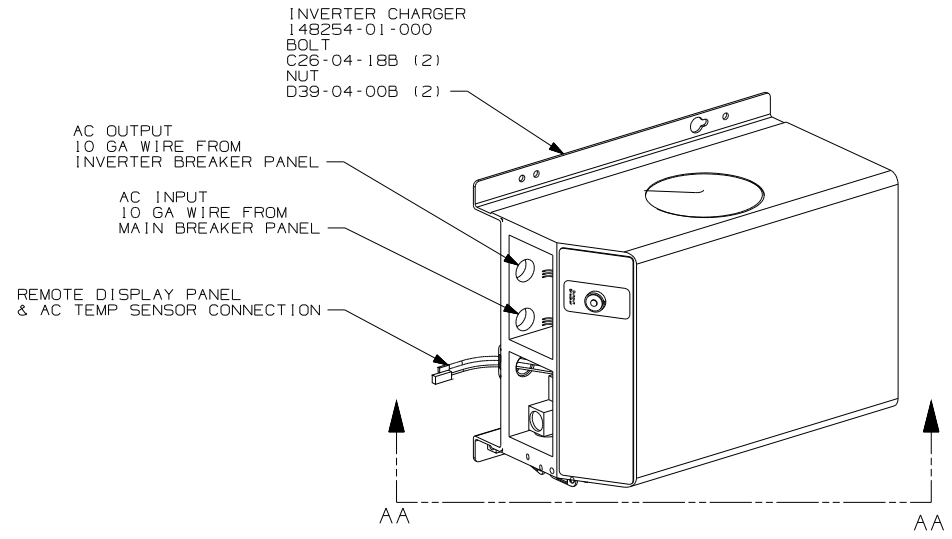
- 4 CONNECT PUR FROM ROOF IN THIS RCP.
- 3 ROUTE WIRES IN THE FLOOR DURING INSTALLATION
- 2. ALL WIRES ARE TO BE CLAMPED 10497-05-000 WITHIN 200 OF OUTLET BOXES AND SPLICES. USE SCREW G67-10-12B.
- 1. ALL WIRES TO BE SECURED WITH CLAMP 10495 OR 10497 OR WIRE TIE 8343 OR 108046 EVERY 600MM, USE SCREW G67-XX-XXX OR G56-XX-XXX AS APPROPRIATE FOR INSTALLATION.

NOTES:

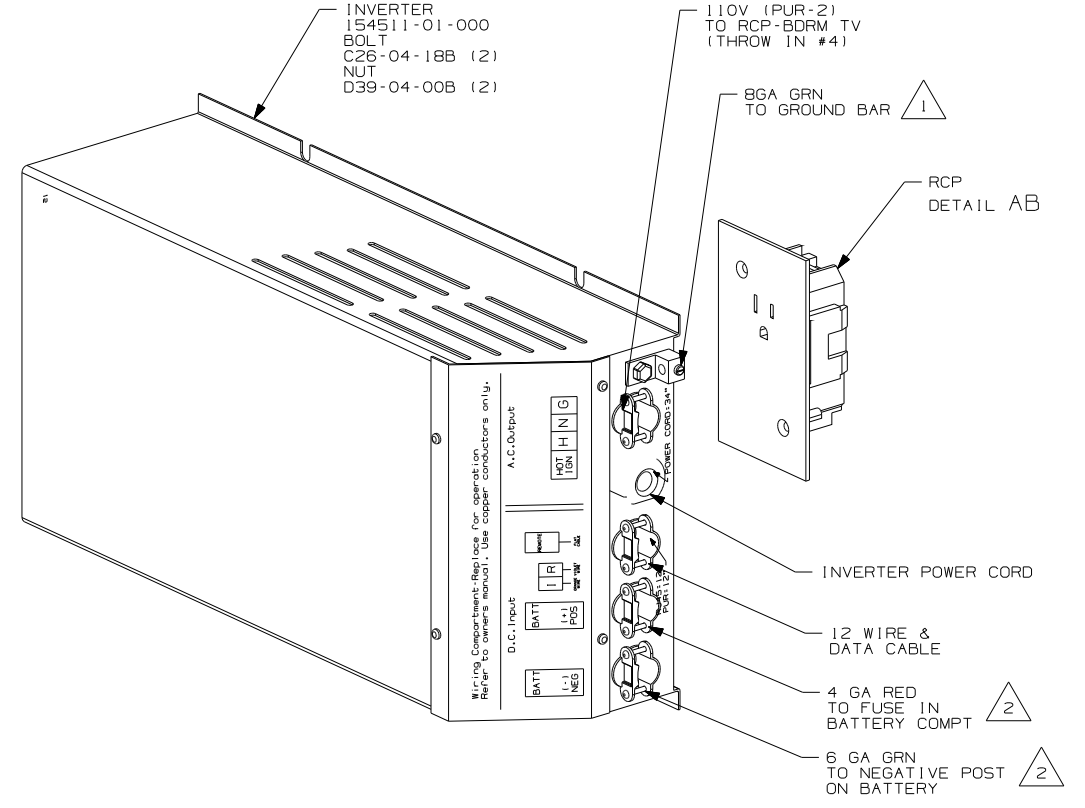
FOR ELECTRICAL TORQUE SPECIFICATIONS SEE DWG NO. 128783-01-000

(X-X) FOR ELECTRICAL CALLOUTS SEE DWG NO. 121339-01-000

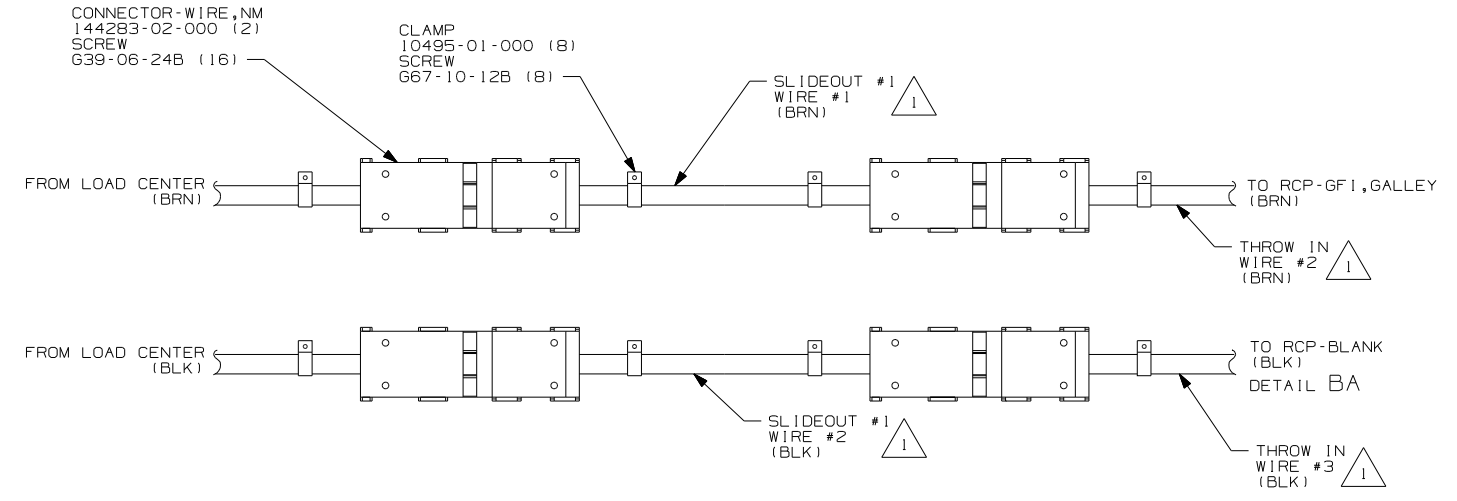
FIRST USED		07 P34H	
DO NOT SCALE DRAWING			
TITLE: WIRING INSTL-BODY, 110V			
SHEET 3	PART NO	159302	REV



DETAIL DA 13X



DETAIL DA 40D



DETAIL DB

265 CODES/STANDARDS CSA/CMVSS
1B1 CODES/STANDARDS USA

1B1 265

FIRST USED	07 P34H
TITLE	DO NOT SCALE DRAWING
TITLE	WIRING INSTL-BODY, 110V
SHEET 4	PART NO 159302 REV

FOR ELECTRICAL
TORQUE
SPECIFICATIONS
SEE DWG NO.
128783-01-000

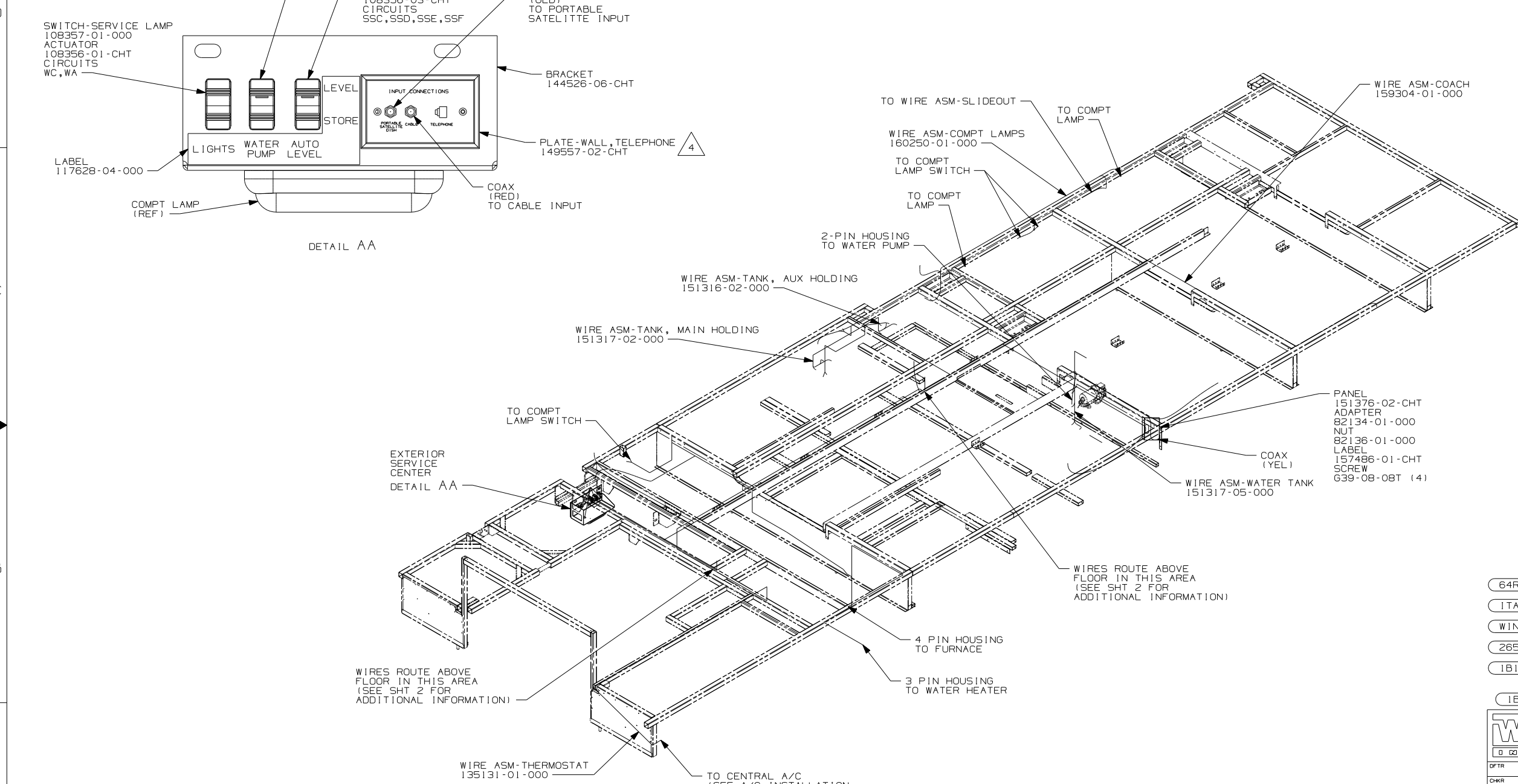
(X-X)
FOR
ELECTRICAL
CALLOUTS
SEE DWG NO.
121339-01-000

2 SEE WIRING INSTL-CHASSIS FOR ADDITIONAL INFORMATION.
1 SEE LOAD CENTER/ATS ASM FOR ADDITIONAL INFORMATION.

NOTES:

DRAWING NO.	MODEL
159301-01	34H (WIN)
159301-02	34H (ITA)
159301-03	34SH (WIN)
159301-04	34SH (ITA)

RELEASE	REV DATE	DWG NO
A		159301
REV ZONE	REVISION RECORD	DATE DFR-0R16



- 4 CONNECT TELEPHONE WIRES TO MATCH COLORS ON PLATE-TELEPHONE.
- WIRES THAT REST ON WIRE TRAYS ARE TO BE TIED DOWN WITH WIRE TIE 8343-02-000.
 - CLAMP TO FLOOR SUPPORT TUBES AS NECESSARY WITH CLAMP 10497-01-000.
 - ALL WIRES TO BE SECURED WITH CLAMP 10495 OR 10497 OR WIRE TIE 8343 OR 108046 EVERY 600MM, USE SCREW G67-XX-XXX OR G56-XX-XXX AS APPROPRIATE FOR INTALLATION.

- (64R) EXTERIOR WASH STATION
 - (ITA) ITASCA ONLY
 - (WIN) WINNEBAGO ONLY
 - (265) CODES/STANDARDS-CSA/CMVSS
 - (1B1) CODES/STANDARDS USA
- (1B1) (265)

WINNEBAGO COPYRIGHT 2006 WINNEBAGO INDUSTRIES, INC.

DFTR	ORIG. DATE
CHKR	ALL DIMENSIONS ARE IN MILLIMETERS
P.E.	
M.E.	FIRST USED
DSNR	07 P34H

UNSPECIFIED TOLERANCES ARE:	MATERIAL:
WHOLE DIM (X)	: 3
ONE-PLACE (X.X)	: 1.5
TWO-PLACE (X.XX)	: 0.50
ANGLE	: 1°

THIRD ANGLE PROJECTION

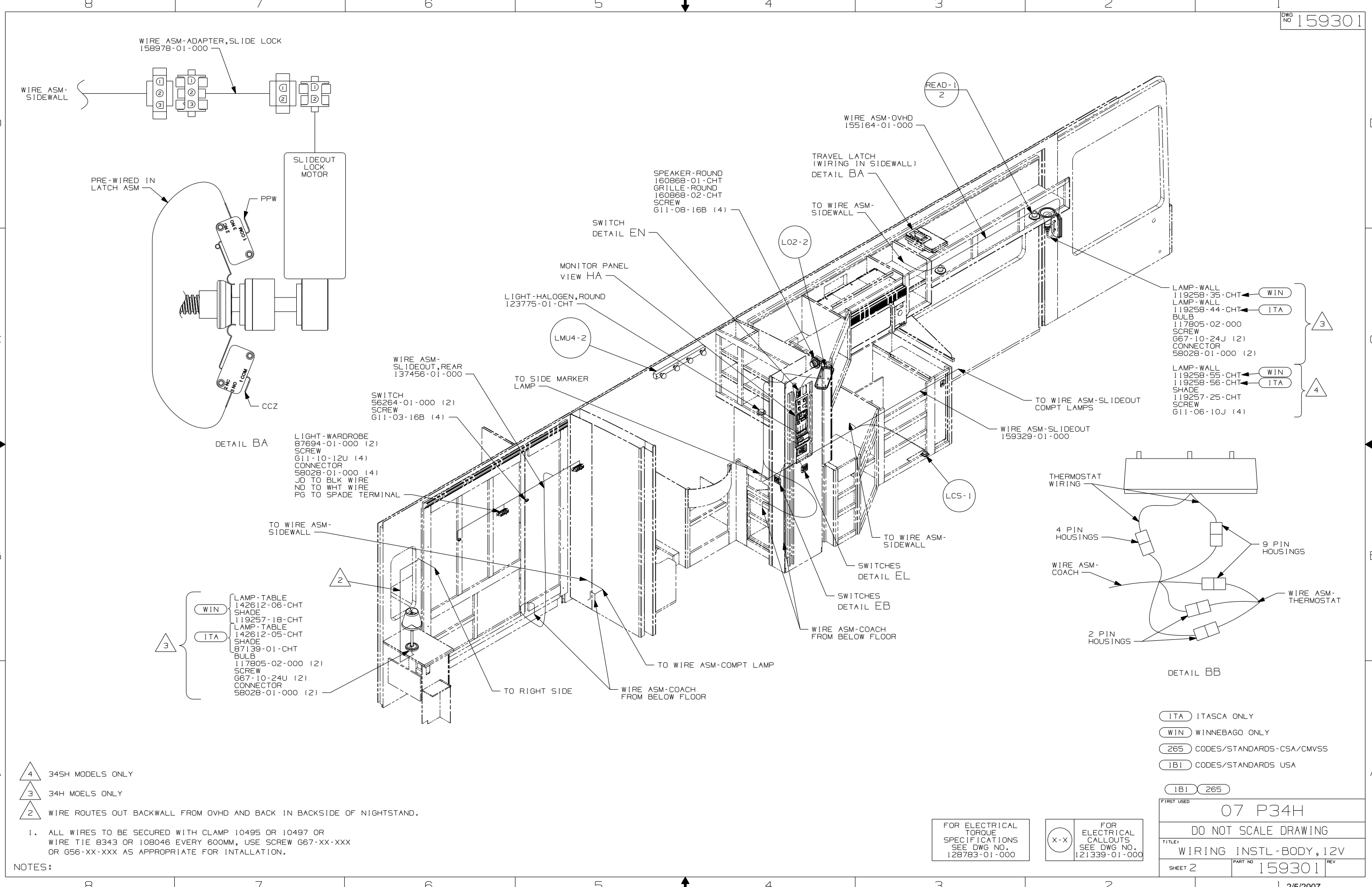
DO NOT SCALE DRAWING

TITLE: WIRING INSTL-BODY, 12V

SHEET 1 of 8 PART NO 159301 REV

FOR ELECTRICAL TORQUE SPECIFICATIONS SEE DWG NO. 128783-01-000

(X-X) FOR ELECTRICAL CALLOUTS SEE DWG NO. 121339-01-000



WIRE_ASM-ADAPTER,SLIDE LOCK
158978-01-000

WIRE_ASM-SIDEWALL

PRE-WIRED IN LATCH_ASM

SLIDEOUT LOCK MOTOR

PPW

CCZ

DETAIL BA

LIGHT-WARDROBE
87694-01-000 (2)
SCREW
G11-10-12U (4)
CONNECTOR
58028-01-000 (4)
JD TO BLK WIRE
ND TO WHT WIRE
PG TO SPADE TERMINAL

TO WIRE_ASM-SIDEWALL

WIN
LAMP-TABLE
142612-06-CHT
SHADE
119257-18-CHT
LAMP-TABLE
142612-05-CHT
SHADE
87139-01-CHT
BULB
117805-02-000 (2)
SCREW
G67-10-24U (2)
CONNECTOR
58028-01-000 (2)

3

2

LIGHT-HALOGEN,ROUND
123775-01-CHT

LMU4-2

TO SIDE MARKER LAMP

WIRE_ASM-SLIDEOUT,REAR
137456-01-000

SWITCH
56264-01-000 (2)
SCREW
G11-03-16B (4)

TO WIRE_ASM-SIDEWALL

MONITOR PANEL
VIEW HA

SWITCH
DETAIL EN

SPEAKER-ROUND
160868-01-CHT
GRILLE-ROUND
160868-02-CHT
SCREW
G11-08-16B (4)

L02-2

TRAVEL LATCH
(WIRING IN SIDEWALL)
DETAIL BA

WIRE_ASM-OVHD
155164-01-000

READ-1
2

WIN
LAMP-WALL
119258-35-CHT
LAMP-WALL
119258-44-CHT
BULB
117805-02-000
SCREW
G67-10-24J (2)
CONNECTOR
58028-01-000 (2)

3

WIN
LAMP-WALL
119258-55-CHT
LAMP-WALL
119258-56-CHT
SHADE
119257-25-CHT
SCREW
G11-06-10J (4)

4

WIRE_ASM-SLIDEOUT
159329-01-000

TO WIRE_ASM-SLIDEOUT
COMPT LAMPS

TO WIRE_ASM-SIDEWALL

LCS-1

SWITCHES
DETAIL EL

SWITCHES
DETAIL EB

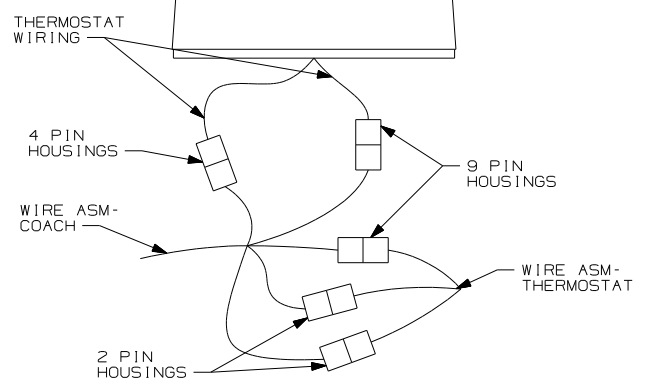
WIRE_ASM-COACH
FROM BELOW FLOOR

TO WIRE_ASM-COACH
FROM BELOW FLOOR

WIRE_ASM-COACH
FROM BELOW FLOOR

TO RIGHT SIDE

TO WIRE_ASM-COACH
FROM BELOW FLOOR



DETAIL BB

ITA ITASCA ONLY
WIN WINNEBAGO ONLY
265 CODES/STANDARDS-CSA/CMVSS
1B1 CODES/STANDARDS USA

1B1 265

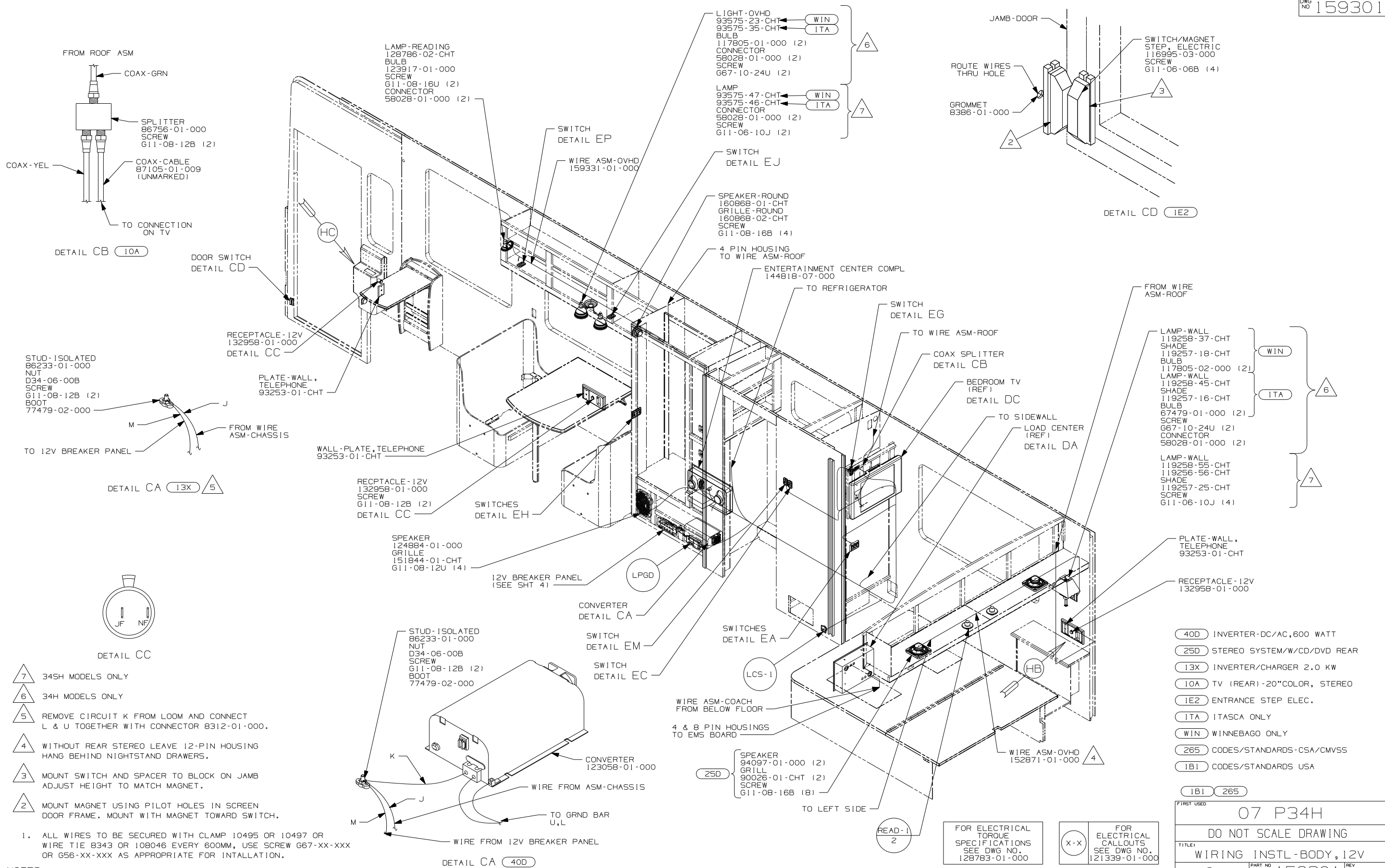
FIRST USED	07 P34H
TITLE	DO NOT SCALE DRAWING
	WIRING INSTL-BODY,12V
SHEET 2	PART NO 159301 REV

FOR ELECTRICAL
TORQUE
SPECIFICATIONS
SEE DWG NO.
128783-01-000

X-X
FOR ELECTRICAL
CALLOUTS
SEE DWG NO.
121339-01-000

NOTES:
1. ALL WIRES TO BE SECURED WITH CLAMP 10495 OR 10497 OR WIRE TIE 8343 OR 108046 EVERY 600MM, USE SCREW G67-XX-XXX OR G56-XX-XXX AS APPROPRIATE FOR INTALLATION.

- 4 34SH MODELS ONLY
- 3 34H MOELS ONLY
- 2 WIRE ROUTES OUT BACKWALL FROM OVHD AND BACK IN BACKSIDE OF NIGHTSTAND.



- 7 34SH MODELS ONLY
- 6 34H MODELS ONLY
- 5 REMOVE CIRCUIT K FROM LOOM AND CONNECT L & U TOGETHER WITH CONNECTOR 8312-01-000.
- 4 WITHOUT REAR STEREO LEAVE 12-PIN HOUSING HANG BEHIND NIGHTSTAND DRAWERS.
- 3 MOUNT SWITCH AND SPACER TO BLOCK ON JAMB ADJUST HEIGHT TO MATCH MAGNET.
- 2 MOUNT MAGNET USING PILOT HOLES IN SCREEN DOOR FRAME. MOUNT WITH MAGNET TOWARD SWITCH.

1. ALL WIRES TO BE SECURED WITH CLAMP 10495 OR 10497 OR WIRE TIE 8343 OR 108046 EVERY 600MM, USE SCREW G67-XX-XXX OR G56-XX-XXX AS APPROPRIATE FOR INTALLATION.

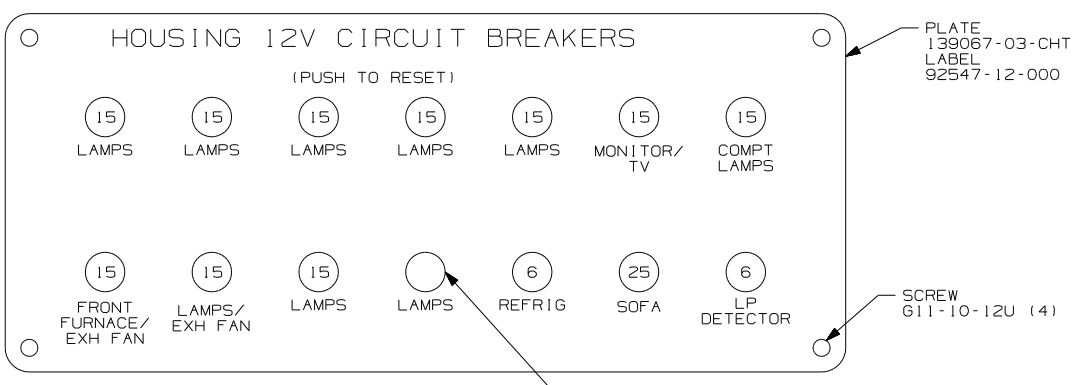
- LAMP-WALL (119258-37-CHT SHADE)
- SHADE (119257-18-CHT BULB)
- LAMP-WALL (117805-02-000 (2))
- SHADE (119258-45-CHT BULB)
- SHADE (119257-16-CHT BULB)
- SCREW (67-10-24U (2))
- CONNECTOR (58028-01-000 (2))
- LAMP-WALL (119258-55-CHT SHADE)
- SHADE (119256-56-CHT BULB)
- SCREW (119257-25-CHT)
- SCREW (611-06-10J (4))

- (40D) INVERTER-DC/AC,600 WATT
- (25D) STEREO SYSTEM/W/CD/DVD REAR
- (13X) INVERTER/CHARGER 2.0 KW
- (10A) TV (REAR) -20"COLOR, STEREO
- (1E2) ENTRANCE STEP ELEC.
- (1TA) ITASCA ONLY
- (WIN) WINNEBAGO ONLY
- (265) CODES/STANDARDS-CSA/CMVSS
- (1B1) CODES/STANDARDS USA

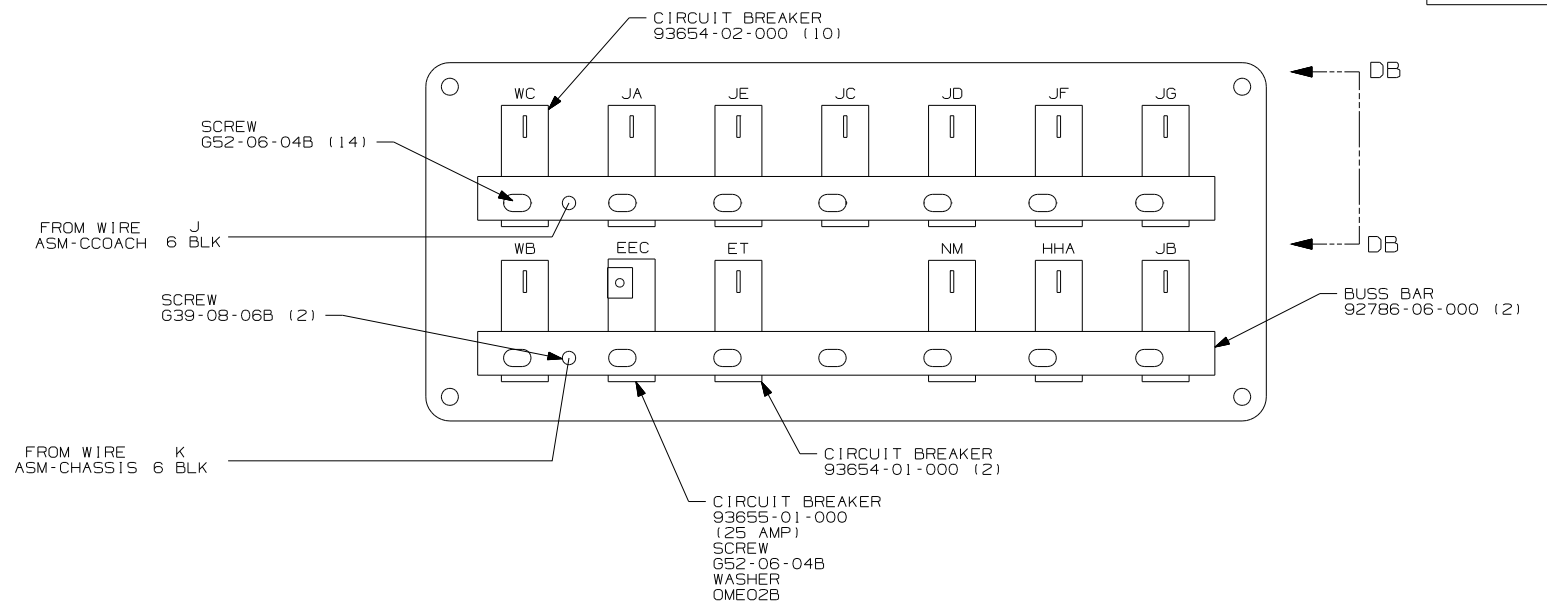
FIRST USED	
07 P34H	
DO NOT SCALE DRAWING	
TITLE: WIRING INSTL-BODY, 12V	
SHEET 3	PART NO 159301 REV

FOR ELECTRICAL TORQUE SPECIFICATIONS SEE DWG NO. 128783-01-000

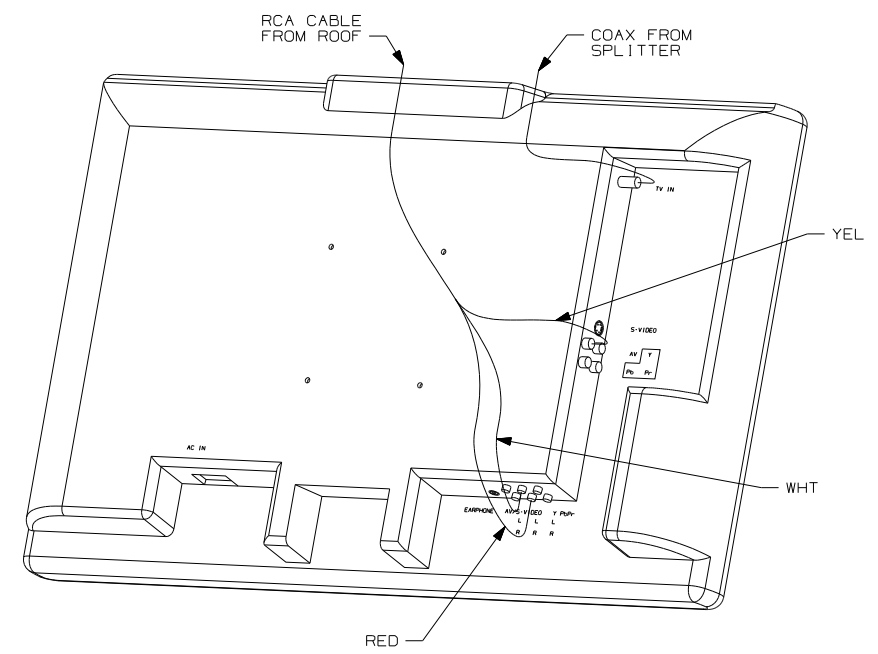
FOR ELECTRICAL CALLOUTS SEE DWG NO. 121339-01-000



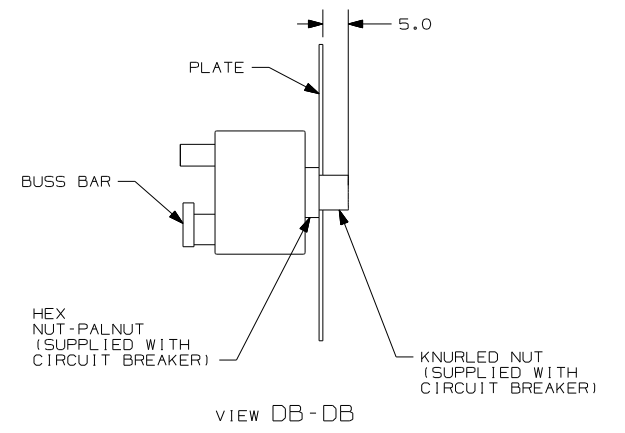
DETAIL DA (FRONT VIEW)



DETAIL DA (BACK VIEW)



DETAIL DC



265 CODES/STANDARDS - CSA/CMVSS

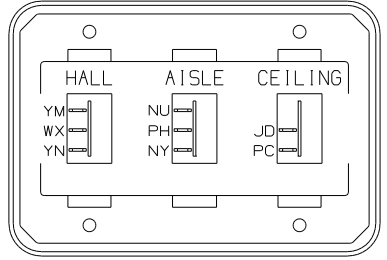
1B1 CODES/STANDARDS USA

1B1 265

FIRST USED	07 P34H
DO NOT SCALE DRAWING	
TITLE:	WIRING INSTL - BODY, 12V
SHEET 4	PART NO 159301 REV

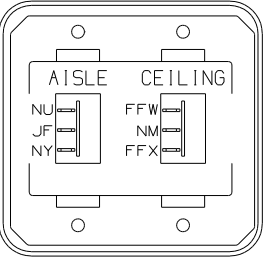
FOR ELECTRICAL TORQUE SPECIFICATIONS SEE DWG NO. 128783-01-000

(X-X) FOR ELECTRICAL CALLOUTS SEE DWG NO. 121339-01-000



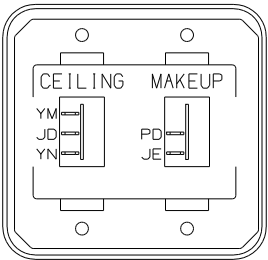
SWITCH-ROCKER
135740-01-CHT
135740-02-CHT (2)
SWITCH-BASE
135741-03-CHT
SWITCH-BEZEL
135742-25-CHT
SCREW
611-08-08U (4)

DETAIL EA



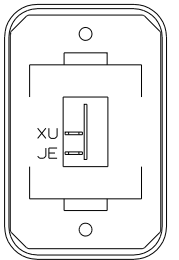
SWITCH-ROCKER
135740-01-CHT (2)
SWITCH-BASE
135741-02-CHT
SWITCH-BEZEL
135742-13-CHT
SCREW
611-08-08U (4)

DETAIL EH



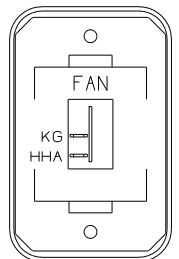
SWITCH-ROCKER
135740-01-CHT
135740-02-CHT
SWITCH-BASE
135741-02-CHT
SWITCH-BEZEL
135742-14-CHT
SCREW
611-08-08U (4)

DETAIL EB



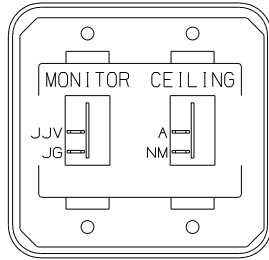
SWITCH-ROCKER
135740-01-CHT
SWITCH-BASE
135741-01-CHT
SWITCH-BEZEL
135742-01-CHT
SCREW
611-08-08U (2)

DETAIL EJ



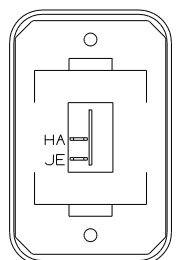
SWITCH-ROCKER
135740-01-CHT
SWITCH-BASE
135741-01-CHT
SWITCH-BEZEL
135742-12-CHT
SCREW
611-08-08U (2)

DETAIL EC



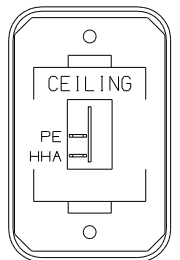
SWITCH-ROCKER
135740-01-CHT (2)
SWITCH-BASE
135741-02-CHT
SWITCH-BEZEL
135742-31-CHT
SCREW
611-08-08U (4)

DETAIL EL



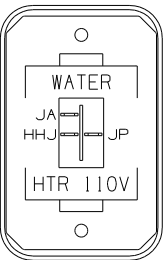
SWITCH-ROCKER
135740-01-CHT
SWITCH-BASE
135741-01-CHT
SWITCH-BEZEL
135742-01-CHT
SCREW
611-08-08U (2)

DETAIL EP



SWITCH-ROCKER
135740-01-CHT
SWITCH-BASE
135741-01-CHT
SWITCH-BEZEL
135742-07-CHT
SCREW
611-08-08U (2)

DETAIL EM (WIN)



SWITCH-ROCKER
135740-06-CHT
SWITCH-BASE
135741-01-CHT
SWITCH-BEZEL
135742-35-CHT
SCREW
611-08-08U (2)

DETAIL EN

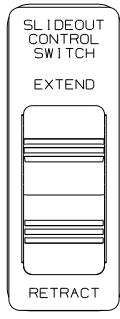


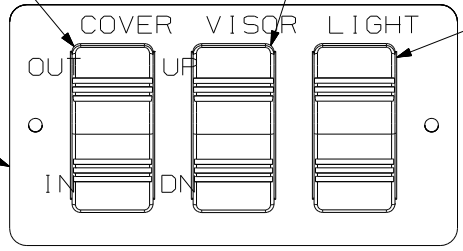
PLATE-SWITCH
144363-09-CHT
SWITCH
108357-06-000
ACTUATOR
108356-01-CHT
NU, O
D65-08-00B (2)
LABEL
116220-01-000
DDA, CCY, DGA, BBM, CCZ, BBN

WARNING
UNDERSTAND OPERATOR'S MANUAL
BEFORE USING KEEP PEOPLE AND
OBSTRUCTIONS CLEAR OF SLIDEOUT
ROOM WHEN OPERATING TO AVOID
INJURY AND/OR PROPERTY DAMAGE

LABEL-WARNING
116549-02-000

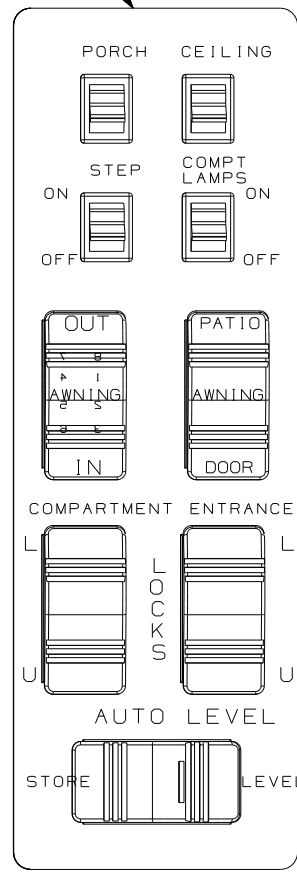
DETAIL EG

SWITCH-COVER
108357-06-000
ACTUATOR-SWITCH
108356-01-CHT
CIRCUITS
GX, KA, HHC, HDD



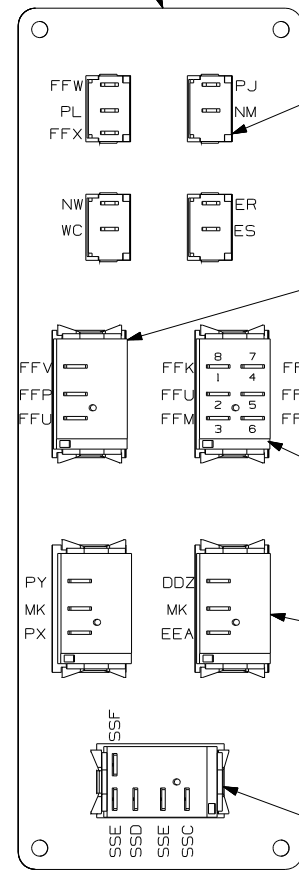
DETAIL EF

APPLIQUE
149527-02-CHT



DETAIL EE (FRONT SIDE)

PLATE-SWITCH, CONSOLE, RH
149521-02-CHT
SCREW
611-06-10U (4)



DETAIL EE (BACK SIDE)

SWITCH
132180-01-CHT (3)
132180-02-CHT

SWITCH-AWNING SELECTOR
ACTUATOR
108357-08-000
108356-13-CHT
SWITCH-BLANK
96241-03-000 (1)

SWITCH-AWNING SELECTOR
ACTUATOR
108357-06-000
108356-13-CHT
SWITCH-BLANK
96241-03-000 (1)

SWITCH-DOOR LOCKS
ACTUATOR
108357-07-000 (2)
108356-01-CHT (2)

SWITCH-AUTO LEVEL
ACTUATOR
108357-18-000
108356-03-CHT

SWITCH-BLANK
96241-03-000 (28K)
SWITCH-VISOR
108357-16-000
ACTUATOR-SWITCH
108356-01-CHT
CIRCUITS
HHM, HHN, MK, PPJ, PPK (28J)

SWITCH-LAMPS
108357-01-000
ACTUATOR-SWITCH
108356-01-CHT

- (52N) AWNING - PATIO, ELECTRIC
- (28K) SUNVISORS - MANUAL (2)
- (28J) SUNVISORS - POWERED (2)
- (ITA) ITASCA ONLY
- (WIN) WINNEBAGO ONLY
- (265) CODES/STANDARDS-CSA/CMVSS
- (1B1) CODES/STANDARDS USA

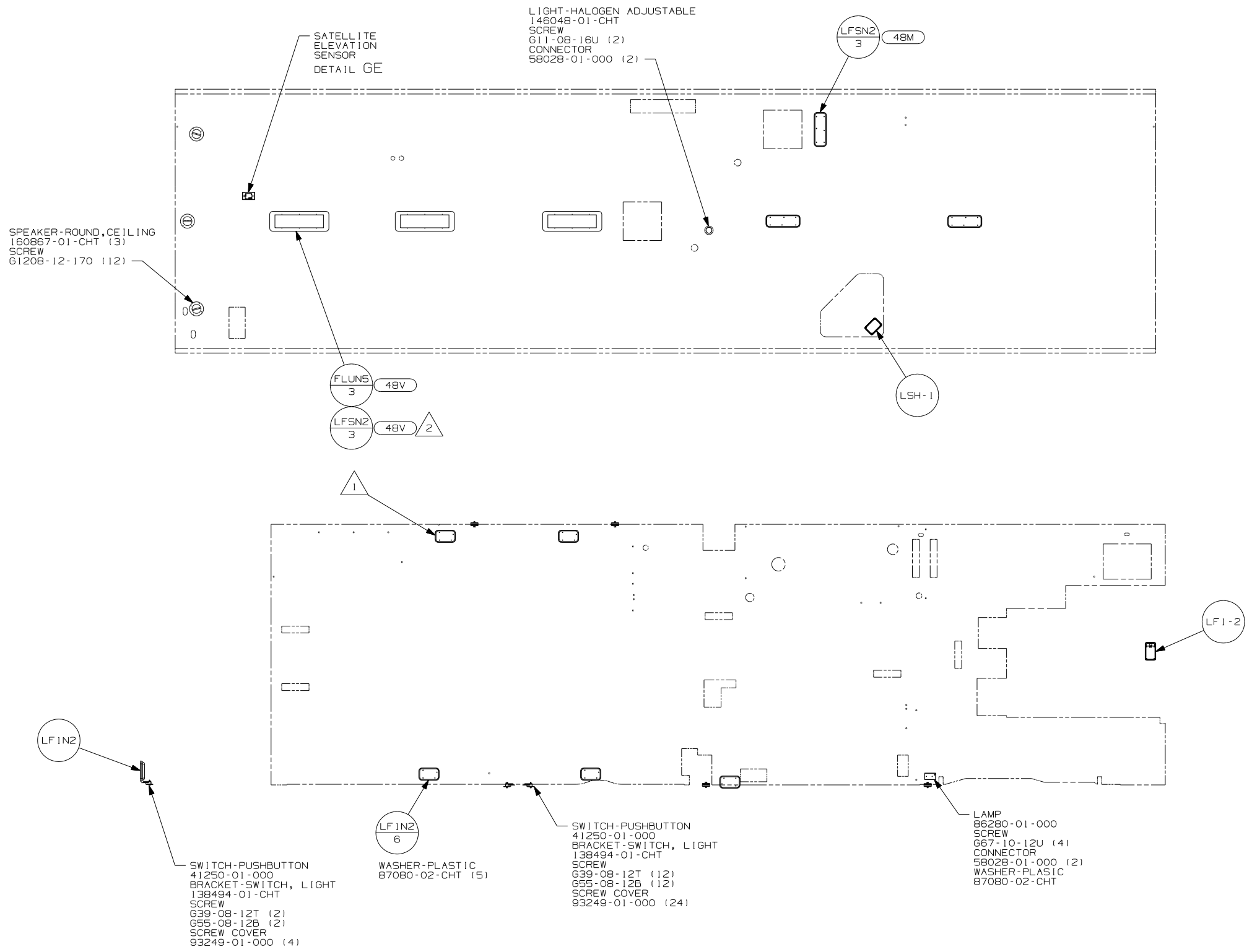
(1B1) (265)

FIRST USED	07 P34H
TITLE:	DO NOT SCALE DRAWING
	WIRING INSTL-BODY, 12V
SHEET 5	PART NO 159301 REV

FOR ELECTRICAL
TORQUE
SPECIFICATIONS
SEE DWG NO.
128783-01-000

(X-X)
FOR
ELECTRICAL
CALLOUTS
SEE DWG NO.
121339-01-000

NOTES:
1 WITHOUT (52N)



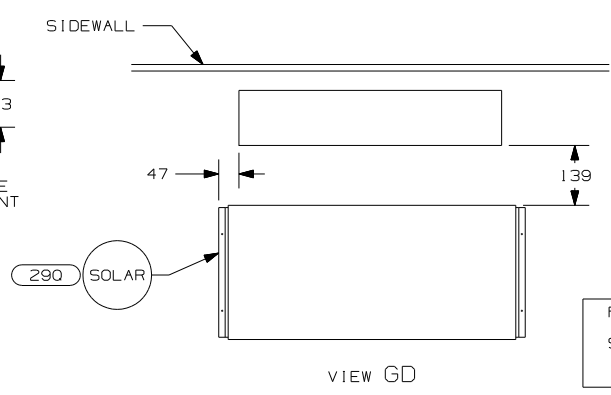
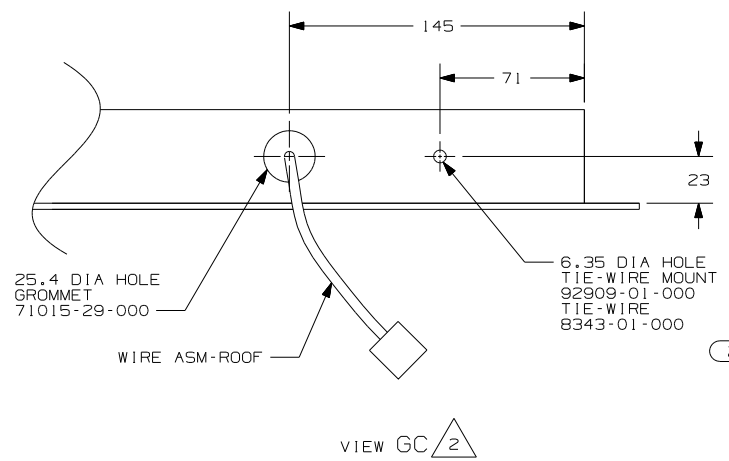
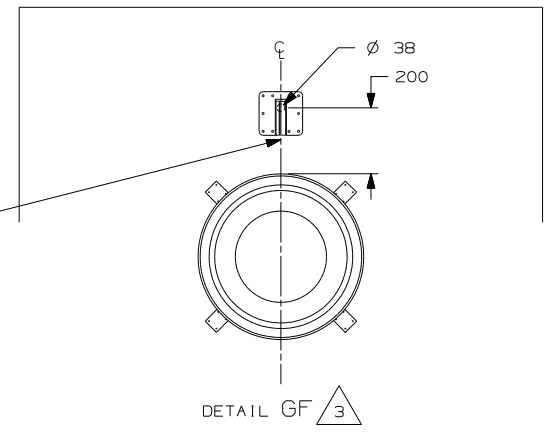
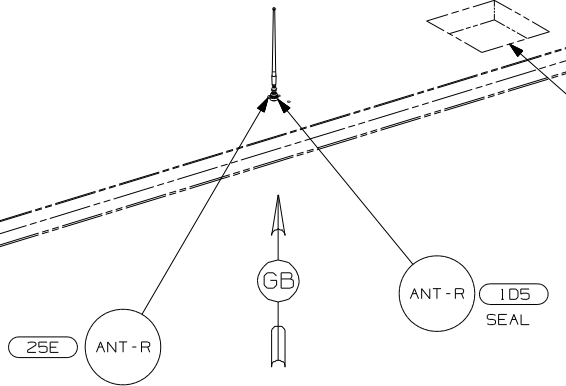
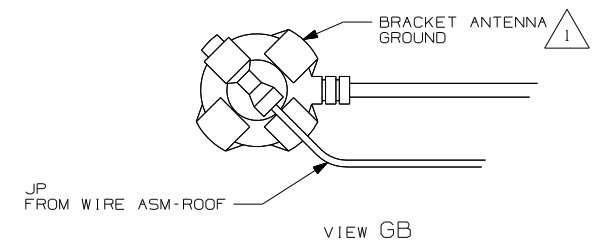
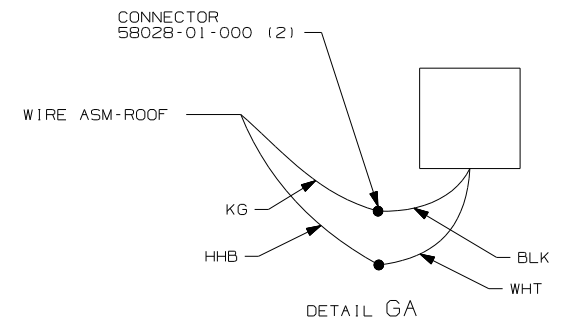
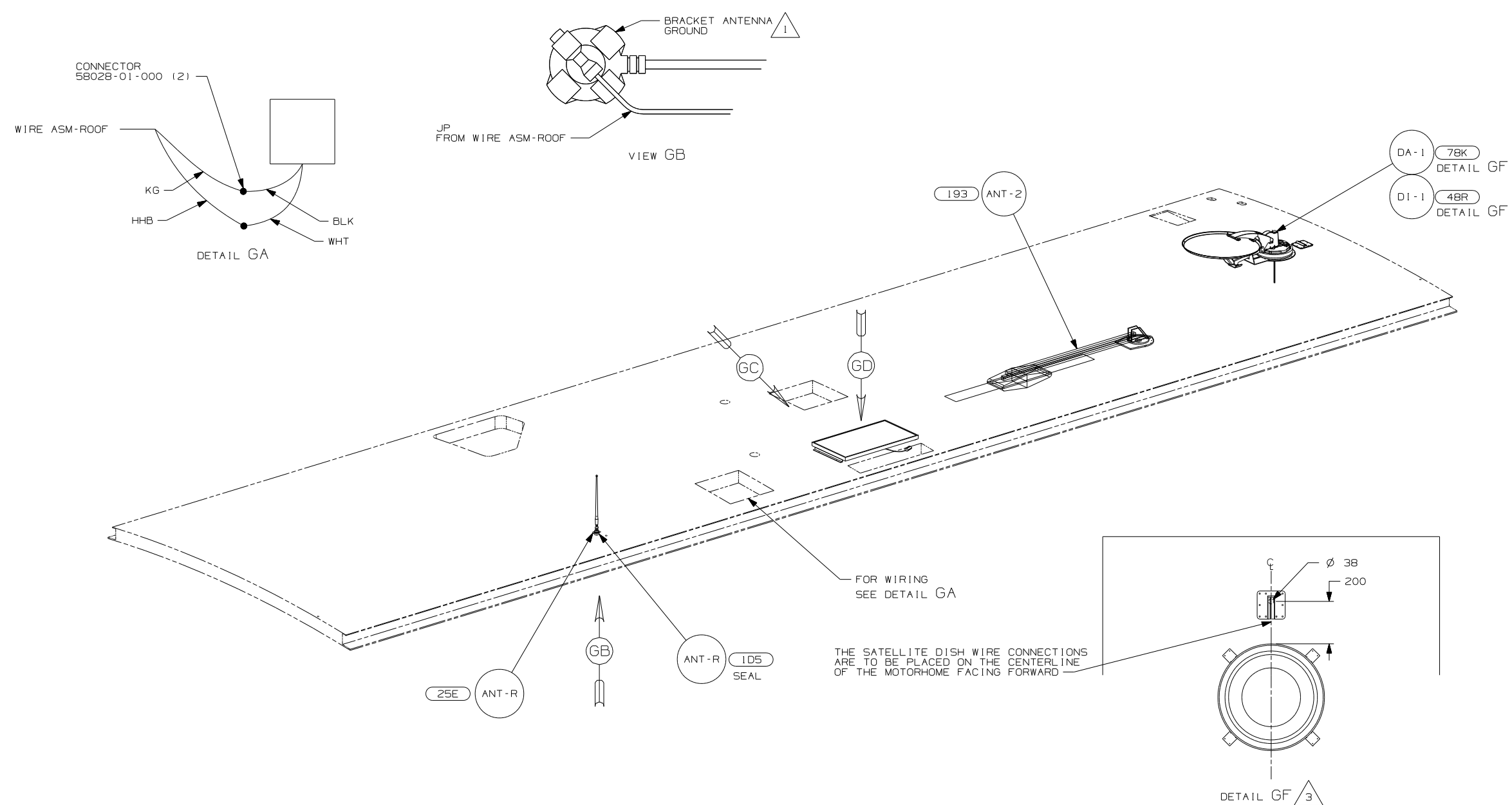
NOTES:
 2 34SH MODELS ONLY
 1 LAMPS TO BE MOUNTED 75 ±20 FROM EDGE OF FLOOR.

- 48V LIGHTS-FLUORESCENT
- 48M LIGHTS-INCANDESCENT
- 265 CODES/STANDARDS-CSA/CMVSS
- 1B1 CODES/STANDARDS USA

FIRST USED	07 P34H	
DO NOT SCALE DRAWING		
TITLE:	WIRING INSTL-BODY, 12V	
SHEET 6	PART NO	159301
REV		

FOR ELECTRICAL TORQUE SPECIFICATIONS SEE DWG NO. 128783-01-000

FOR ELECTRICAL CALLOUTS SEE DWG NO. 121339-01-000



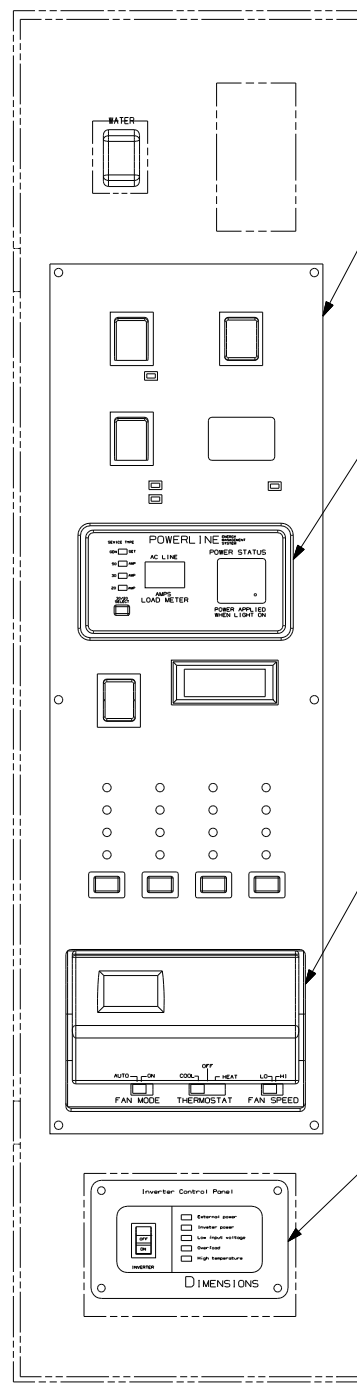
- NOTES:
- 3 REMOVE ALL SHIPPING RESTRAINTS AND FIRMLY INSERT THE SUPPLIED PLUGS INTO THE APPROPRIATE SIZED HOLES AS SPECIFIED IN THE INSTALLATION PROCESS.
 - 2 FASTEN TO VENT.
 - 1 WRAP BRACKET LEGS AROUND ANTENNA BASE.

- 25E STEREO SYSTEM W/CD REAR
- 48R SAT SYS IN-MOTION W/O RCVR
- 78K SATELLITE DISH-AUTOMATIC
- 480 SATELLITE DISH & ELEV.SENSOR
- 290 SOLAR PANEL-10 WATT
- 1D5 ENTERTAINMENT CENTR/EXT W/CD
- 193 TV ANTENNA-AMPLIFIED SYSTEM
- 265 CODES/STANDARD-CSA/CMVSS
- 1B1 CODES/STANDARDS USA

FOR ELECTRICAL TORQUE SPECIFICATIONS SEE DWG NO. 128783-01-000

FOR ELECTRICAL CALLOUTS SEE DWG NO. 121339-01-000

FIRST USED	07 P34H	
TITLE:	DO NOT SCALE DRAWING	
	WIRING INSTL-BODY, 12V	
SHEET 7	PART NO	REV
	159301	



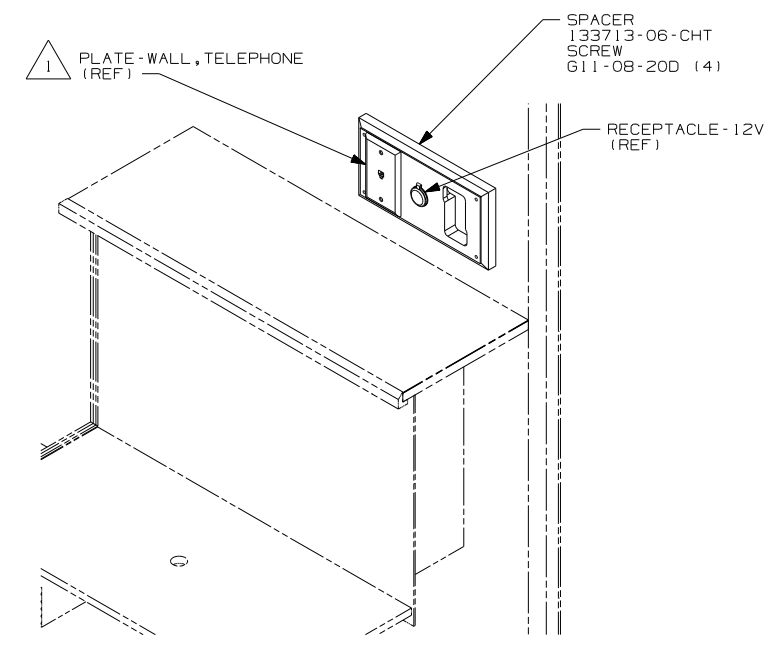
MONITOR PANEL
133004-05-CHT
SCREW
G11-08-12B (4)

MONITOR
127002-10-000
SCREW
G13-06-061 (2)

THERMOSTAT
A/C AND FURNACE
105620-18-000
GASKET-THERMOSTAT
134588-09-000
DETAIL BB

REMOTE PANEL
INVERTER/CHARGER
148254-05-000
REMOTE PANEL-INVERTER
154511-02-000
CABLE ASM-MODULE JACK 50'
148254-03-000
CONDUIT
41953-09-000
(7000)

VIEW HA

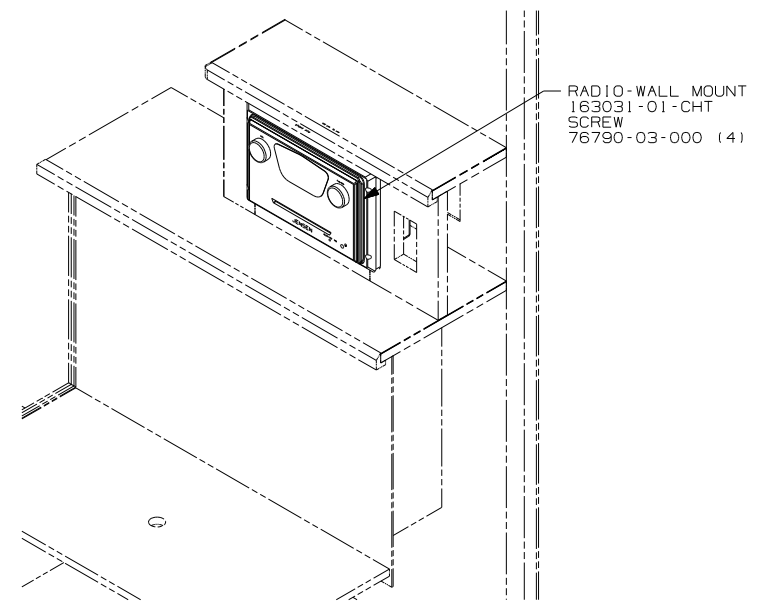


1 PLATE-WALL, TELEPHONE
(REF)

SPACER
133713-06-CHT
SCREW
G11-08-20D (4)

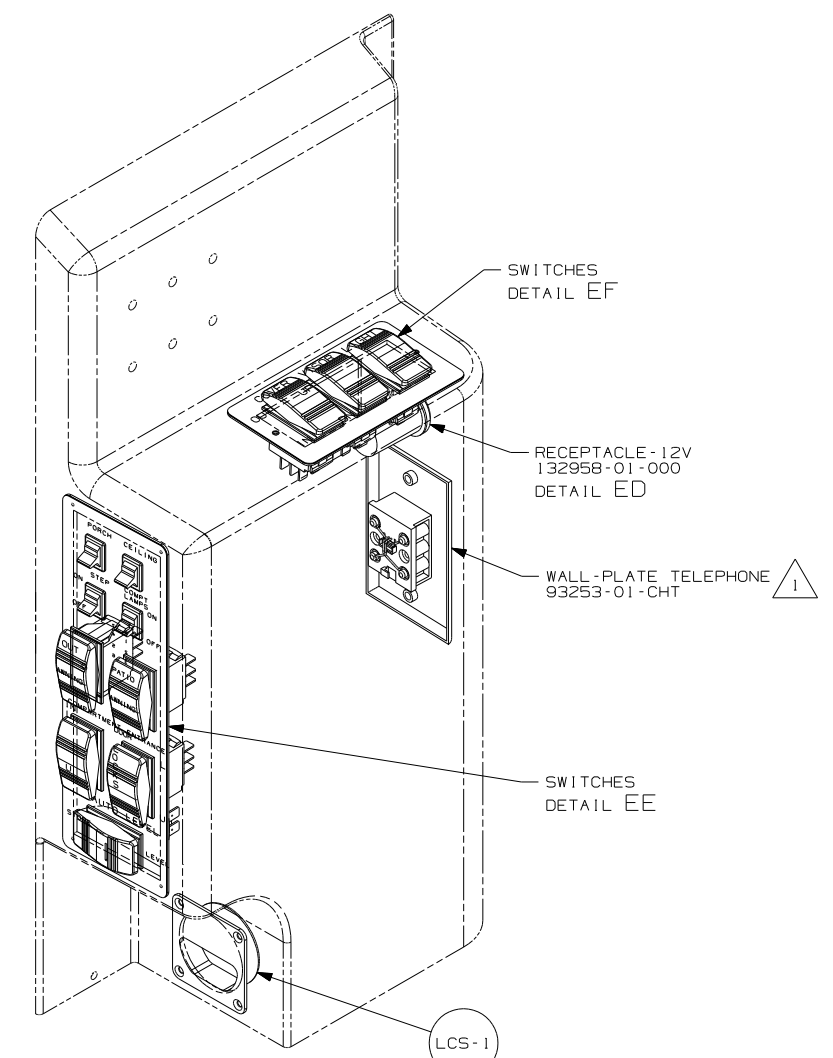
RECEPTACLE-12V
(REF)

VIEW HB 26K



RADIO-WALL MOUNT
163031-01-CHT
SCREW
76790-03-000 (4)

VIEW HB 25D



SWITCHES
DETAIL EF

RECEPTACLE-12V
132958-01-000
DETAIL ED

WALL-PLATE TELEPHONE
93253-01-CHT

SWITCHES
DETAIL EE

LCS-1

VIEW HC

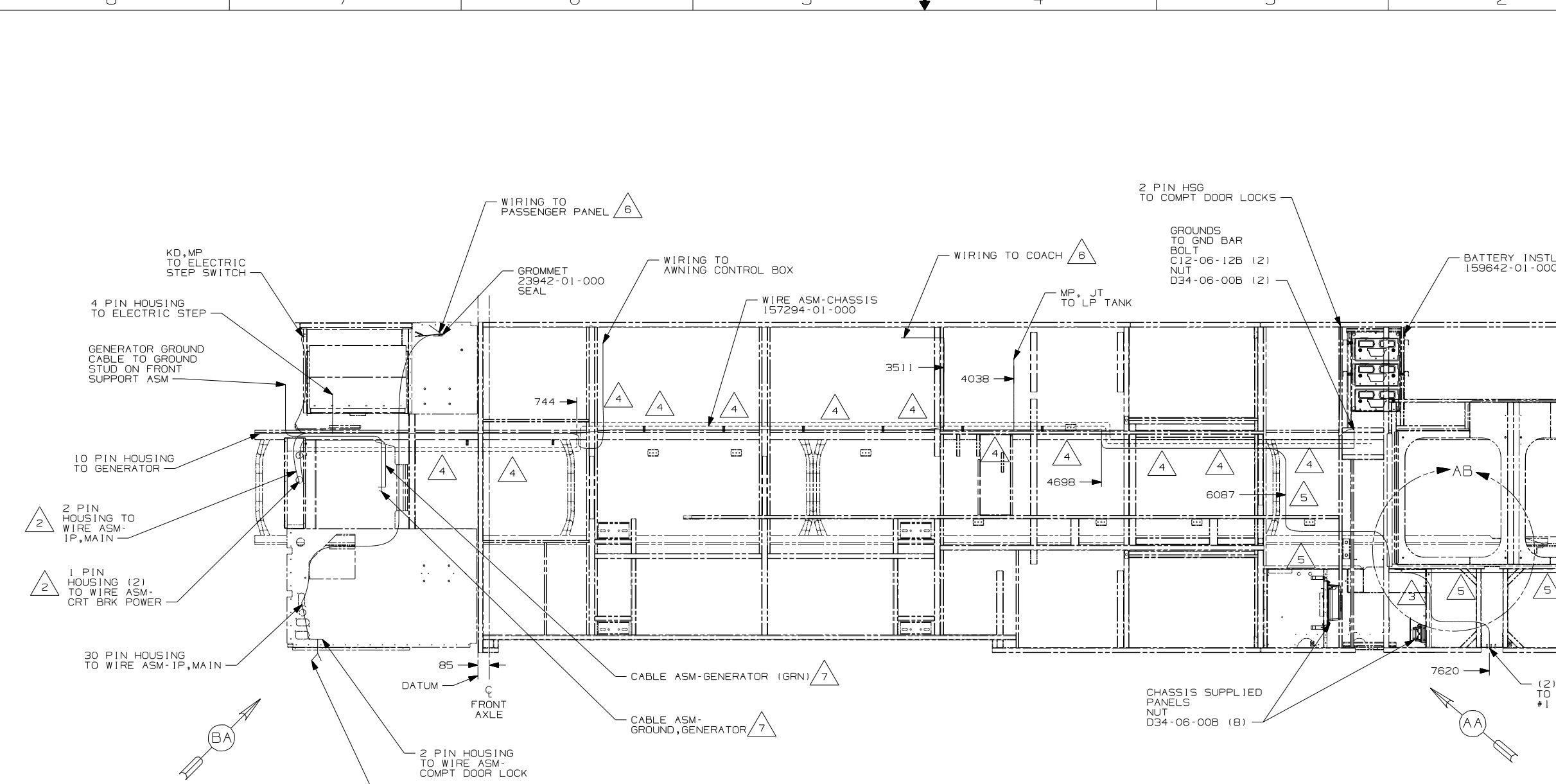
- NOTES:
- 3 INSTALL GASKET ON BACK SIDE OF ONE PLACE AFTER INSTALLATION OF THERMOSTAT, MAKING SURE THAT THE GASKET COVERS AND SEALS THE HOLE THAT THE WIRES PASS THROUGH.
 - 2 CONNECT CIRCUIT WB FROM COACH WIRING TO RED WIRE ON REMOTE PANEL.
 - 1 CONNECT TELEPHONE WIRES TO MATCHING COLORS ON PLATE-TELEPHONE.

- 40D INVERTER-DC/AC, 600 WATT
- 26K REAR STEREO SYSTEM WITHOUT
- 25D STEREO SYSTEM/W/CD/DVD REAR
- 13X INVERTER/CHARGER 2.0 KW
- 265 CODES/STANDARDS-CSA/CMVSS
- 1B1 CODES/STANDARDS USA

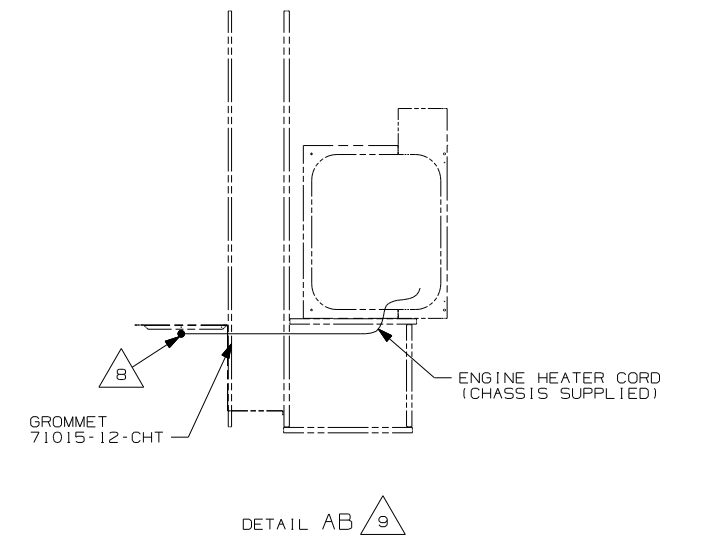
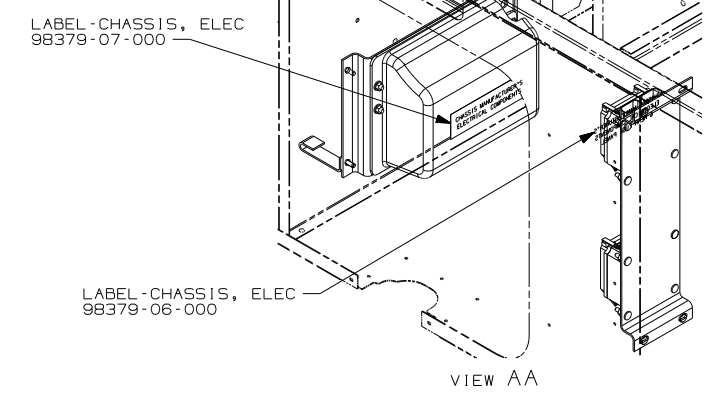
FIRST USED	
07 P34H	
DO NOT SCALE DRAWING	
TITLE: WIRING INSTL-BODY, 12V	
SHEET 8	PART NO 159301 REV

FOR ELECTRICAL
TORQUE
SPECIFICATIONS
SEE DWG NO.
128783-01-000

X-X
FOR ELECTRICAL
CALLOUTS
SEE DWG NO.
121339-01-000



- 9 SECURE CORD AWAY FROM ALL MOVING PARTS AND EXHAUST WITH WIRE TIE 93147-01-000 AS REQUIRED
- 8 ENGINE HEATER CORD MUST PASXS THRU COMPT AT LEAST 250MM TO PLUG INTO RECP.
- 7 SEE BATTERY INSTL. FOR ADDITIONAL INFORMATION
- 6 SEE WIRING ASM-CHASSIS FOR ADDITIONAL INFORMATION.
- 5 CLAMP 10497-03-000, SCREW G39-08-12B
- 4 CLAMP 83610-01-000, SCREW G11-10-16B
- 3 USE WIRE-TIE 8343-02-000 TO SECURE WIRES TO FLOOR SUPPORT FRAME AT LEAST ONCE EVERY 600MM.
- 2 SEE WIRING INSTL-FRONT END FOR ADDITIONAL INFORMATION.

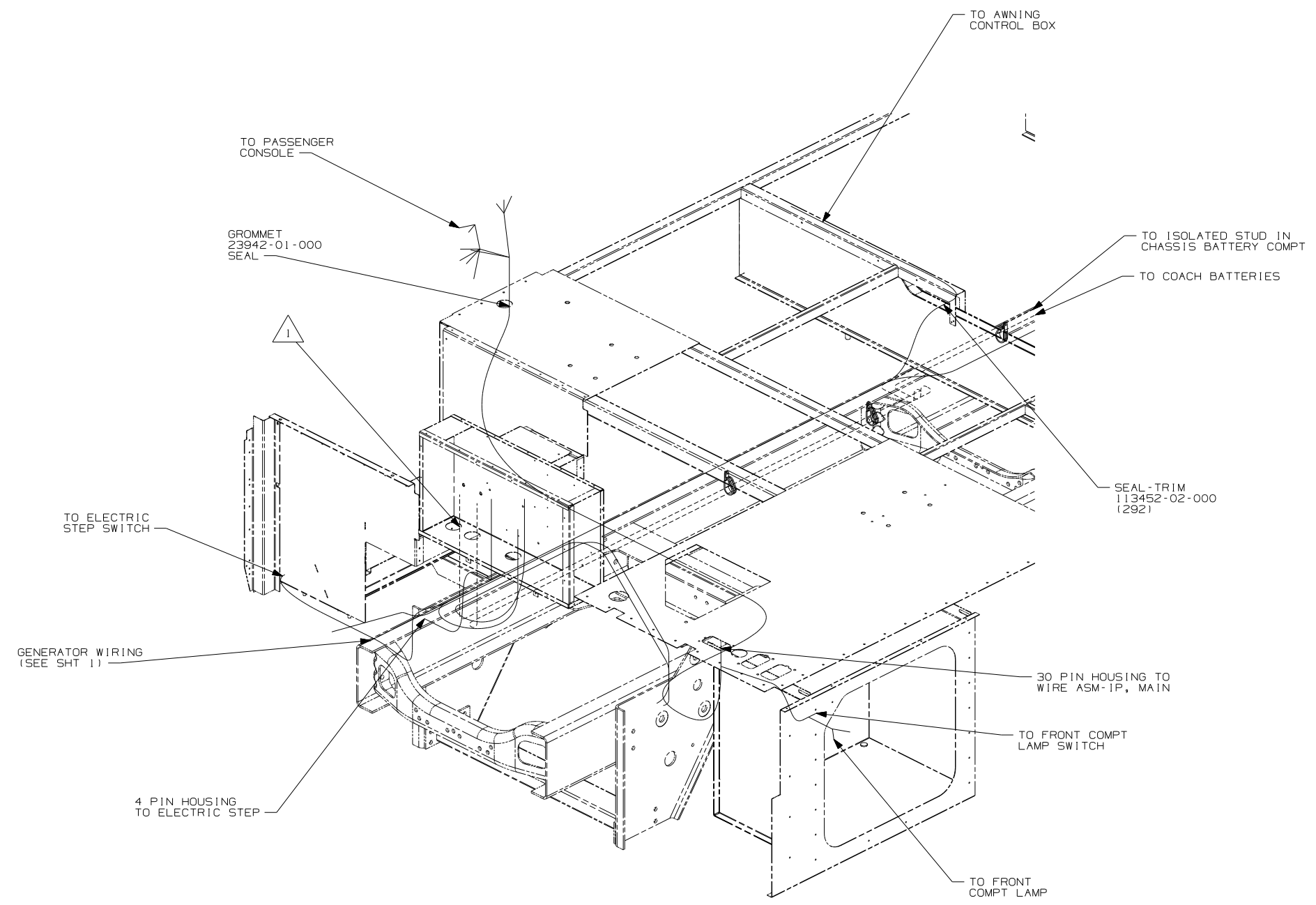


- 67H GEN-8.0KW ONAN QUIET DIESEL
- 265 CODES/STANDARDS-CSA/CMVSS
- 1B1 CODES/STANDARDS USA
- 1B1 265

WINNEBAGO		COPYRIGHT 2006 WINNEBAGO INDUSTRIES, INC.	
DFTR	ORIG. DATE		
CHKR	ALL DIMENSIONS ARE IN MILLIMETERS		
P.E.			
M.E.	FIRST USED	07 P34H	
DSNR			
UNSPECIFIED TOLERANCES ARE:		MATERIAL:	
WHOLE DIM (X)	: 3		
ONE-PLACE (X.X)	: 1.5		
TWO-PLACE (X.XX)	: 0.50		
ANGLE	: 1°		
THIRD ANGLE PROJECTION			
DO NOT SCALE DRAWING			
TITLE: WIRING INSTL-CHASSIS			
SHEET 1 OF 2	PART NO	159300	
REF:	1 2/5/2007		

1. LEGEND: ——— WINNEBAGO: - - - - - CABLE: - - - - - CHASSIS SUPPLIED WIRING.

NOTES:



VIEW BA

- (265) CODES/STANDARDS-CSA/CMVSS
- (1B1) CODES/STANDARDS USA
- (1B1) (265)

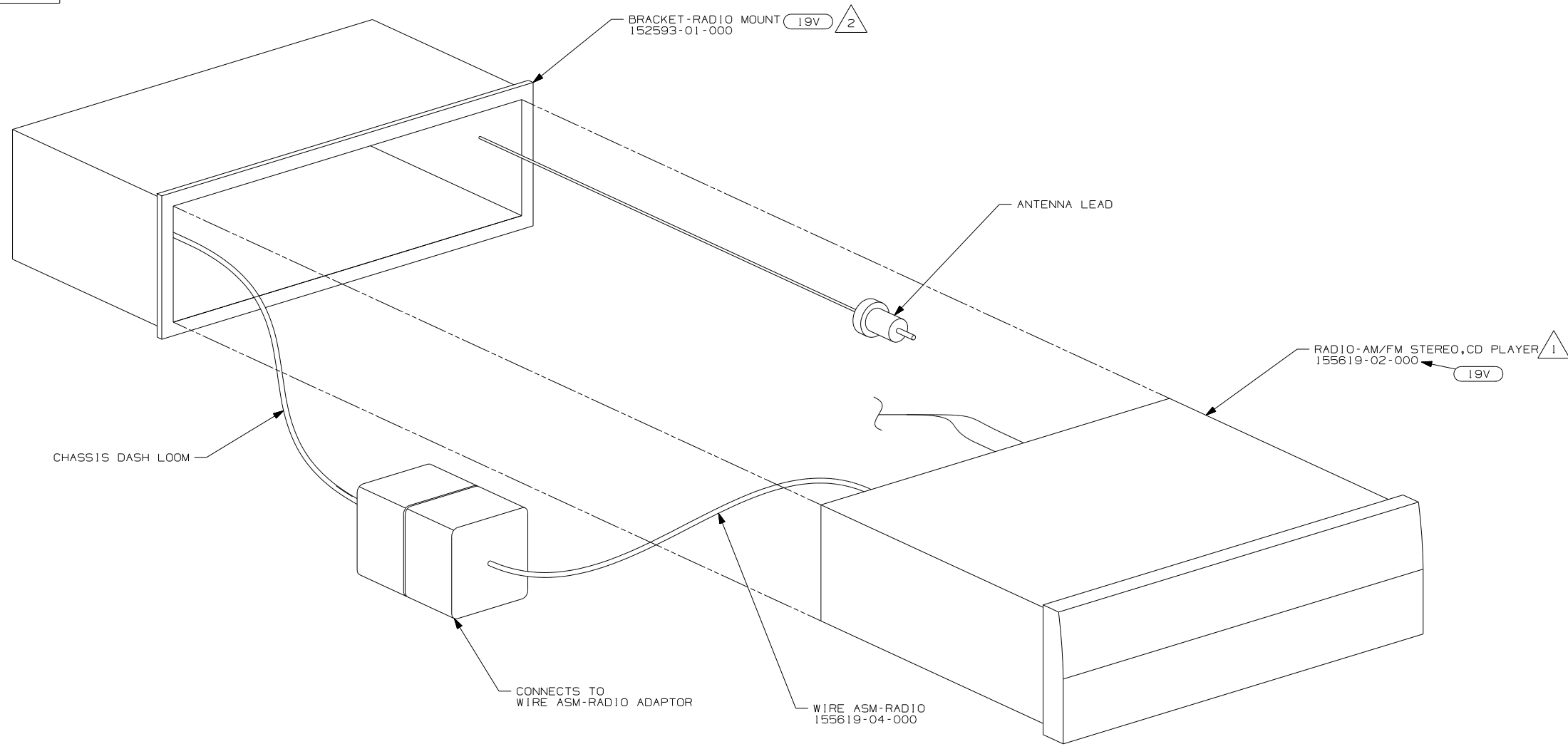
FIRST USED		07 P34H	
DO NOT SCALE DRAWING			
TITLE: WIRING INSTL-CHASSIS			
SHEET 2	PART NO	159300	REV

NOTES:

1 SEE WIRING INSTL-FRONT END FOR ADDITIONAL INFORMATION.

DRAWING NO.	SHEET	SERIES
156331-01	1	200
156331-02	2	300 & 700
156331-03	3	500
156331-04	4	D,F,G,P,R,S-SERIES
156331-05	5	E-SERIES

RELEASE	REV DATE	OWG NO	156331
REV ZONE	REVISION RECORD	DATE	DFTR-ORIG



19V RADIO-AM/FM STEREO CD PLAYER (FORD CHASSIS ONLY)

WINNEBAGO COPYRIGHT 2006 WINNEBAGO INDUSTRIES, INC.

DFTR	ORIG. DATE
CHKR	ALL DIMENSIONS ARE IN MILLIMETERS
P.E.	
M.E.	FIRST USED
DSNR	07 MOTORHOMES

UNSPECIFIED TOLERANCES ARE: MATERIAL:

WHOLE DIM (X)	:	
ONE-PLACE (X.X)	:	
TWO-PLACE (X.XX)	:	
ANGLE	:	

THIRD ANGLE PROJECTION

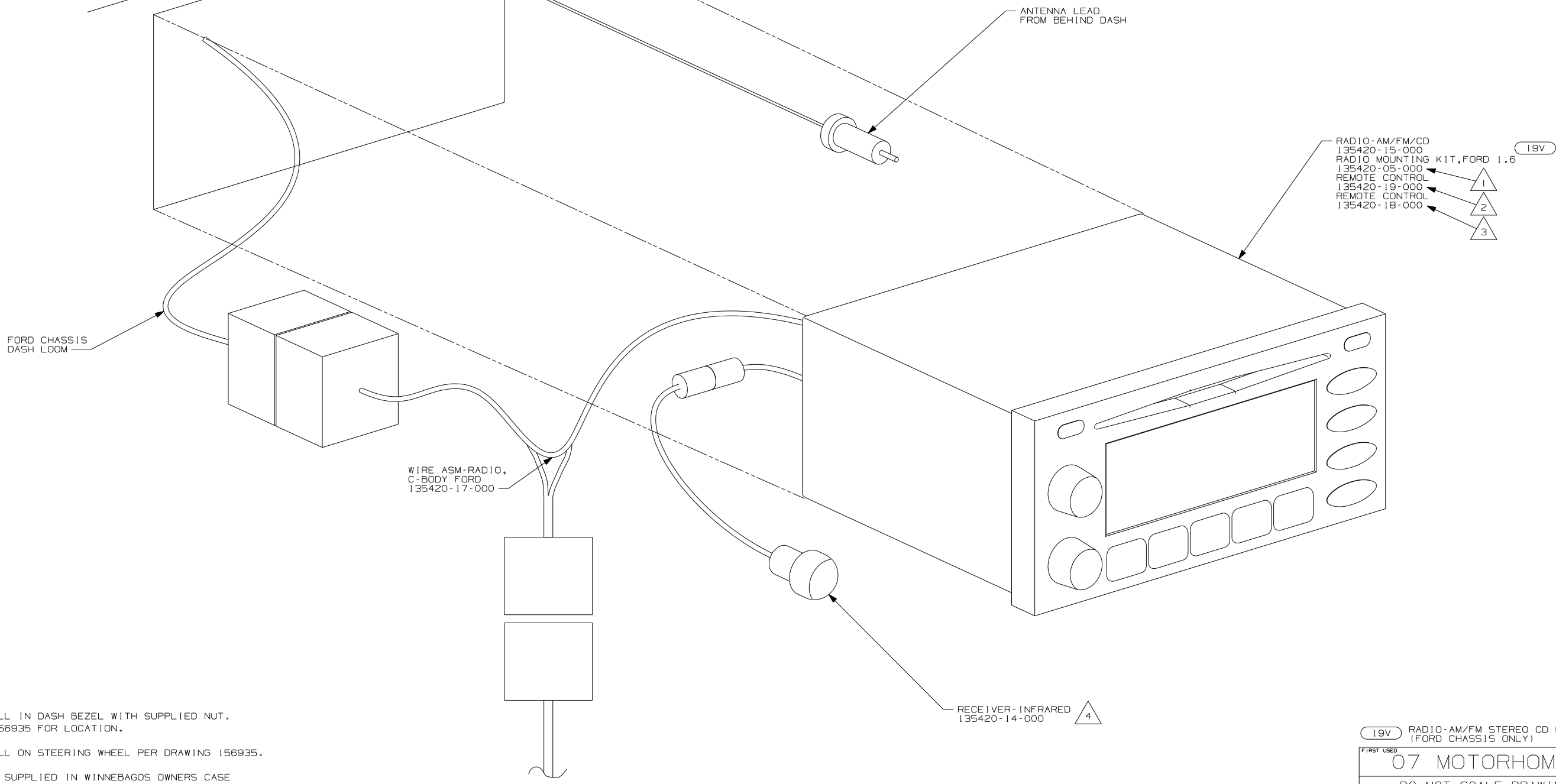
DO NOT SCALE DRAWING

TITLE: RADIO INSTL

SHEET 1 OF 5 PART NO 156331 REV

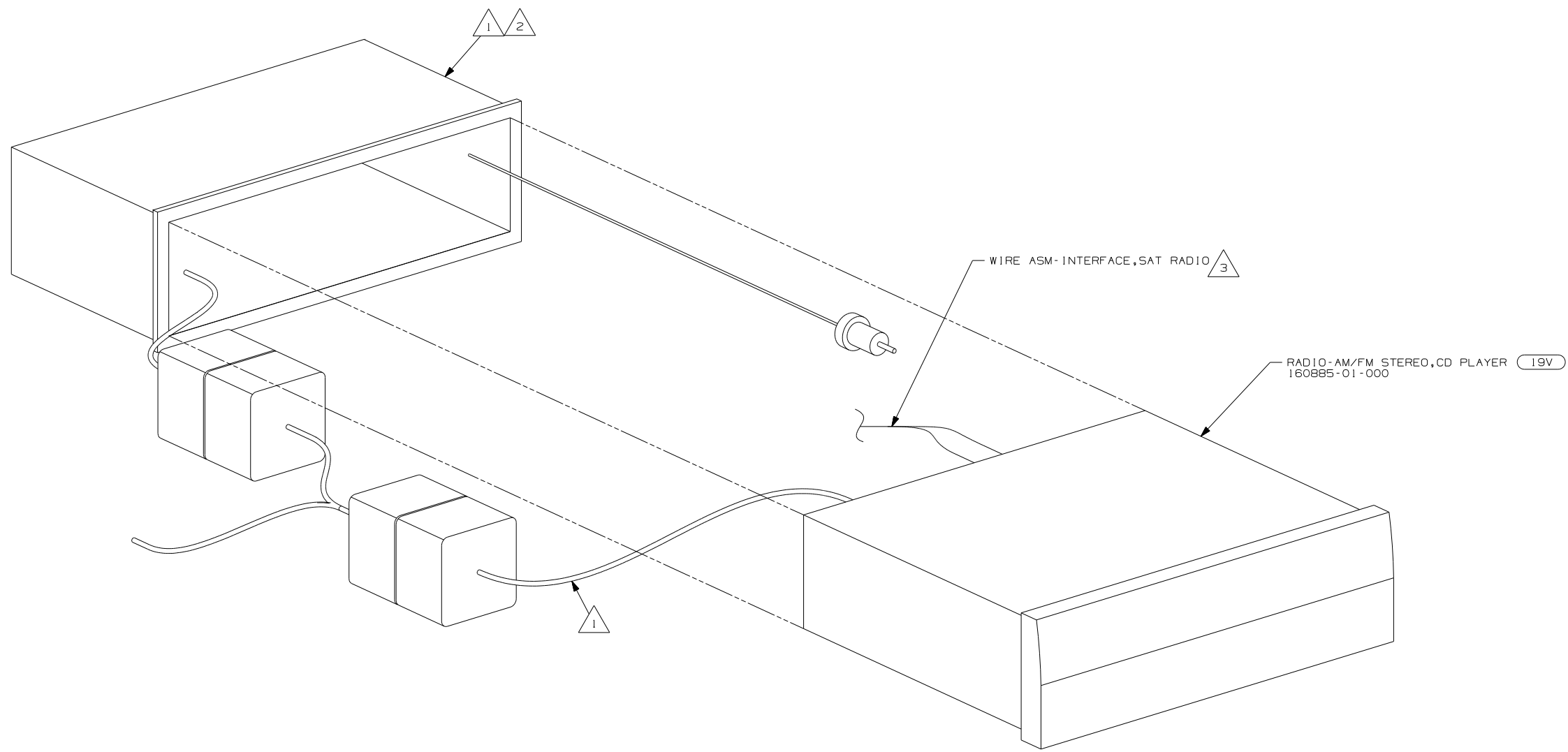
REF: 1 8/16/2006

- NOTES:
- 2 INSTALL REAR RADIO SUPPORT BRACKET, ENGAGING T-RAIL ON BOTTOM OF RADIO UNTIL LOCKED IN PLACE.
 - 1 BEND TABS ON ALL 4 SIDES TO SECURE RADIO MOUNTING BRACKET TO DASH MOUNTING BRACKET.



- NOTES:
- 4 INSTALL IN DASH BEZEL WITH SUPPLIED NUT. SEE 156935 FOR LOCATION.
 - 3 INSTALL ON STEERING WHEEL PER DRAWING 156935.
 - 2 TO BE SUPPLIED IN WINNEBAGOS OWNERS CASE
 - 1 INSTALL REAR RADIO SUPPORT BRACKET, ENGAGING T-RAIL ON BOTTOM OF RADIO UNTIL LOCKED IN PLACE.

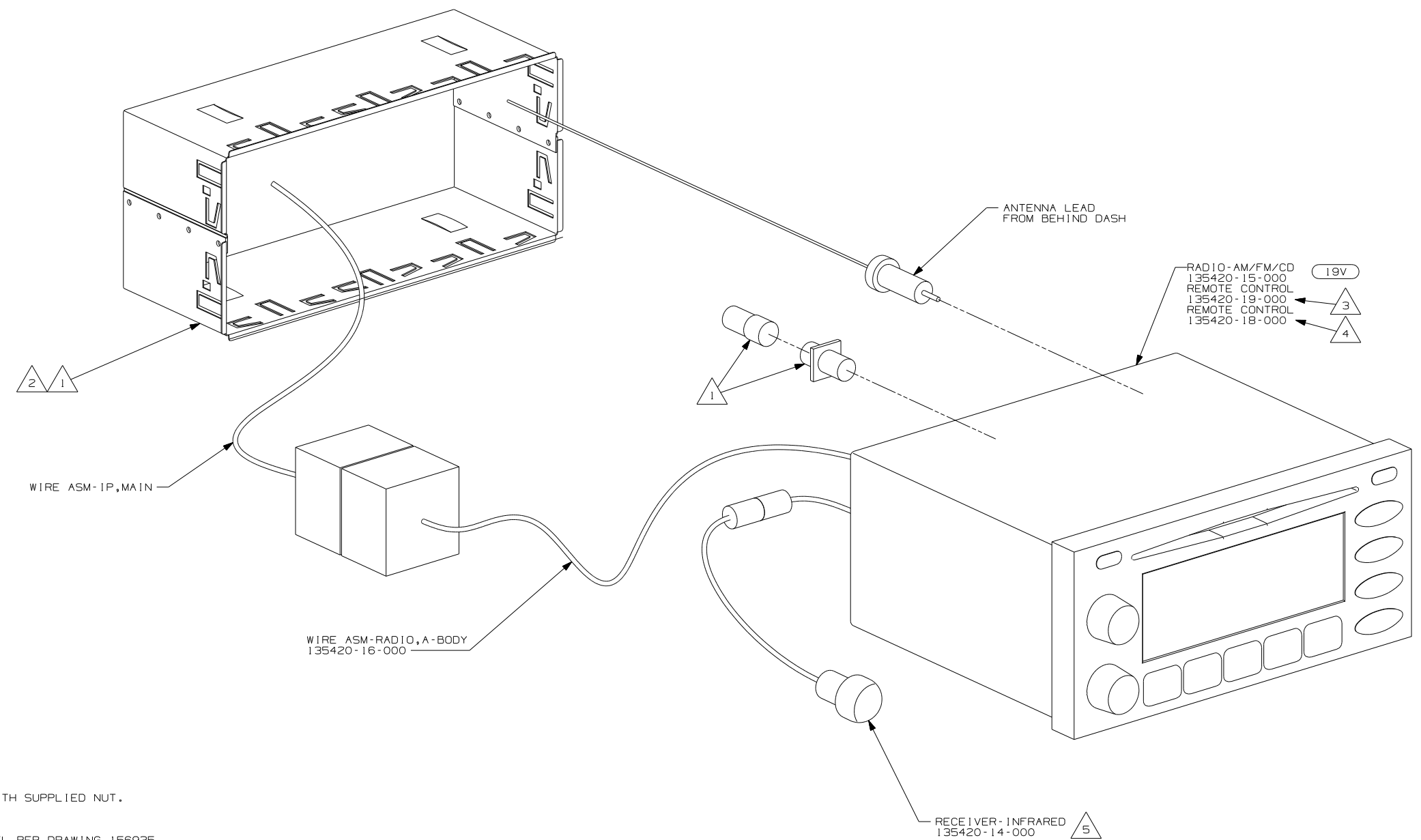
19V	RADIO-AM/FM STEREO CD PLAYER (FORD CHASSIS ONLY)	
FIRST USED	07 MOTORHOMES	
TITLE:	DO NOT SCALE DRAWING	
	RADIO INSTL	
SHEET 2	PART NO 156331	REV



- NOTES:
- 3 TO SATELLITE RECEIVER. SEE ANTENNA INSTL-RADIO & CB FOR ADDITIONAL INFORMATION.
 - 2 BEND TABS ON ALL 4 SIDES TO SECURE MOUNTING BRACKET TO DASH OPENING.
 - 1 SUPPLIED WITH RADIO

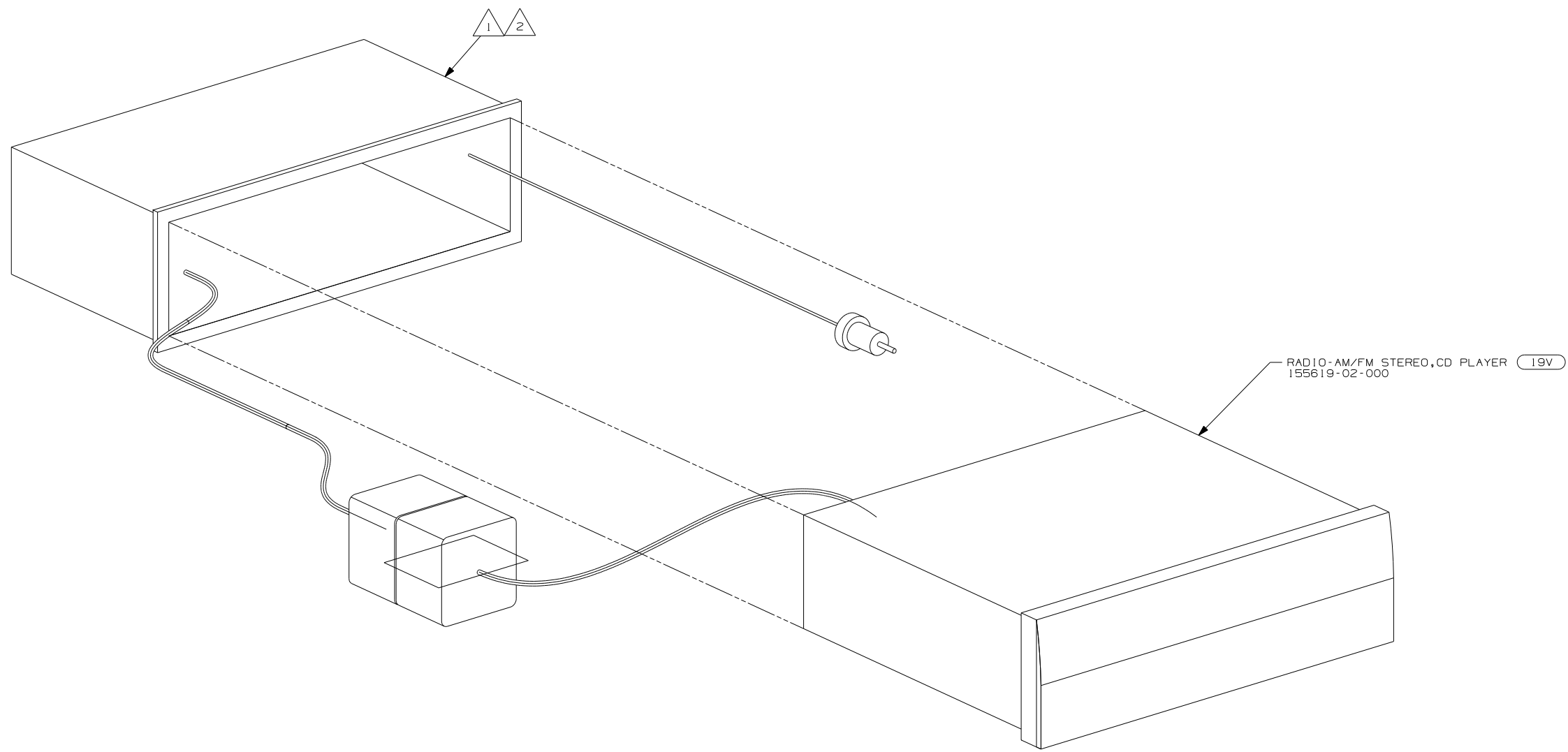
19V RADIO-AM/FM STEREO CD PLAYER

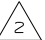

FIRST USED		07 MOTORHOMES	
DO NOT SCALE DRAWING			
TITLE: RADIO INSTL			
SHEET	PART NO	156331	REV



- NOTES:
- 5 INSTALL IN DASH BEZEL WITH SUPPLIED NUT. SEE 156935 FOR LOCATION.
 - 4 INSTALL ON STEERING WHEEL PER DRAWING 156935.
 - 3 TO BE SUPPLIED IN WINNEBAGOS OWNERS CASE
 - 2 BEND TABS ON ALL 4 SIDES TO SECURE MOUNTING BRACKET TO DASH OPENING.
 - 1 SUPPLIED WITH MOUNTING KIT 135420-07-000

19V RADIO-AM/FM STEREO CD PLAYER	
FIRST USED 07 MOTORHOMES	
DO NOT SCALE DRAWING	
TITLE: RADIO INSTL	
SHEET 4	PART NO 156331 REV



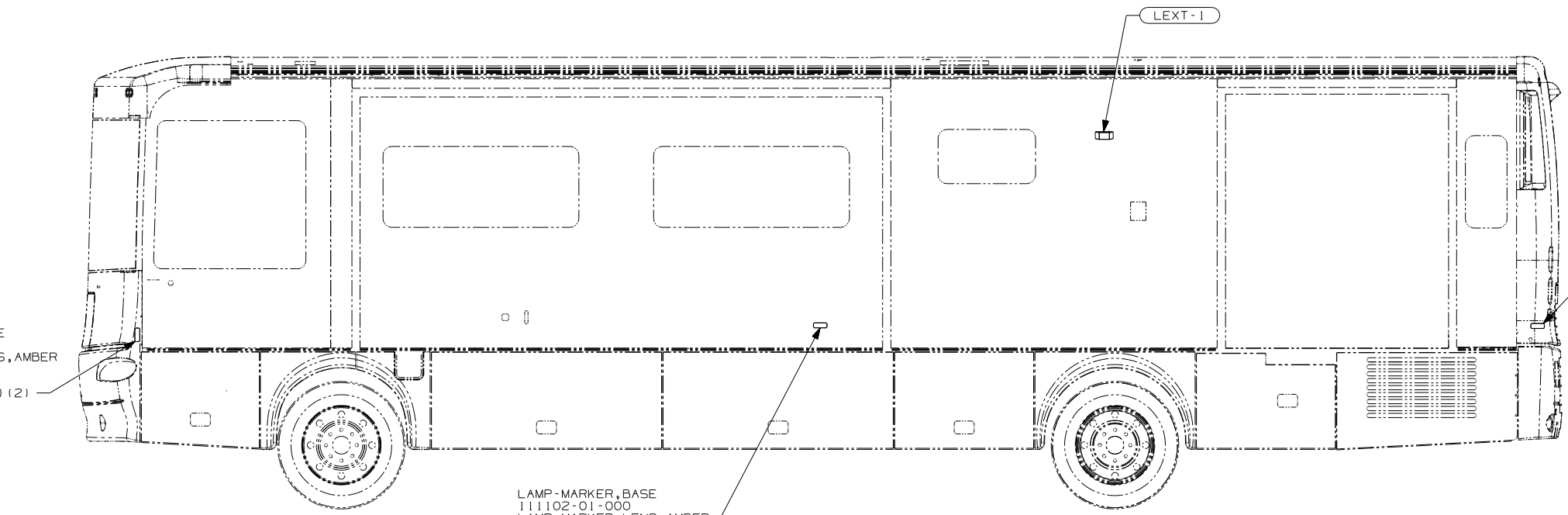
- NOTES:
-  BEND TABS ON ALL 4 SIDES TO SECURE MOUNTING BRACKET TO DASH OPENING.
 -  SUPPLIED WITH RADIO

(19V) RADIO-AM/FM STEREO CD PLAYER

FIRST USED	07 MOTORHOMES		
TITLE	DO NOT SCALE DRAWING		
SHEET	PART NO	REV	
	156331		

DRAWING NO.	
156374-01	(WIN)
156374-02	(ITA)

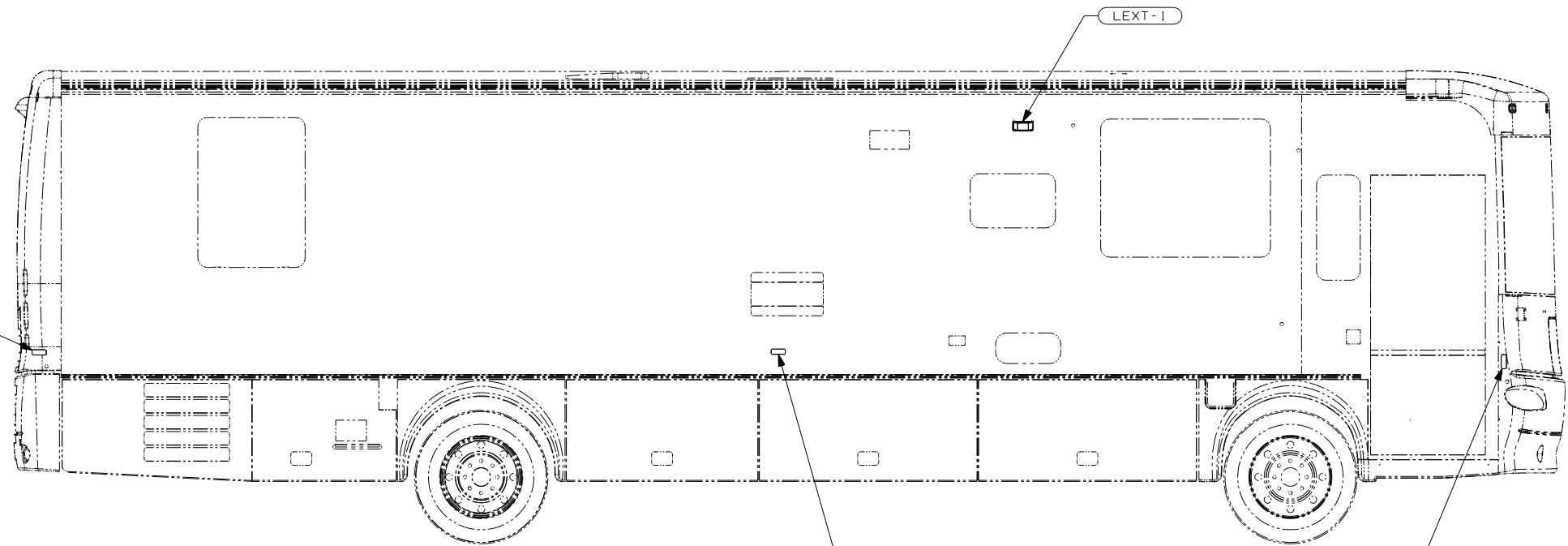
RELEASE	REV/DATE	DWG NO
A		156374
REV ZONE	REVISION RECORD	DATE
		DFT-016



LAMP-MARKER, BASE
111102-01-000
LAMP-MARKER, LENS, RED
111102-03-000
SCREW
611-08-12U (EXT) (2)
CONNECTOR
5802B-01-000 (4)

LAMP-MARKER, BASE
111102-01-000
LAMP-MARKER, LENS, AMBER
111102-02-000
SCREW
611-08-12U (EXT) (2)

LAMP-MARKER, BASE
111102-01-000
LAMP-MARKER, LENS, AMBER
111102-02-000
SCREW
611-08-12U (EXT) (2)
CONNECTOR
5802B-01-000 (4)



(265) CODES/STANDARDS-CSA/CMVSS
(1B1) CODES/STANDARDS USA

(1B1) (265)

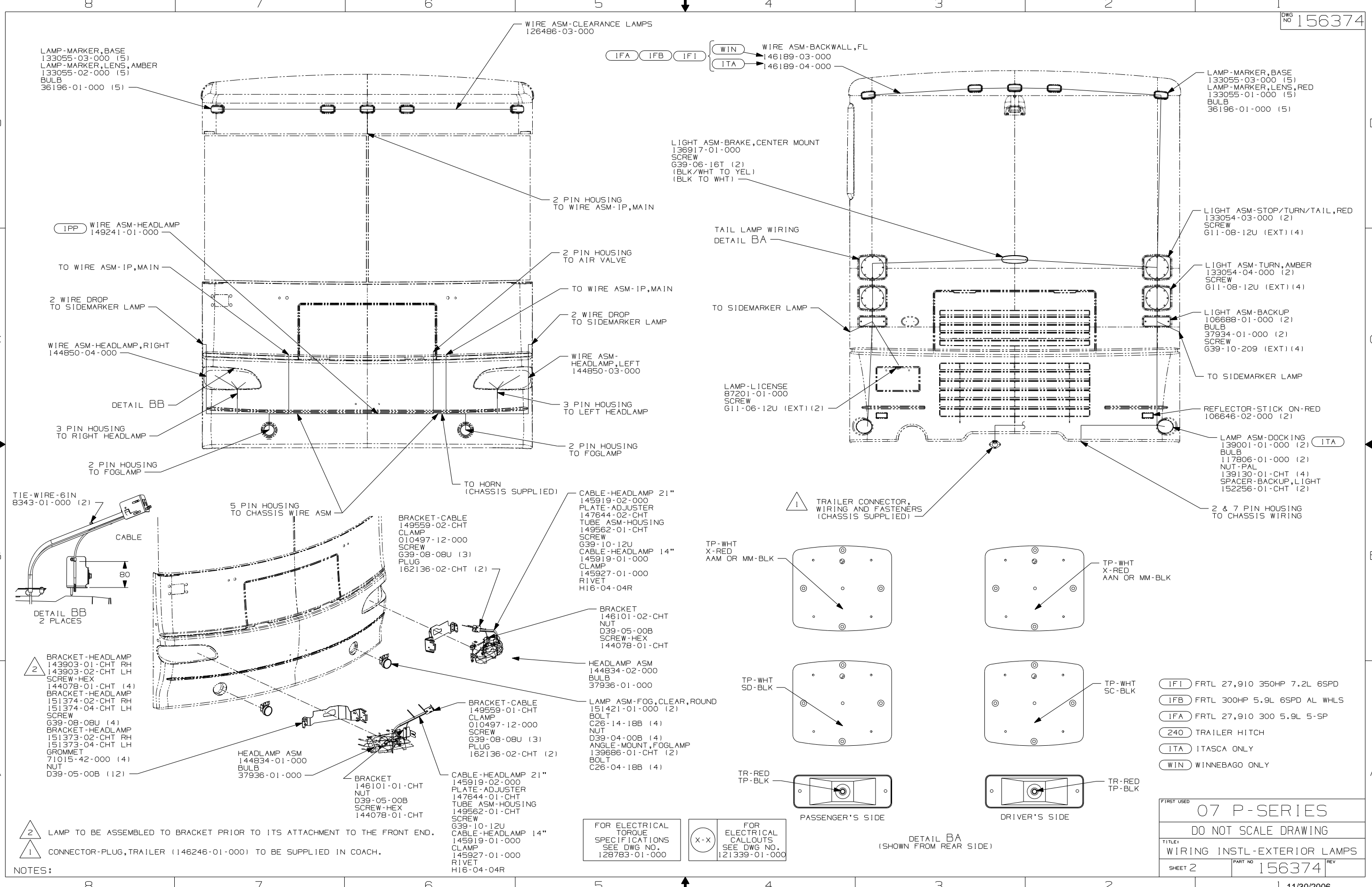


DFT	ORIG. DATE
CHKR	ALL DIMENSIONS ARE IN MILLIMETERS
P.E.	
M.E.	FIRST USED
DSNR	07 P-SERIES
UNSPECIFIED TOLERANCES ARE:	MATERIAL:
WHOLE DIM (X) :	
ONE-PLACE (X.X) :	
TWO-PLACE (X.XX) :	
ANGLE :	
THIRD ANGLE PROJECTION	

FOR ELECTRICAL TORQUE SPECIFICATIONS SEE DWG NO. 128783-01-000

(X-X) FOR ELECTRICAL CALLOUTS SEE DWG NO. 121339-01-000

DO NOT SCALE DRAWING	
TITLE:	WIRING INSTL-EXTERIOR LAMPS
SHEET 1 of 2	PART NO 156374
REF:	1 11/30/2006



LAMP-MARKER, BASE
133055-03-000 (5)
LAMP-MARKER, LENS, AMBER
133055-02-000 (5)
BULB
36196-01-000 (5)

LAMP-MARKER, BASE
133055-03-000 (5)
LAMP-MARKER, LENS, RED
133055-01-000 (5)
BULB
36196-01-000 (5)

LIGHT ASM-BRAKE, CENTER MOUNT
136917-01-000
SCREW
G39-06-16T (2)
(BLK/WHT TO YEL)
(BLK TO WHT)

LIGHT ASM-STOP/TURN/TAIL, RED
133054-03-000 (2)
SCREW
G11-08-12U (EXT) (4)

LIGHT ASM-TURN, AMBER
133054-04-000 (2)
SCREW
G11-08-12U (EXT) (4)

LIGHT ASM-BACKUP
106688-01-000 (2)
BULB
37934-01-000 (2)
SCREW
G39-10-209 (EXT) (4)

REFLECTOR-STICK ON-RED
106646-02-000 (2)

LAMP ASM-DOCKING
139001-01-000 (2)
BULB
117806-01-000 (2)
NUT-PAL
139130-01-CHT (4)
SPACER-BACKUP, LIGHT
152256-01-CHT (2)

LAMP-LICENSE
87201-01-000
SCREW
G11-06-12U (EXT) (2)

TP-WHT
X-RED
AAM OR MM-BLK

TP-WHT
X-RED
AAN OR MM-BLK

TP-WHT
SD-BLK

TP-WHT
SC-BLK

TR-RED
TP-BLK

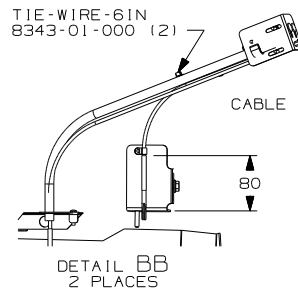
TR-RED
TP-BLK

TRAILER CONNECTOR,
WIRING AND FASTENERS
(CHASSIS SUPPLIED)

DETAIL BA
(SHOWN FROM REAR SIDE)

FOR ELECTRICAL
TORQUE
SPECIFICATIONS
SEE DWG NO.
128783-01-000

FOR ELECTRICAL
CALLOUTS
SEE DWG NO.
121339-01-000



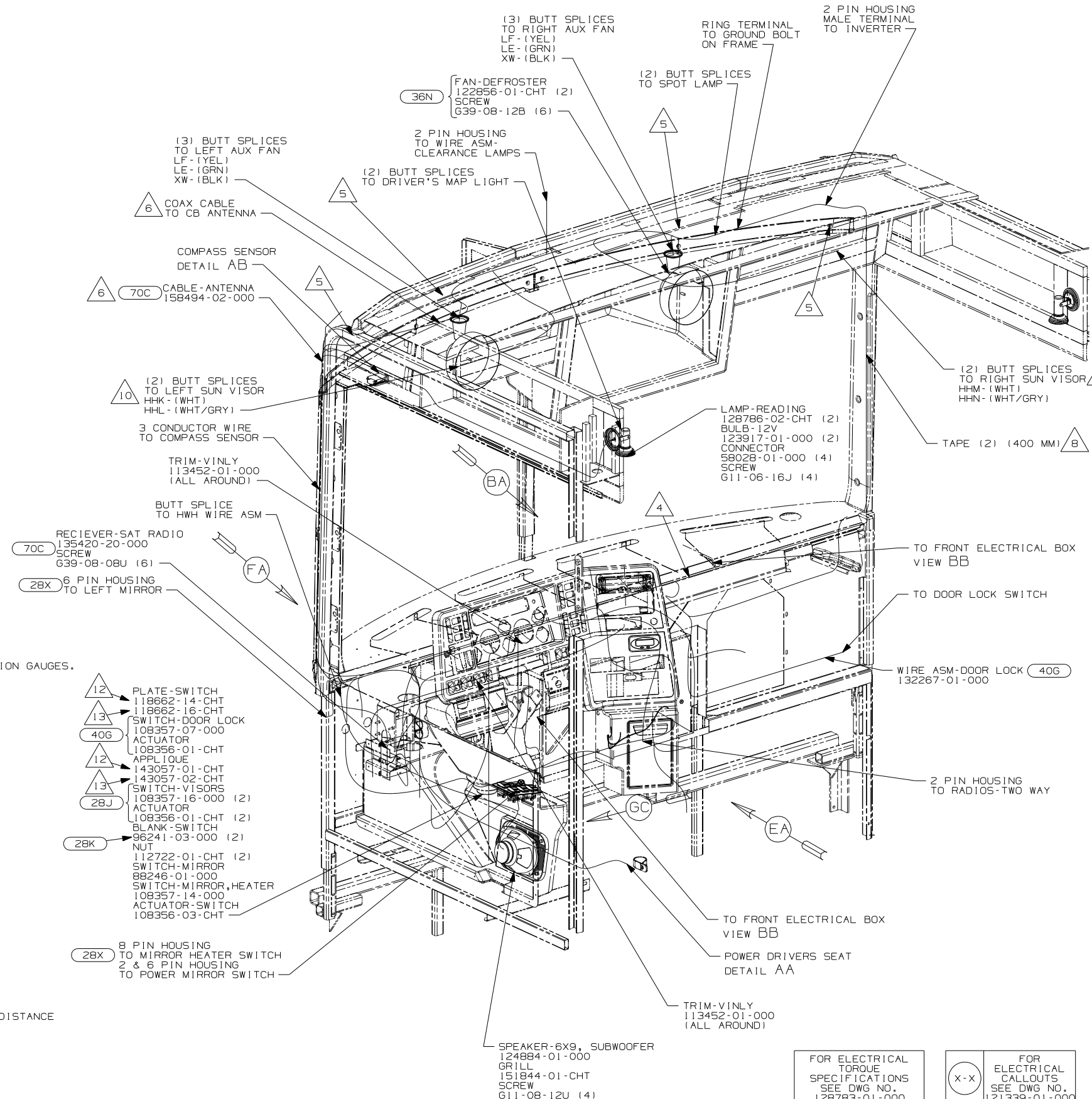
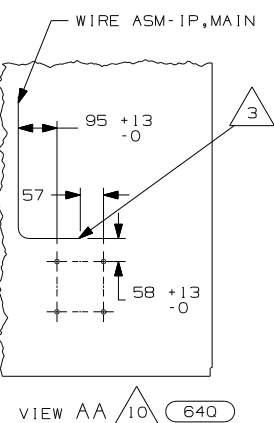
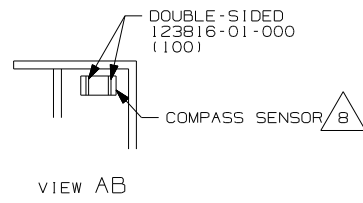
BRACKET-HEADLAMP
143903-01-CHT RH
143903-02-CHT LH
SCREW-HEX
144078-01-CHT (4)
BRACKET-HEADLAMP
151374-02-CHT RH
151374-04-CHT LH
SCREW
G39-08-08U (4)
BRACKET-HEADLAMP
151373-02-CHT RH
151373-04-CHT LH
GROMMET
71015-42-000 (4)
NUT
D39-05-00B (12)

NOTES:
2 LAMP TO BE ASSEMBLED TO BRACKET PRIOR TO ITS ATTACHMENT TO THE FRONT END.
1 CONNECTOR-PLUG, TRAILER (146246-01-000) TO BE SUPPLIED IN COACH.

FIRST USED		07 P-SERIES	
DO NOT SCALE DRAWING			
TITLE: WIRING INSTL-EXTERIOR LAMPS			
SHEET 2	PART NO	156374	REV

DRAWING NO.	FEATURE
157298-01	(WIN)
157298-02	(ITA)

RELEASE	REV/DATE	DWG NO	157298
REV ZONE	REVISION RECORD	DATE	DFTR-016



- 13 FREIGHTLINER CHASSIS (JOB 2) WITH POLLAK GAUGES. SEE 2007 CHASSIS MATRIX FOR ADDITIONAL INFORMATION.
- 12 FREIGHTLINER CHASSIS (START OF PRODUCTION) WITH MEDALLION GAUGES. SEE 2007 CHASSIS MATRIX FOR ADDITIONAL INFORMATION.
- 11 CABLE SUPPLIED WITH SATELLITE RADIO RECIEVER. PLUG INTO BACK OF RADIO AND TIE TO IP,MAIN.
- 10 CUT VISOR WIRING TO 300MM BEFORE CONNECTING.
- 9 WITHOUT (64J) OR (64Q), COIL WIRE AND TIE BACK WITH MAIN LOOM.
- 8 USE TAPE 136748-01-000 TO SECURE WIRES IN A-POST.
- 7 MOUNT SENSOR WITH DOUBLE SIDED TAPE IN BOTTOM OF SIDE OVHD SO THAT SENSOR FACES FORWARD AS STATED ON SENSOR LABEL.
- 6 SEE ANTENNA INSTL-CB FOR ADDITIONAL INFORMATION..
- 5 USE TIE WIRE MOUNT 92901-01-000 AND TIE-WIRE 93147-01-000 TO SECURE WIRE ASM-IP,MAIN.
- 4 USE TAPE 8363-01-000 TO SECURE WIRE ASM-IP,MAIN CHASSIS SUPPLIED WIRE ASM-IP, CRUISE WIRING AND HEATER A/C WIRES TOGETHER EVERY 300 IN THIS AREA AFTER ROUTING AND MAKING ALL CONNECTIONS.
- 3 WIRE ASM MAY BE ROUTED ON EITHER SIDE OF HOLE PATTERN DISTANCE SHOWN AT END POINT OF PATH. LEAVE 675± 50MM OF WIRE.

- 2. USE SEAL-TRIM 113452-01-000 TO PROTECT WIRES FROM SHARP EDGES.
- 1. FOR ADDITIONAL INFORMATION SEE WIRING INSTL-CHASSIS.

- 70C RADIO - SATELLITE
- 64Q SEAT PED-6-WAY POWER DRIVER
- 40G POWER DOOR LOCK WITH REMOTE
- 36N FANS-DEFROSTER, AUXILLARY
- 28X MIRRORS-EXTERIOR W/DEFROST
- 28K SUNVISORS - MANUAL (2)
- 28J SUNVISORS - POWERED (2)
- 265 CODES/STANDARDS-CSA/CMVSS
- 1B1 CODES/STANDARDS USA

- 12 PLATE-SWITCH 11862-14-CHT
- 13 SWITCH-DOOR LOCK 11862-16-CHT
- 40G ACTUATOR 108357-07-000
- 12 ACTUATOR 108356-01-CHT
- 12 APPLIQUE 143057-01-CHT
- 13 SWITCH-VISORS 143057-02-CHT
- 28J ACTUATOR 108357-16-000 (2)
- 12 ACTUATOR 108356-01-CHT (2)
- 28K BLANK-SWITCH 96241-03-000 (2)
- 12 NUT 112722-01-CHT (2)
- 13 SWITCH-MIRROR 88246-01-000
- 28K SWITCH-MIRROR, HEATER 108357-14-000
- 12 ACTUATOR-SWITCH 108356-03-CHT

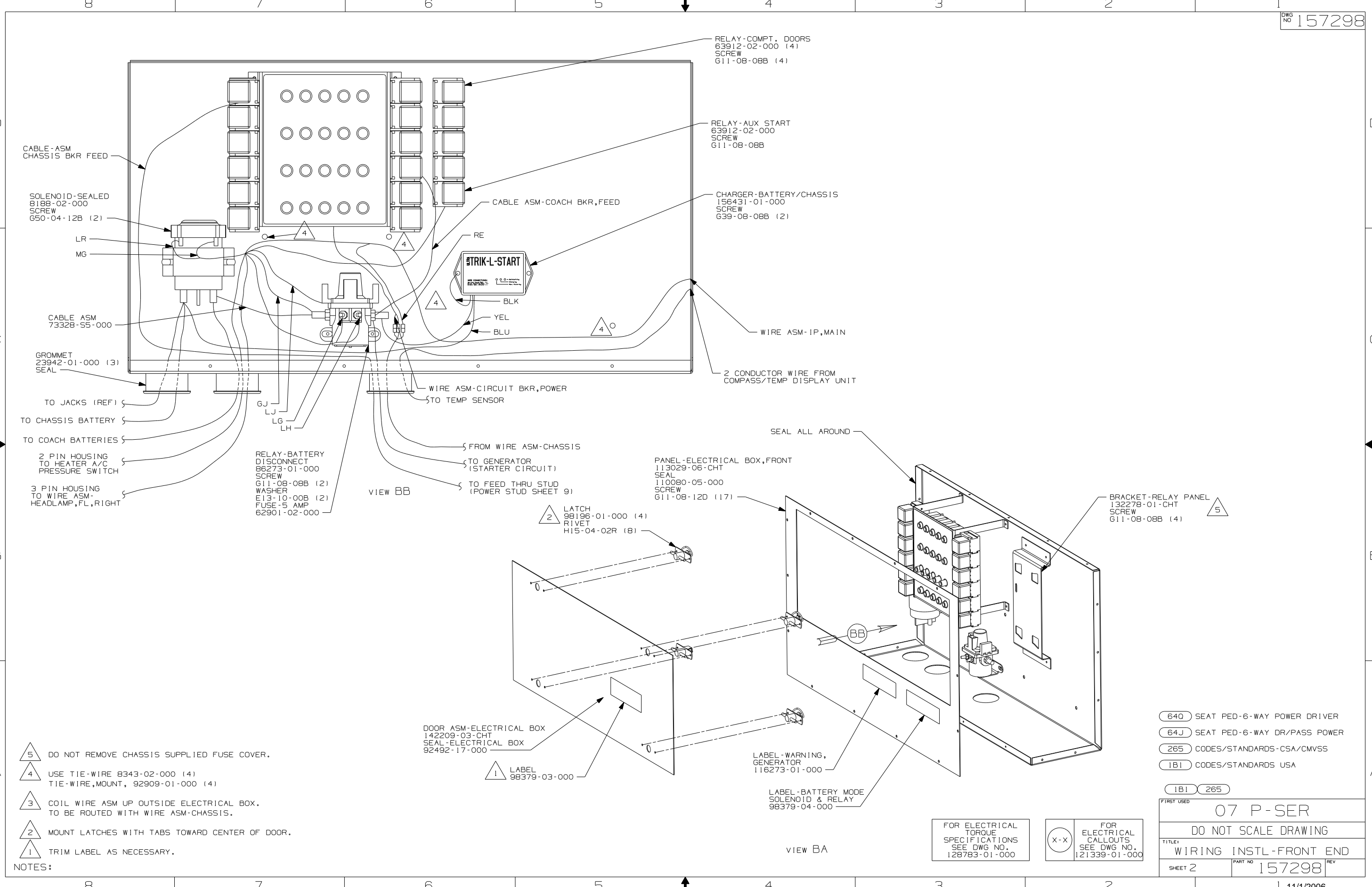
- 28X 8 PIN HOUSING TO MIRROR HEATER SWITCH
- 2 & 6 PIN HOUSING TO POWER MIRROR SWITCH

WINNEBAGO		COPYRIGHT 2006 WINNEBAGO INDUSTRIES, INC.	
DFTR	ORIG. DATE	ALL DIMENSIONS ARE IN MILLIMETERS	
CHKR		FIRST USED	
P.E.		07 P-SER	
M.E.		UNSPECIFIED TOLERANCES ARE:	
DSNR		MATERIAL:	
		WHOLE DIM (X)	: 3
		ONE-PLACE (X.X)	: 1.5
		TWO-PLACE (X.XX)	: 0.50
		ANGLE	: 1°
THIRD ANGLE PROJECTION			

FOR ELECTRICAL TORQUE SPECIFICATIONS SEE DWG NO. 128783-01-000

FOR ELECTRICAL CALLOUTS SEE DWG NO. 121339-01-000

DO NOT SCALE DRAWING	
TITLE:	WIRING INSTL-FRONT END
SHEET 1 OF 8	PART NO 157298 REV
REF:	1 11/1/2006



CABLE-ASM CHASSIS BKR FEED

SOLENOID-SEALED 8188-02-000 SCREW 650-04-12B (2)

LR

MG

CABLE ASM 73328-55-000

GROMMET 23942-01-000 (3) SEAL

TO JACKS (REF)

TO CHASSIS BATTERY

TO COACH BATTERIES

2 PIN HOUSING TO HEATER A/C PRESSURE SWITCH

3 PIN HOUSING TO WIRE ASM- HEADLAMP, FL, RIGHT

RELAY-BATTERY DISCONNECT 86273-01-000 SCREW 611-08-08B (2) WASHER E13-10-00B (2) FUSE-5 AMP 62901-02-000

RELAY-COMPT. DOORS 63912-02-000 (4) SCREW 611-08-08B (4)

RELAY-AUX START 63912-02-000 SCREW 611-08-08B

CHARGER-BATTERY/CHASSIS 156431-01-000 SCREW 639-08-08B (2)

CABLE ASM-COACH BKR,FEED

RE

BLK

YEL

BLU

WIRE ASM-IP,MAIN

2 CONDUCTOR WIRE FROM COMPASS/TEMP DISPLAY UNIT

WIRE ASM-CIRCUIT BKR,POWER

TO TEMP SENSOR

FROM WIRE ASM-CHASSIS

TO GENERATOR (STARTER CIRCUIT)

TO FEED THRU STUD (POWER STUD SHEET 9)

PANEL-ELECTRICAL BOX,FRONT 113029-06-CHT SEAL 110080-05-000 SCREW 611-08-12D (17)

LATCH 98196-01-000 (4) RIVET H15-04-02R (8)

SEAL ALL AROUND

BRACKET-RELAY PANEL 132278-01-CHT SCREW 611-08-08B (4)

DOOR ASM-ELECTRICAL BOX 142209-03-CHT SEAL-ELECTRICAL BOX 92492-17-000

LABEL 98379-03-000

LABEL-WARNING, GENERATOR 116273-01-000

LABEL-BATTERY MODE SOLENOID & RELAY 98379-04-000

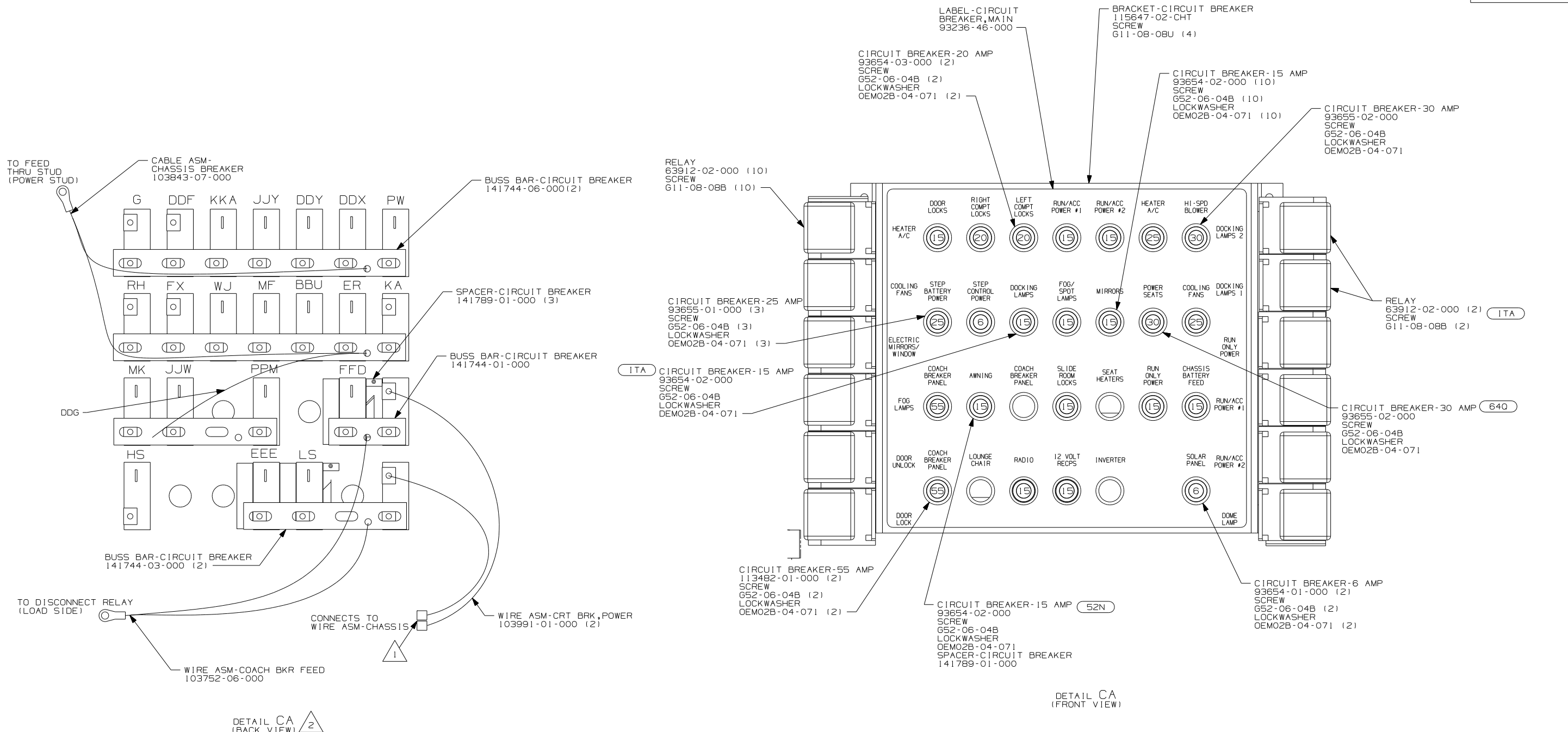
- NOTES:
- 5 DO NOT REMOVE CHASSIS SUPPLIED FUSE COVER.
 - 4 USE TIE-WIRE 8343-02-000 (4) TIE-WIRE,MOUNT, 92909-01-000 (4)
 - 3 COIL WIRE ASM UP OUTSIDE ELECTRICAL BOX. TO BE ROUTED WITH WIRE ASM-CHASSIS.
 - 2 MOUNT LATCHES WITH TABS TOWARD CENTER OF DOOR.
 - 1 TRIM LABEL AS NECESSARY.

FOR ELECTRICAL TORQUE SPECIFICATIONS SEE DWG NO. 128783-01-000

FOR ELECTRICAL CALLOUTS SEE DWG NO. 121339-01-000

- 640 SEAT PED-6-WAY POWER DRIVER
- 64J SEAT PED-6-WAY DR/PASS POWER
- 265 CODES/STANDARDS-CSA/CMVSS
- 1B1 CODES/STANDARDS USA

FIRST USED	07 P-SER	
TITLE:	DO NOT SCALE DRAWING	
	WIRING INSTL-FRONT END	
SHEET 2	PART NO	157298
	REV	



NOTES:

2 CIRCUITS LABELED ON BREAKER ARE FROM WIRE ASM-IP,MAIN UNLESS OTHERWISE NOTED.

1 CONNECT HOUSINGS TOGETHER.

(ITA) ITASCA ONLY

(640) SEAT PED-6-WAY POWER DRIVER

(40G) POWER DOOR LOCK WITH REMOTE

(52N) AWNING - PATIO, ELECTRIC

(265) CODES/STANDARDS-CSA/CMVSS

(1B1) CODES/STANDARDS USA

(1B1) (265)

FIRST USED 07 P-SER

DO NOT SCALE DRAWING

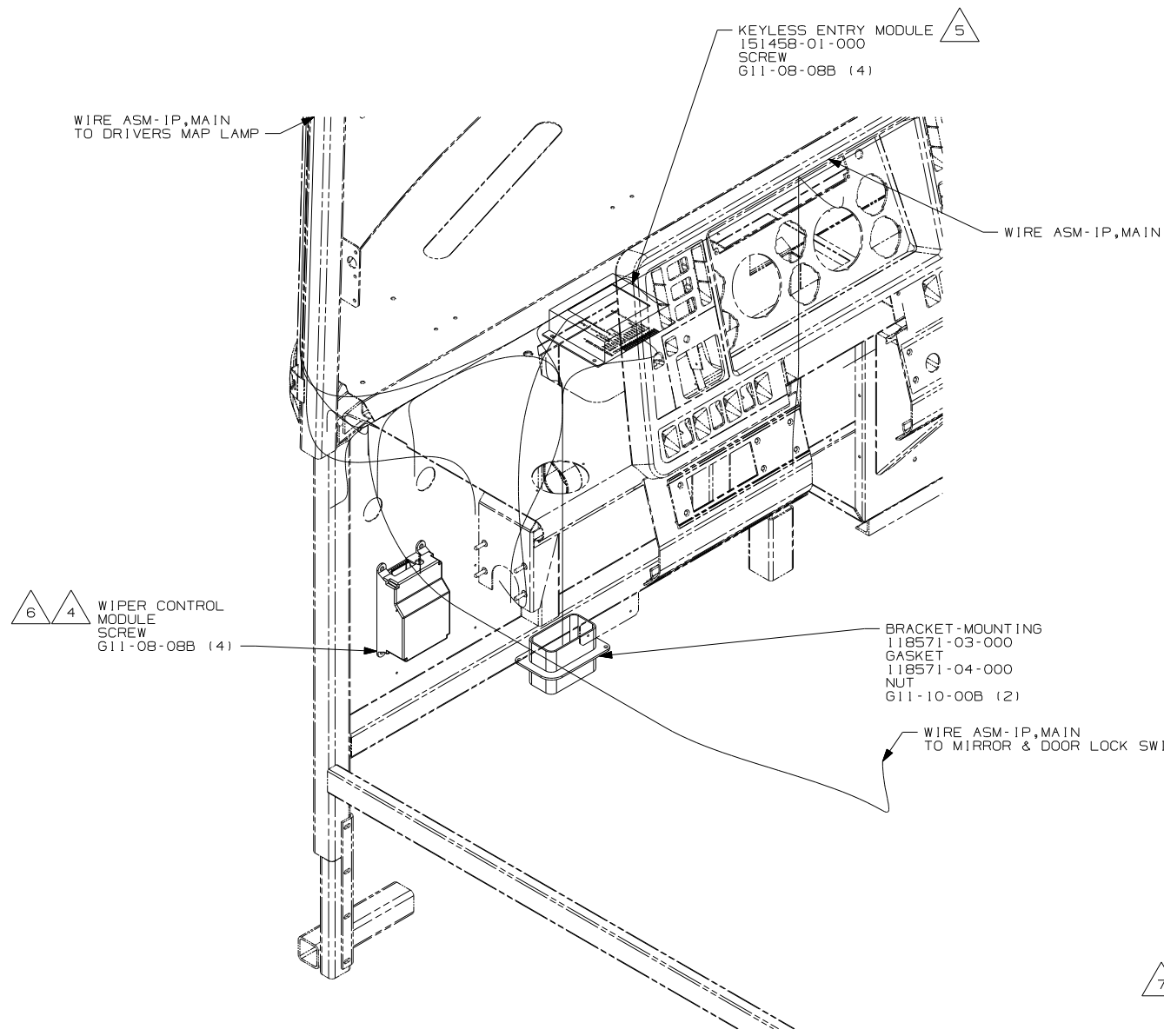
TITLE: WIRING INSTL-FRONT END

SHEET 3 PART NO 157298 REV

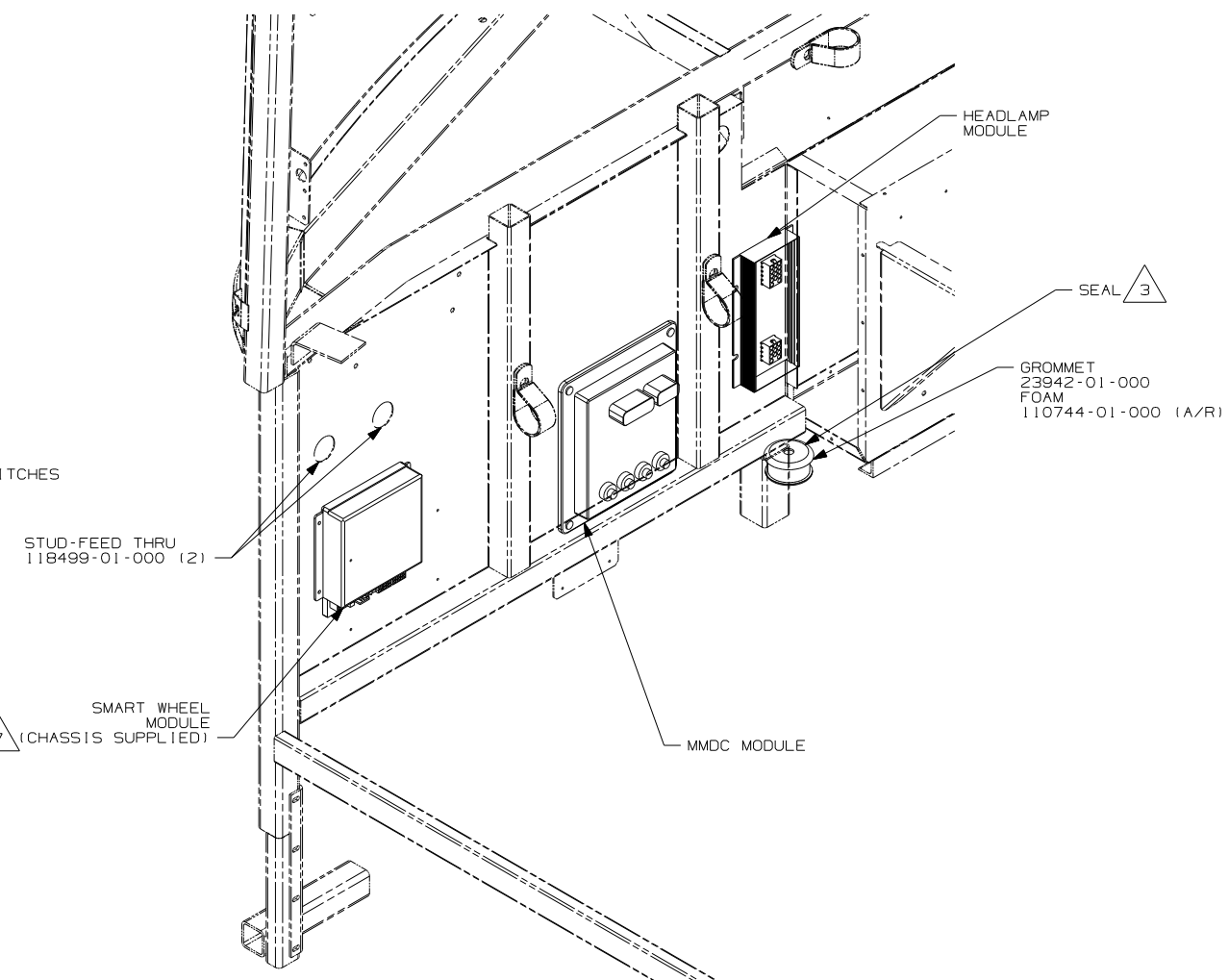
FOR ELECTRICAL TORQUE SPECIFICATIONS SEE DWG NO. 128783-01-000

FOR ELECTRICAL CALLOUTS SEE DWG NO. 121339-01-000

11/1/2006



VIEW DA
(WINNEBAGO WIRING SHOWN)



VIEW DA
(CHASSIS WIRING SHOWN)

- △ 7 2006 IF1 OR 1LC CHASSIS
- △ 6 2006 1FA CHASSIS & ALL 2007 CHASSIS
- △ 5 MOUNT TO PLENUM PANEL AS SHOWN.
- △ 4 SEE WIPER CONTROL INFORMATION FOR INSTALLATION INSTRUCTION.
- △ 3 ROUTE PARK BRAKE VALVE AND AIR LINES FOR DASH GAUGES THRU HERE. COVER WITH CONVOLUTE TUBING 41953 WHERE VISIBLE.
- △ 2 DO NOT USE SEAT BELT 2 PIN HOUSING.

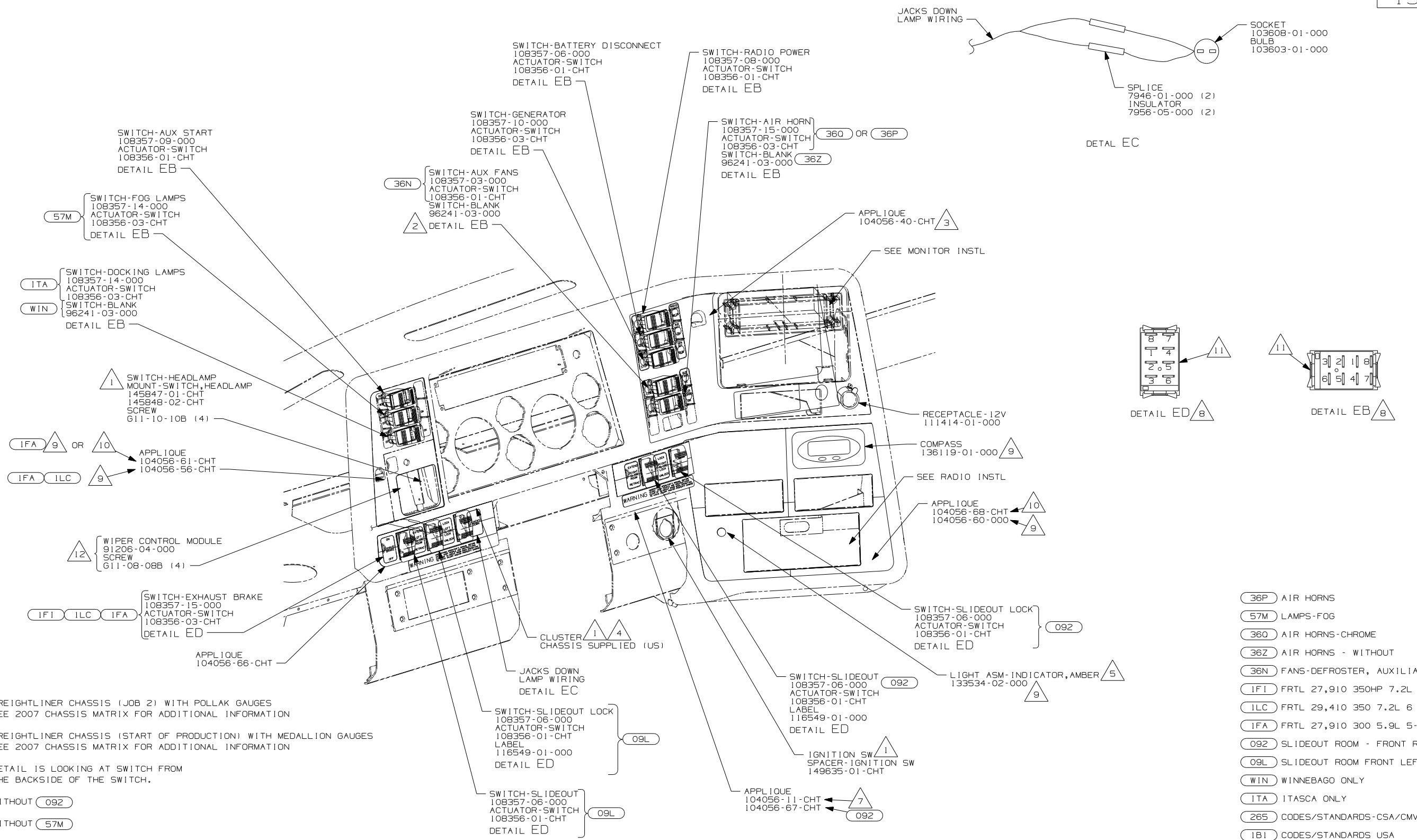
NOTES:
1. BUNDLE AND SECURE ALL EXCESS WIRE.

- (1F1) FRTL 27,910 350HP 7.2L 6SPD
- (1LC) FRTL 29,410 350 7.2L 6 SPEED
- (1FA) FRTL 27,910 300 5.9L 5-SP
- (265) CODES/STANDARDS-CSA/CMVSS
- (1B1) CODES/STANDARDS USA

FIRST USED	07 P-SER
TITLE	DO NOT SCALE DRAWING
	WIRING INSTL-FRONT END
SHEET 4	PART NO 157298 REV

FOR ELECTRICAL TORQUE SPECIFICATIONS SEE DWG NO. 128783-01-000

(X-X) FOR ELECTRICAL CALLOUTS SEE DWG NO. 121339-01-000



- 10 FREIGHTLINER CHASSIS (JOB 2) WITH POLLAK GAUGES
WEE 2007 CHASSIS MATRIX FOR ADDITIONAL INFORMATION
- 9 FREIGHTLINER CHASSIS (START OF PRODUCTION) WITH MEDALLION GAUGES
SEE 2007 CHASSIS MATRIX FOR ADDITIONAL INFORMATION
- 8 DETAIL IS LOOKING AT SWITCH FROM
THE BACKSIDE OF THE SWITCH.
- 7 WITHOUT (092)
- 6 WITHOUT (57M)
- 5 CONNECT POSITIVE WIRE (YEL) TO TERMINAL MARKED WITH A "+"
- 4 SEE DETAIL GA FOR INSTRUMENT CLUSTER ASSEMBLY INSTRUCTIONS.
- 3 COVER CLEAR LEGEND ON BEZEL WITH FILM 77031-01-000 (BLANK).
- 2 WITHOUT (36N)
- 1 CHASSIS SUPPLIED.

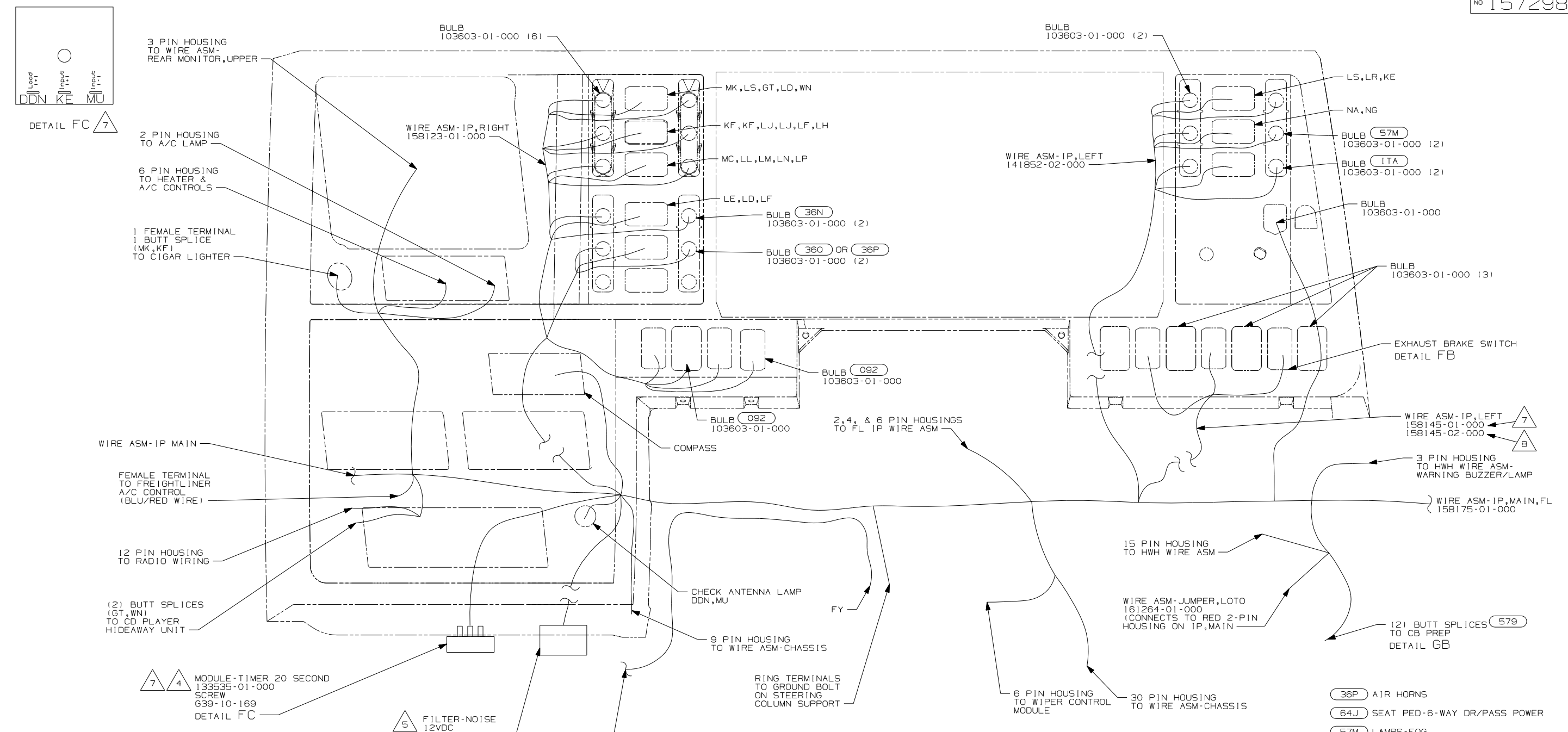
- (36P) AIR HORNS
- (57M) LAMPS-FOG
- (360) AIR HORNS-CHROME
- (36Z) AIR HORNS - WITHOUT
- (36N) FANS-DEFROSTER, AUXILIARY
- (IF1) FRTL 27,910 350HP 7.2L 6SPD
- (ILC) FRTL 29,410 350 7.2L 6 SPEED
- (IFA) FRTL 27,910 300 5.9L 5-SP
- (092) SLIDEOUT ROOM - FRONT RIGHT
- (09L) SLIDEOUT ROOM FRONT LEFT
- (WIN) WINNEBAGO ONLY
- (ITA) ITASCA ONLY
- (265) CODES/STANDARDS-CSA/CMVSS
- (1B1) CODES/STANDARDS USA

NOTES:

FOR ELECTRICAL
TORQUE
SPECIFICATIONS
SEE DWG NO.
128783-01-000

(X-X)
FOR
ELECTRICAL
CALLOUTS
SEE DWG NO.
121339-01-000

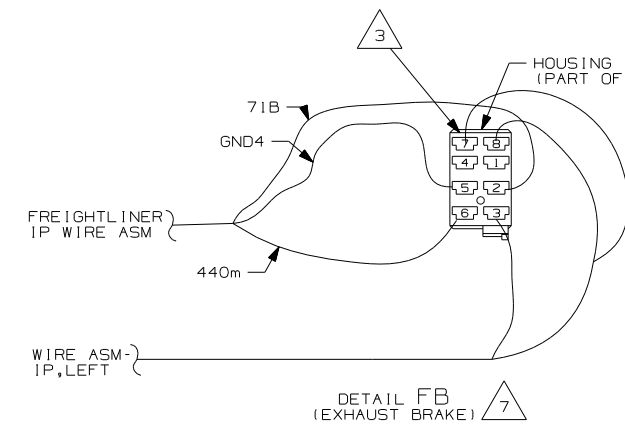
FIRST USED		07 P-SER	
DO NOT SCALE DRAWING			
TITLE: WIRING INSTL-FRONT END			
SHEET 5	PART NO	157298	REV



- 8 FREIGHTLINER CHASSIS (JOB 2) WITH POLLAK GAUGES SEE 2007 CHASSIS MATRIX FOR ADDITIONAL INFORMATION.
- 7 FREIGHTLINER CHASSIS (START OF PRODUCTION) WITH MEDALLION GAUGES SEE 2007 CHASSIS MATRIX FOR ADDITIONAL INFORMATION.
- 6. TAPE SLIDEROOM #3 SWITCH BACK INTO LOOM WITHOUT (092)
- 5 MOUNT ON TOP LEFT REAR CORNER OF PANEL-COVER, RADIATOR.
- 4 MOUNT ON TOP LEFT REAR CORNER OF PANEL-COVER, RADIATOR.
- 3 UNHOUSE EXHAUST BRAKE SWITCH HOUSING ON CHASSIS IP WIRE ASM. THEN REHOUSE TERMINALS IN HOUSING AS SHOWN.
- 2 CUT TERMINALS OFF FL WIRE ASSEMBLY AND BUTT SPLICE.
- 1 CHASSIS SUPPLIED.

NOTES:

(64J) WIRE ASM-POWER PASSENGER SEAT FROM FRONT ELECTRICAL BOX



DETAIL FB (EXHAUST BRAKE) 7

FOR ELECTRICAL TORQUE SPECIFICATIONS SEE DWG NO. 128783-01-000

(X-X) FOR ELECTRICAL CALLOUTS SEE DWG NO. 121339-01-000

- (36P) AIR HORNS
- (64J) SEAT PED-6-WAY DR/PASS POWER
- (57M) LAMPS-FOG
- (40J) CB RADIO PREP
- (360) AIR HORNS-CHROME
- (36N) FANS-DEFROSTER, AUXILIARY
- (092) SLIDEOUT ROOM - FRONT RIGHT
- (1TA) ITASCA ONLY
- (265) CODES/STANDARDS-CSA/CMVSS
- (1B1) CODES/STANDARDS USA

FIRST USED	
07 P-SER	
DO NOT SCALE DRAWING	
TITLE:	
WIRING INSTL-FRONT END	
SHEET 6	PART NO 157298 REV

8

7

6

5

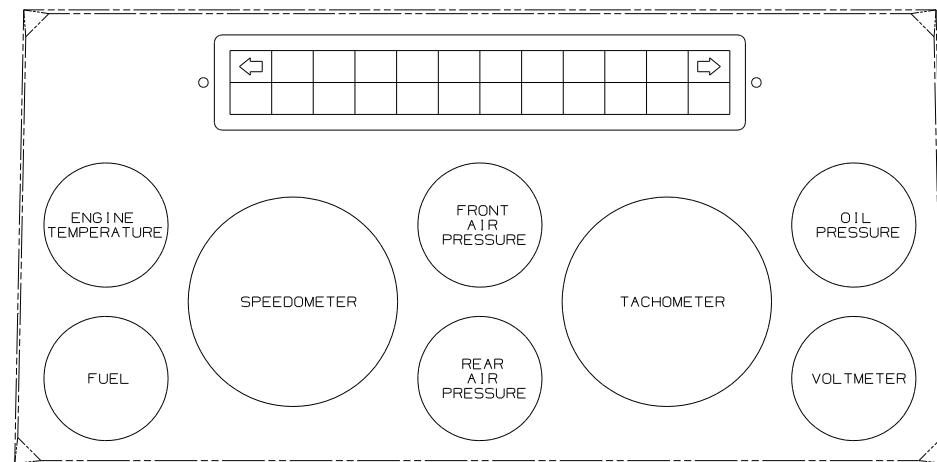
4

3

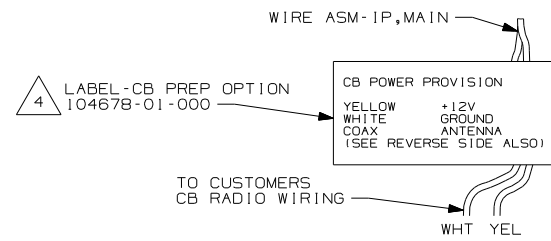
2

1

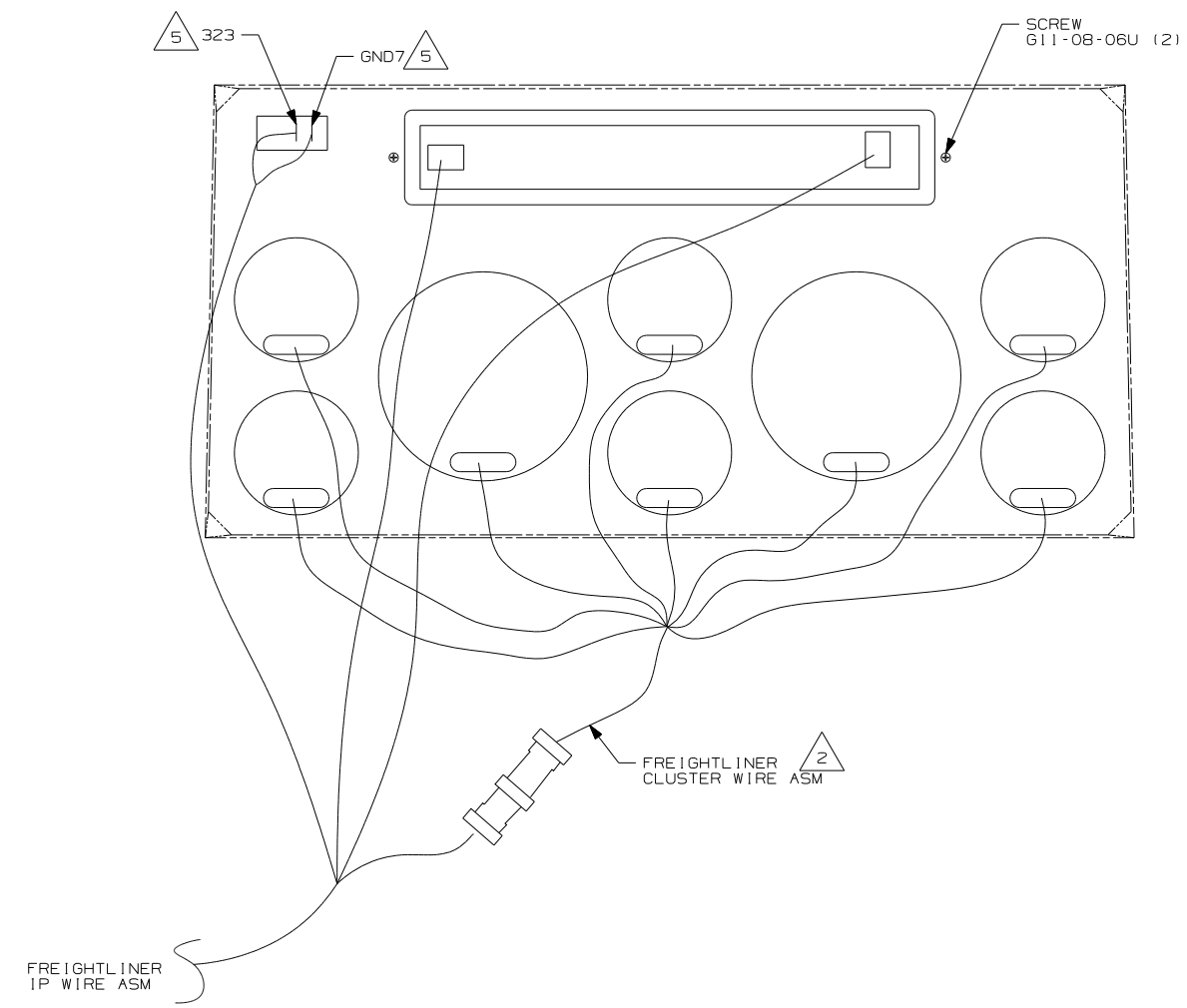
DWG NO



DETAIL GA 5
(GAUGE LAYOUT)



DETAIL GD 579



- 5 GAUGE LAYOUT IS SAME FOR BOTH MEDALLION AND POLLAK GAUGES
POLLAK GAUGES DO NOT HAVE "TRIP RESET" BUTTON
- 4 EDGE OF LABEL TO HANG JUST BELOW BOTTOM OF DASH.
- 3 CONNECT RED FROM CONNECTOR TO YELLOW IN IP,MAIN AND BLK/RED TO WHITE.
- 2 ANY PLUG ON CLUSTER WIRE ASM WILL FIT ANY GAUGE.

NOTES:
1. ALL GAUGES, RETAINER CLIPS AND FASTENERS ARE CHASSIS SUPPLIED.

- 579 RADIO - CB WIRE PREP
- 265 CODES/STANDARDS-CSA/CMVSS
- 1B1 CODES/STANDARDS USA

FIRST USED	
07 P-SER	
DO NOT SCALE DRAWING	
TITLE:	
WIRING INSTL-FRONT END	
SHEET 7	PART NO 157298

FOR ELECTRICAL
TORQUE
SPECIFICATIONS
SEE DWG NO.
128783-01-000

FOR ELECTRICAL
CALLOUTS
SEE DWG NO.
121339-01-000

8

7

6

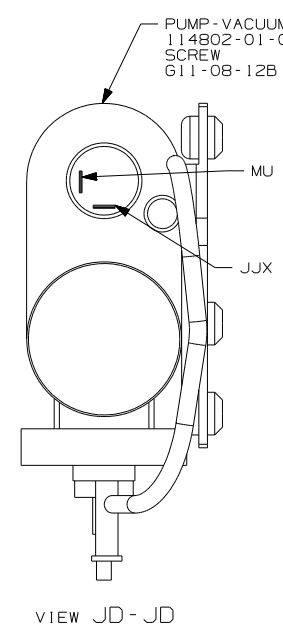
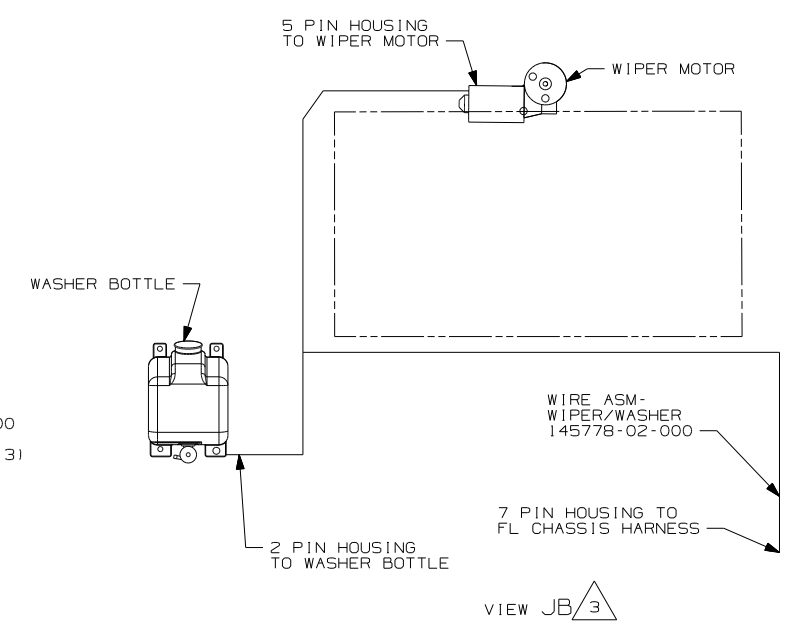
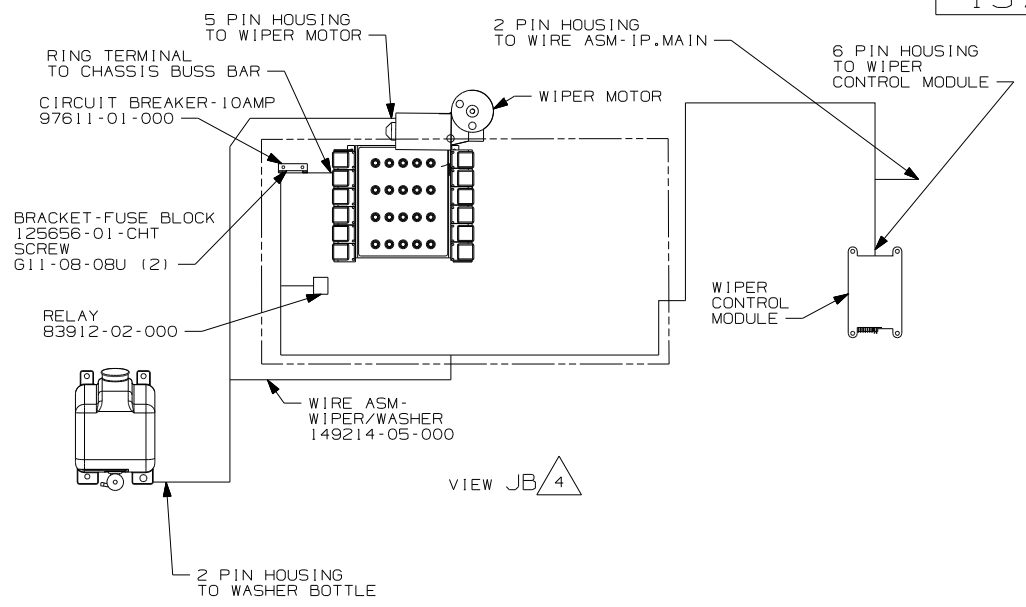
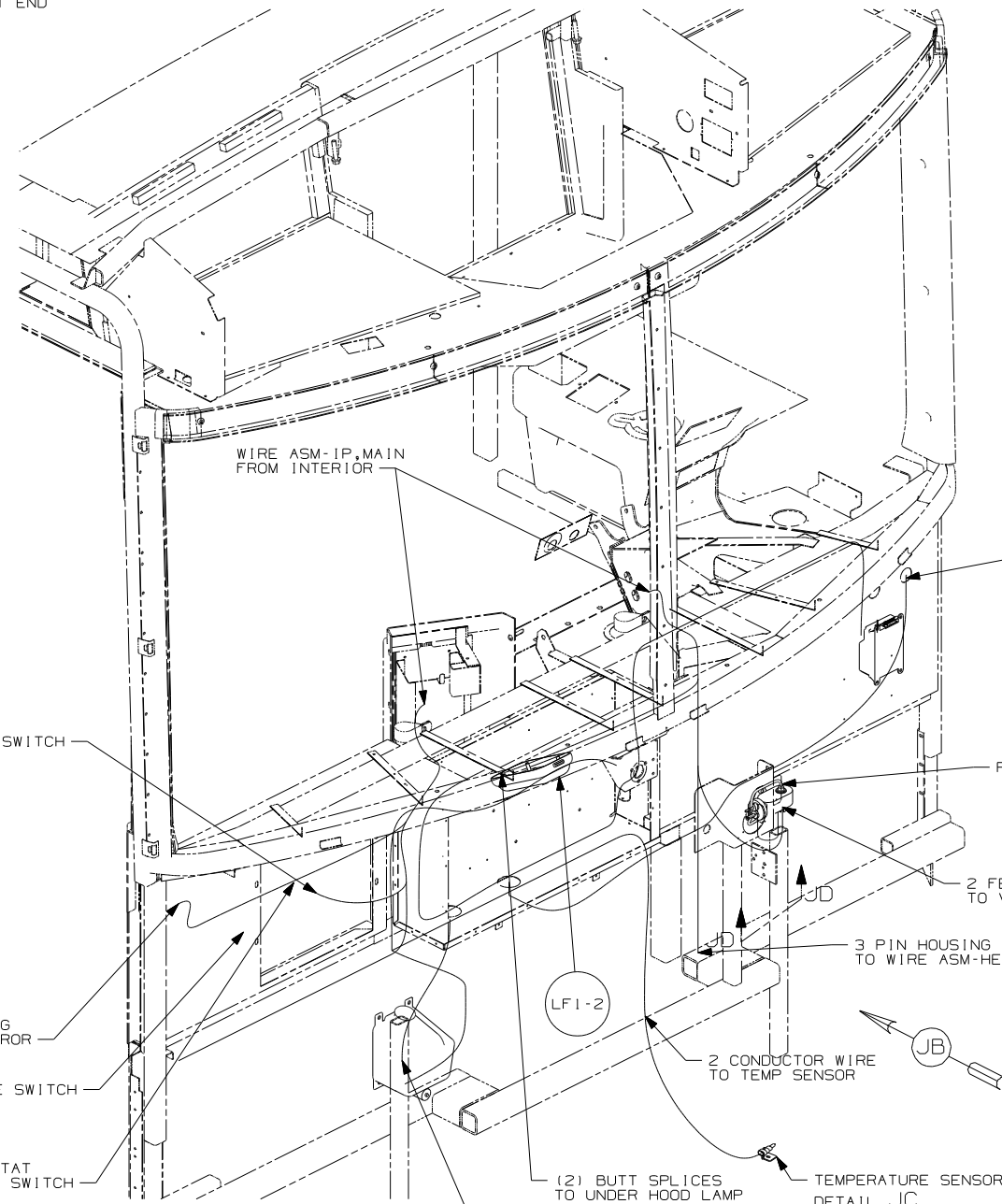
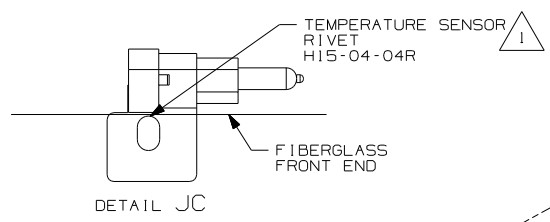
5

4

3

2

1 11/1/2006



- NOTES:
- 4 FREIGHTLINER CHASSIS (START OF PRODUCTION) WITH MEDALLION GAUGES (IF1) AND ALL FREIGHTLINER CHASSIS (JOB 2) WITH POLLAK GAUGES. SEE 2007 CHASSIS MATRIX FOR ADDITIONAL INFORMATION
 - 3 FREIGHTLINER CHASSIS (START OF PRODUCTION) WITH MEDALLION GAUGES IF1 OR ILC ONLY SEE 2007 CHASSIS MATRIX FOR ADDITIONAL INFORMATION
 - 2 SEE SHEET 2 FOR ADDITIONAL INFORMATION.
 - 1 DRILL 4.8 DIA HOLE AND MOUNT ON LOWER FLANGE OF FRONT END.

- (1FA) FRTL 27,910 300 5.9L 5-SP
- (1LC) FRTL 29,410 350 7.2L 6 SPEED
- (1F1) FRTL 27,910 350HP 7.2L 6SPD
- (28X) MIRRORS-EXTERIOR W/DEFROST
- (265) CODES/STANDARDS-CSA/CMVSS
- (1B1) CODES/STANDARDS USA

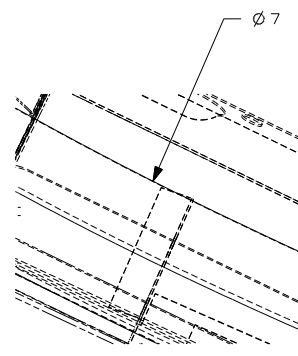
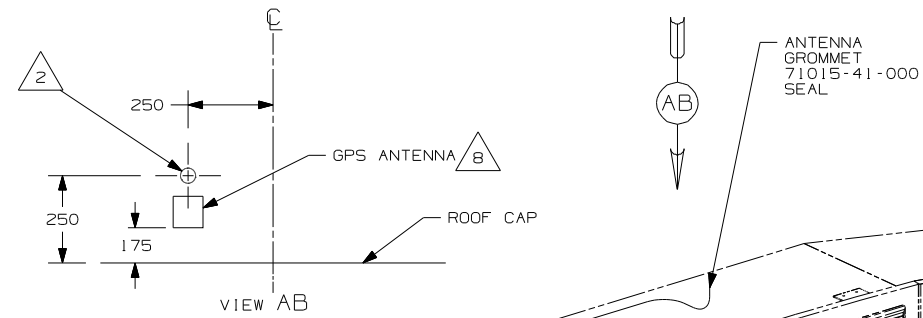
FOR ELECTRICAL TORQUE SPECIFICATIONS SEE DWG NO. 128783-01-000

(X-X) FOR ELECTRICAL CALLOUTS SEE DWG NO. 121339-01-000

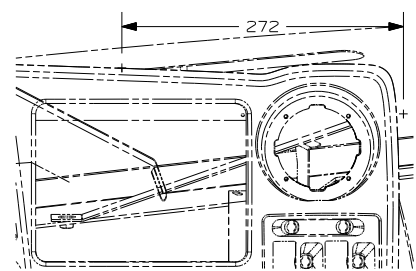
FIRST USED	
07 P-SER	
DO NOT SCALE DRAWING	
TITLE: WIRING INSTL-FRONT END	
SHEET 8	PART NO 157298 REV

DRAWING NO.	MODEL	SHEET
156354-01	R & S SERIES	1,5
156354-02	P-SERIES	2,5

RELEASE	REV/DATE	DWG NO
	A	156354
REV ZONE	REVISION RECORD	DATE DFR-0R16



DETAIL AA
(TOP VIEW)



DETAIL AA

- 11 5 GPS-NAVIGATION SYST,DVD
137424-08-000
- FASTENER-DUAL LOCK
85774-01-000 (300 MM)
- 85774-02-000 (300 MM)

- 3 SCREW
G39-08-08E

- 6 14 MONITOR-LCD,COLOR 6.5"
137424-09-000
- BRACKET-ASM-MONITOR
137424-04-000
- SCREW
G11-08-08T (5)

- 9 CLAMP
10495-01-000
- SCREW
G11-08-08U

- JUNCTION BLOCK
(SUPPLIED W/MONITOR)

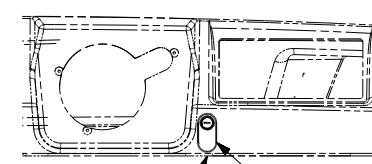
SEE DETAIL AA
FOR HOLE LOCATION
FOR CABLE ROUTING

- CABLE ASM-MONITOR,SONY

- REMOTE CONTROL 7

- 6 PIN HOUSING
TO WIRE ASM-IP,MAIN

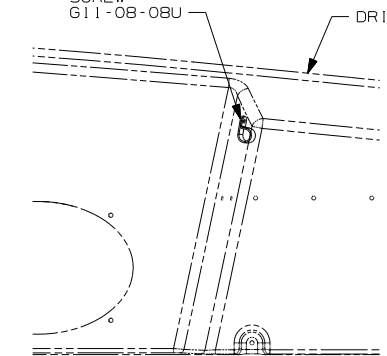
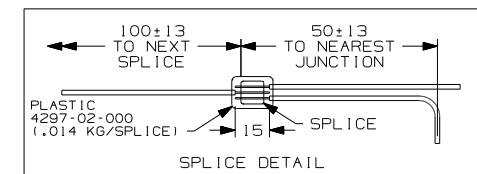
- 10 CABLE-RCA,MALE-MALE



VIEW AD

- 13 SPEAK BUTTON TAPE
123816-01-000

FOR ELECTRICAL
CALLOUTS
SEE DWG NO.
121339-01-000



VIEW AC

- 14 SAVE MICROPHONE CABLE TO BE PUT IN INFOCASE.
- 13 DRILL 4MM NOTCH IN PANEL TO PREVENT WIRES FROM BEING PINCHED IF NECESSARY.
- 12 ROUTE MICROPHONE/SPEAK BUTTON CABLE DOWN A-POST BEHIND DRIVER'S PANEL.
- 11 MOUNT GPS-NAVIGATION SYST. IN OVERHEAD AS FAR TO THE LEFT AS POSSIBLE. WITH (52T) MOUNT GPS-NAVIGATION SYST. TO THE RIGHT OF THE CD CHANGER AS FAR TO THE LEFT AS POSSIBLE.
- 10 S-SERIES ONLY
- 9 MOUNT CLAMP WITH SCREW THRU ONE SIDE SO WIRES CAN BE REMOVED. COIL MICROPHONE CABLE IN CLAMP.
- 8 CLEAN ROOF & ANTENNA AND USE TAPE-FOAM,DBL 076322-05 TO ATTACH ANTENNA TO ROOF.
- 7 MOUNT REMOTE WITH WITH SUPPLIED BRACKET AND SCREWS.
- 6 MOUNT MONITOR SO IT IS CENTERED IN RECESSED AREA ON DASH.
- 5 LOAD MAP DVD INTO PLAYER AND SAVE DVD CASE AND DOCUMENTATION WITH OWNER'S MANUAL.
- 4 SEE SHEET 5 FOR SPLICING INFORMATION.
- 3 PULL BLACK WIRE FROM LOOM AND SCREW TO STEEL SIDE-PANEL OF OVHD.
- 2 DRILL 15MM HOLE IN FIBERGLASS ROOF CAP AND SLIDE ANTENNA WIRE INTO GROMMET AND SEAL.
- 1 AV INTERFACE UNIT COMES WITH MONITOR-LCD,COLOR 6.5"

NOTES:

- 52T CD CHANGER-10 DISC
- 15D GPS-NAVIGATION SYSTEM

WINNEBAGO COPYRIGHT 2006 WINNEBAGO INDUSTRIES, INC.

DFTR	ORIG. DATE
CHKR	ALL DIMENSIONS ARE IN MILLIMETERS
P.E.	FIRST USED
M.E.	07 R&S-SER
DSNR	

UNSPECIFIED TOLERANCES ARE: MATERIAL:

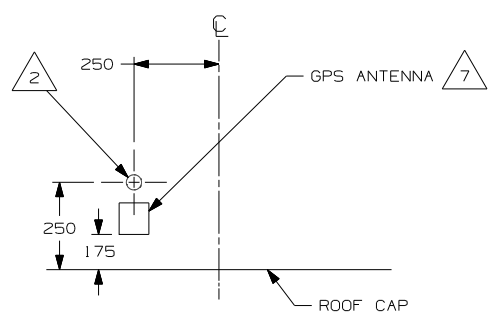
HOLE DIM (X)	
ONE-PLACE (X,X)	1
TWO-PLACE (X,XX)	
ANGLE	
THIRD ANGLE PROJECTION	

DO NOT SCALE DRAWING

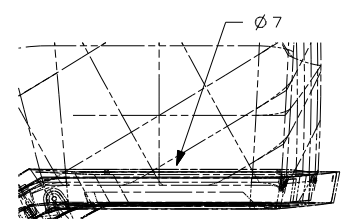
TITLE: WIRING INSTL-GPS

SHEET 1 of 3 PART NO 156354 REV

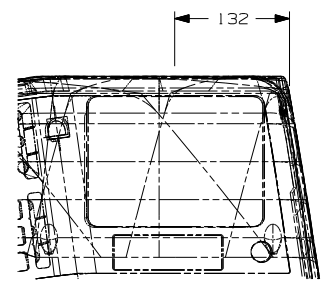
REF: 1 5/15/2007



VIEW BB



DETAIL BA (TOP VIEW)



DETAIL BA

GPS-NAVIGATION SYST, DVD
 137424-08-000
 FASTENER-DUAL LOCK
 85774-01-000 (300 MM)
 85774-02-000 (300 MM)

SCREW
 G39-08-08E

ANTENNA GROMMET
 71015-41-000
 SEAL

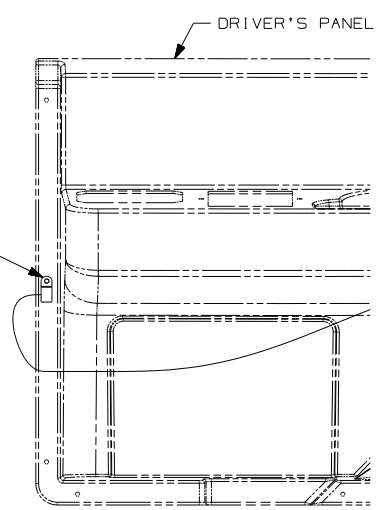
MONITOR-LCD, COLOR 6.5"
 137424-09-000
 BRACKET-ASM-MONITOR
 137424-04-000
 SCREW
 G11-08-08T (5)

CLAMP
 10495-01-000
 SCREW
 G11-08-08U

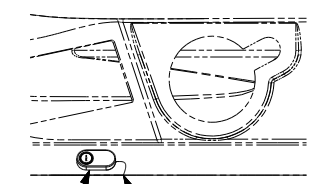
JUNCTION BLOCK
 (SUPPLIED W/MONITOR)

6 PIN HOUSING
 TO WIRE ASM-IP, MAIN

SPEAK BUTTON TAPE
 123816-01-000



VIEW BC



VIEW BD

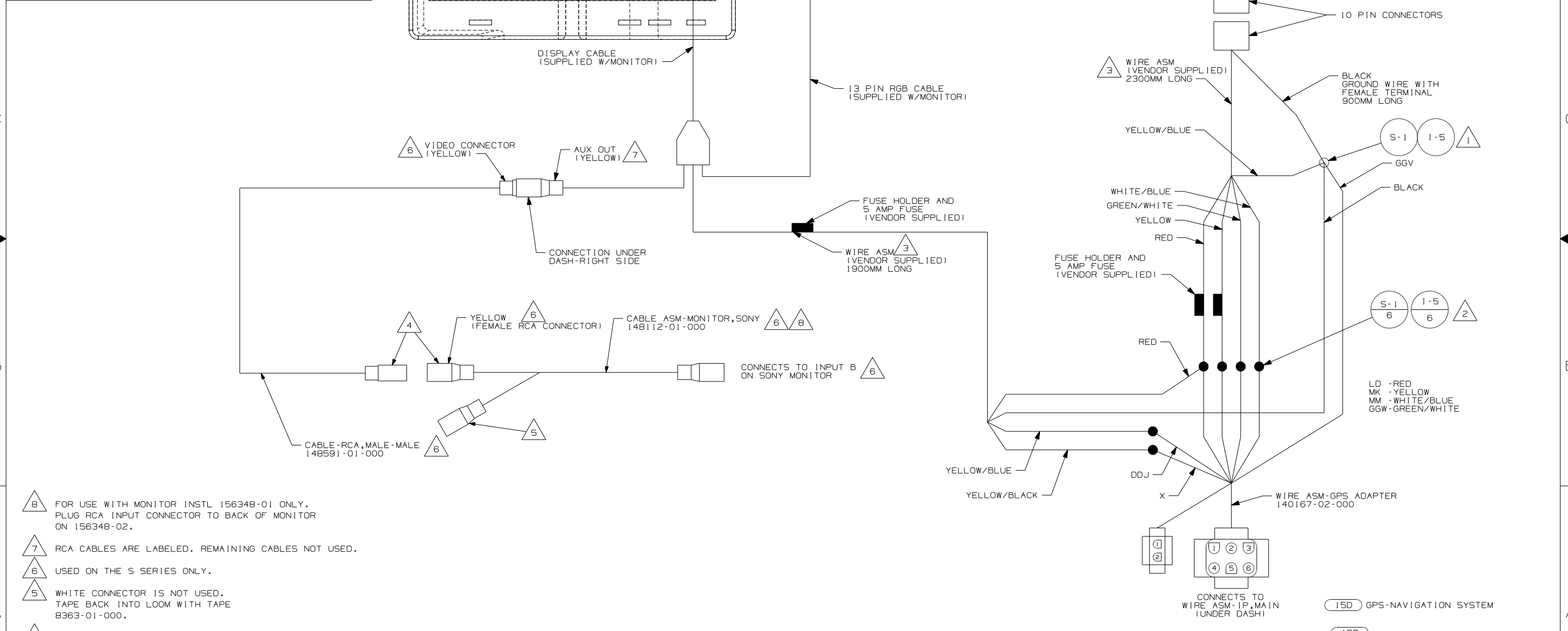
- 12 SAVE MICROPHONE CABLE TO BE PUT IN INFOCASE.
- 11 DRILL 4MM NOTCH IN PANEL TO PREVENT WIRES FROM BEING PINCHED IF NECESSARY.
- 10 MOUNT CLAMP WITH SCREW THRU ONE SIDE SO WIRES CAN BE REMOVED. COIL MICROPHONE CABLE IN CLAMP.
- 9 ROUTE MICROPHONE/SPEAK BUTTON CABLE DOWN A-POST AND BEHIND DRIVER'S PANEL
- 8 MOUNT GPS-NAVIGATION SYST. IN OVERHEAD AS FAR TO THE LEFT AS POSSIBLE. WITH (52T) MOUNT GPS-NAVIGATION SYST. TO THE RIGHT OF THE CD CHANGER AS FAR TO THE LEFT AS POSSIBLE.
- 7 CLEAN ROOF & ANTENNA AND USE TAPE-FOAM, DBL 076322-05 TO ATTACH ANTENNA TO ROOF.
- 6 MOUNT MONITOR SO IT IS CENTERED ABOVE REAR MONITOR.
- 5 LOAD MAP DVD INTO PLAYER AND SAVE DVD CASE AND DOCUMENTATION WITH OWNER'S MANUAL.
- 4 SEE SHEET 5 FOR SPLICING INFORMATION.
- 3 PULL BLACK WIRE FROM LOOM AND SCREW TO STEEL SIDE-PANEL OF OVHD.
- 2 DRILL 15MM HOLE IN FIBERGLASS ROOF CAP AND SLIDE ANTENNA WIRE INTO GROMMET AND SEAL.
- 1 AV INTERFACE UNIT COMES WITH MONITOR-LCD, COLOR 6.5"

NOTES:

(52T) CD CHANGER-10 DISC
 (15D) GPS-NAVIGATION SYSTEM

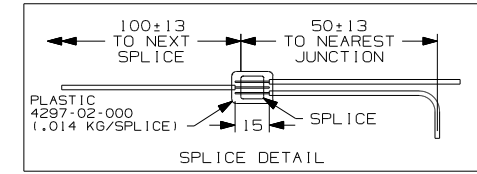
FIRST USED		07 P-SER	
DO NOT SCALE DRAWING			
TITLE: WIRING INSTL-GPS			
SHEET 2	PART NO	156354	REV

GPS CIRCUIT	FUNCTION	WIN CIRCUIT
YELLOW	BATTERY (+)	MK
BLACK	GROUND	GGV
RED	IGNITION (+)	LD
WHITE/BLUE	ILLUMINATION (+)	MM
ORANGE/WHITE	REVERSE LIGHTS (+)	NOT USED
GREEN/WHITE	VEHICLE SPEED SENSOR (VSS)	GGW
YELLOW/BLUE	PARKING BRAKE (-)	GGV
PINK/SKY BLUE	IN-INT INTERRUPT (-) (AUDIO MUTE)	(NOT USED)
YELLOW/BLACK	FOOT BRAKE (+)	(NOT USED)
WHITE/BROWN	REMOTE	(NOT USED)



- NOTES:
- 8 FOR USE WITH MONITOR INSTL 156348-01 ONLY. PLUG RCA INPUT CONNECTOR TO BACK OF MONITOR ON 156348-02.
 - 7 RCA CABLES ARE LABELED. REMAINING CABLES NOT USED.
 - 6 USED ON THE S SERIES ONLY.
 - 5 WHITE CONNECTOR IS NOT USED. TAPE BACK INTO LOOM WITH TAPE 8363-01-000.
 - 4 CONNECT TOGETHER
 - 3 CUT WIRE ASM TO AVOID EXCESS WIRE BUNDLING AND TAPE UNUSED WIRES.
 - 2 CUT TERMINALS FROM VENDOR SUPPLIED WIRES AND SPLICE AS SHOWN.
 - 1 CUT RING TERMINAL FROM BLACK WIRE AND SPLICE AS SHOWN.

FOR ELECTRICAL CALLOUTS SEE DWG NO. 121339-01-000



150 GPS-NAVIGATION SYSTEM

150

FIRST USED

07 R&S-SER

DO NOT SCALE DRAWING

TITLE: WIRING INSTL-GPS

SHEET 3 PART NO 156354 REV

15/15/2007

DWG NO	SHEET	DESCRIPTION
133004-01	1	2TK, DIG VOLT
133004-02	2	2T, DIG VOLT, SOLAR
133004-03	3	2TK, W/SOL & PAN
133004-04	4	2TK, W/O WAT HEAT
133004-05	5,6,7	2T, SOLAR/SENSOR

RELEASE	REV DATE	DWG NO
A		133004
REV ZONE	REVISION RECORD	DATE
		DFTR-0R16

PIN #
 1. 16 RED GENERATOR METER (+)
 2. 16 YEL GENERATOR START
 3. 16 GRN GENERATOR STOP
 4. 16 BLK GENERATOR (-)

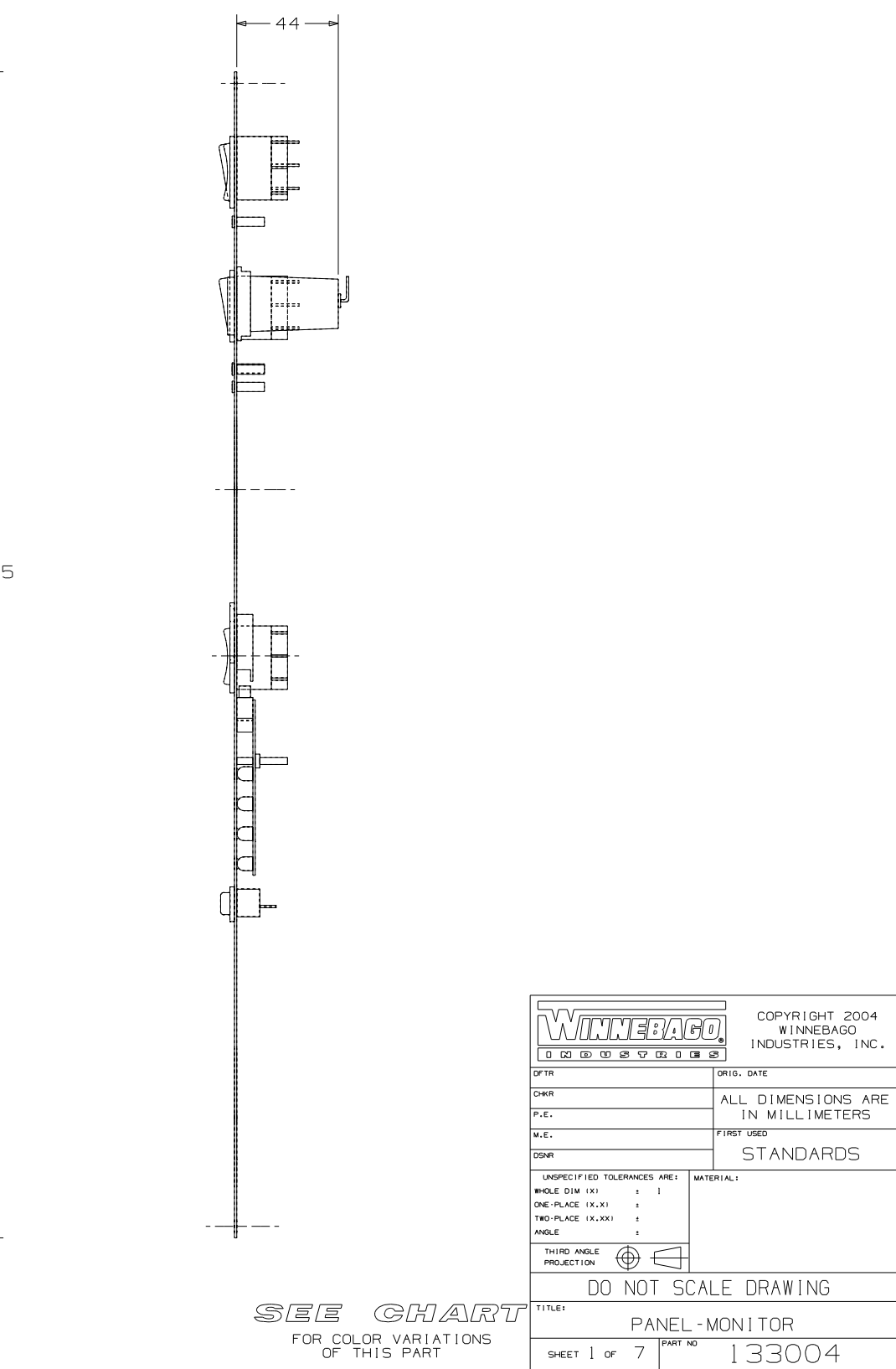
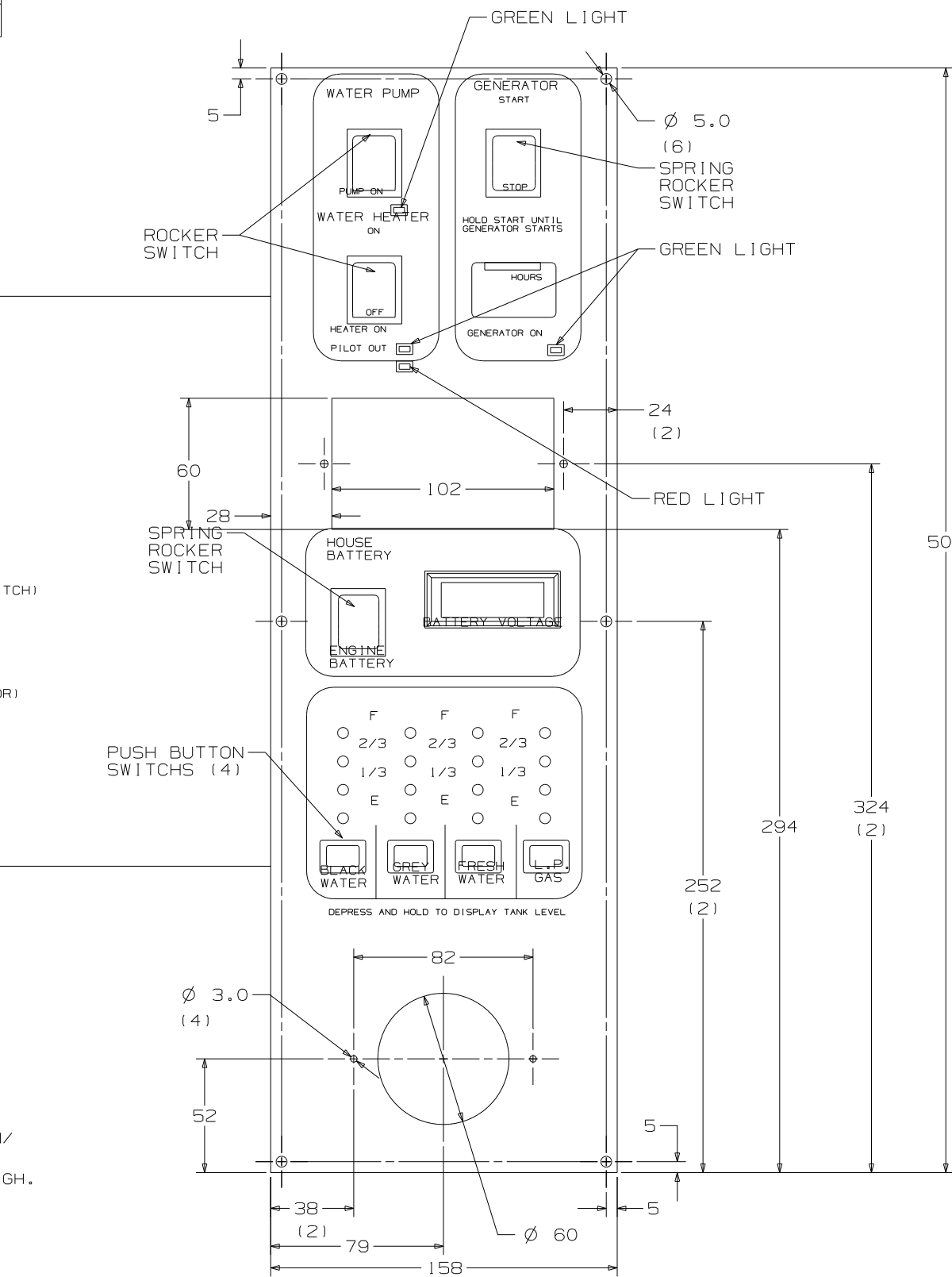
HOUSING-AMP
 (UNIVERSAL MATE-N-LOK)
 1-480702-0
 CONTACT-PIN
 350538-1

PIN #
 1. 14 BLK (HOUSE +12VDC)
 2. 14 (CHASSIS +12VDC)
 3. 14 WHT (GROUND)
 4. 20 RED (WATER TANK)
 5. 20 BRN (BLACK TANK)
 6. 20 GRY (GRAY TANK)
 7. 12 RED/WHT (REMOTE WATER PUMP SWITCH)
 8. 12 RED (WATER PUMP SWITCH)
 9. 12 WHT/RED (REMOTE WATER PUMP)
 10. BLANK
 11. BLANK
 12. 20 WHT/GRN (LP TANK SENSOR)
 13. 16 YEL (WATER HEATER IGNITION)
 14. BLANK
 15. 20 WHT/BLU (WATER HEATER INDICATOR)

HOUSING-AMP
 (UNIVERSAL MATE-N-LOK)
 1-480710-0
 CONTACT-PIN
 350538-1

5. SWITCH RATING SHALL BE EMBOSSED ON THE SIDE OF THE 12V SWITCHES.
 4. CUTOUT FOR PANEL TO BE 135 X 350 MIN/ 140 X 380 MAX.
 3. LETTERS ON MAIN HEADING TO BE 5MM HIGH.
 2. BLACK PANEL WITH WHITE GRAPHICS.
 1. SUGGESTED VENDOR: VENLINE.

NOTES:

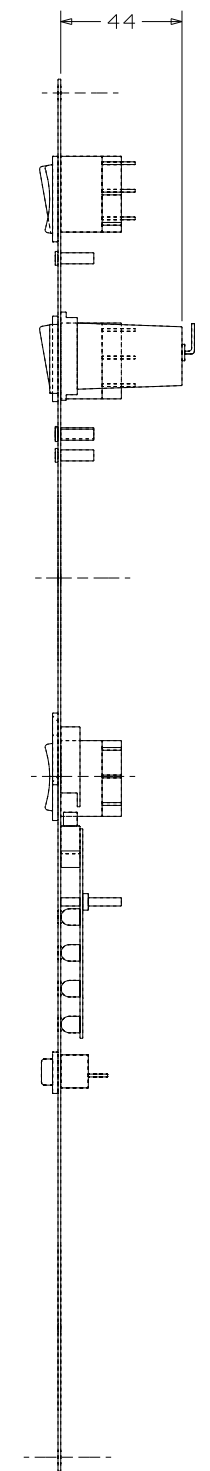
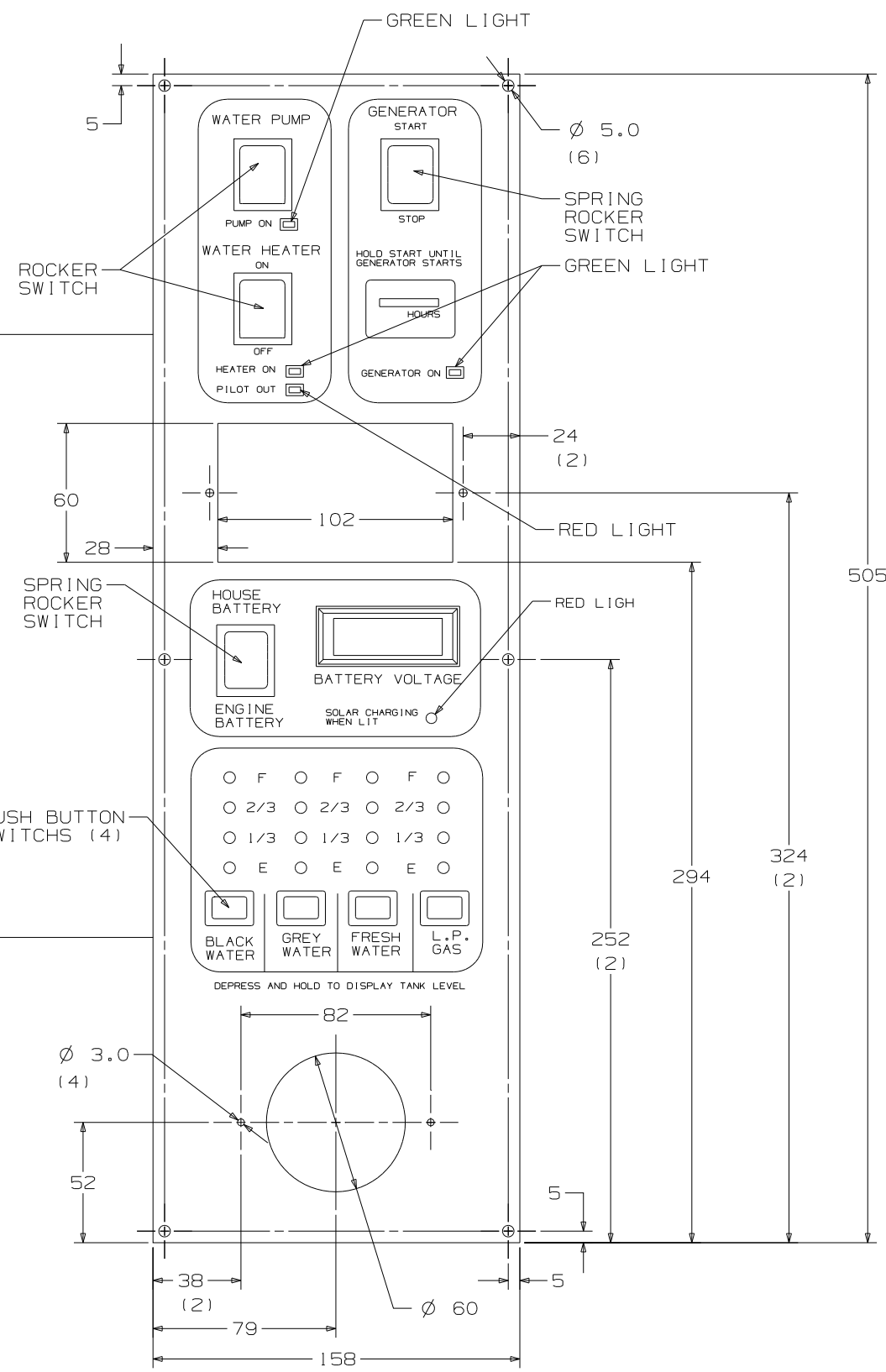


- PIN #
- 1. 16 RED GENERATOR METER (+)
 - 2. 16 YEL GENERATOR START
 - 3. 16 GRN GENERATOR STOP
 - 4. 16 BLK GENERATOR (-)

HOUSING-AMP
(UNIVERSAL MATE-N-LOK)
1-480702-0
CONTACT-PIN
350538-1

- PIN #
- 1. 14 BLK (HOUSE +12VDC)
 - 2. 14 (CHASSIS +12VDC)
 - 3. 14 WHT (GROUND)
 - 4. 20 RED (WATER TANK)
 - 5. 20 BRN (BLACK TANK)
 - 6. 20 GRY (GRAY TANK)
 - 7. 12 RED/WHT (REMOTE WATER PUMP SWITCH)
 - 8. 12 RED (WATER PUMP SWITCH)
 - 9. 12 WHT/RED (REMOTE WATER PUMP)
 - 10. BLANK
 - 11. BLANK
 - 12. 20 WHT/GRN (LP TANK SENSOR)
 - 13. 16 YEL (WATER HEATER IGNITION)
 - 14. BLANK
 - 15. 20 WHT/BLU (WATER HEATER INDICATOR)

HOUSING-AMP
(UNIVERSAL MATE-N-LOK)
1-480710-0
CONTACT-PIN
350538-1



FIRST USED	STANDARDS
TITLE	DO NOT SCALE DRAWING
SHEET 2	PANEL - MONITOR
PART NO	133004
1 07/08/2004	

PIN #
 1. 16 RED GENERATOR METER (+)
 2. 16 YEL GENERATOR START
 3. 16 BRN GENERATOR STOP
 4. 16 BLK GENERATOR (-)

HOUSING-AMP
 (UNIVERSAL MATE-N-LOK)
 1-480702-0
 CONTACT-PIN
 350538-1

PIN #
 1. 14 BLK (HOUSE +12VDC)
 2. 14 (CHASSIS +12VDC)
 3. 14 WHT (GROUND)
 4. 20 RED (WATER TANK)
 5. 20 BRN (BLACK TANK)
 6. 20 GRN (GRAY TANK)
 7. 12 RED/WHT (REMOTE WATER PUMP SWITCH)
 8. 12 RED (WATER PUMP SWITCH)
 9. 12 WHT/RED (REMOTE WATER PUMP)
 10. BLANK
 11. BLANK
 12. 20 WHT/GRN (LP TANK SENSOR)
 13. 16 YEL (WATER HEATER IGNITION)
 14. BLANK
 15. 20 WHT/BLU (WATER HEATER INDICATOR)

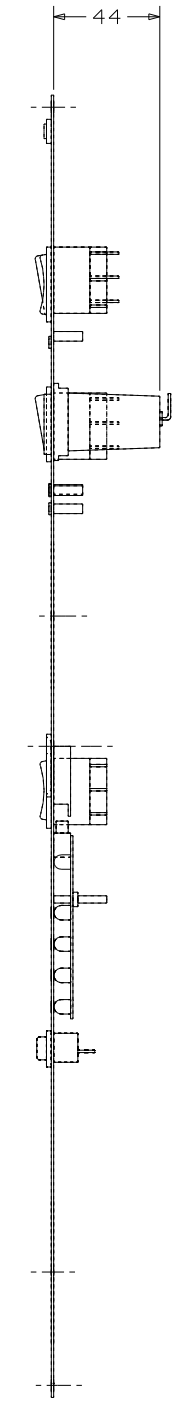
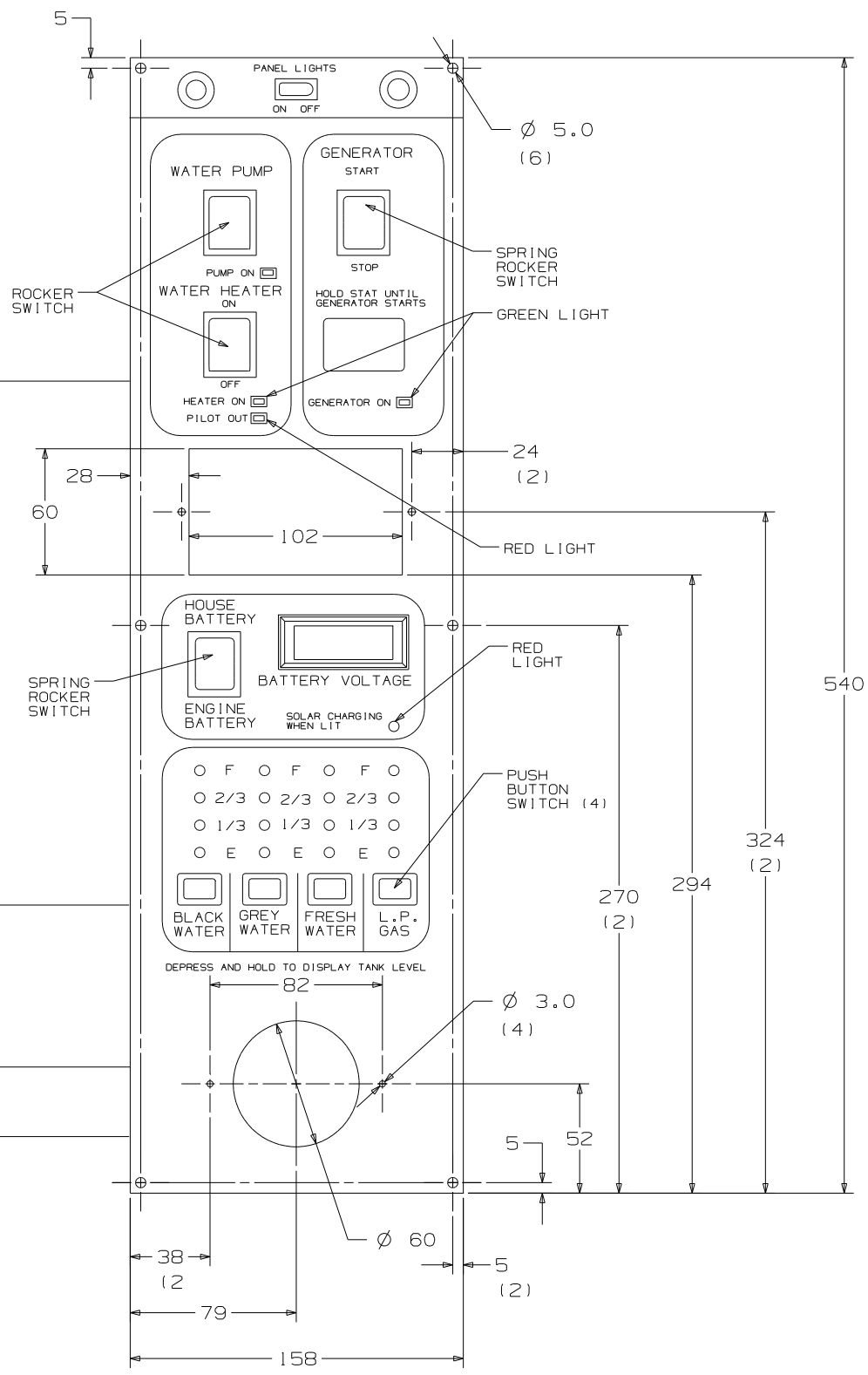
HOUSING-AMP
 (UNIVERSAL MATE-N-LOK)
 1-480710-0
 CONTACT-PIN
 350538-1

HOUSING-AMP
 (UNIVERSAL MATE-N-LOK)
 1-480698-0
 PIN
 350538-0

PIN #
 1. 16 BLK
 2. 16 RED

HOUSING-AMP
 (UNIVERSAL MATE-N-LOK)
 1-480699-0
 PIN
 350537-0

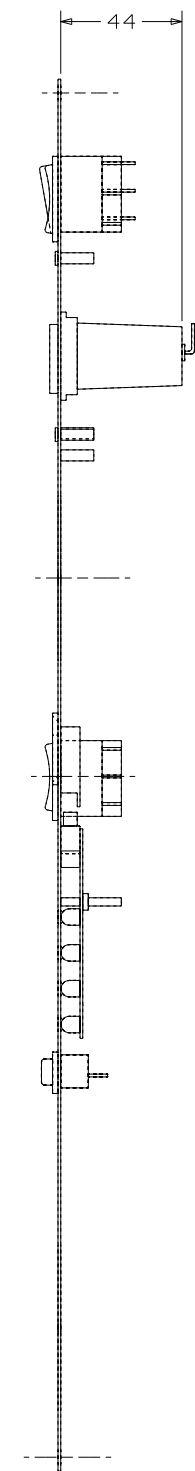
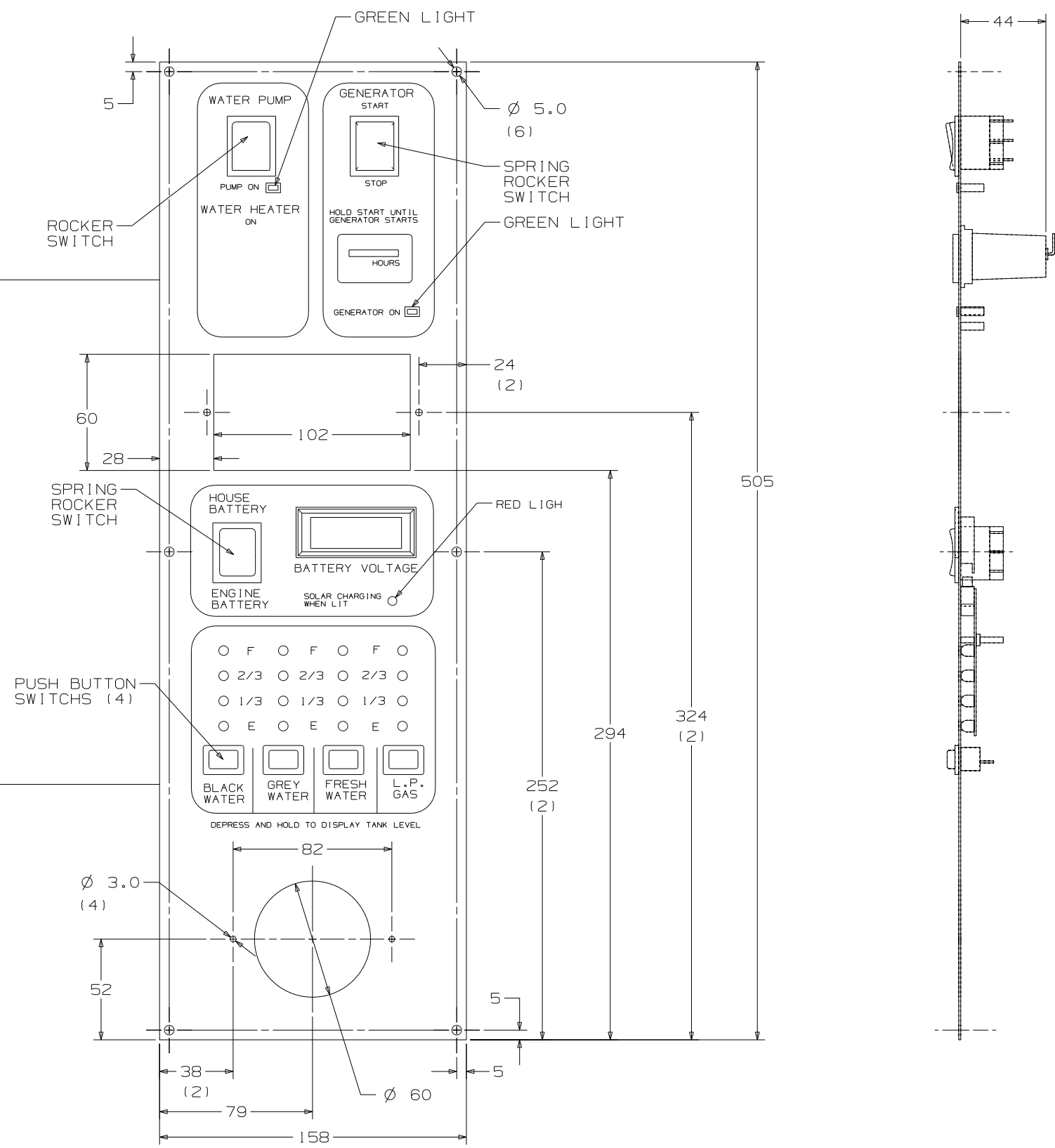
PIN #
 1. 16 GRN
 2. 16 RED



FIRST USED	STANDARD
TITLE	DO NOT SCALE DRAWING
TITLE	PANEL-MONITOR
SHEET 3	PART NO 133004

- PIN #
- 1. 16 RED GENERATOR METER (+)
 - 2. 16 YEL GENERATOR START
 - 3. 16 GRN GENERATOR STOP
 - 4. 16 BLK GENERATOR (-)
- HOUSING-AMP
(UNIVERSAL MATE-N-LOK)
1-480702-0
CONTACT-PIN
350538-1

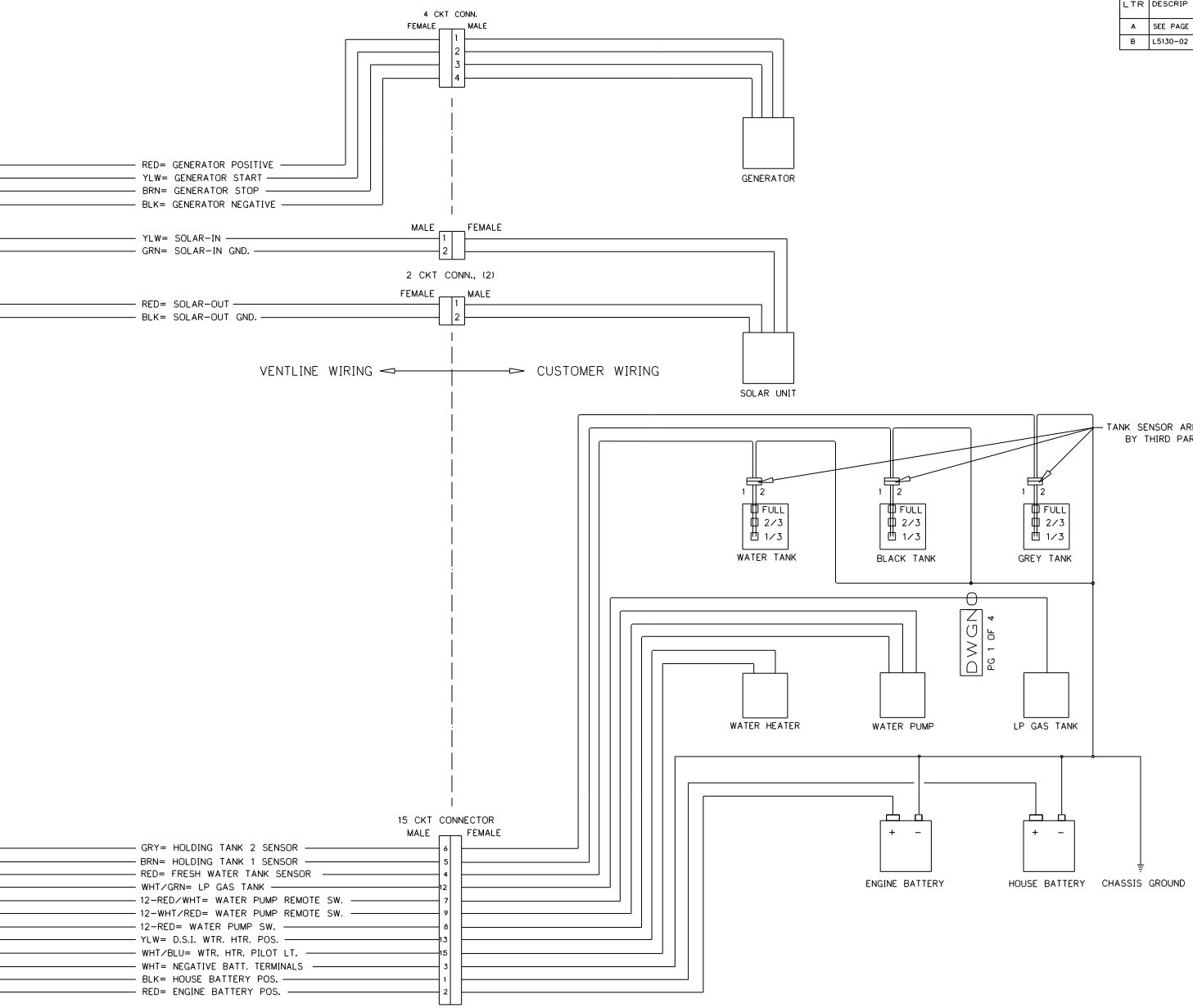
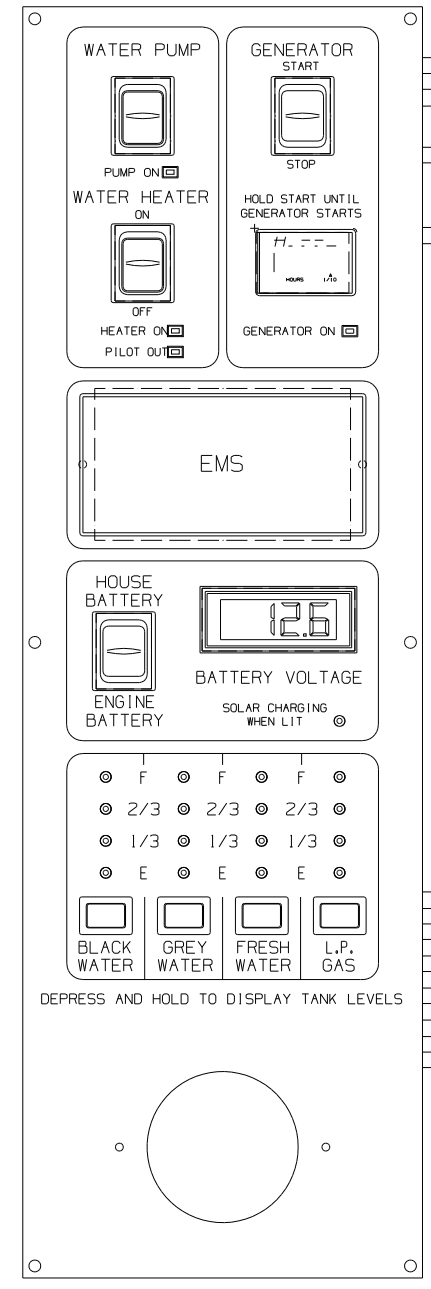
- PIN #
- 1. 14 BLK (HOUSE +12VDC)
 - 2. 14 (CHASSIS +12VDC)
 - 3. 14 WHT (GROUND)
 - 4. 20 RED (WATER TANK)
 - 5. 20 BRN (BLACK TANK)
 - 6. 20 GRN (GRAY TANK)
 - 7. 12 RED/WHT (REMOTE WATER PUMP SWITCH)
 - 8. 12 RED (WATER PUMP SWITCH)
 - 9. 12 WHT/RED (REMOTE WATER PUMP)
 - 10. BLANK
 - 11. BLANK
 - 12. 20 WHT/GRN (LP TANK SENSOR)
 - 13. BLANK
 - 14. BLANK
 - 15. BLANK
- HOUSING-AMP
(UNIVERSAL MATE-N-LOK)
1-480710-0
CONTACT-PIN
350538-1



FIRST USED	STANDARDS	
TITLE	DO NOT SCALE DRAWING	
TITLE	PANEL - MONITOR	
SHEET 4	PART NO	133004

CONFIDENTIAL
 THIS DOCUMENT, INCLUDING ALL INFORMATION CONTAINED HEREIN IS THE EXCLUSIVE AND CONFIDENTIAL PROPERTY OF VENTLINE DIVISION OF TOMKINS INDUSTRIES INC. THE DOCUMENT AND INFORMATION ARE NOT TO BE COPIED, REPRODUCED OR DELIVERED TO OTHERS, IN WHOLE OR IN PART, WITHOUT THE EXPRESS WRITTEN PERMISSION OF VENTLINE. THE DOCUMENT IS TO BE RETURNED PROMPTLY TO VENTLINE AFTER HAVING SERVED THE PURPOSE FOR WHICH DELIVERED.
 ©1995 VENTLINE DIVISION, TOMKINS INDUSTRIES, INC.
 All Rights Reserved, including the right to reproduce this document or any part thereof

LTR.	DESCRIPTION	DATE	CHK. BY	APP. BY
A	SEE PAGE 3 ECN 16381	ECN 16261	4-6-04	R.L. R.L.
B	L5130-02 WAS L5113-04	ECN 16394	4-21-04	R.L. R.L.



- NOTES:
- UNLESS OTHERWISE SPECIFIED ALL WIRE IS 22 AWG.
 - REF. DWG.'S:
 HARNESS, INTERNAL & SWITCH= L7785-01, -02
 HARNESS, GEN. INTERNAL & SWITCH= L7786-00
 HARNESS, SOLAR LIGHT= L7722-00
 PCB= L5130-02
 HARNESS, TEST= L8012-00
 TEST BOX= L8506-00
 - ALL PIGTAILS TO BE SUPPLIED BY CUSTOMER.
 - BEFORE PACKING, SECURE HARNESS WITH V00169-00 TIE WRAP ON RIGHT SIDE POST.

ENGLISH TOLERANCE UNLESS SPECIFIED:
 0 PL.: .040
 2 PL.: .010
 1 PL.: .020
 3 PL.: .005
 FRACTIONS 1/64

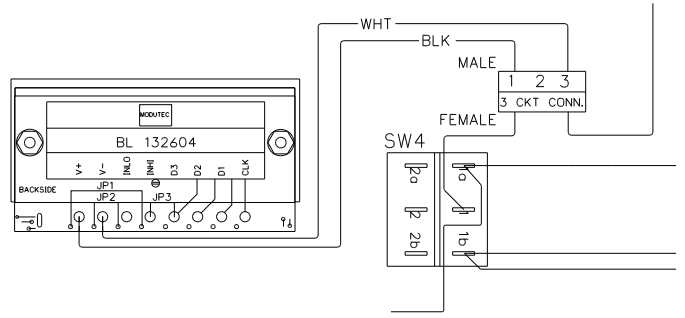
PART NO.	REV'D	MATERIAL	DESCRIPTION	DWG SIZE
BLANK		BLANK	WGT	USED
DRWN DATE		MATERIAL	USED ON	
DRWN DATE		MATL	MATL	
CHECKED DATE		NAME	SCALE	
CHECKED DATE		DWGNAME	DWG. NO. PG 1 OF 4	
APPV'D DATE		DWGNAME	DWGNO	

FIRST USED	STANDARD
TITLE	DO NOT SCALE DRAWING
TITLE	PANEL - MONITOR
SHEET 5	PART NO 133004
	1 07/08/2004

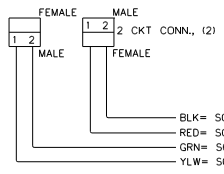
CONFIDENTIAL
 THIS DOCUMENT, INCLUDING ALL INFORMATION CONTAINED HEREIN IS THE EXCLUSIVE AND CONFIDENTIAL PROPERTY OF VENTLINE DIVISION OF TOMING INDUSTRIES INC. THE DOCUMENT AND INFORMATION ARE NOT TO BE COPIED, REPRODUCED OR DELIVERED TO OTHERS, IN WHOLE OR IN PART, WITHOUT THE EXPRESS WRITTEN PERMISSION OF VENTLINE. THE DOCUMENT IS TO BE RETURNED PROMPTLY TO VENTLINE AFTER HAVING SERVED THE PURPOSE FOR WHICH DELIVERED.
 ©1995 VENTLINE DIVISION, TOMING INDUSTRIES, INC.
 All Rights Reserved, including the right to reproduce this document in any part thereof.

LTR.	DESCRIPTION	DATE	CHK'D	APP'D
	ECN 16261			
A	SEE PAGE 3 ECN 16381	4-6-04	RUL	RUL
B	LS130-02 WAS LS113-04 ECN 16394	4-21-04	RUL	RUL

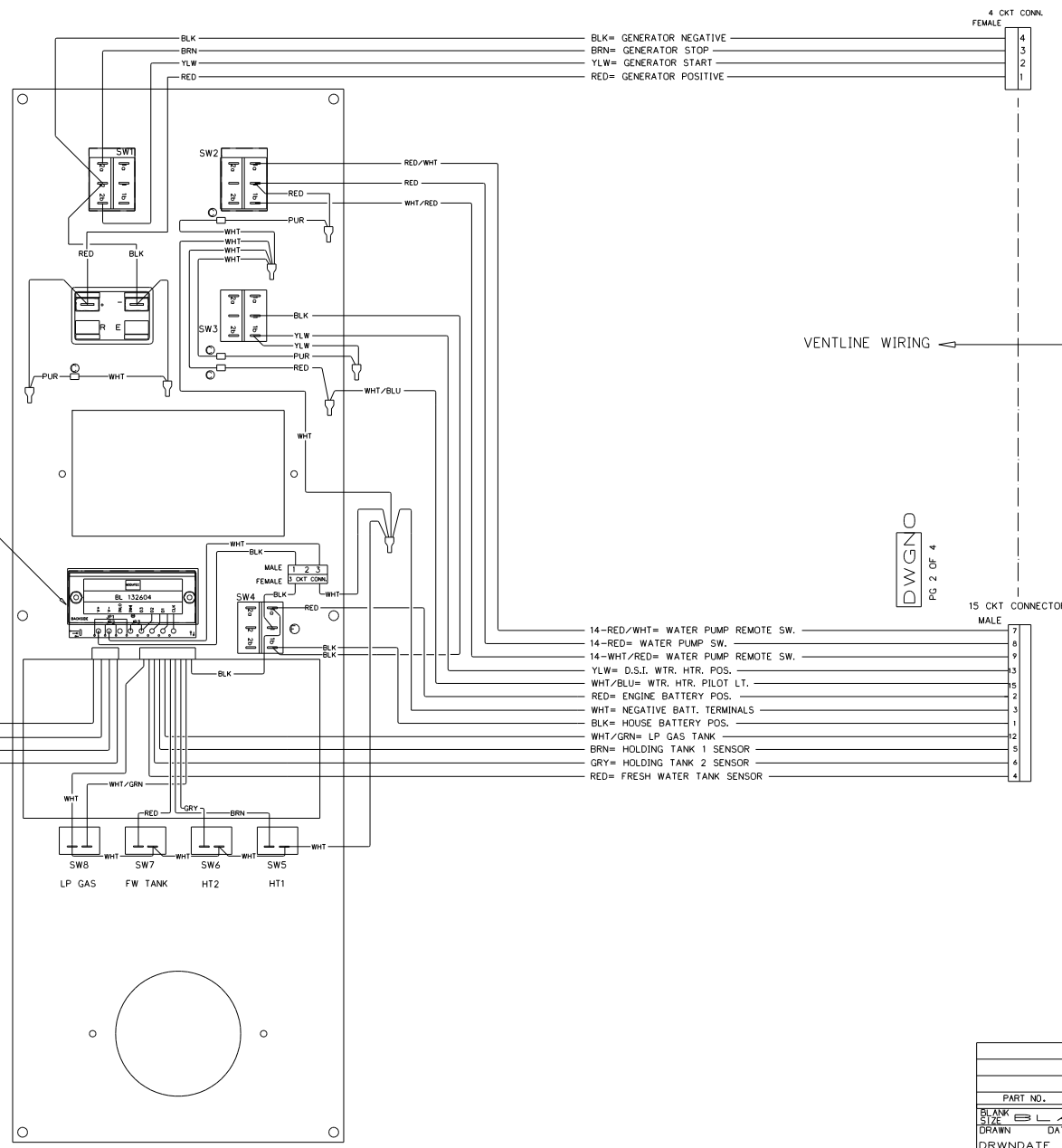
DETAIL - A



SEE DETAIL - A



- NOTES:
- UNLESS OTHERWISE SPECIFIED ALL WIRE IS 22 AWG.
 - REF. DWG.'S:
 HARNESS, INTERNAL & SWITCH= L7785-01, -02
 HARNESS, GEN. INTERNAL & SWITCH= L7786-00
 HARNESS, SOLAR LIGHT= L7722-00
 PCB= LS130-02
 HARNESS, TEST= L8012-00
 TEST BOX= L8506-00
 - ALL PIGTAILS TO BE SUPPLIED BY CUSTOMER.
 - BEFORE PACKING, SECURE HARNESS WITH VD0167-00 TIE WRAP ON RIGHT SIDE POST.



- BLK= GENERATOR NEGATIVE
- BRN= GENERATOR STOP
- YLW= GENERATOR START
- RED= GENERATOR POSITIVE

- 14-RED/WHT= WATER PUMP REMOTE SW.
- 14-RED= WATER PUMP SW.
- 14-WHT/RED= WATER PUMP REMOTE SW.
- YLW= D.S.I. WTR. HTR. POS.
- WHT/BLU= WTR. HTR. PILOT LT.
- RED= ENGINE BATTERY POS.
- WHT= NEGATIVE BATT. TERMINALS
- BLK= HOUSE BATTERY POS.
- WHT/GRN= LP GAS TANK
- BRN= HOLDING TANK 1 SENSOR
- GRY= HOLDING TANK 2 SENSOR
- RED= FRESH WATER TANK SENSOR

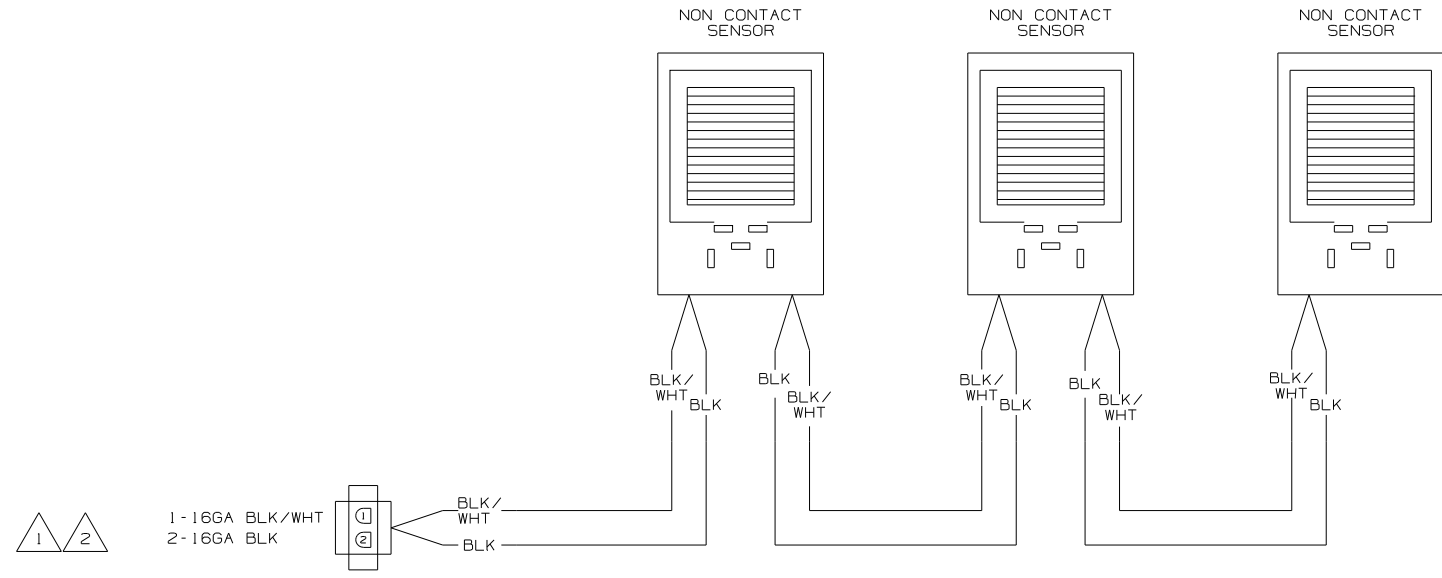
ENGLISH (TOLERANCE UNLESS SPECIFIED)
 0 PL.: .040 1 PL.: .020
 2 PL.: .010 3 PL.: .005
 FRACTIONS: 1/64

PART NO.	REV'D	MATERIAL	DESCRIPTION	DWG SIZE
BLANK SIZE		BLANK	WGT USED	USED ON
DRAWN	DATE	MATERIAL	DATE	DATE
DRWNDATE	DATE	MATL	MATL	
CHECKED	DATE			
CHECKDATE	DATE			
APPV'D	DATE			

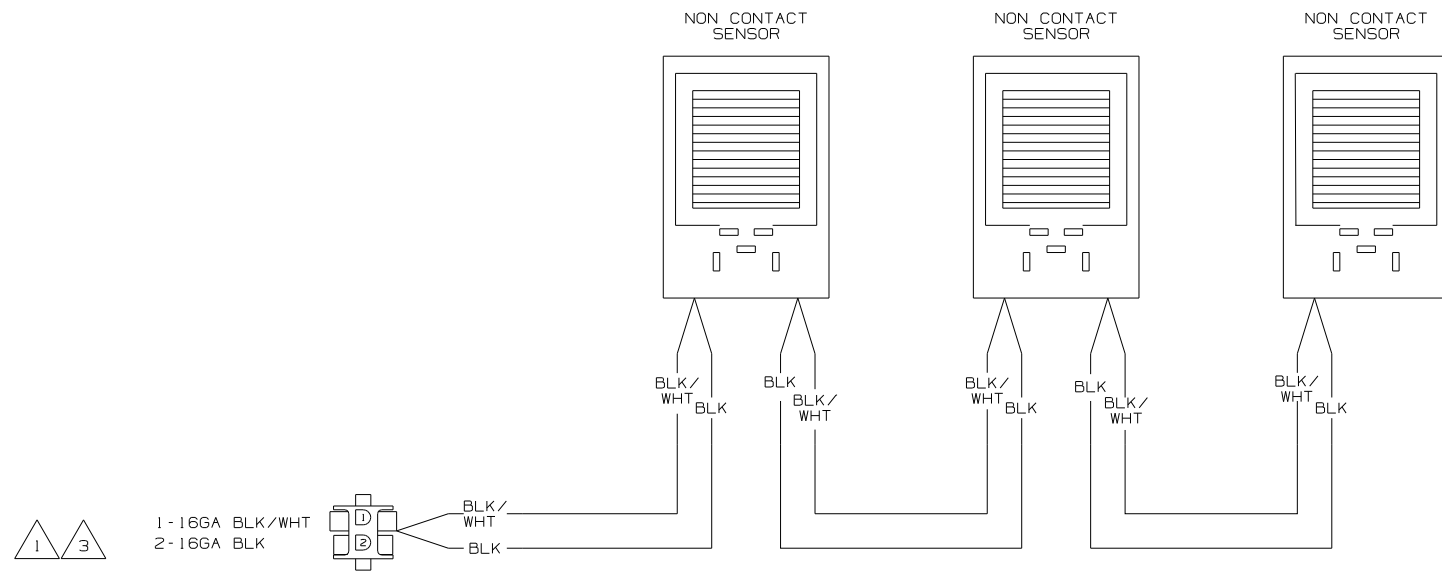
PHILIPS IND. INC.
 VENTLINE DIVISION
 BRISTOL, INDIANA 46507

SCALE: SCALE
 DWG. NO. PG 2 OF 4
 DWGNO

FIRST USED	STANDARD
TITLE:	DO NOT SCALE DRAWING
	PANEL - MONITOR
SHEET 7	PART NO 133004



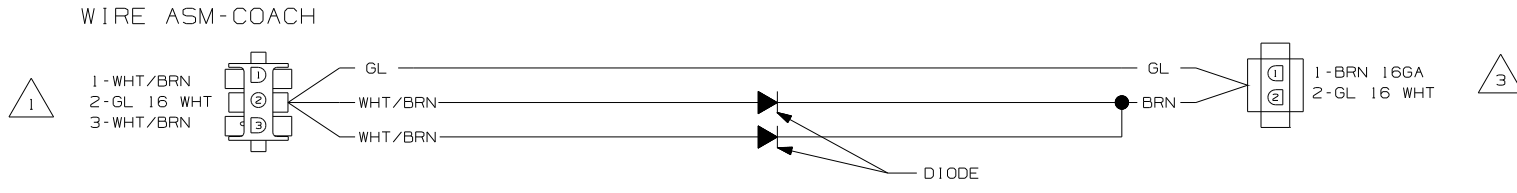
WIRING DIAGRAM-TANK, WATER
OR
WIRING DIAGRAM-TANK, MAIN
(WIRE ASM-151316 REV A)



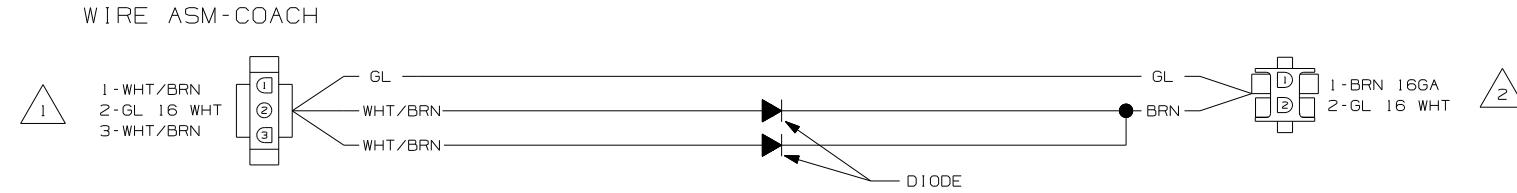
WIRING DIAGRAM-AUX HOLDING
(WIRE ASM-151317 REV A)

- NOTES:
- 3 IF TWO MONITOR PANELS ARE UTILIZED THIS WIRE ASM CONNECTS TO WIRE ASM-TANK,DIODE PACK 151808-01 SHT2.
 - 2 IF TWO MONITOR PANELS ARE UTILIZED THIS WIRE ASM CONNECTS TO WIRE ASM-TANK,DIODE PACK 151808-02 SHT2.
 - 1 IF ONLY ONE MONITOR PANEL IS USED SEE WIRING DIAGRAM-BODY FOR ADDITIONAL INFORMATION.

WINNEBAGO		COPYRIGHT 2004 WINNEBAGO INDUSTRIES, INC.	
DFTR	ORIG. DATE	ALL DIMENSIONS ARE IN MILLIMETERS	
CHKR		FIRST USED	
P.E.		05 MOTOR HOMES	
M.E.			
DSNR			
UNSPECIFIED TOLERANCES ARE:		MATERIAL:	
WHOLE DIM (X)	:	1	*
ONE-PLACE (X.X)	:		*
TWO-PLACE (X.XX)	:		*
ANGLE	:		*
THIRD ANGLE PROJECTION	:		*
DO NOT SCALE DRAWING			
TITLE: WIRING DIAGRAM-HOLDING TANKS			
SHEET 1 OF 2	PART NO	152594	
REF: NONE		1 9/8/2004	



WIRING DIAGRAM-TANK,DIODE PACK
151808-01-000 REV A



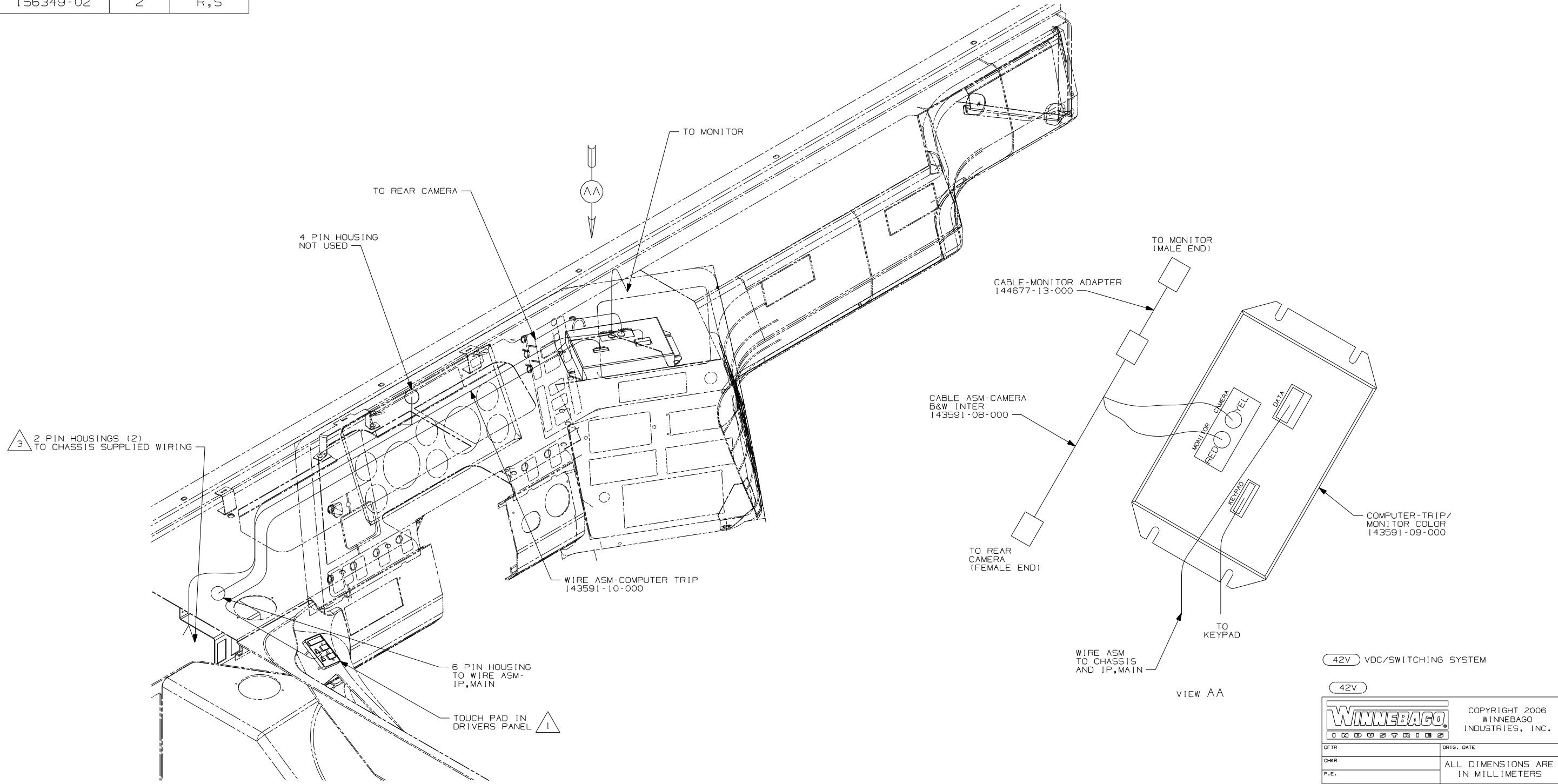
WIRING DIAGRAM-TANK,DIODE PACK
151808-02-000 REV A

- NOTES:
- 3 CONNECT TO WIRE ASM-TANK,AUX. SEE SHT 1.
 - 2 CONNECT WIRE ASM-TANK,WATER OR MAIN. SEE SHT 1.
 - 1 SEE WIRING DIAGRAM-BODY FOR ADDITIONAL INFORMATION.

FIRST USED	
05 MOTOR HOMES	
DO NOT SCALE DRAWING	
TITLE:	
WIRING DIAGRAM-HOLDING TANKS	
SHEET 2	PART NO
	152594

DRAWING NO.	SHEET	SERIES
156349-01	1	P
156349-02	2	R,S

RELEASE	REV DATE A	DWG NO 156349
REV ZONE	REVISION RECORD	DATE DFR-ORIG



3 2 PIN HOUSINGS (2) TO CHASSIS SUPPLIED WIRING

2 CONNECT TRIP TEK 2 PIN HOUSINGS TO FREIGHTLINER 2 PIN HOUSINGS W/GREEN AND ORANGE TWISTED PAIR WIRES & YELLOW AND DARK GREEN TWISTED PAIR WIRES.

1 USE VENDER SUPPLIED NUTS.

NOTES:

42V VDC/SWITCHING SYSTEM

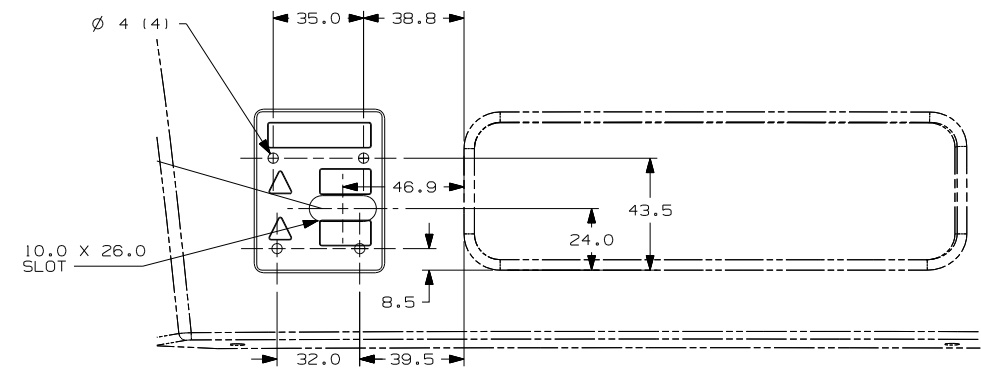
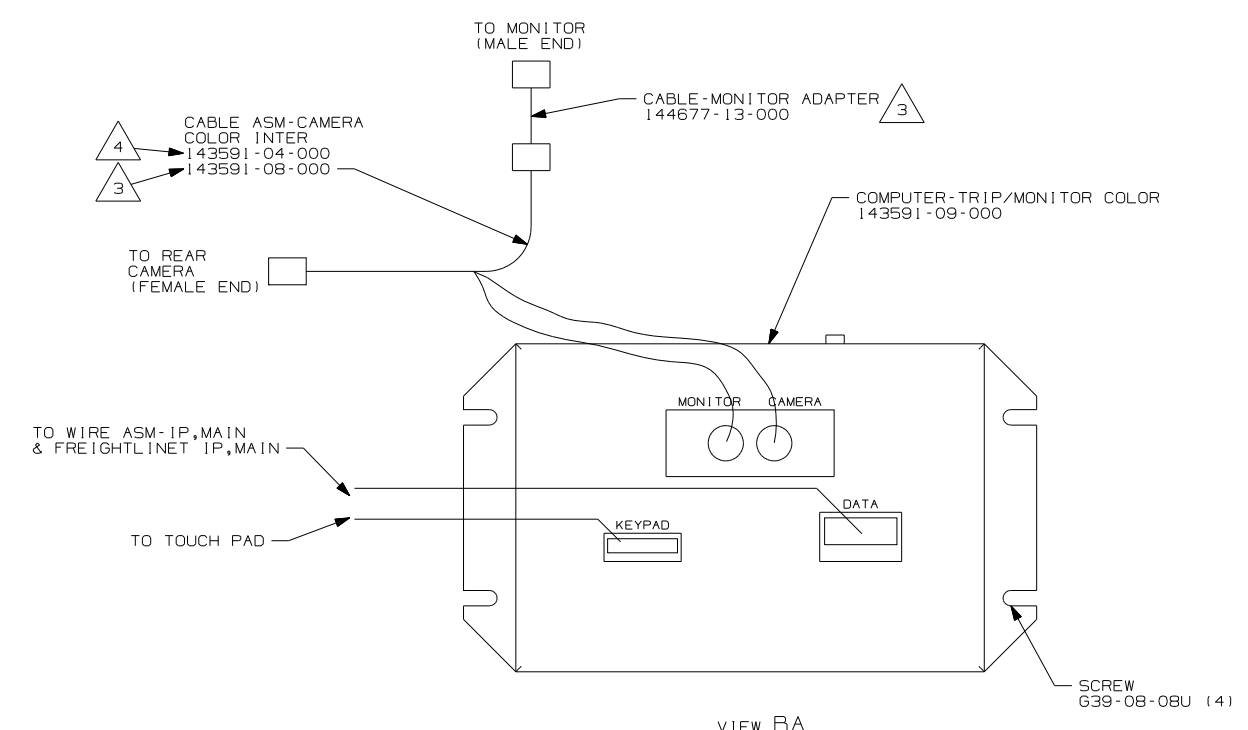
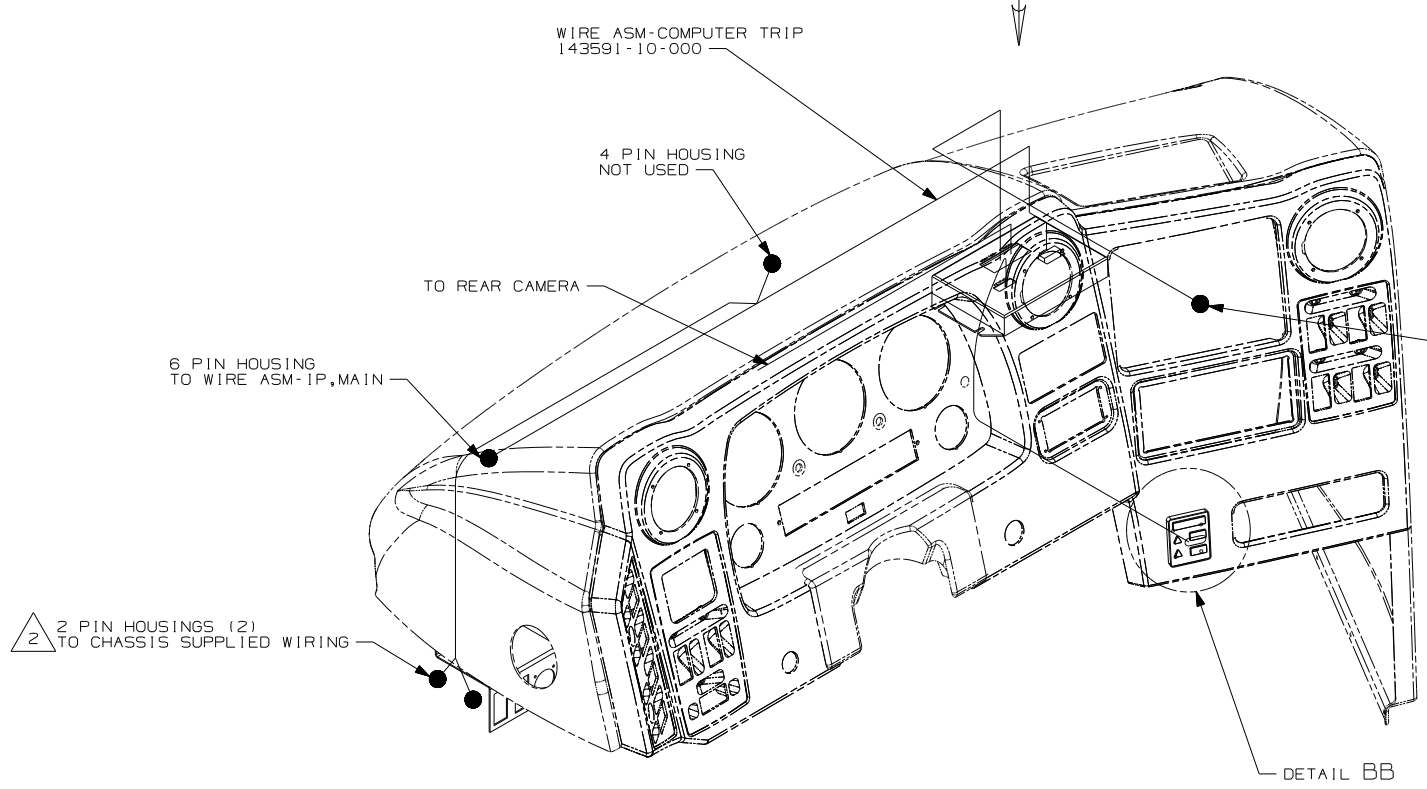
42V



DFTR	ORIG. DATE
CHKR	ALL DIMENSIONS ARE IN MILLIMETERS
P.E.	
M.E.	FIRST USED
DSNR	07 MOTORHOMES

UNSPECIFIED TOLERANCES ARE:	MATERIAL:
HOLE DIM (X) :	
ONE-PLACE (X.X) :	1.0
TWO-PLACE (X.XX) :	0.50
ANGLE :	
THIRD ANGLE PROJECTION	

DO NOT SCALE DRAWING	
TITLE: WIRING INSTL-TRIP COMPUTER	
SHEET 1 OF 2	PART NO 156349
REF:	1 6/19/2006

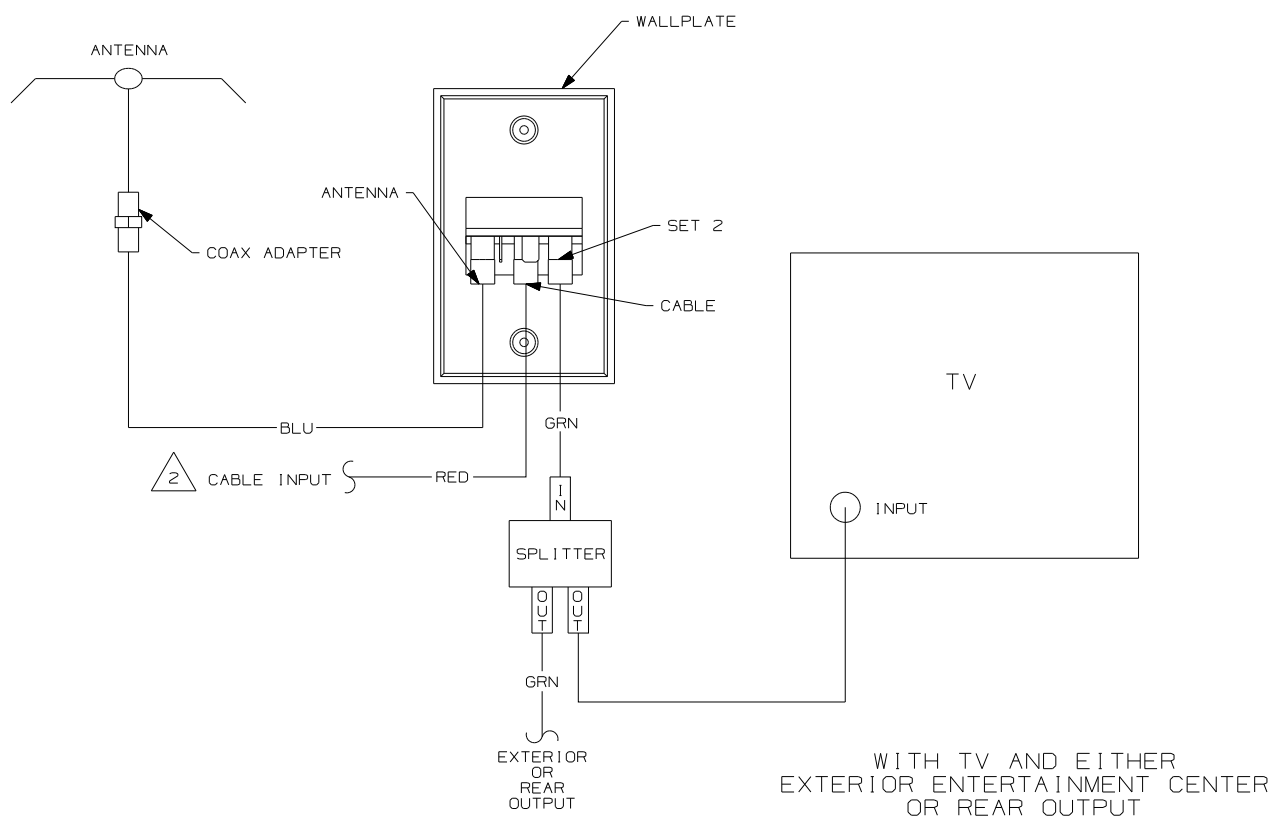


- NOTES:
- 4 FOR USE ON S-SERIES ONLY.
 - 3 FOR USE ON R-SERIES ONLY.
 - 2 CONNECT TRIP TEK 2 PIN HOUSINGS TO FREIGHTLINER 2 PIN HOUSINGS W/GREEN AND ORANGE TWISTED PAIR WIRES & YELLOW & DARK GREEN TWISTED PAIR WIRES.
 - 1 USE VENDOR SUPPLIED NUTS.

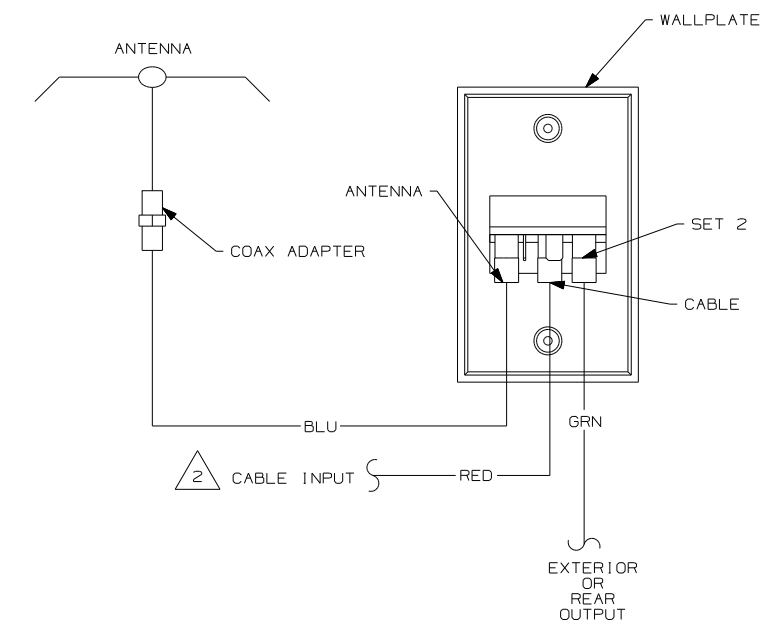
42V VCR/SWITCHING SYSTEM

42V

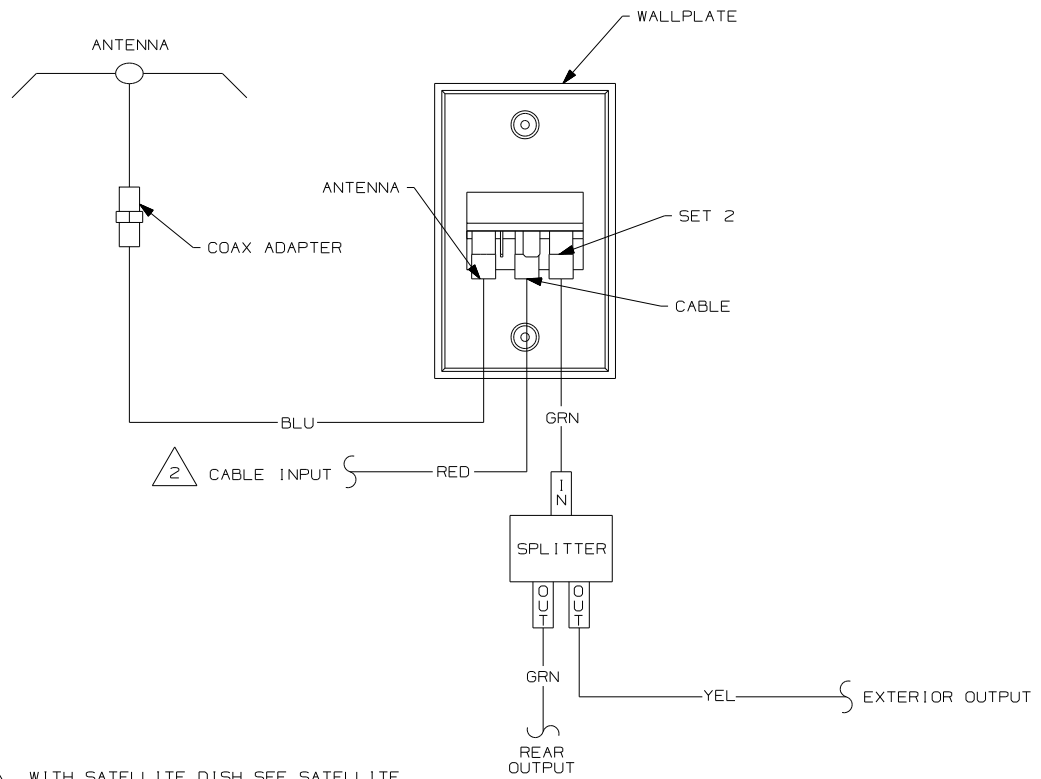
FIRST USED	
07 MOTORHOMES	
DO NOT SCALE DRAWING	
TITLE:	
WIRING INSTL-TRIP COMPUTER	
SHEET 2	PART NO 156349



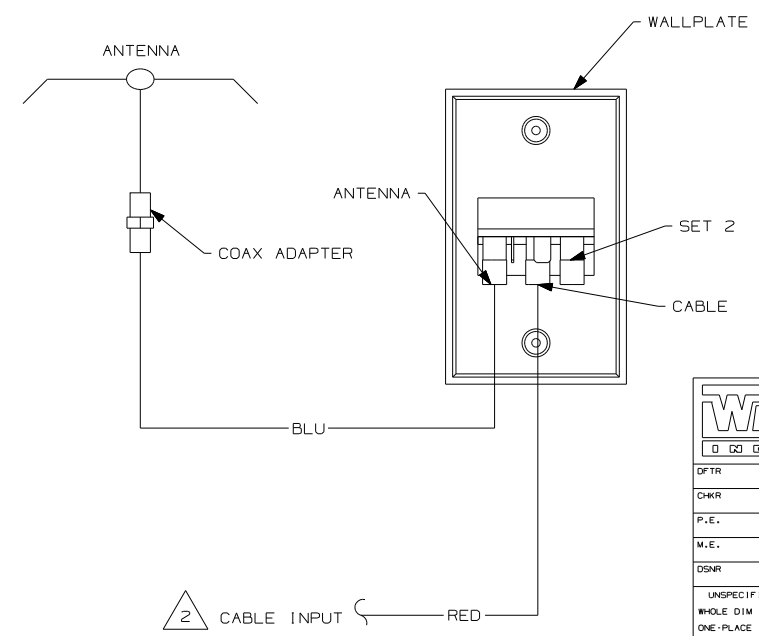
WITH TV AND EITHER EXTERIOR ENTERTAINMENT CENTER OR REAR OUTPUT



WITH EITHER EXTERIOR ENTERTAINMENT CENTER OR REAR OUTPUT



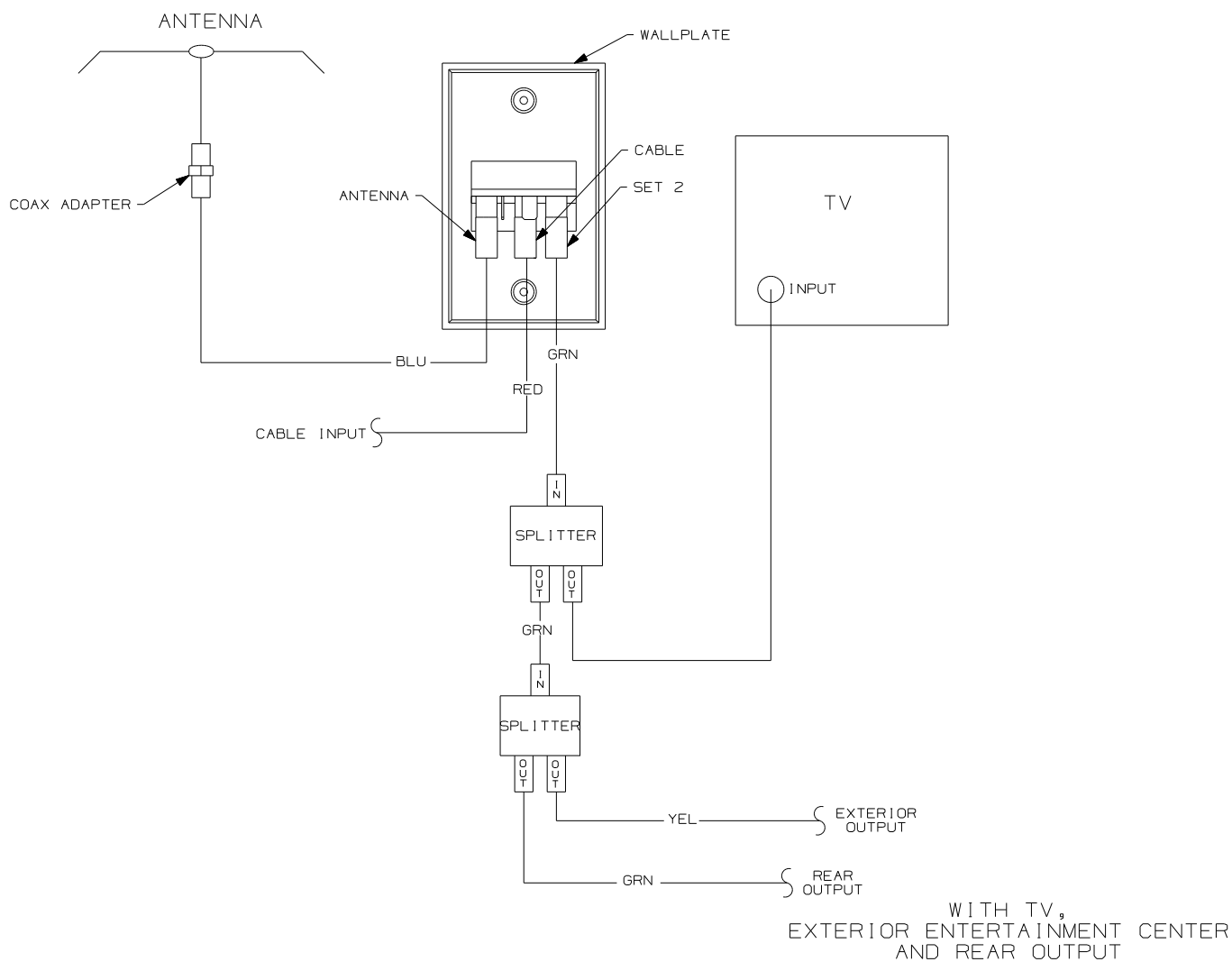
WITH EXTERIOR ENTERTAINMENT CENTER AND REAR OUTPUT



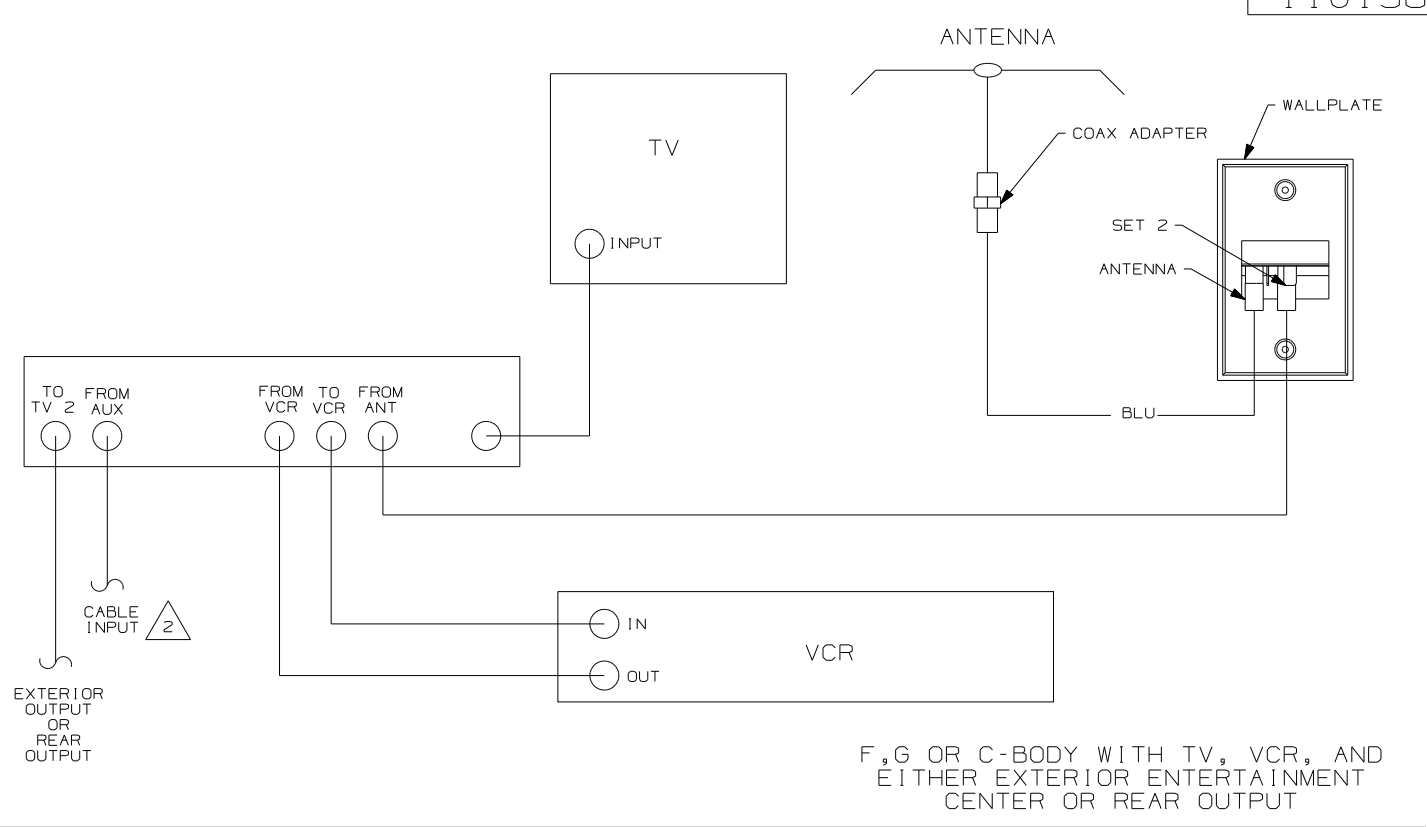
WITHOUT EITHER EXTERIOR ENTERTAINMENT CENTER OR REAR OUTPUT

NOTES:
 2 WITH SATELLITE DISH SEE SATELLITE DISH VIEW SHT 2 BOTTOM LEFT.
 1 COLOR INDICATES IDENTIFICATION TAPE.

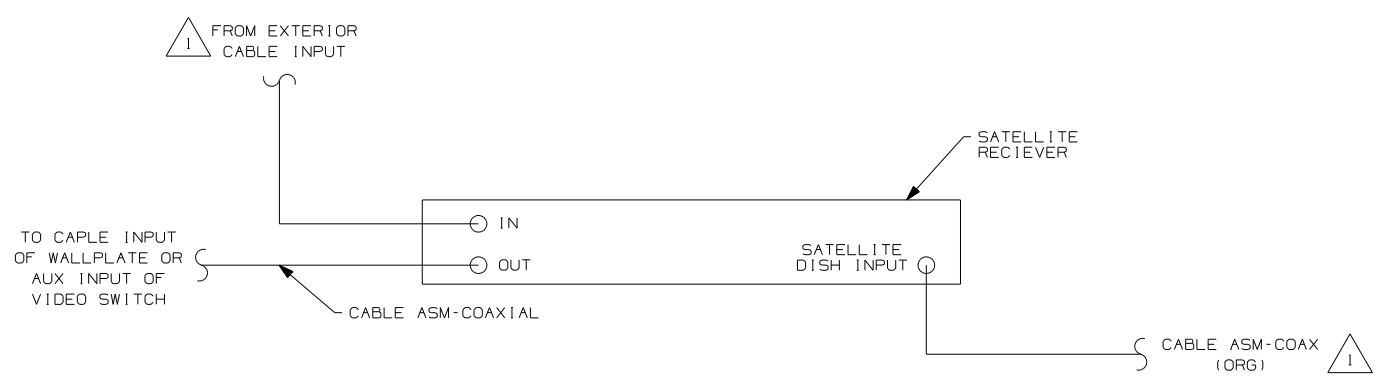
WINNEBAGO		COPYRIGHT 2004 WINNEBAGO INDUSTRIES, INC.	
DFTR	ORIG. DATE	ALL DIMENSIONS ARE IN MILLIMETERS	
CHKR		FIRST USED	
P.E.		93 MOTORHAMES	
M.E.		UNSPECIFIED TOLERANCES ARE:	
DSNR		MATERIAL:	
		WHOLE DIM (X)	:
		ONE-PLACE (X.X)	:
		TWO-PLACE (X.XX)	:
		ANGLE	:
		THIRD ANGLE PROJECTION	⊕
DO NOT SCALE DRAWING			
TITLE: WIRING DIAGRAM-TV COAX			
SHEET 1 OF 2	PART NO	110138	
REF:		1 07/08/2004	



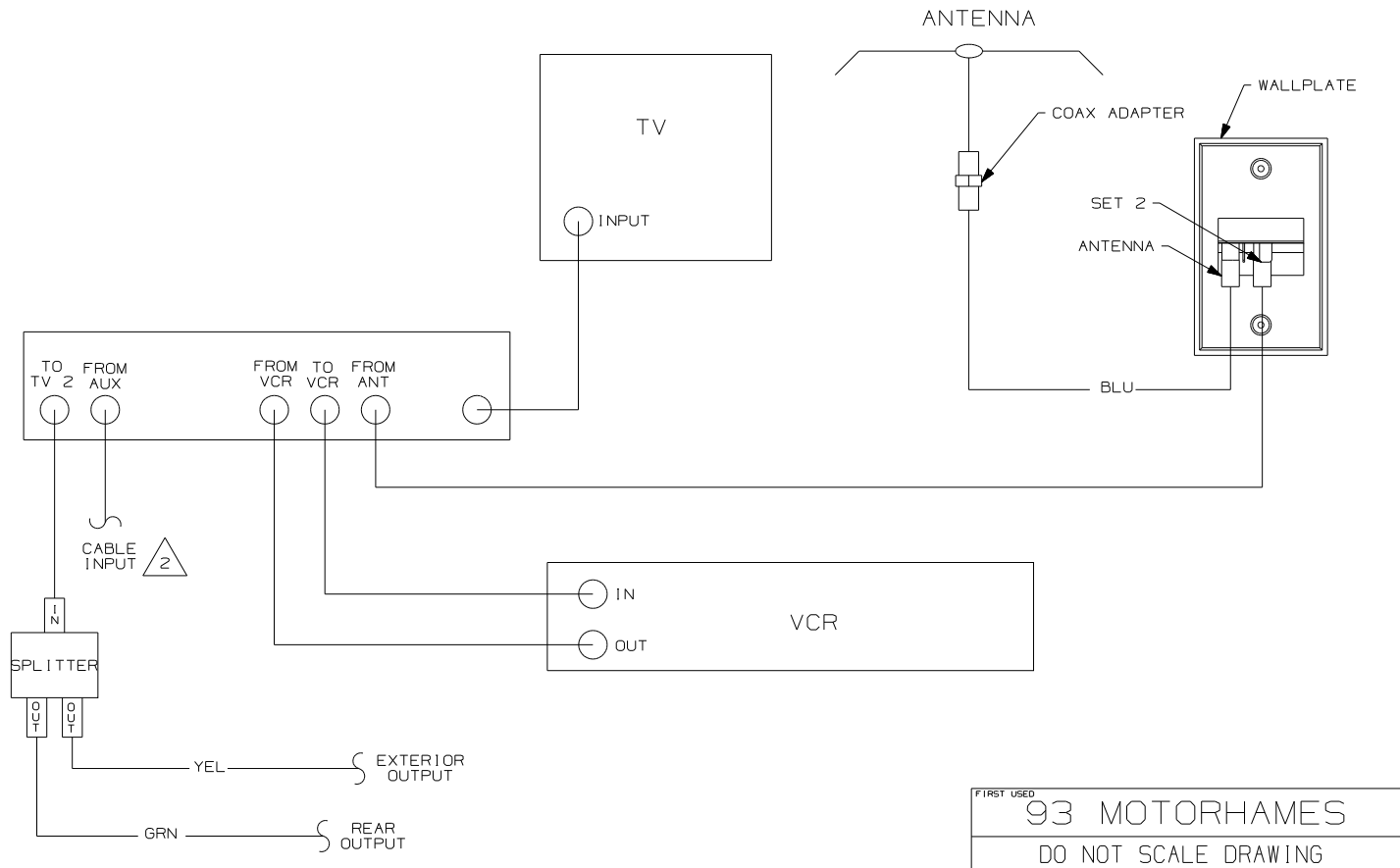
WITH TV, EXTERIOR ENTERTAINMENT CENTER AND REAR OUTPUT



F,G OR C-BODY WITH TV, VCR, AND EITHER EXTERIOR ENTERTAINMENT CENTER OR REAR OUTPUT



- NOTES:
- 2 WITH SATELLITE DISH SEE SATELLITE DISH VIEW BOTTOM LEFT.
 - 1 CONNECT TV COAX TO JACK ON FRONT OF WALLPLATE.

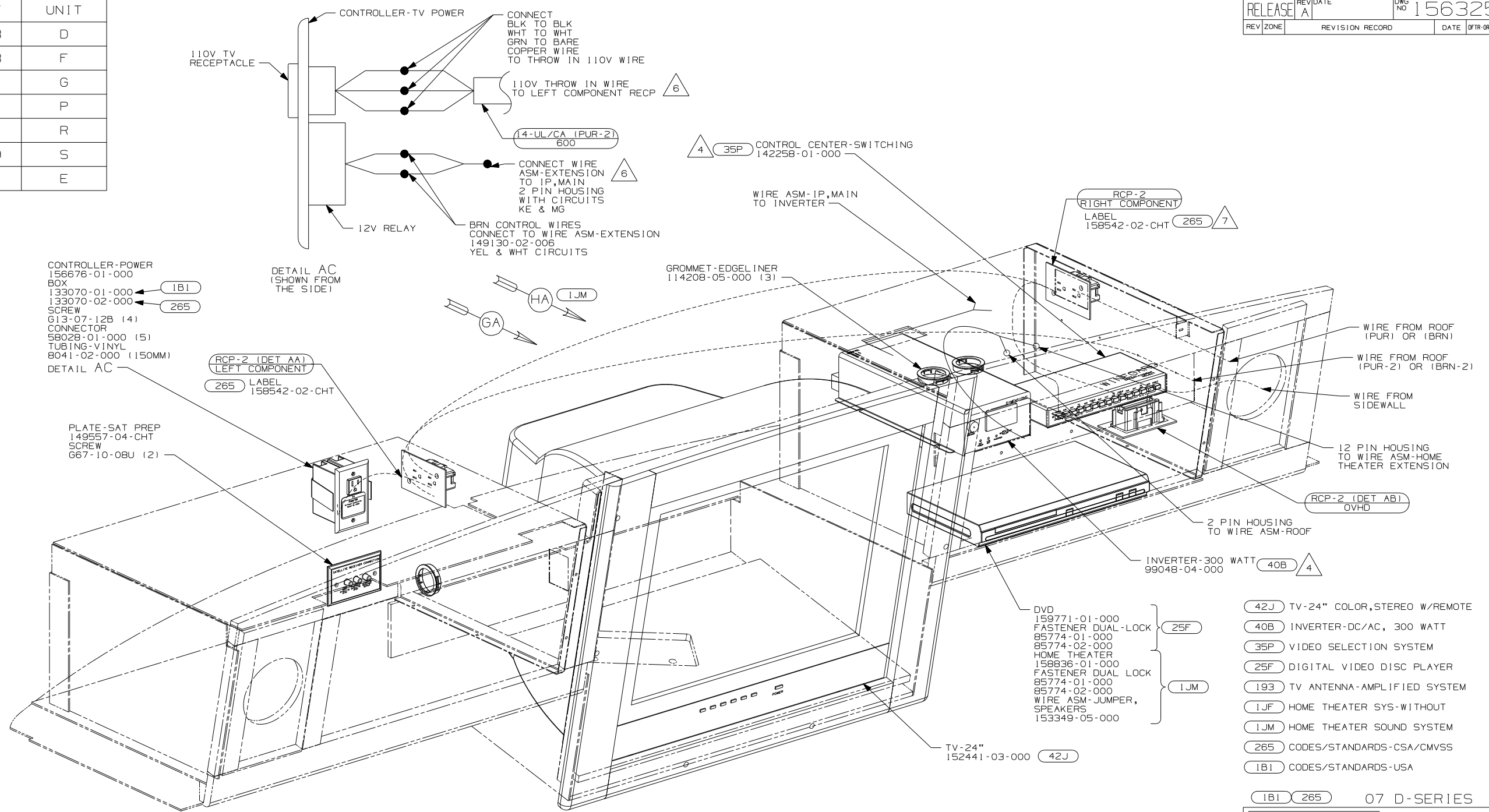


N,M OR P-SERIES WITH TV AND VCR OR F,G OR C-BODY WITH TV, VCR, EXTERIOR ENTERTAINMENT CENTER AND REAR OUTPUT

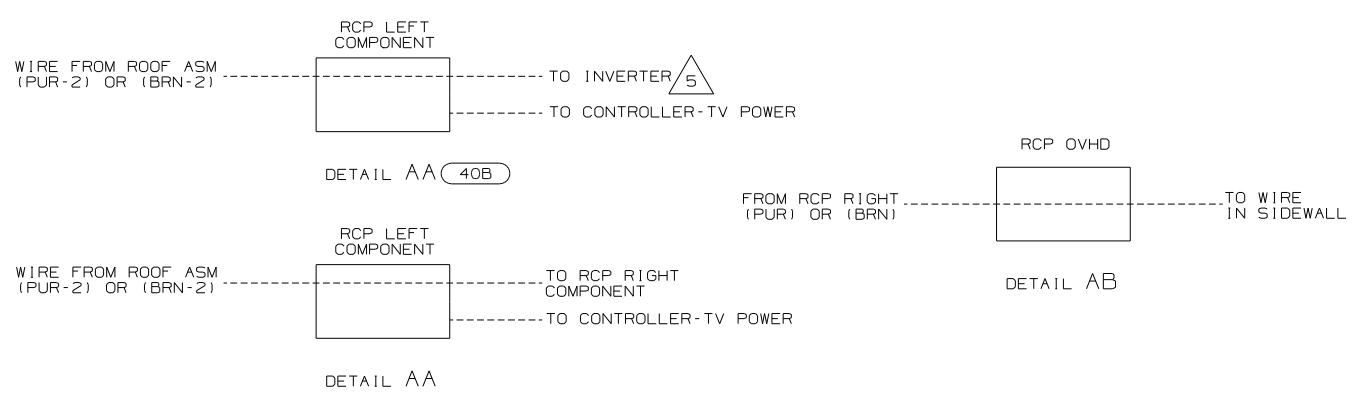
FIRST USED	
93 MOTORHAMES	
DO NOT SCALE DRAWING	
TITLE: WIRING DIAGRAM-TV COAX	
SHEET 2	PART NO 110138

DRAWING NO.	SHEET	UNIT
156325-01	1, 7, 8	D
156325-02	2, 7, 8	F
156325-03	3, 8	G
156325-04	4, 8	P
156325-05	5, 8	R
156325-06	6, 8, 9	S
156325-07	10, 11	E

RELEASE REV/DATE A 156325
 REV ZONE REVISION RECORD DATE DFR-ORIG



- NOTES:
- 110V WIRE TO BE CLAMPED WITH CLAMP 10497-05-000 WITHIN 200MM OF OUTLET BOXES, USE SCREW 667-10-12B.
 - ALL WIRES TO BE SECURED WITH CLAMP 10495-01-000 OR CLIP 80734-01-000 EVERY 600MM. USE SCREW 667-10-12B UNLESS OTHERWISE SPECIFIED.
 - WHERE WIRES PASS THROUGH HOLES IN STEEL AND NOT OTHERWISE PROTECTED, USE GROMMET 92908-02-000.
- 7 WITH 1JF AND WITHOUT 256
 6 ROUTE 110V AND 12V WIRES IN OPPOSITE ENDS OF ELECTRICAL BOX.
 5 CONNECT PURPLE-2/BROWN-2 TO INVERTER WITH FEATURE 40B
 4 SLIDE INVERTER AND VIDEO SWITCH INTO RAILS PROVIDED ON SHELF ASM



- 42J TV-24" COLOR, STEREO W/REMOTE
- 40B INVERTER-DC/AC, 300 WATT
- 35P VIDEO SELECTION SYSTEM
- 25F DIGITAL VIDEO DISC PLAYER
- 193 TV ANTENNA-AMPLIFIED SYSTEM
- 1JF HOME THEATER SYS-WITHOUT
- 1JM HOME THEATER SOUND SYSTEM
- 265 CODES/STANDARDS-CSA/CMVSS
- 1B1 CODES/STANDARDS-USA

1B1 265 07 D-SERIES

WINNEBAGO COPYRIGHT 2006 WINNEBAGO INDUSTRIES, INC.

DFTR	ORIG. DATE
CHKR	ALL DIMENSIONS ARE IN MILLIMETERS
P.E.	FIRST USED
M.E.	07 A-BODIES
DSNR	

UNSPECIFIED TOLERANCES ARE:
 WHOLE DIM (X) : 3
 ONE-PLACE (X.X) : 1.5
 TWO-PLACE (X.XX) : 0.50
 ANGLE : 1°

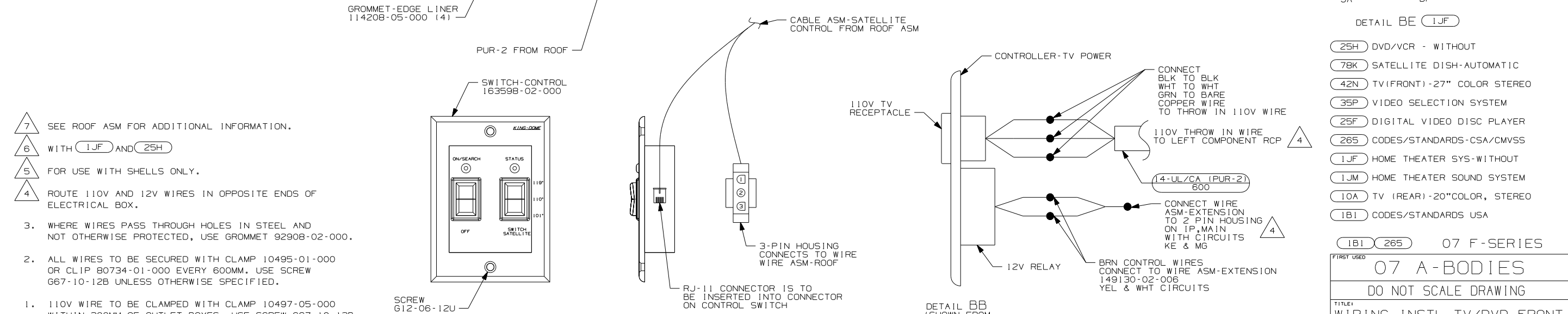
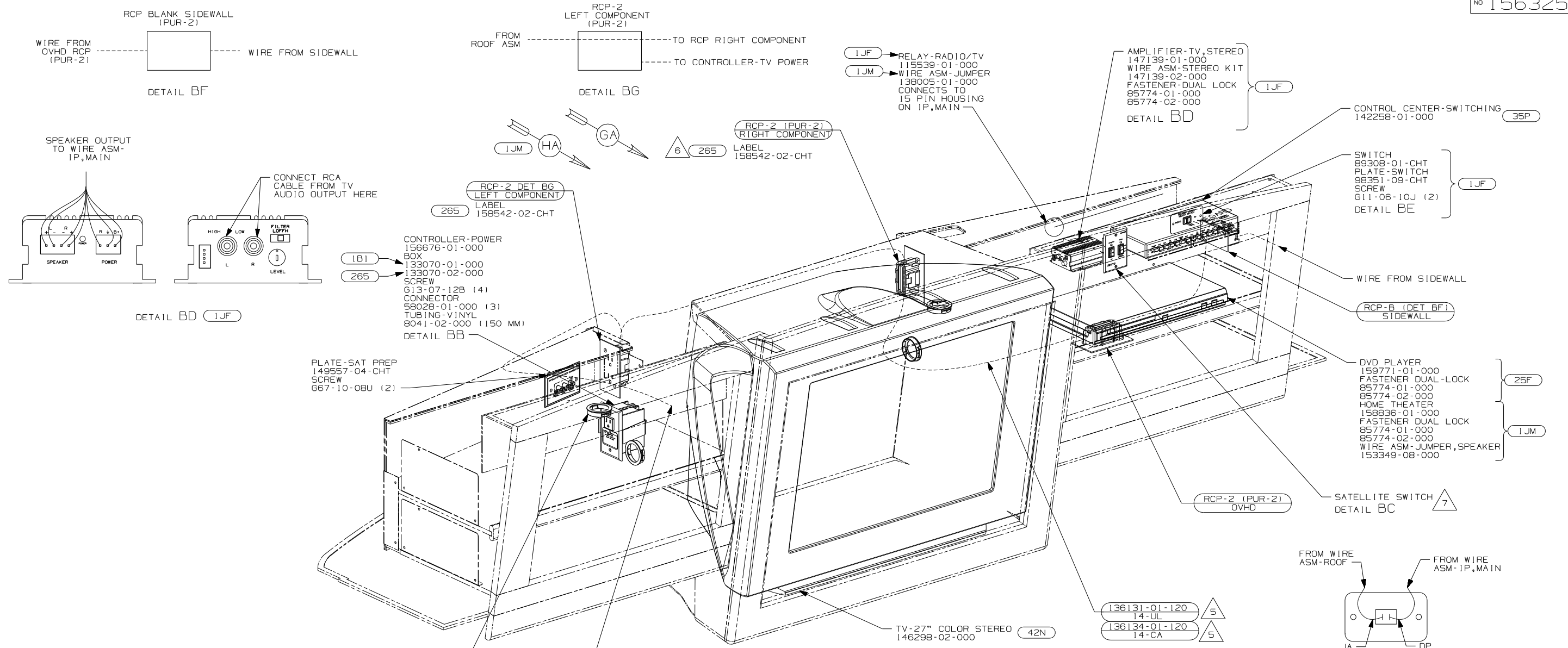
THIRD ANGLE PROJECTION

DO NOT SCALE DRAWING

TITLE: WIRING INSTL-TV/DVD, FRONT

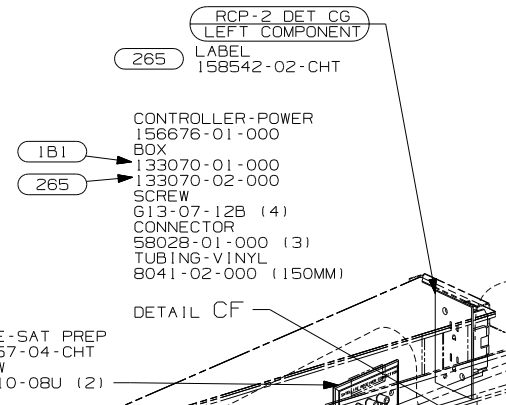
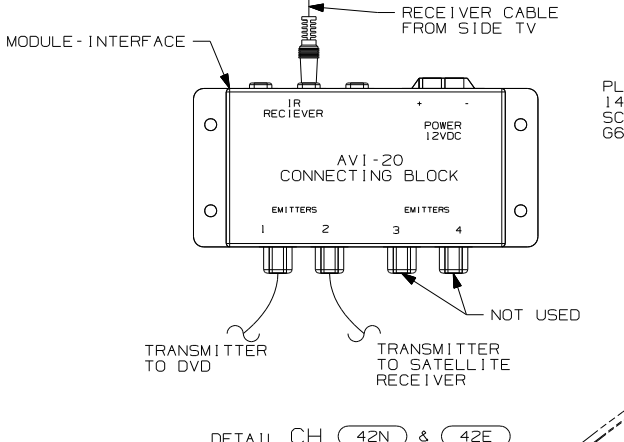
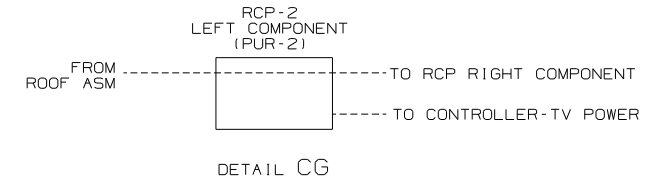
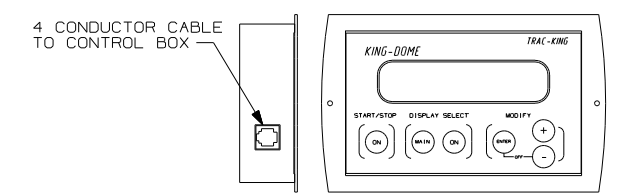
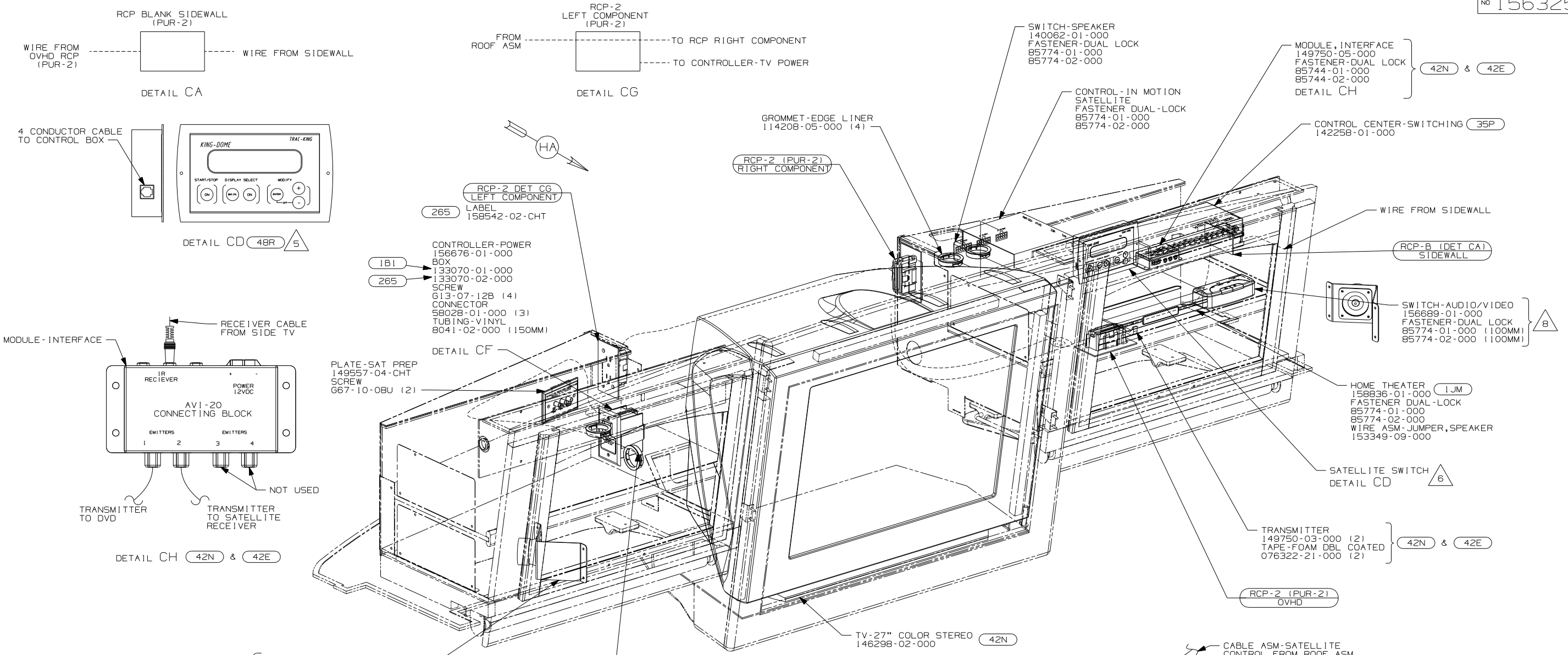
SHEET 1 OF 11 PART NO 156325 REV

REF: 1 2/7/2007

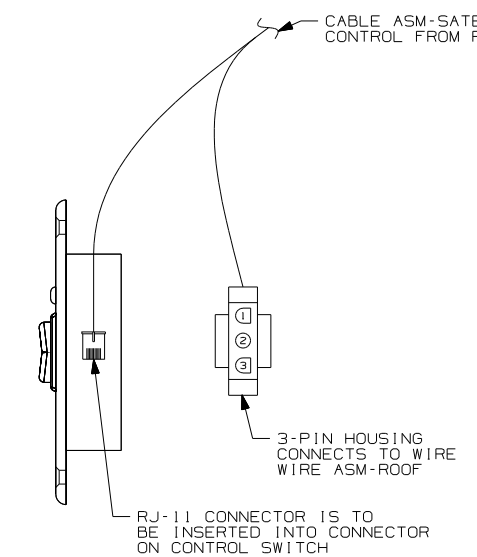
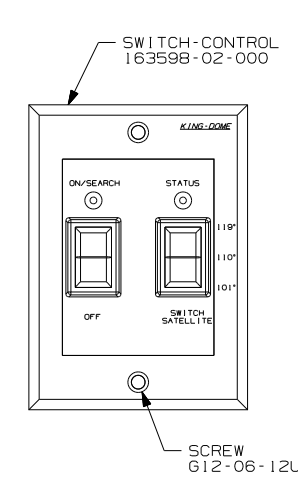
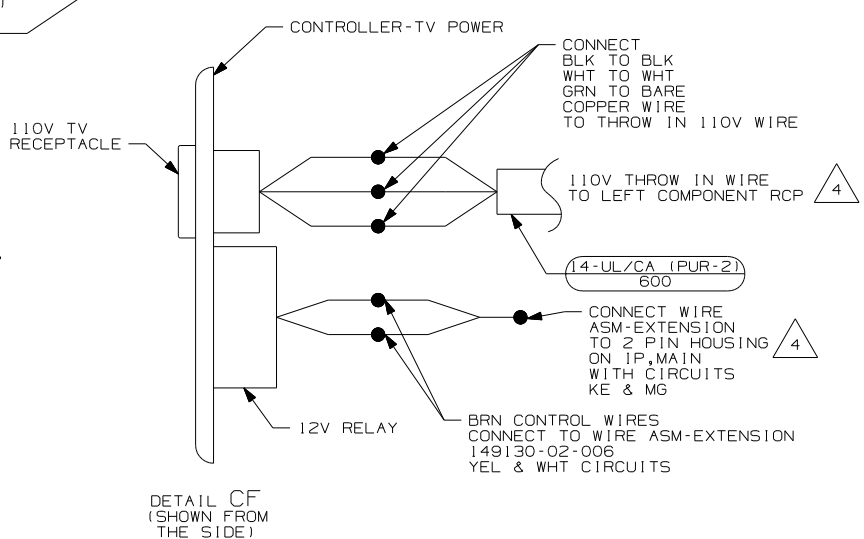


- NOTES:
- 7 SEE ROOF ASM FOR ADDITIONAL INFORMATION.
 - 6 WITH 1JF AND 25H
 - 5 FOR USE WITH SHELLS ONLY.
 - 4 ROUTE 110V AND 12V WIRES IN OPPOSITE ENDS OF ELECTRICAL BOX.
 - 3. WHERE WIRES PASS THROUGH HOLES IN STEEL AND NOT OTHERWISE PROTECTED, USE GROMMET 92908-02-000.
 - 2. ALL WIRES TO BE SECURED WITH CLAMP 10495-01-000 OR CLIP 80734-01-000 EVERY 600MM. USE SCREW 667-10-12B UNLESS OTHERWISE SPECIFIED.
 - 1. 110V WIRE TO BE CLAMPED WITH CLAMP 10497-05-000 WITHIN 200MM OF OUTLET BOXES, USE SCREW 667-10-12B.

25H	DVD/VCR - WITHOUT
78K	SATELLITE DISH-AUTOMATIC
42N	TV(FRONT)-27" COLOR STEREO
35P	VIDEO SELECTION SYSTEM
25F	DIGITAL VIDEO DISC PLAYER
265	CODES/STANDARDS-CSA/CMVSS
1JF	HOME THEATER SYS-WITHOUT
1JM	HOME THEATER SOUND SYSTEM
10A	TV (REAR)-20"COLOR, STEREO
1B1	CODES/STANDARDS USA
1B1 265	07 F-SERIES
FIRST USED	
07 A-BODIES	
DO NOT SCALE DRAWING	
TITLE: WIRING INSTL-TV/DVD,FRONT	
SHEET 2	PART NO 156325 REV
1 2/1/2007	

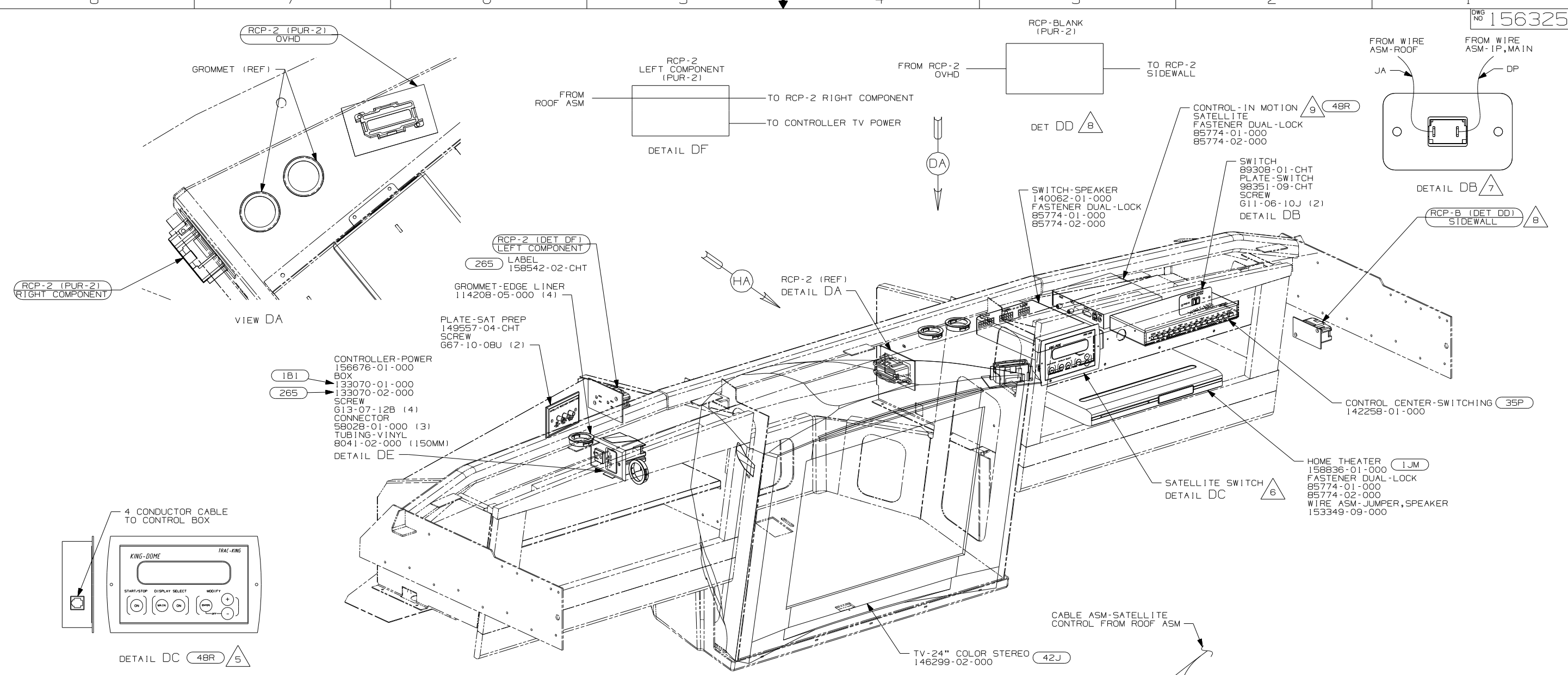


- NOTES:
- 110V WIRE TO BE CLAMPED WITH CLAMP 10497-05-000 WITHIN 200MM OF OUTLET BOXES, USE SCREW G67-10-12B.
 - WHERE WIRES PASS THROUGH HOLES IN STEEL AND NOT OTHERWISE PROTECTED, USE GROMMET 92908-02-000.
 - ALL WIRES TO BE SECURED WITH CLAMP 10495-01-000 OR CLIP 80734-01-000 EVERY 600MM. USE SCREW G67-10-12B UNLESS OTHERWISE SPECIFIED.
 - PARTS ARE SUPPLIED WITH SATELLITE KIT 154474-02-000.
 - ROUTE 110V AND 12V WIRES IN OPPOSITE ENDS OF ELECTRICAL BOX.
 - SEE ROOF ASM FOR ADDITIONAL INFORMATION.
 - MOUNT SPEAKER & BRACKET TO REMOVABLE SPEAKER COVER ON SIDE OF OVHD CABINET
 - USED ON G37B ONLY WITH 42N & 42E



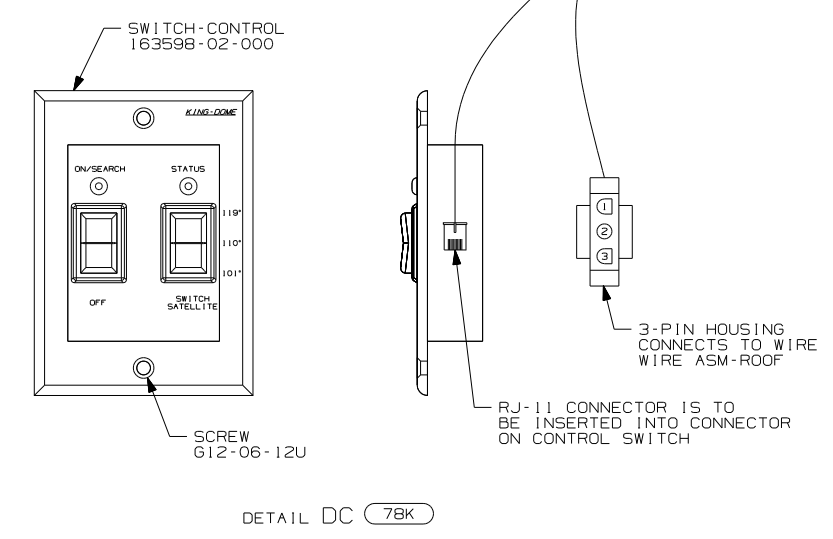
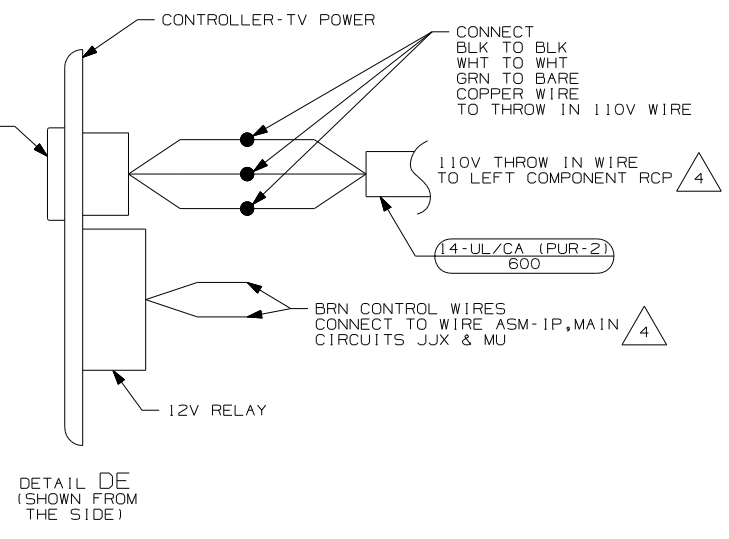
- 42E TV-27" COLOR,STEREO W/REMOTE
- 78K SATELLITE DISH-AUTOMATIC
- 48R SAT SYS IN-MOTION W/O RCVR
- 42N TV(FRONT)-27" COLOR STEREO
- 35P VIDEO SELECTION SYSTEM
- 1JM HOME THEATER SOUND SYSTEM
- 265 CODES/STANDARDS-CSA/CMVSS
- 1B1 CODES/STANDARDS USA

FIRST USED	07 A-BODIES	
TITLE	DO NOT SCALE DRAWING	
	WIRING INSTL-TV/DVD,FRONT	
SHEET 3	PART NO	156325



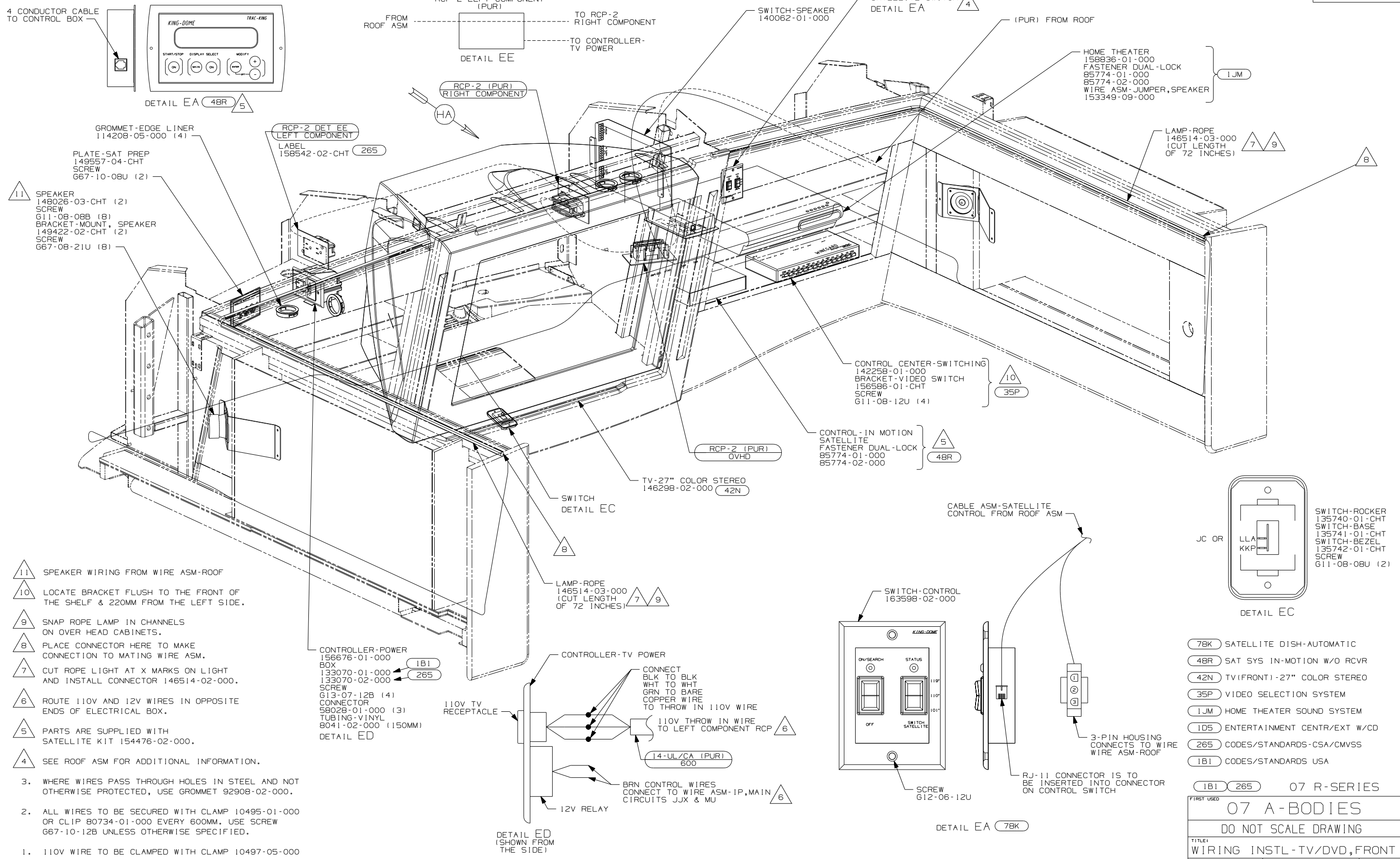
- △ 8 USED ON P39K ONLY.
 - △ 7 REMOVE VINYL FROM CUTOUT AT INSTALATION.
 - △ 6 SEE ROOF ASM FOR ADDITIONAL INFORMATION.
 - △ 5 ROUTE 110V AND 12V WIRES IN OPPOSITE ENDS OF ELECTRICAL BOX.
 - △ 4 PARTS ARE SUPPLIED WITH SATELLITE KIT 154474-02-000.
3. WHERE WIRES PASS THROUGH HOLES IN STEEL AND NOT OTHERWISE PROTECTED, USE GROMMET 92908-02-000.
 2. ALL WIRES TO BE SECURED WITH CLAMP 10495 OR 10497 OR WIRE TIE 8343 OR 108046 EVERY 600MM, USE SCREW G67-10-12B UNLESS OTHERWISE SPECIFIED.
 1. 110V WIRE TO BE CLAMPED WITH CLAMP 10497-05-000 WITHIN 200MM OF OUTLET BOXES, USE SCREW G67-10-12B.

NOTES:



- (79J) INVERTER/CHARGER-1,500 WATT
- (78K) SATELLITE DISH-AUTOMATIC
- (48R) SAT SYS IN-MOTION W/O RCVR
- (42J) TV-24" COLOR, STEREO W/REMOTE
- (35P) VIDEO SELECTION SYSTEM
- (1JM) HOME THEATER SOUND SYSTEM

07 P-SERIES		
FIRST USED		
07 A-BODIES		
DO NOT SCALE DRAWING		
TITLE:		
WIRING INSTL-TV/DVD, FRONT		
SHEET 4	PART NO	REV
	156325	



- 11 SPEAKER WIRING FROM WIRE ASM-ROOF
- 10 LOCATE BRACKET FLUSH TO THE FRONT OF THE SHELF & 220MM FROM THE LEFT SIDE.
- 9 SNAP ROPE LAMP IN CHANNELS ON OVER HEAD CABINETS.
- 8 PLACE CONNECTOR HERE TO MAKE CONNECTION TO MATING WIRE ASM.
- 7 CUT ROPE LIGHT AT X MARKS ON LIGHT AND INSTALL CONNECTOR 146514-02-000.
- 6 ROUTE 110V AND 12V WIRES IN OPPOSITE ENDS OF ELECTRICAL BOX.
- 5 PARTS ARE SUPPLIED WITH SATELLITE KIT 154476-02-000.
- 4 SEE ROOF ASM FOR ADDITIONAL INFORMATION.

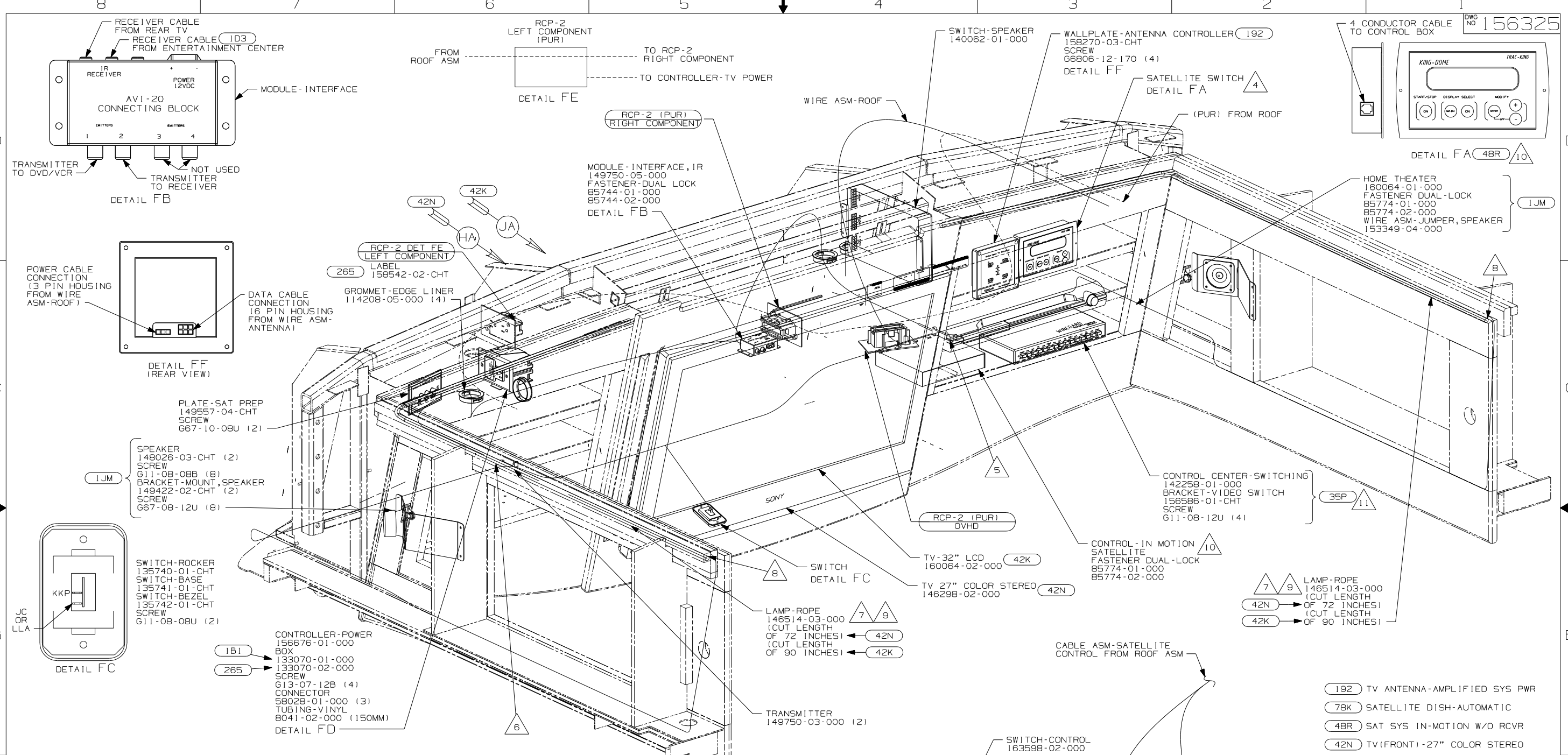
3. WHERE WIRES PASS THROUGH HOLES IN STEEL AND NOT OTHERWISE PROTECTED, USE GROMMET 92908-02-000.
2. ALL WIRES TO BE SECURED WITH CLAMP 10495-01-000 OR CLIP 80734-01-000 EVERY 600MM. USE SCREW 667-10-12B UNLESS OTHERWISE SPECIFIED.

1. 110V WIRE TO BE CLAMPED WITH CLAMP 10497-05-000 WITHIN 200MM OF OUTLET BOXES, USE SCREW 667-10-12B.

NOTES:

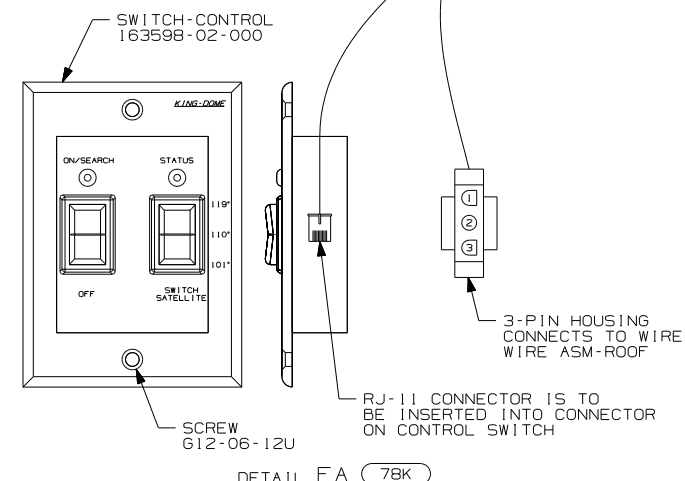
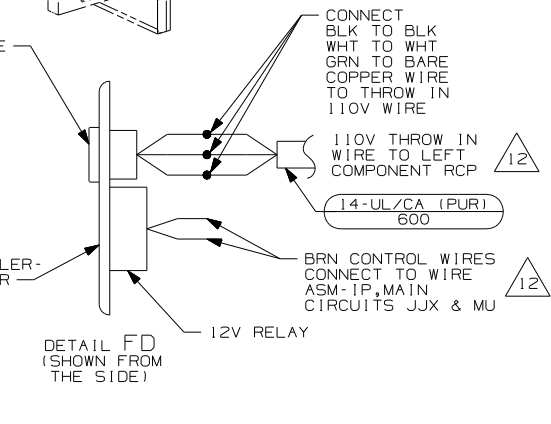
- (78K) SATELLITE DISH-AUTOMATIC
- (48R) SAT SYS IN-MOTION W/O RCVR
- (42N) TV(FRONT)-27" COLOR STEREO
- (35P) VIDEO SELECTION SYSTEM
- (1JM) HOME THEATER SOUND SYSTEM
- (1D5) ENTERTAINMENT CENTR/EXT W/CD
- (265) CODES/STANDARDS-CSA/CMVSS
- (1B1) CODES/STANDARDS USA

FIRST USED		07 R-SERIES	
07 A-BODIES			
DO NOT SCALE DRAWING			
TITLE: WIRING INSTL-TV/DVD,FRONT			
SHEET 5	PART NO	156325	REV



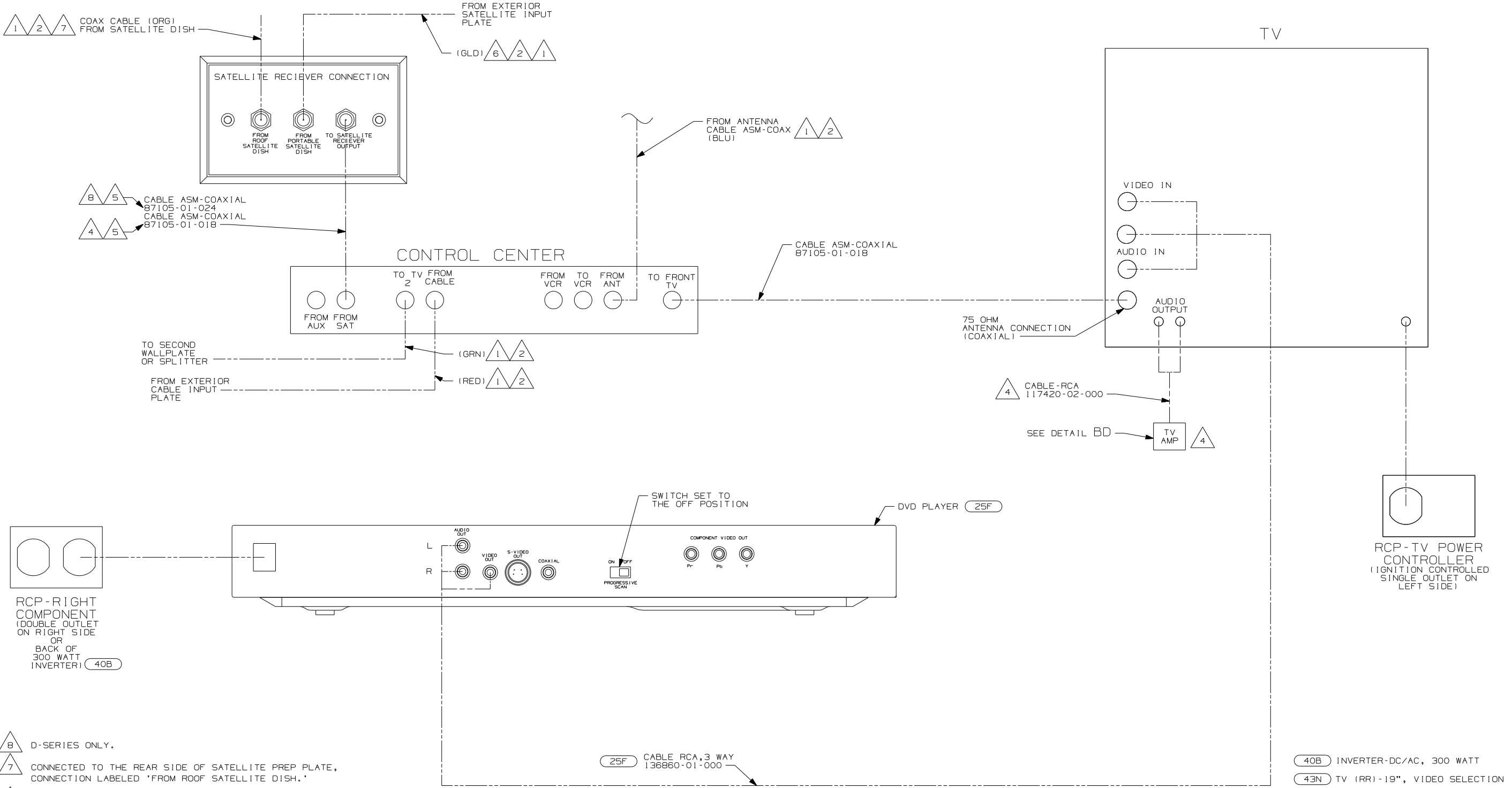
- △ 6 POSITION TRANSMITTER IN THE MIDDLE OF THE TOP SHELF, TOWARD OUTER EDGE OF SHELF.
 - △ 5 POSITION TRANSMITTER ON THE FRONT LEFT SIDE OF THE DVD/VCR USING TIE-MOUNT 155366-01-000 AND TIE-WIRE 8343-01-000 45MM UP FROM THE BOTTOM TO LINE UP WITH THE RECEIVER EYE.
 - △ 4 SEE ROOF ASM FOR ADDITIONAL INFORMATION.
3. WHERE WIRES PASS THROUGH HOLES IN STEEL AND NOT OTHERWISE PROTECTED, USE GROMMET 92908-02-000.
 2. ALL WIRES TO BE SECURED WITH CLAMP 10495-01-000 OR CLIP 80734-01-000 EVERY 600MM. USE SCREW 667-10-12B UNLESS OTHERWISE SPECIFIED.
 1. 110V WIRE TO BE CLAMPED WITH CLAMP 10497-05-000 WITHIN 200MM OF OUTLET BOXES, USE SCREW 667-10-12B.

- △ 12 ROUTE 110V AND 12V WIRES IN OPPOSITE ENDS OF ELECTRICAL BOX.
- △ 11 LOCATE BRACKET FLUSH TO THE FRONT OF THE SHELF & 220MM FROM THE LEFT SIDE.
- △ 10 PARTS ARE SUPPLIED WITH SATELLITE KIT 154476-02-000.
- △ 9 SNAP ROPE LAMP IN CHANNELS ON OVER HEAD CABINETS.
- △ 8 PLACE CONNECTOR HERE TO MAKE CONNECTION TO MATING WIRE ASM.
- △ 7 CUT ROPE LIGHT AT X MARKS ON LIGHT AND INSTALL CONNECTOR 146514-02-000.



- △ 192 TV ANTENNA-AMPLIFIED SYS PWR
- △ 78K SATELLITE DISH-AUTOMATIC
- △ 48R SAT SYS IN-MOTION W/O RCVR
- △ 42N TV(FRONT)-27" COLOR STEREO
- △ 35P VIDEO SELECTION SYSTEM
- △ 1D5 ENTERTAINMENT CENTR/EXT W/CD
- △ 1D3 ENTERTAIN CENTR/EXT TV-DVD
- △ 1JM HOME THEATER SOUND SYSTEM
- △ 42K TV-32" COLOR, STEREO W/REMOTE
- △ 265 CODES/STANDARDS-CSA/CMVSS
- △ 1B1 CODES/STANDARDS USA

FIRST USED		07 S-SERIES	
07 A-BODIES			
DO NOT SCALE DRAWING			
TITLE: WIRING INSTL-TV/DVD, FRONT			
SHEET 6	PART NO	156325	REV



- 8 D-SERIES ONLY.
- 7 CONNECTED TO THE REAR SIDE OF SATELLITE PREP PLATE, CONNECTION LABELED 'FROM ROOF SATELLITE DISH.'
- 6 CONNECTED TO THE REAR SIDE OF SATELLITE PREP PLATE, CONNECTION LABELED 'FROM PORTABLE SATELLITE DISH.'
- 5 CONNECTED TO THE FRONT SIDE OF SATELLITE PREP PLATE, CONNECTION LABELED 'TO SATELLITE RECEIVER OUTPUT.'
- 4 F-SERIES ONLY
- 3 CABLE IS SUPPLIED WITH RECEIVER.
- 2 CABLE ROUTED IN ROOF.
- 1 CABLE ASM MARKED WITH COLORED TAPE.

NOTES:

25F CABLE RCA, 3 WAY 136860-01-000

DETAIL GA

- 40B INVERTER-DC/AC, 300 WATT
- 43N TV (RR)-19", VIDEO SELECTION
- 25F DIGITAL VIDEO DISC PLAYER
- 265 CODES/STANDARDS-CSA/CMVSS
- 1B1 CODES/STANDARDS USA

1B1 265 D & F-SERIES

FIRST USED 07 A-BODIES

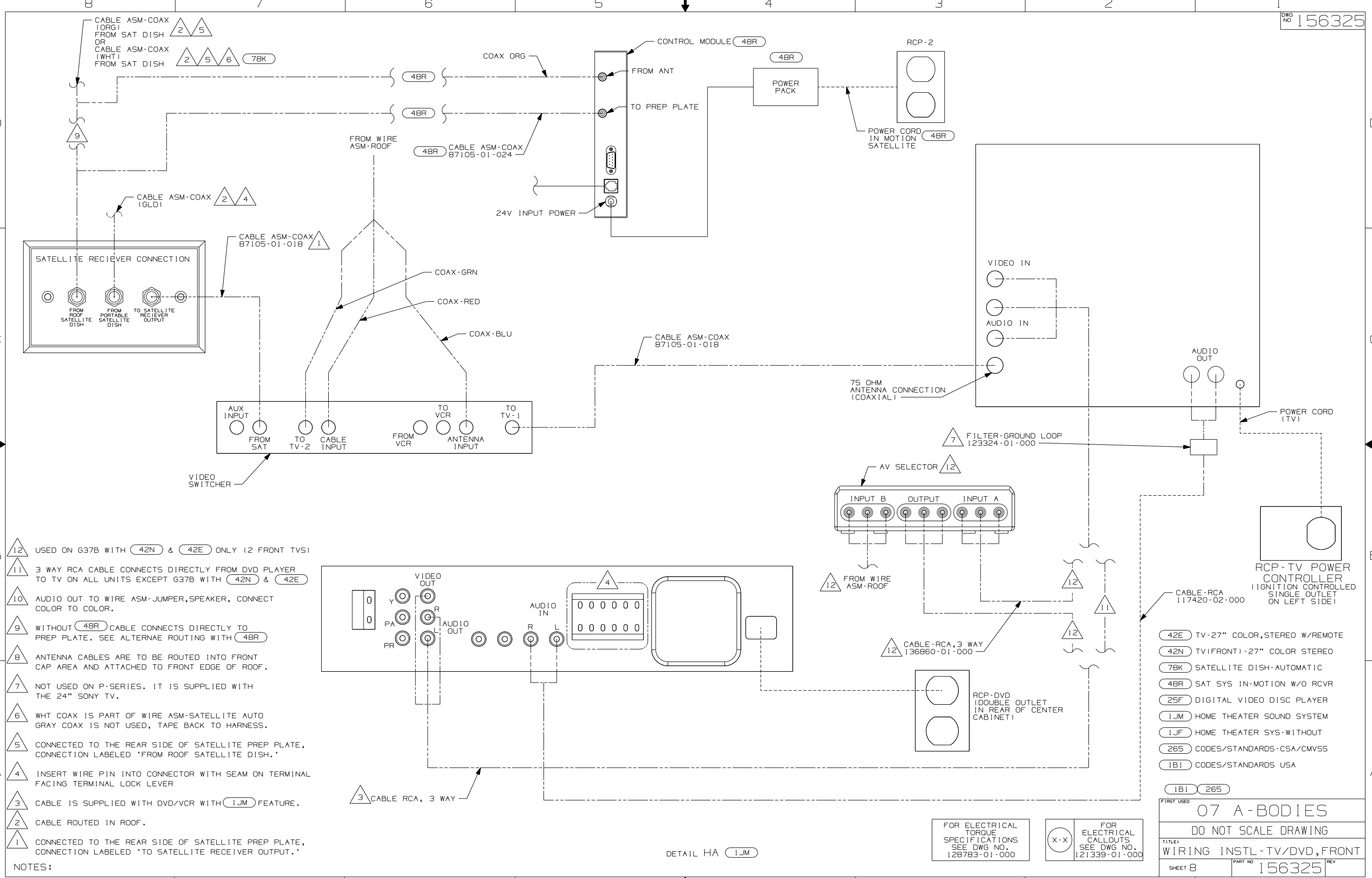
DO NOT SCALE DRAWING

TITLE: WIRING INSTL-TV/DVD,FRONT

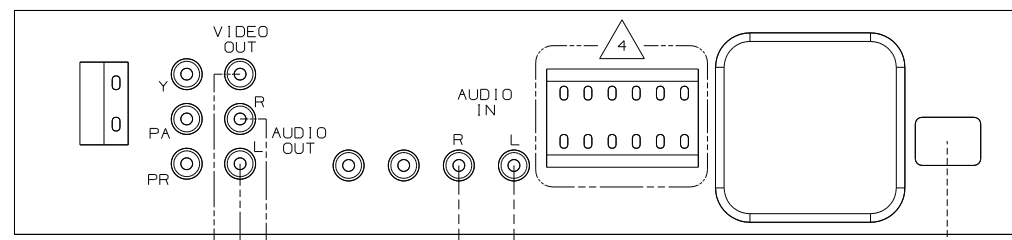
SHEET 7 PART NO 156325 REV

FOR ELECTRICAL TORQUE SPECIFICATIONS SEE DWG NO. 128783-01-000

X-X FOR ELECTRICAL CALLOUTS SEE DWG NO. 121339-01-000



- 12 USED ON G37B WITH 42N & 42E ONLY (2 FRONT TVS)
- 11 3 WAY RCA CABLE CONNECTS DIRECTLY FROM DVD PLAYER TO TV ON ALL UNITS EXCEPT G37B WITH 42N & 42E
- 10 AUDIO OUT TO WIRE ASM-JUMPER, SPEAKER, CONNECT COLOR TO COLOR.
- 9 WITHOUT 48R CABLE CONNECTS DIRECTLY TO PREP PLATE. SEE ALTERNATE ROUTING WITH 48R
- 8 ANTENNA CABLES ARE TO BE ROUTED INTO FRONT CAP AREA AND ATTACHED TO FRONT EDGE OF ROOF.
- 7 NOT USED ON P-SERIES. IT IS SUPPLIED WITH THE 24" SONY TV.
- 6 WHT COAX IS PART OF WIRE ASM-SATELLITE AUTO GRAY COAX IS NOT USED, TAPE BACK TO HARNESS.
- 5 CONNECTED TO THE REAR SIDE OF SATELLITE PREP PLATE, CONNECTION LABELED 'FROM ROOF SATELLITE DISH.'
- 4 INSERT WIRE PIN INTO CONNECTOR WITH SEAM ON TERMINAL FACING TERMINAL LOCK LEVER
- 3 CABLE IS SUPPLIED WITH DVD/VCR WITH 1JM FEATURE.
- 2 CABLE ROUTED IN ROOF.
- 1 CONNECTED TO THE REAR SIDE OF SATELLITE PREP PLATE, CONNECTION LABELED 'TO SATELLITE RECEIVER OUTPUT.'



FOR ELECTRICAL TORQUE SPECIFICATIONS SEE DWG NO. 128783-01-000

FOR ELECTRICAL CALLOUTS SEE DWG NO. 121339-01-000

- 42E TV-27" COLOR, STEREO W/REMOTE
- 42N TV(FRONT)-27" COLOR STEREO
- 78K SATELLITE DISH-AUTOMATIC
- 48R SAT SYS IN-MOTION W/O RCVR
- 25F DIGITAL VIDEO DISC PLAYER
- 1JM HOME THEATER SOUND SYSTEM
- 1JF HOME THEATER SYS-WITHOUT
- 265 CODES/STANDARDS-CSA/CMVSS
- 1B1 CODES/STANDARDS USA

FIRST USED

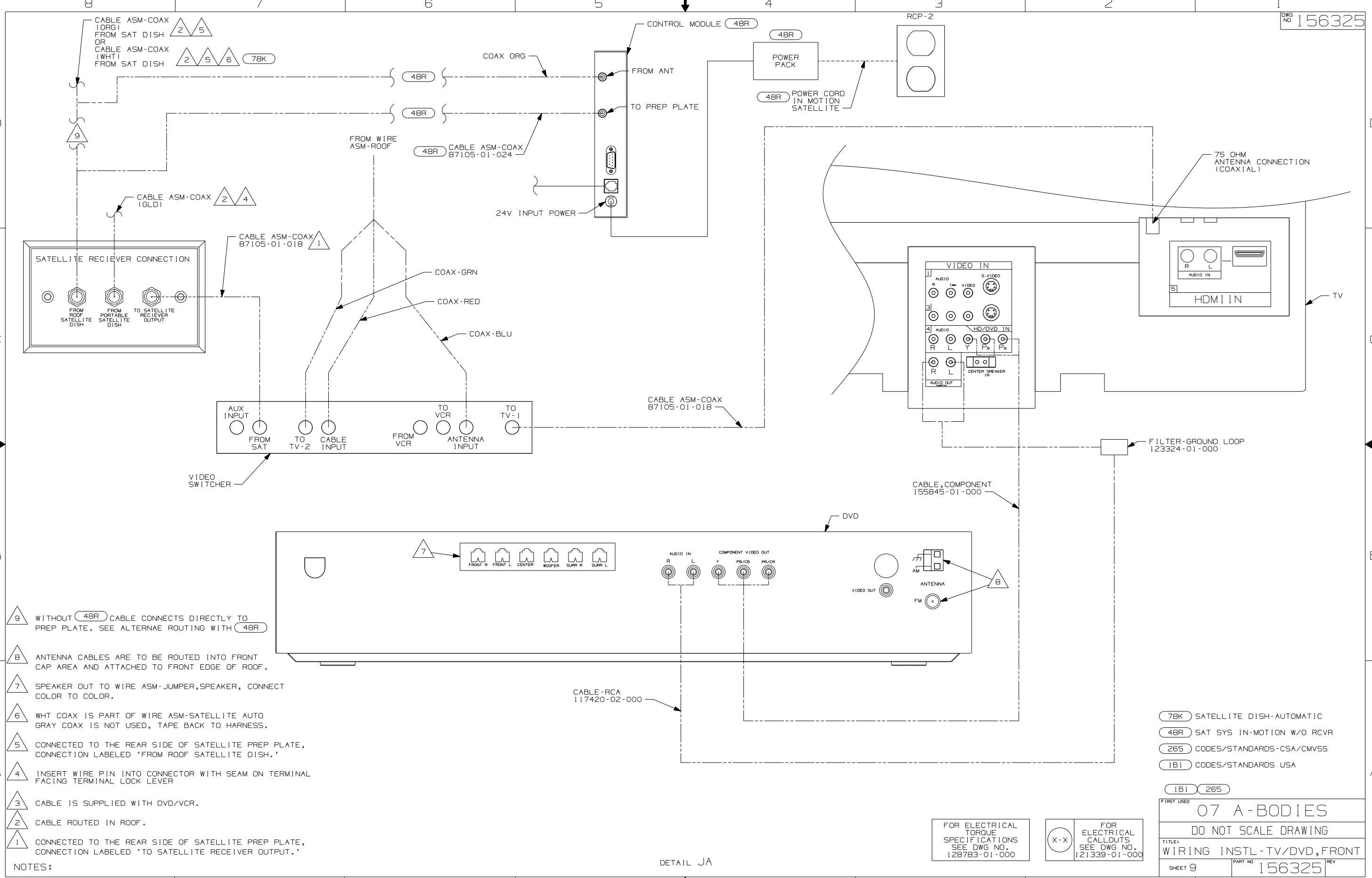
07 A-BODIES

DO NOT SCALE DRAWING

TITLE: WIRING INSTL-TV/DVD, FRONT

SHEET 8 PART NO 156325 REV

1 2/7/2007



- NOTES:
- 9 WITHOUT 48R CABLE CONNECTS DIRECTLY TO PREP PLATE. SEE ALTERNAE ROUTING WITH 48R
 - 8 ANTENNA CABLES ARE TO BE ROUTED INTO FRONT CAP AREA AND ATTACHED TO FRONT EDGE OF ROOF.
 - 7 SPEAKER OUT TO WIRE ASM-JUMPER, SPEAKER, CONNECT COLOR TO COLOR.
 - 6 WHT COAX IS PART OF WIRE ASM-SATELLITE AUTO GRAY COAX IS NOT USED, TAPE BACK TO HARNESS.
 - 5 CONNECTED TO THE REAR SIDE OF SATELLITE PREP PLATE, CONNECTION LABELED 'FROM ROOF SATELLITE DISH.'
 - 4 INSERT WIRE PIN INTO CONNECTOR WITH SEAM ON TERMINAL FACING TERMINAL LOCK LEVER
 - 3 CABLE IS SUPPLIED WITH DVD/VCR.
 - 2 CABLE ROUTED IN ROOF.
 - 1 CONNECTED TO THE REAR SIDE OF SATELLITE PREP PLATE, CONNECTION LABELED 'TO SATELLITE RECEIVER OUTPUT.'

CABLE - RCA 117420-02-000

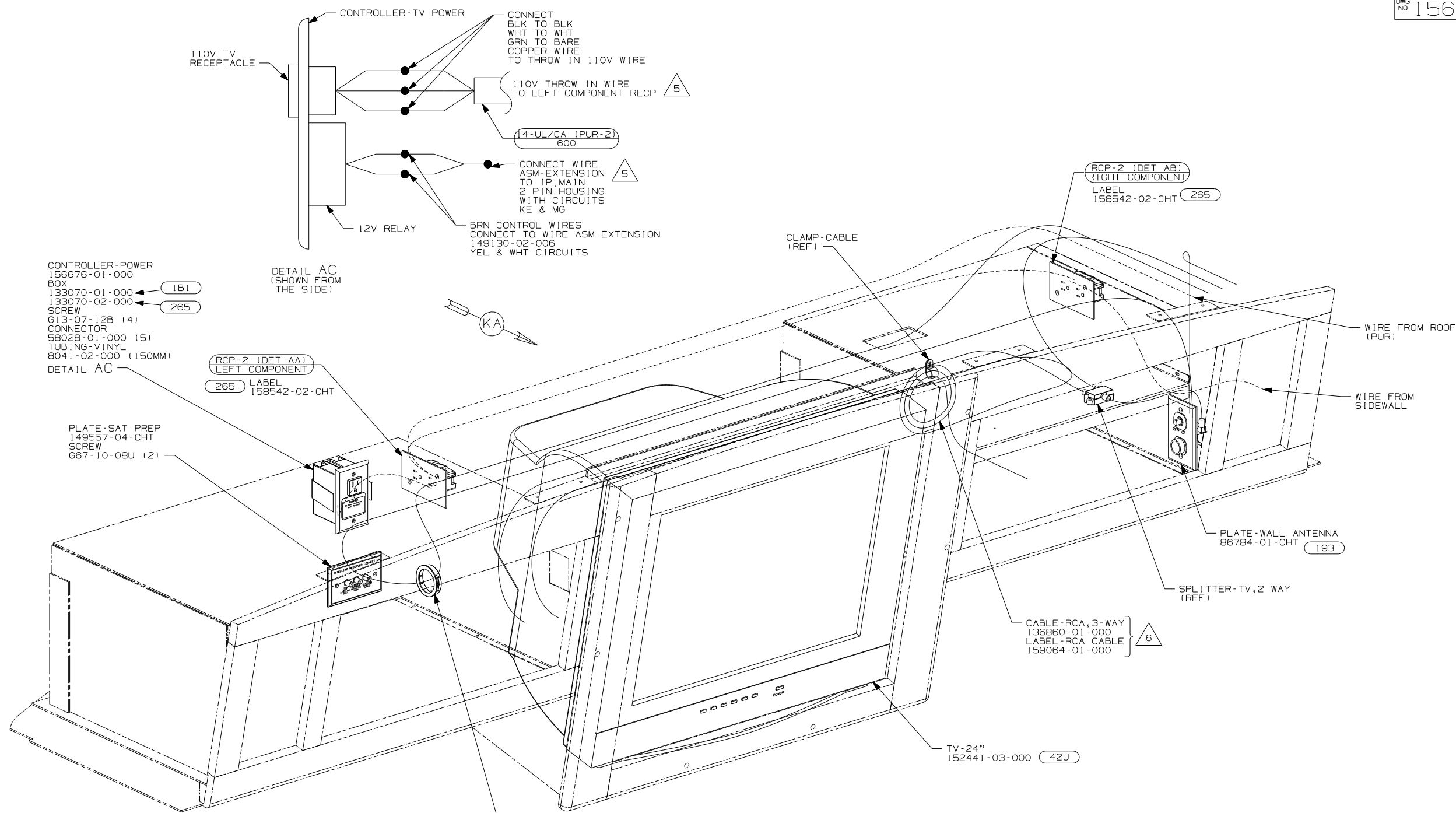
FOR ELECTRICAL TORQUE SPECIFICATIONS SEE DWG NO. 128783-01-000

FOR ELECTRICAL CALLOUTS SEE DWG NO. 121339-01-000

- 7BK SATELLITE DISH-AUTOMATIC
- 48R SAT SYS IN-MOTION W/O RCVR
- 265 CODES/STANDARDS-CSA/CMVSS
- 1B1 CODES/STANDARDS USA

FIRST USED	
07 A-BODIES	
DO NOT SCALE DRAWING	
TITLE: WIRING INSTL-TV/DVD,FRONT	
SHEET 9	PART NO 156325 REV

DETAIL JA



- CONTROLLER-POWER 156676-01-000
- BOX 133070-01-000
- 133070-02-000
- SCREW 613-07-12B (4)
- CONNECTOR 58028-01-000 (5)
- TUBING-VINYL 8041-02-000 (150MM)

DETAIL AC (SHOWN FROM THE SIDE)

RCP-2 (DET AA) LEFT COMPONENT LABEL 158542-02-CHT

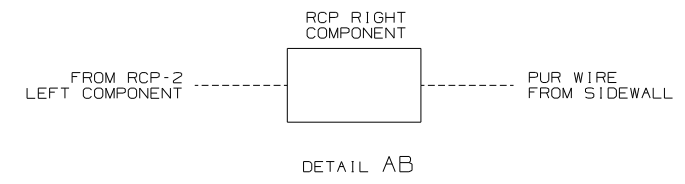
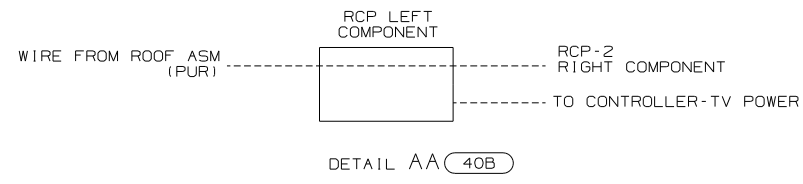
PLATE-SAT PREP 149557-04-CHT SCREW 667-10-08U (2)

CABLE-RCA, 3-WAY 136860-01-000 LABEL-RCA CABLE 159064-01-000

TV-24" 152441-03-000

GROMMET-EDGELINER 114208-05-000

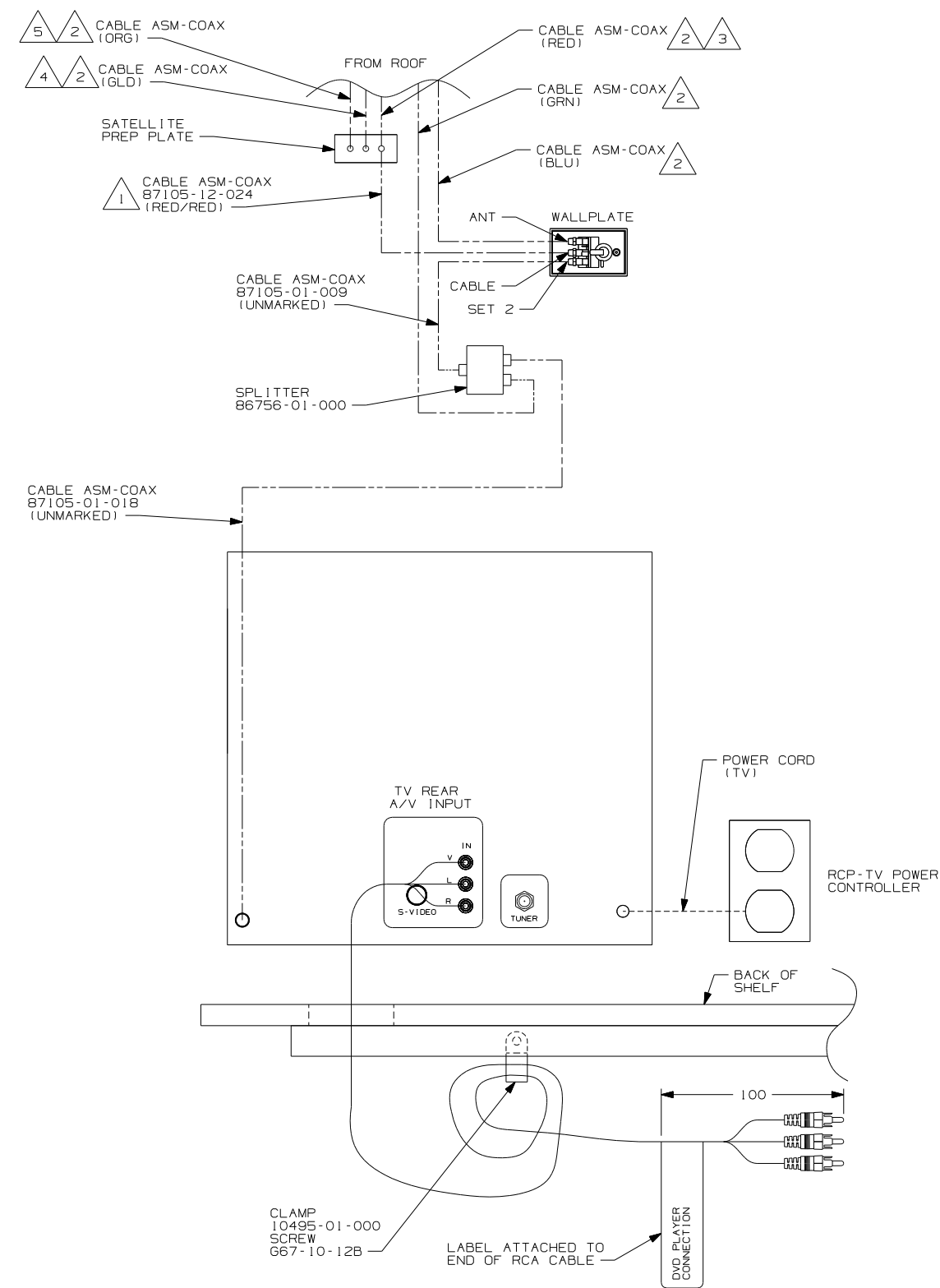
- 6. CONNECT RCA CABLE TO A/V1 ON BEDROOM TV AND INSTALL LABEL ON END OF RCA CABLE. ROUTE CABLE TO SHELF BELOW TV AND COIL FOR USE.
- 5. ROUTE 110V AND 12V WIRES IN OPPOSITE ENDS OF ELECTRICAL BOX.
- 4. SLIDE INVERTER AND VIDEO SWITCH INTO RAILS PROVIDED ON SHELF ASM.
- 3. WHERE WIRES PASS THROUGH HOLES IN STEEL AND NOT OTHERWISE PROTECTED, USE GROMMET 92908-02-000.
- 2. ALL WIRES TO BE SECURED WITH CLAMP 10495-01-000 OR CLIP 80734-01-000 EVERY 600MM. USE SCREW 667-10-12B UNLESS OTHERWISE SPECIFIED.
- 1. 110V WIRE TO BE CLAMPED WITH CLAMP 10497-05-000 WITHIN 200MM OF OUTLET BOXES, USE SCREW 667-10-12B.



- 42J TV-24" COLOR, STEREO W/REMOTE
- 193 TV ANTENNA-AMPLIFIED SYSTEM
- 265 CODES/STANDARDS-CSA/CMVSS
- 1B1 CODES/STANDARDS-USA

FIRST USED		07 E-SERIES	
07 A-BODIES			
DO NOT SCALE DRAWING			
TITLE: WIRING INSTL-TV/DVD, FRONT			
SHEET 10	PART NO	156325	REV

NOTES:



- 5 CONNECTED TO THE REAR SIDE OF SATELLITE PREP PLATE, CONNECTION LABELED 'FROM ROOF SATELLITE DISH.'
- 4 CONNECTED TO THE REAR SIDE OF SATELLITE PREP PLATE, CONNECTION LABELED 'FROM PORTABLE SATELLITE DISH.'
- 3 CONNECTED TO THE FRONT SIDE OF SATELLITE PREP PLATE, CONNECTION LABELED 'TO SATELLITE RECEIVER OUTPUT.'
- 2 CABLE ROUTED IN ROOF.
- 1 CONNECTED TO THE REAR SIDE OF SATELLITE PREP PLATE, CONNECTION LABELED 'TO SATELLITE RECEIVER OUTPUT.'

NOTES:

FOR ELECTRICAL TORQUE SPECIFICATIONS SEE DWG NO. 128783-01-000

FOR ELECTRICAL CALLOUTS SEE DWG NO. 121339-01-000

265	CODES/STANDARDS-CSA/CMVSS
1B1	CODES/STANDARDS USA
1B1 265	E-SERIES
FIRST USED	
07 A-BODIES	
DO NOT SCALE DRAWING	
TITLE:	
WIRING INSTL-TV/DVD,FRONT	
SHEET 11	PART NO 156325 REV
1 2/7/2007	

TERMINALS

SPLICES

HOUSINGS AND TERMINALS

NO.	PART NUMBER	DESCRIPTION
B-1	50003-01	TERMINAL-PIN, 16-14 GA, .156 DIA
B-2	50004-01	TERMINAL-RECP, 16-14 GA, .156 DIA
B-11	50003-02	TERMINAL-PIN, 16-14 GA, .180 DIA
B-12	50004-02	TERMINAL-RECP, 16-14 GA, .180 DIA
WP-1	106950-01	TERMINAL-PIN, 16-14 GA
WP-2	106950-02	TERMINAL-PIN, 10-12 GA
WP-3	106950-03	TERMINAL-PIN, 8 GA
R-1	35416-01	TERMINAL-RING, #10 STD, 8 GA
R-2	35416-02	TERMINAL-RING, #10 STD, 6 GA
R-3	35416-03	TERMINAL-RING, #10 STD, 10-12 GA
R-4	35416-04	TERMINAL-RING, #10 STD, 14-16 GA
R-5	37018-01	TERMINAL-RING, 5/16 STD, 12-10 GA
R-6	102777-01	TERMINAL-RING, #6 STD, 14-16 GA
R-7	102777-02	TERMINAL-RING, #6 STD, 10-12 GA
R-8	102777-03	TERMINAL-RING, #6 STD, 8 GA
R-9	33787-01	TERMINAL-RING, #10 STD, 14 GA
R-60	8325-01	TERMINAL-RING, 1/4 STD, 14-16 GA
R-61	8326-01	TERMINAL-RING, 3/8 STD, 14-16 GA
R-62	8327-01	TERMINAL-RING, #10 STD, 14-16 GA
R-63	8328-01	TERMINAL-RING, #10 STD, 10-12 GA
R-64	8328-02	TERMINAL-RING, 3/8 STD, 10-12 GA
R-65	8329-01	TERMINAL-RING, 3/8 STD, 8 GA
R-66	8331-01	TERMINAL-RING, 3/8 STD, 4 GA
R-67	8332-01	TERMINAL-RING, 1/4 STD, 6 GA
R-68	8332-02	TERMINAL-RING, 1/4 STD, 10 GA
R-69	8350-01	TERMINAL-RING, 3/8 STD, 6 GA
R-70	99275-02	TERMINAL-RING, 7/16 STD, 8 GA
R-71	101397-01	TERMINAL-RING, #10 STD, 14-16 GA
R-91	88791-01	TERMINAL-RING, 3/8, 90°, 1/0 GA
R-92	88791-02	TERMINAL-RING, 3/8, 90°, 2 GA
R-93	8348-01	TERMINAL-RING, 3/8 STD, 2 GA
R-94	99275-01	TERMINAL-RING, 7/16 STD, 1/0 GA
RF-51	7944-01	TERMINAL-SPADE, 12-10 GA, #8 STUD
RF-52	7945-01	TERMINAL-SPADE, 18-14 GA, #8 STUD
TR-1	47443-01	TERMINAL-RECP, 16-14 GA, .25, INS
TR-2	47443-02	TERMINAL-RECP, 12-10 GA, .25, INS
TR-3	47443-05	TERMINAL-RECP, 22-18 GA, .25, INS
TR-11	47443-03	TERMINAL-RECP, 16-14 GA, .19, INS
TR-12	47443-04	TERMINAL-RECP, 16-14 GA, .11, INS
TR-21	80015-01	TERMINAL-RECP, 22-18 GA, .250, 90 DEG FOR USE WITH TAB THICKNESS .032
TR-22	80015-02	TERMINAL-RECP, 16-14 GA, .187, 90 DEG FOR USE WITH TAB THICKNESS .032
TR-23	80015-03	TERMINAL-RECP, 16-14 GA, .250, 90 DEG FOR USE WITH TAB THICKNESS .032
TR-24	80015-04	TERMINAL-RECP, 16-14 GA, .187, 90 DEG FOR USE WITH TAB THICKNESS .020
TR-51	7940-01	TERMINAL-RECP, 16-12 GA, .25, UNINS
TR-52	23809-01	TERMINAL-RECP, 16-14 GA, .19, UNINS
TR-53	23809-02	TERMINAL-RECP, 18-20 GA, .25, UNINS
TR-54	49270-01	TERMINAL-RECP, 18-20 GA, .19, UNINS
TR-55	7940-02	TERMINAL-RECP, 10 GA, .25, UNINS
TT-1	85745-02	TERMINAL-TAB, 16-14 GA, .25, INS
TT-2	85745-03	TERMINAL-TAB, 10-12 GA, .25, INS
TT-11	85745-04	TERMINAL-TAB, 18-22 GA, .19, INS
TT-51	7942-01	TERMINAL-TAB, 16-14 GA, .25, UNINS
TT-52	7943-01	TERMINAL-TAB, 14-10 GA, .25, UNINS
MF6-1	129236-01	TERMINAL-FEM, M/P, 630, 10-12
MF6-2	129236-02	TERMINAL-FEM, M/P, 630, 14-16

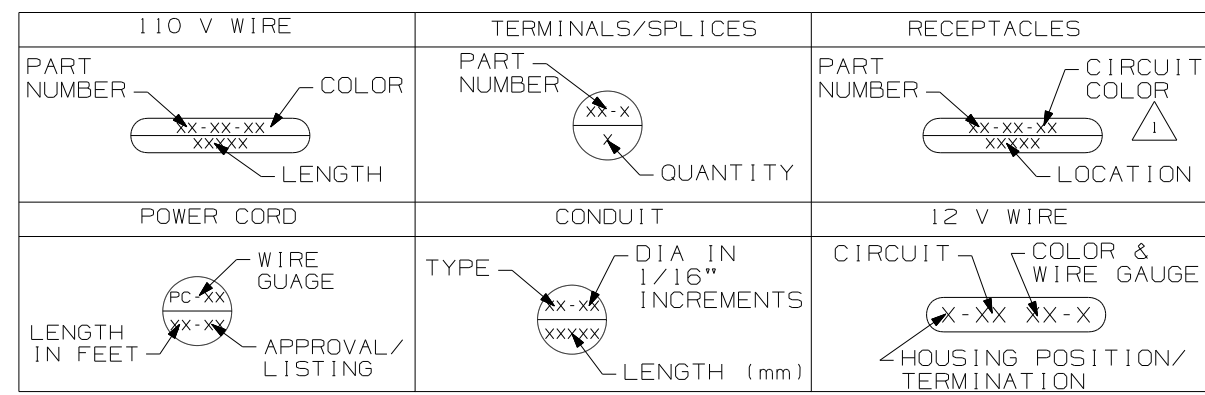
NO.	PART NUMBER	DESCRIPTION
BS-1	31876-01	SPLICE-BUTT, 16-14 GA, BLUE
BS-2	31876-02	SPLICE-BUTT, 12-10 GA, YELLOW
BS-3	31876-03	SPLICE-BUTT, 22-18 GA, RED
BS-SB	100070-01	SPLICE-BUTT, 14-16 GA, SHRINK, BLUE
BS-RB	112823-01	SPLICE-BUTT, 14-22 GA, REDUCER
S-1	7946-01	SPLICE, 1-6 MM ²
S-2	23808-01	SPLICE, 6-9 MM ²
1-2	7956-02	SHRINK WRAP .375 DIA
1-5	7956-05	SHRINK WRAP .25 DIA
SH-1	58028-01	SPLICE-HAT
S-10	101173-01	SPLICE-BARREL, 26300 CMA

NO.	PART NUMBER	DESCRIPTION
SP-1	90986-02	PLUG ASM-ELECTRIC STEP
SP-2	142524-01-000 098261-01-000 098262-07-000 098261-02-000 (3) 098262-01-000 (3)	HOUSING-4 PIN SOCKET-CONNECTOR SEAL-CONNECTOR SOCKET-CONNECTOR SEAL-CONNECTOR
HR-1	63910-01	HOUSING-RELAY
MP-8	125323-02	HOUSING-PIN, 8 CAVITY
MP-10	125323-01	HOUSING-PIN, 10 CAVITY
MPP	125324-01	TERMINAL-MALE, M/P, 150
CAV-1	125325-01	SEAL-CAVITY, 150-SERIES M/P
CON-3	98262-03	SEAL-CONNECTOR
LS-8	125323-03	LOCK-SECONDARY 8 POSITION
LS-10	125323-04	LOCK-SECONDARY 10 POSITION
H-8	108355-01	HOUSING-SWITCH, 8 POSITION
H-12	108355-02	HOUSING-SWITCH, 12 POSITION

NO.	PART NUMBER	DESCRIPTION
GEN-1	125323-02-000 125324-01-000 (4) 098262-03-000 (4) 125325-01-000 (4) 125323-03-000	HOUSING-8 POSN, MALE, 150 SERIES TERMINAL-MALE, M/P, 150 SEAL-CONNECTOR SEAL-CAVITY, 150 SERIES M/P LOCK-SECONDARY 8 POSITION
GEN-2	125323-01-000 125324-01-000 (5) 098262-03-000 (5) 125325-01-000 (5) 125323-04-000	HOUSING-10 POSN, MALE, 150 SERIES TERMINAL-MALE, M/P, 150 SEAL-CONNECTOR SEAL-CAVITY, 150 SERIES M/P LOCK-SECONDARY 10 POSITION

NO.	PART NUMBER	DESCRIPTION
HS-2	88474-10	HOUSING-SOCKET, 2 CAVITY
HS-3	88474-09	HOUSING-SOCKET, 3 CAVITY
HS-4	88474-08	HOUSING-SOCKET, 4 CAVITY
HS-5	88474-07	HOUSING-SOCKET, 5 CAVITY
HS-6	88474-06	HOUSING-SOCKET, 6 CAVITY
HS-7	88474-05	HOUSING-SOCKET, 6 CAVITY-IN LINE
HS-9	88474-03	HOUSING-SOCKET, 9 CAVITY
HS-12	88474-01	HOUSING-SOCKET, 12 CAVITY
HS-15	88474-02	HOUSING-SOCKET, 15 CAVITY
HS-2-R	88474-12	HOUSING-SOCKET, 2 CAVITY-RED
HP-2	88473-10	HOUSING-PIN, 2 CAVITY
HP-3	88473-09	HOUSING-PIN, 3 CAVITY
HP-4	88473-08	HOUSING-PIN, 4 CAVITY
HP-5	88473-07	HOUSING-PIN, 5 CAVITY
HP-6	88473-06	HOUSING-PIN, 6 CAVITY
HP-7	88473-05	HOUSING-PIN, 6 CAVITY-IN LINE
HP-8	88473-04	HOUSING-PIN, 8 CAVITY-IN LINE
HP-9	88473-03	HOUSING-PIN, 9 CAVITY
HP-12	88473-01	HOUSING-PIN, 12 CAVITY
HP-15	88473-02	HOUSING-PIN, 15 CAVITY
HP-2-R	88473-15	HOUSING-PIN, 2 CAVITY-RED
HP-3-B	88473-12	HOUSING-PIN, 3 CAVITY-BLUE
HP-3-G	88473-13	HOUSING-PIN, 3 CAVITY-GREEN
HP-3-R	88473-14	HOUSING-PIN, 3 CAVITY-RED
TS-1	88476-01	SOCKET-CONNECTOR, 20-14 GA
TS-2	88476-02	SOCKET-CONNECTOR, 12-10 GA
TP-1	88475-01	PIN-CONNECTOR, 20-14 GA
TP-2	88475-02	PIN-CONNECTOR, 12-10 GA
HS2HA	137208-01	HOUSING-SOCKET, 2 CAVITY-HIGH AMP
HP2HA	137207-01	HOUSING-PIN, 2 CAVITY-HIGH AMP
TS-HA	137210-01	SOCKET-CONNECTOR, 10AWG HIGH AMP
TP-HA	137209-01	PIN-CONNECTOR, 10AWG HIGH AMP
H-HA	104100-01	HOUSING, 1 CAVITY 75 AMP
T-HA	104100-03	TERMINAL 10 AWG - 6 AWG 75 AMP

BALLOON CALLOUT LEGEND



WINNEBAGO INDUSTRIES, INC. COPYRIGHT 2006

DFT	ORIG. DATE
CHKR	ALL DIMENSIONS ARE IN MILLIMETERS
P.E.	FIRST USED
M.E.	96 MH'S
DSNR	
UNSPECIFIED TOLERANCES ARE:	MATERIAL:
WHOLE DIM (X)	:
ONE-PLACE (X.X)	:
TWO-PLACE (X.XX)	:
ANGLE	:
THIRD ANGLE PROJECTION	

DO NOT SCALE DRAWING

TITLE: PART LISTING-ELECTRICAL

SHEET 1 OF 7 PART NO 121339 REV

NOTES:
 1 FOR RECP-BLANK, DET-X DENOTES DETAIL VIEW.
 2 CONTACT WIRE PREP PRIOR TO USING FOR TOOLING PURPOSES.

WIRE-SINGLE INS CONDUCTOR, STRANDED

NO.	PART NUMBER	DESCRIPTION
18-W 18-Y	156658-01 156658-02	WIRE, 18 GA. WHITE, PVC WIRE, 18 GA. YELLOW, PVC
16-Y 16-W	89360-01 89360-02	WIRE, 16 GA. YELLOW, PVC WIRE, 16 GA. WHITE, PVC
14-Y 14-W	48554-02 48554-04	WIRE, 14 GA. YELLOW, PVC WIRE, 14 GA. WHITE, PVC
12-Y 12-W	48555-02 48555-04	WIRE, 12 GA. YELLOW, PVC WIRE, 12 GA. WHITE, PVC
10-Y 10-W	8000-03 8000-05	WIRE, 10 GA. YELLOW, PVC WIRE, 10 GA. WHITE, PVC
8-B 8-G	8005-01 8005-03	WIRE, 8 GA. BLACK, PVC WIRE, 8 GA. GREEN, PVC
6-B 6-G	70065-01 70065-03	WIRE, 6 GA. BLACK, PVC WIRE, 6 GA. GREEN, PVC
18-WX 18-YX	121015-01 121015-02	WIRE, 18 GA. WHITE, XLPE WIRE, 18 GA. YELLOW, XLPE
16-YX 16-WX	116675-01 116675-02	WIRE, 16 GA. YELLOW, XLPE WIRE, 16 GA. WHITE, XLPE
14-YX 14-WX	98586-01 98586-02	WIRE, 14 GA. YELLOW, XLPE WIRE, 14 GA. WHITE, XLPE
12-YX 12-WX	98609-01 98609-02	WIRE, 12 GA. YELLOW, XLPE WIRE, 12 GA. WHITE, XLPE
10-YX 10-WX	116676-03 116676-04	WIRE, 10 GA. YELLOW, XLPE WIRE, 10 GA. WHITE, XLPE
8-BX 8-GX	116674-01 116674-02	WIRE, 8 GA. BLACK, XLPE WIRE, 8 GA. GREEN, XLPE
6-BX 6-GX	116687-01 116687-02	WIRE, 6 GA. BLACK, XLPE WIRE, 6 GA. GREEN, XLPE

RECEPTACLES

NO.	PART NUMBER	DESCRIPTION
RCP-1	86738-02-CHT	RECEPTACLE-SINGLE, FLUSH MOUNT
RCP-2	86738-01-CHT	RECEPTACLE-DOUBLE, FLUSH MOUNT
RCP-3	58707-01-000	RECEPTACLE-SINGLE, SURFACE MOUNT
RCP-4	157360-01-000	RECEPTACLE-SINGLE, SURFACE MOUNT, 20A
RCP-5	160984-01-CHT	RECEPTACLE-SINGLE, FLUSH MOUNT, 20A
RCP-B	58707-02-000	RECEPTACLE-BLANK, JUNCTION
RCP-E	131826-01-CHT	INCLUDES COVER & GASKET

WIRE-NM SHEATHED CABLE

NO.	PART NUMBER	DESCRIPTION
14 UL	8027-01-000	WIRE 14-2 ROMEX W/GROUND (UL)
14 CA	8023-02-000	WIRE 14-2 ROMEX W/GROUND (CAN)
12 UL	8026-01-000	WIRE 12-2 ROMEX W/GROUND (UL)
12 CA	8023-01-000	WIRE 12-2 ROMEX W/GROUND (CAN)
12-3 UL	8026-03-000	WIRE 12-3 ROMEX W/GROUND (UL)
12-3 CA	8023-03-000	WIRE 12-3 ROMEX W/GROUND (CAN)
10 UL	8022-01-000	WIRE 10-2 ROMEX W/GROUND (UL)
10 CA	24743-01-000	WIRE 10-2 ROMEX W/GROUND (CAN)
6-3 UL	108914-01-000	WIRE 6-3 ROMEX W/GROUND (UL)
6-3 CA	113136-01-000	WIRE 6-3 ROMEX W/GROUND (CAN)
6-2 UL	108914-02-000	WIRE 6-2 ROMEX W/GROUND (UL)
4-3 UL	128375-01-000	WIRE 4-3 ROMEX W/GROUND (UL)
4-3 CA	128375-01-000	WIRE 4-3 ROMEX W/GROUND (CAN)

POWER CORDS

NO.	PART NUMBER	DESCRIPTION
PC-10 28	8054-01-000	POWER CORD 10 GA, 30 AMP, 28 FT. (UL/CA)
PC-10 35	8054-02-000	POWER CORD 10 GA, 30 AMP, 35 FT. (UL/CA)
PC-10 30-CA	8052-01-000	SUPERCEDED BY 8054-01-000
PC-6 36	108934-01-000	POWER CORD 6 GA, 50 AMP, 36 FT. (UL/CA)
PC-6 36-FX	108934-02-000	POWER CORD 6 GA, 50 AMP, 36 FT. (UL/CSA) SUPERFLEX
PC-6 36-CA	113096-01-000	SUPERCEDED BY 108934-02-000

CIRCUIT COLOR LEGEND

110V CIRCUIT	WIRE COLOR	COAXIAL CIRCUIT
A/C CIRCUIT 1	RED	CABLE INPUT W/O SPLITTER
A/C CIRCUIT 2	GRN	REAR TV W/O SPLITTER
GENERAL RECPS 1	BLU	ANTENNA
GENERAL RECPS 2	BRN	FRONT TV
GENERAL RECPS 3	PUR	VCR INPUT
GENERAL RECPS 4	GRY	
REFRIGERATOR/ CONVERTER	YEL	EXT ENT CTR
MICROWAVE	BLK	AUX INPUT
WATER HEATER	WHT	
WASHER/DRYER	GLD	
DISHWASHER	SIL	
	ORG	SATELLITE PLATE INPUT
	ORG/ORG	SATELLITE PLATE OUTPUT
	RED/RED	CABLE INPUT W/SPLITTER
	GRN/GRN	REAR TV W/SPLITTER
	PUR/PUR	VCR OUTPUT

CONDUIT

NO.	PART NUMBER	DESCRIPTION	TEMP.
C-4	41953-07-000	CONDUIT-CONVOLUTE, SLIT .25" ID	194° F
C-6	41953-06-000	CONDUIT-CONVOLUTE, SLIT .38" ID	194° F
C-8	41953-01-000	CONDUIT-CONVOLUTE, SLIT .50" ID	194° F
C-10	41953-02-000	CONDUIT-CONVOLUTE, SLIT .63" ID	194° F
C-16	41953-03-000	CONDUIT-CONVOLUTE, SLIT 1.0" ID	194° F
C-24	41953-08-000	CONDUIT-CONVOLUTE, SLIT 1.5" ID	194° F
C-32	41953-15-000	CONDUIT-CONVOLUTE, SLIT 2.0" ID	194° F
CX-8	41953-09-000	CONDUIT-CONVOLUTE, SLIT .50" ID	239° F
CX-12	41953-10-000	CONDUIT-CONVOLUTE, SLIT .75" ID	239° F
CX-16	41953-11-000	CONDUIT-CONVOLUTE, SLIT 1.0" ID	239° F
CX-20	41953-13-000	CONDUIT-CONVOLUTE, SLIT 1.25" ID	239° F
CX-24	41953-14-000	CONDUIT-CONVOLUTE, SLIT 1.50" ID	239° F
CX-32	41953-16-000	CONDUIT-CONVOLUTE, SLIT 2.0" ID	239° F
CN-10	41953-05-000	CONDUIT-CONVOLUTE, NOT SLIT .63" ID	194° F
CN-16	41953-12-000	CONDUIT-CONVOLUTE, NOT SLIT 1.0" ID	194° F


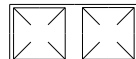
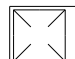
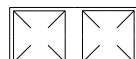
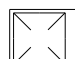

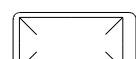
BATTERY CABLE LEGEND

COLOR	DESCRIPTION
PURPLE	CHASSIS BATTERY TO SOLENOID
BLUE	HYDRAULIC JACKS PUMP
RED	BATTERY TO STARTER
GREEN	BATTERY TO GENERATOR
YELLOW	COACH BATTERY TO SOLENOID



DWG NO 121339

FIRST USED	96 MH'S
TITLE	DO NOT SCALE DRAWING
	PART LISTING-ELECTRICAL
SHEET 2	PART NO 121339 REV


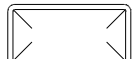

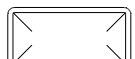

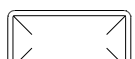
LAMP ASM-PACKAGE, PANCAKE

NO	PART NUMBER	DESCRIPTION
LF1-1	LAMP 98024-01-CHT SCREW G11-08-16U (4) CONNECTOR 58028-01-000 (2)	LAMP ASM, FROSTED LENS, 1 BULB W/SWITCH PROGRESSIVE DYNAMICS INC. 
LF2-1	LAMP 98024-03-CHT SCREW G11-08-16U (6) CONNECTOR 58028-01-000 (2)	LAMP ASM, FROSTED LENS, 2 BULB W/SWITCH PROGRESSIVE DYNAMICS INC. 
LO1-1	LAMP 98024-05-CHT SCREW G11-08-16U (4) CONNECTOR 58028-01-000 (2)	LAMP ASM, OPTI CLEAR LENS, 1 BULB W/SWITCH PROGRESSIVE DYNAMICS INC. 
LO2-1	LAMP 98024-06-CHT SCREW G11-08-16U (6) CONNECTOR 58028-01-000 (2)	LAMP ASM, OPTI CLEAR LENS, 2 BULB W/SWITCH PROGRESSIVE DYNAMICS INC. 
LF1N1	LAMP 98024-07-CHT SCREW G11-08-16U (4) CONNECTOR 58028-01-000 (2)	LAMP ASM, FROSTED LENS, 1 BULB W/O SWITCH PROGRESSIVE DYNAMICS INC. 
LF2N1	LAMP 98024-08-CHT SCREW G11-08-16U (6) CONNECTOR 58028-01-000 (2)	LAMP ASM, FROSTED LENS, 2 BULB W/O SWITCH PROGRESSIVE DYNAMICS INC. 
LFSN1	LAMP 98024-09-CHT SCREW G11-08-16U (6) CONNECTOR 58028-01-000 (2)	LAMP ASM, SINGLE FROSTED LENS, 2 BULB W/O SWITCH PROGRESSIVE DYNAMICS INC. 

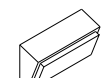


LAMP ASM-PACKAGE, HALOGEN

NO	PART NUMBER	DESCRIPTION
HAL	LAMP 123775-01-CHT SCREW (SUPPLIED) CONNECTOR 58028-01-000 (2)	LAMP ASM-HALOGEN, READING 1 BULB 
HAL-S	LAMP 123775-01-CHT SPACER 123775-02-CHT SCREW G13-06-16U (3) CONNECTOR 58028-01-000 (2)	LAMP ASM-HALOGEN, READING WITH 3/4" SPACER 1 BULB 

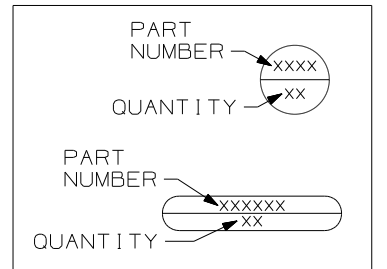
LAMP ASM-PACKAGE, PANCAKE

NO	PART NUMBER	DESCRIPTION
LF1-2	LAMP 137417-01-CHT SCREW G11-08-16U (4) CONNECTOR 58028-01-000 (2)	LAMP ASM, FROSTED LENS, 1 BULB W/SWITCH PROGRESSIVE DYNAMICS INC. 
LF2-2	LAMP 137417-04-CHT SCREW G11-08-16U (6) CONNECTOR 58028-01-000 (2)	LAMP ASM, FROSTED LENS, 2 BULB W/SWITCH PROGRESSIVE DYNAMICS INC. 
LO1-2	LAMP 137417-02-CHT SCREW G11-08-16U (4) CONNECTOR 58028-01-000 (2)	LAMP ASM, OPTI CLEAR LENS, 1 BULB W/SWITCH PROGRESSIVE DYNAMICS INC. 
LO2-2	LAMP 137417-05-CHT SCREW G11-08-16U (6) CONNECTOR 58028-01-000 (2)	LAMP ASM, OPTI CLEAR LENS, 2 BULB W/SWITCH PROGRESSIVE DYNAMICS INC. 
LF1N2	LAMP 137417-03-CHT SCREW G11-08-16U (4) CONNECTOR 58028-01-000 (2)	LAMP ASM, FROSTED LENS, 1 BULB W/O SWITCH PROGRESSIVE DYNAMICS INC. 
LFSN2	LAMP 137417-06-CHT SCREW G11-08-16U (6) CONNECTOR 58028-01-000 (2)	LAMP ASM, SINGLE FROSTED LENS, 2 BULB W/O SWITCH PROGRESSIVE DYNAMICS INC. 

LAMP ASM-PACKAGE, PORCH

NO	PART NUMBER	DESCRIPTION
LEXT-1	LAMP 97917-01-CHT SCREW G67-10-129 (4) CONNECTOR 58028-01-000 (2)	LAMP ASM-PORCH, SURFACE MOUNT BARGMAN 
LEXT-2UL	LAMP 8089-01-000 SCREW G68-06-10E (2) CONNECTOR 58028-01-000 (2)	LAMP ASM-PORCH, RECESSED UL LIST JRV PROD 
LEXT-2CA	LAMP 8089-02-000 SCREW G68-06-10E (2) CONNECTOR 58028-01-000 (2)	LAMP ASM-PORCH, RECESSED CAN LIST JRV PROD 

LEGEND

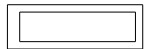
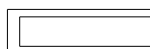

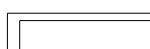
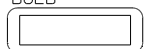

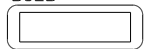
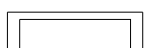

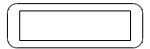


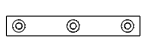

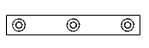
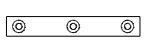
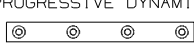

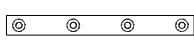
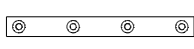
FIRST USED	96 MH'S
TITLE	DO NOT SCALE DRAWING
TITLE	PART LISTING-ELECTRICAL
SHEET 3	PART NO 121339 REV






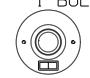

LAMP ASM-PACKAGE, FLUORESCENT

LAMP ASM-PACKAGE, MAKEUP LAMP

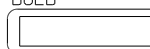

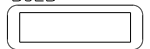
LAMP ASM-PACKAGE, OTHER

NO	PART NUMBER	DESCRIPTION
FLU-1	LAMP 91936-02-CHT SCREW G11-08-12U (4) CONNECTOR 58028-01-000 (2)	LAMP ASM-FLUORESCENT 12" 2 BULB W/SWITCH THIN-LITE 
FLU-2	LAMP 91936-01-CHT SCREW G11-08-12U (4) CONNECTOR 58028-01-000 (2)	LAMP ASM-FLUORESCENT 18" 2 BULB W/SWITCH THIN-LITE 
FLU-3	LAMP 127327-01-CHT SCREW G11-08-12U (2) CONNECTOR 58028-01-000 (2)	LAMP ASM-FLUORESCENT 18" 1-12" BULB W/SWITCH THIN-LITE 
FLU-4	LAMP 130338-01-CHT SCREW G11-08-12U (4) CONNECTOR 58028-01-000 (2)	LAMP ASM-FLUORESCENT 18" 2 BULB SURFACE MOUNT W/SWITCH THIN-LITE 
FLU-5	LAMP 153464-02-CHT SCREW G11-08-12U (4) CONNECTOR 58028-01-000 (2)	LAMP ASM-FLUORESCENT 12" 2 BULB W/SWITCH COOL WHITE BULB THIN-LITE  CUTOUT-122 X 336
FLU-6	LAMP 130338-02-CHT SCREW G11-08-12U (4) CONNECTOR 58028-01-000 (2)	LAMP ASM-FLUORESCENT 18" 2 BULB SURFACE MOUNT WARM WHITE BULB W/SWITCH THIN-LITE 
FLU-7	LAMP 153464-05-CHT SCREW G11-08-12U (4) CONNECTOR 58028-01-000 (2)	LAMP ASM-FLUORESCENT 12" 2 BULB W/SWITCH WARM WHITE BULB THIN-LITE  CUTOUT-122 X 336
FLUN1	LAMP 91936-04-CHT SCREW G11-08-12U (4) CONNECTOR 58028-01-000 (2)	LAMP ASM-FLUORESCENT 12" 2 BULB W/O SWITCH THIN-LITE 
FLUN2	LAMP 91936-03-CHT SCREW G11-08-12U (4) CONNECTOR 58028-01-000 (2)	LAMP ASM-FLUORESCENT 18" 2 BULB W/O SWITCH THIN-LITE 
FLUN3	LAMP 153464-01-CHT SCREW G11-08-12U (4) CONNECTOR 58028-01-000 (2)	LAMP ASM-FLUORESCENT 12" 2 BULB W/O SWITCH COOL WHITE BULB THIN-LITE  CUTOUT-122 X 336

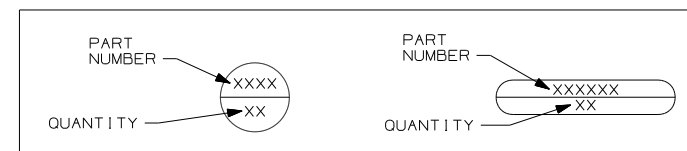
NO	PART NUMBER	DESCRIPTION
LMU3-1	LAMP 110235-01-CHT SCREW W/SPACER (SUPPLIED) CONNECTOR 58028-01-000 (2)	LAMP ASM-MAKEUP (W/O MIRROR) 3 BULB (SUPPLIED) PROGRESSIVE DYNAMICS 
LMM3-2	LAMP 123774-03-CHT SCREW (SUPPLIED) BULB 123918-01-000 (3) CONNECTOR 58028-01-000 (2)	LAMP ASM-MAKEUP (W/MIRROR) 3 BULB GUSTOFSON 
LMU3-2	LAMP 138116-01-CHT SCREW (SUPPLIED) BULB 123918-01-000 (3) CONNECTOR 58028-01-000 (2)	LAMP ASM-MAKEUP (W/O MIRROR) 3 BULB GUSTOFSON 
LMU3-3	LAMP 162446-01-CHT SCREW (SUPPLIED) BULB 123918-01-000 (3) CONNECTOR 58028-01-000 (2)	LAMP ASM-MAKEUP (W/O MIRROR) 3 BULB GUSTOFSON 
LMU4-1	LAMP 110235-02-CHT SCREW G11-08-16U (2) CONNECTOR 58028-01-000 (2)	LAMP ASM-MAKEUP (W/O MIRROR) 4 BULB PROGRESSIVE DYNAMICS 
LMU4-2	LAMP 138116-02-CHT SCREW (SUPPLIED) BULB 123918-01-000 (4) CONNECTOR 58028-01-000 (2)	LAMP ASM-MAKEUP (W/O MIRROR) 4 BULB GUSTOFSON 
LMU4-3	LAMP 162446-02-CHT SCREW (SUPPLIED) BULB 123918-01-000 (4) CONNECTOR 58028-01-000 (2)	LAMP ASM-MAKEUP (W/O MIRROR) 4 BULB GUSTOFSON 
LMM4-2	LAMP 123774-01-CHT SCREW G11-08-16U (2) BULB 123918-01-000 (4) CONNECTOR 58028-01-000 (2)	LAMP ASM-MAKEUP (W/MIRROR) 4 BULB GUSTOFSON 

NO	PART NUMBER	DESCRIPTION
LSH-1	LAMP 121935-01-CHT SCREW G11-08-16U (4) CONNECTOR 58028-01-000 (2)	LAMP ASM-SHOWER PROGRESSIVE DYNAMICS INC. 
LSH-2	LAMP 164039-01-CHT SCREW G11-08-16U (3) CONNECTOR 58028-01-000 (2)	LIGHT-DOME, SHOWER 
LSH-3	LAMP 164040-01-CHT SCREW G13-07-12U (3) CONNECTOR 58028-01-000 (2)	LIGHT-DOME, SHOWER GLASS 
LCR-1	LAMP 61424-01-000 SCREW G11-08-12U (4) CONNECTOR 58028-01-000 (2)	LAMP ASM-COURTESY, AISLE RAMCO (RECTANGULAR) 
LCS-1	LAMP 108354-01-CHT SCREW G11-08-12U (4) CONNECTOR 58028-01-000 (2)	LAMP ASM-COURTESY, AISLE ITC MARINE (SQUARE) 
READ-1	LIGHT-READING 132427-01-CHT SCREW SUPPLIED W/ LIGHT CLIP-U 141395-02-CHT (2) CONNECTOR 58028-01-000 (2)	LIGHT-READING, SWIVEL, ROUND 1 BULB 
READ-2	LIGHT-READING 128786-02-CHT SCREW G11-08-16J (2) BULB 123917-01-000 CONNECTOR 58028-01-000 (2)	LIGHT, READING, SWIVEL 

LAMP ASM-PACKAGE, FLUORESCENT

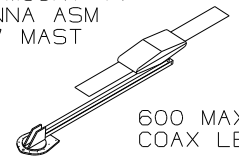
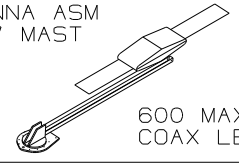
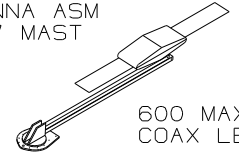
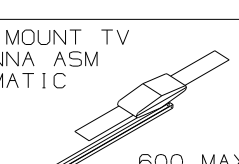
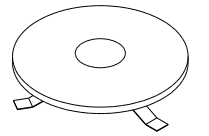
NO	PART NUMBER	DESCRIPTION
FLUN4	LAMP 153464-03-CHT SCREW G11-08-12U (6) CONNECTOR 58028-01-000 (2)	LAMP ASM-FLUORESCENT 18" 2 BULB W/O SWITCH COOL WHITE BULB THIN-LITE  CUTOUT-122 X 480
FLUN5	LAMP 153464-06-CHT SCREW G11-08-12U (6) CONNECTOR 58028-01-000 (2)	LAMP ASM-FLUORESCENT 18" 2 BULB W/O SWITCH WARM WHITE BULB THIN-LITE  CUTOUT-122 X 480
FLUN6	LAMP 153464-04-CHT SCREW G11-08-12U (6) CONNECTOR 58028-01-000 (2)	LAMP ASM-FLUORESCENT 12" 2 BULB W/O SWITCH WARM WHITE BULB THIN-LITE  CUTOUT-122 X 336

LEGEND

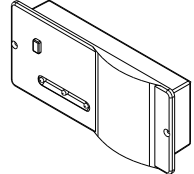


FIRST USED	96 MH'S
TITLE	DO NOT SCALE DRAWING
TITLE	PART LISTING-ELECTRICAL
SHEET 4	PART NO 121339 REV

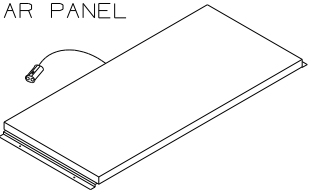
ANTENNA ASM-PACKAGE

NO	PART NUMBER	DESCRIPTION
ANT-1	ANTENNA 76319-24-000 HARDWARE-INTERIOR 76319-25-000 BUMPER 69726-02-000 (2) CLIP 80734-02-000	ROOF MOUNT TV ANTENNA ASM 25.5" MAST  600 MAX COAX LENGTH
ANT-2	ANTENNA 76319-23-000 HARDWARE-INTERIOR 76319-25-000 BUMPER 69726-02-000 (2) ADAPTER SUPPLIED W/ANTENNA	ROOF MOUNT TV ANTENNA ASM 44.5" MAST  600 MAX COAX LENGTH
ANT-2W	ANTENNA 76319-23-000 HARDWARE-INTERIOR 76319-25-000 BUMPER 69726-02-000 (2) ADAPTER SUPPLIED W/ANTENNA WEDGE 76319-26-000	ROOF MOUNT TV ANTENNA ASM 44.5" MAST  600 MAX COAX LENGTH
ANTA-1	ANTENNA 158270-01-CHT BUMPER 69726-02-000 (2) ADAPTER SUPPLIED W/ANTENNA	ROOF MOUNT TV ANTENNA ASM AUTOMATIC  600 MAX COAX LENGTH
ANT-3	ANTENNA-TV ROOF MNT,ROUND 132935-01-000 PLATE-ROOF, CABLE ENTRY 146488-01-000 SCREW G67-10-129 (10) CABLE ASM-COAX 87105-01-006 ADAPTER 82134-01-000	ROOF MOUNT OMNI- DIRECTIONAL ANTENNA MOUNTING SCREWS SUPPLIED WITH ANTENNA 


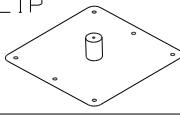

SENSORS

NO	PART NUMBER	DESCRIPTION
LPGD	LP GAS DETECTOR 150138-01-CHT SCREW G68-06-10U (2)	DETECTOR-LP GAS 

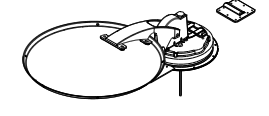
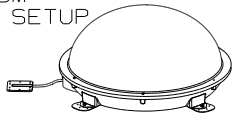
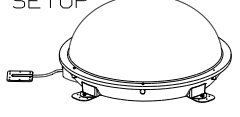
PANELS

NO	PART NUMBER	DESCRIPTION
SOLAR	PANEL-SOLAR 10 WATT 151647-01-000 SCREW G11-08-12U (4)	SOLAR PANEL 

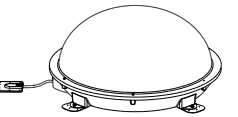
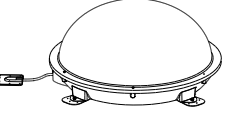
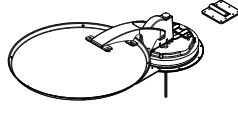
ANTENNA ASM-PACKAGE

ANTEXT-1	CABLE ASM-EXTENS 77069-02-000	RADIO ANTENNA CABLE EXTENSION 2400MM USABLE LENGTH 
ANTKIT-1	ADAPTER-PLATE 76319-06-000 SCREW G11-08-08T (6) CLIP-WIRE 80734-02-000 SCREW G11-08-08T	PLATE ASM-ADAPTERS CABLE ROOF MOUNTING PLATE W/ CABLE-CABLE ADAPTER, FITTINGS, AND CABLE RETAINING CLIP 
ANT-R	ANTENNA-RADIO 90944-01-000 EXTENDER-SHAFT ANTENNA 109889-04-000 BRACKET-ANTENNA GROUND 147741-01-CHT	ROOF MOUNT RADIO ANTENNA 
ANTEXT-2	CABLE ASM-EXTENS 77069-03-000	RADIO ANTENNA CABLE EXTENSION 6600 MM USABLE LENGTH

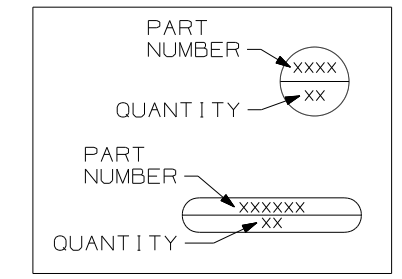
SATELLITE DISH INSTL

NO	PART NUMBER	DESCRIPTION
DM-1	SATELLITE DISH 137135-02-000 SCREW G67-10-12B (8) PLATE & BRACKET (SUPPLIED) SCREW G67-10-12B (10)	SATELLITE DISH ANTENNA ASM MANUAL SETUP 
DA-1	SATELLITE DISH 163598-01-CHT PLATE-ROOF,CABLE ENTRY QUAD 146488-03-000 SCREW G67-10-12U (8) (FOR PLATE) SCREW G39-10-12U (12) (FOR SATELLITE DISH)	SATELLITE DISH ANTENNA ASM AUTOMATIC SETUP 
D1-1	SATELLITE DISH 154474-04-CHT SCREW G39-10-12B (12) PLATE 146488-01-000 SCREW G67-10-12B (10)	SATELLITE DISH ANTENNA ASM IN MOTION SETUP 

SATELLITE DISH INSTL

NO	PART NUMBER	DESCRIPTION
DA-2	SATELLITE DISH 163598-01-CHT PLATE-ROOF,CABLE ENTRY QUAD 146488-03-000 CABLE ASM-COAX 9" 163598-04-000 ADAPTOR-CABLE TO CABLE 82134-01-000 SCREW G67-10-12U (8) (FOR PLATE) SCREW G39-10-12U (12) (FOR SATELLITE DISH)	SATELLITE DISH ANTENNA ASM AUTOMATIC SETUP 
D1-2	SATELLITE DISH 154474-04-CHT PLATE-ROOF,CABLE ENTRY QUAD 146488-03-000 CABLE ASM-COAX 9" 163598-04-000 ADAPTOR-CABLE TO CABLE 82134-01-000 SCREW G67-10-12U (8) (FOR PLATE) SCREW G39-10-12U (12) (FOR SATELLITE DISH)	SATELLITE DISH ANTENNA ASM AUTOMATIC SETUP 
DM-2	SATELLITE DISH 137135-05-000 PLATE-ROOF,ENTRY (SUPPLIED WITH SATELLITE DISH) SCREW G67-10-12U (8) (FOR ROOF PLATE) SCREW G67-10-12U (10) (FOR SATELLITE DISH)	SATELLITE DISH ANTENNA ASM MANUAL SETUP 

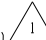
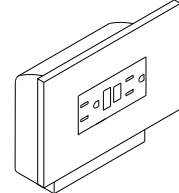

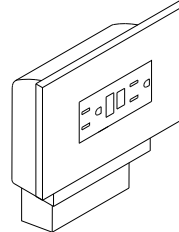
LEGEND

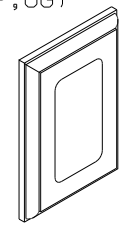
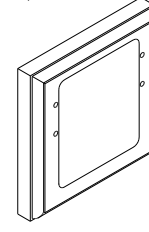
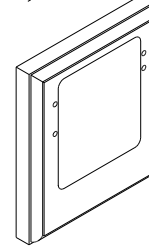
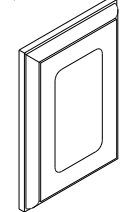
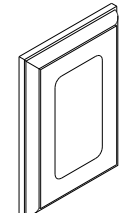


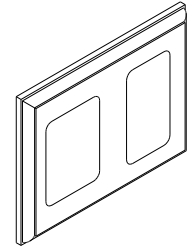
FIRST USED	96 MH'S
TITLE	DO NOT SCALE DRAWING
	PART LISTING-ELECTRICAL
SHEET 5	PART NO 121339 REV

RECEPTACLE PACKAGE - GF I


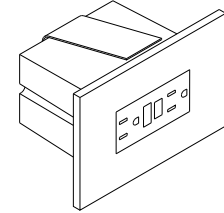
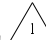
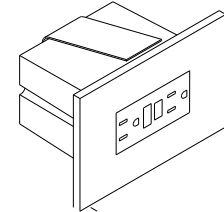
SPACERS

NO	PART NUMBER	DESCRIPTION
GF1 US	RECEPTACLE 163319-01-CHT BOX 91910-02-000 WIRE-BONDING 133678-03-000 SCREW G13-07-12B (4) CONNECTOR 8313-01-000 TUBING-VINYL 8041-02-000 (300MM) 	GF1 RECEPTACLE WITH COVER AND BOX FOR US APPLICATION 
GF1 CAN	RECEPTACLE 163319-01-CHT BOX 91910-01-000 WIRE-BONDING 133678-03-000 SCREW G13-07-12B (4) CONNECTOR 8313-01-000 TUBING-VINYL 8041-02-000 (300MM) 	GF1 RECEPTACLE WITH COVER AND BOX FOR CANADA APPLICATION 

NO	PART NUMBER	DESCRIPTION
SP-01	SPACER 102568-01-XXX	STANDARD 110V RECEPTACLE SPACER (WOOD,VYL RAP,OG) 
SP-02	SPACER 102568-02-XXX	WOOD SPACER FOR CEILING MOUNTED A/C PREP BOX (US) (WOOD,VYL RAP,OG) 
SP-03	SPACER 102568-03-XXX	WOOD SPACER FOR CEILING MOUNTED A/C PREP BOX (CANADA) (WOOD,VYL RAP,OG) 
SP-04	SPACER 133713-01-CHT	STANDARD 110V RECEPTACLE SPACER (WOOD,VYL RAP,BEV) 
SP-05	SPACER 133713-20-XXX	STANDARD 110V RECEPTACLE SPACER (WOOD,BEV) 

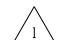
SP-21	SPACER 126052-01-XXX	WOOD SPACER FOR 1 - 110V RECEPTACLE AND 1 - REAR TV (12V) JACK (WOOD,BEV) 
-------	-------------------------	---

RECEPTACLE PACKAGE - GF I

NO	PART NUMBER	DESCRIPTION
GF1-L US	RECEPTACLE 163319-01-CHT BOX 133070-01-000 WIRE-BONDING 133678-03-000 SCREW G13-07-12B (4) CONNECTOR 8313-01-000 TUBING-VINYL 8041-02-000 (300MM) 	GF1 RECEPTACLE WITH COVER AND BOX FOR US APPLICATION 
GF1-L CAN	RECEPTACLE 163319-01-CHT BOX 133070-02-000 WIRE-BONDING 133678-03-000 SCREW G13-07-12B (4) CONNECTOR 8313-01-000 TUBING-VINYL 8041-02-000 (300MM) 	GF1 RECEPTACLE WITH COVER AND BOX FOR CANADA APPLICATION 

LEGEND

MISC.	SPACER
PART NUMBER → XXXX LISTING → XXX	XXXX → PART NUMBER

 APPLY TUBING TO BARE GROUND WIRES.
NOTES:

FIRST USED	96 MH'S
TITLE	DO NOT SCALE DRAWING
TITLE	PART LISTING-ELECTRICAL
SHEET 6	PART NO 121339 REV

PREP - A/C, RECESSED (W/OUT FACTORY A/C)

NO	PART NUMBER	DESCRIPTION
PREP A/C-US	BOX 91910-02-000 COVER 84099-02-CHT LABEL 91243-01-000 SCREW G13-07-12B (4) CONNECTOR 8313-01-000 (3)	BOX AND EQUIPMENT USED FOR A/C PREP (W/OUT FACTORY A/C). US APPLICATION (RECESSED IN ROOF)
PREP A/C-CAN	BOX 91910-01-000 COVER 84099-02-CHT LABEL 91243-01-000 SCREW G13-07-12B (4) CONNECTOR 8313-01-000 (3)	BOX AND EQUIPMENT USED FOR A/C PREP (W/OUT FACTORY A/C). CANADA APPLICATION (RECESSED IN ROOF)

CONNECTION BOX, GENERATOR SERVICE FEED

NO	PART NUMBER	DESCRIPTION
J-GEN 30	BOX 8289-01-000 COVER 8294-01-000 SCREW G67-10-10B (2)	BOX AND EQUIPMENT USED FOR CONNECTING THE GENERATOR LEADS TO THE SERVICE ENTRANCE WIRES (US & CA APPLICATION)
J-GEN 30-US	WIRE ASM-GROUND 133678-02-000 WIRE NUT-GREY 8314-01-000 (3) SCREW-GRND 103291-01-000	
J-GEN 30-CA	CONNECTOR-WIRE 8356-01-000	

PREP - A/C, SURFACE (W/OUT FACTORY A/C)

NO	PART NUMBER	DESCRIPTION
PREP SURF	BOX 93603-01-000 COVER 53337-01-000 LABEL 91243-01-000 SCREW-GRND 103291-01-000 WIRE-BONDING 8019-01-000 SCREW G11-08-12B (2) TERMINAL 8328-01-000 CONNECTOR 8313-01-000 (2) CONNECTOR 8311-01-000	SURFACE MOUNT, US AND CANADA, BOX AND EQUIPMENT FOR A/C PREP (W/OUT FACTORY A/C). TYPICALLY LOCATED ON OVERHEAD CABINET INNER WALL OR ON CEILING.

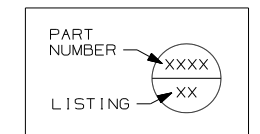
CONNECTION BOX-POWER CORD

NO	PART NUMBER	DESCRIPTION
J-PC 30	BOX 8289-01-000 COVER 8294-01-000 SCREW G67-10-10B (2)	CONNECTION BOX IN POWER CORD COMPT FOR POWER CORD (US & CA APPLICATION)
J-PC 30-US	WIRE ASM-GROUND 133678-02-000 CONNECTOR 8314-01-000 (3) SCREW-GRND 103291-01-000	
J-PC 30-CA	CONNECTOR 8356-02-000 CONNECTOR (PC) 8355-01-000	

CONNECTION BOX-GENERATOR RECEPTACLE

NO	PART NUMBER	DESCRIPTION
J-RCP 30	BOX 8289-01-000 RECEPTACLE 24924-02-000 COVER 69238-01-000 SCREW G67-10-10B (2)	CONNECTION BOX IN POWER CORD COMPT FOR THE GENERATOR RECEPTACLE (US & CA APPLICATION)
J-RCP 30-US	WIRE ASM-GROUND 133678-02-000 133678-04-000 SCREW-GRND 103291-01-000	
J-RCP 30-CA	CONNECTOR 8314-01-000 TUBING-VINYL 8041-02-000 (1) (150MM)	

LEGEND



FIRST USED	96 MH'S
TITLE	DO NOT SCALE DRAWING
	PART LISTING-ELECTRICAL
SHEET 7	PART NO 121339 REV

NOTES:  APPLY TUBING TO BARE GROUND WIRES.

WIRE IDENTIFICATION CHART

CODE/COLOR	FROM:	TO:	CODE/COLOR	FROM:	TO:
A 14 YEL	GALLEY CEILING LAMP SWITCH	GALLEY CEILING LAMP	X 14 YEL	- CHASSIS BRAKE LAMP CIRCUIT	- CENTER MOUNT BRAKE LAMP
B 12 YEL	OVERCURRENT PROTECTION (30A BREAKER TYPICAL)	POWER PASSENGER SEAT ("BUDDY SEAT")	Y 16 YEL	VOLUME CONTROL	RADIO/TV SPEAKER
C 12 WHT	POWER PASSENGER SEAT	GROUND	Z 6 BLK	OVERCURRENT PROTECTION (45 OR 55A BREAKER TYP)	COACH 12V PANEL
D 14 YEL	SHOWER OVHD LAMP SWITCH SEE WIRE PF, START OF 97	SHOWER OVHD LAMP	AA 16 WHT	SERVICE ENGINE SOON LAMP	VEHICLE SERVICE ENGINE SOON LAMP CIRCUIT
E 095038-01-	PHONE INPUT JACK	REAR PHONE JACK	AB 16 WHT	WATER TANK LEVEL SENSORS	GROUND
F 095038-01-	PHONE INPUT JACK	EXTERIOR PHONE JACK	AC 16 WHT	MAIN HOLDING TANK SENSORS (BLACK WATER)	GROUND
G 12/ 10 YEL	OVERCURRENT PROTECTION (30A BREAKER TYPICAL)	HIGH SPEED HEATER FAN (USE 10 IF OVER 6' RUN)	AD 16 WHT	AUXILIARY HOLDING TANK #1 (GRAY WATER)	GROUND
H 095038-01-	PHONE INPUT JACK	FRONT PHONE JACK	AE 16 WHT	AUXILIARY HOLDING TANK #2 (GRAY WATER)	GROUND
J 6 BLK	OVERCURRENT PROTECTION (45 OR 55A BREAKER TYP)	COACH 12V PANEL/ CONVERTER BATTERY CHARGE	AF 12 YEL	WATER PUMP SWITCH #1	MONITOR PANEL WATER PUMP SWITCH
K 6 BLK	OVERCURRENT PROTECTION (45 OR 55A BREAKER TYP)	COACH 12V PANEL	AG 12 YEL	WATER PUMP SWITCH #1	MONITOR PANEL WATER PUMP SWITCH
L 6 GRN	CONVERTER 45 OR 55 AMP	GROUND	AH 14 YEL	OVERCURRENT PROTECTION (10A FUSE TYPICAL)	BRAKE LAMP SWITCH WARNING LAMP (IGNITION RUN/START FED)
M 6 BLK	OVERCURRENT PROTECTION (45 OR 50A BREAKER)	CONVERTER BATTERY CHARGE	AJ 12 WHT	CHASSIS GROUND	BODY GROUND
N 10 WHT	REFRIGERATOR	GROUND	AK 12 WHT	CHASSIS GROUND	BODY GROUND
P 10YEL(BLK)	OVERCURRENT PROTECTION (20A FUSE TYPICAL)	REFRIGERATOR (3 WAY)	AL 12 YEL	HEATER CONTROL (LOW SPEED)	BLOWER MOTOR (LOW SPEED)
R 8 GRN	REFRIGERATOR CHASSIS	GROUND	AM 12YEL(WHT)	HEATER CONTROL (MEDIUM/LOW SPEED)	BLOWER MOTOR (MEDIUM/LOW SPEED)
S 8 OR 6 GRN	GROUND BAR (LEFT SIDE)	CHASSIS GROUND	AN 12 YEL	HEATER CONTROL (MEDIUM/HIGH SPEED)	BLOWER MOTOR (MEDIUM/HIGH SPEED)
T 8 OR 6 GRN	GROUND BAR (RIGHT SIDE)	CHASSIS GROUND	AP 14 YEL	IGNITION SWITCH ACCESSORY FEED	OVERCURRENT PROTECTION (15A FUSE TYPICAL)
U 6 GRN	CONVERTER CHASSIS	GROUND	AR 14 WHT	HORN, FOG LAMPS	GROUND
W 8 GRN	- GROUND STUD	- GROUND STUD	AS 18 WHT	DASH RADIO	RIGHT FRONT SPEAKER (NEGATIVE)

WIRE IDENTIFICATION CHART

CODE/COLOR	FROM:	TO:	CODE/COLOR	FROM:	TO:
AT 18 WHT	DASH RADIO	LEFT FRONT SPEAKER (NEGATIVE)	BR 14 YEL	POWER MIRROR (RIGHT SIDE)	POWER MIRROR CONTROL SWITCH
AU 16 YEL	OVERCURRENT PROTECTION (15A BREAKER TYPICAL)	FRONT CARGO LAMP SWITCH (IGNITION ACCESSORY FED)	BS 14 YEL	POWER MIRROR HEAT SWITCH	POWER MIRRORS
AW 16 YEL	FRONT CARGO LAMP SWITCH	REAR CARGO LAMP SWITCH	BT 14 YEL	POWER MIRROR (LEFT SIDE)	POWER MIRROR CONTROL SWITCH
AX 16 YEL	FRONT CARGO LAMP SWITCH	REAR CARGO LAMP SWITCH	BU 14 YEL	RUN ONLY POWER	POWER MIRROR HEAT/ CONTROL SWITCHES
AY 16 YEL	REAR CARGO LAMP SWITCH	CARGO LAMPS	BW 12 YEL	IGNITION SWITCH	ACCESSORY CIRCUIT FEED
BA 14 WHT	WINDSHIELD WIPER MOTOR	GROUND	BX 12YEL(ORN)	IGNITION SWITCH RUN ONLY SOURCE	GENERAL(TURN, BACK UP,DASH IGNITION CIRCUIT,ETC)
BB 16 YEL	OVERCURRENT PROTECTION (6A BREAKER TYPICAL)	INSTRUMENT PANEL GAUGES (IGNITION ACCESSORY FED)	BY 12YEL/8BLK	OVERCURRENT PROTECTION (16GA FUSELINK)(8GA PASSTHRU)	CHASSIS BATTERY SOURCE(AUTO AC BLOWER,POWER DRIVER SEAT,ETC)
BC 14 WHT	INDICATOR LAMPS	GROUND	CA 12 YEL	OVERCURRENT PROTECTION (16GA FUSELINK TYPICAL)	CHASSIS BATTERY SOURCE
BD 14 YEL	OVERCURRENT PROTECTION (10A FUSE TYPICAL)	BRAKE LAMP SWITCH	CB 12 YEL	IGNITION SWITCH START SOURCE	START CIRCUIT SOURCE
BE 12 WHT	BLOWER MOTOR	GROUND	CC 16 YEL	ALTERNATOR	ALTERNATOR WARNING LAMP
BF 14 WHT	WASHER BOTTLE PUMP/HORN	GROUND	CD 16 YEL	OIL PRESSURE WARNING SENDER	OIL PRESSURE WARNING LAMP
BG 14 YEL	FUEL SENDER	FUEL GAUGE	CE 16 YEL	WATER TEMPERATURE WARNING SENDER	WATER TEMPERATURE WARNING LAMP
BH 14 YEL	RUN ONLY POWER RELAY	ENGINE WIRING	CF 14 YEL	REAR TV JACK	POWER FEED SWITCH
BJ 16 YEL	OVERCURRENT PROTECTION (10A FUSE TYPICAL)	ENGINE WIRING (IGNITION RUN/START FED)	CG 14 YEL	CLUTCH/NEUTRAL SWITCH	START ISOLATION RELAY
BK 14 YEL	OVERCURRENT PROTECTION (10A FUSE TYPICAL)	HORN RELAY FEED	CH 14 YEL	START RELAY	ENGINE WIRING
BL 16 WHT	CIGAR LIGHTER	GROUND	CJ 14 YEL	WINDSHIELD WIPER/WASHER CONTROL SWITCH	WINDSHIELD WASHER PUMP
BM 16 YEL	CHASSIS BATTERY POWER	CIGAR LIGHTER	CK 16 YEL	TELEVISION	SPEAKER (POSITIVE)
BN 16 YEL	ACCESSORY POWER	SPOTLAMP	CL 16 WHT	TELEVISION	SPEAKER (NEGATIVE)
BP 14 WHT	POWER MIRROR	GROUND	CM 10 YEL	OVERCURRENT PROTECTION (15A BREAKER TYPICAL)	INVERTER FEED

WIRE IDENTIFICATION CHART

CODE/COLOR	FROM:	TO:	CODE/COLOR	FROM:	TO:
CN 10 WHT	INVERTER	GROUND	DL 16 YEL	TV/RADIO SPEAKER SWITCHING RELAY OUTPUT	RIGHT REAR SPEAKER POSITIVE
CP 12 WHT	INVERTER CHASSIS	GROUND	DM 16 WHT	TV/RADIO SPEAKER SWITCHING RELAY OUTPUT	RIGHT REAR SPEAKER NEGATIVE
CR 16 WHT	VEHICLE CHECK ENGINE LAMP CIRCUIT	CHECK ENGINE LAMP	DN 10 YEL	BATTERY DISCONNECT RELAY	CIRCUIT BREAKER SLIDEOUT ROOM CIRCUIT BRKR
CS 16 WHT	REMOTE THERMOSTAT (RC TERM/ORG EXPORT AIR)	GROUND	DP 14 YEL	TV/RADIO SPEAKER FEED SELECT SWITCH	TV/RADIO SPEAKER SWITCHING RELAY COIL INPUT OR AMPLIFIER
CT 16 YEL	DAYTIME RUNNING LAMP MODULE OUTPUT(PIN 30)	LOW BEAM HEADLAMP CIRCUIT	DR 16 YEL	HWH WIRING OR KWIKEE FRONT SLIDE MODULE	SLIDEOUT SWITCH (ROOM ONE EXTEND)
CU 16 YEL	DAYTIME RUNNING LAMP MODULE ENABLE(PIN 85)	RUN/START CIRCUIT	DS 16 WHT	CONTROL MODULE (FRONT SLIDE)(GROUND)	SLIDEOUT SWITCH (FRONT SLIDEOUT)
CW 14 YEL	DAYTIME RUNNING LAMP MODULE POWER(PIN 87A)	CHASSIS BATTERY POWER	DT 16 YEL	SLIDEOUT ROOM RELAY (PIN 30)	SLIDEOUT ROOM CONTROL SWITCH
CX 16 WHT	DAYTIME RUNNING LAMP MODULE GROUND(PIN 87)	GROUND	DU 16 YEL	HWH WIRING OR KWIKEE FRONT SLIDE MODULE	SLIDEOUT SWITCH (ROOM ONE RETRACT)
CY 16 YEL	DAYTIME RUNNING LAMP MODULE HIGH BEAM DISABLE(PIN 86)	HIGH BEAM HEADLAMP CIRCUIT	DW 16 WHT	SLIDEOUT ROOM SWITCH (G) (SWITCHED GROUND TO PUMP)	HWH WIRING (SWITCHED GROUND TO PUMP)
DA 12 YEL	SHOWER SUMP SYSTEM PUMP SWITCH	SHOWER SUMP SYSTEM PUMP	DX 16 WHT	HWH WIRING (G) (GROUND)	SLIDEOUT ROOM SWITCH (GROUND)
DB 12 WHT	SHOWER SUMP SYSTEM PUMP	GROUND	DY 16 WHT	HWH WIRING (G) (JACK SENSE; SWITCHED GROUND)	SLIDEOUT ROOM RELAY (JACK SENSE; SWITCHED GROUND)
DC 16 YEL	REAR ROOF AIR CONDITIONER EXHAUST CIRCUIT	THERMOSTAT	EA 16 YEL	HWH WIRING (G) (ACCESSORY POWER)	SLIDEOUT ROOM RELAY (ACCESSORY POWER)
DD 16 YEL	REAR ROOF AIR CONDITIONER COOL CIRCUIT	THERMOSTAT (Y TERM-EXPORT AIR/YEL)	EB 16 YEL	SLIDEOUT ROOM RELAY (G) (SWITCHED ACCESSORY POWER)	FRT/RR SLIDEOUT ROOM SWITCH (SWITCHED EXTEND/RETRACT PWR)
DE 16 YEL	REAR ROOF AIR CONDITIONER HIGH SPEED FAN CIRCUIT	THERMOSTAT (H TERM-EXPORT AIR/BLU)	EC 10 YEL	CHASSIS BATTERY POWER SOURCE (BATTERY MODE SOLENOID POST)	THRU FUSE TO AMP SOURCE SELECT RELAY(PIN 87)(OPTION 21V,95 Q)
DF 16 YEL	REAR ROOF AIR CONDITIONER LOW SPEED FAN CIRCUIT	THERMOSTAT (G TERM-EXPORT AIR/RED)	ED 10 YEL	COACH BATTERY POWER SOURCE (BATTERY MODE SOLENOID POST)	THRU FUSE TO AMP SOURCE SELECT RELAY(PIN 87A)(OPTION 21V,95Q)
DG 12YEL(GRY)	IGNITION SWITCH	ACCESSORY/RUN FEED	EE 16 YEL	AIR RIDE SUSPENSION LEFT DOWN SWITCH POSITION	AIR RIDE SUSPENSION LEFT HEIGHT CONTROL BOX
DH 14 YEL	EMERGENCY SHUTDOWN GAUGE	FUEL SOLENOID (DIESEL ENGINE)	EF 16 YEL	AIR RIDE SUSPENSION LEFT UP SWITCH POSITION	AIR RIDE SUSPENSION LEFT HEIGHT CONTROL BOX
DJ 16 YEL	TV/RADIO SPEAKER SWITCHING RELAY OUTPUT	LEFT REAR SPEAKER POSITIVE	EG 16 WHT	AIR RIDE SUSPENSION WIRE ASM GROUND	AIR RIDE SUSPENSION CONTROL LAMP GROUNDS
DK 16 WHT	TV/RADIO SPEAKER SWITCHING RELAY OUTPUT	LEFT REAR SPEAKER NEGATIVE	EH 16 YEL	AIR RIDE SUSPENSION RIGHT DOWN SWITCH POSITION	AIR RIDE SUSPENSION RIGHT HEIGHT CONTROL BOX

WIRE IDENTIFICATION CHART

CODE/COLOR	FROM:	TO:	CODE/COLOR	FROM:	TO:
EJ 16 YEL	AIR RIDE SUSPENSION RIGHT UP SWITCH POSITION	AIR RIDE SUSPENSION RIGHT HEIGHT CONTROL BOX	FJ 12 YEL	WATER PUMP SWITCH #2 (THREE SWITCH SYSTEM)	WATER PUMP SWITCH #1 (THREE SWITCH SYSTEM)
EK 16 YEL	AIR RIDE SUSPENSION AUTO MODE SWITCH POSITION	AIR RIDE SUSPENSION HEIGHT CONTROL BOXES	FK 12 YEL	WATER PUMP SWITCH #2 (THREE SWITCH SYSTEM)	WATER PUMP SWITCH #1 (THREE SWITCH SYSTEM)
EL 16 YEL	RUN ONLY POWER	AIR RIDE SUSPENSION AUTO/MANUAL MODE SWITCH	FL 14 YEL	SECOND PORCH LAMP SWITCH	SECOND PORCH LAMP
EM 16 YEL	AIR RIDE SUSPENSION COMPRESSOR	COMPRESSOR ON WARNING LAMP	FM 14 WHT	SOLENOID MOUNTING BOLT	GROUND
EN 16 YEL	AIR RIDE SUSPENSION MANUAL MODE SWITCH POSITION	LEVEL CONTROL SWITCHES AND INDICATOR LAMP	FN 16 YEL	SOURCE SELECTOR SWITCH (DELUXE SOUND SYSTEM,95 LUXOR)	AMP & EQUALIZER REMOTE TRIGGER (DELUXE SOUND SYSTEM,95 LUXOR)
EP 14 YEL	OVERCURRENT PROTECTION (15A BREAKER TYPICAL)	SPOTLAMP	FP 16 YEL	EXHAUST BRAKE SWITCH (DIESEL PUSHER CHASSIS)	CHASSIS EXHAUST BRAKE HARNESS & BRAKE ON DASH INDICATOR LAMP
ER 16 YEL	OVERCURRENT PROTECTION (6A BREAKER TYPICAL)	ELECTRIC STEP KILL SWITCH	FR 14 YEL	FORD RUN/ACCESSORY IGNITON CIRCUIT(WHT/PUR,10A FUSED)	DOCKING LAMPS, RELAY TRIGGER, REAR MONITOR CAMERA FEED
ES 16 YEL	ELECTRIC STEP KILL SWITCH	ELECTRIC STEP	FS 14 YEL	DOCKING LAMPS RELAY(PIN 87)	DOCKING LAMPS
ET 16 YEL	OVERCURRENT PROTECTION (6A BREAKER TYPICAL)	REFRIGERATOR (2 WAY)	FT 14 WHT	DOCKING LAMPS	GROUND
EU 16 WHT	REFRIGERATOR (2 WAY)	GROUND	FU 14 YEL	AUTOMOTIVE AIR WIRING	FORD A/C COMPRESSOR CLUTCH SWITCH CIRCUIT
EW 14 YEL	FUEL HEATER SWITCH	FUEL HEATER (DIESEL ENGINE)	FW 14 YEL	DOCKING LAMPS SWITCH	DOCKING LAMPS RELAY(PIN 30)
EX 14 YEL	TELEVISION POWER SWITCH	TELEVISION WALL PLATE	FX 12 YEL	OVERCURRENT PROTECTION (30A BRKR OR FUSE)	POWER DRIVER SEAT (I.E.,6 WAY)
EY 12YELLTBLU	OVERCURRENT PROTECTION (16GA FUSELINK TYPICAL)	IGNITION SWITCH FEED #2	FY 12 WHT	POWER DRIVER SEAT (I.E.,6 WAY)	GROUND
FA 14 YEL	DRIVER'S DOOR PASSENGER SIDE POWER WINDOW SWITCH(DOWN,PIN2)	PASSENGER'S POWER WINDOW SWITCH(PIN 2)	GA 14 YEL	WATER SYSTEM WINTERIZATION SWITCH	WINTERIZATION VALVE
FB 14 YEL	DRIVER'S DOOR PASSENGER SIDE POWER WINDOW SWITCH(UP,PIN 4)	PASSENGER'S POWER WINDOW SWITCH(PIN 4)	GB 14 YEL	WATER HEATER BYPASS SWITCH	WATER HEATER BYPASS VALVE
FC 14 YEL	PASSENGER'S DOOR POWER WINDOW SWITCH(DOWN,PIN 1)	PASSENGER'S DOOR POWER WINDOW MOTOR(DOWN)	GC 16 YEL	SLIDEOUT ROOM SPDT SWITCH (M) (SWITCHED WIRE)	HWH WIRING (SWITCHED WIRE)
FD 14 YEL	PASSENGER'S DOOR POWER WINDOW SWITCH(UP,PIN 5)	PASSENGER'S DOOR POWER WINDOW MOTOR(UP)	GD 16 YEL	WIPER CONTROL MODULE	WIPER MOTOR (S TERMINAL)
FG 10 YEL	AMPLIFIER POWER SOURCE SELECT RELAY (PIN 30)	AMPLIFIER POWER FEED (DELUXE SOUND SYSTEM,95 LUXOR)	GE 16 YEL	SWITCHED DOME LAMP FEED	DOME LAMP
FH 10 WHT	AMPLIFIER (DELUXE SOUND SYSTEM,95 LUXOR)	GROUND	GF 16 WHT	COMMON REAR CHANNEL SPEAKER RETURN	REAR SPEAKERS

WIRE IDENTIFICATION CHART

CODE/COLOR	FROM:	TO:	CODE/COLOR	FROM:	TO:
GG 16 YEL	RADIO REMOTE TRIGGER (DELUXE SOUND OPTION)	SOURCE SELECTOR SWITCH (LUXOR)	HE 14 WHT	SOFA SLIDE MOTOR NEGATIVE (94 VANS)	SOFA MONOPLEX CONTROLLER
GH 14 WHT	GLOW PLUG WAIT LAMP (DIESEL ENGINE)	ENGINE SENDER	HF 14 YEL	SOFA RECLINE MOTOR POSITIVE (94 VANS)	SOFA MONOPLEX CONTROLLER
GJ 16 YEL	COACH BATTERY POWER (UPSTREAM OF DISCONNECT)	LP DETECTOR AND/OR SOLAR PANEL WIRING OVERCURRENT PROTECTION	HG 14 WHT	SOFA RECLINE MOTOR NEGATIVE (94 VANS)	SOFA MONOPLEX CONTROLLER
GK 14 YEL	AIR HORN SWITCH	CHASSIS HORN	HH 16 YEL	SOFA MONOPLEX SWITCH (94 VANS)	SOFA MONOPLEX CONTROLLER
GL 16 WHT	WATER/HOLDING TANKS LEVEL SENSORS	GROUND	HJ 16 WHT	SOFA MONOPLEX SWITCH (94 VANS)	GROUND
GM 16 YEL	JET AIR RIDE SUSPENSION PRESSURE SENSORS	CHECK REAR AIR SUSPENSION DASH WARNING LAMP	HK 14 WHT	SOFA MONOPLEX CONTROLLER (94 VANS)	GROUND
GN 16 YEL	REAR TV SPEAKER OUTPUT (POSITIVE)	REAR TV SPEAKER (POSITIVE)	HL 14 YEL	FLOOD LAMP SWITCH (94 VANS)	FLOOD LAMP
GP 16 WHT	REAR TV SPEAKER OUTPUT (NEGATIVE)	REAR TV SPEAKER (NEGATIVE)	HM 16 YEL	REAR TV SPEAKER OUTPUT (POSITIVE)	REAR TV SPEAKER (POSITIVE)
GR 14 YEL	THERMOSTATICALLY CONTROLLED ROOF VENT (SEND)	THERMOSTAT (RETURN)	HN 16 WHT	REAR TV SPEAKER OUTPUT (NEGATIVE)	REAR TV SPEAKER (NEGATIVE)
GS 14 YEL	THERMOSTATICALLY CONTROLLED ROOF VENT (RETURN)	THERMOSTAT (RETURN)	HP 16 YEL	OVERCURRENT PROTECTION (94 VANS)	REAR AC
GT 16 YEL	RADIO POWER SWITCH (MEMORY FEED)	RADIO (MEMORY FEED)	HR 14 YEL	SWITCH (94 1200 MODEL VAN)	12VOLT RECEPTACLE
GU 16 YEL	DEFOG MODULE OUTPUT	DEFOG RELAY, INDICATOR LAMP	HS 16 YEL	SOLAR PANEL (1HS INDICATOR TO BATTERY)	COACH BATTERY THRU OVERCURRENT PROTECTION
GW 16 WHT	DEFOG SWITCH ON/OFF	DEFOG MODULE ON/OFF	HT 16 WHT	SOLAR PANEL (1HT INDICATOR TO GROUND)	GROUND
GX 16/12 WHT	STEP COVER SWITCH (REF AAA-16/KA-12)	GROUND	HU 16 YEL	GENERATOR SWITCH (LED)	GENERATOR (POSITIVE SIGNAL)
GY 12 YEL	DEFOG RELAY	DEFOG UNIT	HW 16 YEL	LICENSE PLATE LAMP FEED	LICENSE PLATE LAMP
HA 14 YEL	READING LAMPS SWITCH (93 VANS)	READING LAMPS	HX 16 YEL	CHASSIS CLEARANCE LAMP CRT #2	CLEARANCE/MARKER LAMPS
HB 14 YEL	"MOOD" LAMPS SWITCH (93 VANS)	"MOOD" LAMPS	HY 12 WHT	DEFOG UNIT	GROUND
HC 14 YEL	12V POWER SOURCE (93 VANS)	OVERCURRENT PROTECTION (15A FUSE TYPICAL)	JA 14 YEL	OVERCURRENT PROTECTION (15A FUSE/BREAKER TYPICAL)	WATER PUMP, MONITOR PANEL, ETC ("CLEAN CIRCUIT" ,REF JP)
HD 14 YEL	SOFA SLIDE MOTOR POSITIVE (94 VANS)	SOFA MONOPLEX CONTROLLER	JB 14 YEL	OVERCURRENT PROTECTION (15A FUSE/BREAKER TYPICAL)	FURNACE, ROOF VENT, ETC (REF JM)

WIRE IDENTIFICATION CHART

CODE/COLOR	FROM:	TO:	CODE/COLOR	FROM:	TO:
JC 14 YEL	OVERCURRENT PROTECTION (15A FUSE/BREAKER TYPICAL)	COACH LIGHTING, ETC CIRCUIT #1 (REF NC)	KA 12 YEL	OVERCURRENT PROTECTION (25A BREAKER TYPICAL)	ELECTRIC STEP BATTERY POWER
JD 14 YEL	OVERCURRENT PROTECTION (15A FUSE/BREAKER TYPICAL)	COACH LIGHTING, ETC CIRCUIT #2 (REF ND)	KB 10 YEL	OVERCURRENT PROTECTION (25A BREAKER TYPICAL)	ELECTRIC STEP KILL SWITCH (OLD STEP WIRING STYLE)
JE 14 YEL	OVERCURRENT PROTECTION (15A FUSE/BREAKER TYPICAL)	COACH LIGHTING, ETC CIRCUIT #3 (REF NE)	KC 10 YEL	ELECTRIC STEP KILL SWITCH (OLD STEP WIRING STYLE)	ELECTRIC STEP
JF 14 YEL	OVERCURRENT PROTECTION (15A FUSE/BREAKER TYPICAL)	COACH LIGHTING, ETC CIRCUIT #4 (REF NF)	KD 18 WHT	ELECTRIC STEP DOOR JAMB SWITCH	ELECTRIC STEP
JG 14 YEL	OVERCURRENT PROTECTION (15A FUSE/BREAKER TYPICAL)	COACH LIGHTING, ETC(ALT CLEAN) CIRCUIT #5 (REF JN)	KE 14 YEL	RUN ONLY POWER SOURCE	GENERAL PURPOSE(RELAY TRIGGER, REAR AUTO HTR,DRL,MONITOR,ETC)
JH 14 YEL	MAIN FURNACE (12V POWER)	MAIN FURNACE THERMOSTAT	KF 16 WHT	COACH BATTERY DISCONNECT RELAY SWITCH	GROUND
JJ 14 YEL	MAIN FURNACE (HEAT)	MAIN FURNACE THERMOSTAT	KG 14 YEL	POWER LIFT VENT (BLU)	POWER LIFT SWITCH(UP)
JK 14 YEL	AUXILIARY FURNACE	AUXILIARY FURNACE THERMOSTAT	KH 14 YEL	POWER LIFT VENT (RED)	POWER LIFT SWITCH(DOWN)
JL 14 YEL	AUXILIARY FURNACE	AUXILIARY FURNACE THERMOSTAT	KJ 14 YEL	POWER LIFT VENT (BLK)	FAN SWITCH
JM 14 WHT	MAIN FURNACE	GROUND	KK 18 YEL	REAR STEREO	RIGHT SPEAKER (POSITIVE)
JN 14 WHT	COACH LIGHTING CIRCUIT #5 (REF JG)	GROUND(ALTERNATE CLEAN CIRCUIT FOR LINEAR CONVERTER)	KL 18 WHT	REAR STEREO	RIGHT SPEAKER (NEGATIVE)
JP 14 WHT	"CLEAN CIRCUIT" DEVICES (REF JA)	GROUND	KM 14 YEL	POWER LIFT VENT LAMP	LAMP SWITCH
JR 16 YEL	MONITOR PANEL	LP TANK #2 LEVEL SENSOR	KN 18 YEL	REAR STEREO	LEFT SPEAKER (POSITIVE)
JS 12 YEL	MONITOR PANEL WATER PUMP SWITCH	WATER PUMP	KP 18 WHT	REAR STEREO	LEFT SPEAKER (NEGATIVE)
JT 16 YEL	MONITOR PANEL	LP TANK #1 LEVEL SENSOR	KR 14 WHT	REAR STEREO ANTENNA	GROUND
JU 14 YEL	MONITOR PANEL WATER HEATER SWITCH	WATER HEATER (BLU)	KS 14 YEL	REAR AUTO HEATER SWITCH (HIGH SPEED)	REAR AUTO HEATER
JW 14 YEL	MONITOR PANEL WATER HEATER SWITCH	WATER HEATER (BRN)	KT 14 YEL	REAR AUTO HEATER SWITCH (MEDIUM SPEED)	REAR AUTO HEATER
JX 14 WHT	WATER HEATER	GROUND	KU 14 YEL	REAR AUTO HEATER SWITCH (LOW SPEED)	REAR AUTO HEATER
JY 12 WHT	WATER PUMP	GROUND	KW 18 YEL	DASH RADIO	RIGHT FRONT SPEAKER (POSITIVE)

WIRE IDENTIFICATION CHART

CODE/COLOR	FROM:	TO:	CODE/COLOR	FROM:	TO:
KX 18 YEL	DASH RADIO	RIGHT REAR SPEAKER (POSITIVE)	LU 14 YEL	CHASSIS BRAKE LAMP CIRCUIT	VEHICLE BRAKES, TAG AXLE CONTROL MODULE, ETC.
KY 18 YEL	DASH RADIO	LEFT FRONT SPEAKER (POSITIVE)	LW 14 YEL	WIPER CONTROL MODULE (PARK)	WINDSHIELD WIPER MOTOR (FRONT)
LA 18 YEL	DASH RADIO	LEFT REAR SPEAKER (POSITIVE)	LX 14 YEL	WIPER CONTROL MODULE (LOW SPEED)	WINDSHIELD WIPER MOTOR (FRONT)
LB 18 WHT	DASH RADIO	RIGHT REAR SPEAKER (NEGATIVE)	LY 14 YEL	WIPER CONTROL MODULE (HIGH SPEED)	WINDSHIELD WIPER MOTOR (FRONT)
LC 18 WHT	DASH RADIO	LEFT REAR SPEAKER (NEGATIVE)	MA 14 YEL	WIPER CONTROL MODULE (WASHER BOTTLE PUMP)	WINDSHIELD WASHER BOTTLE PUMP (FRONT)
LD 14 YEL	IGNITION SWITCH ACCESSORY POWER SOURCE	GENERAL PURPOSE(AUX FANS, RELAY TRIGGER, ETC.)	MB 14 YEL	CHASSIS WINDSHIELD WIPER FEED CIRCUIT	OVERCURRENT PROTECTION (6A BREAKER TYPICAL)
LE 14 YEL	AUXILIARY DEFROST FANS SWITCH (HIGH SPEED)	AUXILIARY DEFROST FANS (BLK)	MC 16 WHT	INSTRUMENT PANEL LAMPS	GROUND
LF 14 YEL	AUXILIARY DEFROST FANS SWITCH (LOW SPEED)	AUXILIARY DEFROST FANS (RED)	MD 14 YEL	OVERCURRENT PROTECTION (15A BREAKER TYPICAL)	REMOTE MIRROR RELAY/POWER WINDOW FEED
LG 16 YEL	COACH BATTERY DISCONNECT RELAY (TERMINAL I)	COACH BATTERY DISCONNECT RELAY SWITCH	ME 14 YEL	OVERCURRENT PROTECTION (15A BREAKER TYPICAL)	AIR HORN RELAY FEED/ MARKER LAMPS RELAY FEED
LH 16 YEL	COACH BATTERY DISCONNECT RELAY (TERMINAL S)	COACH BATTERY DISCONNECT RELAY SWITCH	MF 14 YEL	OVERCURRENT PROTECTION (15A BREAKER TYPICAL)	FOG LAMP RELAY FEED/ SPOT LAMP FEED
LJ 16 YEL	COACH BATTERY DISCONNECT RELAY BATTERY SIDE FUSE FEED	COACH BATTERY DISCONNECT RELAY SWITCH	MG 14 WHT	GENERAL PURPOSE(RELAYS, DASH DEVICES, ETC.)	GROUND
LK 16 YEL	COACH BATTERY DISCONNECT RELAY LOAD SIDE FUSE FEED	COACH BATTERY DISCONNECT RELAY SWITCH/INDICATOR LAMP	MH 16 WHT	CHASSIS CHOKE LAMP INDICATOR CIRCUIT	CHOKE LAMP
LL 16 WHT	GENERATOR SWITCH (START)	GENERATOR (RED)	MJ 14 YEL	CHASSIS WINDSHIELD WIPER FEED CIRCUIT	WIPER CONTROL MODULE (POWER FEED)
LM 16 WHT	GENERATOR SWITCH (STOP)	GENERATOR (ORN)	MK 14 YEL	CHASSIS BATTERY POWER FEED CIRCUIT	GENERAL PURPOSE(CIGAR LIGHTER, DOME/COURTESY LAMPS, ETC)
LN 16 WHT	GENERATOR SWITCH/INDICATOR (GROUND)	GENERATOR (GRN)	ML 16 YEL	CHASSIS INSTRUMENT PANEL LAMPS FEED CIRCUIT	INSTRUMENT PANEL LAMPS
LP 16 YEL	GENERATOR SWITCH/INDICATOR (RUN)	GENERATOR (BLU)	MM 14 YEL	CHASSIS CLEARANCE LAMP CRT #1 (BRN TYPICAL)	CLEARANCE/MARKER LAMPS
LR 14 YEL	BATTERY MODE SWITCH (AUX START SWITCH)	BATTERY MODE SOLENOID (AUX START SOLENOID)	MN 14 WHT	DOME LAMP SWITCHED GROUND	DOME LAMP SWITCH(DOOR JAMB, INSTRUMENT PANEL SWITCH, ETC)
LS 12 YEL	OVERCURRENT PROTECTION 20A BREAKER TYPICAL, COACH FEED	GENERAL PURPOSE(BATTERY MODE, RADIO POWER, BATTERY CONDITION)	MP 18/16 WHT	ELEC STEP DOOR JAMB SWITCH, LP TANK SENDER, ETC	GROUND
LT 16 YEL	BATTERY CONDITION SWITCH	VOLTMETER (POWER FEED)	MR 14 YEL	REAR WINDOW WIPER SWITCH (LOW SPEED)	REAR WINDOW WIPER MOTOR (LOW SPEED)

WIRE IDENTIFICATION CHART

CODE/COLOR	FROM:	TO:	CODE/COLOR	FROM:	TO:
MS 14 WHT	CLEARANCE/MARKER LAMPS	GROUND	NR 16 YEL	LEFT POWER MIRROR (VERTICAL CONTROL, WHT)	POWER MIRROR CONTROL SWITCH
MT 8 WHT	ELECTRIC STEP	GROUND	NS 14 YEL	POWER MIRROR HEATER SWITCH	POWER MIRRORS (RED)
MU 14 WHT	GENERAL PURPOSE(CIGAR LIGHTER, DOME LAMPS,12 V OUTLETS,ETC)	GROUND	NT 14 YEL	POWER MIRROR RELAY	POWER MIRROR CONTROL SWITCH
MW 16 YEL	VEHICLE CHECK ENGINE LAMP CIRCUIT	CHECK ENGINE LAMP	NU 14 YEL	AISLE LAMPS SWITCH #1	AISLE LAMPS SWITCH #2
MX 16 YEL	WINDSHIELD WIPER SWITCH	WIPER RELAY	NW 14 YEL	FRONT COMPARTMENT LAMPS SWITCH	COMPARTMENT LAMPS
MY 14 YEL	VEHICLE HEADLAMP FEED CIRCUIT	DIMMER MODULE	NX 14 YEL	INTERSTATE COMMERCE COMMITTEE COURTESY BLINK SWITCH	CLEARANCE LAMPS
NA 14 YEL	VEHICLE HEADLAMP LOW BEAM CIRCUIT	DIMMER MODULE	NY 14 YEL	AISLE LAMPS SWITCH #1	AISLE LAMPS SWITCH #2
NB 14 YEL	VEHICLE HEADLAMP HIGH BEAM CIRCUIT	DIMMER MODULE	PA 14 WHT	REAR AUTO HEATER	GROUND
NC 14 WHT	COACH LIGHTING CIRCUIT #1 (REF JC)	GROUND	PB 14 WHT	REAR WINDOW WIPER MOTOR	GROUND
ND 14 WHT	COACH LIGHTING CIRCUIT #2 (REF JD)	GROUND	PC 14 YEL	BEDROOM CEILING LAMP SWITCH	BEDROOM CEILING LAMP
NE 14 WHT	COACH LIGHTING CIRCUIT #3 (REF JE)	GROUND	PD 14 YEL	MAKE UP LAMP #1 SWITCH	MAKE UP LAMP #1
NF 14 WHT	COACH LIGHTING CIRCUIT #4 (REF JF)	GROUND	PE 14 YEL	BATH CEILING LAMP SWITCH	BATH CEILING LAMP
NG 16 YEL	FOG LAMPS SWITCH	FOG LAMPS RELAY	PF 14 YEL	SHOWER LAMP SWITCH WIRE D WAS FIRST USED ON C'S	SHOWER LAMP
NH 14 YEL	FOG LAMPS RELAY	FOG LAMPS	PG 14 YEL	WARDROBE LAMP SWITCH	WARDROBE LAMP
NJ 16 YEL	CHASSIS HORN FEED CIRCUIT	AIR HORN SWITCH	PH 14 YEL	AISLE LAMPS SWITCH	AISLE LAMPS
NK 14 YEL	AIR HORN SWITCH	AIR HORN AIR TANK AIR RELEASE VALVE	PJ 14 YEL	PORCH LAMP SWITCH	PORCH LAMP
NL 14 YEL	AR HORN RELAY	AIR HORN AIR COMPRESSOR	PK 14 YEL	STRIP LAMP SWITCH	STRIP LAMP
NM 14 YEL	OVERCURRENT PROTECTION (15A FUSE TYPICAL)	COACH LIGHTING CIRCUIT #6 (REF PM)	PL 14 YEL	FRONT CEILING LAMP SWITCH	FRONT CEILING LAMP
NN 16 YEL	LEFT POWER MIRROR MOTOR (HORIZONTAL CONTROL,YEL)	POWER MIRROR CONTROL SWITCH	PM 14 WHT	COACH LIGHTING CIRCUIT #6 (REF NM)	GROUND

WIRE IDENTIFICATION CHART

CODE/COLOR	FROM:	TO:	CODE/COLOR	FROM:	TO:
PN 16 WHT	RIGHT POWER MIRROR (COMMON, BLK)	POWER MIRROR CONTROL SWITCH	RL 12 WHT	RADIATOR FAN #2	GROUND
PP 16 YEL	RIGHT POWER MIRROR (HORIZONTAL CONTROL, YEL)	POWER MIRROR CONTROL SWITCH	RM 14 WHT	VEHICLE IGNITION SWITCH GROUND DURING START CIRCUIT	BULB CHECK (LOW TAG AIR, PARK BRAKE, ETC)
PR 16 YEL	RIGHT POWER MIRROR (VERTICAL CONTROL, WHT)	POWER MIRROR CONTROL SWITCH	RN 14 YEL	AUTOMOTIVE AIR CONDITIONER THERMOSTAT CUTOFF SWITCH	AUTOMOTIVE AIR CONDITIONER COMPRESSOR CLUTCH
PS 14 YEL	MAP LAMP SWITCH	MAP LAMP	RP 14 YEL	AUTOMOTIVE AIR CONDITIONER COOLANT FAN CONTROL	COOLANT FAN RELAY
PT 14 YEL	BEVERAGE TRAY LAMP SWITCH	BEVERAGE TRAY LAMP	RR 14 YEL	BRAKE LAMP SWITCH	TURN SIGNAL SWITCH
PU 14 YEL	DUMP LAMP SWITCH	DUMP LAMP	RS 14 YEL	HEADLAMP SWITCH INSTRUMENT PANEL LAMP FEED SWITCH	OVERCURRENT PROTECTION (5A FUSE TYPICAL)
PW 14 YEL	OVERCURRENT PROTECTION (15A BREAKER TYPICAL)	POWER DOOR LOCK/UNLOCK RELAY (PIN 30)	RT 14 YEL	HORN RELAY (COMMON)	HORN
PX 16 YEL	POWER DOOR LOCK SWITCH (LOCK) (PIN 1)	POWER DOOR LOCK RELAY (PIN 86)	RU 14 YEL	HORN RELAY (COIL)	HORN SWITCH
PY 16 YEL	POWER DOOR LOCK SWITCH (UNLOCK) (PIN 5)	POWER DOOR UNLOCK RELAY (PIN 86)	RW 14 YEL	HAZARD FLASHER	TURN SIGNAL SWITCH
RA 14 YEL	VEHICLE LEFT FRONT TURN SIGNAL CIRCUIT	LEFT FRONT TURN SIGNAL/MARKER LAMP	RX 14 YEL	EUL WARNING LAMP	EUL MODULE
RB 14 YEL	VEHICLE RIGHT FRONT TURN SIGNAL CIRCUIT	RIGHT FRONT TURN SIGNAL/MARKER LAMP	RY 14 WHT	INSTRUMENT CLUSTER/ EUL MODULE	GROUND
RC 14 WHT	FRONT AUTOMOTIVE LAMPS (TURN, MARKER, ETC)	GROUND	SA 14 YEL	ENGINE WATER TEMPERATURE SENDER	ENGINE WATER TEMPERATURE GAUGE
RD 14 YEL	OVERCURRENT PROTECTION (15 A FUSE TYPICAL)	HAZARD FLASHER, HORN RELAY	SB 14 YEL	ENGINE OIL PRESSURE SENDER	ENGINE OIL PRESSURE GAUGE
RE 12 YEL	RADIATOR FAN RELAY #1 (COMMON)	RADIATOR FAN #1	SC 14 YEL	VEHICLE RIGHT REAR TURN SIGNAL/BRAKE LAMP CIRCUIT	RIGHT REAR TURN SIGNAL/ BRAKE LAMPS
RF 12 YEL	RADIATOR FAN RELAY #2 (COMMON)	RADIATOR FAN #2	SD 14 YEL	VEHICLE LEFT REAR TURN SIGNAL/BRAKE LAMP CIRCUIT	LEFT REAR TURN SIGNAL/ BRAKE LAMPS
RG 14 WHT	RADIATOR FAN THERMOSTAT SWITCH	RADIATOR FAN RELAYS (COILS, TRIGGER)	SE 16YEL(WHT)	SPEED SENSOR (TWISTED PAIR)	SPEEDOMETER AND SPEED CONTROL MODULE
RH 12YEL(BLK)	OVERCURRENT PROTECTION (25A BREAKER TYPICAL)	RADIATOR FAN RELAY #1 (NORMALLY OPEN)	SF 16WHT(BLK)	SPEED SENSOR (TWISTED PAIR)	SPEEDOMETER AND SPEED CONTROL MODULE
RJ 12YEL(BLK)	OVERCURRENT PROTECTION (25A BREAKER TYPICAL)	RADIATOR FAN RELAY #2 (NORMALLY OPEN)	SG 14 YEL	IGNITION SWITCH START FEED	GENERAL (NEUTRAL SAFETY SWITCH, FUEL PUMP RELAY COIL, ETC)
RK 12 WHT	RADIATOR FAN #1	GROUND	SH 14 YEL	IGNITION SWITCH RUN/START FEED	GENERAL (IGNITION COIL RELAY NORMALLY OPEN CONTACT, ETC)

WIRE IDENTIFICATION CHART

CODE/COLOR	FROM:	TO:	CODE/COLOR	FROM:	TO:
SJ 12YEL(BLK)	OVERCURRENT PROTECTION (16GA FUSELINK TYPICAL)	CHASSIS BATTERY FEED	TG 16 YEL	TELEVISION	SPEAKER RIGHT (POSITIVE)
SK 12YEL(WHT)	OVERCURRENT PROTECTION (16GA FUSELINK TYPICAL)	CHASSIS BATTERY HEADLAMP SWITCH FEED #1	TH 16 WHT	TELEVISION	SPEAKER RIGHT (NEGATIVE)
SL 12YEL(BLU)	OVERCURRENT PROTECTION (16GA FUSELINK TYPICAL)	CHASSIS BATTERY IGNITION SWITCH FEED #1	TJ 16 YEL	TELEVISION	SPEAKER LEFT (POSITIVE)
SM 12YEL(BLK)	OVERCURRENT PROTECTION (16GA FUSELINK TYPICAL)	RADIATOR FAN #1 CIRCUIT BREAKER FEED	TK 16 WHT	TELEVISION	SPEAKER LEFT (NEGATIVE)
SN 12YEL(BLK)	OVERCURRENT PROTECTION (16GA FUSELINK TYPICAL)	RADIATOR FAN #2 CIRCUIT BREAKER FEED	TL 16 YEL	FRONT RIGHT TV SPEAKER NEGATIVE,SERIES CONNECTION	FRONT LEFT TV SPEAKER POSITIVE,SERIES CONNECTION
SP 14 YEL	HEADLAMP SWITCH MARKER CIRCUIT FEED	OVERCURRENT PROTECTION (15A FUSE TYPICAL)	TM 16 WHT	STEP COVER SWITCH	STEP COVER SOLENOID MOVES STEP OUT
SR 12YEL(BRN)	IGNITION SWITCH RUN ONLY FEED	OVERCURRENT PROTECTION (15A FUSE TYPICAL)	TN 14 YEL	STARTER SOLENOID BATTERY TERMINAL	ALTERNATOR REGULATOR
SS 12YEL(WHT)	IGNITION SWITCH ACCESSORY FEED	OVERCURRENT PROTECTION (15A FUSE TYPICAL)	TP 14 WHT	REAR AUTOMOTIVE LAMPS(TURN, MARKER,ETC)	GROUND
ST 14 YEL	OVERCURRENT PROTECTION (15A FUSE TYPICAL)	TURNS/BACK UP CIRCUIT FEED	TR 14 YEL	VEHICLE BACK UP CIRCUIT FEED	BACK UP LAMPS
SU	STARTER SOLENOID BATTERY TERMINAL	ALTERNATOR BATTERY TERMINAL	TS 14 YEL	STARTER SOLENOID (I TERMINAL)	ENGINE WIRING (IGNITION MODULE)
SW 14 YEL	TURN SIGNAL FLASHER	TURN SIGNAL SWITCH	TT 14 YEL	NEUTRAL SAFETY SWITCH	STARTER SOLENOID (S TERMINAL)
SX 14 YEL	REAR WINDOW WASHER SWITCH	REAR WINDOW WASHER BOTTLE PUMP	TU 14 WHT	IGNITION COIL RELAY (COIL)	GROUND
SY 14 YEL	IGNITION COIL	TACHOMETER	TW 14 YEL	IGNITION SWITCH START/RUN FEED	IGNITION COIL
TA 14 YEL	OVERCURRENT PROTECTION (15A FUSE TYPICAL)	IGNITION RUN ONLY GENERAL FEED (RADIATOR FAN RELAY COIL,ETC)	TX 14 YEL	IGNITION COIL RELAY (COMMON)	IGNITION COIL
TB 12 YEL	OVERCURRENT PROTECTION (25A FUSE TYPICAL)	IGNITION RUN ONLY GENERAL FEED (AUTO AC BLOWER(NOT HIGH),ETC)	TY 14 YEL	ALTERNATOR (T TERMINAL)	CHOKE HEATER
TC 14 YEL	OVERCURRENT PROTECTION (15A FUSE TYPICAL)	IGNITION RUN ONLY GENERAL FEED (DOOR LOCKS,REAR WIPER,ETC.)	UA 14 YEL	FUEL PUMP FUSE	OIL PRESSURE CUTOOUT SWITCH/ FUEL PUMP RELAY(NO),ETC
TD 14 YEL	OVERCURRENT PROTECTION (15A FUSE TYPICAL)	CHASSIS BATTERY GENERAL FEED	UB 14 YEL	INERTIA SWITCH (FUEL PUMP SHUTOFF)	FUEL PUMP RELAY (NORMALLY CLOSED)
TE 16 WHT	GENERATOR	GENERATOR LOW OIL INDICATOR LAMP	UC 14 YEL	FUEL PUMP RELAY (COMMON)	FUEL PUMP
TF 16 YEL	GENERATOR	GENERATOR LOW OIL INDICATOR LAMP	UD 16 WHT	FUEL GAUGE	FUEL SENDER

WIRE IDENTIFICATION CHART

CODE/COLOR	FROM:	TO:	CODE/COLOR	FROM:	TO:
UE 14 YEL	INERTIA SWITCH (FUEL PUMP SHUTOFF)	OIL PRESSURE CUTOFF SWITCH	WC 14 YEL	DDVRCURRENT PROTECTION (15A BREAKER TYPICAL)	COMPARTMENT LAMPS (REF WE)
UF 14 WHT	FUEL PUMP	GROUND	WD 14 WHT	AISLE LAMPS	GROUND
UG 14 WHT	FUEL PUMP RELAY (COIL)	GROUND	WE 14 WHT	COMPARTMENT LAMPS (REF WC)	GROUND
UH 16 YEL	LP DETECTOR (SHUTOFF SYSTEM, YEL)	LP SAFETY VALVE	WF 12YEL(WHT)	OVERCURRENT PROTECTION (30A BREAKER TYPICAL)	PARK BRAKE COMPRESSOR SOENOID
UJ 16 YEL	LP DETECTOR (SHUTOFF SYSTEM, YEL)	LP SAFETY SWITCH	WG 12YEL(BLK)	OVERCURRENT PROTECTION (30A BREAKER TYPICAL)	IGNITION RELAY
UK 16 WHT	LP DETECTOR (BLK)(REF WB)	GROUND	WH 14 YEL	OVERCURRENT PROTECTION (15A BREAKER TYPICAL)	IGNITION SWITCH RUN ONLY FEED
UL 16 WHT	EUL LAMP	EUL MODULE	WJ 12 YEL	OVERCURRENT PROTECTION (20A BREAKER TYPICAL)	IGNITION SWITCH ACCESSORY FEED RELAY
UM 16 WHT	DOOR JAMB DOME LAMP SWITCH	GROUND	WK 14 YEL	OVERCURRENT PROTECTION (15A BREAKER TYPICAL)	IGNITION SWITCH ACCESSORY FEED
UN 16 WHT	SEAT BELT LAMP	EUL MODULE	WL 14 YEL	POWER DOOR LOCK RELAY (PIN 30)	POWER DOOR LOCK MOTOR(S) (LOCK)
UP 16 YEL	SEAT BELT LAMP	SEAT BELT BUZZER	WM 14 WHT	POWER DOOR UNLOCK RELAY (PIN 30)	POWER DOOR LOCK MOTOR(S) (UNLOCK)
UR 16 WHT	PARK BRAKE SWITCH	PARK BRAKE LAMP	WN 16 YEL	RADIO POWER SWITCH (ACCESSORY POWER)	DASH RADIO (ACCESSORY POWER)
US 16 YEL	OVERCURRENT PROTECTION (6A BREAKER TYPICAL)	COACH BATTERY FEED TO BATTERY CONDITION SWITCH	WP 10 YEL	OVERCURRENT PROTECTION (25A BREAKER TYPICAL)	FRONT PANEL LOADS(INVERTER, RADIO)(96 M-SERIES)
UT 14 YEL	DOOR JAMB DOME LAMP SWITCH (SWITCH POSITIVE)	DOME LAMP	WR 14 YEL	OVERCURRENT PROTENTION (15A BREAKER TYPICAL)	POWER SEAT LIFT SWITCH
UU 16 YEL	WATER HEATER	VACUUM VALVE SOLENOID	WS 14 WHT	POWER SEAT LIFT SWITCH	GROUND
UW 16 WHT	VACUUM VALVE SOLENOID	GROUND	WT 14 YEL	POWER SEAT LIFT SWITCH (UP)	MOTOR (POSITIVE UP)
UX 16 YEL	LP DETECTOR #2 (SHUTOFF SYSTEM, YEL)	LP SAFETY VALVE	WU 14 WHT	POWER SEAT LIFT SWITCH (DOWN)	MOTOR (POSITIVE DOWN)
UY 16 YEL	LP DETECTOR #2 (SHUTOFF SYSTEM, YEL)	LP SAFETY VALVE	WW 14 WHT	SPOT LAMP SWITCH	GROUND
WA 14 YEL	EXTERIOR SERVICE LAMP SWITCH	EXTERIOR SERVICE LAMP	WX 14 YEL	HALLWAY CEILING LAMP SWITCH	HALLWAY CEILING LAMP
WB 16 YEL	OVERCURRENT PROTECTION (6A BREAKER TYPICAL)	LP DETECTOR (REF UK)	WY 10 WHT	AUTOMOTIVE AIR CONDITIONER MOTOR	GROUND

WIRE IDENTIFICATION CHART

CODE/COLOR	FROM:	TO:	CODE/COLOR	FROM:	TO:
XA 12/10 YEL	VEHICLE AUTOMOTIVE AIR FEED CIRCUIT	AUTOMOTIVE AIR CONDITIONER BLOWER (USE 10 IF OVER 6')	XX 14 YEL	GALLEY LAMP SWITCH	GALLEY LAMP
XB 14 YEL	DRIVER'S DOOR POWER WINDOW SWITCH(PIN 5)	DRIVER'S DOOR POWER WINDOW MOTOR(POSITIVE UP)	XY 14 YEL	MAKE UP LAMP #2 SWITCH	MAKE UP LAMP #2
XC 14 WHT	DRIVER'S DOOR POWER WINDOW SWITCH(PIN 1)	DRIVER'S DOOR POWER WINDOW MOTOR(POSITIVE DOWN)	YA 14 YEL	TAG AXLE PRESSURE CONTROL SWITCH	COMPRESSOR SOLENOID/ SOLENOID AIR VALVE
XD 16 WHT	MONITOR PANEL	HOLDING TANK LEVEL SENSOR (FULL)	YB 14 WHT	LOW AIR PRESSURE SWITCH	GROUND
XE 16 WHT	MONITOR PANEL	HOLDING TANK LEVEL SENSOR (3/4)	YC 10YEL(BLU)	OVERCURRENT PROTECTION (30A BREAKER TYPICAL)	TAG AXLE COMPRESSOR SOLENOID
XF 16 WHT	MONITOR PANEL	HOLDING TANK LEVEL SENSOR (1/2)	YD 14 WHT	TAG AXLE MOUNTING PLATE SCREW	GROUND
XG 16 WHT	MONITOR PANEL	HOLDING TANK LEVEL SENSOR (1/4)	YE 10 WHT	TAG AXLE COMPRESSOR	GROUND
XH 16 YEL	MONITOR PANEL	WATER TANK LEVEL SENSOR	YF 12 WHT	TAG AXLE BRAKE CONTROL MODULE/BRAKE MAGNET	GROUND
XJ 16 YEL	MONITOR PANEL	BLACK HOLDING LEVEL SENSOR (MAIN TANK)	YG 12YEL(BLK)	OVERCURRENT PROTECTION (20A BREAKER TYPICAL)	TAG AXLE BRAKE CONTROL MODULE
XK 16 YEL	MONITOR PANEL	GRAY AUXILIARY HOLDING TANK #1 LEVEL SENSOR (AUX TANK #1)	YH 12YEL(BLU)	TAG AXLE BRAKE CONTROL MODULE	TAG AXLE BRAKE MAGNET
XL 16 YEL	MONITOR PANEL	GRAY AUXILIARY HOLDING TANK #2 LEVEL SENSOR (AUX TANK #2)	YJ 10YEL(WHT)	TAG AXLE COMPRESSOR SOLENOID	TAG AXLE COMPRESSOR
XM 14 YEL	OVERCURRENT PROTECTION (18GA FUSELINK TYPICAL)	IGNITION START RELAY	YK 14 YEL	BEDROOM CEILING LAMP SWITCH#1 (2 SWITCH SYSTEM)	BEDROOM CEILING LAMP SWITCH #2 (2 SWITCH SYSTEM)
XN 16 YEL	FRONT ROOF AIR CONDITIONER (EXHAUST)	THERMOSTAT (EX TERMINAL)	YL 14 YEL	BEDROOM CEILING LAMP SWITCH #1 (2 SWITCH SYSTEM)	BEDROOM CEILING LAMP SWITCH #2 (2 SWITCH SYSTEM)
XP 16 YEL	FRONT ROOF AIR CONDITIONER (COOL)	THERMOSTAT (Y TERMINAL)(Y EXPORT AIR)	YM 14 YEL	HALLWAY CEILING LAMP SWITCH #1 (2 SWITCH SYSTEM)	HALLWAY CEILING LAMP SWITCH #2 (2 SWITCH SYSTEM)
XR 16 YEL	FRONT ROOF AIR CONDITIONER (HIGH SPEED BLOWER)	THERMOSTAT (GH TERMINAL)(H EXPORT AIR)	YN 14 YEL	HALLWAY CEILING LAMP SWITCH #1 (2 SWITCH SYSTEM)	HALLWAY CEILING LAMP SWITCH #2 (2 SWITCH SYSTEM)
XS 16 YEL	FRONT ROOF AIR CONDITIONER (LOW SPEED BLOWER)	THERMOSTAT (GL TERMINAL)(G EXPORT AIR)	YP 14 YEL	VALANCE LAMP SWITCH #1 (3 WAY SWITCH)	VALANCE LAMP SWITCH #2 (3 WAY SWITCH)
XT 14 YEL	IGNITION START RELAY #1 (NORMALLY CLOSED CONTACT)	IGNITION START RELAY #2 (COMMON CONTACT)	YR 14 YEL	VALANCE LAMP SWITCH #1 (3 WAY SWITCH)	VALANCE LAMP SWITCH #2 (3 WAY SWITCH)
XU 14 YEL	DINETTE OVHD LAMP SWITCH	DINETTE OVHD LAMP	YS 14 YEL	VALANCE LAMP SWITCH	VALANCE LAMP
XW 14 WHT	IGNITION SWITCH ACCESSORY FEED RELAY CIRCUIT	GROUND	YT 14 YEL	FRONT VALANCE LAMP SWITCH	FRONT VALANCE LAMP

WIRE IDENTIFICATION CHART

CODE/COLOR	FROM:	TO:	CODE/COLOR	FROM:	TO:
YU 14 YEL	REAR VALANCE LAMP SWITCH	REAR VALANCE LAMP	AAS 16 YEL	SPEAKER (NEGATIVE) SPEAKERS IN SERIES	SPEAKER (POSITIVE)
YW 14 WHT	DOOR BELL SWITCH	DOOR BELL	AAT 16 YEL	AMPLIFIER POSITIVE OUT (AAU NEGATIVE)	FRONT WOOFER (WITH DELUXE SOUND SYSTEM)
YX 14 YEL	IGNITION SWITCH RUN/START FEED	ALTERNATOR WARNING LAMP	AAU 16 WHT	AMPLIFIER NEGATIVE OUT (AAT POSITIVE)	FRONT WOOFER (WITH DELUXE SOUND SYSTEM)
YY 14 YEL	ALTERNATOR VOLTAGE REGULATOR	ALTERNATOR WARNING LAMP	AAW 16 YEL	AMPLIFIER POSITIVE OUT (AAX NEGATIVE)	REAR WOOFER (WITH DELUXE SOUND SYSTEM)
AAA 16 WHT	STEP COVER SWITCH (REF GX)	STEP COVER SOLENOID MOVES STEP IN	AAX 16 WHT	AMPLIFIER NEGATIVE OUT (AAW POSITIVE)	REAR WOOFER (WITH DELUXE SOUND SYSTEM)
AAB 14 YEL	DINETTE READING LAMPS	DINETTE READING LAMP SWITCH	AAZ 12 YEL	SLIDEOUT ROOM CONTROL SWITCH (RAM #1)	SLIDEOUT DRIVE MOTOR LEAD #1
AAC 14 YEL	LOUNGE READING LAMPS	LOUNGE READING LAMP SWITCH	BBA 16 WHT	SLIDEOUT ROOM CONTROL SWITCH (RAM #1)	SLIDEOUT DRIVE MOTOR LEAD #2
AAD 14 YEL	FORD CHASSIS TRAILER MARKER LAMP CIRCUIT (BR/WHT)	TRAILER CONNECTOR SOCKET MARKER LAMPS	BBB 16 YEL	SLIDEOUT WIRING (PARK BRAKE SW)(SWITCHED GRD)	SLIDEOUT ROOM RELAY (GROUND TERMINAL)
AAE 14 YEL	FORD CHASSIS TRAILER BACKUP LAMP CIRCUIT (BLK/LT GRN)	TRAILER CONNECTOR SOCKET BACKUP LAMPS	BBC 16 YEL	SLIDEOUT ROOM CIRCUIT BREAKER (6 AMP)	SLIDEOUT ROOM RELAY (PIN 86 & 87)
AAF 14 YEL	FORD CHASSIS TRAILER LEFT TURN/BRAKE LAMP CIRCUIT (YEL)	TRAILER CONNECTOR SOCKET LEFT TURN/BRAKE LAMP	BBD 16 YEL	LOAD SHEDDER MONITOR PANEL (RED WIRE)	LOAD SHEDDER CONTROL BOARD (RED WIRE)
AAG 14 YEL	FORD CHASSIS TRAILER RIGHT TURN/BRAKE LAMP CIRCUIT (DKG)	TRAILER CONNECTOR SOCKET RIGHT TURN/BRAKE LAMP	BBE 16 YEL	LOAD SHEDDER MONITOR PANEL (BLUE WIRE)	LOAD SHEDDER CONTROL BOARD (BLUE WIRE)
AAH 14 YEL	BATH-VENT, POWER	BATH-VENT, THERMOSTAT	BBF 16 YEL	LOAD SHEDDER MONITOR PANEL (BLACK WIRE)	LOAD SHEDDER CONTROL BOARD (BLACK WIRE)
AAJ 14 YEL	BATH-VENT, POWER	BATH-VENT, THERMOSTAT	BBG 14 YEL	LOAD SHEDDER MONITOR PANEL (GRAY WIRE)	LOAD SHEDDER CONTROL BOARD (GRAY WIRE)
AAK 16 WHT	SWITCH-WATER PUMP (MULTIPLEX SYSTEM)	LATCHING RELAY (WITH 4 OR MORE SWITCHES)	BBH 16 YEL	DINETTE CEILING LAMP SWITCH	DINETTE CEILING LAMP
AAL 16 WHT	SWITCH-WATER PUMP (MULTIPLEX SYSTEM)	GROUND	BBJ 16 YEL	REAR COMPRESSOR SIGNAL REAR THERMOSTAT	LOAD SHEDDER CONTROL BOARD
AAM 14 YEL	CHASSIS SUPPLIED WIRE ASM (DARK BLUE) (GM)	RIGHT TAIL LAMP PARK (WIE)	BBK 12 WHT	LOAD SHEDDER CONTROL BOARD	REAR A/C (COOL)
AAN 14 YEL	CHASSIS SUPPLIED WIRE ASM (PURPLE) (GM)	LEFT TAIL LAMP PARK (WIE)	BBL 14 YEL	JET AIR/TAG AXLE WIRING	GROUND, CHASSIS
AAP 10 YEL	55 AMP BREAKER JUMPER WIRE	30 AMP BREAKER	BBM 16 YEL	OVHD SWITCH	OVHD HALOGEN LAMPS
AAR 14 YEL	TV/RADIO SPEAKER FEED SELECTOR SWITCH	TV SPEAKER AMPLIFIER		SLIDEOUT ROOM SWITCH (ROOM TWO EXTEND)	HWH WIRING (ROOM TWO EXTEND)

WIRE IDENTIFICATION CHART

CODE/COLOR	FROM:	TO:	CODE/COLOR	FROM:	TO:
BBN 16 YEL	SLIDEOUT ROOM SWITCH (ROOM TWO RETRACT)	HWH WIRING (ROOM TWO RETRACT)	CCK 14 YEL	COMPARTMENT LAMP SWITCH	COMPARTMENT LAMP
BBP 14 YEL	ICC COURTESY BLINK SWITCH	ICC COURTESY BLINK RELAY	CCL 14 YEL	COMPARTMENT LAMP SWITCH	COMPARTMENT LAMP
BBR 14 YEL	ICC COURTESY BLINK RELAY	CLEARANCE LAMPS	CCM 14 YEL	COMPARTMENT LAMP SWITCH	COMPARTMENT LAMP
BBS 14 YEL	CHASSIS FUSE PANEL	ICC COURTESY BLINK RELAY	CCN 16 YEL	THERMOSTATE LOW SPEED FAN SIGNAL	CENTRAL AIR AND LOAD SHEDDER
BBT 14 YEL	DOCKING LAMP SWITCH TRIGGER RELAY	DOCKING LAMP SWITCH	CCP 16 YEL	LOAD SHEDDER COMPRESSOR TWO CONTROL RELAY	CENTRAL A/C COMPRESSOR TWO
BBU 12 YEL	DOCKING LAMP CIRCUIT BREAKER	DOCKING LAMP RELAY	CCR 14 YEL	SWITCH-MONITOR PANEL (IN EXT. WATER CENTER)	EXTERIOR MONITOR PANEL (IN EXT. WATER CENTER)
BBW 14 YEL	VEHICLE LEFT HEADLAMP LOW BEAM CIRCUIT	LEFT LOW BEAM LAMP	CCS 16 YEL	NOISE FILTER	RADIO POWER INPUT
BBX 14 YEL	VEHICLE RIGHT HEADLAMP LOW BEAM CIRCUIT	RIGHT LOW BEAM LAMP	CCT 16 YEL	REAR RIGHT TV SPEAKER NEGATIVE,SERIES CONNECTION	REAR LEFT TV SPEAKER POSITIVE,SERIES CONNECTION
BBY 14 YEL	SWITCH-MONITOR PANEL (IN EXT. WATER CENTER)	EXTERIOR MONITOR PANEL (IN EXT. WATER CENTER)	CCU 16 YEL	GM DOME LAMP POWER	DOMELAMP
BBZ 14 YEL	OVERCURRENT PROTECTION (15A FUSE/BREAKER TYPICAL)	AUXILIARY FURNACE (CCA)	CCW 12 YEL	DUAL MODE SOLENOID (CHASSIS SIDE)	FUSE HOLDER (30 AMP)
CCA 14 WHT	AUXILIARY FURNACE	GROUND	CCX 16 YEL	ORG WIRE ON AIR COMPRESSOR	AIR PRESSURE SWITCH ON AIR TANK
CCB 16 YEL	EXTERIOR MONITOR PANEL	WATER TANK LEVEL SENSOR	CCY 16 YEL	HWH WIRING (BATTERY POWER)	SLIDEOUT ROOM SWITCH (POSITIVE)
CCC 16 YEL	EXTERIOR MONITOR PANEL	MAIN HOLDING TANK LEVEL SENSOR	CCZ 16 YEL	HWH WIRING (SWITCHED BATTERY POWER)	SLIDEOUT ROOM #1 SWITCH (POSITIVE)
CCD 16 YEL	EXTERIOR MONITOR PANEL	AUX HOLDING TANK LEVEL SENSOR	DDA 16 YEL	HWH WIRING (PUMP RELAY CONTROL)	SLIDEOUT ROOM SWITCH (POSITIVE)
CCE 14 YEL	COMPARTMENT LAMP SWITCH	COMPARTMENT LAMP	DDB 14 YEL	REAR AUTO HEATER CIRCUIT BREAKER	REAR AUTO HEATER RELAY (POWER)
CCF 14 YEL	COMPARTMENT LAMP SWITCH	COMPARTMENT LAMP	DDC 14 YEL	REAR AUTO HEATER RELAY (SWITCHED POWER)	REAR AUTO HEATER SWITCH (COMMON TERMINAL)
CCG 14 YEL	COMPARTMENT LAMP SWITCH	COMPARTMENT LAMP	DDD 14 YEL	MODULE-CHARGE CONTROL RELAY OUTPUT	AUX-START SOLENOID RELAY
CCH 14 YEL	COMPARTMENT LAMP SWITCH	COMPARTMENT LAMP	DDE 14 YEL	AUX-START SOLENOID RELAY	AUX-START SOLENOID
CCJ 14 YEL	COMPARTMENT LAMP SWITCH	COMPARTMENT LAMP	DDF 10 YEL	HEATER BLOWER CIRCUIT BREAKER	HEATER BLOWER RELAY

WIRE IDENTIFICATION CHART

CODE/COLOR	FROM:	TO:	CODE/COLOR	FROM:	TO:
DDG 10 YEL	CIRCUIT BREAKER BUSS BAR	CHASSIS BATTERY FEED CIRCUIT BREAKER	EEC 12 YEL	25 AMP BREAKER IN 12 VOLT PANEL	SOFA RECLINER SWITCH SOFA 4-WAY RECLINER
DDH 14 YEL	FREIGHTLINER RUN ONLY TRIGGER CIRCUIT	HEATER BLOWER RELAY	EED 12 WHT	SOFA RECLINER SWITCH SOFA 4-WAY RECLINER	GROUND
DDJ 16 WHT	CHASSIS PARKING BRAKE TRIGGER CIRCUIT	LEVELING SYSTEM PARKING BRAKE SENSOR WIRE	EEE 14 YEL	OVERCURRENT PROTECTION (15A BREAKER TYPICAL)	12V POWER JACK
DDK 16 YEL	HWH WIRING (PUMP RELAY CONTROL)	REAR SLIDEOUT ROOM SWITCH (POSITIVE)	EEF 14 WHT	12V POWER JACK	GROUND
DDL 14 WHT	FRONT LEFT AUTOMOTIVE LAMPS	GROUND	EEG 12 WHT	POWER COMPT DOOR LOCK RELAYS (RIGHT SIDE)	GROUND
DDM 14 WHT	FRONT RIGHT AUTOMOTIVE LAMPS	GROUND	EEH 12 YEL	SOFA RECLINER SWITCH EXTEND	SOFA RECLINER MOTOR SOFA 4-WAY
DDN 16 YEL	TIMER MODULE	CHECK ANTENNA LIGHT	EEJ 12 YEL	SOFA RECLINER SWITCH RETRACT	SOFA RECLINER MOTOR SOFA 4-WAY
DDP 12 YEL	OVERCURRENT PROTECTION (20A BREAKER TYPICAL)	INVERTER FEED (INVERTER NUMBER 2)	EEK 18 YEL	AUDIO AMPLIFIER	LH FRT SPKR (+)
DDR 12 WHT	INVERTER (INVERTER NUMBER 2)	GROUND	EEL 18 WHT	AUDIO AMPLIFIER	LH FRT SPKR (-)
DDS 12 WHT	INVERTER CHASSIS (INVERTER NUMBER 2)	GROUND	EEM 18 YEL	AUDIO AMPLIFIER	RH FRT SPKR (+)
DDT 12 YEL	POWER COMPT DOOR LOCK RELAY (RIGHT SIDE)	POWER COMPT DOOR LOCK MOTOR(S) (RIGHT SIDE)	EEN 18 WHT	AUDIO AMPLIFIER	RH FRT SPKR (-)
DDU 12 WHT	POWER COMPT DOOR UNLOCK RELAY (RIGHT SIDE)	POWER COMPT LOCK MOTOR(S) (UNLOCK) (RIGHT SIDE)	EEP 18 YEL	AUDIO AMPLIFIER	LH RR SPKR (+)
DDV 12 YEL	POWER COMPT DOOR LOCK RELAY (LEFT SIDE)	POWER COMPT LOCK MOTOR(S) (LOCK) (LEFT SIDE)	EER 18 WHT	AUDIO AMPLIFIER	LH RR SPKR (-)
DDW 12 WHT	POWER COMPT DOOR UNLOCK RELAY (LEFT SIDE)	POWER COMPT LOCK MOTOR(S) (UNLOCK) (LEFT SIDE)	EES 18 YEL	AUDIO AMPLIFIER	RH RR SPKR (+)
DDX 12 YEL	OVERCURRENT PROTECTION (20A BREAKER TYPICAL)	POWER COMPT DOOR LOCK/ UNLOCK RELAY (RIGHT SIDE)	EET 18 WHT	AUDIO AMPLIFIER	RH RR SPKR (-)
DDY 12 YEL	OVERCURRENT PROTECTION (20A BREAKER TYPICAL)	POWER COMPT DOOR LOCK/ UNLOCK RELAY (LEFT SIDE)	EEU 18 YEL	AUDIO AMPLIFIER	CTR CHANNEL SPKR (+)
DDZ 12 YEL	POWER COMPT DOOR LOCK SWITCH (LOCK) (PIN 1)	POWER COMPT DOOR LOCK RELAY (PIN 86)	EEW 18 WHT	AUDIO AMPLIFIER	CTR CHANNEL SPKR (-)
EEA 12 WHT	POWER COMPT DOOR LOCK SWITCH (UNLOCK) (PIN 5)	POWER COMPT DOOR UNLOCK RELAY (PIN 86)	EEX 12/10 YEL	PASSENGER AUTO A/C FEED CIRCUIT	PASSENGER AUTO A/C BLOWER (USE 10 IF OVER 6')
EEB 12 WHT	POWER COMPT DOOR LOCK RELAYS (LEFT SIDE)	GROUND	EY 10 WHT	PASSENGER AUTO A/C MOTOR	GROUND

WIRE IDENTIFICATION CHART

CODE/COLOR	FROM:	TO:	CODE/COLOR	FROM:	TO:
EEZ 12/10 YEL	OVERCURRENT PROTECTION (30A BREAKER TYPICAL)	PASSENGER HI-SPEED HEATER FAN (USER 10 IF OVER 6')	FFV 16 YEL	AWNING SELECTOR SWITCH (PATIO AWNING)	AWNING CONTROL SWITCH (PATIO AWNING)
FFA 10 YEL	PASSENGER HEATER BLOWER CIRCUIT BREAKER	PASSENGER HEATER BLOWER RELAY	FFW 14 YEL	LOUNGE LAMPS SWITCH #1	LOUNGE LAMPS SWITCH #2
FFB 10 YEL	OVERCURRENT PORTECTION (30A BREAKER TYPICAL)	POWER LOUNGE CHAIR	FFX 14 YEL	LOUNGE LAMPS SWITCH #1	LOUNGE LAMPS SWITCH #2
FFC 10 WHT	POWER LOUNGE CHAIR	GROUND	FFY 14 YEL	CEILING FAN SWITCH	CEILING FAN
FFD 12 YEL	OVERCURRENT PROTECTION (30A BREAKER TYPICAL)	AWNING CONTROL BOX (12V POSITIVE)	FFZ 14 YEL	OVERCURRENT PROTECTION (15A FUSE/BREAKER TYPICAL)	COACH LIGHTING,ETC CIRCUIT #7 (REF GGA)
FFE 12 WHT	AWNING CONTROL BOX	GROUND	GGA 14 WHT	COACH LIGHTING (REF-FFZ)	GROUND
FFF 12 YEL	AWNING CONTROL BOX	DOOR AWNING (MOTOR POSITIVE)	GGB 14 YEL	POWER LIFT VENT	POWER LIFT SWITCH (UP)
FFG 12 WHT	DOOR AWNING (MOTOR GROUND)	AWNING CONTROL BOX	GGC 14 YEL	POWER LIFT VENT	POWER LIFT SWITCH (DOWN)
FFH 12 YEL	AWNING CONTROL BOX	PATIO AWNING (MOTOR POSITIVE)	GGD 16 YEL	CONTROL MODULE (LEFT FRONT SLIDE)(STOP)	SLIDEOUT SWITCH (LEFT FRONT SLIDE)
FFJ 12 WHT	PATIO AWNING (MOTOR GROUND)	AWNING CONTROL BOX	GGE 16 YEL	CONTROL MODULE (LEFT FRONT SLIDE)(GREEN LED)	SLIDEOUT SWITCH (LEFT FRONT SLIDE)
FFK 16 YEL	AWNING CONTROL BOX	DOOR AWNING SWITCH (EXTEND)	GGF 16 YEL	CONTROL MODULE (LEFT FRONT SLIDE)(RED LED)	SLIDEOUT SWITCH (LEFT FRONT SLIDE)
FFL 16 YEL	DOOR AWNING SWITCH (COMMON)	AWNING CONTROL BOX	GGG 16 YEL	CONTROL MODULE (LEFT FRONT SLIDE)(SIGNAL)	LEFT FRONT SLIDE,FRONT RAM (ENCODER)
FFM 16 YEL	AWNING CONTROL BOX	DOOR AWNING SWITCH (RETRACT)	GGH 16 YEL	CONTROL MODULE (LEFT FRONT SLIDE)(+)	LEFT FRONT SLIDE,FRONT RAM (ENCODER)
FFN 16 YEL	AWNING CONTROL BOX	PATIO AWNING SWITCH (EXTEND)	GGJ 16 WHT	CONTROL MODULE (LEFT FRONT SLIDE)(-)	LEFT FRONT SLIDE,FRONT RAM (ENCODER)
FFP 16 YEL	PATIO AWNING SWITCH (COMMON)	AWNING CONTROL BOX	GGK 16 YEL	CONTROL MODULE (LEFT FRONT SLIDE)(SIGNAL)	LEFT FRONT SLIDE,REAR RAM (ENCODER)
FFR 16 YEL	AWNING CONTROL BOX	PATIO AWNING SWITCH (RETRACT)	GGL 16 YEL	CONTROL MODULE (LEFT FRONT SLIDE)(+)	LEFT FRONT SLIDE,REAR RAM (ENCODER)
FFS 14 WHT	RELAY (PIN 30)	AWNING CONTROL BOX	GGM 16 WHT	CONTROL MODULE (LEFT FRONT SLIDE)(-)	LEFT FRONT SLIDE,REAR RAM (ENCODER)
FFT 14 WHT	PATIO AWNING SWITCH	AWNING CONTROL BOX	GGN 12 YEL	CONTROL MODULE (RAM #2)	SLIDEOUT ACTUATOR DRIVE LEAD #1
FFU 16 YEL	AWNING SELECTOR SWITCH (DOOR AWNING)	AWNING CONTROL SWITCH (DOOR AWNING)	GGP 12 YEL	CONTROL MODULE (RAM #2)	SLIDEOUT ACTUATOR DRIVE LEAD #2

WIRE IDENTIFICATION CHART

CODE/COLOR	FROM:	TO:	CODE/COLOR	FROM:	TO:
GGR 16 YEL	FRONT ROOF HEAT PUMP	THERMOSTAT (W TERMINAL)	HHL 14 YEL	DRIVER'S POWER SUNVISOR SWITCH	DRIVER'S POWER SUNVISOR
GGG 16 YEL	REAR ROOF HEAT PUMP	THERMOSTAT (W TERMINAL)	HHM 14 YEL	PASS POWER SUNVISOR SWITCH	PASS POWER SUNVISOR
GGT 12 YEL	SOFA RECLINER SWITCH EXTEND	SOFA RECLINER MOTOR SOFA 4-WAY	HHN 14 YEL	PASS POWER SUNVISOR SWITCH	PASS POWER SUNVISOR
GGU 12 YEL	SOFA RECLINER SWITCH RETRACT	SOFA RECLINER MOTOR SOFA 4-WAY	HHP 14 YEL	HOT WATER HEAT CONTROL BOARD (F1)	ZONE 1 FAN SPEED SWITCH
GGV 14 WHT	GPS (BLACK WIRE)	GROUND	HHR 14 YEL	ZONE 1 FAN SPEED SWITCH	ZONE 1 HEATER FAN
GGW 16 YEL	GPS (GREEN/WHITE WIRE)	VEHICLE SPEED SENSOR (CHASSIS SUPPLIED)	HHS 16 YEL	HOT WATER HEAT CONTROL BOARD (TC)	ZONE 2 & 3 THERMOSTAT
GGX 14 YEL	10 OHM RESISTOR *	BEDROOM CEILING FAN (LOW SPEED)	HHT 16 YEL	HOT WATER HEAT CONTROL BOARD (T2)	ZONE 2 THERMOSTAT
GGY 14 YEL	BATHROOM VENT SWITCH	BATHROOM VENT	HHU 14 YEL	HOT WATER HEAT CONTROL BOARD (F2)	ZONE 2 FAN SPEED SWITCH
GGZ 14 YEL	BEDROOM VENT SWITCH	BEDROOM VENT	HHV 14 YEL	ZONE 2 FAN SPEED SWITCH	ZONE 2 HEATER FAN
HHA 14 YEL	OVERCURRENT PROTECTION (15A FUSE/BREAKER TYPICAL)	COACH VENTS/LAMPS (REF HHB)	HHW 16 YEL	HOT WATER HEAT CONTROL BOARD (T3)	ZONE 3 THERMOSTAT
HHB 14 WHT	COACH VENTS/LAMPS (REF HHA)	GROUND	HHX 14 YEL	HOT WATER HEAT CONTROL BOARD (F3)	ZONE 3 HEATER FAN
HHC 12 YEL	STEP COVER SWITCH	STEP COVER MOTOR (+)RETRACT, (-)EXTEND	HHY 16 WHT	AWNING CONTROL BOX	WIND SENSOR (NEGATIVE)
HHD 12 YEL	STEP COVER SWITCH	STEP COVER MOTOR (-)EXTEND, (+)RETRACT	HHZ 16 YEL	AWNING CONTROL BOX	WIND SENSOR (POSITIVE)
HHE 16 YEL	SLIDEOUT ROOM SWITCH (ROOM THREE EXTEND)	HWH WIRING (ROOM THREE EXTEND)	JJA 16 YEL	AWNING CONTROL BOX	WIND SENSOR TEMPERATURE OUTPUT
HHF 16 YEL	SLIDEOUT ROOM SWITCH (ROOM THREE RETRACT)	HWH WIRING (ROOM THREE RETRACT)	JJB 16 YEL	AWNING CONTROL BOX	WIND SENSOR SPEED OUTPUT
HHG 16 YEL	SLIDEOUT ROOM SWITCH (ROOM FOUR EXTEND)	HWH WIRING (ROOM FOUR EXTEND)	JJC 14 YEL	ENGINE HEATER CIRCULATING PUMP SWITCH	HOT WATER HEAT CONTROL PANEL (BLU/BLK WIRE)
HHH 16 YEL	SLIDEOUT ROOM SWITCH (ROOM FOUR RETRACT)	SLIDEOUT ROOM SWITCH (ROOM FOUR RETRACT)	JJD 10 YEL	OVERCURRENT PROTECTION (25 FUSE TYPICAL)	HOT WATER HEAT CONTROL BOARD
HHJ 14 YEL	110V WATER HEATER TRIGGER SWITCH	WATER HEATER RELAY	JJE 10 WHT	HOT WATER HEAT CONTROL BOARD	GROUND
HHK 14 YEL	DRIVER'S POWER SUNVISOR SWITCH	DRIVER'S POWER SUNVISOR	JJF 14 YEL	SATELLITE POWER SWITCH	SATELLITE-AUTO SEEK

WIRE IDENTIFICATION CHART

CODE/COLOR	FROM:	TO:	CODE/COLOR	FROM:	TO:
JJG 12 YEL	OVERCURRENT PROTECTION (20 AMP BREAKER TYPICAL)	SLIDEOUT ROOM CONTROL SWITCH (RAM #3)	KKC 12 YEL	POWER SEAT RELAY	POWER SEAT (HEATER)
JJH 12 WHT	SLIDEOUT ROOM CONTROL SWITCH (RAM #3)	GROUND	KKD 16 YEL	CONFIRMATION EMERGENCY SHUT OFF SWITCH (IN COACH)	EMERGENCY SHUT OFF SWITCH (ON REMOTE FILL BRACKET)
JJJ 12 YEL	SLIDEOUT ROOM CONTROL SWITCH (RAM #3)	SLIDEOUT DRIVE MOTOR LEAD #1	KKE 16 YEL	EMERGENCY SHUT OFF SWITCH (ON REMOTE FILL BRACKET)	EMERGENCY SHUT OFF SOLENOID (ON LP TANK)
JJK 12 YEL	SLIDEOUT ROOM CONTROL SWITCH (RAM #3)	SLIDEOUT DRIVE MOTOR LEAD #2	KKF 6 BLK	BATTERY DISCONNECT RELAY	COACH BUSS BAR
JJL 12 YEL	OVERCURRENT PROTECTION (20 AMP BREAKER TYPICAL)	SLIDEOUT ROOM CONTROL SWITCH (RAM #2)	KKG 8 BLK	BATTERY MODE SOLENOID	CHASSIS BUSS BAR
JJM 16 YEL	HWH WIRING (SWITCHED BATTERY POWER)	SLIDEOUT ROOM SWITCH #2 (SWITCHED EXTEND/RETRACT PWR)	KKH 14 YEL	EXTERIOR SERVICE LAMP SWITCH #1	EXTERIOR SERVICE LAMP SWITCH #2
JJN 16 YEL	HWH WIRING (SWITCHED BATTERY POWER)	SLIDEOUT ROOM SWITCH #3 (SWITCHED EXTEND/RETRACT PWR)	KKJ 14 YEL	EXTERIOR SERVICE LAMP SWITCH #1	EXTERIOR SERVICE LAMP SWITCH #2
JJP 16 YEL	HWH WIRING (SWITCHED BATTERY POWER)	SLIDEOUT ROOM SWITCH #4 (SWITCHED EXTEND/RETRACT PWR)	KKK 16 YEL	HWH WIRING (SWITCHED BATTERY POWER)	SLIDEOUT ROOM #2 SWITCH (POSITIVE)
JJR 16 YEL	REMOTE SWITCH (EXTEND)	PATIO AWNING CONTROL MODULE (RELAY POSITION 87A,EXTEND)	KKL 16 YEL	HWH WIRING (SWITCHED BATTERY POWER)	SLIDEOUT ROOM #3 SWITCH (POSITIVE)
JJS 12 YEL	REMOTE SWITCH	DOOR AWNING CONTROL RELAY (RELAY POSITION 87A,EXTEND)	KKM 16 YEL	HWH WIRING (SWITCHED BATTERY POWER)	SLIDEOUT ROOM #4 SWITCH (POSITIVE)
JJT 14 YEL	OVERCURRENT PROTECTION (15A FUSE/BREAKER TYPICAL)	COACH 12V RECEPTACLES (REF JJU)	KKN 14 YEL	KEYLESS ENTRY PORCH LIGHT OUTPUT	PORCH/STEP/MAP LAMP
JJU 14 WHT	COACH 12V RECEPTACLES (REF JJT)	GROUND	KKP 14 YEL	LOUNGE CEILING ROPE LAMP SWITCH (CIRCUIT #1)	LOUNGE CEILING ROPE LAMP (REF CIRCUIT SSZ)
JJV 14 YEL	MONITOR PANEL LAMP SWITCH	MONITOR PANEL LAMP	KKR 14 YEL	BEDROOM CEILING ROPE LAMP SWITCH	BEDROOM CEILING ROPE LAMP
JJW 14 YEL	RUN ONLY POWER BREAKER	RUN ONLY POWER RELAY	KKS 14 YEL	BEDROOM VALANCE LAMP SWITCH	BEDROOM VALANCE LAMP
JJX 14 YEL	RUN ONLY POWER RELAY	GENERAL PURPOSE (RUN ONLY FEED)	KKT 14 YEL	BEDROOM "MOOD" LAMP SWITCH	BEDROOM "MOOD" LAMP
JJY 14 YEL	RUN/ACC POWER #1 BREAKER	RUN/ACC POWER #1 RELAY	KKU 16 YEL	REAR TV SPEAKER OUTPUT (RIGHT POSITIVE)	RIGHT SPEAKER (POSITIVE)
JJZ 14 YEL	RUN/ACC POWER #1 RELAY (REF LLD)	GENERAL PURPOSE (RUN/ACC FEED #1)	KKV 16 WHT	REAR TV SPEAKER OUTPUT (RIGHT NEGATIVE)	RIGHT SPEAKER (NEGATIVE)
KKA 14 YEL	RUN/ACC POWER #2 BREAKER	RUN/ACC POWER #2 RELAY	KKW 16 YEL	REAR TV SPEAKER OUTPUT (LEFT POSITIVE)	LEFT SPEAKER (POSITIVE)
KKB 14 YEL	RUN/ACC POWER #2 RELAY (REF LLE)	GENERAL PURPOSE (RUN/ACC FEED #2)	KKX 16 WHT	REAR TV SPEAKER OUTPUT (LEFT NEGATIVE)	LEFT SPEAKER (NEGATIVE)

WIRE IDENTIFICATION CHART

CODE/COLOR	FROM:	TO:	CODE/COLOR	FROM:	TO:
KKY 14 YEL	OVERCURRENT PROTECTION (15A FUSE/BREAKER TYPICAL)	COACH LIGHTING,ETC CIRCUIT #8 (REF KKZ)	LLU 10 YEL	CONTROL MODULE (LEFT FRONT SLIDE)	LT FRT SLIDE RR RAM (MOTOR DRIVE LINE)
KKZ 14 WHT	COACH LIGHTING (REF KKY)	GROUND	LLV 10 YEL	CONTROL MODULE (REAR SLIDE)	REAR SLIDEOUT RAM (MOTOR DRIVE LINE)
LLA 14 YEL	OVERCURRENT PROTECTION (15A FUSE/BREAKER TYPICAL)	COACH LIGHTING,ETC CIRCUIT #9 (REF LLB)	LLW 10 YEL	CONTROL MODULE (LEFT FRONT SLIDE)	LT FRT SLIDE RR RAM (MOTOR DRIVE LINE)
LLB 14 WHT	COACH LIGHTING (REF LLA)	GROUND	LLX 10 YEL	CONTROL MODULE (REAR SLIDE)	REAR SLIDEOUT RAM (MOTOR DRIVE LINE)
LLC 14 YEL	SEAT HEATER BREAKER (15 AMP BREAKER TYPICAL)	SEAT HEATER RELAY POSITION 30	LLY 16 WHT	CONTROL MODULE (REAR SLIDE)(GROUND)	SLIDEOUT SWITCH (REAR SLIDEOUT)
LLD 14 WHT	RUN/ACC FEED #1 (REF JJZ)	GROUND	LLZ 16 YEL	CONTROL MODULE (REAR SLIDE)(RETRACT)	SLIDEOUT SWITCH (REAR SLIDEOUT)
LLE 14 WHT	RUN/ACC FEED #2 (REF KKB)	GROUND	MMA 16 YEL	CONTROL MODULE (REAR SLIDE)(STOP)	SLIDEOUT SWITCH (REAR SLIDEOUT)
LLF 14 YEL	DOVE LAMP RELAY	DOVE LAMP	MMB 16 YEL	CONTROL MODULE (REAR SLIDE)(GREEN LED)	SLIDEOUT SWITCH (REAR SLIDEOUT)
LLG 10/12 YEL	TRAILER BRAKE SIGNAL (OUTPUT FROM CONTROLLER)	TRAILER CONNECTOR (ELECTRIC BRAKES)	MMC 16 YEL	CONTROL MODULE (REAR SLIDE)(EXTEND)	SLIDEOUT SWITCH (REAR SLIDEOUT)
LLH 14 WHT	RUN ONLY GROUND SOURCE (CHASSIS SUPPLIED)	AUX START RELAY	MMD 16 YEL	CONTROL MODULE (REAR SLIDE)(RED LED)	SLIDEOUT SWITCH (REAR SLIDEOUT)
LLJ 14 YEL	AUX START RELAY (RUN ONLY POWER)	AUX START SWITCH	MME 10 YEL	CHASSIS SIDE OF SOLENOID (FRT LT/REAR SLIDE RAMS)	BREAKER PANEL BUSS BAR (FRT LT/REAR SLIDE RAMS)
LLK 10 YEL	CHASSIS BREAKER PANEL (LH FRT SLIDE)(FRT RAM)	CONTROL MODULE (LH FRT SLIDE)	MMF 10 YEL	CHASSIS SIDE OF SOLENOID (FRT RT SLIDE RAMS)	BREAKER PANEL BUSS BAR (FRT RT SLIDE RAMS)
LLL 10 WHT	CHASSIS GROUND BAR (LH FRT SLIDE)(FRT RAM)	CONTROL MODULE (LH FRT SLIDE)	MMG 10 YEL	CHASSIS SIDE OF SOLENOID (REAR SLIDE RAM)	BREAKER PANEL (REAR SLIDE RAM)
LLM 10 YEL	CHASSIS BREAKER PANEL (LH FRT SLIDE)(REAR RAM)	CONTROL MODULE (LH FRT SLIDE)	MMH 16 YEL	OVERCURRENT PROTECTION (6 AMP BREAKER TYPICAL)	POWER SUNVISOR SWITCH
LLN 10 WHT	CHASSIS GROUND BAR (LH FRT SLIDE)(REAR RAM)	CONTROL MODULE (LH FRT SLIDE)	MMJ 16 WHT	GROUND	POWER SUNVISOR SWITCH
LLP 10 YEL	CHASSIS BREAKER PANEL (REAR SLIDE RAM)	CONTROL MODULE (REAR SLIDE)	MMK 16 YEL	BEDROOM STEREO (LEFT SPEAKER REF)	CROSS OVER BOX (POSITIVE)
LLR 10 WHT	CHASSIS GROUND BAR (REAR SLIDE RAM)	CONTROL MODULE (REAR SLIDE)	MML 16 WHT	BEDROOM STEREO (LEFT SPEAKER REF)	CROSS OVER BOX (NEGATIVE)
LLS 10 YEL	CONTROL MODULE (LEFT FRONT SLIDE)	LT FRT SLIDE FRT RAM (MOTOR DRIVE LINE)	MMM 16 YEL	BEDROOM STEREO (RIGHT SPEAKER REF)	CROSS OVER BOX (POSITIVE)
LLT 10 YEL	CONTROL MODULE (LEFT FRONT SLIDE)	LT FRT SLIDE FRT RAM (MOTOR DRIVE LINE)	MMN 16 WHT	BEDROOM STEREO (RT/WOOFER SPKER REF)	CROSS OVER BOX (NEGATIVE)

WIRE IDENTIFICATION CHART

CODE/COLOR	FROM:	TO:	CODE/COLOR	FROM:	TO:
MMP 16 YEL	CROSS OVER COIL (POSITIVE)	SUBWOOFER (BEDROOM)	NNK 16 YEL	KEYLESS ENTRY TOUCH PAD SIGNAL	ENTRANCE DOOR TOUCH PAD
MMR 14 YEL	CHASSIS TOW MARKER LAMPS CIRCUIT	TRAILER CONNECTOR (TAIL/MARKER LAMPS)	NNL 16 YEL	PASSENGER TEMP CONTROL (CONTROL OUT)	PASSENGER AC/HEATER
MMS 12 YEL	+12V	PASSENGER AC/HEATER CONTROLS	NNM 16 YEL	PASSENGER VENT CONTROL (CONTROL OUT)	PASSENGER VENT
MMT 12 YEL	PASSENGER FAN SWITCH (LOW SPEED)	PASSENGER FAN	NNN 16 YEL	CONTROL MODULE (RIGHT FRONT SLIDE)(STOP)	SLIDEOUT SWITCH (RIGHT FRONT SLIDE)
MMU 12 YEL	PASSENGER FAN SWITCH (MED SPEED)	PASSENGER FAN	NNP 16 YEL	CONTROL MODULE (RIGHT FRONT SLIDE)(GREEN LED)	SLIDEOUT SWITCH (RIGHT FRONT SLIDE)
MMV 12 YEL	PASSENGER FAN SWITCH (HIGH SPEED)	PASSENGER FAN	NNR 16 YEL	CONTROL MODULE (RIGHT FRONT SLIDE)(RED LED)	SLIDEOUT SWITCH (RIGHT FRONT SLIDE)
MMW 16 YEL	+12V	PASSENGER CONTROL PANEL LAMPS	NNS 16 WHT	CONTROL MODULE (RIGHT FRONT SLIDE)(GROUND)	SLIDEOUT SWITCH (RIGHT FRONT SLIDEOUT)
MMX 16 WHT	PASSENGER CONTROL PANEL LAMPS	GROUND	NNT 16 YEL	CONTROL MODULE (RIGHT FRONT SLIDE)(SIGNAL)	RIGHT FRONT SLIDE,FRONT RAM (ENCODER)
MMY 16 WHT	PASSENGER TEMP AND VENT CONTROL	GROUND	NNU 16 YEL	CONTROL MODULE (RIGHT FRONT SLIDE)(+)	RIGHT FRONT SLIDE,FRONT RAM (ENCODER)
MMZ 12 YEL	SLIDEOUT ROOM CONTROL SWITCH (RAM #1)	SLIDEOUT DRIVE MOTOR LEAD #1	NNV 16 WHT	CONTROL MODULE (RIGHT FRONT SLIDE)(-)	RIGHT FRONT SLIDE,FRONT RAM (ENCODER)
NNA 12 YEL	SLIDEOUT ROOM CONTROL SWITCH (RAM #1)	SLIDEOUT DRIVE MOTOR LEAD #2	NNW 16 YEL	CONTROL MODULE (RIGHT FRONT SLIDE)(SIGNAL)	RIGHT FRONT SLIDE,REAR RAM (ENCODER)
NNB 16 YEL	CONTROL MODULE (FRONT SLIDE) (SIGNAL)	FRONT SLIDE FRONT RAM (ENCODER)	NNX 16 YEL	CONTROL MODULE (RIGHT FRONT SLIDE)(+)	RIGHT FRONT SLIDE,REAR RAM (ENCODER)
NNC 16 YEL	CONTROL MODULE (FRONT SLIDE) (+)	FRONT SLIDE FRONT RAM (ENCODER)	NNY 16 WHT	CONTROL MODULE (RIGHT FRONT SLIDE)(-)	RIGHT FRONT SLIDE,REAR RAM (ENCODER)
NND 16 WHT	CONTROL MODULE (FRONT SLIDE) (-)	FRONT SLIDE FRONT RAM (ENCODER)	NNZ 10 YEL	CHASSIS BREAKER PANEL (RH FRT SLIDE)(FRT RAM)	CONTROL MODULE (RIGHT FRONT SLIDE)
NNE 16 YEL	CONTROL MODULE (FRONT SLIDE) (SIGNAL)	FRONT SLIDE REAR RAM (ENCODER)	PPA 10 WHT	CHASSIS GROUND BAR (RH FRT SLIDE)(FRT RAM)	CONTROL MODULE (RIGHT FRONT SLIDE)
NNF 16 YEL	CONTROL MODULE (FRONT SLIDE) (+)	FRONT SLIDE REAR RAM (ENCODER)	PPB 10 YEL	CHASSIS BREAKER PANEL (RH FRT SLIDE)(REAR RAM)	CONTROL MODULE (RIGHT FRONT SLIDE)
NNG 16 WHT	CONTROL MODULE (FRONT SLIDE) (-)	FRONT SLIDE REAR RAM (ENCODER)	PPC 10 WHT	CHASSIS GROUND BAR (RH FRT SLIDE)(REAR RAM)	CONTROL MODULE (RIGHT FRONT SLIDE)
NNH 12 YEL	CONTROL MODULE (RAM #2)	SLIDEOUT ACTURATOR DRIVE LEAD #1	PPD 10 YEL	CONTROL MODULE (RIGHT FRONT SLIDE)	RH FRT SLIDE FRT RAM (MOTOR DRIVE LINE)
NNJ 12 YEL	CONTROL MODULE (RAM #2)	SLIDEOUT ACTURATOR DRIVE LEAD #2	PPE 10 YEL	CONTROL MODULE (RIGHT FRONT SLIDE)	RH FRT SLIDE FRT RAM (MOTOR DRIVE LINE)

WIRE IDENTIFICATION CHART

CODE/COLOR	FROM:	TO:	CODE/COLOR	FROM:	TO:
PPF 10 YEL	CONTROL MODULE (RIGHT FRONT SLIDE)	RH FRT SLIDE RR RAM (MOTOR DRIVE LINE)	RRB 14 YEL	GENERAL SWITCH	GENERAL LAMP
PPG 10 YEL	CONTROL MODULE (RIGHT FRONT SLIDE)	RH FRT SLIDE RR RAM (MOTOR DRIVE LINE)	RRC 14 YEL	GENERAL SWITCH	GENERAL LAMP
PPH 14 YEL	CHASSIS CLEARANCE LAMPS CRT #2 (REF MM)	CLEARANCE/MARKER LAMPS	RRD 14 YEL	GALLEY CEILING FAN SWITCH	GALLEY CEILING FAN
PPJ 14 YEL	PASSENGER SUNVISOR SWITCH DRIVER'S SIDE	PASSENGER SUNVISOR SWITCH PASSENGER'S SIDE	RRE 14 YEL	10 OHM RESISTOR	LOUNGE CEILING FAN (LOW SPEED)
PPK 14 YEL	PASSENGER SUNVISOR SWITCH DRIVER'S SIDE	PASSENGER SUNVISOR SWITCH PASSENGER'S SIDE	RRF 14 YEL	BEDROOM READING LAMP SWITCH	BEDROOM READING LAMP
PPL 14 YEL	DASH RADIO ACCESSORY POWER	TV/RADIO SPEAKER SELECTOR SWITCH	RRG 14 YEL	BEDROOM READING LAMP SWITCH #1 (2 SWITCH SYSTEM)	BEDROOM READING LAMP SWITCH #2 (2 SWITCH SYSTEM)
PPM 12 YEL	OVERCURRENT PROTECTION (15A BREAKER TYPICAL)	LEFT FRONT SLIDEOUT LOCK SWITCH	RRH 14 YEL	BEDROOM READING LAMP SWITCH #1 (2 SWITCH SYSTEM)	BEDROOM READING LAMP SWITCH #2 (2 SWITCH SYSTEM)
PPN 12 WHT	LEFT FRONT SLIDEOUT LOCK SWITCH (REF PPM)	GROUND	RRJ 12 WHT	SEVEN PIN CONNECTOR (TRAILER CONNECTOR)	GROUND
PPP 12 YEL	OVERCURRENT PROTECTION (15A BREAKER TYPICAL)	RIGHT FRONT SLIDEOUT LOCK SWITCH	RRK 16 YEL	2ND GALLEY HOLDING TANK	SELECTOR SWITCH
PPR 12 WHT	RIGHT FRONT SLIDEOUT LOCK SWITCH (REF PPP)	GROUND	RRL 16 YEL	HOLDING TANK SELECTOR SWITCH	MONITOR PANEL
PPS 12 YEL	LEFT FRONT SLIDEOUT LOCK SWITCH	LEFT FRONT SLIDEOUT LOCK MOTOR	RRM 14 YEL	CENTER POWER SUNVISOR SWITCH	CENTER SUNVISOR
PPT 12 YEL	LEFT FRONT SLIDEOUT LOCK SWITCH	LEFT FRONT SLIDEOUT LOCK MOTOR	RRN 14 YEL	CENTER POWER SUNVISOR SWITCH	CENTER SUNVISOR
PPU 12 YEL	RIGHT FRONT SLIDEOUT LOCK SWITCH	RIGHT FRONT SLIDEOUT LOCK MOTOR	RRP 16 YEL	THERMOSTAT (LOW STAGE)	FURNACE (LOW STAGE)
PPV 12 YEL	RIGHT FRONT SLIDEOUT LOCK SWITCH	RIGHT FRONT SLIDEOUT LOCK MOTOR	RRR 16 YEL	THERMOSTAT (HIGH STAGE)	FURNACE (HIGH STAGE)
PPW 14 YEL	SLIDEOUT LOCK SWITCH W/SLIDEOUT SWITCH #1 IN DASH	SLIDEOUT ROOM #1 SWITCH (POSITIVE)	RRS 16 YEL	SLIDEOUT LOCK SWITCH (#1)	SLIDEOUT LOCK SWITCH (#2)
PPX 14 YEL	SLIDEOUT LOCK SWITCH W/SLIDEOUT SWITCH #3 IN DASH	SLIDEOUT ROOM #3 SWITCH (POSITIVE)	RRT 16 YEL	AWNING CONTROL BOX (LOCATED IN HOUSING PIN 1)	DOOR AWNING LIMIT SWITCH (LOCATED IN HOUSING PIN 1)
PPY 14 YEL	SLIDEOUT LOCK SWITCH W/SLIDEOUT SWITCH #4 IN DASH	SLIDEOUT ROOM #4 SWITCH (POSITIVE)	RRU 16 WHT	AWNING CONTROL BOX (LOCATED IN HOUSING PIN 2)	DOOR AWNING LIMIT SWITCH (LOCATED IN HOUSING PIN 2)
PPZ 12 YEL	CHASSIS SUPPLIED WIRING	TRAILER TOW BATTERY FEED (7 WAY TOW CONNECTOR)	RRV 14 YEL	VIDEO CAMERA SWITCHER	MONITOR
RRA 14 YEL	GENERAL SWITCH	GENERAL LAMP	RRW 14 YEL	LOCKOUT POSITIONING SWITCH	FIREPLACE LOCKOUT RECP

WIRE IDENTIFICATION CHART

CODE/COLOR	FROM:	TO:	CODE/COLOR	FROM:	TO:
RRX 10 YEL	12V BREAKER PANEL (30 AMP TYPICAL)	SMART FUSE BLOCK (POSITIVE)	SST 14 YEL	GALLEY LAMP SWITCH #1	GALLEY LAMP SWITCH #2
RRY 18 YEL	SMART FUSE BLOCK (COMMUNICATION BUS)	SMART FUSE SWITCH PANEL	SSU 14 YEL	GALLEY LAMP SWITCH #1	GALLEY LAMP SWITCH #2
RRZ 18 WHT	SMART FUSE BLOCK (COMMUNICATION GROUND)	SMART FUSE SWITCH PANEL	SSV 14 YEL	BATH CEILING LAMP SWITCH #1 (2 SWITCH SYSTEM)	BATH CEILING LAMP SWITCH #2 (2 SWITCH SYSTEM)
SSA 14 WHT	FRONT LEFT SLIDE LOCK (INDICATOR OUTPUT-GROUND)	FRONT LEFT LOCK SWITCH LED	SSW 14 YEL	BATH CEILING LAMP SWITCH #1 (2 SWITCH SYSTEM)	BATH CEILING LAMP SWITCH #2 (2 SWITCH SYSTEM)
SSB 14 WHT	FRONT RIGHT SLIDE LOCK (INDICATOR OUTPUT-GROUND)	FRONT RIGHT LOCK SWITCH LED	SSX 12 YEL	DOOR AWNING SWITCH	DOOR AWNING CONTROL RELAY (RELAY POSITION 87A EXTEND)
SSC 14 YEL	JACK CONTROL PANEL (LEVEL)	REMOTE AUTO LEVEL SWITCH	SSY 12 WHT	DOOR AWNING SWITCH	DOOR AWNING LIMIT SWITCH
SSD 14 YEL	JACK CONTROL PANEL (STORE)	REMOTE AUTO LEVEL SWITCH	SSZ 14 YEL	LOUNGE CEILING ROPE LAMP SWITCH (CIRCUIT #2)	LOUNGE CEILING ROPE LAMP (REF CIRCUIT KKP)
SSE 14 YEL	JACK CONTROL PANEL (COMMON)	REMOTE AUTO LEVEL SWITCH (+)HWH (-)KWIKEE	TTA 14 YEL	LEVELING SYSTEM CONTROLS	INDICATOR LAMP/ALARM (POSITIVE)
SSF 14 YEL	JACK CONTROL PANEL (INDICATOR LED)	REMOTE AUTO LEVEL SWITCH (-)HWH (+)KWIKEE	TTB 14 WHT	LEVELING SYSTEM CONTROLS	INDICATOR LAMP/ALARM (NEGATIVE)
SSG 18 YEL	TRANSFORMER	AUTO GENERATOR START MONITOR PANEL	TTC 10 YEL	CHASSIS BATTERY	SLIDEOUT LOCK BREAKER
SSH 18 WHT	TRANSFORMER	AUTO GENERATOR START MONITOR PANEL	TTD 14 YEL	VEHICLE LEFT HEADLAMP HI BEAM CIRCUIT	LEFT HI BEAM LAMP
SSJ 10 YEL	BRAKE CONTROLLER POWER (30-AMP BREAKER TYPICAL)	BRAKE CONTROLLER (POWER INPUT)	TTE 14 YEL	RELAY	RIGHT DOCKING LAMP
SSK 14 WHT	BRAKE CONTROLLER (GROUND)	GROUND	TTF 14 YEL	RELAY	LEFT DOCKING LAMP
SSL 14 YEL	CHASSIS REAR LAMP WIRING (LEFT TURN ONLY)	LEFT TURN SIGNAL *NOT COMBO TURN/BRAKE*	TTG 18 YEL	FRONT THERMOSTAT (MAIN)	REMOTE SENSOR
SSM 14 YEL	CHASSIS REAR LAMP WIRING (RIGHT TURN ONLY)	RIGHT TURN SIGNAL *NOT COMBO TURN/BRAKE*	TTH 18 YEL	FRONT THERMOSTAT (MAIN)	REMOTE SENSOR
SSN 18 WHT	FRONT RIGHT SLIDEOUT LOCK END SWITCH (FROM NNS)	CONTROL MODULE (RIGHT FRONT SLIDE)(GROUND)	TTJ 14 YEL	BRAKE LAMP CIRCUIT BREAKER	BRAKE LAMP RELAY
SSP 18 WHT	LEFT FRONT SLIDEOUT LOCK END SWITCH (FROM DS)	CONTROL MODULE (LEFT FRONT SLIDE)(GROUND)	TTK 14 YEL	RIGHT TURNLAMP CIRCUIT BREAKER	RIGHT TURN LAMP RELAY
SSR 16 YEL	EXTERIOR HOLDING TANK SELECTOR SWITCH	EXTERIOR MONITOR PANEL	TTL 14 YEL	LEFT TURN LAMP CIRCUIT BREAKER	LEFT TURN LAMP RELAY
SSS 16 YEL	EXTERIOR HOLDING TANK SELECTOR SWITCH	2ND GALLEY HOLDING TANK	TTM 14 YEL	BACKUP LAMP CIRCUIT BREAKER	BACKUP LAMP RELAY

WIRE IDENTIFICATION CHART

CODE/COLOR	FROM:	TO:	CODE/COLOR	FROM:	TO:
TTN 14 YEL	PARK LAMP CIRCUIT BREAKER	PARK LAMP RELAY			
TTP 12 YEL	AWNING CONTROL BOX	PATIO AWNING #2 (MOTOR POSITIVE)			
TTR 12 WHT	AWNING CONTROL BOX	PATIO AWNING #2 (MOTOR GROUND)			
TTS 16 YEL	AWNING CONTROL BOX	PATIO AWNING #2 (SWITCH EXTEND)			
TTT 16 YEL	AWNING CONTROL BOX	PATIO AWNING #2 (SWITCH COMMON)			
TTU 16 YEL	AWNING CONTROL BOX	PATIO AWNING #2 (SWITCH RETRACT)			
TTV 16 YEL	AWNING CONTROL BOX	WIND SENSOR #2 (POSITIVE)			
TTW 16 YEL	AWNING CONTROL BOX	WIND SENSOR #2 (NEGATIVE)			
TTX 16 YEL	AWNING CONTROL BOX	WIND SENSOR #2 (SPEED OUTPUT)			
TTY 18 YEL	CHASSIS BATT DISCONNECT RELAY (TERMINAL I)	CHASSIS BATT DISCONNECT SWITCH			
TTZ 18 YEL	CHASSIS BATT DISCONNECT RELAY (TERMINAL S)	CHASSIS BATT DISCONNECT SWITCH			
UUA 18 YEL	CHASSIS BATT DISCONNECT RELAY LOAD SIDE FUSE FEED	CHASSIS BATT DISCONNECT SWITCH INDICATOR LAMP			
UUB 18 YEL	CHASSIS BATT DISCONNECT RELAY BATTERY SIDE FUSE FEED	CHASSIS BATT DISCONNECT SWITCH			
UUC 18 WHT	CHASSIS BATT DISCONNECT SWITCH	GROUND			
UUD 12 YEL	RIGHT REAR SLIDEOUT LOCK SWITCH	RIGHT REAR SLIDEOUT LOCK MOTOR			
UUE 12 YEL	RIGHT REAR SLIDEOUT LOCK SWITCH	RIGHT REAR SLIDEOUT LOCK MOTOR			