



DANGER

Danger of electrical shock, burns or death. Always remove all power sources before attempting any repair, service or diagnostic work. Power can be present from shore power, generator, inverter or battery. All power sources must be disabled and secured before performing any service.

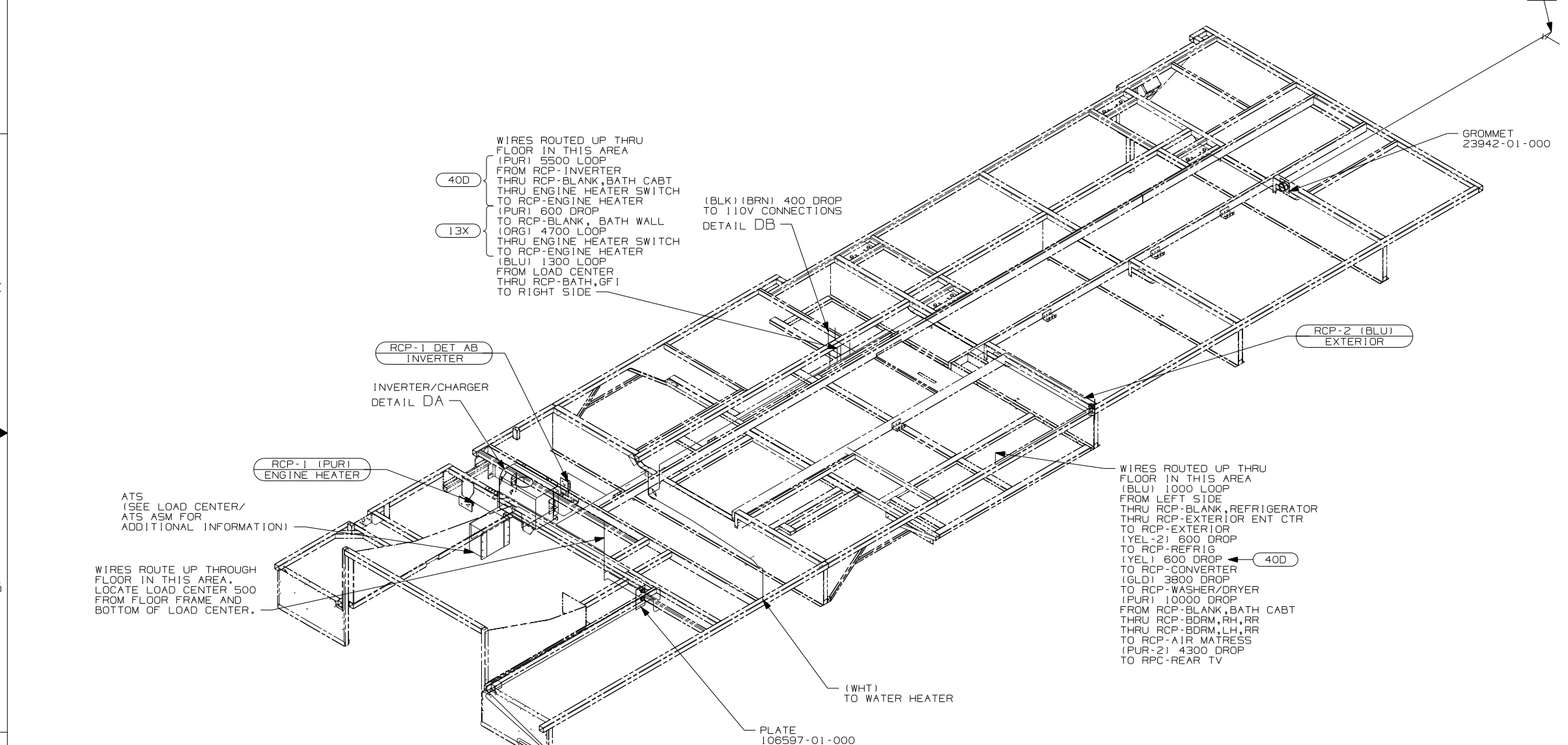


CAUTION

If you lack the skills, tools or equipment to perform diagnostic or repair work leave such work to an authorized Winnebago Industries dealer or other qualified shop.

DRAWING NO.	FEATURE
159302-01	-----
159302-12	(1B1) (78J)
159302-14	(1B1) (78J) (13X)
159302-16	(265) (78J)
159302-18	(265) (78J) (13X)

RELEASE	REV DATE	DWG NO
A		159302
REV ZONE	REVISION RECORD	DATE DFR-016

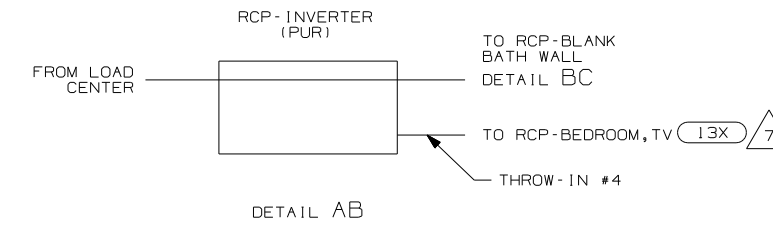


- (78J) ELECTRICAL SYSTEM-50 AMP
- (40D) INVERTER-DC/AC, 600 WATT
- (13X) INVERTER/CHARGER 2.0 KW
- (265) CODES/STANDARDS-CSA/CMVSS
- (1B1) CODES/STANDARDS USA

- 7 THROW IN #4 CONNECTS TO OUTPUT OF INVERTER WITH (40D)
- 6 SEE WIRING INSTALLATION-CHASSIS FOR ADDITIONAL INFORMATION.
- 5 SEE GENERATOR INSTALLATION FOR ADDITIONAL INFORMATION.
- 4 SEE EXT ENT CTR COMPT FOR ADDITIONAL INFORMATION.

3. WIRES THAT REST ON WIRE TRAYS ARE TO BE TIED DOWN WITH WIRE TIE 8343-02-000.
2. CLAMP TO FLOOR SUPPORT TUBES AS NECESSARY WITH CLAMP 10497-01-000.
1. ALL WIRES TO BE SECURED WITH CLAMP 10495 OR 10497 OR WIRE TIE 8343 OR 108046 EVERY 600MM, USE SCREW 667-XX-XXX OR 656-XX-XXX AS APPROPRIATE FOR INSTALLATION.

NOTES:



FOR ELECTRICAL TORQUE SPECIFICATIONS SEE DWG NO. 128783-01-000

FOR ELECTRICAL CALLOUTS SEE DWG NO. 121339-01-000

(1B1) (265) (78J)

WINNEBAGO COPYRIGHT 2006 WINNEBAGO INDUSTRIES, INC.

DFTR	ORIG. DATE
CHKR	ALL DIMENSIONS ARE IN MILLIMETERS
P.E.	FIRST USED
M.E.	07 P34H
DSNR	

UNSPECIFIED TOLERANCES ARE: MATERIAL:

HOLE DIM (X) : 3
ONE-PLACE (X, X) : 1.5
TWO-PLACE (X, XX) : 0.50
ANGLE : 1°

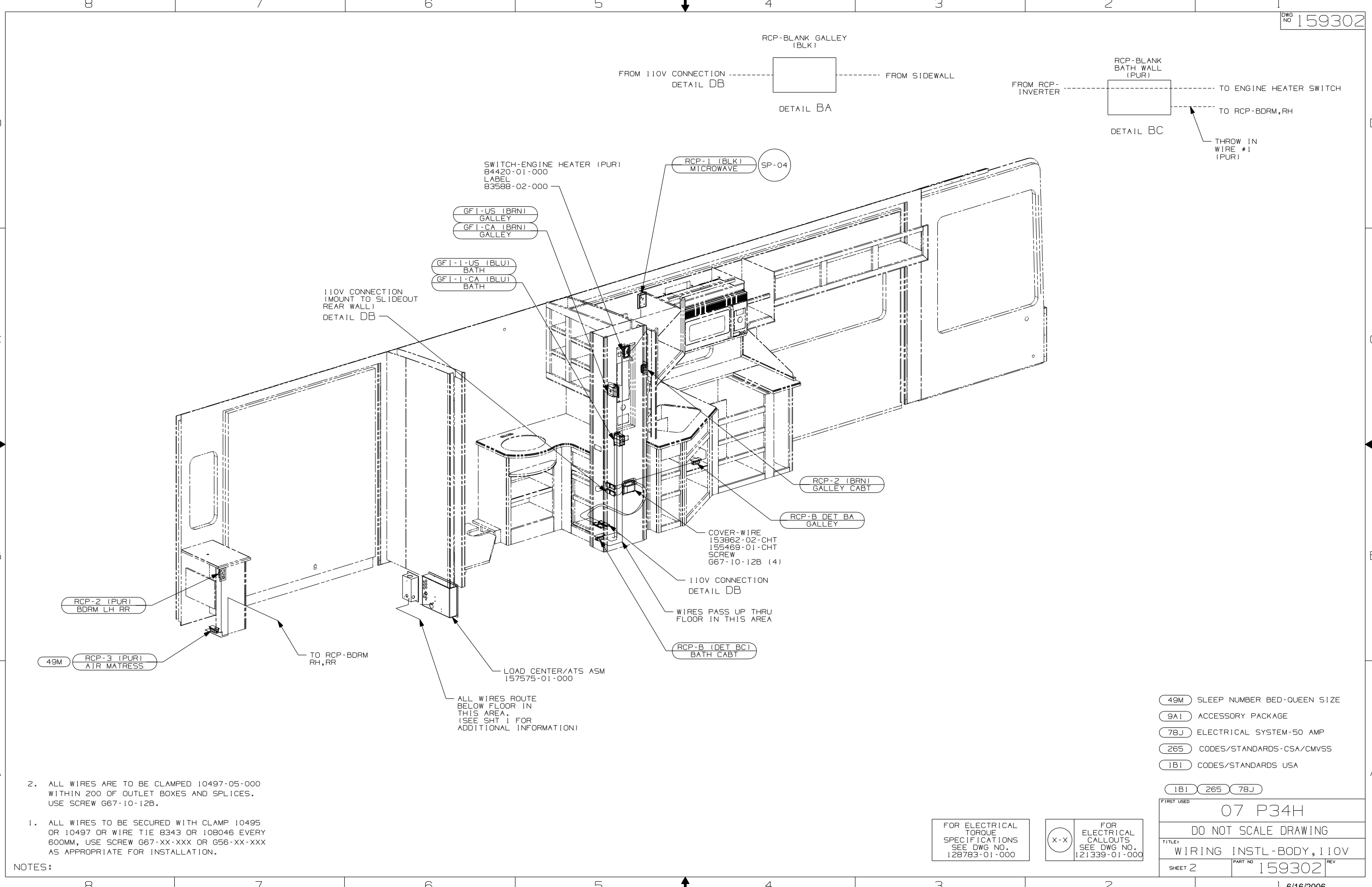
THIRD ANGLE PROJECTION

DO NOT SCALE DRAWING

TITLE: WIRING INSTL-BODY, 110V

SHEET 1 of 4 PART NO 159302 REV

REF: 1 6/16/2006



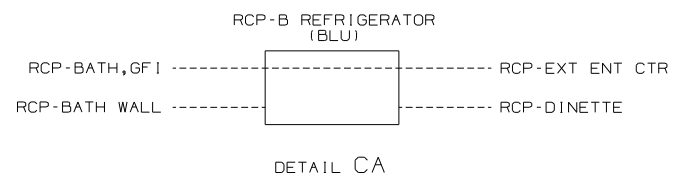
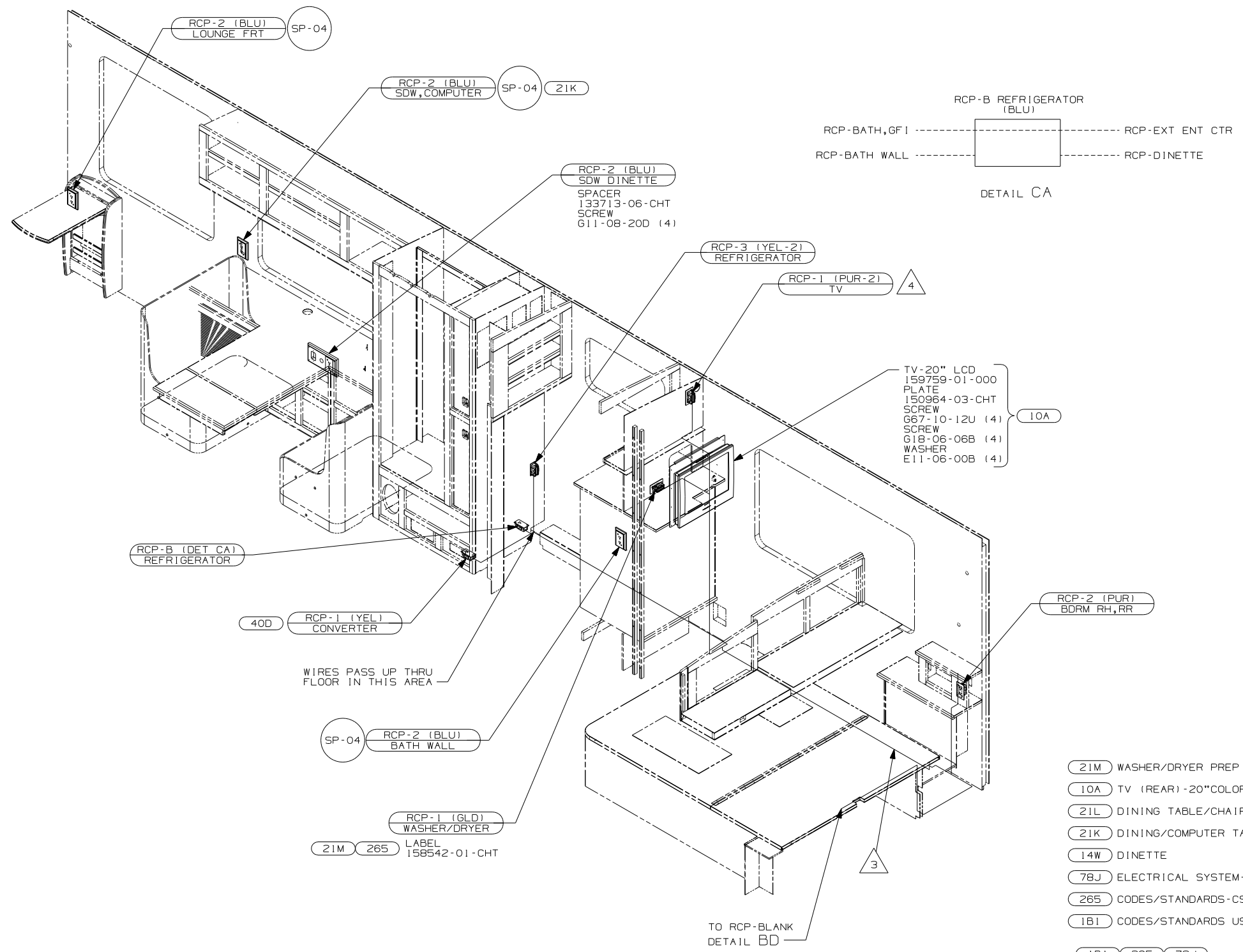
- NOTES:
- ALL WIRES TO BE CLAMPED 10497-05-000 WITHIN 200 OF OUTLET BOXES AND SPLICES. USE SCREW G67-10-12B.
 - ALL WIRES TO BE SECURED WITH CLAMP 10495 OR 10497 OR WIRE TIE 8343 OR 108046 EVERY 600MM, USE SCREW G67-XX-XXX OR G56-XX-XXX AS APPROPRIATE FOR INSTALLATION.

- (49M) SLEEP NUMBER BED-QUEEN SIZE
- (9A1) ACCESSORY PACKAGE
- (78J) ELECTRICAL SYSTEM-50 AMP
- (265) CODES/STANDARDS-CSA/CMVSS
- (1B1) CODES/STANDARDS USA

FIRST USED	
07 P34H	
DO NOT SCALE DRAWING	
TITLE:	
WIRING INSTL-BODY, 110V	
SHEET 2	PART NO 159302 REV

FOR ELECTRICAL TORQUE SPECIFICATIONS SEE DWG NO. 128783-01-000

FOR ELECTRICAL CALLOUTS SEE DWG NO. 121339-01-000



- TV-20" LCD 159759-01-000
- PLATE 150964-03-CHT
- SCREW G67-10-12U (4)
- SCREW G18-06-06B (4)
- WASHER E11-06-00B (4)

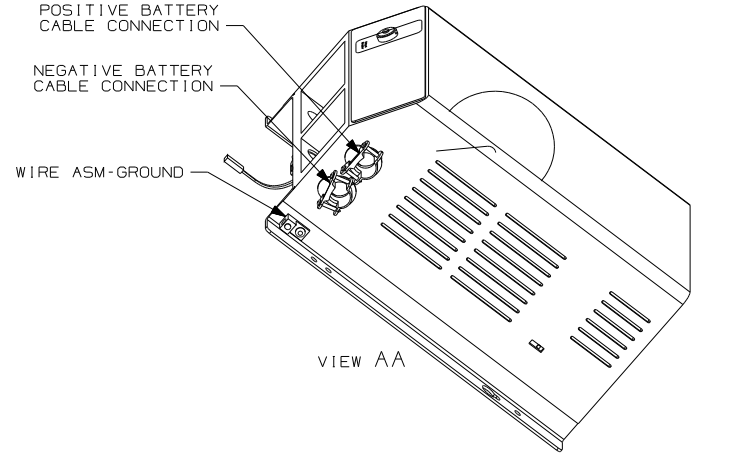
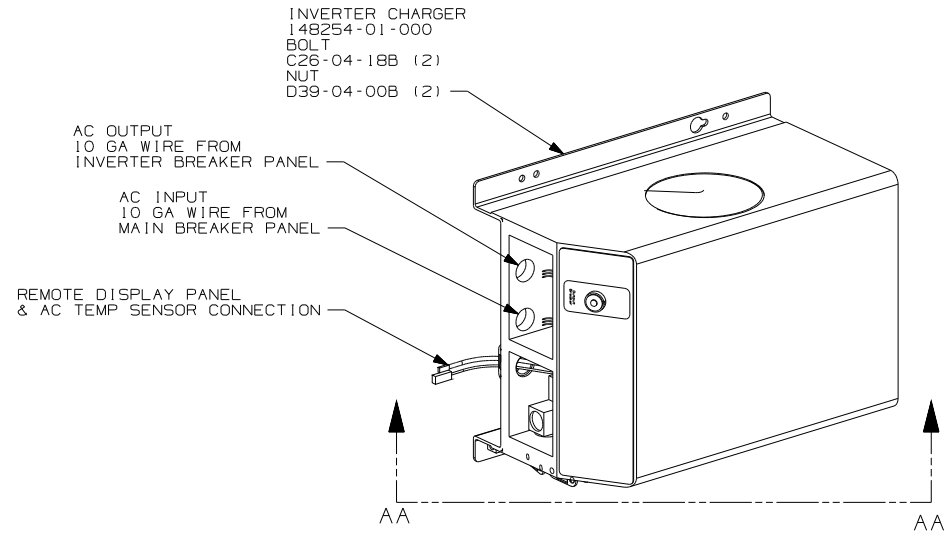
- (21M) WASHER/DRYER PREP
- (10A) TV (REAR) -20"COLOR, STEREO
- (21L) DINING TABLE/CHAIRS
- (21K) DINING/COMPUTER TABLE/CHAIRS
- (14W) DINETTE
- (78J) ELECTRICAL SYSTEM-50 AMP
- (265) CODES/STANDARDS-CSA/CMVSS
- (1B1) CODES/STANDARDS USA

- 4 CONNECT PUR FROM ROOF IN THIS RCP.
- 3 ROUTE WIRES IN THE FLOOR DURING INSTALLATION
- 2. ALL WIRES ARE TO BE CLAMPED 10497-05-000 WITHIN 200 OF OUTLET BOXES AND SPLICES. USE SCREW G67-10-12B.
- 1. ALL WIRES TO BE SECURED WITH CLAMP 10495 OR 10497 OR WIRE TIE 8343 OR 108046 EVERY 600MM, USE SCREW G67-XX-XXX OR G56-XX-XXX AS APPROPRIATE FOR INSTALLATION.

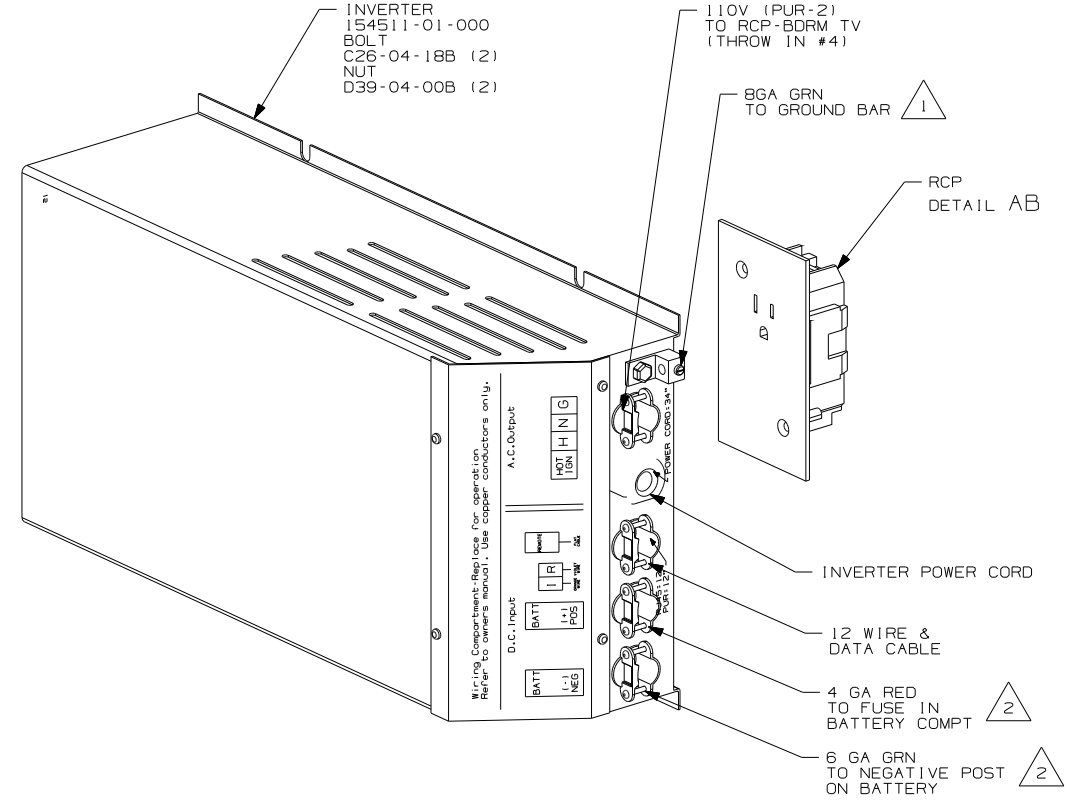
FOR ELECTRICAL TORQUE SPECIFICATIONS SEE DWG NO. 128783-01-000

FOR ELECTRICAL CALLOUTS SEE DWG NO. 121339-01-000

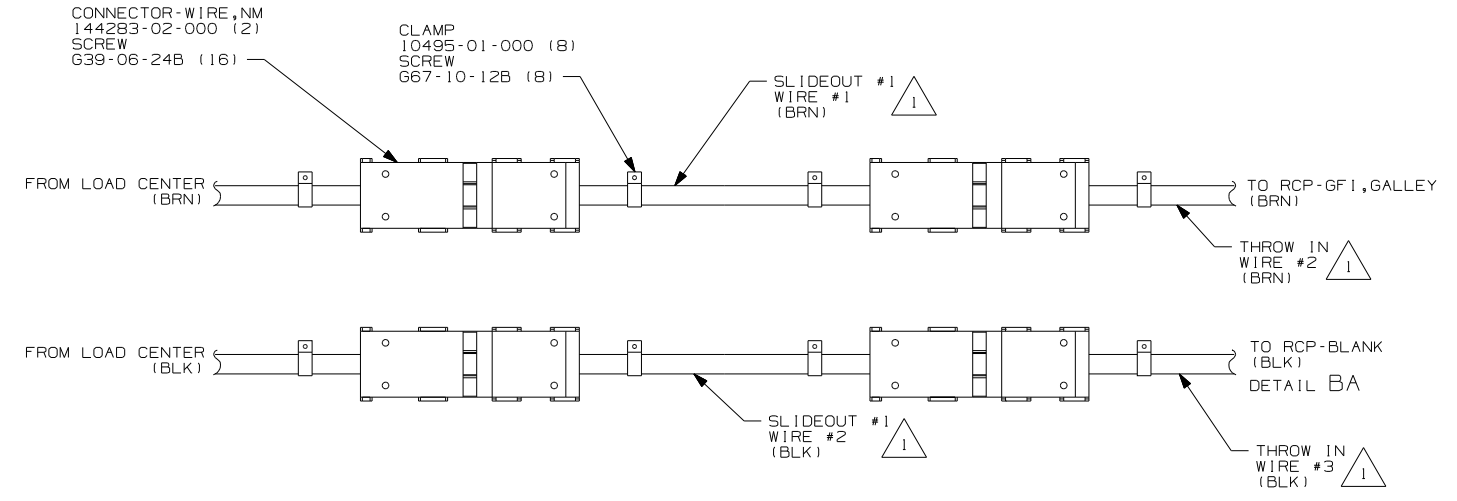
FIRST USED		07 P34H	
DO NOT SCALE DRAWING			
TITLE: WIRING INSTL-BODY, 110V			
SHEET 3	PART NO	159302	



DETAIL DA 13X



DETAIL DA 40D



DETAIL DB

265 CODES/STANDARDS CSA/CMVSS
1B1 CODES/STANDARDS USA

1B1 265	
FIRST USED 07 P34H	
DO NOT SCALE DRAWING	
TITLE: WIRING INSTL-BODY, 110V	
SHEET 4	PART NO 159302 REV

2 SEE WIRING INSTL-CHASSIS FOR ADDITIONAL INFORMATION.
1 SEE LOAD CENTER/ATS ASM FOR ADDITIONAL INFORMATION.

FOR ELECTRICAL
TORQUE
SPECIFICATIONS
SEE DWG NO.
128783-01-000

X-X FOR
ELECTRICAL
CALLOUTS
SEE DWG NO.
121339-01-000