



DANGER

Danger of electrical shock, burns or death. Always remove all power sources before attempting any repair, service or diagnostic work. Power can be present from shore power, generator, inverter or battery. All power sources must be disabled and secured before performing any service.

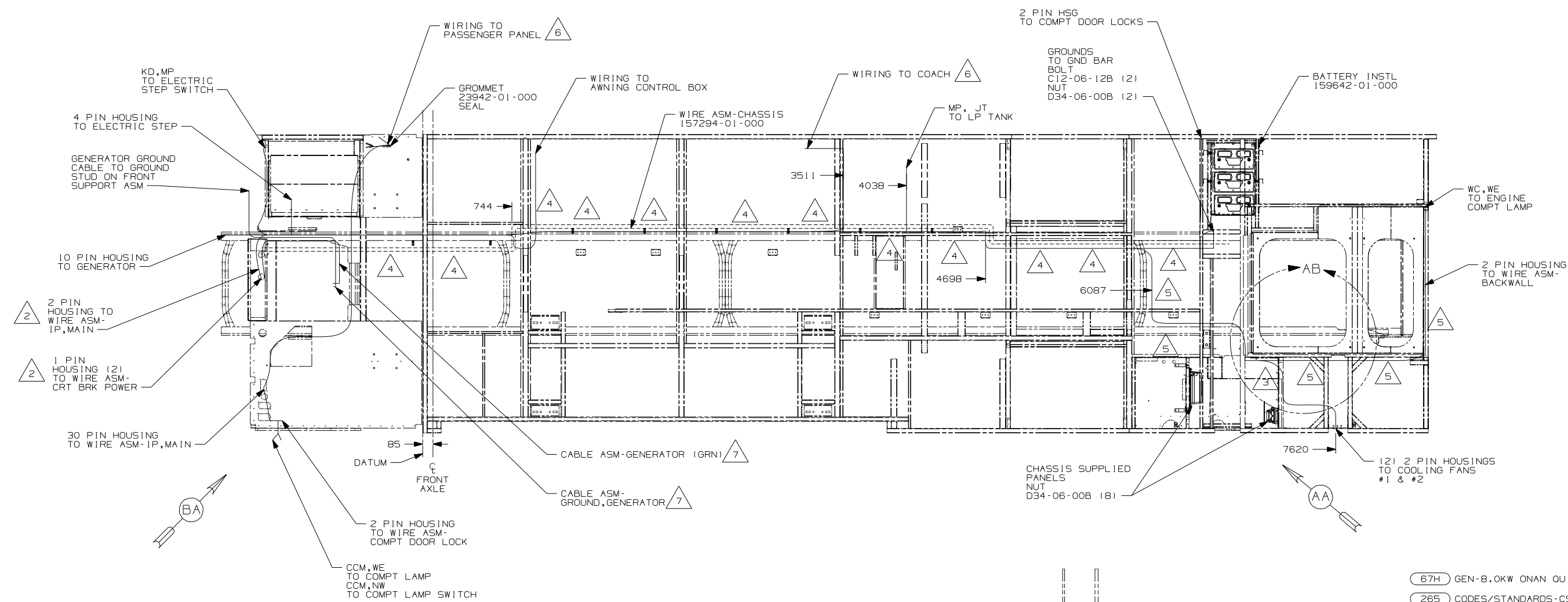


CAUTION

If you lack the skills, tools or equipment to perform diagnostic or repair work leave such work to an authorized Winnebago Industries dealer or other qualified shop.

D
C
B
A

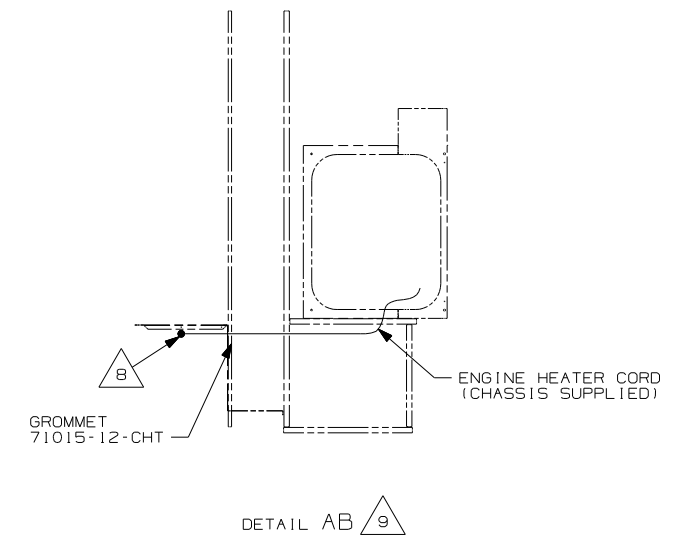
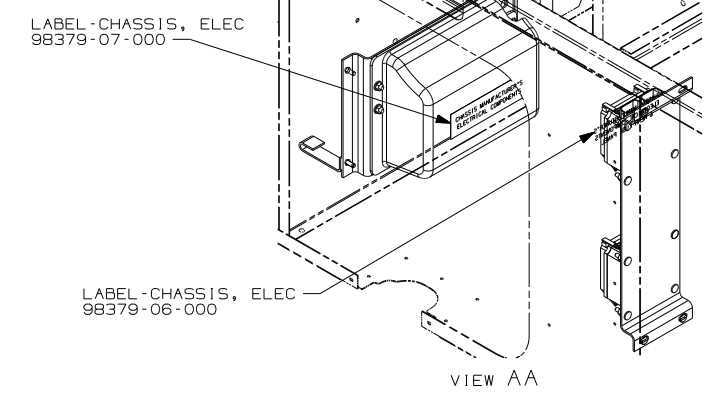
D
C
B
A



- 9 SECURE CORD AWAY FROM ALL MOVING PARTS AND EXHAUST WITH WIRE TIE 93147-01-000 AS REQUIRED
- 8 ENGINE HEATER CORD MUST PASS THRU COMPT AT LEAST 250MM TO PLUG INTO RECP.
- 7 SEE BATTERY INSTL. FOR ADDITIONAL INFORMATION
- 6 SEE WIRING ASM-CHASSIS FOR ADDITIONAL INFORMATION.
- 5 CLAMP 10497-03-000, SCREW G39-08-12B
- 4 CLAMP 83610-01-000, SCREW G11-10-16B
- 3 USE WIRE-TIE 8343-02-000 TO SECURE WIRES TO FLOOR SUPPORT FRAME AT LEAST ONCE EVERY 600MM.
- 2 SEE WIRING INSTL-FRONT END FOR ADDITIONAL INFORMATION.

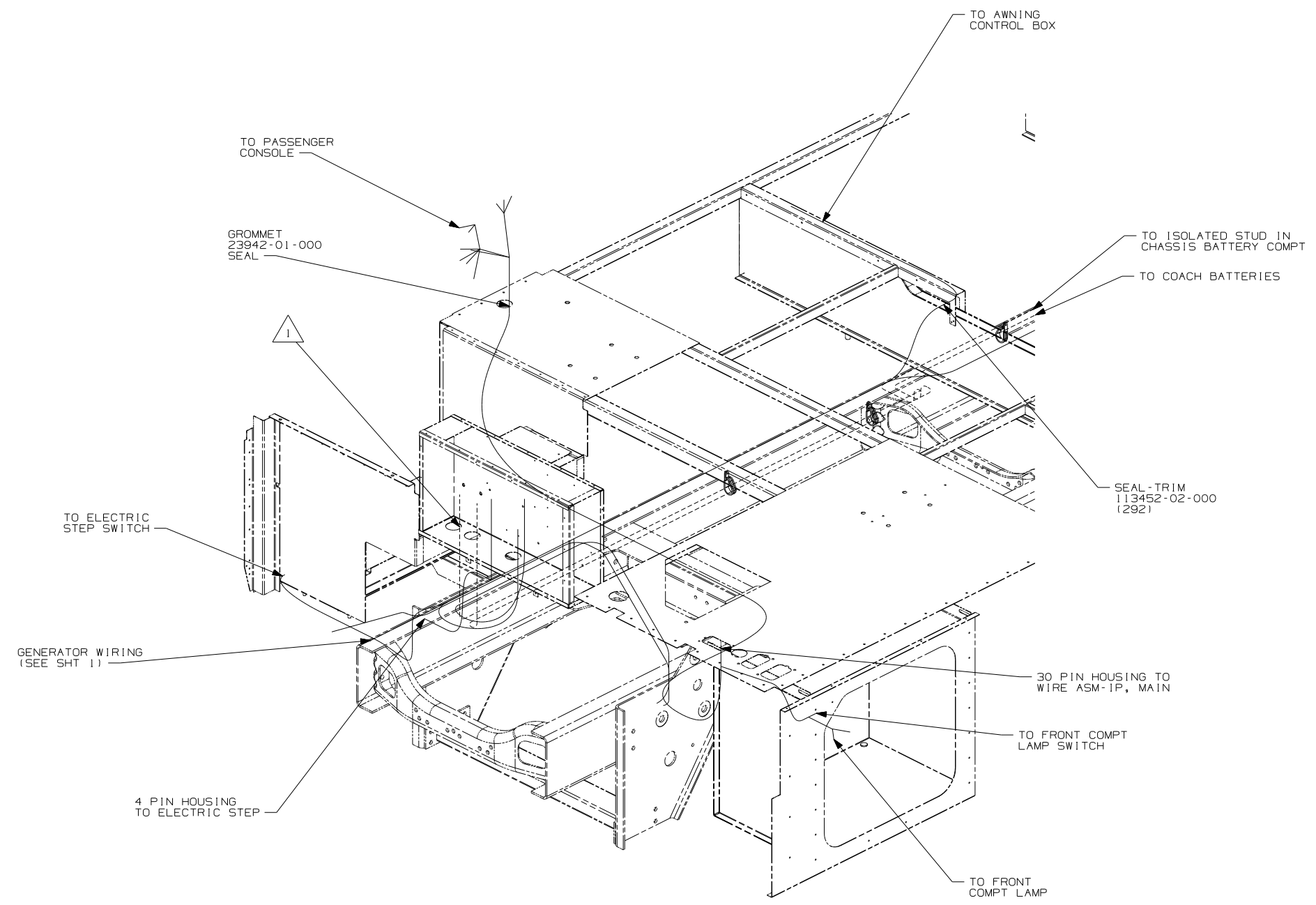
1. LEGEND: — WINNEBAGO; - - - - - CABLE; - - - - - CHASSIS SUPPLIED WIRING.

NOTES:



67H GEN-8.0KW ONAN QUIET DIESEL
 265 CODES/STANDARDS-CSA/CMVSS
 1B1 CODES/STANDARDS USA
 1B1 265

WINNEBAGO		COPYRIGHT 2006 WINNEBAGO INDUSTRIES, INC.	
DFTR	ORIG. DATE		
CHKR	ALL DIMENSIONS ARE IN MILLIMETERS		
P.E.			
M.E.	FIRST USED		
DSNR	07 P34H		
UNSPECIFIED TOLERANCES ARE:		MATERIAL:	
WHOLE DIM (X)	: 3		
ONE-PLACE (X.X)	: 1.5		
TWO-PLACE (X.XX)	: 0.50		
ANGLE	: 1°		
THIRD ANGLE PROJECTION			
DO NOT SCALE DRAWING			
TITLE: WIRING INSTL-CHASSIS			
SHEET 1 OF 2	PART NO	159300	REV
REF:		1 6/19/2006	



VIEW BA

- (265) CODES/STANDARDS-CSA/CMVSS
- (1B1) CODES/STANDARDS USA
- (1B1) (265)

FIRST USED	07 P34H	
TITLE	DO NOT SCALE DRAWING	
	WIRING INSTL-CHASSIS	
SHEET 2	PART NO 159300	REV

NOTES:

1 SEE WIRING INSTL-FRONT END FOR ADDITIONAL INFORMATION.