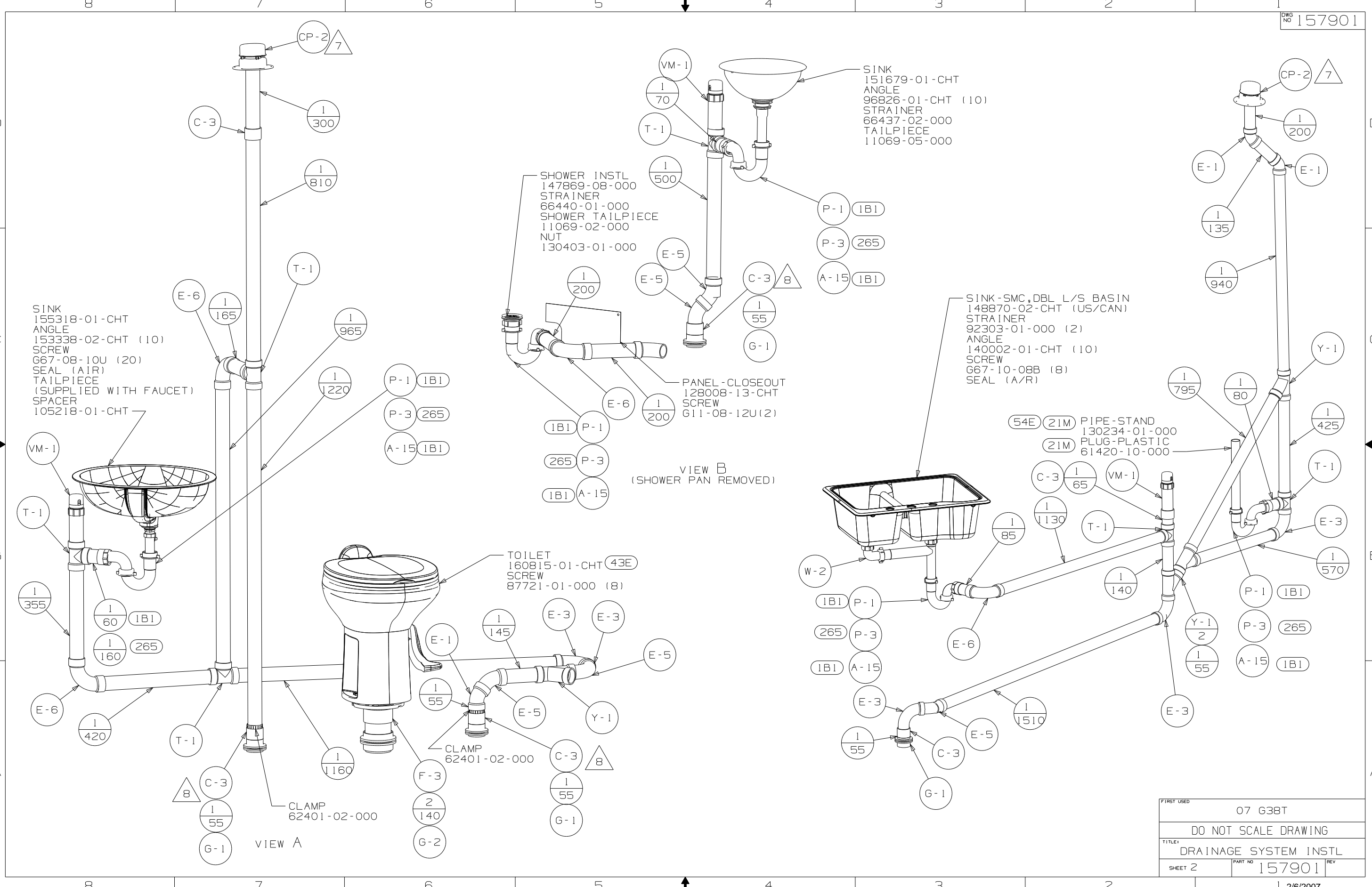


- (265) CODES/STANDARDS - CSA/CMVSS
- (1B1) CODES/STANDARDS - USA
- (43E) TOILET - PORCELAIN, ROUND
- (21M) WASHER/DRYER PREP
- (54E) WASHER/DRYER

- NOTES:
1. SLOPE OF HORIZONTAL PIPING TO BE 6 PER 305 mm.
 2. SLOPE OF TRAP ARM MUST BE 6 PER 305 mm.
 3. ALL PIPE AND FITTINGS TO BE ASSEMBLED WITH SOLVENT 4020-01-000 (US), 4020-02-000 (CAN).
 4. ALL EXTERIOR OPENINGS AROUND PIPE TO BE SEALED WITH 100744-01-000.
 5. SEAL AROUND SHOWER WITH SILICONE.
 6. ROF CANADIAN UNITS EACH HOLDING TANK SHALL HAVE A CSA APPROVAL STAMPED NEAR THE IAMPO APPROVAL.
 7. VENT PIPE MUST PROJECT 51 MIN AND 64 MAX ABOVE ROOF FOR PROPER FIT AND FUNCTION.
 8. SECURE VENT TUBES TO FLOOR WITH BRACKET 136878-01-CHT (3) CLAMP 62401-02-000 (3), SCREW G67-10-12B (3).

FOR DRAINAGE CALLOUTS SEE DWG NO. 116229-01-000

WINNEBAGO		COPYRIGHT 2007 WINNEBAGO INDUSTRIES, INC.	
DFTR	ORIG. DATE	ALL DIMENSIONS ARE IN MILLIMETERS	
CHKR		07 G38T	
P.E.		UNSPECIFIED TOLERANCES ARE:	
M.E.	FIRST USED	WHOLE DIM (X)	: 3
DSNR		ONE-PLACE (X.X)	:
		TWO-PLACE (X.XX)	:
		ANGLE	:
THIRD ANGLE PROJECTION		MATERIAL:	
DO NOT SCALE DRAWING			
TITLE: DRAINAGE SYSTEM INSTL			
SHEET 1 OF 3	PART NO	157901	REV
		1 2/6/2007	



SINK
155318-01-CHT
ANGLE
153338-02-CHT (10)
SCREW
G67-08-10U (20)
SEAL (AIR)
TAILPIECE
(SUPPLIED WITH FAUCET)
SPACER
105218-01-CHT

SHOWER INSTL
147869-08-000
STRAINER
66440-01-000
SHOWER TAILPIECE
11069-02-000
NUT
130403-01-000

SINK
151679-01-CHT
ANGLE
96826-01-CHT (10)
STRAINER
66437-02-000
TAILPIECE
11069-05-000

SINK-SMC, DBL L/S BASIN
148870-02-CHT (US/CAN)
STRAINER
92303-01-000 (2)
ANGLE
140002-01-CHT (10)
SCREW
G67-10-08B (8)
SEAL (A/R)

TOILET
160815-01-CHT (43E)
SCREW
87721-01-000 (8)

CLAMP
62401-02-000

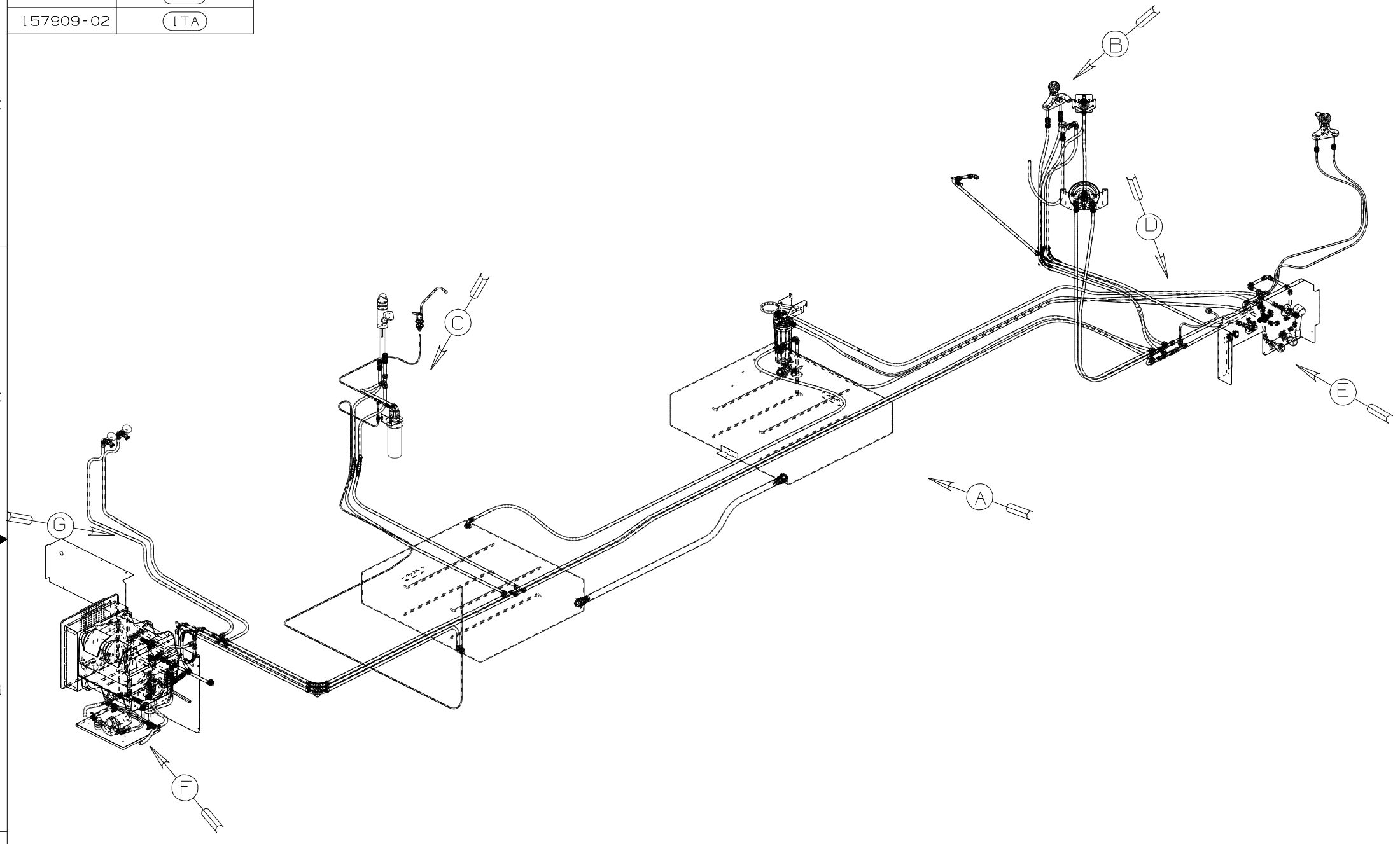
VIEW A

VIEW B
(SHOWER PAN REMOVED)

FIRST USED	07 G38T		
TITLE	DO NOT SCALE DRAWING		
	DRAINAGE SYSTEM INSTL		
SHEET 2	PART NO	157901	REV

DWG NO	----
157909-01	(WIN)
157909-02	(ITA)

RELEASE	REV DATE	DWG NO
A		157909
REV ZONE	REVISION RECORD	DATE
		DFTR-ORIG



- (WIN) WINNEBAGO ONLY
- (ITA) ITASCA ONLY
- (9B1) SHOWER PACKAGE
- (43H) SHOWER HEAD-HAND HELD
- (43A) SHOWER HEAD-FIXED
- (29B) WATER PURIFIER
- (15U) REFRIGERATOR/FRZR W/ICEMAKER
- (1B2) WTR HTR-10 GAL/ELEC/LP/MTR/ID
- (43W) CABINET-LAVATORY

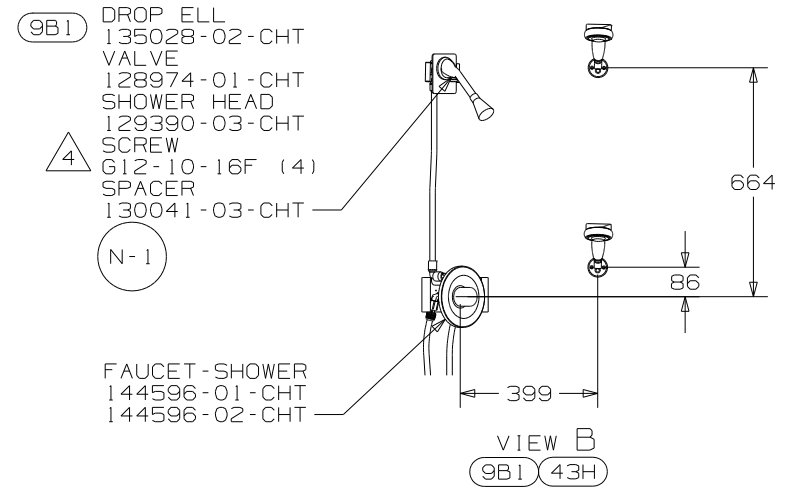
- 7 ADD PIPE WRAP (LADDER SCRAP) OR 110157-02-000 (2) INSULATION HERE.
- 6 ADD TEFLON TAPE 10405-01-000.
- 5 ADD TEFLON TAPE 10405-02-000.
- 4 USED IN PLACE OF SUPPLIED SCREWS TO ATTACHED BRACKET TO WALL.

- 3. ALL TUBING TO BE SECURED AT 1200 INTERVALS MAXIMUM WITH CLAMP 10495-01-000 OR CLIP 9151-01-000 AND SCREW G67-10-12B.
- 2. TUBING TO BE INSTALLED WITH SUFFICIENT SLOPE TO PROVIDE DRAINAGE TO NEAREST VALVE.
- 1. PLASTIC FITTINGS TO BE SEALED WITH SEALANT 84456-01-000.

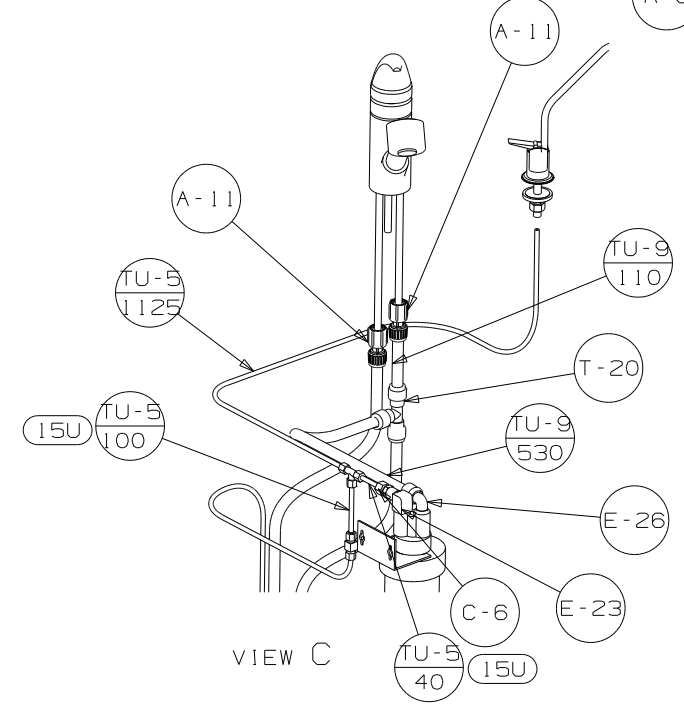
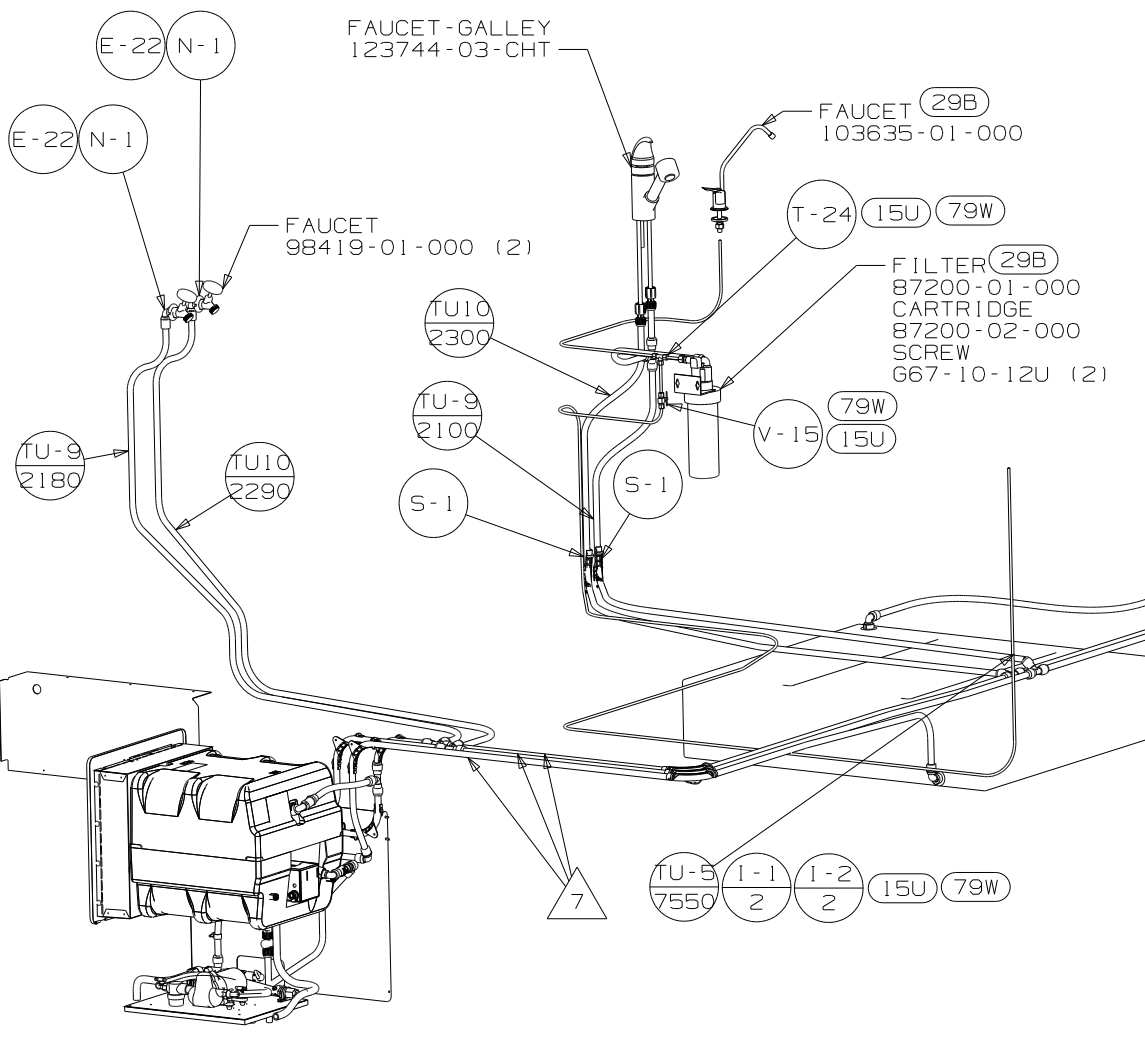
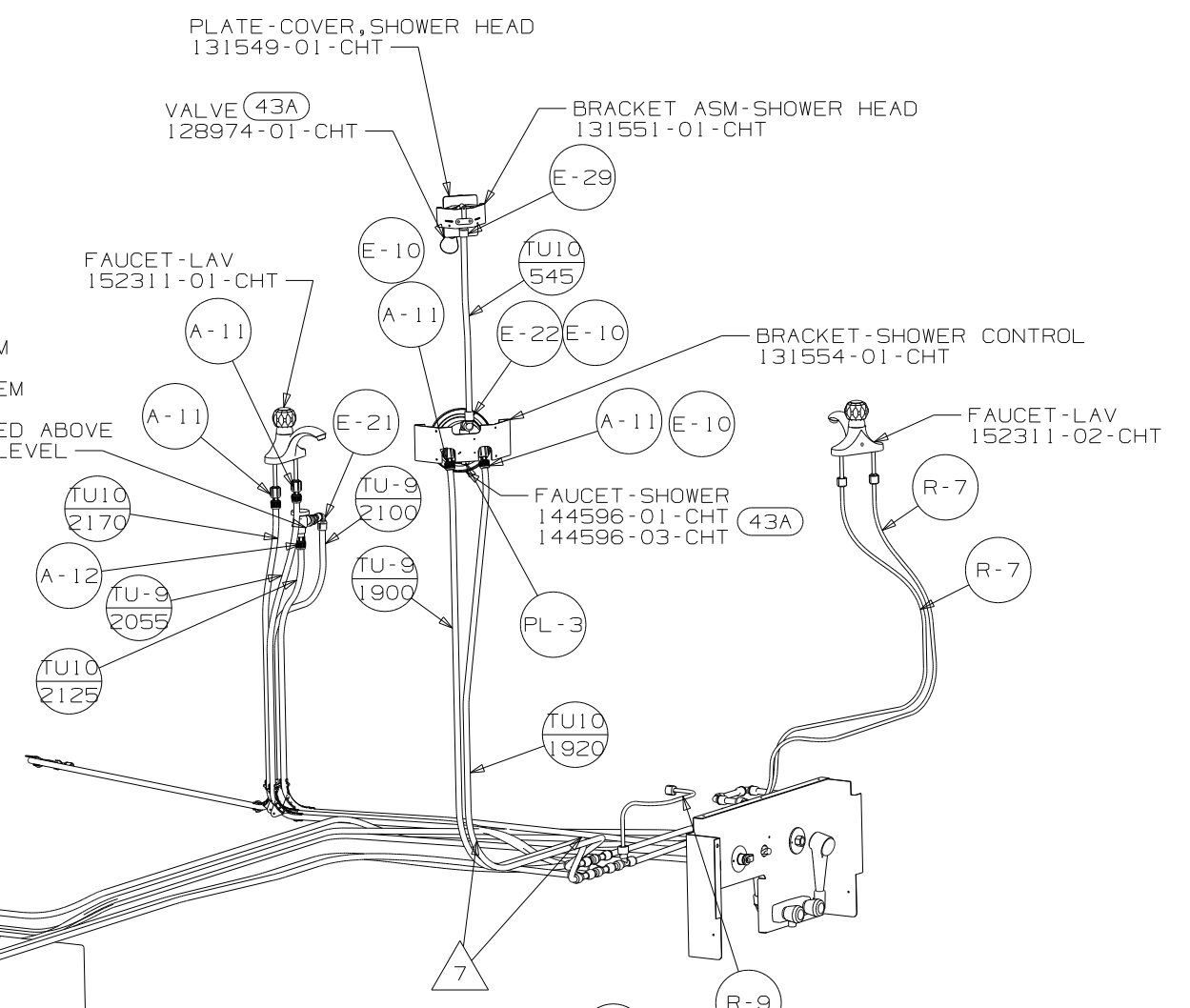
NOTES:

(X-X)
FOR
WATER
CALLOUTS
SEE DWG NO
116230-01-000

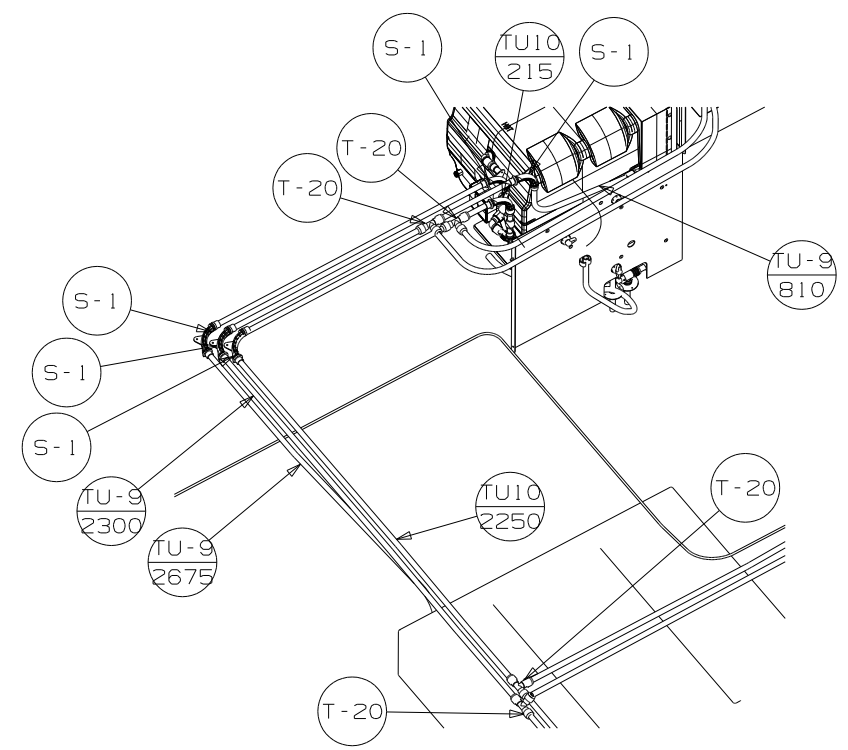
WINNEBAGO		COPYRIGHT 2007 WINNEBAGO INDUSTRIES, INC.	
DFTR	ORIG. DATE	ALL DIMENSIONS ARE IN MILLIMETERS	
CHKR		FIRST USED	
P.E.		07 G38T	
M.E.		UNSPECIFIED TOLERANCES ARE:	
DSNR		MATERIAL:	
		WHOLE DIM (X)	: 7
		ONE-PLACE (X.X)	: 1.5
		TWO-PLACE (X.XX)	: 0.50
		ANGLE	: 1°
THIRD ANGLE PROJECTION		DO NOT SCALE DRAWING	
TITLE: WATER SYSTEM INSTL			
SHEET 1 OF 4	PART NO	157909	REV
REF:	1 2/19/2007		



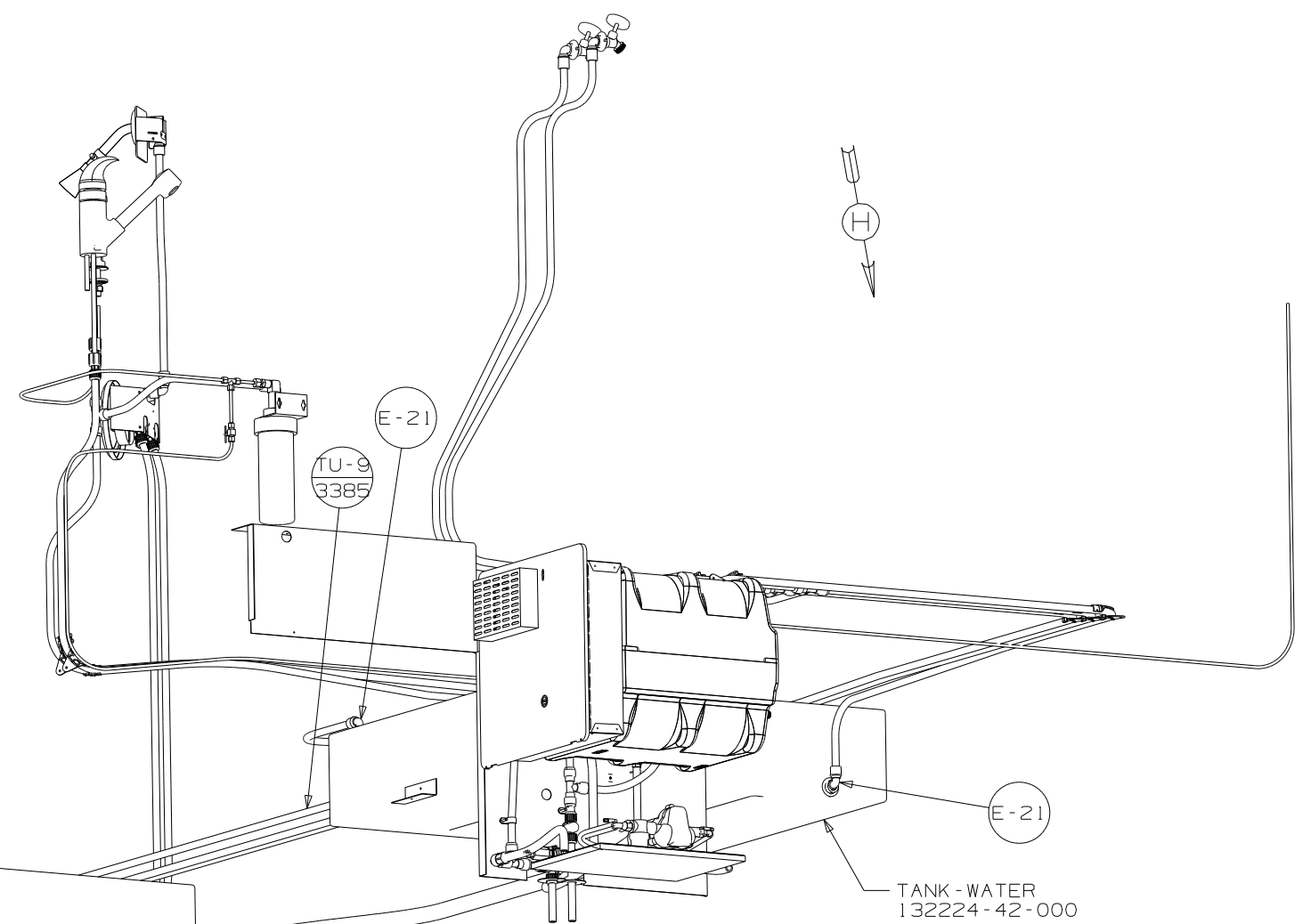
BREAKER-VACUUM
125697-04-000
FLUSHING SYSTEM
125697-03-000
MUST BE MOUNTED ABOVE
TOILET FLOOD LEVEL



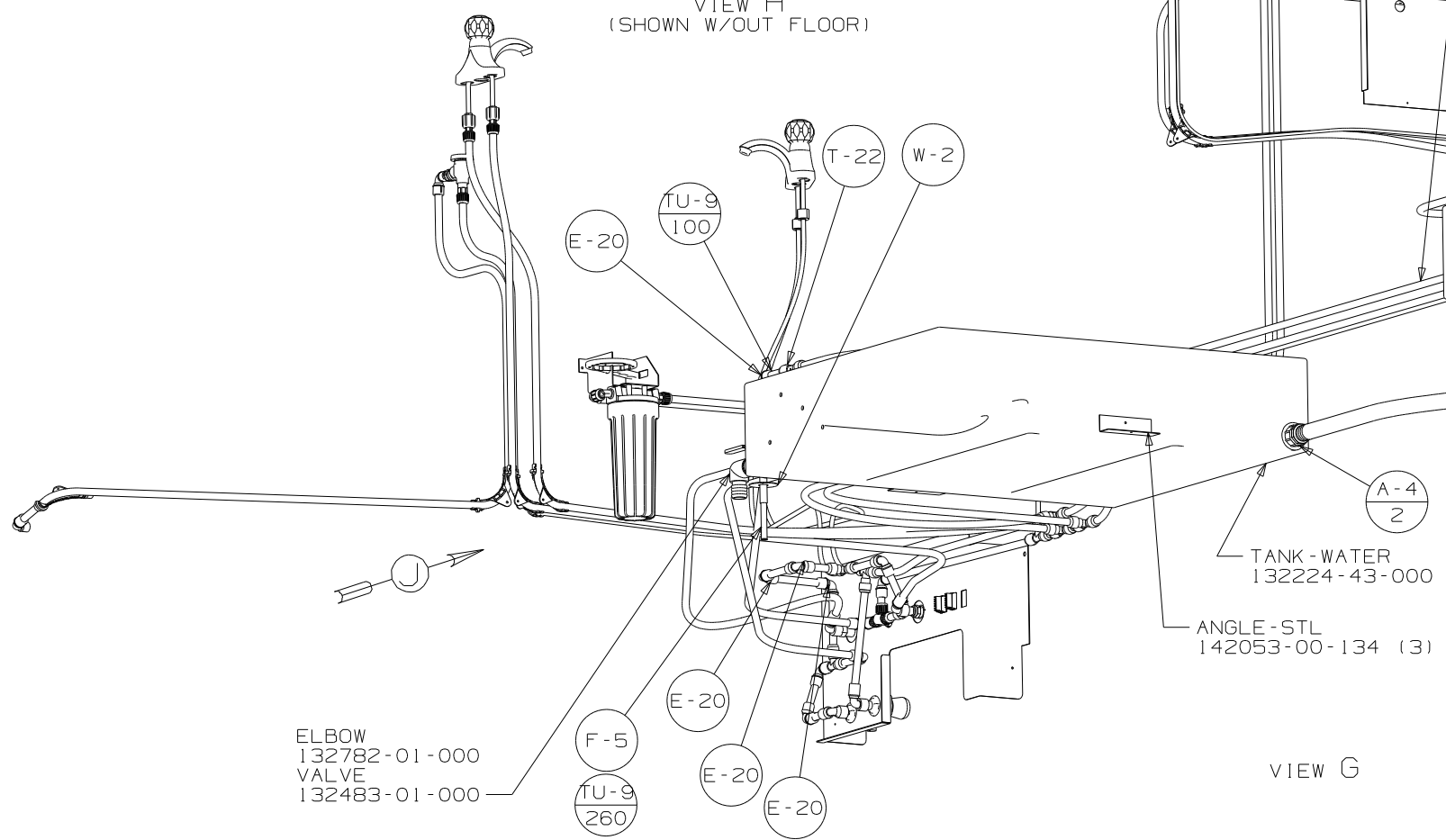
FIRST USED	07 G38T		
TITLE	DO NOT SCALE DRAWING		
TITLE	WATER SYSTEM INSTL		
SHEET 2	PART NO	157909	REV



VIEW H
(SHOWN W/OUT FLOOR)



TANK - WATER
132224-42-000



TANK - WATER
132224-43-000

ANGLE - STL
142053-00-134 (3)

ELBOW
132782-01-000
VALVE
132483-01-000

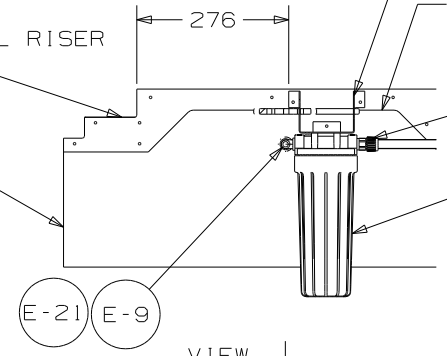
CHANNEL - MOUNT
155893-02-CHT

U-CHANNEL RISER
REF

RISER
REF

WRENCH-FILTER, REF

FILTER ASM-WATER
155482-01-CHT



VIEW J

FIRST USED	07 G38T
TITLE:	DO NOT SCALE DRAWING
	WATER SYSTEM INSTL
SHEET 4	PART NO 157909 REV