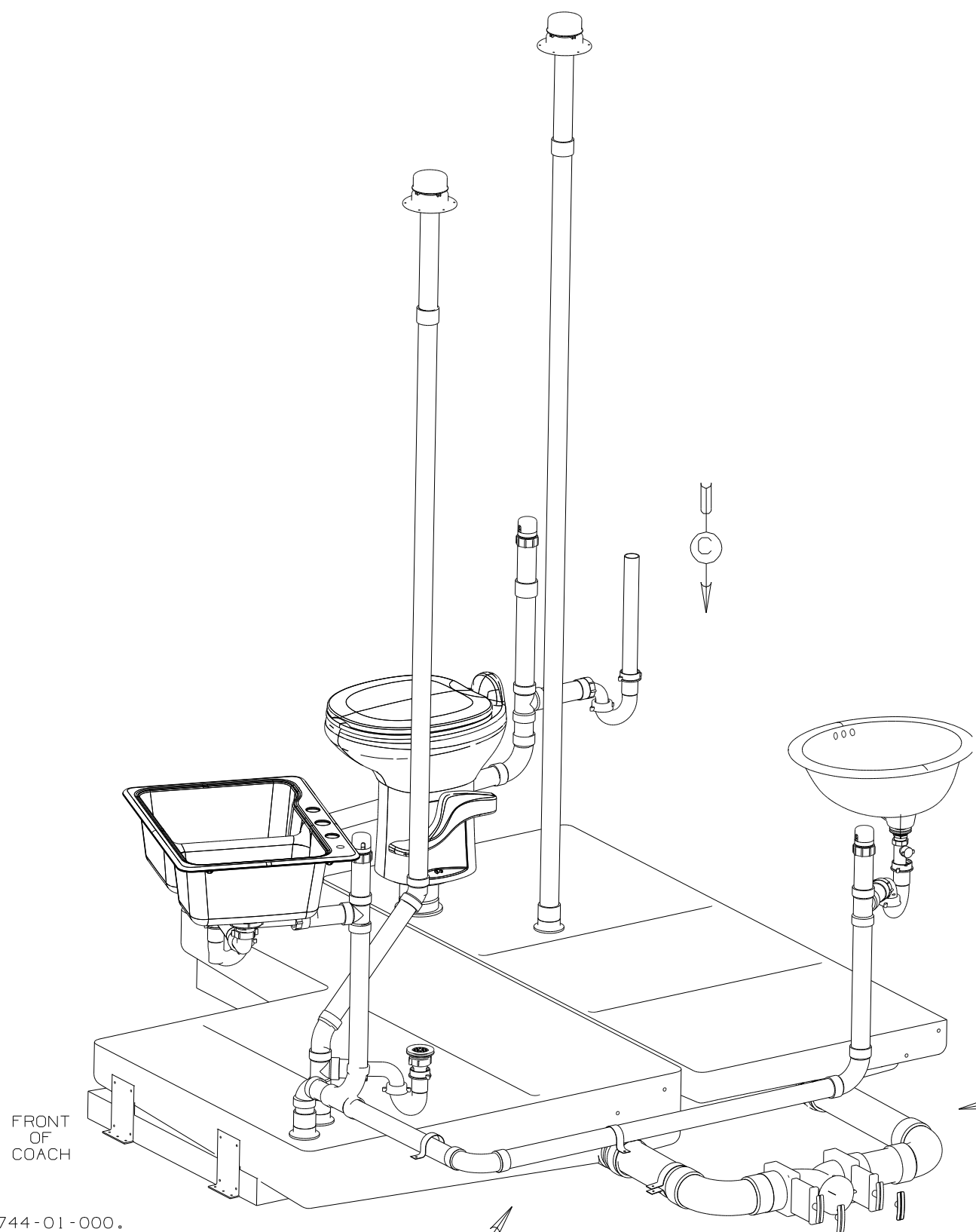


DWG NO	--
156259-01	(WIN)
156259-02	(ITA)

RELEASE	REV DATE	DWG NO
A		156259
REV ZONE	REVISION RECORD	DATE
		DFTR-0R16

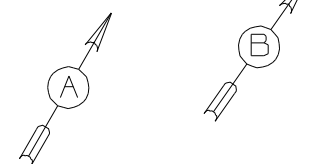


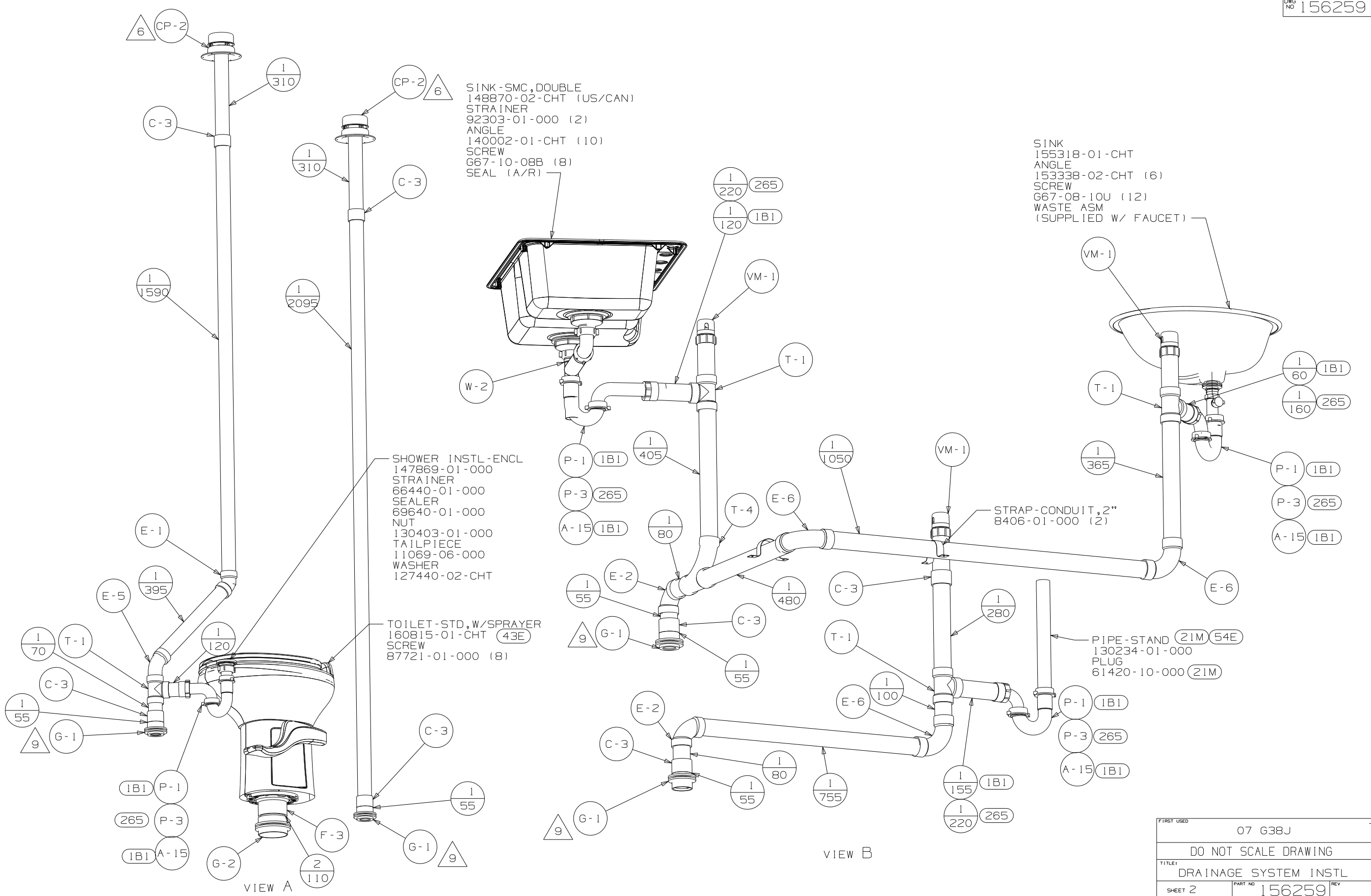
- NOTES:
9. SECURE PIPES TO FLOOR USING BRACKET 136878-01-CHT (3) CLAMP 62401-02-000 (3) AND SCREW G67-10-12B (3).
 8. SECURE PIPES TO CABINET USING WIRE TIE 108046-02-000 AND SCREW G67-10-12U (8).
 7. SEE DWG 61607-01-000 FOR INSTL OF GROMMET.
 6. VENT PIPE MUST PROJECT 51 MIN AND 64 MAX ABOVE ROOF FOR PROPER FIT AND FUNCTION.
 5. SEAL AROUND SHOWER WITH SILICONE.
 4. ALL EXTERIOR OPENINGS AROUND PIPE TO BE SEALED WITH 110744-01-000.
 3. ALL PIPE AND FITTINGS TO BE ASSEMBLED WITH SOLVENT 4020-01-000.
 2. SLOPE OF TRAP ARM MUST BE 6 PER 305 mm.
 1. SLOPE OF HORIZONTAL PIPING TO BE MIN 3 PER 305 mm.

- (43E) TOILET - PORCELAIN, ROUND
- (WIN) WINNEBAGO ONLY
- (ITA) ITASCA ONLY
- (IB1) CODES/STANDARDS USA
- (265) CODES/STDS-CSA/CMVSS

WINNEBAGO		COPYRIGHT 2007 WINNEBAGO INDUSTRIES, INC.	
DFTR	ORIG. DATE	ALL DIMENSIONS ARE IN MILLIMETERS	
CHKR		FIRST USED	
P.E.		07 G38J	
M.E.		UNSPECIFIED TOLERANCES ARE:	
DSNR		MATERIAL:	
		WHOLE DIM (X) :	5
		ONE-PLACE (X.X) :	
		TWO-PLACE (X.XX) :	
		ANGLE :	
THIRD ANGLE PROJECTION			
DO NOT SCALE DRAWING			
TITLE: DRAINAGE SYSTEM INSTL			
SHEET 1 OF 3	PART NO	156259	REV
REF:	1 2/7/2007		

(X-X)
FOR
DRAINAGE
CALLOUTS
SEE DWG NO
116229-01-000

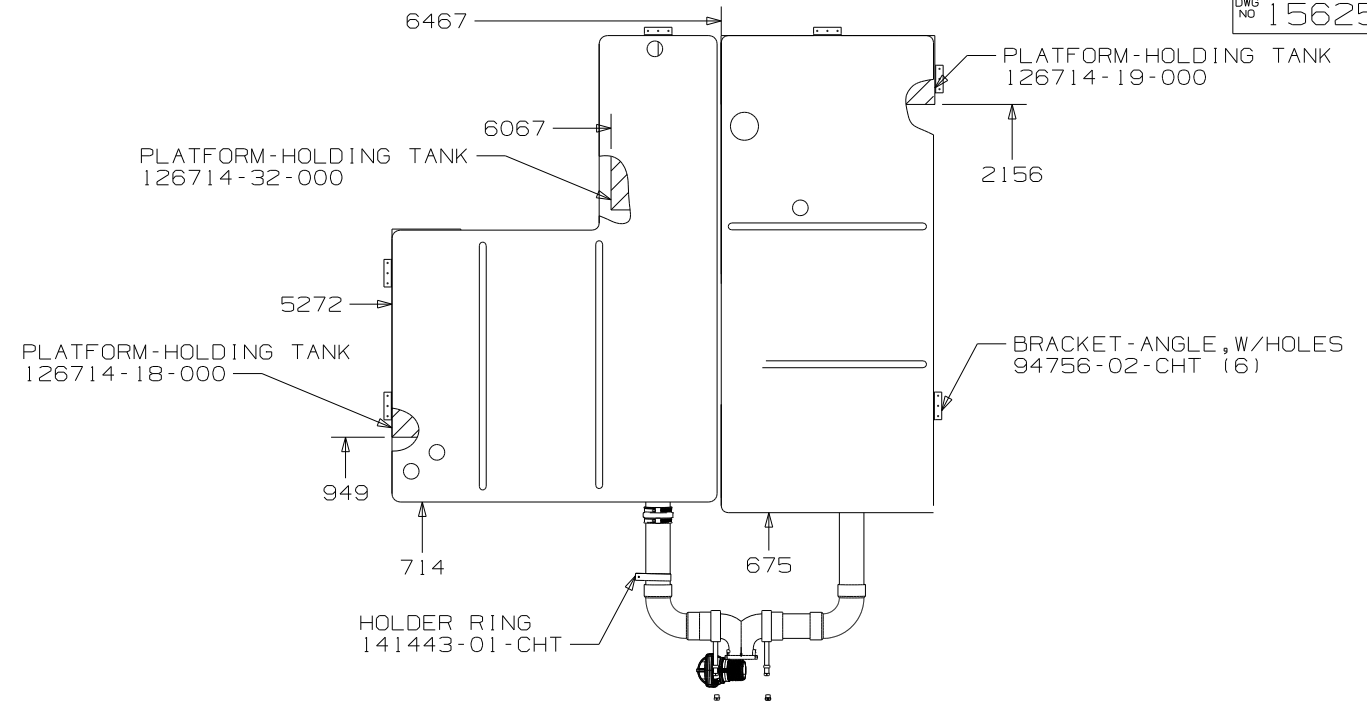
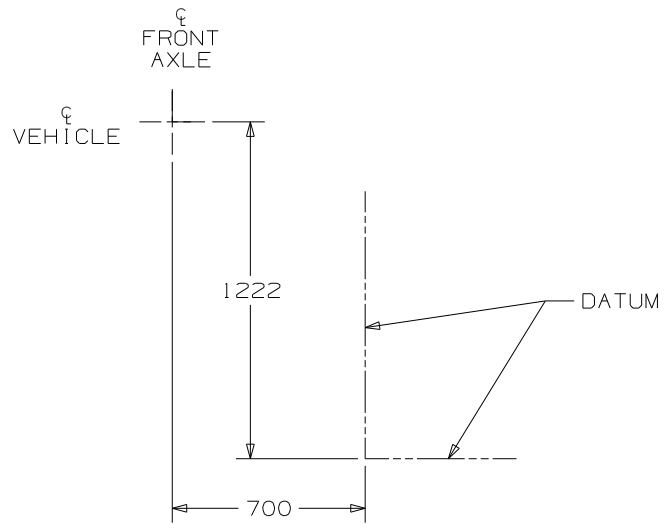




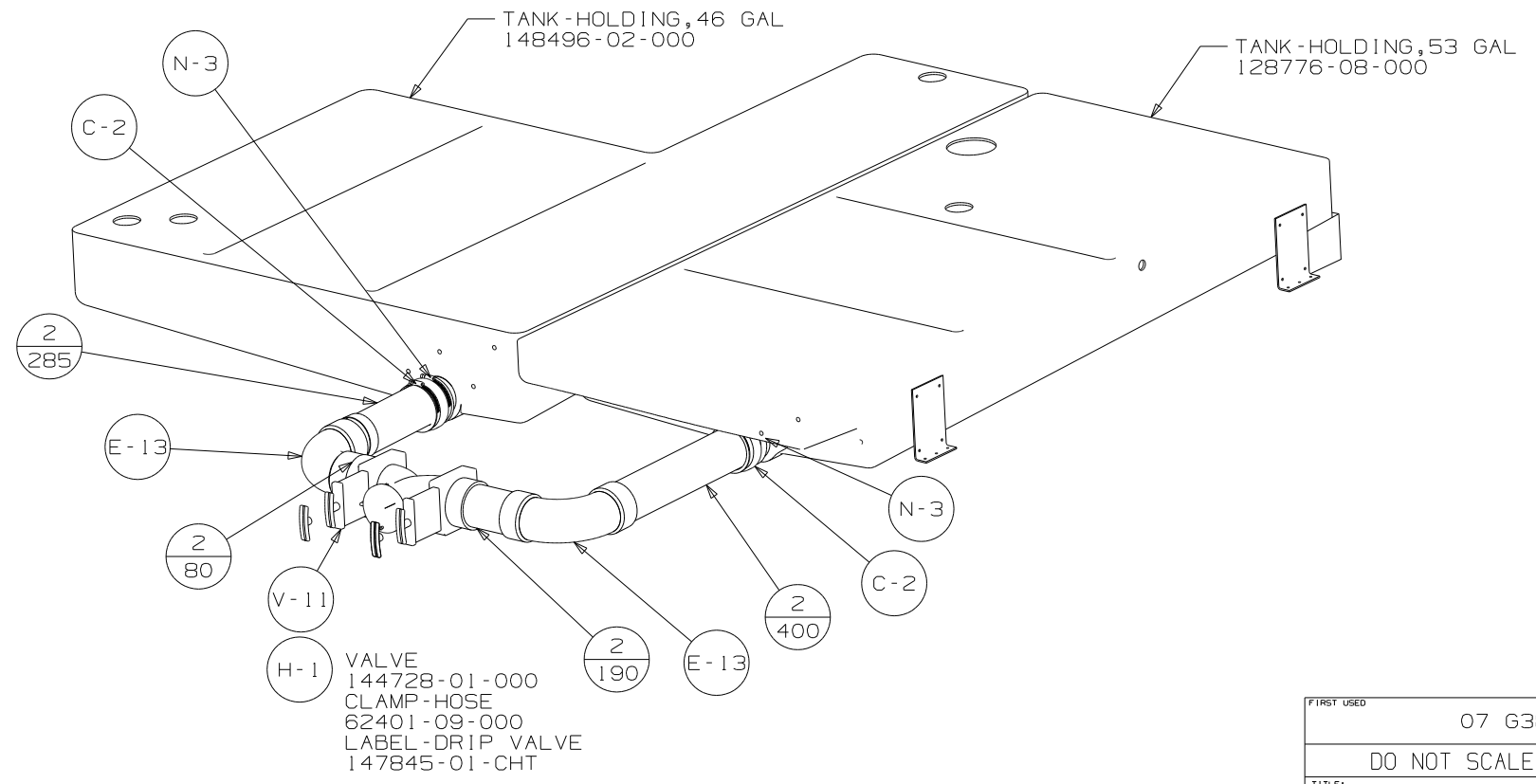
VIEW A

VIEW B

FIRST USED	07 G38J		
TITLE	DO NOT SCALE DRAWING		
	DRAINAGE SYSTEM INSTL		
SHEET 2	PART NO	156259	REV
			1 2/7/2007



VIEW C

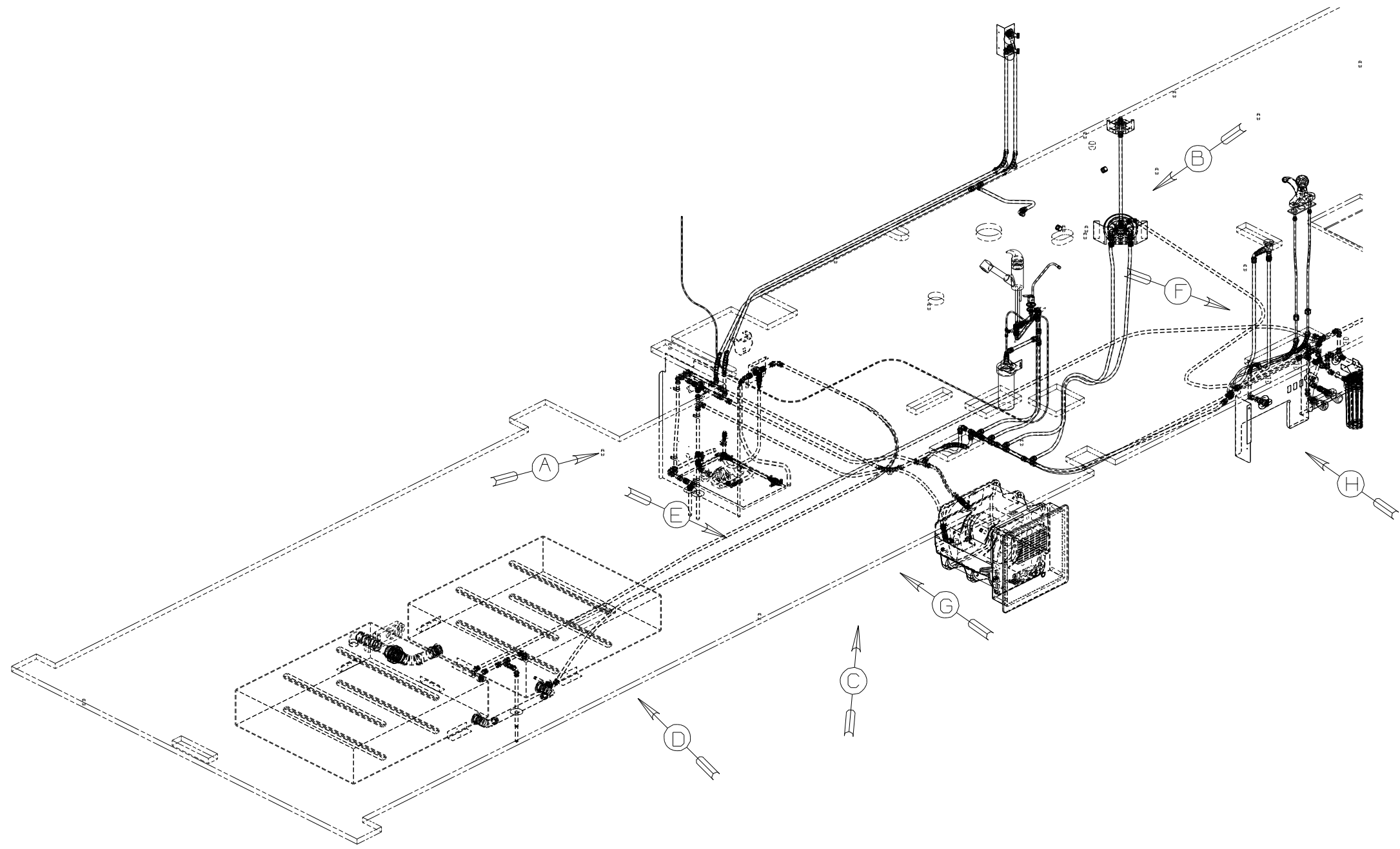


VIEW D

FIRST USED	07 G38J	
TITLE	DO NOT SCALE DRAWING	
	DRAINAGE SYSTEM INSTL	
SHEET 3	PART NO 156259	REV

DWG NO	--
156268-01	(WIN)
156268-02	(ITA)

RELEASE	REV DATE	DWG NO
A		156268
REV ZONE	REVISION RECORD	DATE
		DFTR-0016



- (29B) WATER PURIFIER
- (WIN) WINNEBAGO ONLY
- (ITA) ITASCA ONLY
- (43H) SHOWER HEAD-HAND HELD
- (43A) SHOWER HEAD-FIXED
- (54E) WASHER/DRYER
- (54M) WASHER/DRYER PREP
- (15U) REFRIGERATOR/FRZR W/ICEMAKER

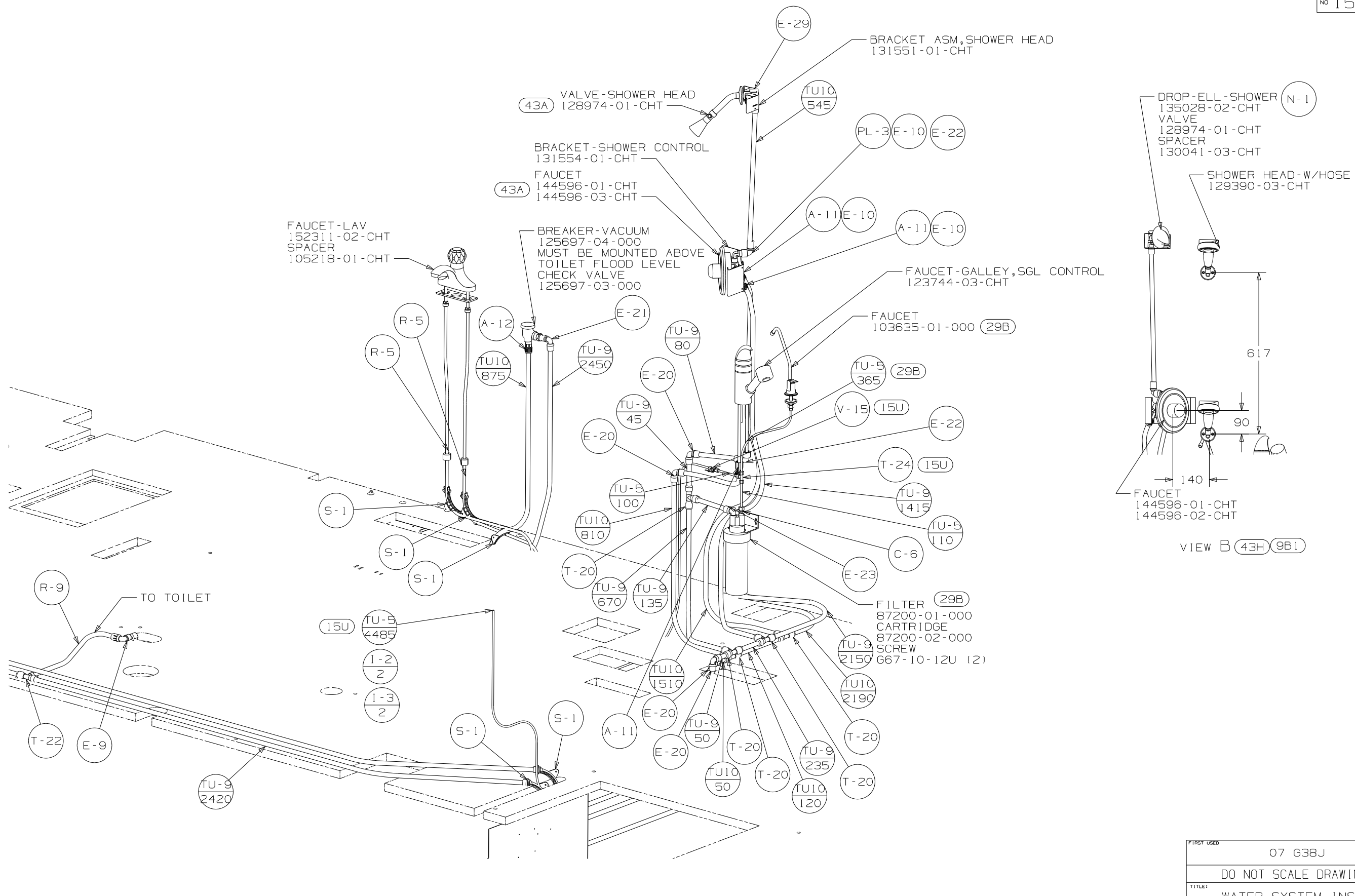
- 7 ADD PIPE WRAP INSULATION (LADDER SCRAP 110157-02-000)
- 6 ADD TEFLON TAPE 10405-01-000.
- 5 ADD TEFLON TAPE 10405-02-000.
- 4 FLUSHING SYSTEM REQUIRES 125697-06-000 INSTRUCTION SHEET.

- 3. ALL TUBING TO BE SECURED AT 1200 INTERVALS MAXIMUM WITH CLAMP 10495-01-000 OR EQUIVALENT AND SCREW G67-10-12B.
- 2. TUBING TO BE INSTALLED WITH SUFFICIENT SLOPE TO PROVIDE DRAINAGE TO NEAREST VALVE.
- 1. PLASTIC FITTINGS TO BE SEALED WITH SEALANT 84456-01-000.

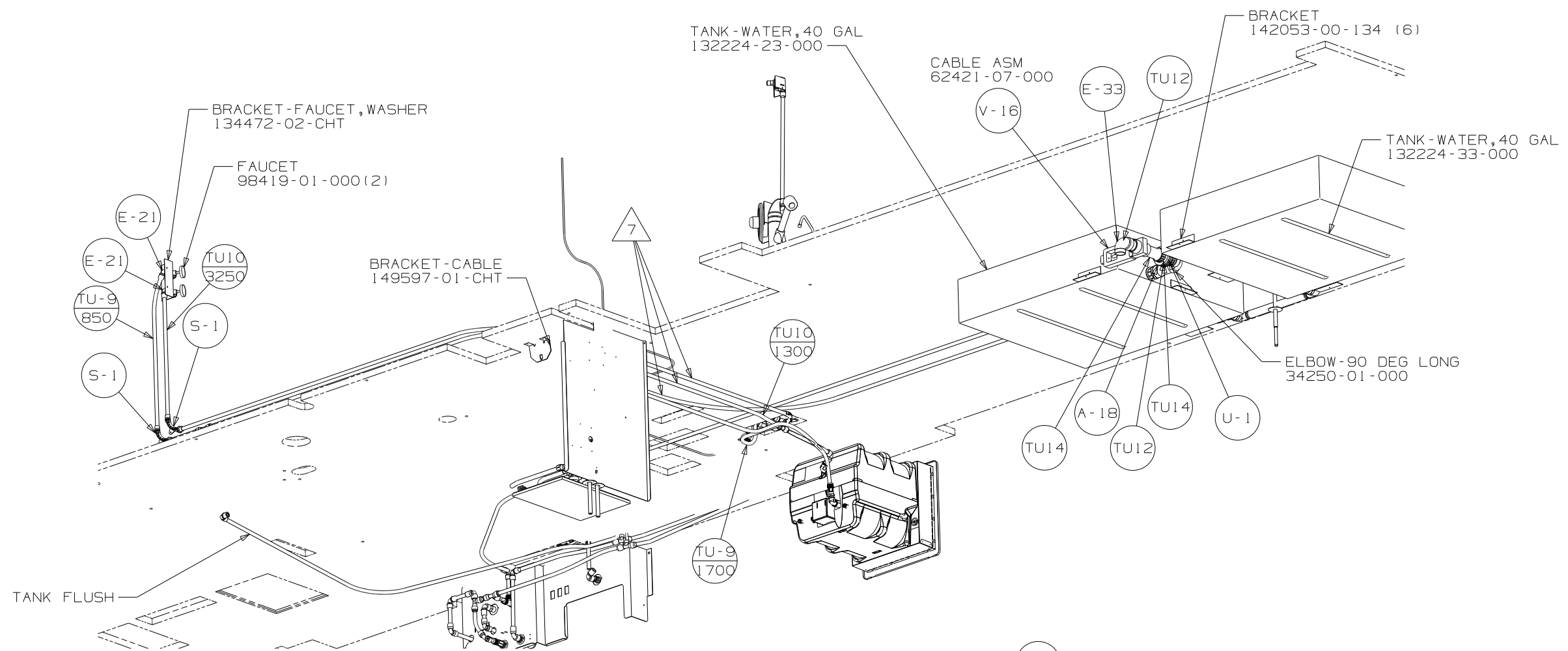
NOTES:

(X-X)
FOR
WATER
CALLOUTS
SEE DWG NO
116230-01-000

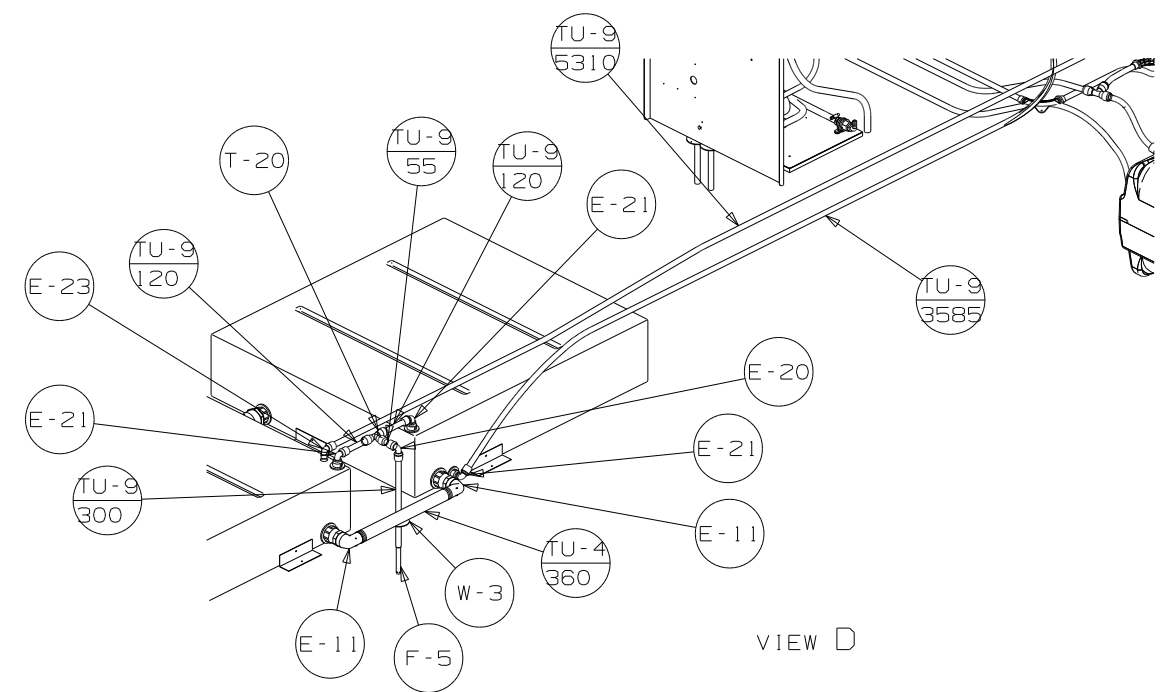
WINNEBAGO		COPYRIGHT 2006 WINNEBAGO INDUSTRIES, INC.	
DFTR	ORIG. DATE	ALL DIMENSIONS ARE IN MILLIMETERS	
CHKR		FIRST USED	
P.E.		07 G38J	
M.E.			
DSNR			
UNSPECIFIED TOLERANCES ARE:		MATERIAL:	
WHOLE DIM (X)	: 3		
ONE-PLACE (X.X)	:		
TWO-PLACE (X.XX)	:		
ANGLE	:		
THIRD ANGLE PROJECTION			
DO NOT SCALE DRAWING			
TITLE: WATER SYSTEM INSTL			
SHEET 1 OF 5	PART NO	156268	REV
REF:	10/23/2006		



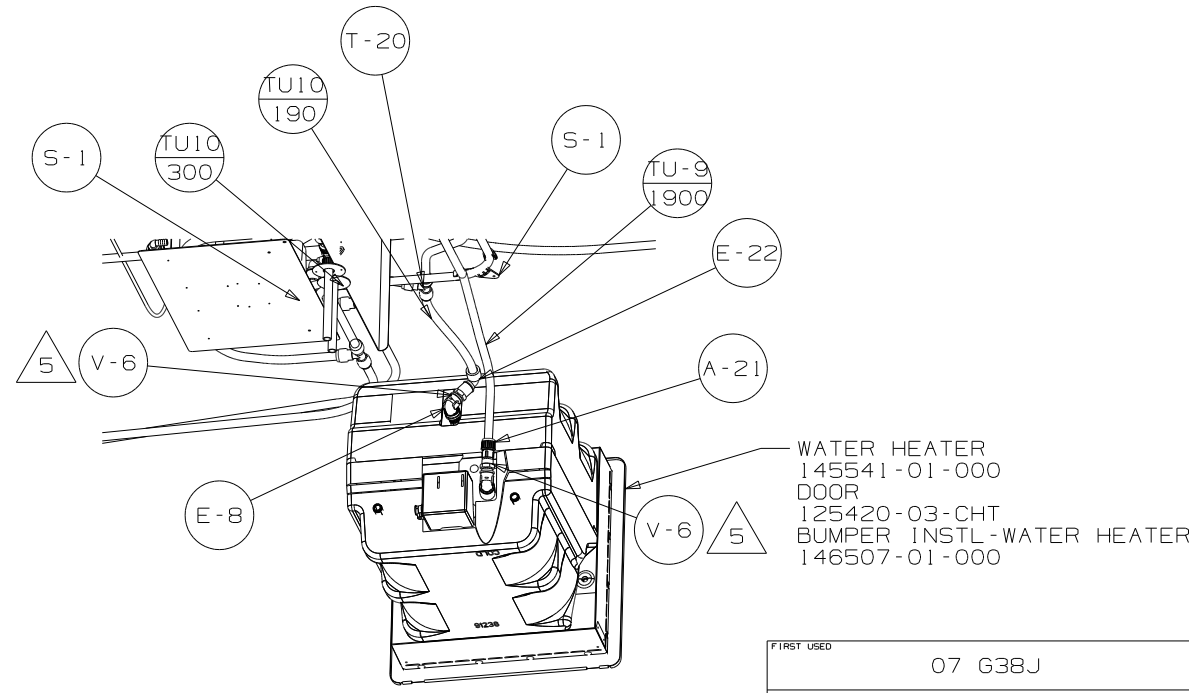
FIRST USED	07 G38J	
TITLE	DO NOT SCALE DRAWING	
TITLE	WATER SYSTEM INSTL	
SHEET 2	PART NO	156268
REV		



VIEW C



VIEW D

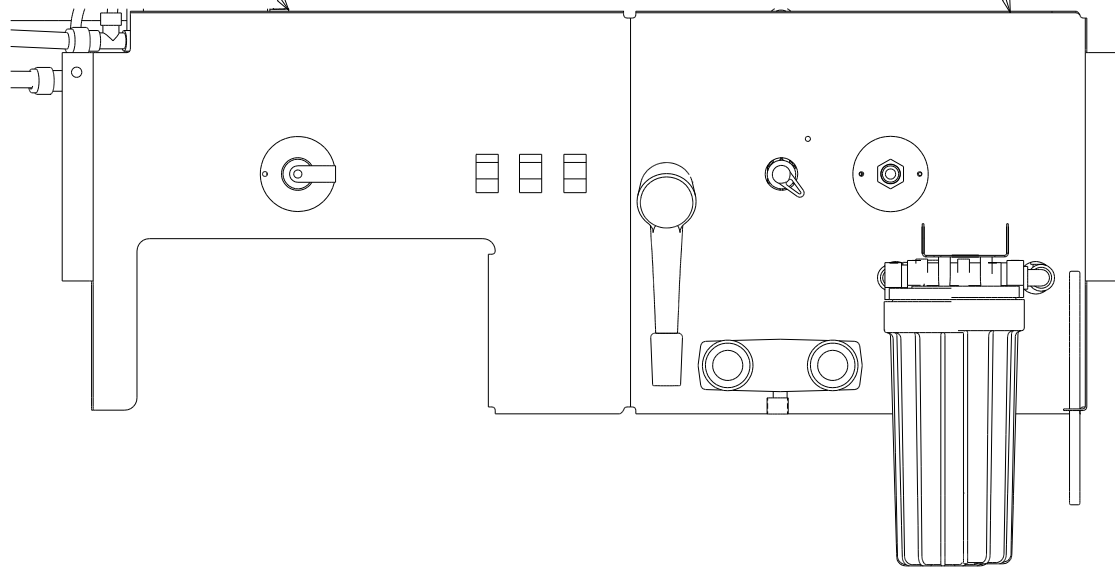


VIEW E

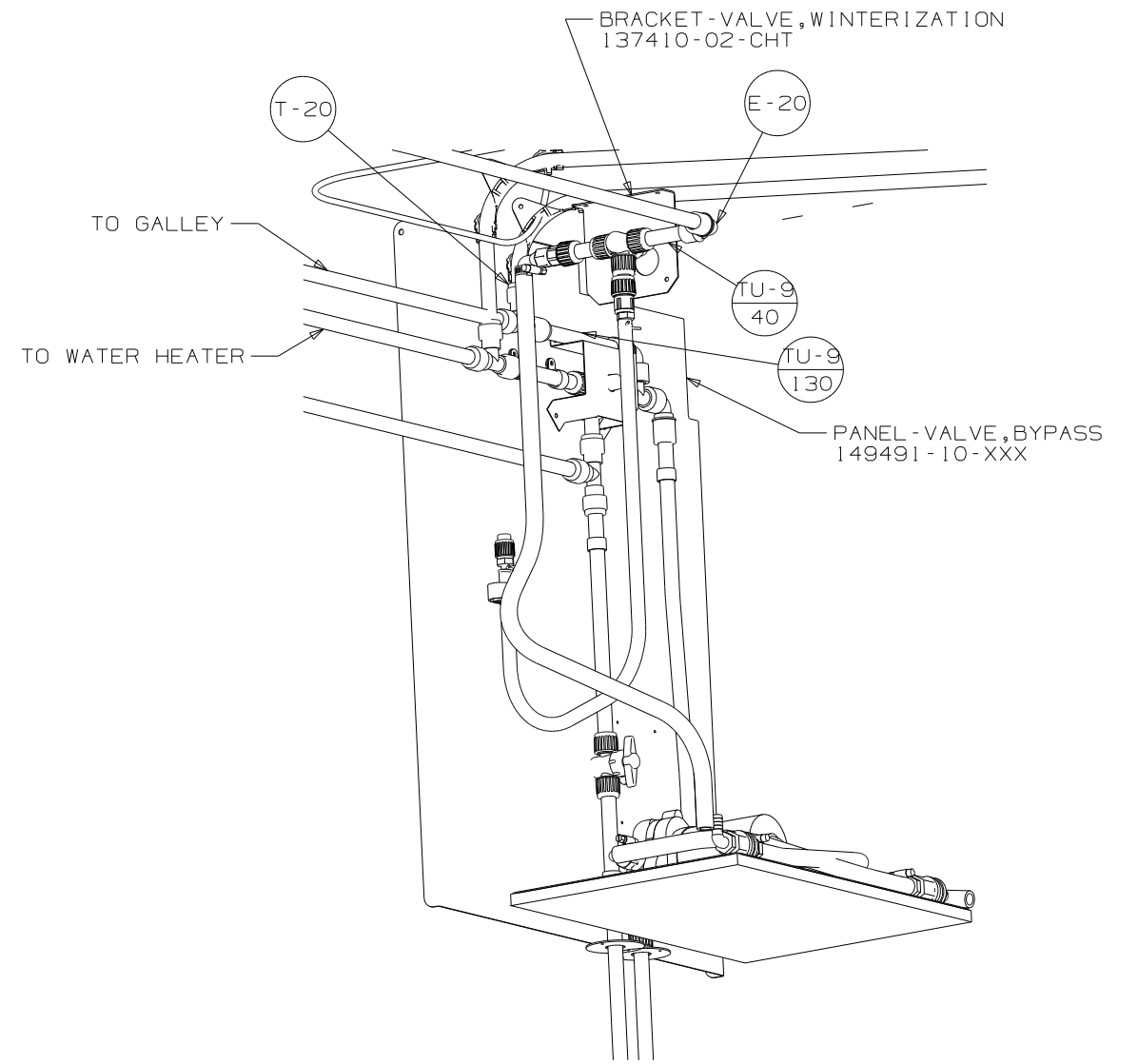
FIRST USED	07 G38J	
TITLE	DO NOT SCALE DRAWING	
	WATER SYSTEM INSTL	
SHEET 3	PART NO	156268
	REV	

WATER CENTER ASM, FILTERED
157511-01-XXX

PANEL - DRAINAGE CENTER
156974-01-CHT

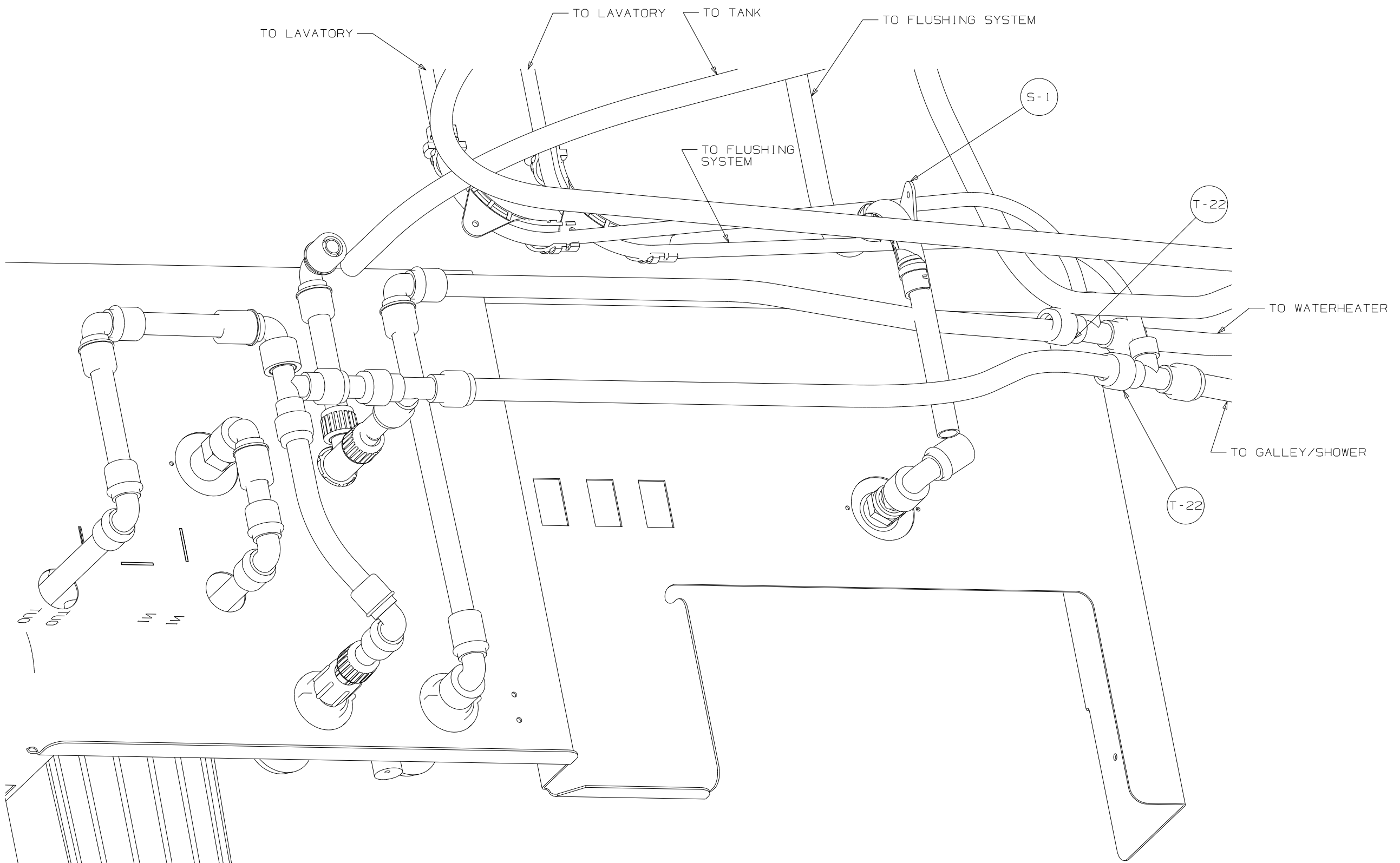


VIEW H



VIEW G

FIRST USED	07 G38J		
TITLE	DO NOT SCALE DRAWING		
TITLE	WATER SYSTEM INSTL		
SHEET 4	PART NO	156268	REV



VIEW F

FIRST USED	07 G38J	
TITLE	DO NOT SCALE DRAWING	
SHEET 5	PART NO	156268
	REV	