

FRONT
OF
COACH

- (WIN) WINNEBAGO ONLY
- (ITA) ITASCA ONLY
- (43E) TOILET PORCELAIN-ROUND
- (1B1) CODES/STANDARDS USA
- (265) CODES/STANDARDS-CSA/CMVSS
- (21M) WASHER/DRYER PREP
- (54E) WASHER/DRYER

6 VENT PIPE MUST PROJECT 51 MIN AND 64 MAX ABOVE ROOF FOR PROPER FIT AND FUNCTION.

- 5. SEAL AROUND SHOWER WITH SILICONE.
- 4. ALL EXTERIOR OPENINGS AROUND PIPE TO BE SEALED WITH 131264-03-000.
- 3. ALL PIPE AND FITTINGS TO BE ASSEMBLED WITH SOLVENT 4020-01-000.
- 2. SLOPE OF TRAP ARM MUST BE 6 PER 305 mm.
- 1. SLOPE OF HORIZONTAL PIPING TO BE MIN 3 PER 305 mm.

NOTES:

FOR
DRAINAGE
CALLOUTS
SEE DWG NO
116229-01-000

WINNEBAGO		COPYRIGHT 2007 WINNEBAGO INDUSTRIES, INC.	
D/FR	ORIG. DATE	ALL DIMENSIONS ARE IN MILLIMETERS	
CHKR		FIRST USED	
P.E.		07 G37B	
M.E.		UNSPECIFIED TOLERANCES ARE:	
DSNR		MATERIAL:	
		WHOLE DIM (X) :	7
		ONE-PLACE (X.X) :	
		TWO-PLACE (X.XX) :	
		ANGLE :	
THIRD ANGLE PROJECTION		DO NOT SCALE DRAWING	
TITLE: DRAINAGE SYSTEM INSTL			
SHEET 1 OF 3	PART NO	159149	REV

SINK-SMC,DBL L/S BASIN
148870-02-CHT (US/CAN)
STRAINER
92303-01-000 (2)
ANGLE
140002-01-CHT (10)
SCREW
G67-01-08B (8)
SEAL
(A/R)

TOILET (43E)
160815-01-CHT
SCREW
87721-01-000 (8)

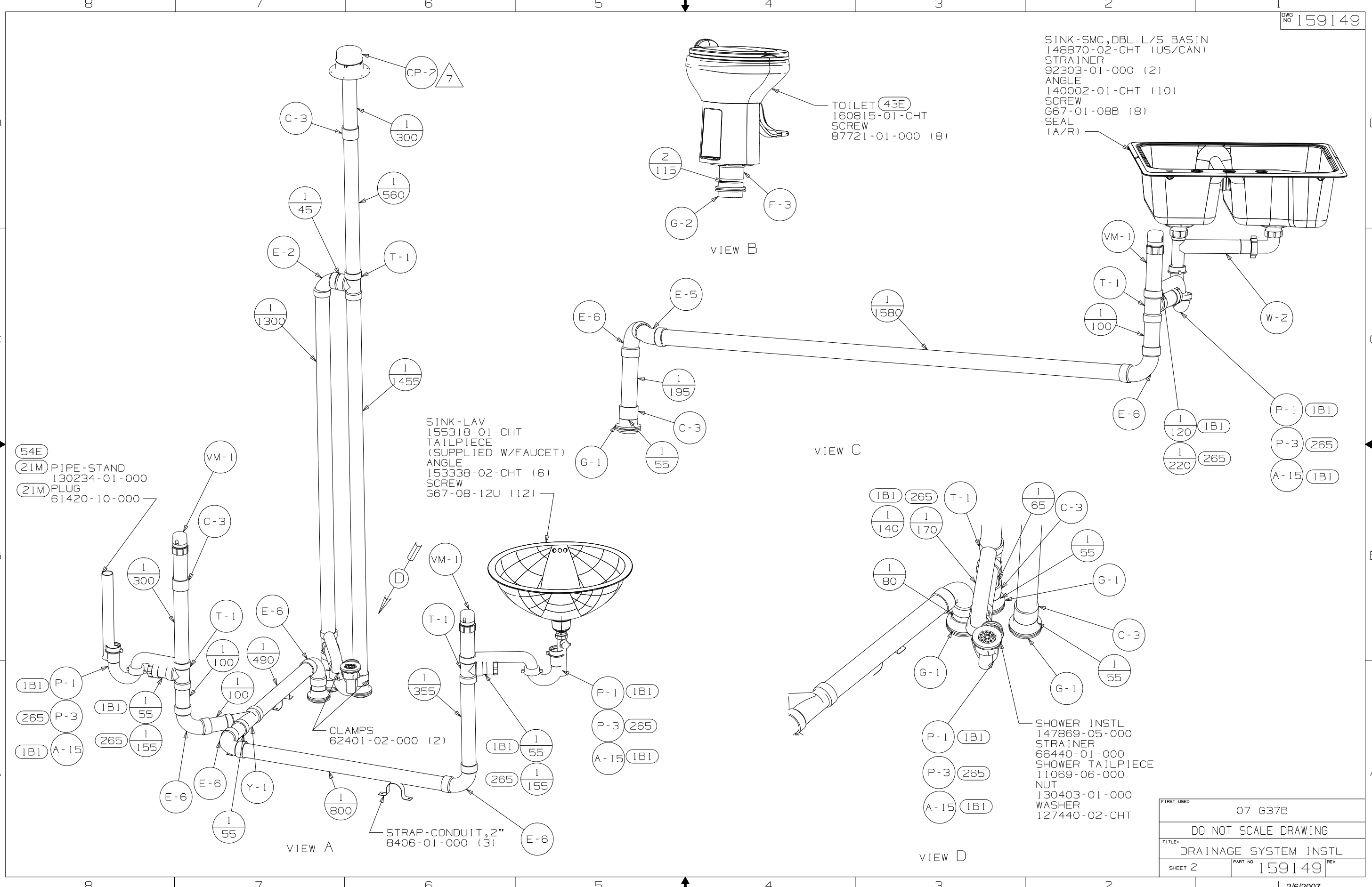
SINK-LAV
155318-01-CHT
TAILPIECE
(SUPPLIED W/FAUCET)
ANGLE
153338-02-CHT (6)
SCREW
G67-08-12U (12)

SHOWER INSTL
147869-05-000
STRAINER
66440-01-000
SHOWER TAILPIECE
11069-06-000
NUT
130403-01-000
WASHER
127440-02-CHT

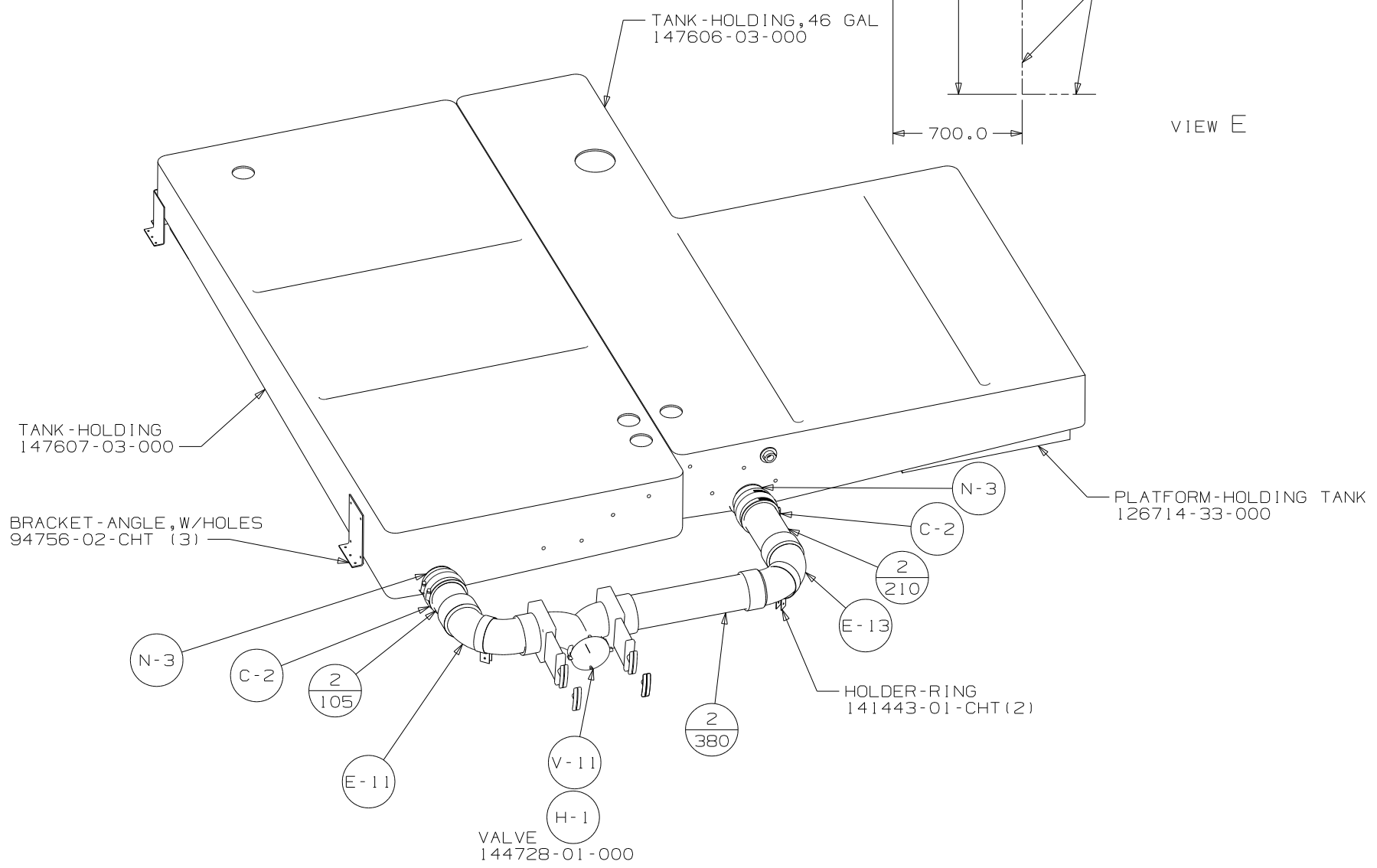
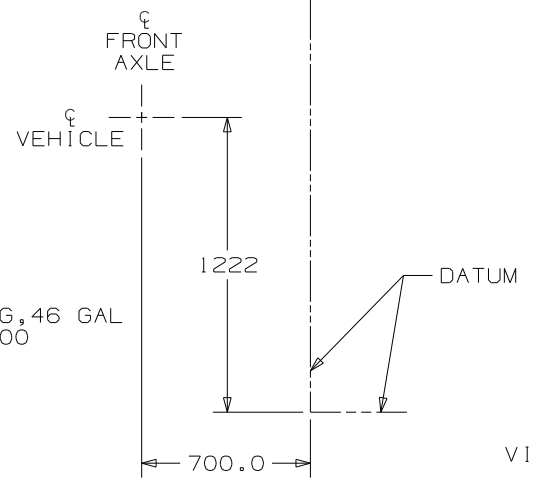
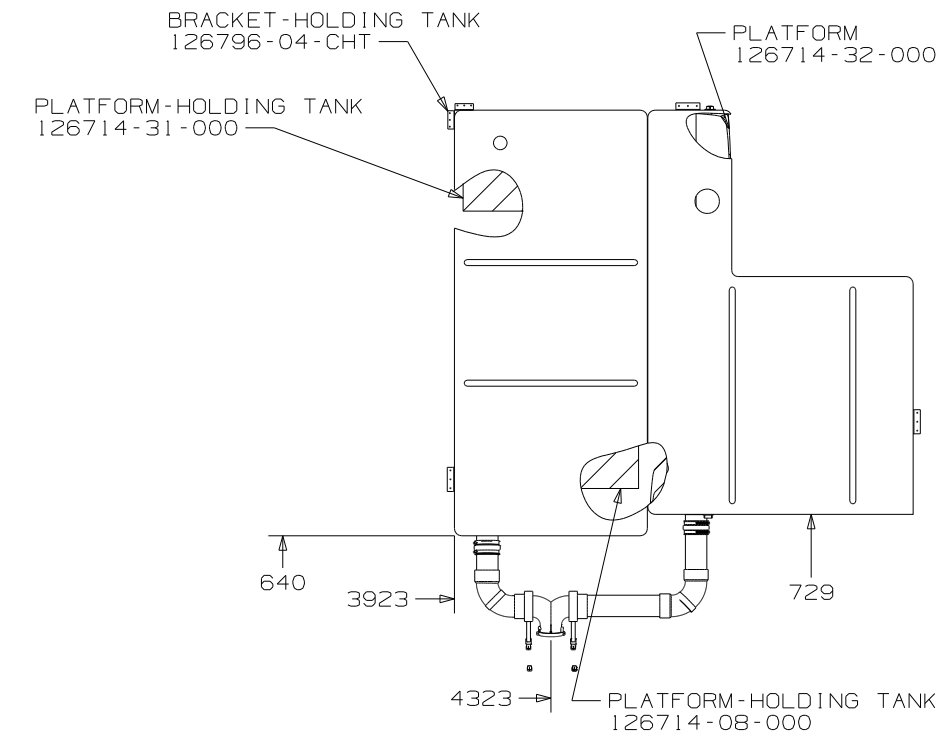
(54E)
(21M) PIPE-STAND
130234-01-000
(21M) PLUG
61420-10-000

CLAMPS
62401-02-000 (2)

STRAP-CONDUIT, 2"
8406-01-000 (3)



FIRST USED	07 G37B	
DO NOT SCALE DRAWING		
TITLE	DRAINAGE SYSTEM INSTL	
SHEET 2	PART NO	159149
REV		

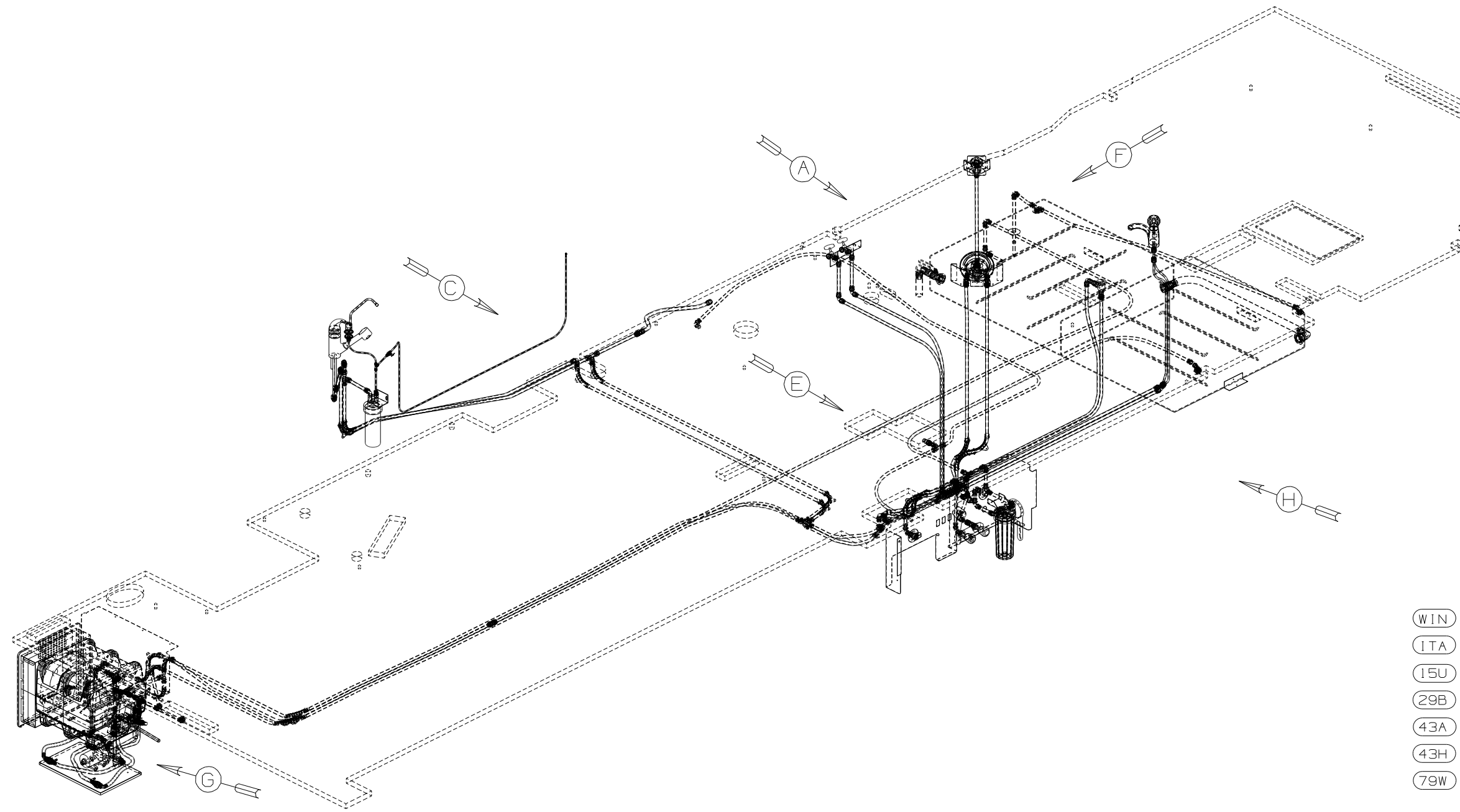


VIEW F

FIRST USED	07 G37B		
TITLE	DO NOT SCALE DRAWING		
	DRAINAGE SYSTEM INSTL		
SHEET 3	PART NO	159149	REV

8 7 6 5 4 3 2

RELEASE	REV DATE	DWG NO
A		159158
REV ZONE	REVISION RECORD	DATE DFR-ORIG



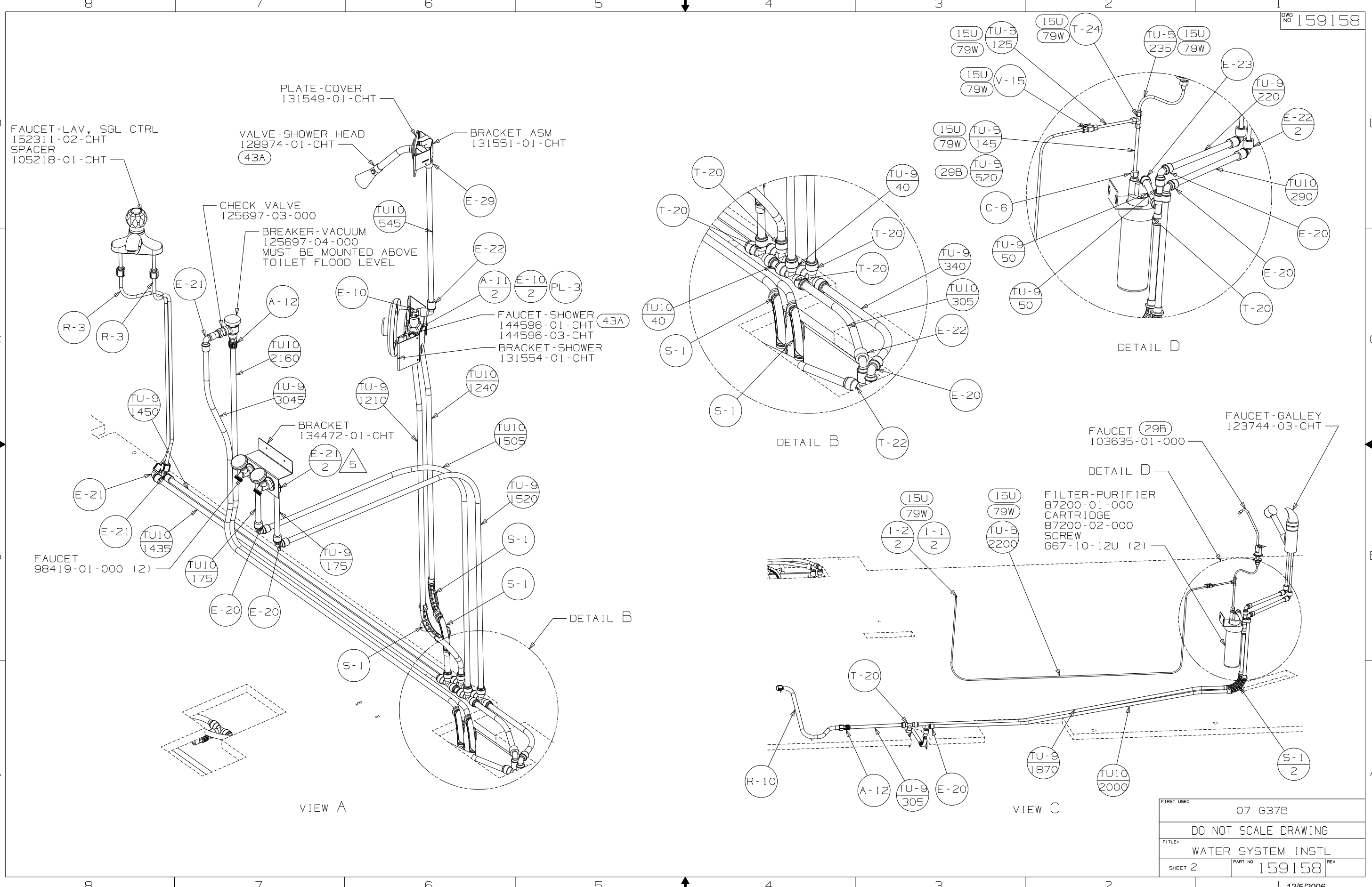
- (WIN) WINNEBAGO ONLY
- (ITA) ITASCA ONLY
- (15U) REFRIGERATOR/FRZR W/ICEMAKER
- (29B) WATER PURIFIER
- (43A) SHOWER HEAD-FIXED
- (43H) SHOWER HEAD-HAND HELD
- (79W) REFRIGERATOR 4-DOOR

- △ 7 ADD PIPE WRAP INSULATION (LADDER SCRAP 110157-02-000)
 - △ 6 ADD TEFLON TAPE 10405-01-000.
 - △ 5 ADD TEFLON TAPE 10405-02-000.
 - △ 4 USED IN PLACE OF SUPPLIED SCREWS TO ATTACH BRACKET TO WALL.
3. ALL TUBING TO BE SECURED AT 1200 INTERVALS MAXIMUM WITH CLAMP 10495-01-000 OR EQUIVALENT AND SCREW G67-10-12B.
 2. TUBING TO BE INSTALLED WITH SUFFICIENT SLOPE TO PROVIDE DRAINAGE TO NEAREST VALVE.
 1. PLASTIC FITTINGS TO BE SEALED WITH SEALANT 84456-01-000.
- NOTES:

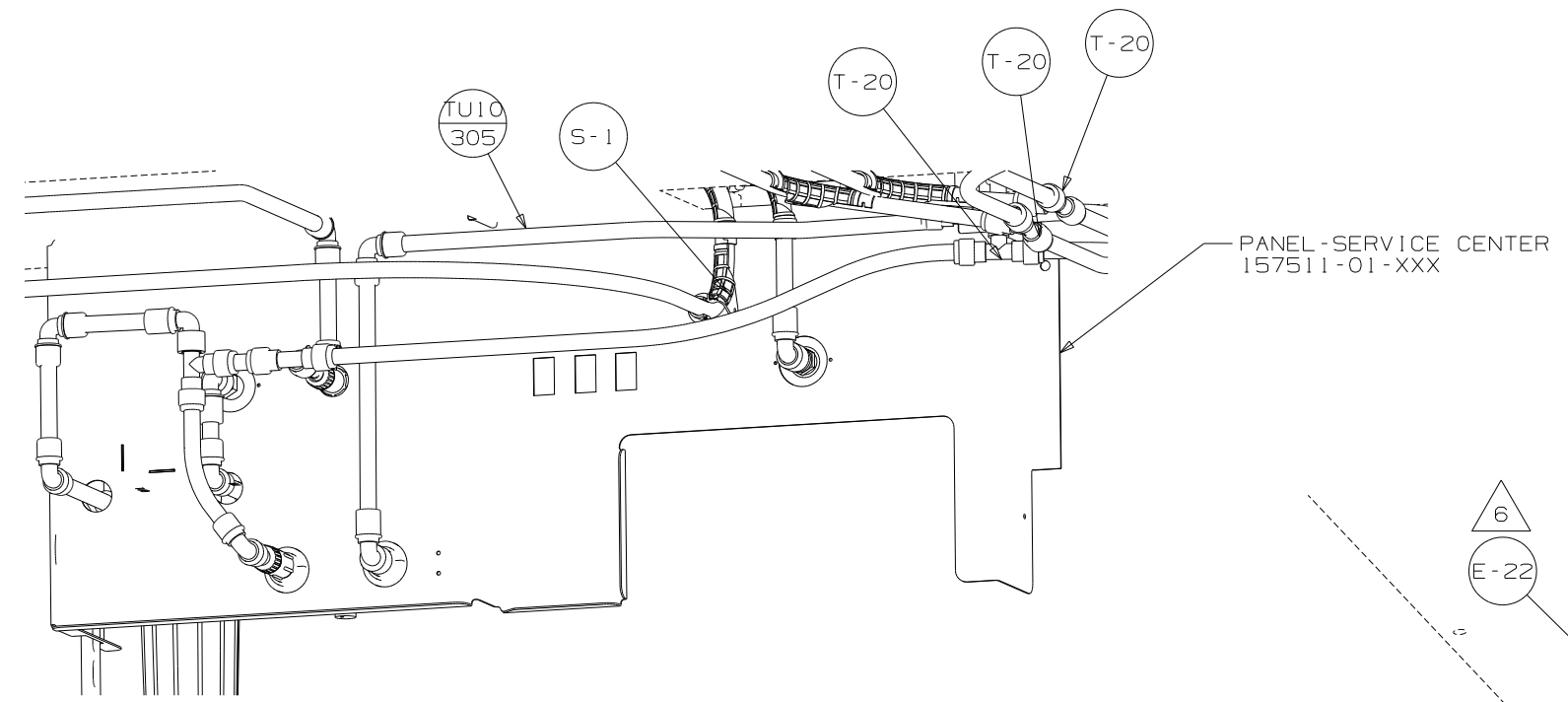
WINNEBAGO		COPYRIGHT 2006 WINNEBAGO INDUSTRIES, INC.	
DFTR	ORIG. DATE	ALL DIMENSIONS ARE IN MILLIMETERS	
CHKR		FIRST USED	
P.E.		07 G37B	
M.E.		UNSPECIFIED TOLERANCES ARE:	
DSNR		MATERIALS:	
		WHOLE DIM (X) :	7
		ONE-PLACE (X.X) :	∅
		TWO-PLACE (X.XX) :	∅
		ANGLE :	∅
		THIRD ANGLE PROJECTION	∅
DO NOT SCALE DRAWING			
TITLE: WATER SYSTEM INSTL			
SHEET 1 OF 4	PART NO	159158	REV

(X-X)
FOR
WATER
CALLOUTS
SEE DWG NO
116230-01-000

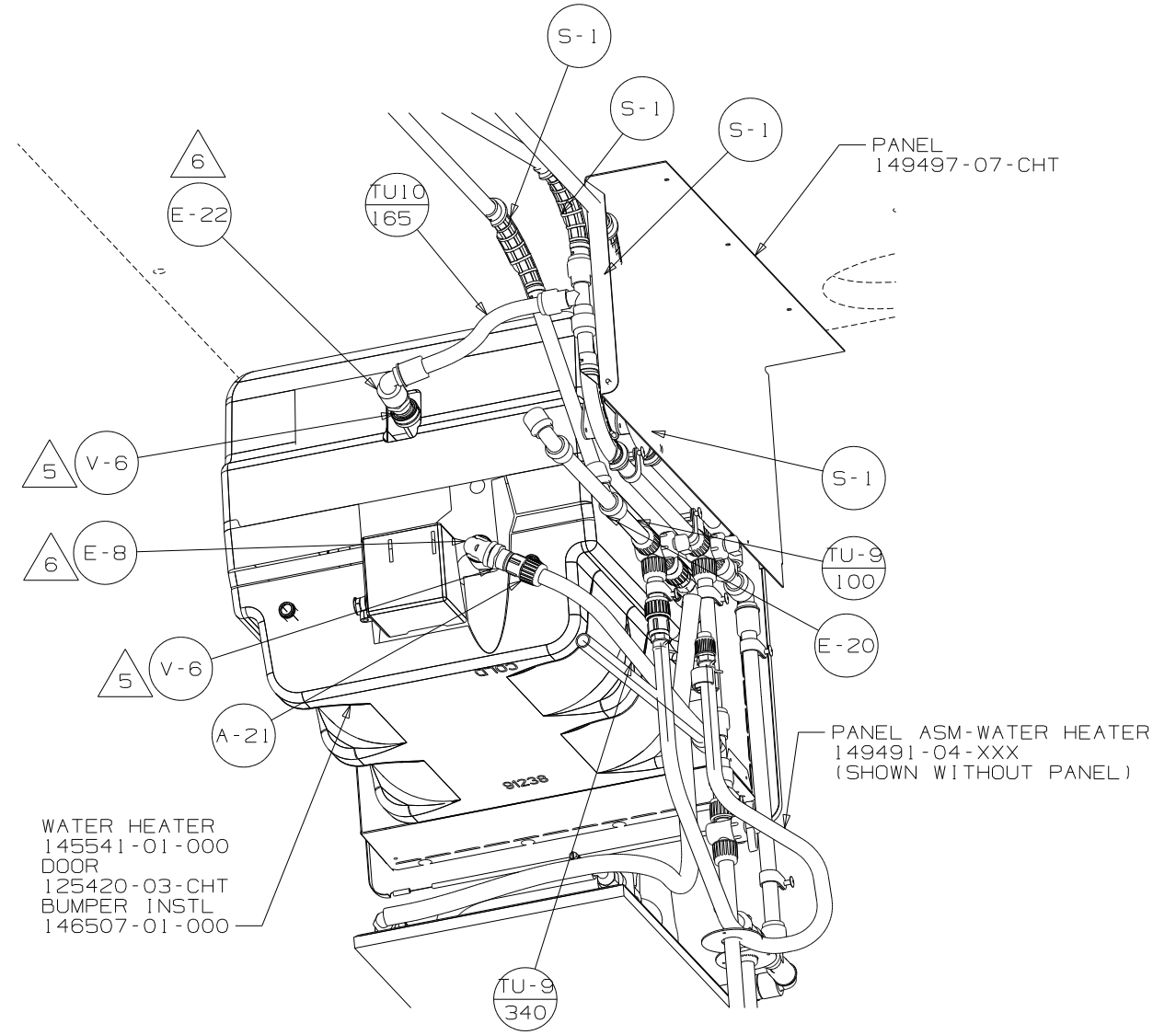
8 7 6 5 4 3 2



FIRST USED	07 G37B
TITLE	DO NOT SCALE DRAWING
	WATER SYSTEM INSTL
SHEET 2	PART NO 159158 REV



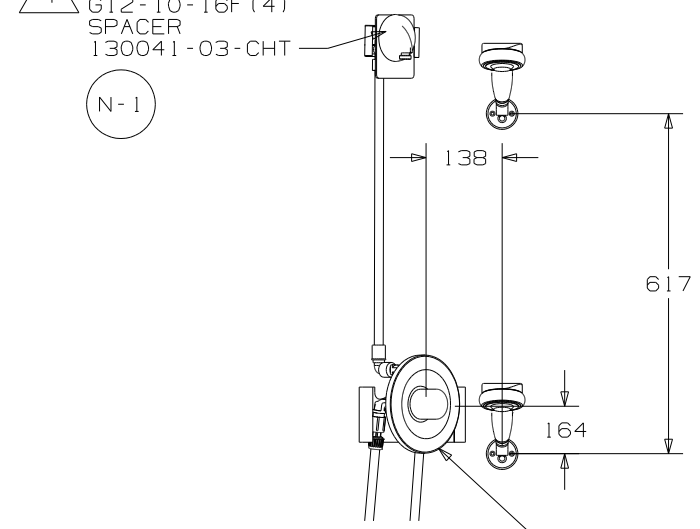
VIEW E



VIEW G

WATER HEATER
145541-01-000
DOOR
125420-03-CHT
BUMPER INSTL
146507-01-000

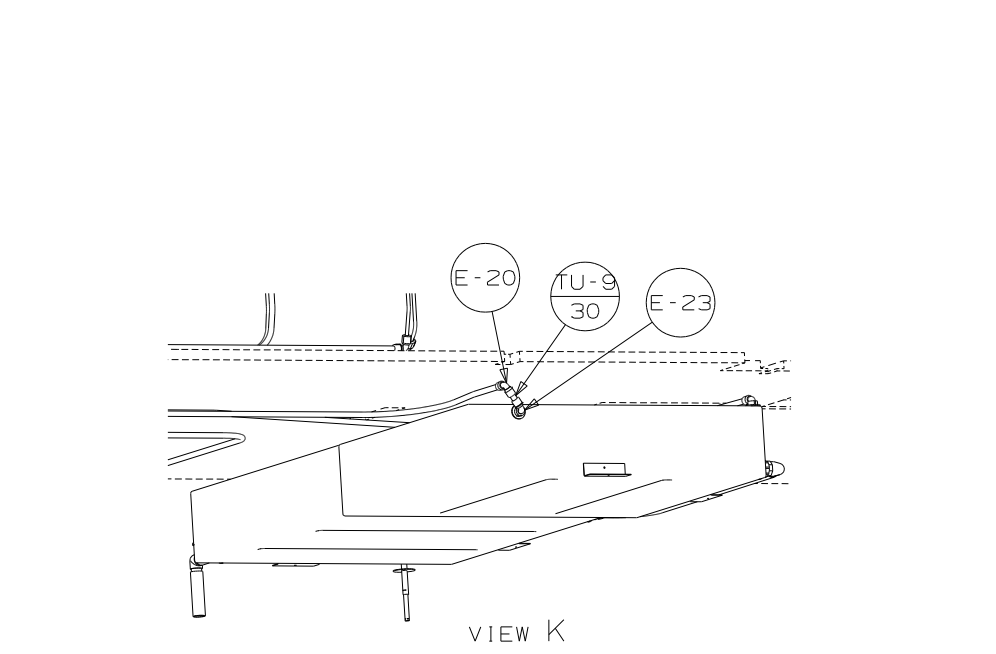
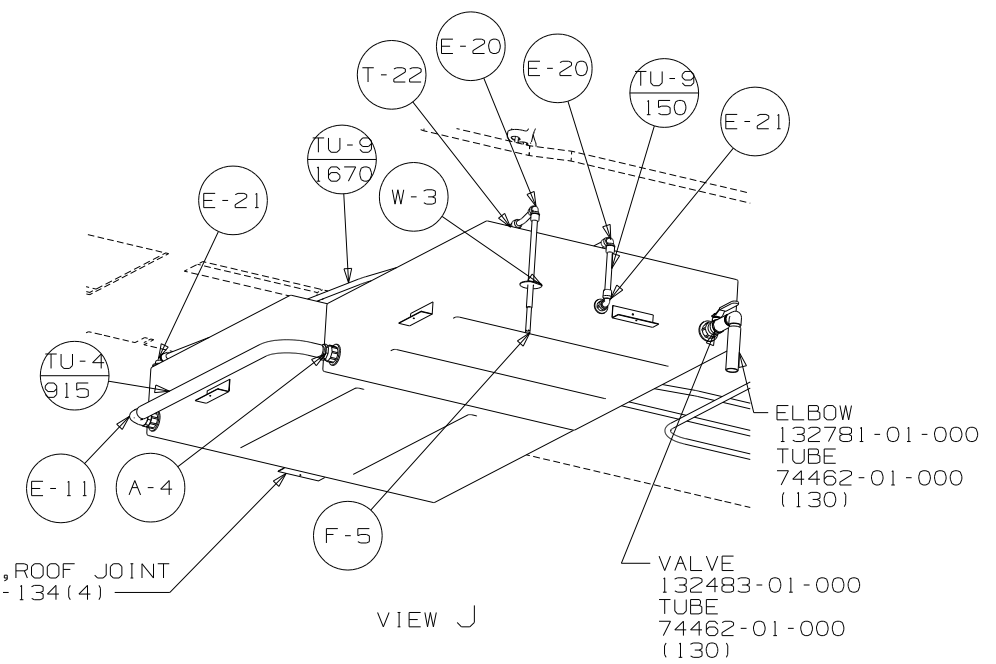
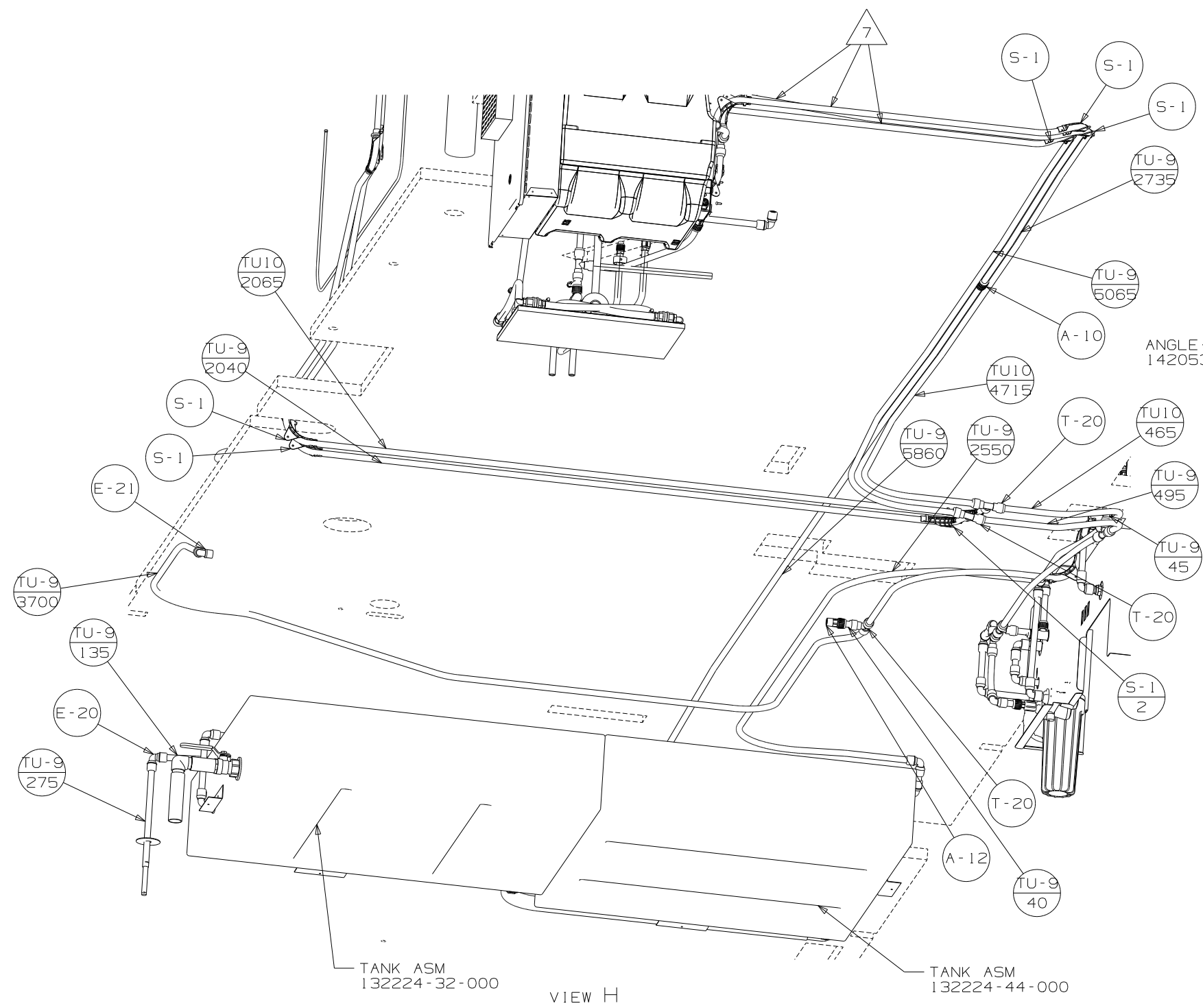
- 4 DROP ELL
135028-02-CHT
- VALVE
128974-01-CHT
- SHOWER HEAD-W/HOSE
129390-03-CHT
- SCREW
G12-10-16F (4)
- SPACER
130041-03-CHT



VIEW F
(43H)

FAUCET-SHOWER
144596-01-CHT
144596-02-CHT

FIRST USED	07 G37B
DO NOT SCALE DRAWING	
TITLE	WATER SYSTEM INSTL
SHEET 3	PART NO 159158 REV



ANGLE-STL, ROOF JOINT
142053-00-134 (4)

ELBOW
132781-01-000
TUBE
74462-01-000
(130)
VALVE
132483-01-000
TUBE
74462-01-000
(130)

FIRST USED	07 G37B
DO NOT SCALE DRAWING	
TITLE	WATER SYSTEM INSTL
SHEET 4	PART NO 159158 REV