

- FRONT OF COACH
- 11 CLAMP 92401-09-000- SCREW HEAD IS TO FACE LEFT SIDE OF COACH TO BE ADJUSTABLE FROM WATER-HEATER AREA.
  - 10 CLAMPS 92401-09-000 TO BE ADJUSTABLE FROM BELOW FLOOR THRU ACCESS PANEL.
  - 9 SECURE PIPES TO FLOOR USING BRACKET 136878-01-CHT (3) CLAMP 62401-02-000 (3) AND SCREW G67-10-12B (3).
  8. SECURE PIPES TO CABINET USING WIRE TIE 108046-02-000 AND SCREW G67-10-12U (8).
  7. SEE DWG 61607-01-000 FOR INSTL OF GROMMET.
  - 6 VENT PIPE MUST PROJECT 51 MIN AND 64 MAX ABOVE ROOF FOR PROPER FIT AND FUNCTION.
  5. SEAL AROUND SHOWER WITH SILICONE.
  4. ALL EXTERIOR OPENINGS AROUND PIPE TO BE SEALED WITH 110744-01-000.
  3. ALL PIPE AND FITTINGS TO BE ASSEMBLED WITH SOLVENT 4020-01-000 (US) 4020-02 (CAN).
  2. SLOPE OF TRAP ARM MUST BE 6 PER 305 mm.
  1. SLOPE OF HORIZONTAL PIPING TO BE MIN 3 PER 305 mm.

- (21M) WASHER/DRYER PREP
- (54E) WASHER/DRYER
- (1B1) CODES/STANDARDS USA
- (265) CODES/STDS-CSA/CMVSS
- (44X) BED-QUEEN SIDEWALL
- (23C) BED-KING SIDEWALL

NOTES:

(X-X)  
FOR DRAINAGE CALLOUTS SEE DWG NO 116229-01-000

<b>WINNEBAGO</b>		COPYRIGHT 2007 WINNEBAGO INDUSTRIES, INC.	
DFTR	ORIG. DATE	ALL DIMENSIONS ARE IN MILLIMETERS	
CHKR		FIRST USED	
P.E.		07 G35L	
M.E.			
DSNR			
UNSPECIFIED TOLERANCES ARE:		MATERIAL:	
WHOLE DIM (X)	: 5		
ONE-PLACE (X.X)	:		
TWO-PLACE (X.XX)	:		
ANGLE	:		
THIRD ANGLE PROJECTION			
DO NOT SCALE DRAWING			
TITLE: DRAINAGE SYSTEM INSTL			
SHEET 1 OF 3	PART NO 157395	REV	
REF:	1 2/7/2007		

SINK - DBL  
148870-02-CHT  
STRAINER  
92303-01-000 (2)  
BRACKET  
140002-01-CHT (8)  
SCREW  
142261-02-CHT (20)  
WASHER-RUBBER  
127440-02-CHT (2)  
SEAL (A/R)

SINK  
155318-01-CHT  
SCREW  
G67-08-10U (20)  
SEAL (A/R)  
TAILPIECE  
SUPPLIED W/FAUCET

VIEW B

PIPE-STAND  
130234-01-000  
PLUG-PLASTIC  
61420-10-000

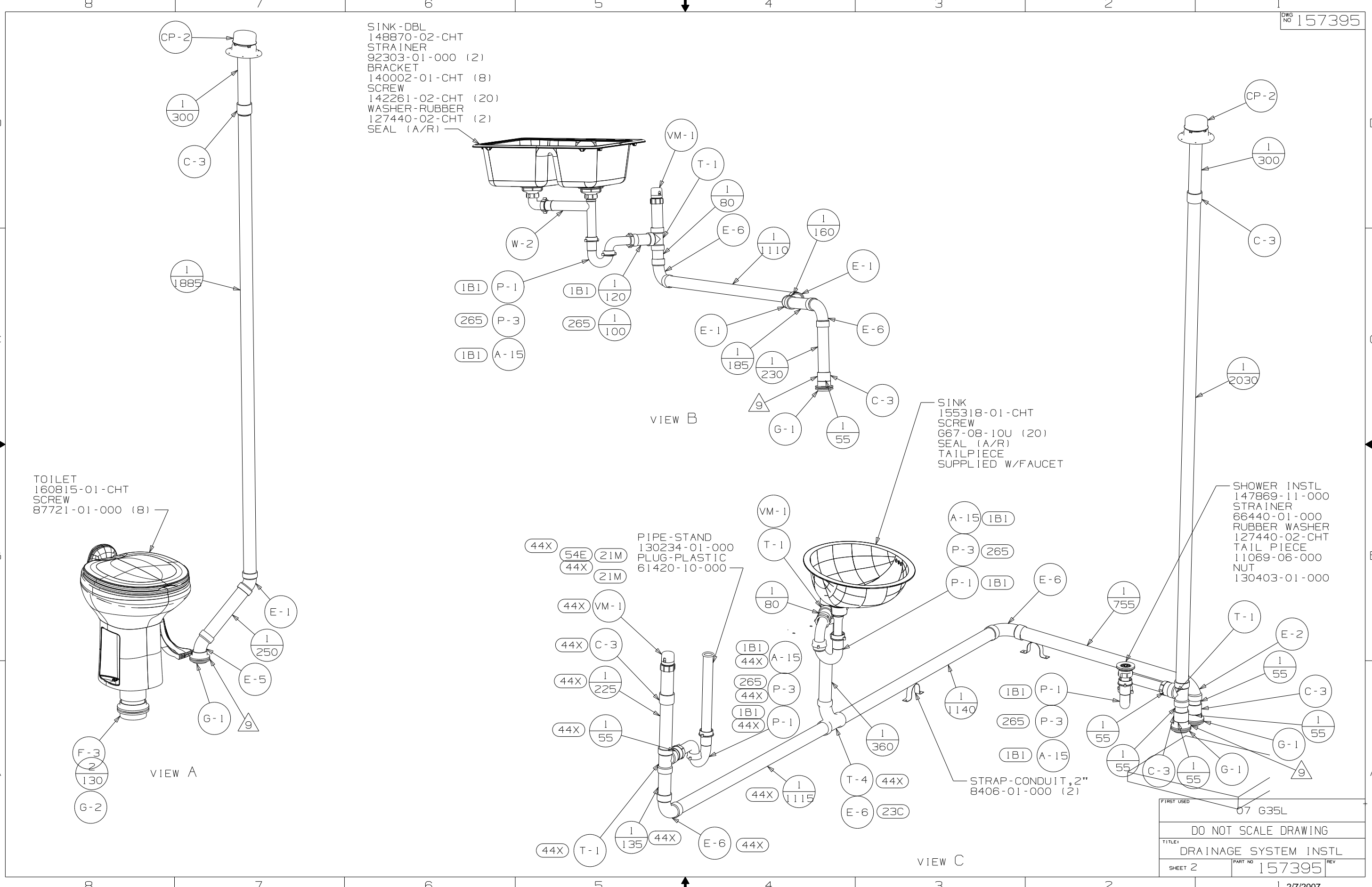
STRAP-CONDUIT, 2"  
8406-01-000 (2)

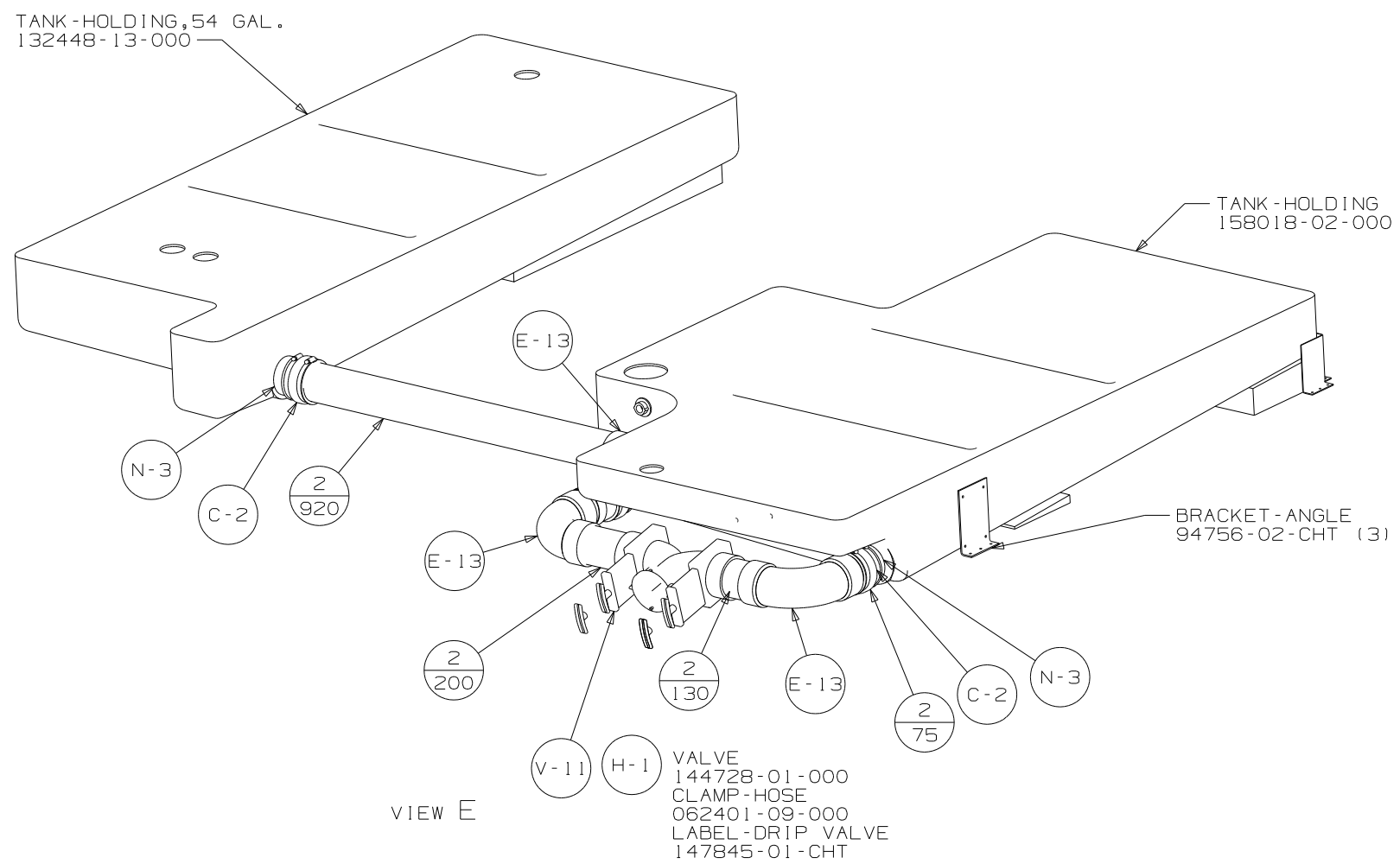
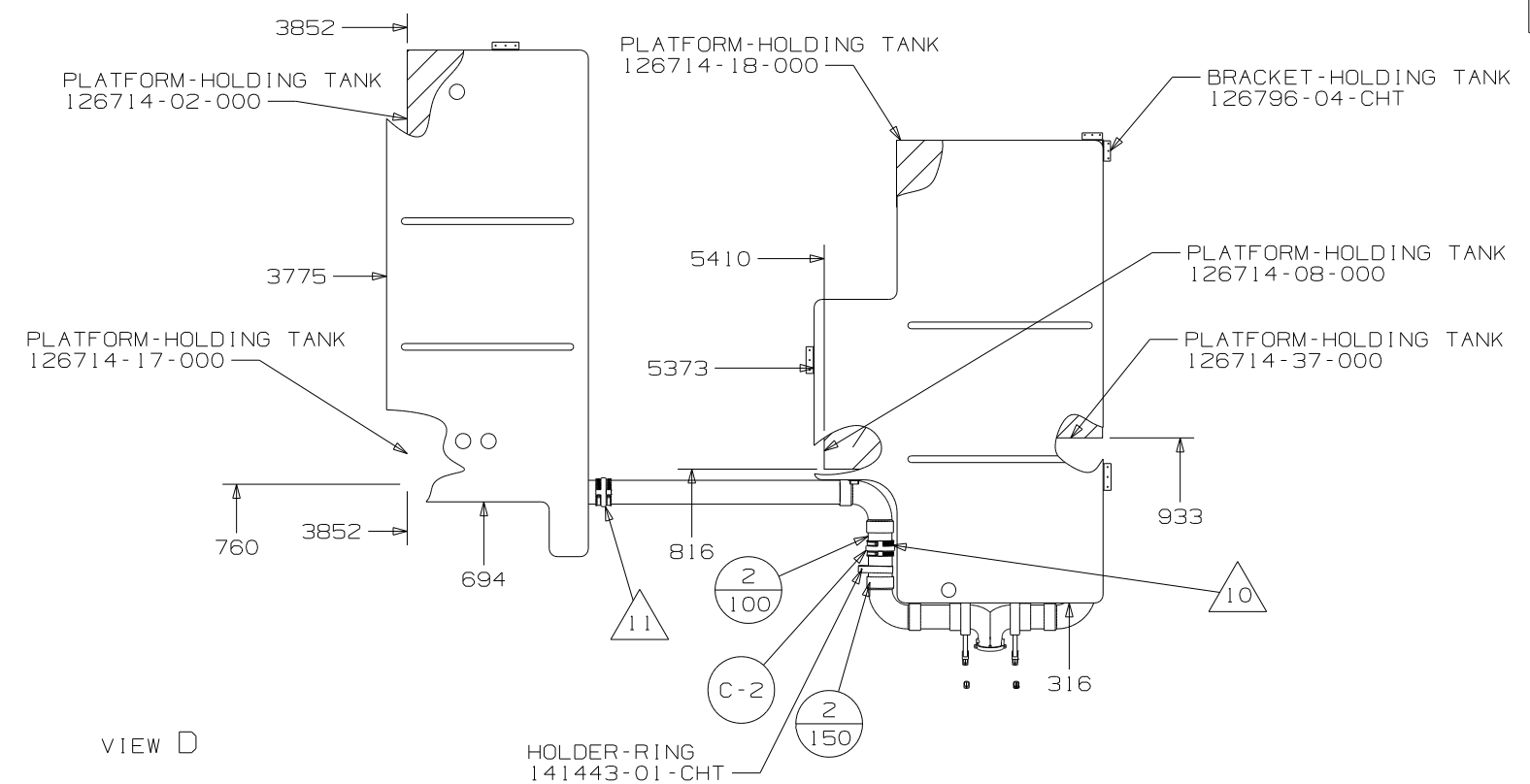
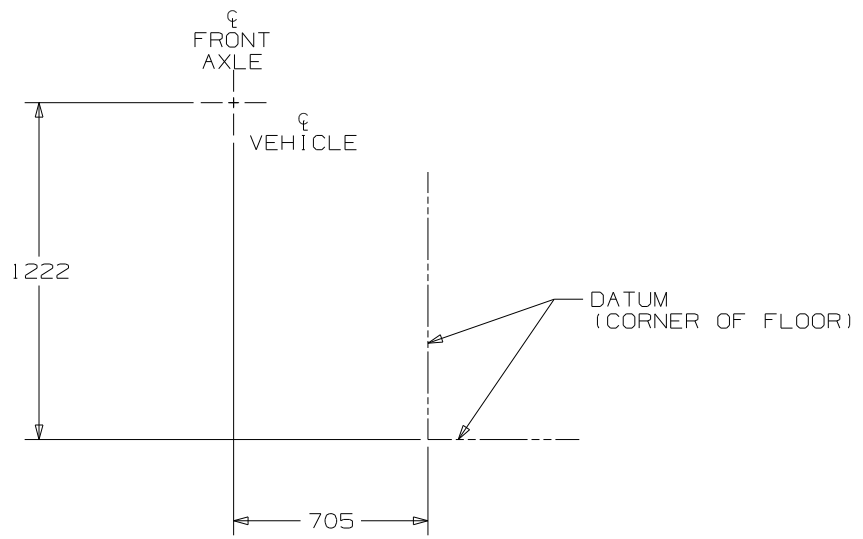
SHOWER INSTL  
147869-11-000  
STRAINER  
66440-01-000  
RUBBER WASHER  
127440-02-CHT  
TAILPIECE  
11069-06-000  
NUT  
130403-01-000

VIEW A

VIEW C

FIRST USED	07 G35L	
DO NOT SCALE DRAWING		
TITLE:	DRAINAGE SYSTEM INSTL	
SHEET 2	PART NO	157395
REV		



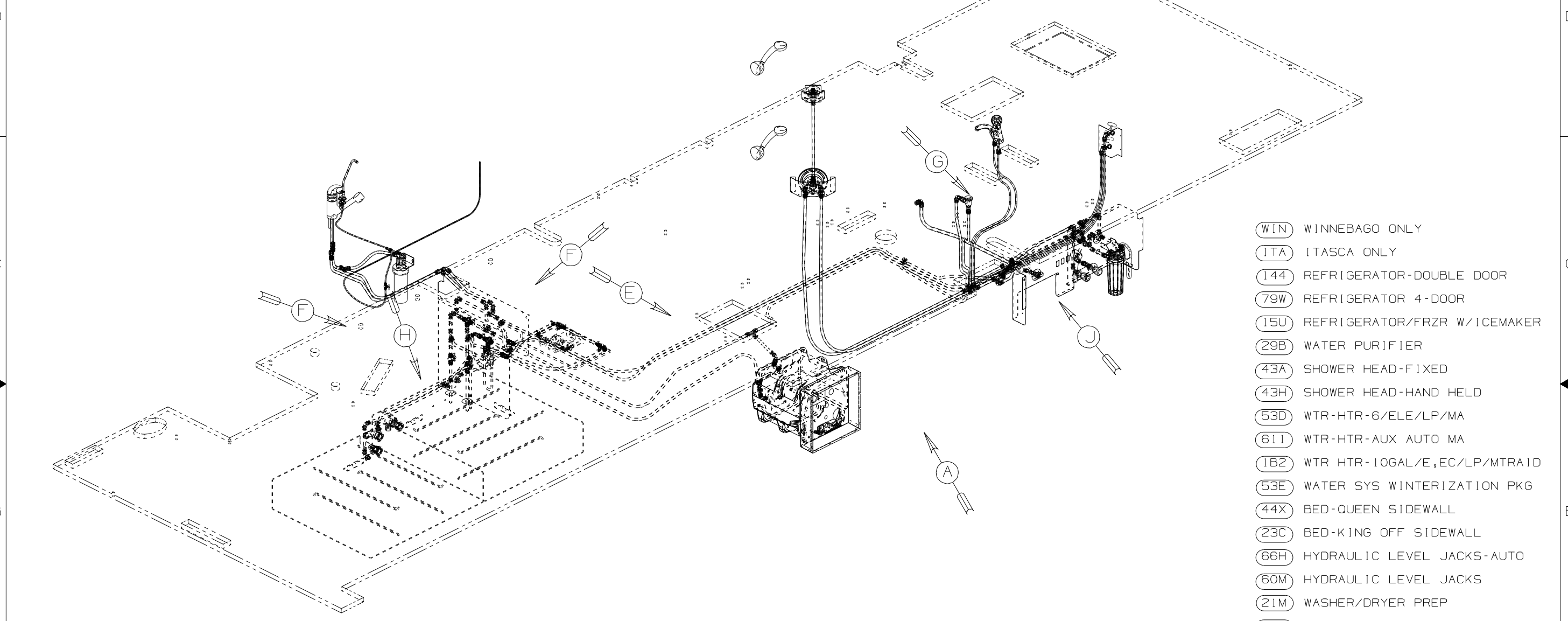


FIRST USED	07 G35L	
TITLE	DRAINAGE SYSTEM INSTL	
SHEET 3	PART NO 157395	REV
1 2/7/2007		

8 7 6 5 4 3 2 1

DWG NO  
157404-01 (WIN)  
157404-02 (ITA)

RELEASE	REV DATE	DWG NO
A		157404
REV ZONE	REVISION RECORD	DATE DFR-0R16



- (WIN) WINNEBAGO ONLY
- (ITA) ITASCA ONLY
- (144) REFRIGERATOR-DOUBLE DOOR
- (79W) REFRIGERATOR 4-DOOR
- (15U) REFRIGERATOR/FRZR W/ICEMAKER
- (29B) WATER PURIFIER
- (43A) SHOWER HEAD-FIXED
- (43H) SHOWER HEAD-HAND HELD
- (53D) WTR-HTR-6/ELE/LP/MA
- (611) WTR-HTR-AUX AUTO MA
- (1B2) WTR HTR-10GAL/E,EC/LP/MTRAIID
- (53E) WATER SYS WINTERIZATION PKG
- (44X) BED-QUEEN SIDEWALL
- (23C) BED-KING OFF SIDEWALL
- (66H) HYDRAULIC LEVEL JACKS-AUTO
- (60M) HYDRAULIC LEVEL JACKS
- (21M) WASHER/DRYER PREP
- (54E) WASHER/DRYER

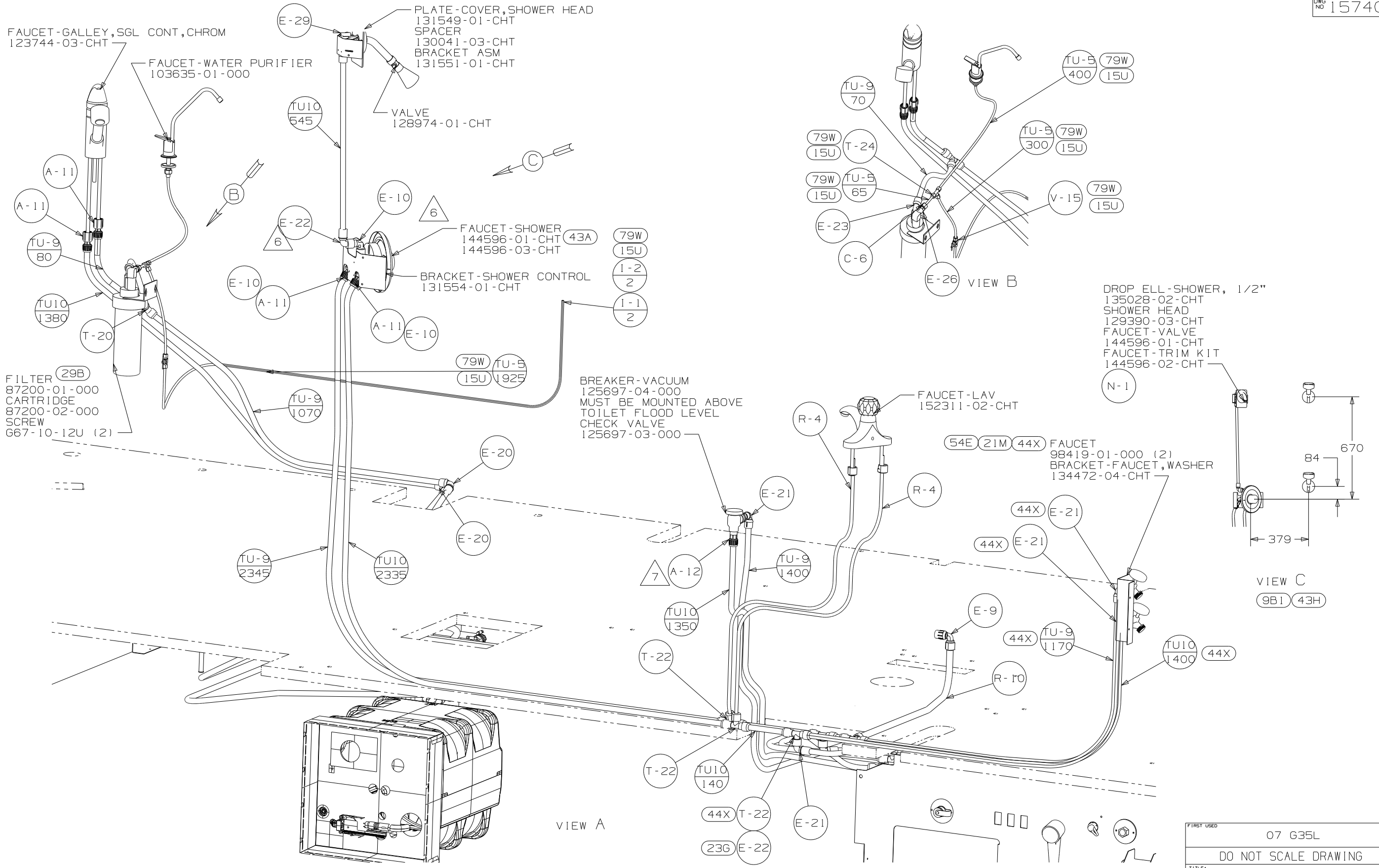
- △ 7 ADD TEFLON TAPE 10405-03-000.
  - △ 6 ADD TEFLON TAPE 10405-01-000.
  - △ 5 ADD TEFLON TAPE 10405-02-000.
  - △ 4 USED IN PLACE OF SUPPLIED SCREWS TO ATTACH BRACKET TO WALL.
3. ALL TUBING TO BE SECURED AT 1200 INTERVALS MAXIMUM WITH CLAMP 10495-01-000 AND SCREW G67-10-12B OR EQUIVALENT.
  2. TUBING TO BE INSTALLED WITH SUFFICIENT SLOPE TO PROVIDE DRAINAGE TO NEAREST VALVE.
  1. PLASTIC FITTINGS TO BE SEALED WITH SEALANT 84456-01-000.

NOTES:

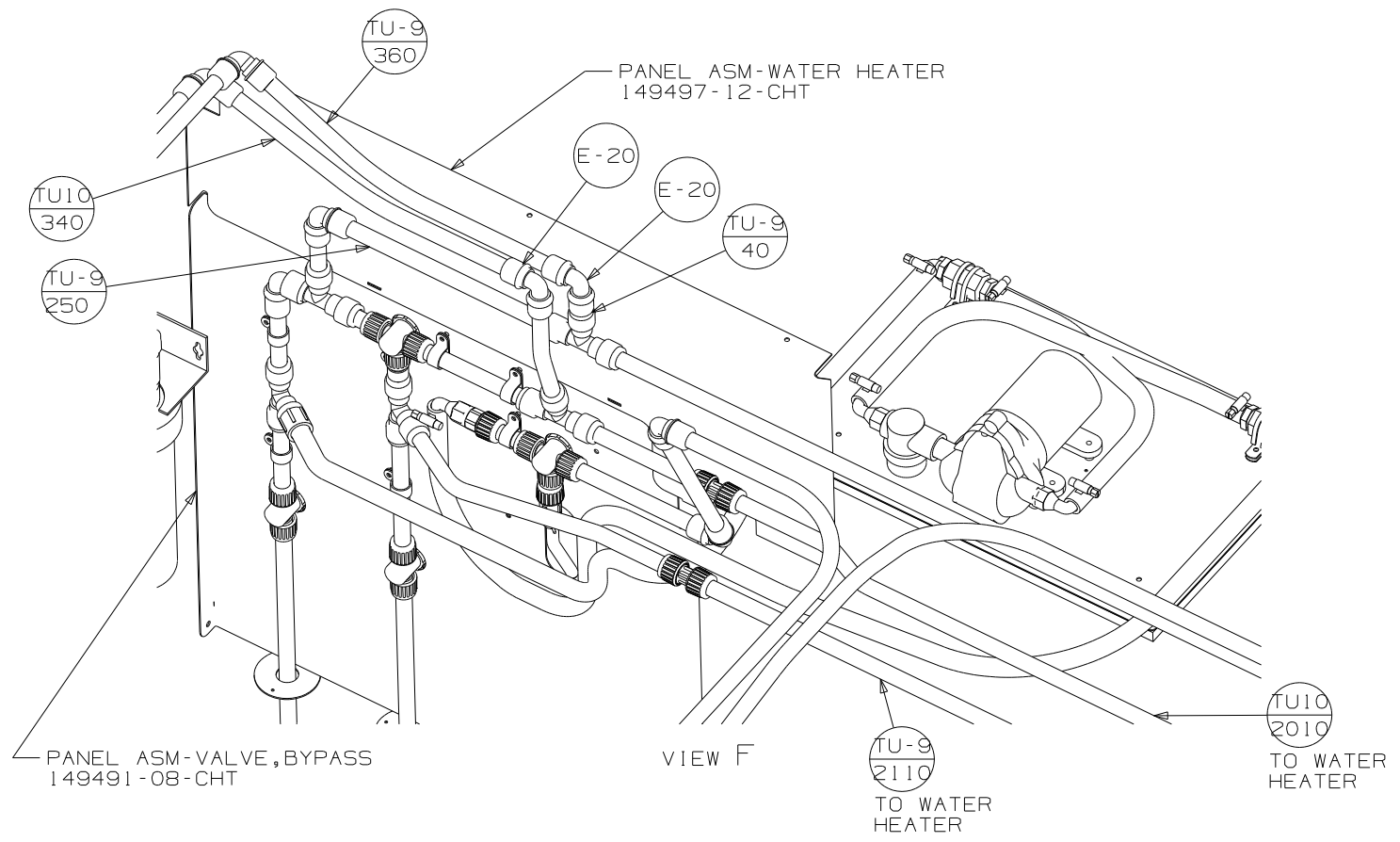
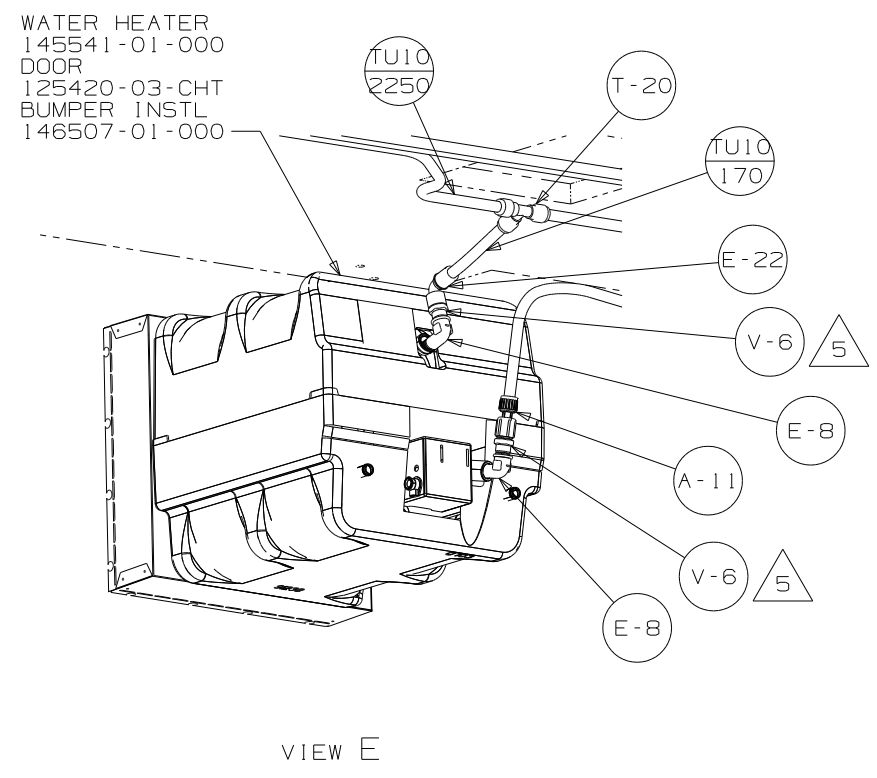
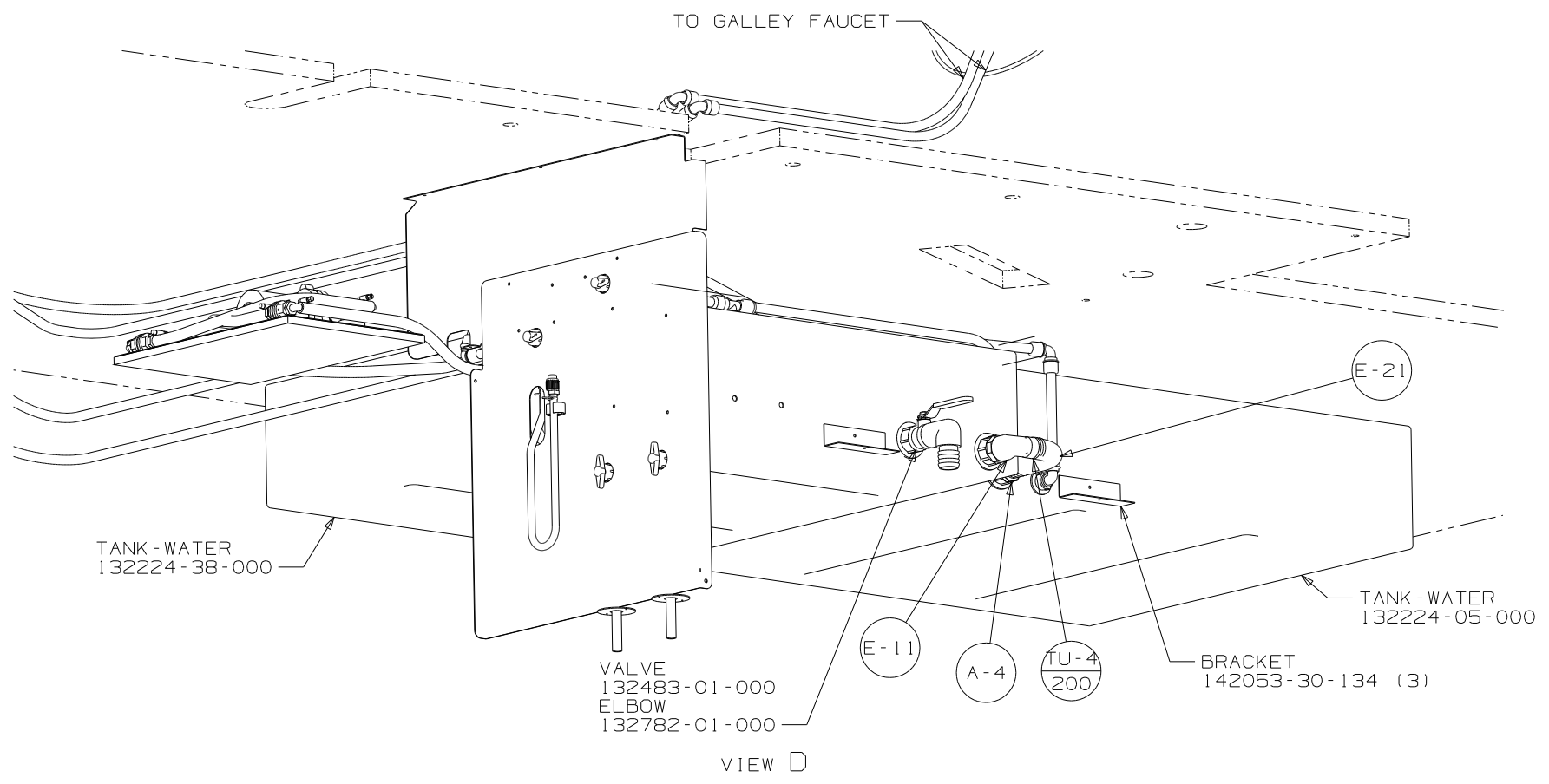
(X-X)  
FOR WATER CALLOUTS SEE DWG NO 116230-01-000

<b>WINNEBAGO</b>		COPYRIGHT 2006 WINNEBAGO INDUSTRIES, INC.	
DFTR	ORIG. DATE	ALL DIMENSIONS ARE IN MILLIMETERS	
CHKR		MATERIAL:	
P.E.		UNSPECIFIED TOLERANCES ARE:	
M.E.	FIRST USED	WHOLE DIM (X) :	7
DSNR	07 G35L	ONE-PLACE (X.X) :	
		TWO-PLACE (X.XX) :	
		ANGLE :	
THIRD ANGLE PROJECTION			
DO NOT SCALE DRAWING			
TITLE: WATER SYSTEM INSTL			
SHEET 1 OF 4	PART NO 157404	REV	
REF:		1 10/18/2006	

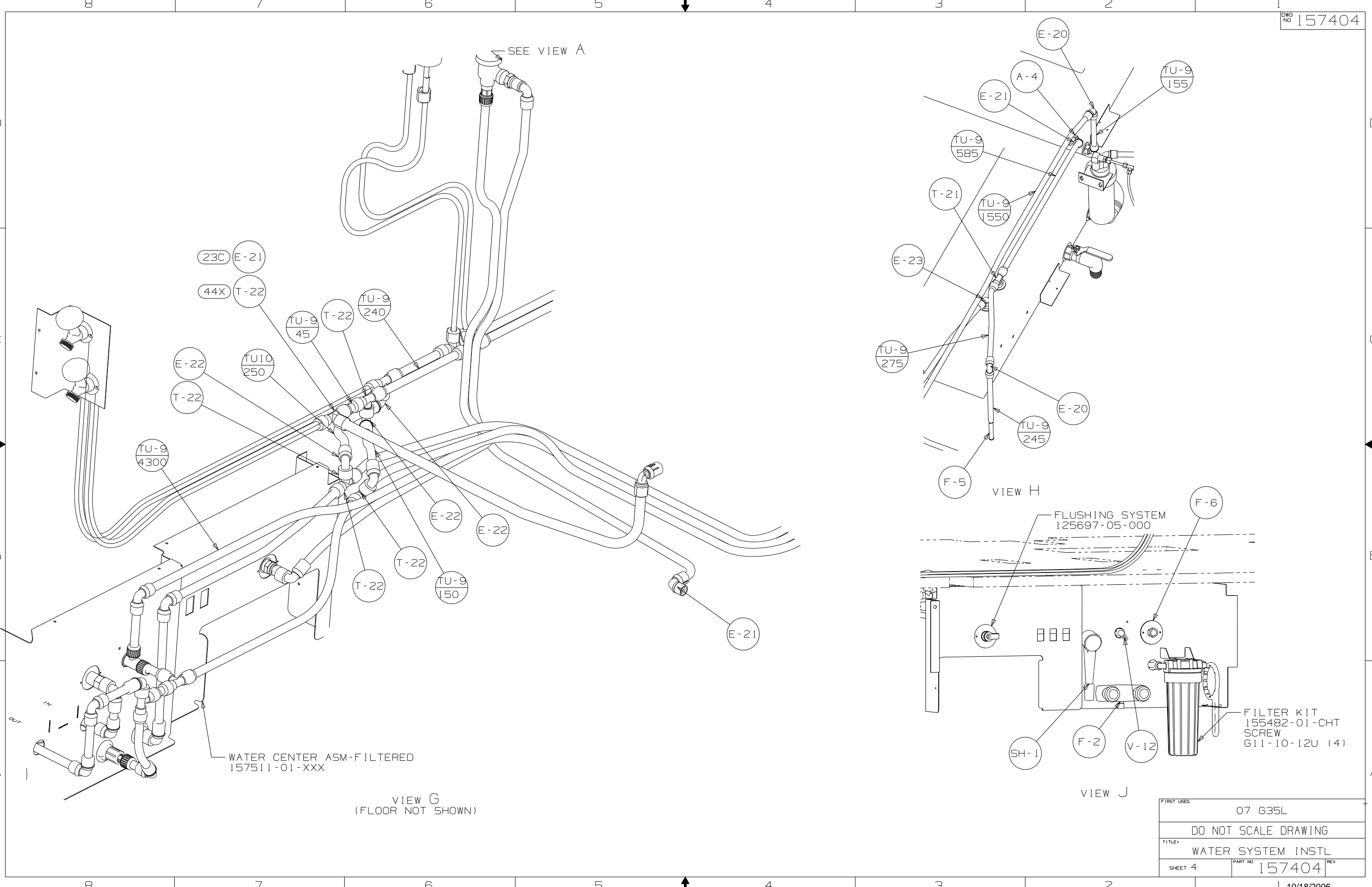
8 7 6 5 4 3 2 1



FIRST USED	07 G35L	
TITLE	DO NOT SCALE DRAWING	
TITLE	WATER SYSTEM INSTL	
SHEET 2	PART NO	157404
REV		



FIRST USED	07 G35L	
TITLE	DO NOT SCALE DRAWING	
SHEET 3	PART NO	157404
	REV	



SEE VIEW A

23C E-21

44X T-22

E-22

T-22

TU-9  
4300

TU10  
250

TU-9  
45

T-22

TU-9  
240

E-22

E-22

T-22

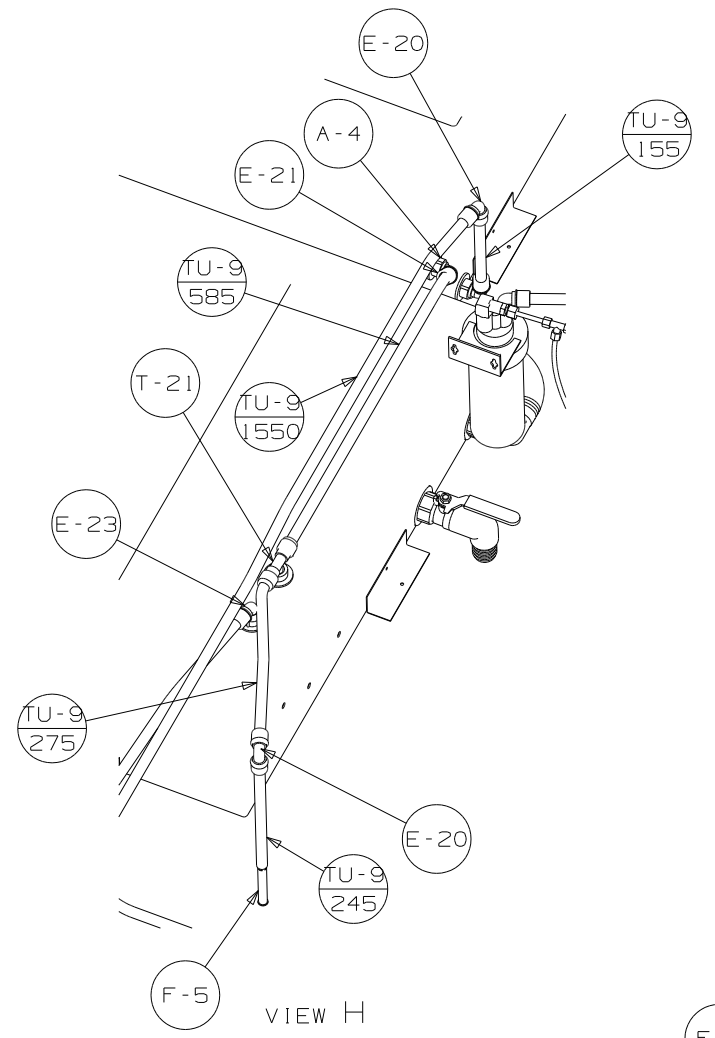
T-22

TU-9  
150

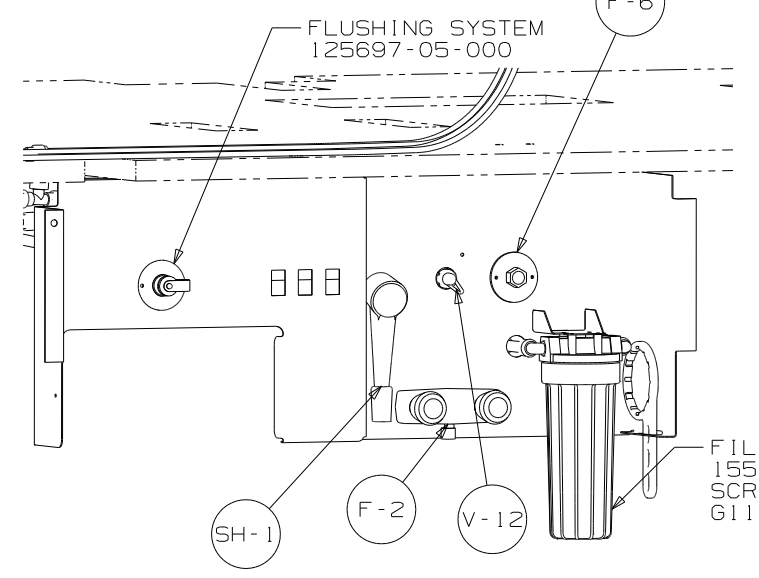
E-21

WATER CENTER ASM-FILTERED  
157511-01-XXX

VIEW G  
(FLOOR NOT SHOWN)



VIEW H



VIEW J

FIRST USED	07 G35L	
TITLE	DO NOT SCALE DRAWING	
TITLE	WATER SYSTEM INSTL	
SHEET 4	PART NO	157404
	REV	