



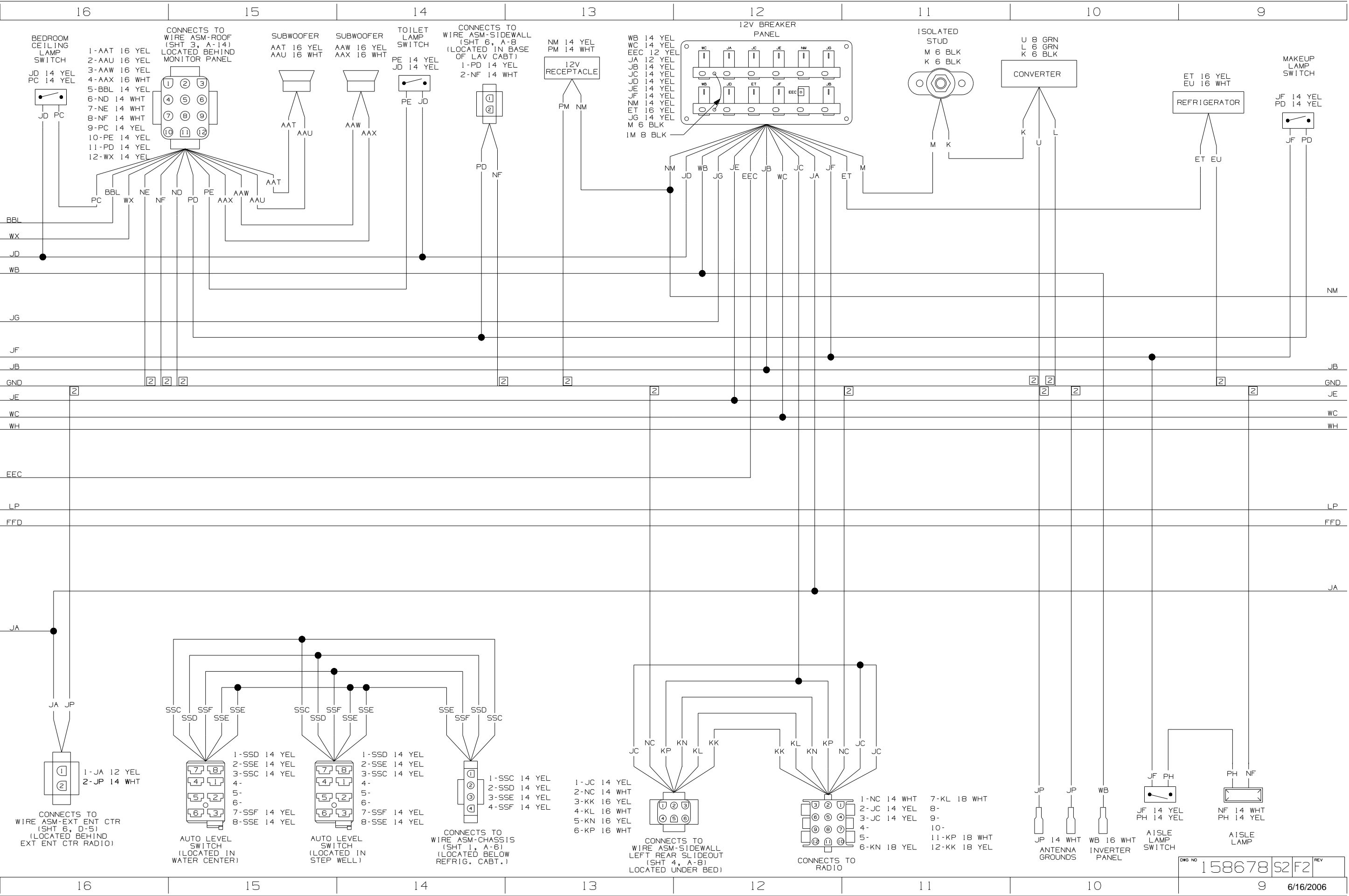
DANGER

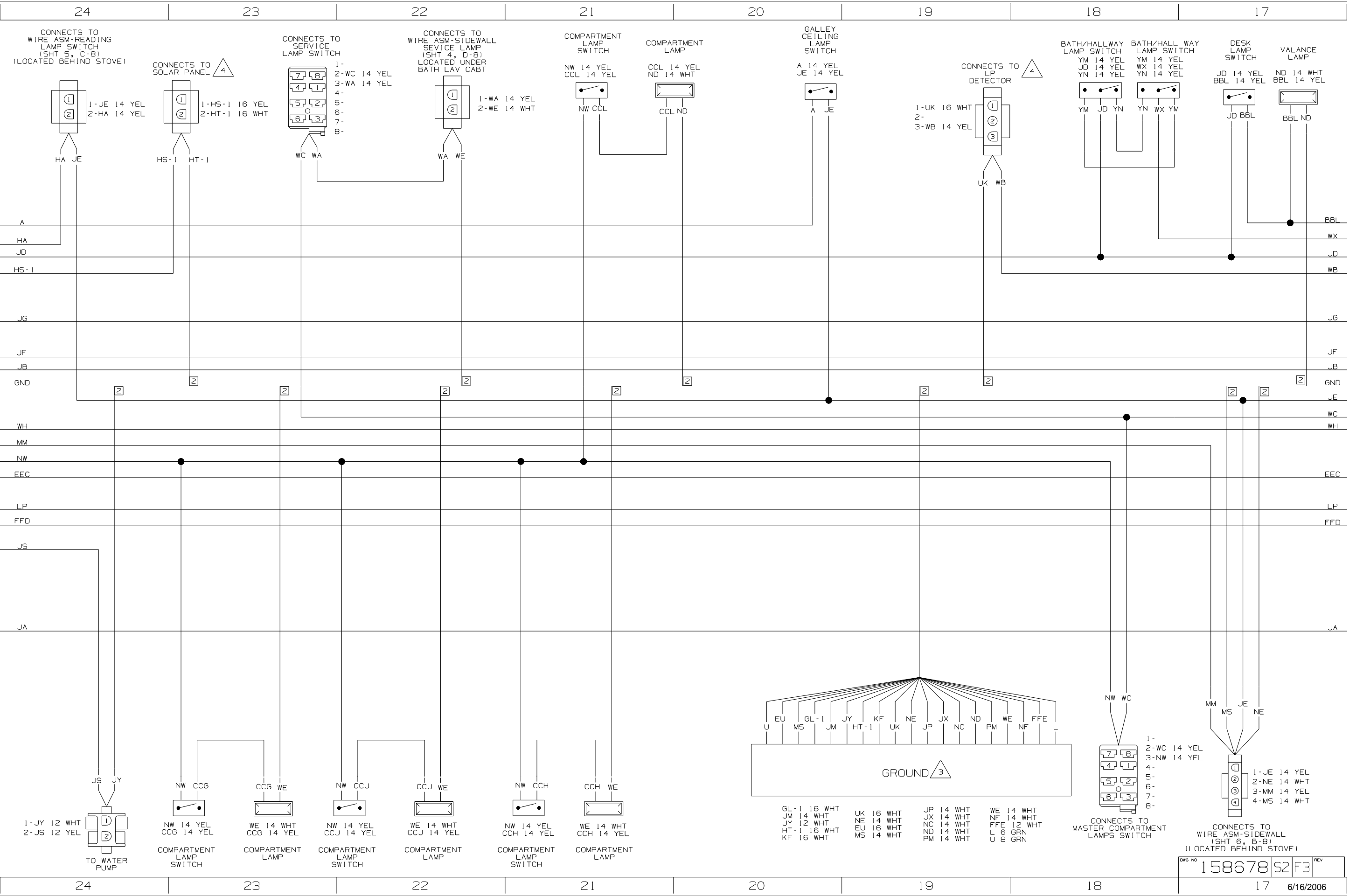
Danger of electrical shock, burns or death. Always remove all power sources before attempting any repair, service or diagnostic work. Power can be present from shore power, generator, inverter or battery. All power sources must be disabled and secured before performing any service.

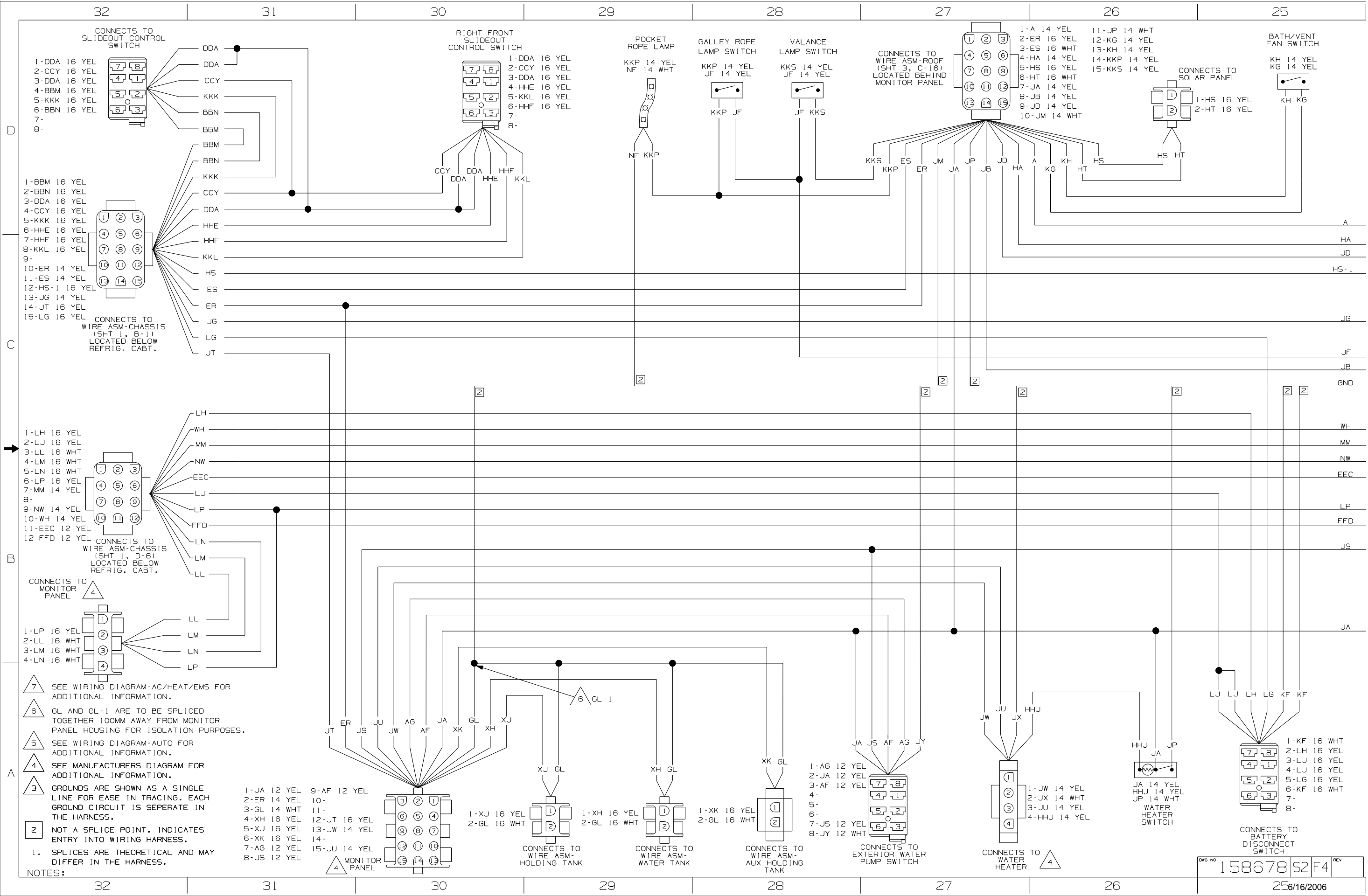


CAUTION

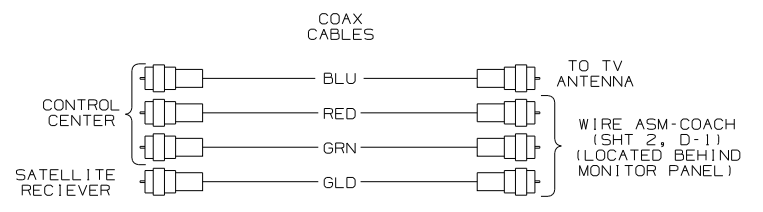
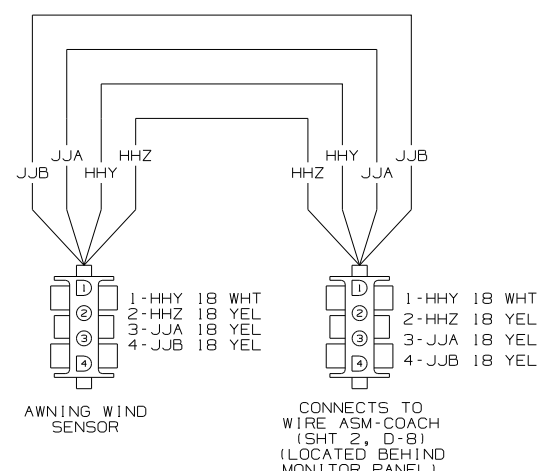
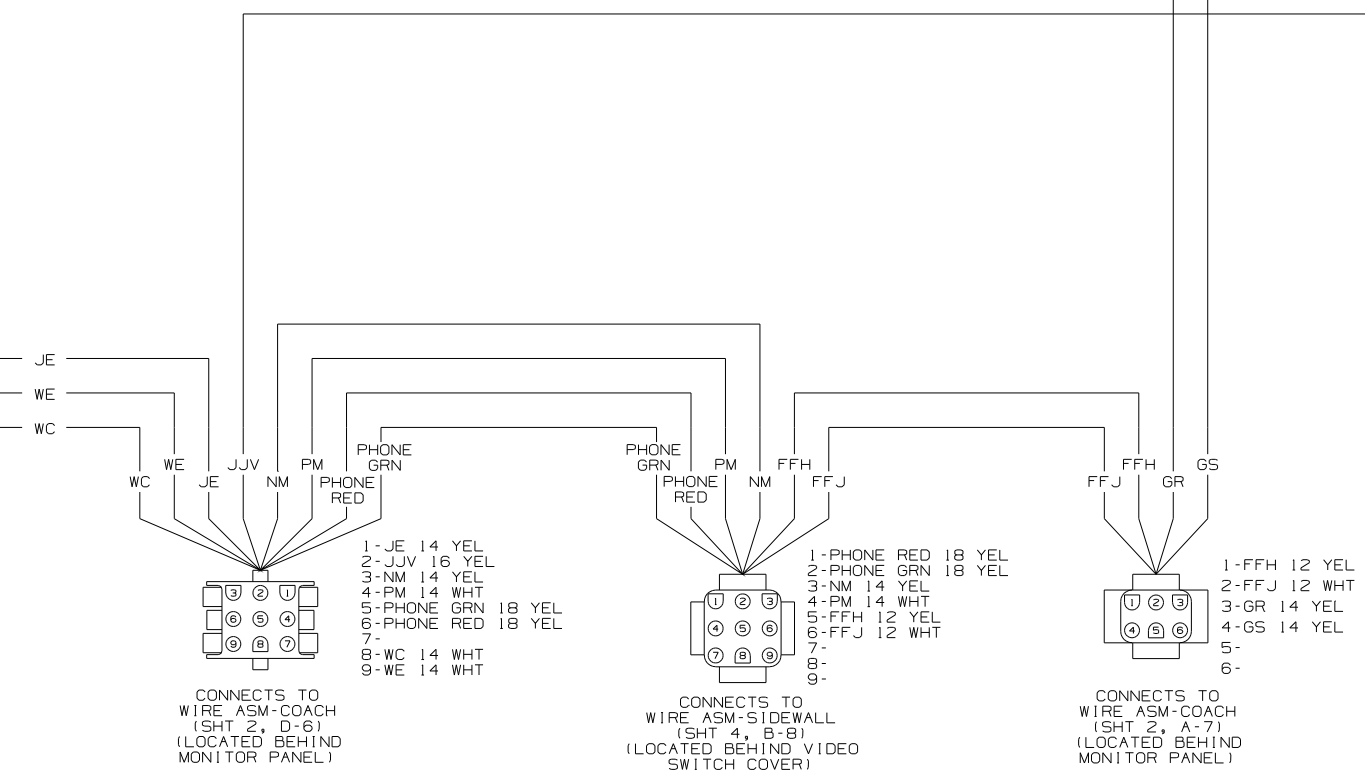
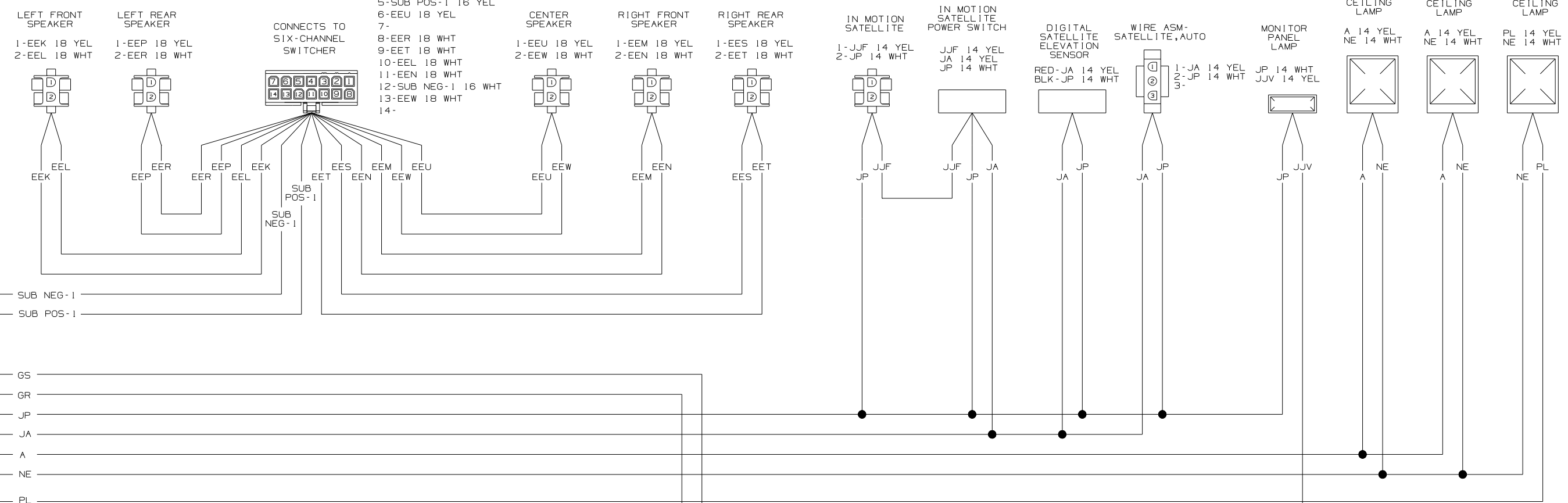
If you lack the skills, tools or equipment to perform diagnostic or repair work leave such work to an authorized Winnebago Industries dealer or other qualified shop.







- 1-EEP 18 YEL
- 2-EES 18 YEL
- 3-EEK 18 YEL
- 4-EEM 18 YEL
- 5-SUB POS-1 16 YEL
- 6-EEU 18 YEL
- 7-
- 8-EER 18 WHT
- 9-EET 18 WHT
- 10-EEL 18 WHT
- 11-EEN 18 WHT
- 12-SUB NEG-1 16 WHT
- 13-EEW 18 WHT
- 14-



WIRING DIAGRAM-ROOF
(WIRE ASM-158722 REV D)

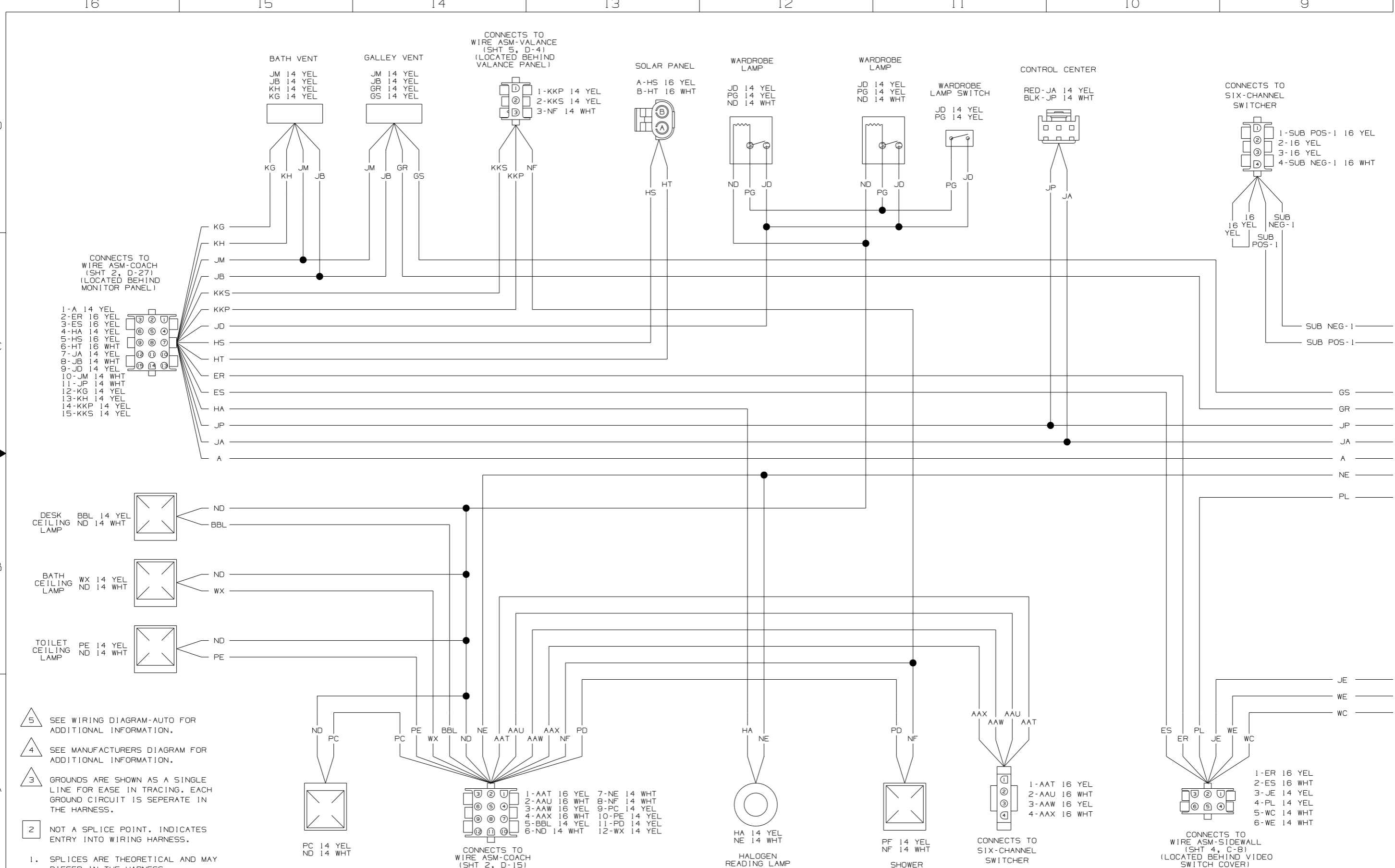
FIRST USED	07 G35A	
TITLE	DO NOT SCALE DRAWING	
	WIRING DIAGRAM-BODY, 12V	
SHEET 3	PART NO	158678

D

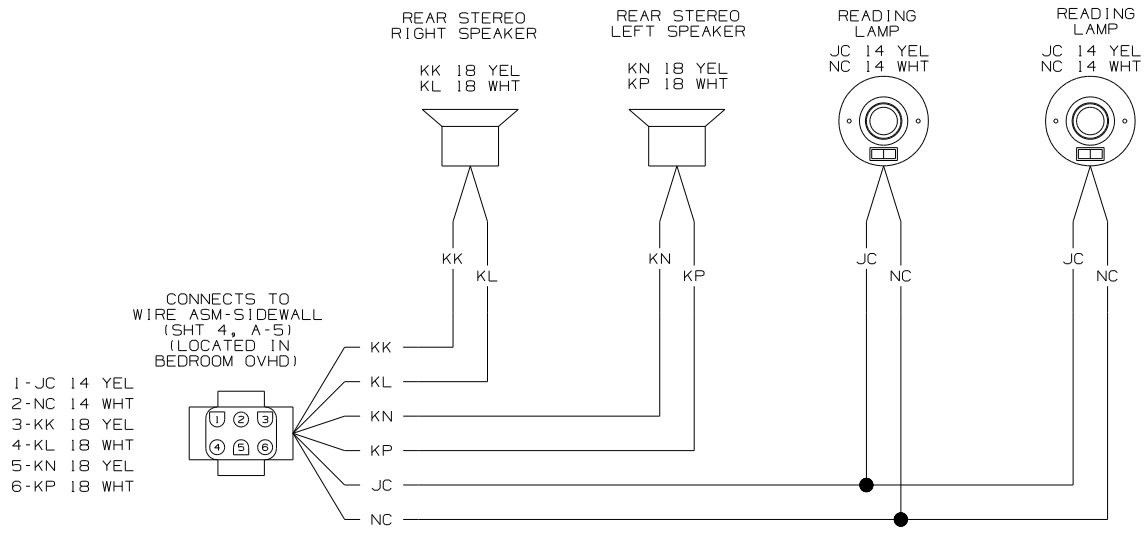
C

B

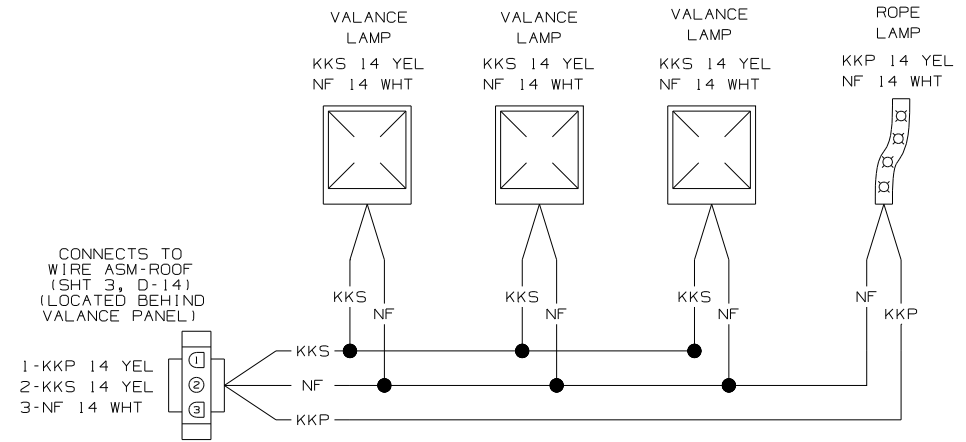
A



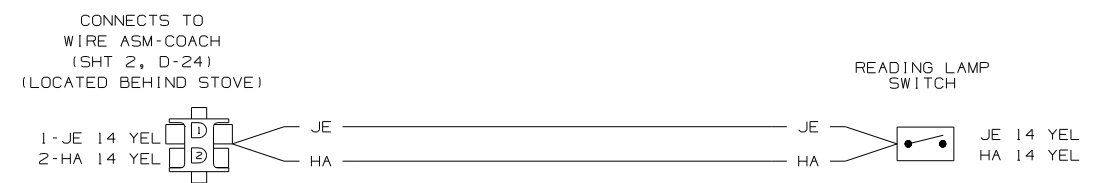
- NOTES:
- 5 SEE WIRING DIAGRAM-AUTO FOR ADDITIONAL INFORMATION.
 - 4 SEE MANUFACTURERS DIAGRAM FOR ADDITIONAL INFORMATION.
 - 3 GROUNDS ARE SHOWN AS A SINGLE LINE FOR EASE IN TRACING. EACH GROUND CIRCUIT IS SEPERATE IN THE HARNESS.
 - 2 NOT A SPLICE POINT. INDICATES ENTRY INTO WIRING HARNESS.
 - 1. SPLICES ARE THEORETICAL AND MAY DIFFER IN THE HARNESS.



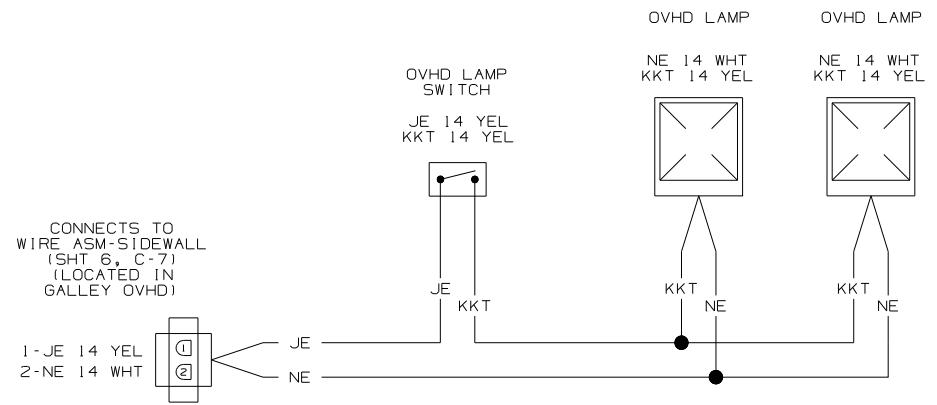
WIRING DIAGRAM-OVHD (WIRE ASM-157942 REV-A)



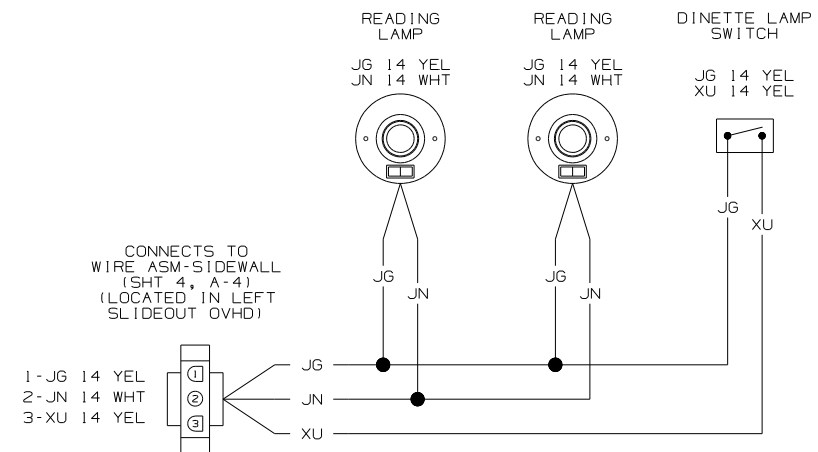
WIRING DIAGRAM-VALANCE (WIRE ASM-150814 REV-A)



WIRING DIAGRAM-READING LAMP SWITCH (WIRE ASM-150865 REV-B)



WIRING DIAGRAM-OVHD,SLIDEOUT (WIRE ASM-150864 REV-A)

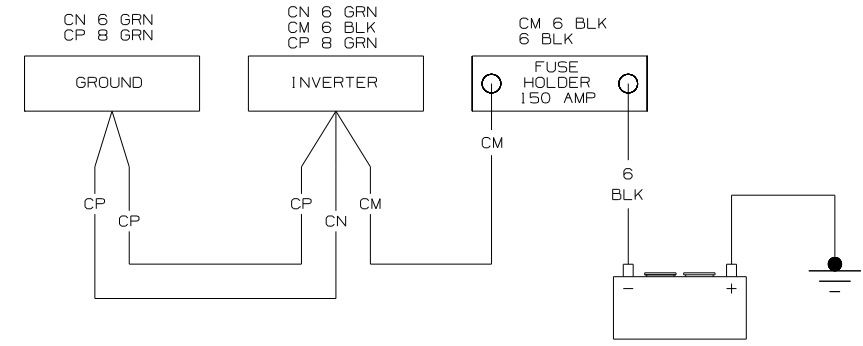


WIRING DIAGRAM-OVHD (WIRE ASM-153451 REV-A)

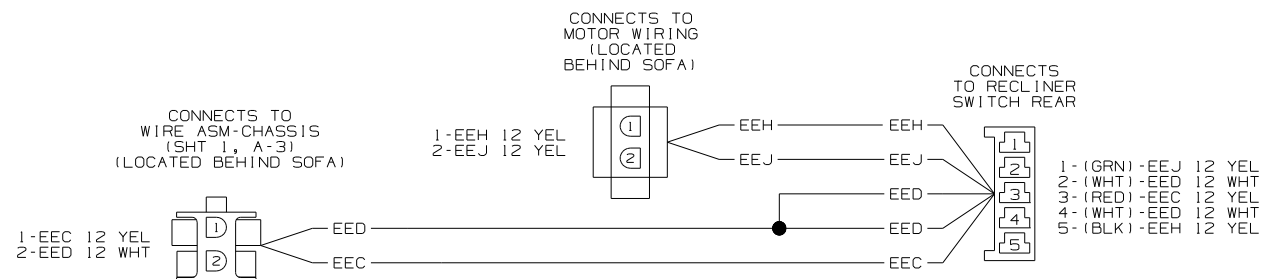


WIRING DIAGRAM-OVHD,SLIDEOUT (WIRE ASM-133572 REV-F)

FIRST USED	07 G35A
TITLE	DO NOT SCALE DRAWING
TITLE	WIRING DIAGRAM-BODY, 12V
SHEET 5	PART NO 158678 REV



WIRING DIAGRAM- INVERTER
(WIRE ASM 154845 REV C)



WIRING DIAGRAM-SOFA,REST EASY
(WIRE ASM 136028 REV-B)

FIRST USED	07 G35A		
TITLE	DO NOT SCALE DRAWING		
	WIRING DIAGRAM-BODY, 12V		
SHEET 7	PART NO	158678	REV