



**DANGER**

**Danger of electrical shock, burns or death.** Always remove all power sources before attempting any repair, service or diagnostic work. Power can be present from shore power, generator, inverter or battery. All power sources must be disabled and secured before performing any service.

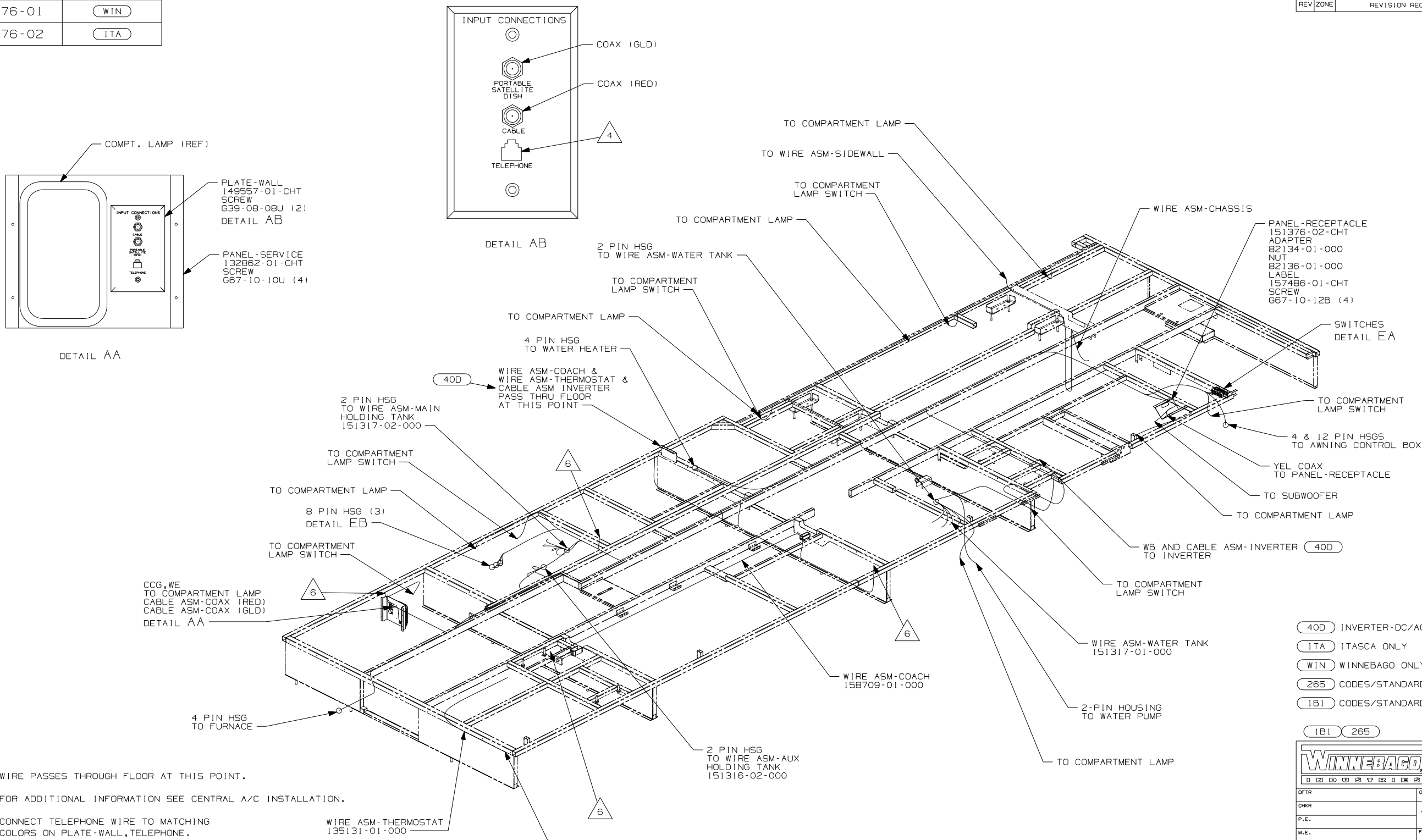


**CAUTION**

If you lack the skills, tools or equipment to perform diagnostic or repair work leave such work to an authorized Winnebago Industries dealer or other qualified shop.

DRAWING NO.	FEATURE
158676-01	(WIN)
158676-02	(ITA)

RELEASE	REV/DATE	DWG NO	158676
REV ZONE	REVISION RECORD	DATE	DFTR-ORIG



- 6 WIRE PASSES THROUGH FLOOR AT THIS POINT.
- 5 FOR ADDITIONAL INFORMATION SEE CENTRAL A/C INSTALLATION.
- 4 CONNECT TELEPHONE WIRE TO MATCHING COLORS ON PLATE-WALL, TELEPHONE.

3. ROUTE TANK SENSOR WIRES SO THEY DO NOT PASS OVER SENSORS. USE WIRE TIE MOUNT 155366-01-000 AND WIRE TIE 8343-01-000 AS NEEDED. TANK SURFACE MUST BE CLEANED USING ISOPROPYL ALCOHOL AND PRIME WITH PRIMER 94
2. SEE WIRING DIAGRAM-BODY, 12V FOR ADDITIONAL INFORMATION.

1. ALL WIRES TO BE CLAMPED WITH CLAMP 104495-01-000 OR WIRE TIE 8343-02-000 EVERY 600MM, UNLESS OTHERWISE SPECIFIED.

NOTES:

FOR ELECTRICAL TORQUE SPECIFICATIONS SEE DWG NO. 128783-01-000

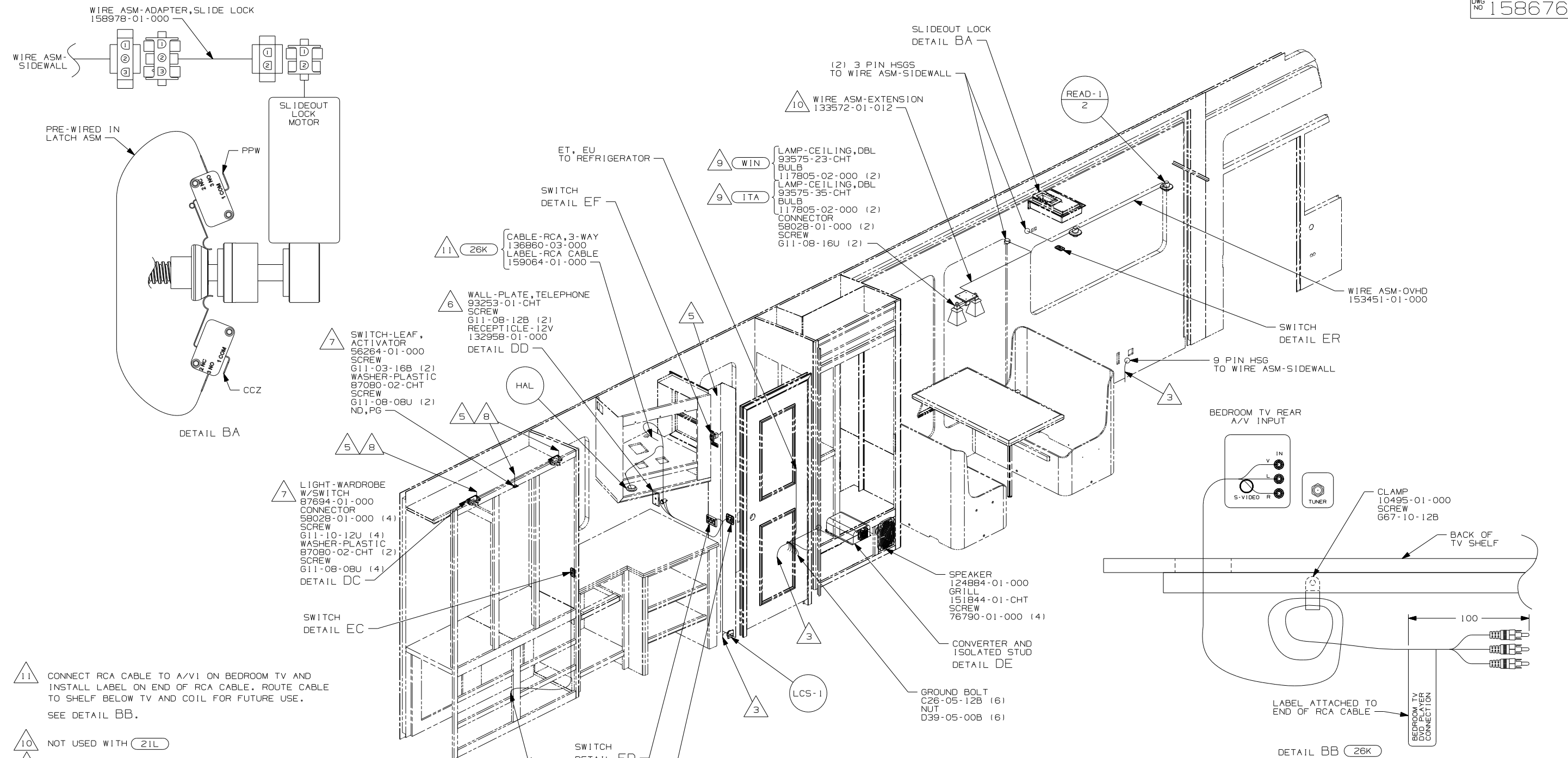
(X-X) FOR ELECTRICAL CALLOUTS SEE DWG NO. 121339-01-000

		COPYRIGHT 2006 WINNEBAGO INDUSTRIES, INC.
DFTR	ORIG. DATE	
CHKR	ALL DIMENSIONS ARE IN MILLIMETERS	
P.E.		
M.E.	FIRST USED	
DSNR	07 G35A	
UNSPECIFIED TOLERANCES ARE:		MATERIAL:
WHOLE DIM (X)	: 3	
ONE-PLACE (X.X)	: 1.5	
TWO-PLACE (X.XX)	: 0.50	
ANGLE	: 1°	
THIRD ANGLE PROJECTION		

DO NOT SCALE DRAWING

TITLE:	WIRING INSTL-BODY, 12V
SHEET 1 OF 7	PART NO 158676 REV

REF: 1 2/20/2007



11. CONNECT RCA CABLE TO A/V1 ON BEDROOM TV AND INSTALL LABEL ON END OF RCA CABLE. ROUTE CABLE TO SHELF BELOW TV AND COIL FOR FUTURE USE. SEE DETAIL BB.

- 10. NOT USED WITH 21L
- 9. LAMP IS MOUNTED TO SLIDEOUT ROOF WITH 21L
- 8. ADD CONDUIT 41953-07 TO WIRE OUT OF ROOF.
- 7. MOUNT LIGHT AS CLOSE TO WIRE DROP FROM ROOF AS POSSIBLE.
- 6. CONNECT TELEPHONE WIRE TO MATCHING COLORS ON PLATE-WALL, TELEPHONE.
- 5. WIRE IN ROOF.
- 4. WIRE IN SIDEWALL.
- 3. WIRE PASSES THROUGH FLOOR AT THIS POINT.

2. SEE WIRING DIAGRAM-BODY, 12V FOR ADDITIONAL INFORMATION.

1. ALL WIRES TO BE CLAMPED WITH CLAMP 104495-01-000 OR WIRE TIE 8343-02-000 EVERY 600MM.

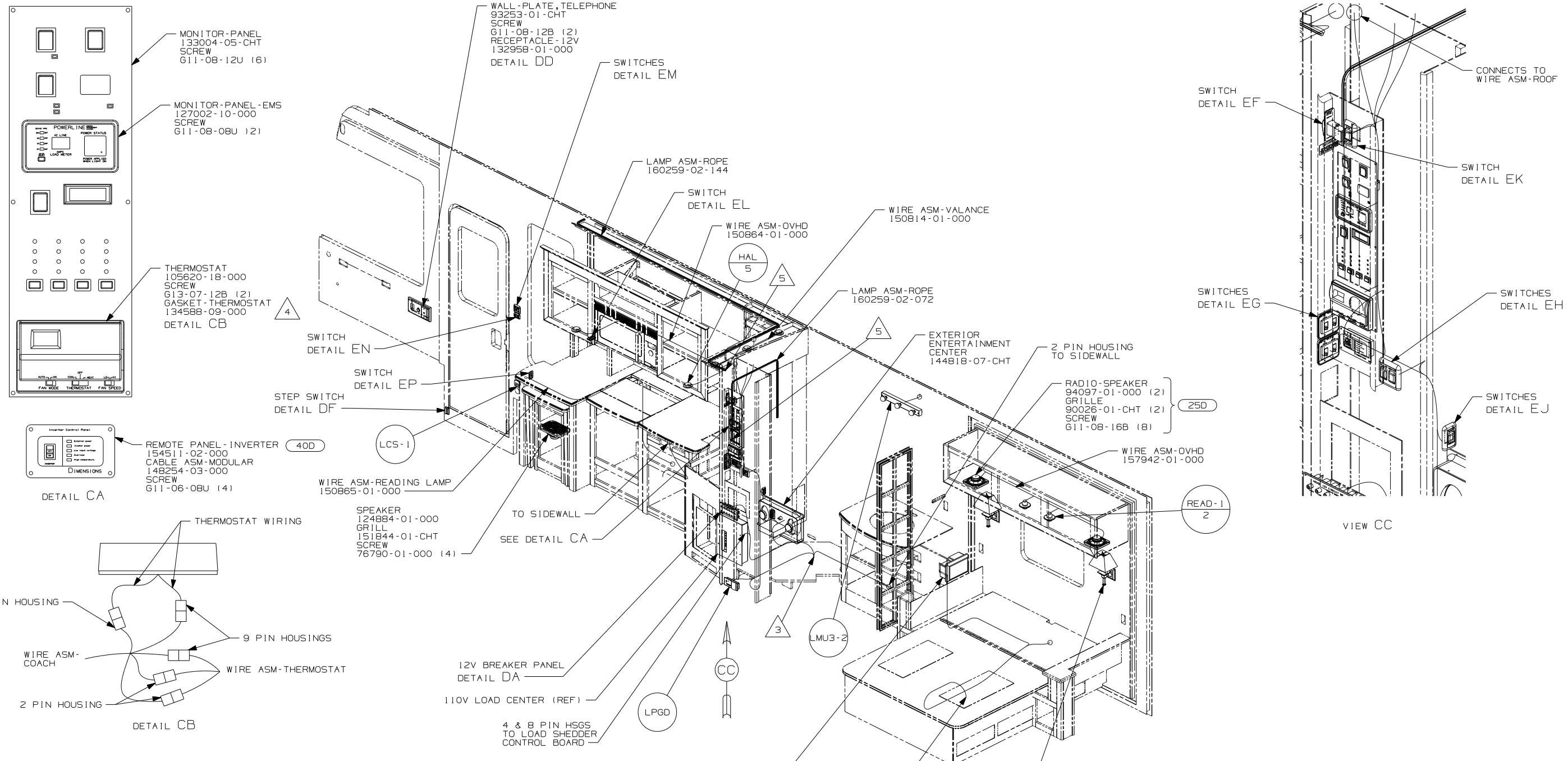
NOTES:

- 26K REAR STEREO SYSTEM WITHOUT
- ITA ITASCA ONLY
- WIN WINNEBAGO ONLY
- 265 CODES/STANDARDS-CSA/CMVSS
- 1B1 CODES/STANDARDS USA

FIRST USED	07 G35A
TITLE:	DO NOT SCALE DRAWING
	WIRING INSTL-BODY, 12V
SHEET 2	PART NO 158676 REV

FOR ELECTRICAL TORQUE SPECIFICATIONS SEE DWG NO. 128783-01-000

X-X FOR ELECTRICAL CALLOUTS SEE DWG NO. 121339-01-000



- △ 6 LAMP SHADE SHALL BE AT LEAST 150MM BELOW OVHD CABINET
  - △ 5 PLACE CONNECTOR HERE TO MAKE CONNECTION TO WIRE ASM, USE CONNECTOR 58028-01-000 (2).
  - △ 4 INSTALL GASKET ON BACK SIDE OF ONE PLACE AFTER INSTALLATION OF THERMOSTAT, MAKING SURE THAT THE GASKET COVERS AND SEALS THE HOLE THAT THE WIRES PASS THROUGH.
  - △ 3 WIRE PASSES THROUGH FLOOR AT THIS POINT.
2. SEE WIRING DIAGRAM-BODY,12V FOR ADDITIONAL INFORMATION.
1. ALL WIRES TO BE CLAMPED WITH CLAMP 104495-01-000 OR WIRE TIE 8343-02-000 EVERY 600MM, UNLESS OTHERWISE SPECIFIED.

NOTES:

250 RADIO-WALL MT, DVD/CD/W ALARM 163031-01-CHT SCREW 76790-03-000 (4)

6 WIN LAMP-WALL 119258-37-CHT (2) BULB 67479-01-000 (4) SHADE-LAMP J19257-18-CHT (2) LAMP-WALL 119258-45-CHT (2) BULB 067479-01-000 (4) SHADE-LAMP J19257-16-CHT (2) SCREW 667-10-24J (4) CONNECTOR 058028-01-000 (4)

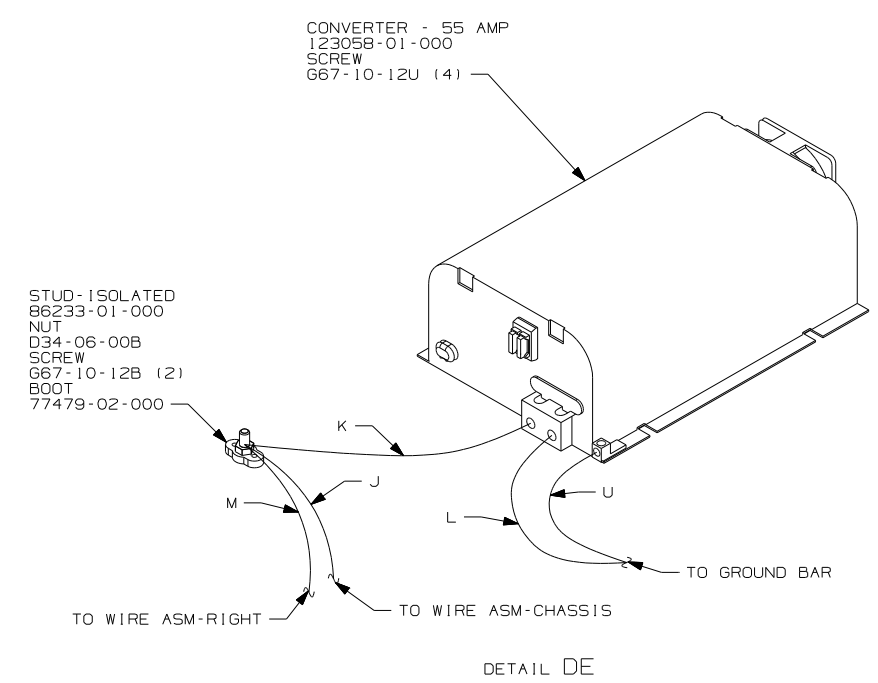
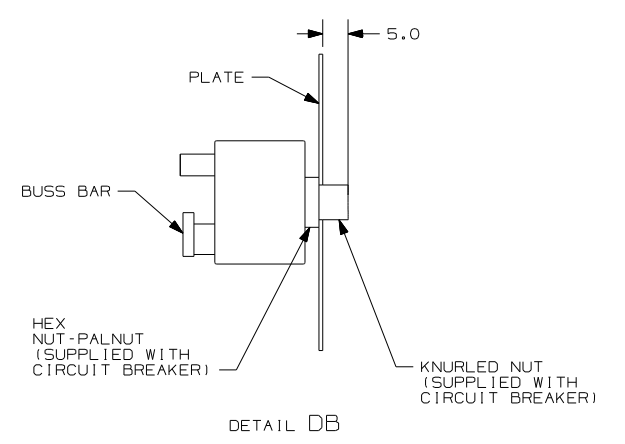
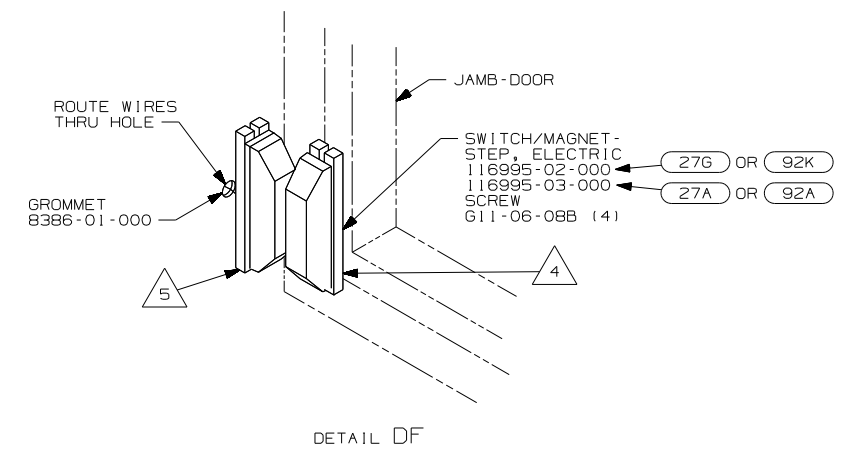
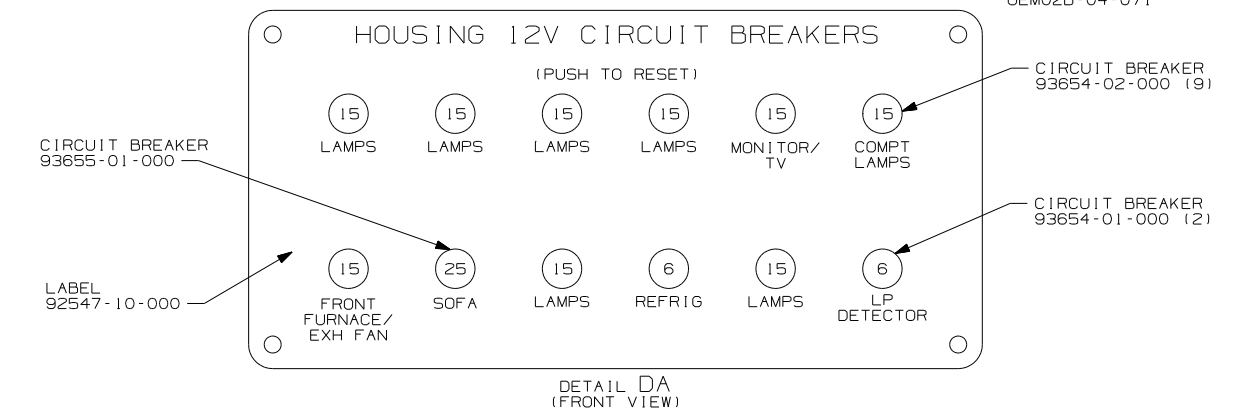
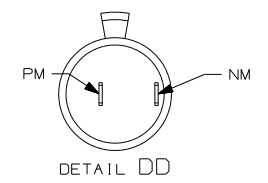
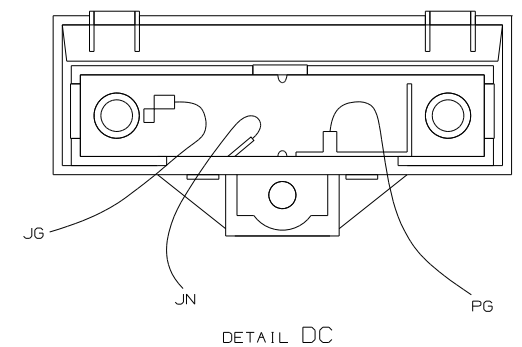
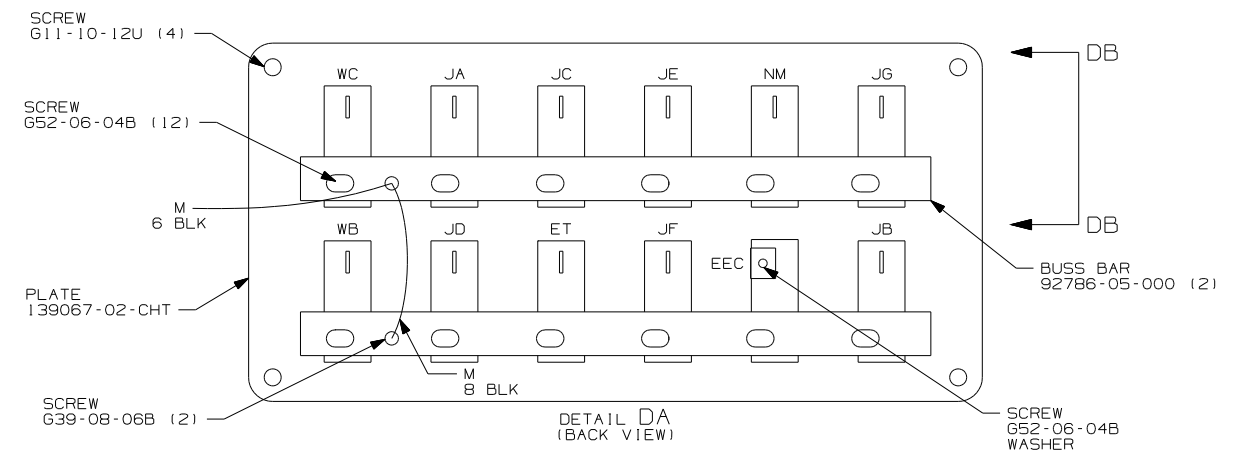
6 ITA

FOR ELECTRICAL TORQUE SPECIFICATIONS SEE DWG NO. 128783-01-000

X-X FOR ELECTRICAL CALLOUTS SEE DWG NO. 121339-01-000

- 40D INVERTER-DC/AC,600 WATT
- 25D STEREO SYSTEM/W/CD/DVD REAR
- ITA ITASCA ONLY
- WIN WINNEBAGO ONLY
- 265 CODES/STANDARDS-CSA/CMVSS
- 1B1 CODES/STANDARDS USA

FIRST USED	07 G35A
DO NOT SCALE DRAWING	
TITLE:	WIRING INSTL-BODY,12V
SHEET 3	PART NO 158676 REV



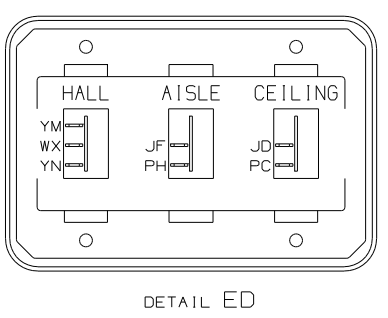
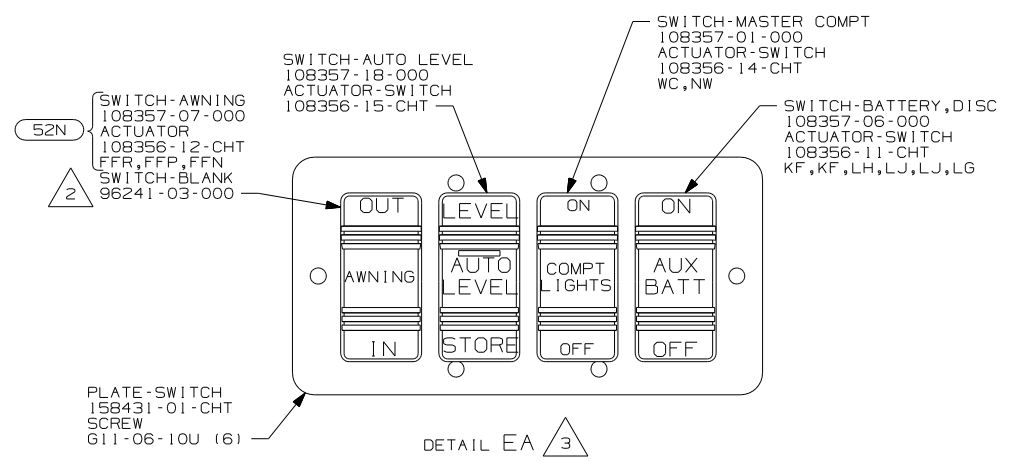
- NOTES:
- ALL WIRES TO BE CLAMPED WITH CLAMP 104495-01-000 OR WIRE TIE 8343-02-000 EVERY 600MM, UNLESS OTHERWISE SPECIFIED.
  - SEE WIRING DIAGRAM-BODY,12V FOR ADDITIONAL INFORMATION.

- 92K EXTERIOR GRAPHICS PACKAGE #2
- 92A EXT FULL BODY PAINT PKG # 2
- 27G EXTERIOR GRAPHICS PACKAGE #1
- 27A EXT FULL BODY PAINT PKG #1
- 265 CODES/STANDARDS-CSA/CMVSS
- 1B1 CODES/STANDARDS USA

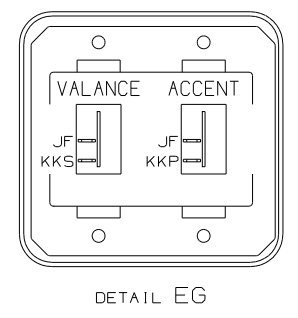
FOR ELECTRICAL TORQUE SPECIFICATIONS SEE DWG NO. 128783-01-000

FOR ELECTRICAL CALLOUTS SEE DWG NO. 121339-01-000

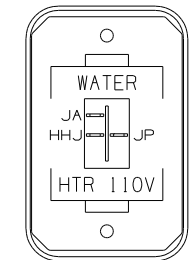
FIRST USED	07 G35A	
TITLE	DO NOT SCALE DRAWING	
	WIRING INSTL-BODY, 12V	
SHEET 4	PART NO	158676
	REV	



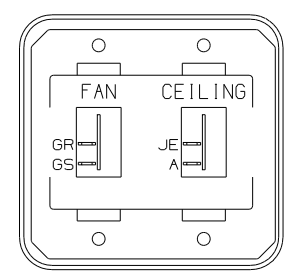
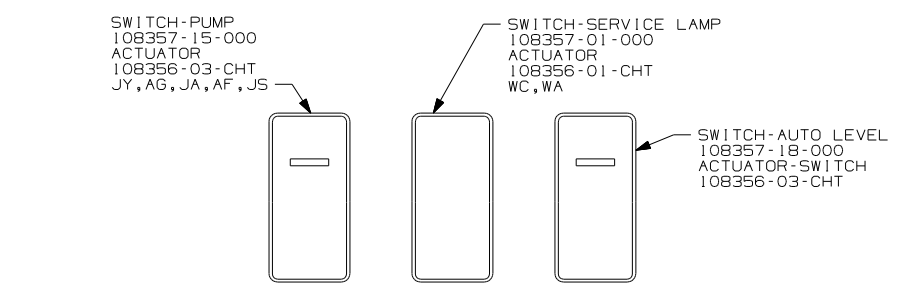
SWITCH-ROCKER  
135740-01-CHT (2)  
135740-02-CHT  
SWITCH-BASE  
135741-03-CHT  
SWITCH-BEZEL  
135742-25-CHT  
SCREW  
611-08-08U (4)



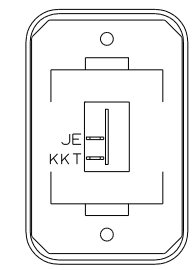
SWITCH-ROCKER  
135740-01-CHT (2)  
SWITCH-BASE  
135741-02-CHT  
SWITCH-BEZEL  
135742-36-CHT  
SCREW  
611-08-08U (4)



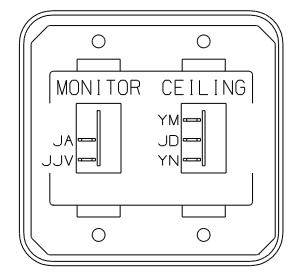
SWITCH-ROCKER  
135740-06-CHT  
SWITCH-BASE  
135741-01-CHT  
SWITCH-BEZEL  
135742-35-CHT  
SCREW  
611-08-08U (2)



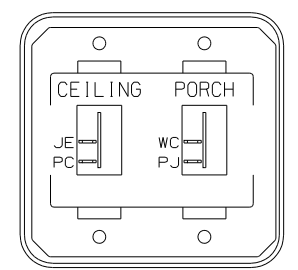
SWITCH-ROCKER  
135740-01-CHT (2)  
SWITCH-BASE  
135741-02-CHT  
SWITCH-BEZEL  
135742-33-CHT  
SCREW  
611-08-08U (4)



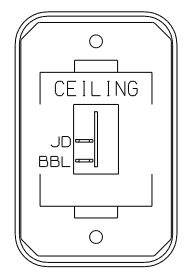
SWITCH-ROCKER  
135740-01-CHT  
SWITCH-BASE  
135741-01-CHT  
SWITCH-BEZEL  
135742-01-CHT  
SCREW  
611-08-08U (2)



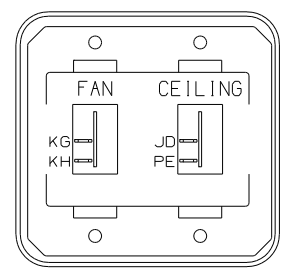
SWITCH-ROCKER  
135740-01-CHT  
135740-02-CHT  
SWITCH-BASE  
135741-02-CHT  
SWITCH-BEZEL  
135742-31-CHT  
SCREW  
611-08-08U (4)



SWITCH-ROCKER  
135740-01-CHT (2)  
SWITCH-BASE  
135741-02-CHT  
SWITCH-BEZEL  
135742-19-CHT  
SCREW  
611-08-08U (4)



SWITCH-ROCKER  
135740-01-CHT  
SWITCH-BASE  
135741-01-CHT  
SWITCH-BEZEL  
135742-07-CHT  
SCREW  
611-08-08U (2)



SWITCH-ROCKER  
135740-01-CHT (2)  
SWITCH-BASE  
135741-02-CHT  
SWITCH-BEZEL  
135742-33-CHT  
SCREW  
611-08-08U (4)

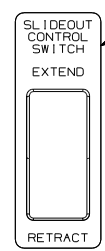
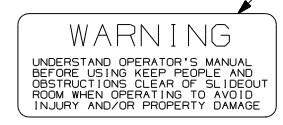
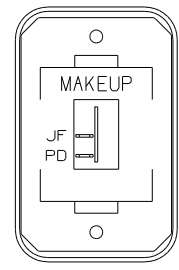


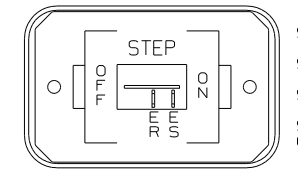
PLATE-SWITCH  
144363-09-CHT  
SWITCH  
108357-06-000  
ACTUATOR  
108356-01-CHT  
NUT  
D65-08-00B (2)  
LABEL  
116220-01-000  
DDA, CCY, DDA, BBM, CCZ, BBN



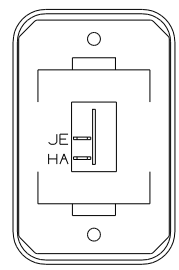
LABEL-WARNING  
116549-02-000



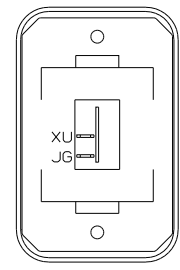
SWITCH-ROCKER  
135740-01-CHT  
SWITCH-BASE  
135741-01-CHT  
SWITCH-BEZEL  
135742-08-CHT  
SCREW  
611-08-08U (2)



SWITCH-ROCKER  
135740-01-CHT  
SWITCH-BASE  
135741-01-CHT  
SWITCH-BEZEL  
135742-11-CHT  
SCREW  
611-08-08U (2)



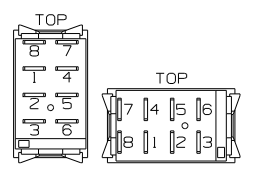
SWITCH-ROCKER  
135740-01-CHT  
SWITCH-BASE  
135741-01-CHT  
SWITCH-BEZEL  
135742-01-CHT  
SCREW  
611-08-08U (2)



SWITCH-ROCKER  
135740-01-CHT  
SWITCH-BASE  
135741-01-CHT  
SWITCH-BEZEL  
135742-01-CHT  
SCREW  
611-08-08U (2)

3 FOR SWITCH ORIENTATION SEE DETAIL EZ.  
2 WITHOUT 52N

NOTES:  
1. SWITCHES ARE TO BE INSTALLED AS SHOWN ON THIS DRAWING.



FOR ELECTRICAL TORQUE SPECIFICATIONS SEE DWG NO. 128783-01-000

X-X FOR ELECTRICAL CALLOUTS SEE DWG NO. 121339-01-000

52N AWNING - PAT10, ELECTRIC  
265 CODES/STANDARDS-CSA/CMVSS  
1B1 CODES/STANDARDS USA

FIRST USED	07 G35A
DO NOT SCALE DRAWING	
TITLE: WIRING INSTL-BODY, 12V	
SHEET 5	PART NO 158676 REV

8

7

6

5

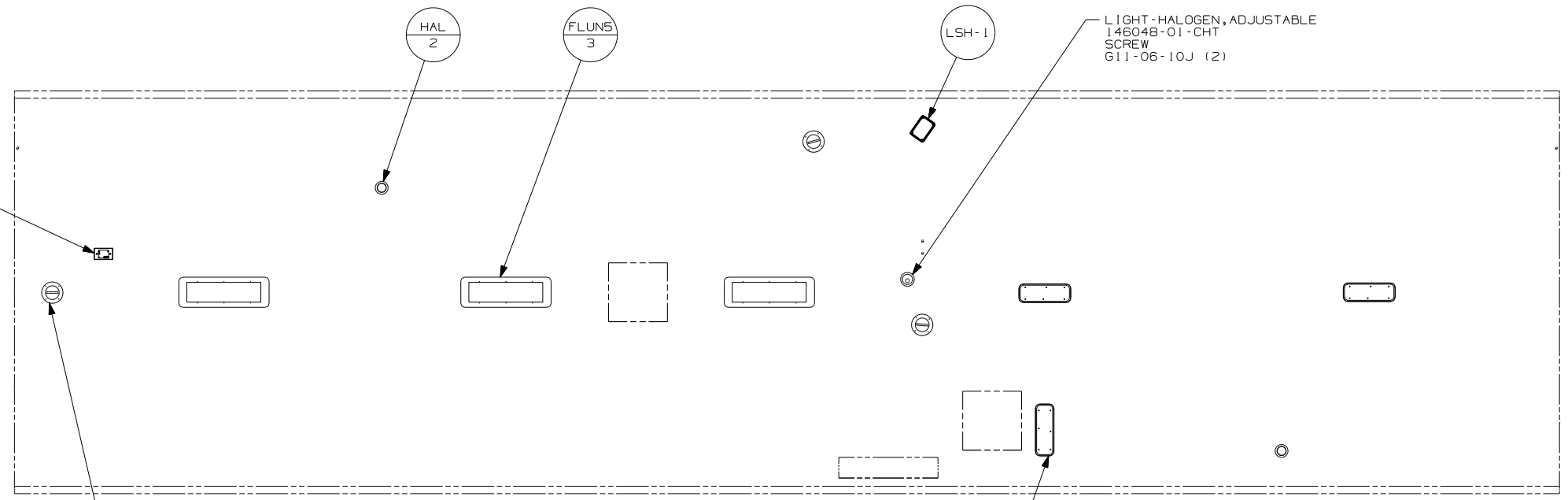
4

3

2

1

SATELLITE ELEVATION SENSOR  
DETAIL GE



SPEAKER-ROUND, CEILING  
160867-01-CHT (3)  
SCREW  
G1208-12-170 (12)

LIGHT-HALOGEN, ADJUSTABLE  
146048-01-CHT  
SCREW  
G11-06-10J (2)

LFSN2  
3

LFIN2  
7

WASHER-PLASTIC  
87080-02-CHT (5)  
SCREW  
G11-08-08B (10)

SWITCH-PUSHBUTTON  
41250-01-000 (7)  
BRACKET-SWITCH, LIGHT  
138494-01-CHT (7)  
SCREW  
G39-08-12T (14)  
G59-08-12B (14)  
SCREW COVER  
93249-01-000 (28)

- 48V LIGHTS-FLUORESCENT
- 48M LIGHTS-INCANDESCEN
- 265 CODES/STANDARDS-CSA/CMVSS
- 1B1 CODES/STANDARDS USA

1B1 265 48M 48V

FIRST USED	07 G35A
TITLE	DO NOT SCALE DRAWING
TITLE	WIRING INSTL-BODY, 12V
SHEET 6	PART NO 158676 REV

FOR ELECTRICAL TORQUE SPECIFICATIONS SEE DWG NO. 128783-01-000

FOR ELECTRICAL CALLOUTS SEE DWG NO. 121339-01-000

- NOTES:
- 2 LAMP LOCATED IN POWER CORD COMPARTMENT.
  - 1 LAMP LOCATED IN SERVICE COMPARTMENT.

8

7

6

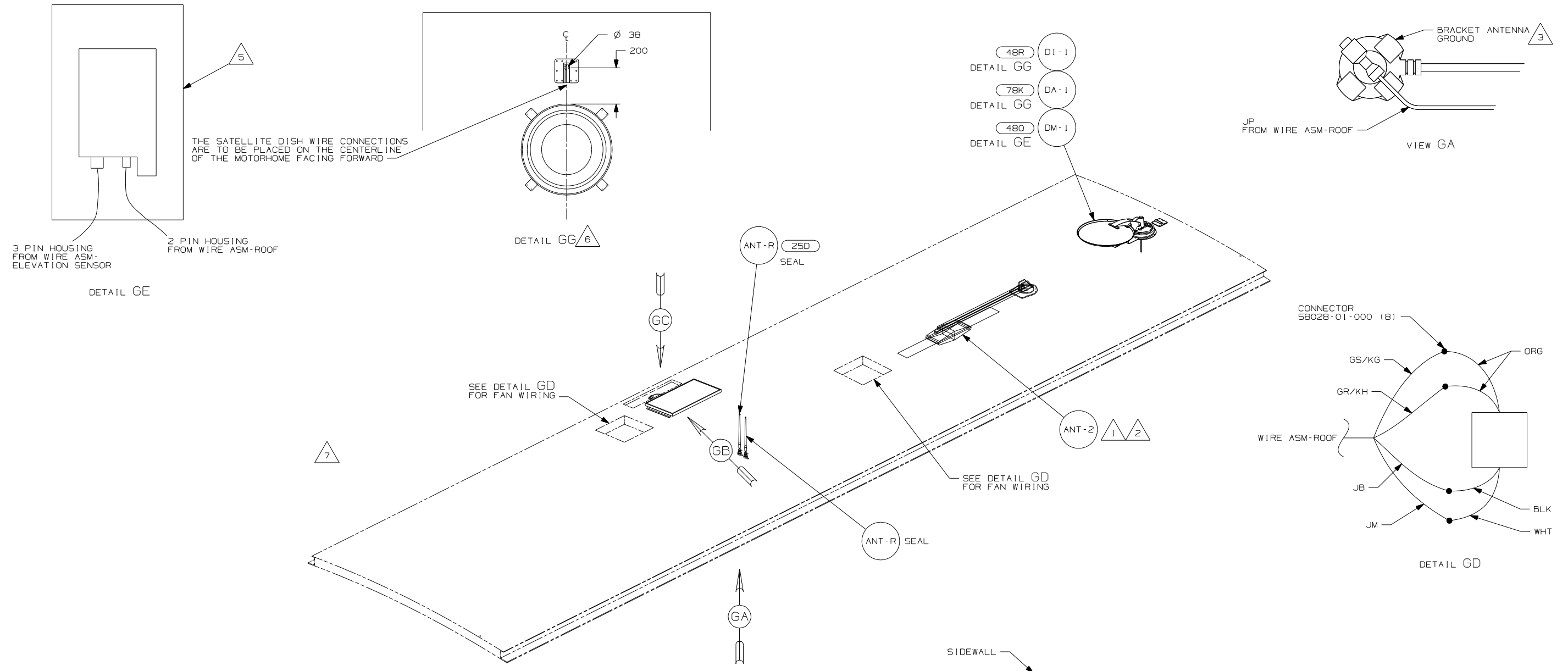
5

4

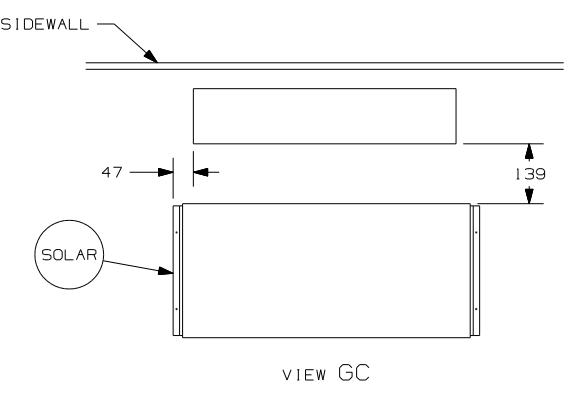
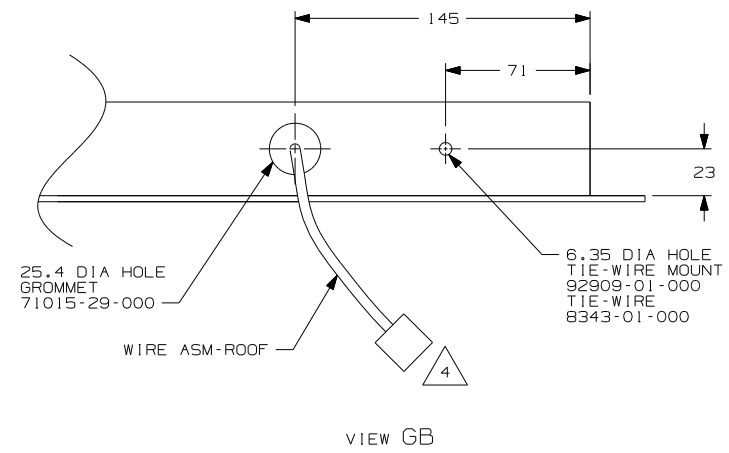
3

2

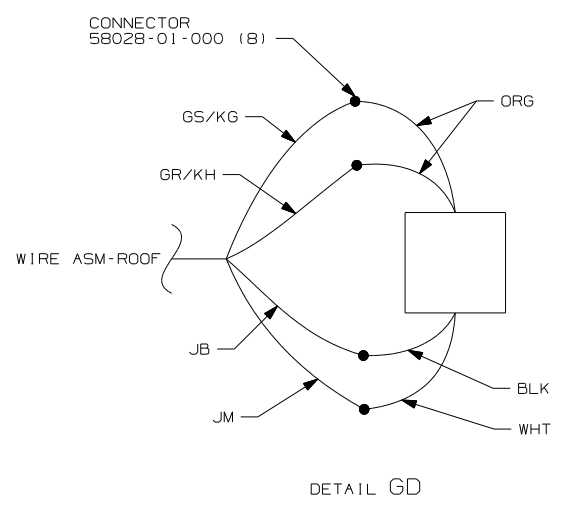
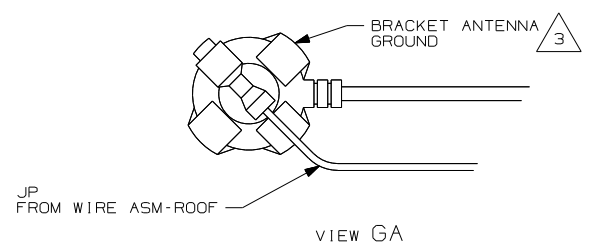
1



- NOTES:
- 6 REMOVE ALL SHIPPING RESTRAINTS AND FIRMLY INSERT THE SUPPLIED PLUGS INTO THE APPROPRIATE SIZED HOLES AS SPECIFIED IN THE INSTALLATION PROCESS.
  - 5 SENSOR SUPPLIED WITH SATELLITE ASSEMBLY.
  - 4 FASTEN TO VENT.
  - 3 WRAP BRACKET LEGS AROUND ANTENNA BASE.
  - 2 ADD RUBBER BUMPERS TOROOF UNDER EACH END OF ANTENNA TO PREVENT CONTACT WITH THE ROOF.
  - 1 SEE DWG 76319-01-000 FOR INSTALLATION OF TV ANTENNA.



- 48R D1-1  
DETAIL GG
- 78K DA-1  
DETAIL GG
- 480 DM-1  
DETAIL GE



- 78K SATELLITE DISH-AUTOMATIC
- 48R SAT SYS IN-MOTION W/O RCVR
- 480 SATELLITE DISH & ELEV.SENSOR
- 25D STEREO SYSTEM/W/CD/DVD REAR
- 265 CODES/STANDARDS-CSA/CMVSS
- 1B1 CODES/STANDARDS USA

FOR ELECTRICAL TORQUE SPECIFICATIONS SEE DWG NO. 128783-01-000

FOR ELECTRICAL CALLOUTS SEE DWG NO. 121339-01-000

FIRST USED		07 G35A	
DO NOT SCALE DRAWING			
TITLE: WIRING INSTL-BODY, 12V			
SHEET 7	PART NO	158676	REV