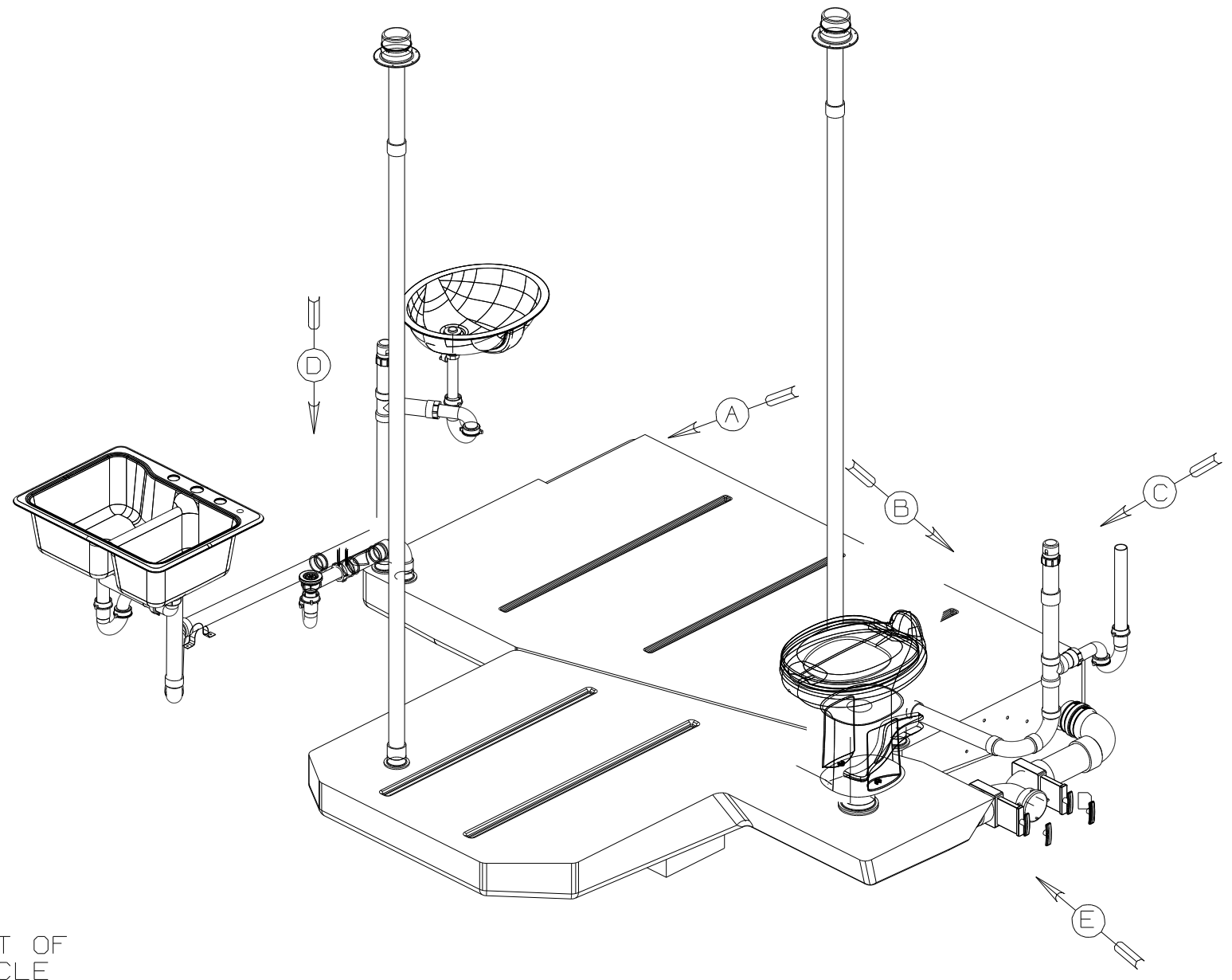


DWG NO	----
157427-01	(WIN)
157427-02	(ITA)

RELEASE	REV DATE	DWG NO
A		157427
REV ZONE	REVISION RECORD	DATE
		DFTR-0R16



FRONT OF
VEHICLE

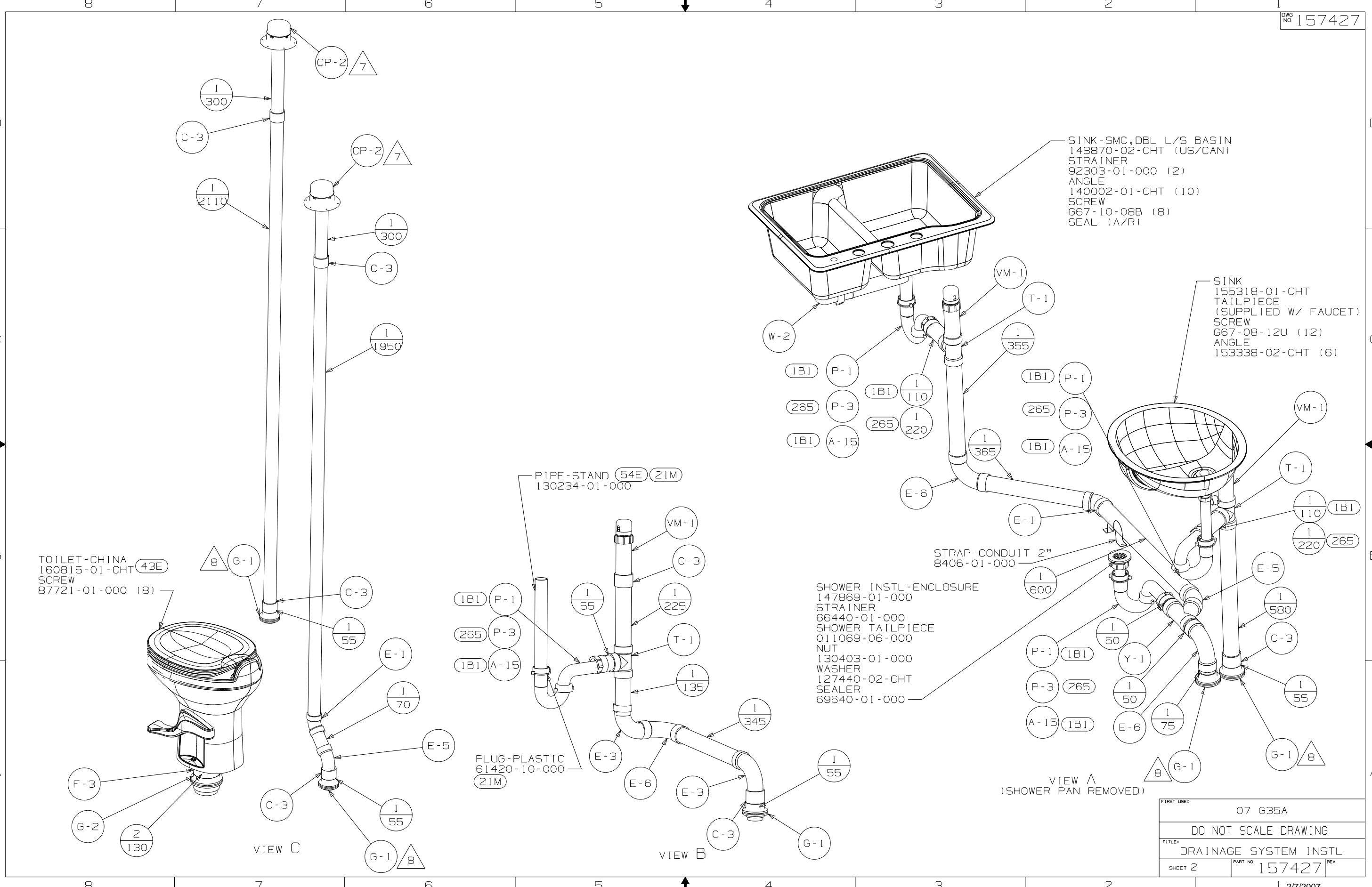
- (21M) WASHER/DRYER PREP
- (WIN) WINNEBAGO ONLY
- (ITA) ITASCA ONLY
- (265) CODES/STANDARDS-CSA/CMVSS
- (1B1) CODES/STANDARDS-USA
- (43E) TOILET-PORCELAIN, ROUND

- 8 SECURE VENT TUBES TO FLOOR WITH BRACKET 136878-01-CHT (3) CLAMP 62401-02-000 (3), SCREW G67-10-12B (3).
- 7 VENT PIPE MUST PROJECT 51 MIN AND 64 MAX ABOVE ROOF FOR PROPER FIT AND FUNCTION.
6. ROF CANADIAN UNITS EACH HOLDING TANK SHALL HAVE A CSA APPROVAL STAMPED NEAR THE IAMPO APPROVAL.
5. SEAL AROUND SHOWER WITH SILICONE.
4. ALL EXTERIOR OPENINGS AROUND PIPE TO BE SEALED WITH 100744-01-000.
3. ALL PIPE AND FITTINGS TO BE ASSEMBLED WITH SOLVENT 4020-01-000 (US), 4020-02-000 (CAN)..
2. SLOPE OF TRAP ARM MUST BE 6 PER 305 mm.
1. SLOPE OF HORIZONTAL PIPING TO BE 6 PER 305 mm.

NOTES:

(X-X)
FOR
DRAINAGE
CALLOUTS
SEE DWG NO.
116229-01-000

WINNEBAGO		COPYRIGHT 2007 WINNEBAGO INDUSTRIES, INC.	
DFTR	ORIG. DATE	ALL DIMENSIONS ARE IN MILLIMETERS	
CHKR		FIRST USED	
P.E.		07 G35A	
M.E.		UNSPECIFIED TOLERANCES ARE:	
DSNR		MATERIAL:	
		WHOLE DIM (X)	: 5
		ONE-PLACE (X.X)	:
		TWO-PLACE (X.XX)	:
		ANGLE	:
THIRD ANGLE PROJECTION		DO NOT SCALE DRAWING	
TITLE: DRAINAGE SYSTEM INSTL			
SHEET 1 OF 3	PART NO	REV	
	157427		
REF1	1 2/7/2007		



TOILET-CHINA
160815-01-CHT (43E)
SCREW
87721-01-000 (8)

VIEW C

PIPE-STAND (54E) (21M)
130234-01-000

PLUG-PLASTIC
61420-10-000
(21M)

VIEW B

SHOWER INSTL-ENCLOSURE
147869-01-000
STRAINER
66440-01-000
SHOWER TAILPIECE
011069-06-000
NUT
130403-01-000
WASHER
127440-02-CHT
SEALER
69640-01-000

VIEW A
(SHOWER PAN REMOVED)

SINK-SMC, DBL L/S BASIN
148870-02-CHT (US/CAN)
STRAINER
92303-01-000 (2)
ANGLE
140002-01-CHT (10)
SCREW
G67-10-08B (8)
SEAL (A/R)

SINK
155318-01-CHT
TAILPIECE
(SUPPLIED W/ FAUCET)
SCREW
G67-08-12U (12)
ANGLE
153338-02-CHT (6)

FIRST USED	07 G35A	
TITLE	DO NOT SCALE DRAWING	
	DRAINAGE SYSTEM INSTL	
SHEET 2	PART NO	157427
	REV	

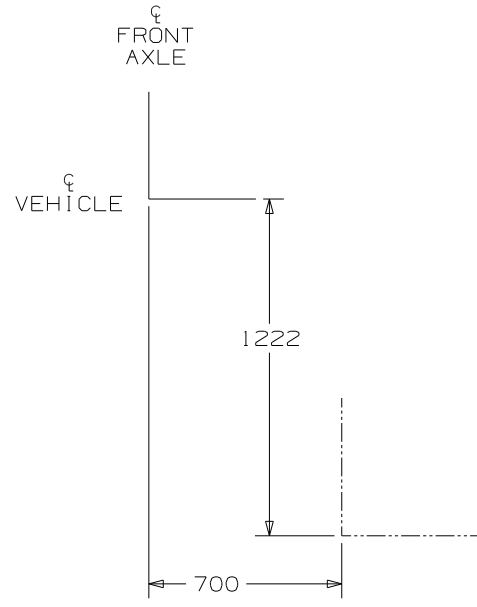
BRACKET - ANGLE, W/HOLES
94756-02-CHT

PLATFORM-HOLDING TANK
126714-33-000

PLATFORM-HOLDING TANK
126714-10-000

PLATFORM-HOLDING TANK
126714-22-000

PLATFORM-HOLDING TANK
126714-10-000



VIEW D

TANK - HOLDING
150413-02-000

TANK - HOLDING
150414-02-000

VIEW E

V-11 VALVE - SEWER
144728-01-000

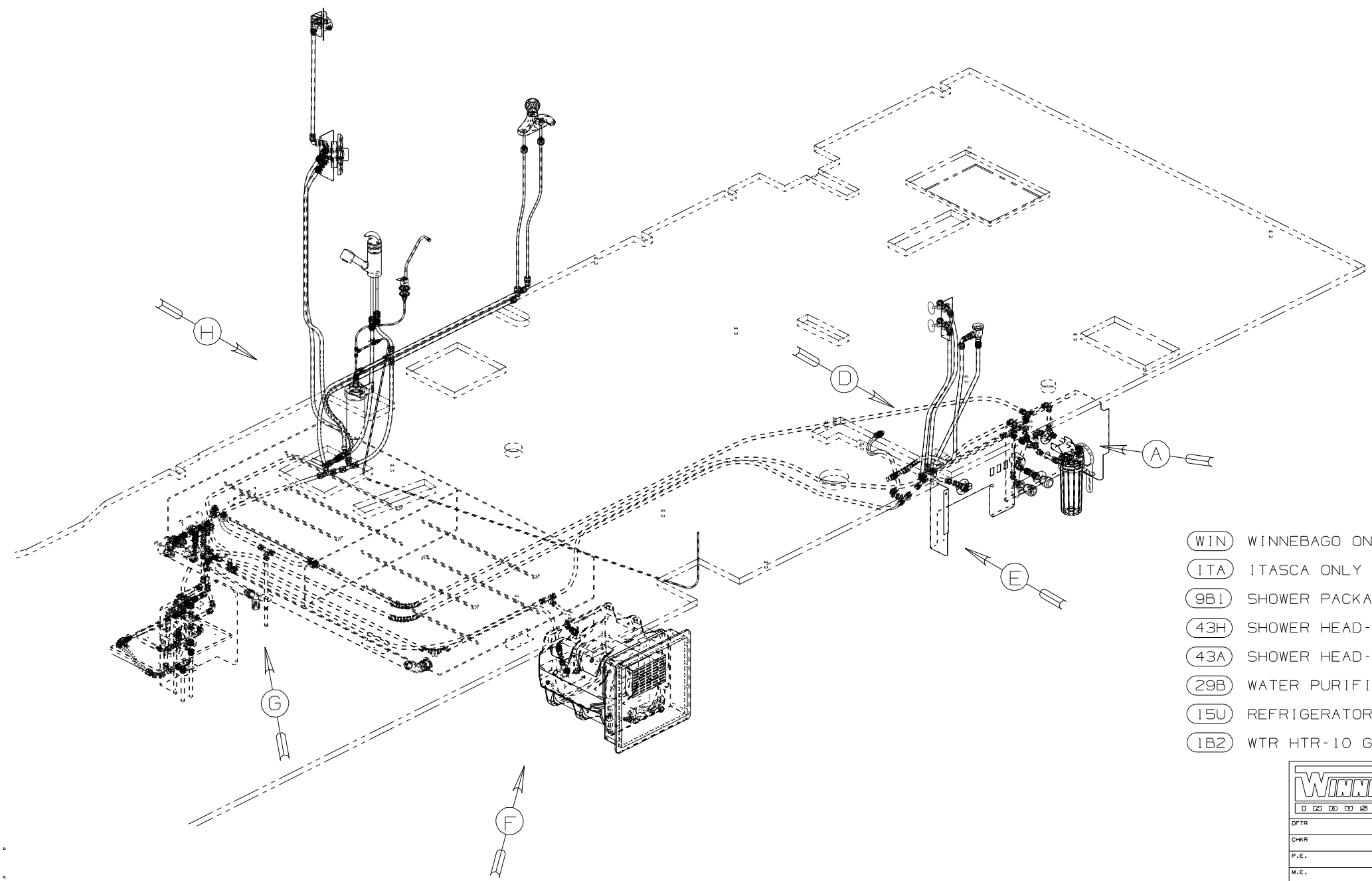
H-1 CLAMP - HOSE
062401-09-000

N-3 LABEL - DRIP VALVE
147845-01-CHT

FIRST USED	07 G35A	
TITLE	DO NOT SCALE DRAWING	
SHEET 3	PART NO	157427
	REV	1 2/7/2007

DWG NO	----
157426-01	(WIN)
157426-02	(ITA)

RELEASE	REV DATE	DWG NO
A		157426
REV ZONE	REVISION RECORD	DATE DFR-ORIG



- (WIN) WINNEBAGO ONLY
- (ITA) ITASCA ONLY
- (9B1) SHOWER PACKAGE
- (43H) SHOWER HEAD-HAND HELD
- (43A) SHOWER HEAD-FIXED
- (29B) WATER PURIFIER
- (15U) REFRIGERATOR/FRZR W/ICEMAKER
- (1B2) WTR HTR-10 GAL/ELEC/LP/MTR AID

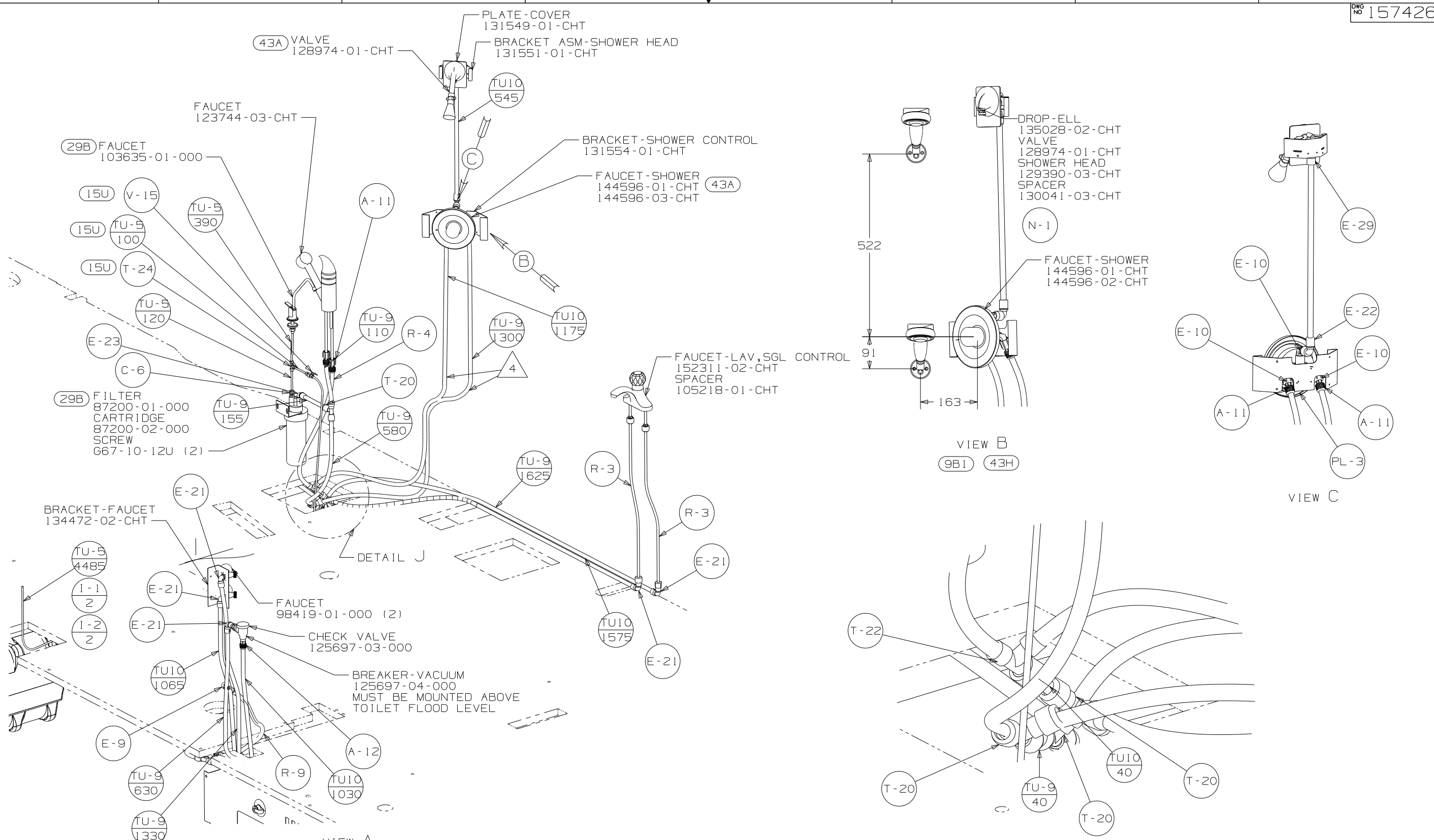
- ⑥ ADD TEFLON TAPE 10405-01-000.
- ⑤ ADD TEFLON TAPE 10405-02-000.
- ④ ADD PIPE WRAP (LADDER SCRAP).

- 3. ALL TUBING TO BE SECURED AT 1200 INTERVALS MAXIMUM WITH CLAMP 10495-01-000 OR CLIP 9151-01-000 AND SCREW G67-10-12B OR ZIP TIE.
- 2. TUBING TO BE INSTALLED WITH SUFFICIENT SLOPE TO PROVIDE DRAINAGE TO NEAREST VALVE.
- 1. PLASTIC FITTINGS TO BE SEALED WITH SEALANT 84456-01-000.

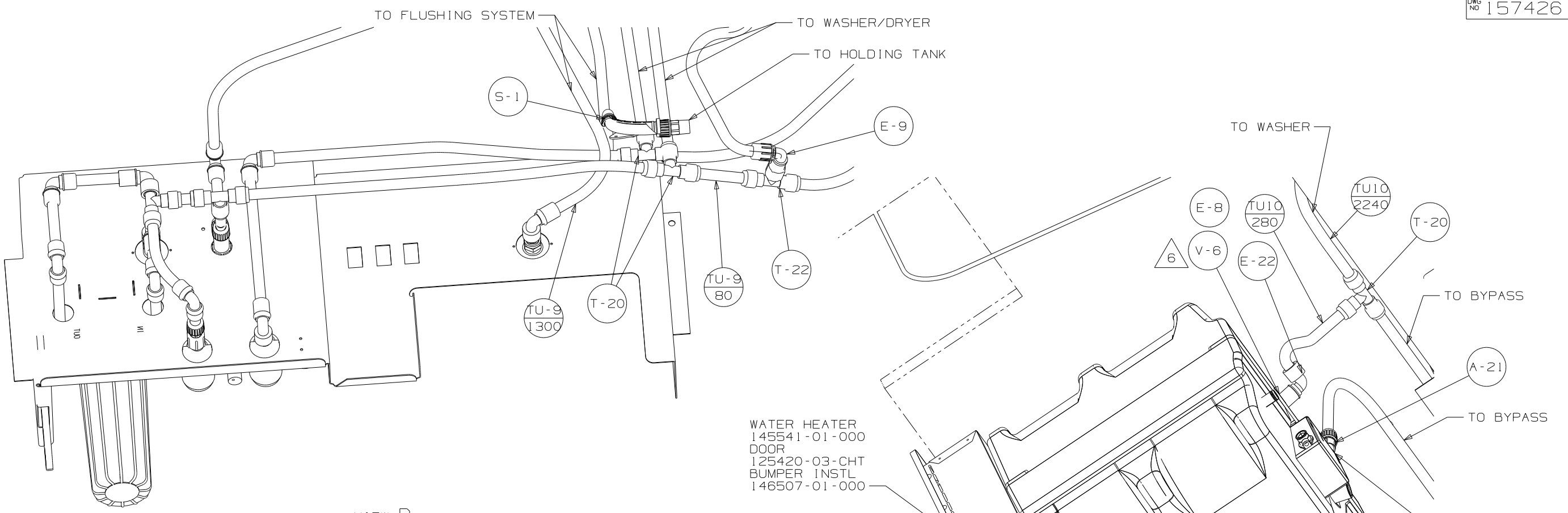
NOTES:

(X-X)
FOR WATER CALLOUTS SEE DWG NO 116230-01-000

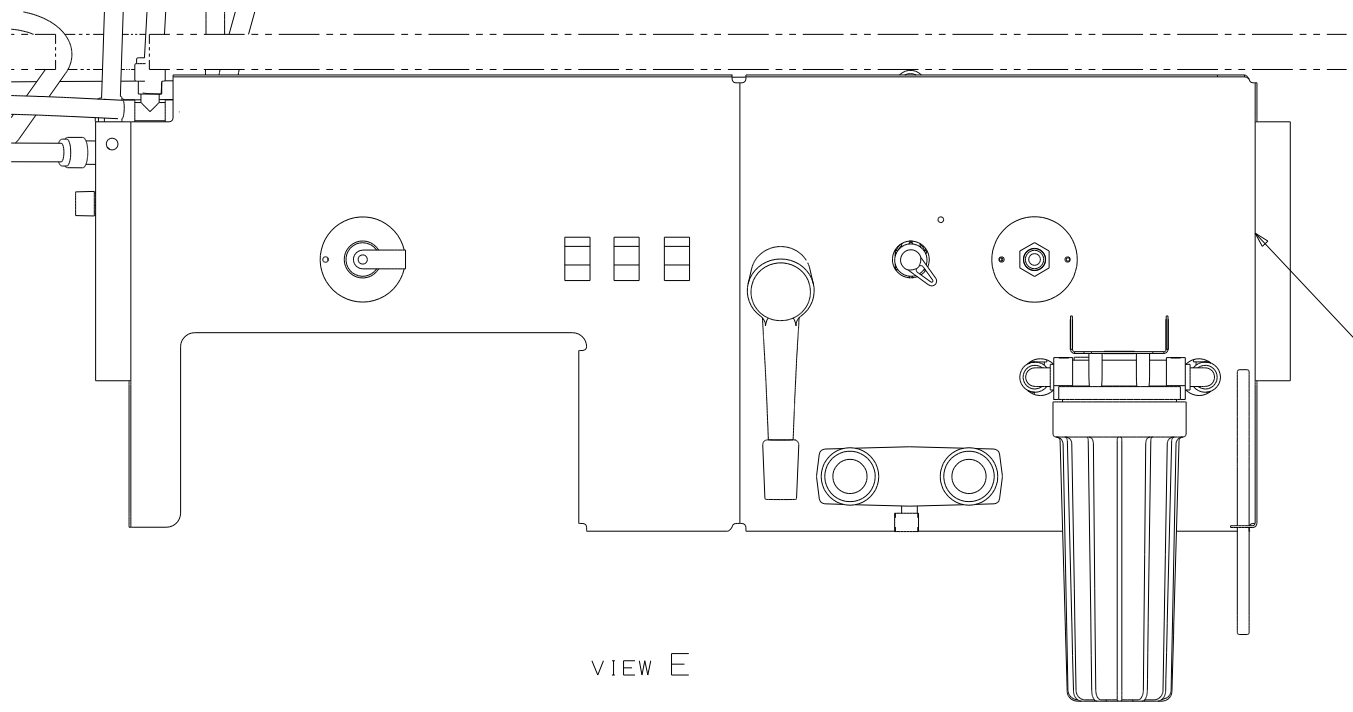
WINNEBAGO		COPYRIGHT 2006 WINNEBAGO INDUSTRIES, INC.	
DFTR	ORIG. DATE	ALL DIMENSIONS ARE IN MILLIMETERS	
CHKR		M.E.	
P.E.		FIRST USED	
M.E.		07 G35A	
DSNR		UNSPECIFIED TOLERANCES ARE:	
		MATERIAL:	
		HOLE DIM (X) : 7	
		ONE-PLACE (X.X) :	
		TWO-PLACE (X.XX) :	
		ANGLE :	
THIRD ANGLE PROJECTION		DO NOT SCALE DRAWING	
TITLE: WATER SYSTEM INSTL			
SHEET 1 OF 4	PART NO	157426	REV
REF:	1 10/23/2006		



FIRST USED	07 G35A		
TITLE	DO NOT SCALE DRAWING		
TITLE	WATER SYSTEM INSTL		
SHEET 2	PART NO	157426	REV



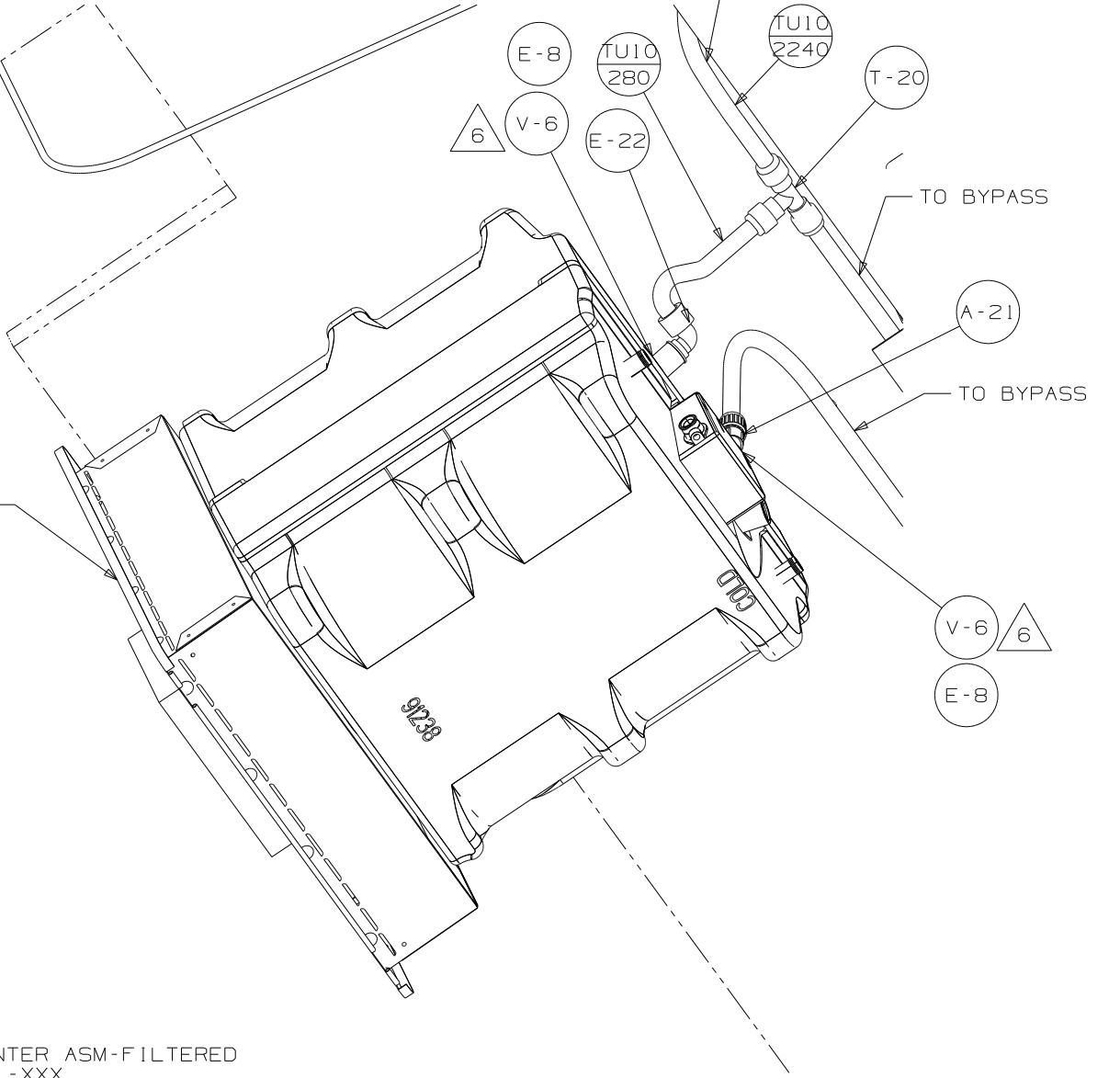
VIEW D



VIEW E

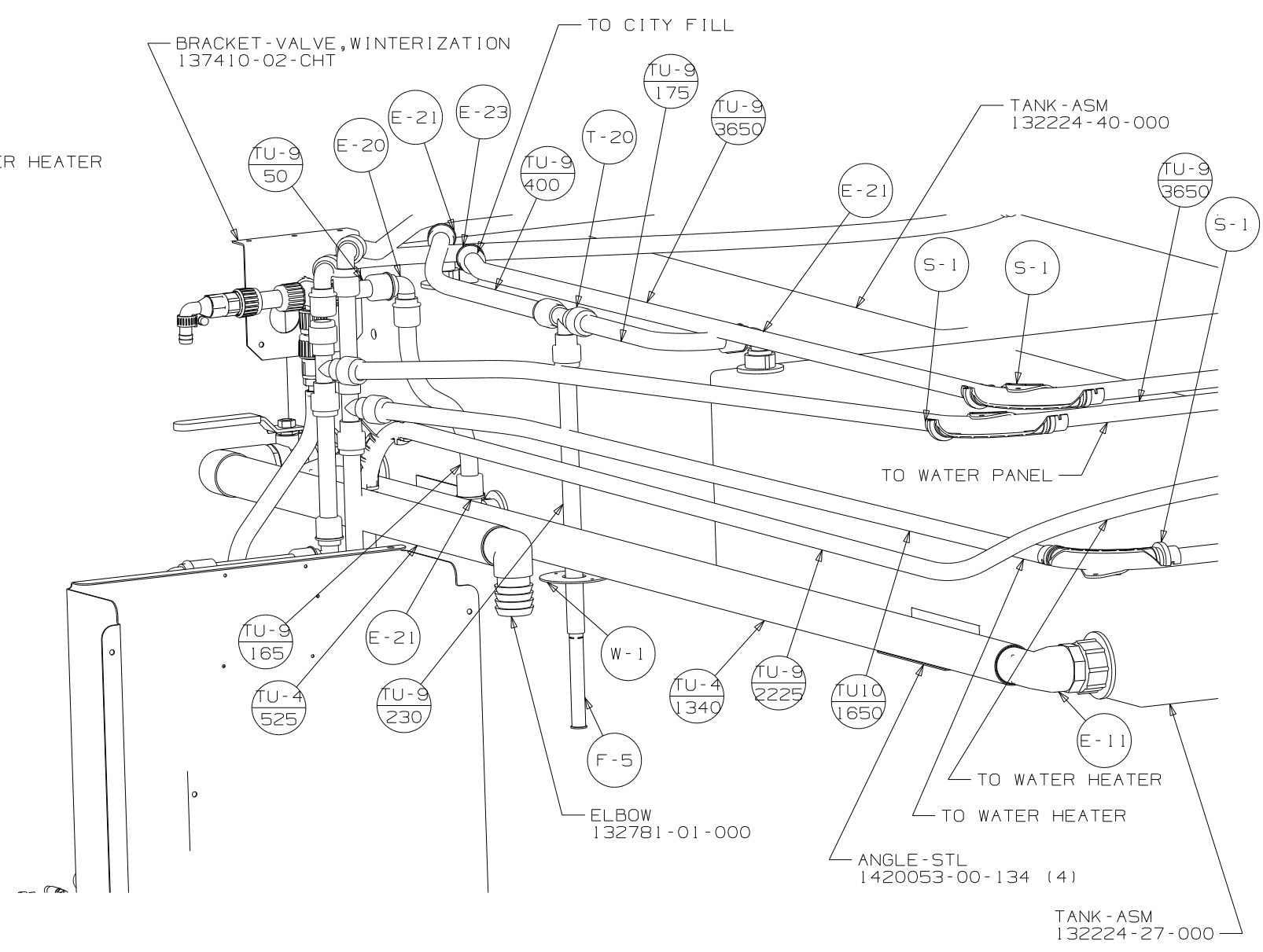
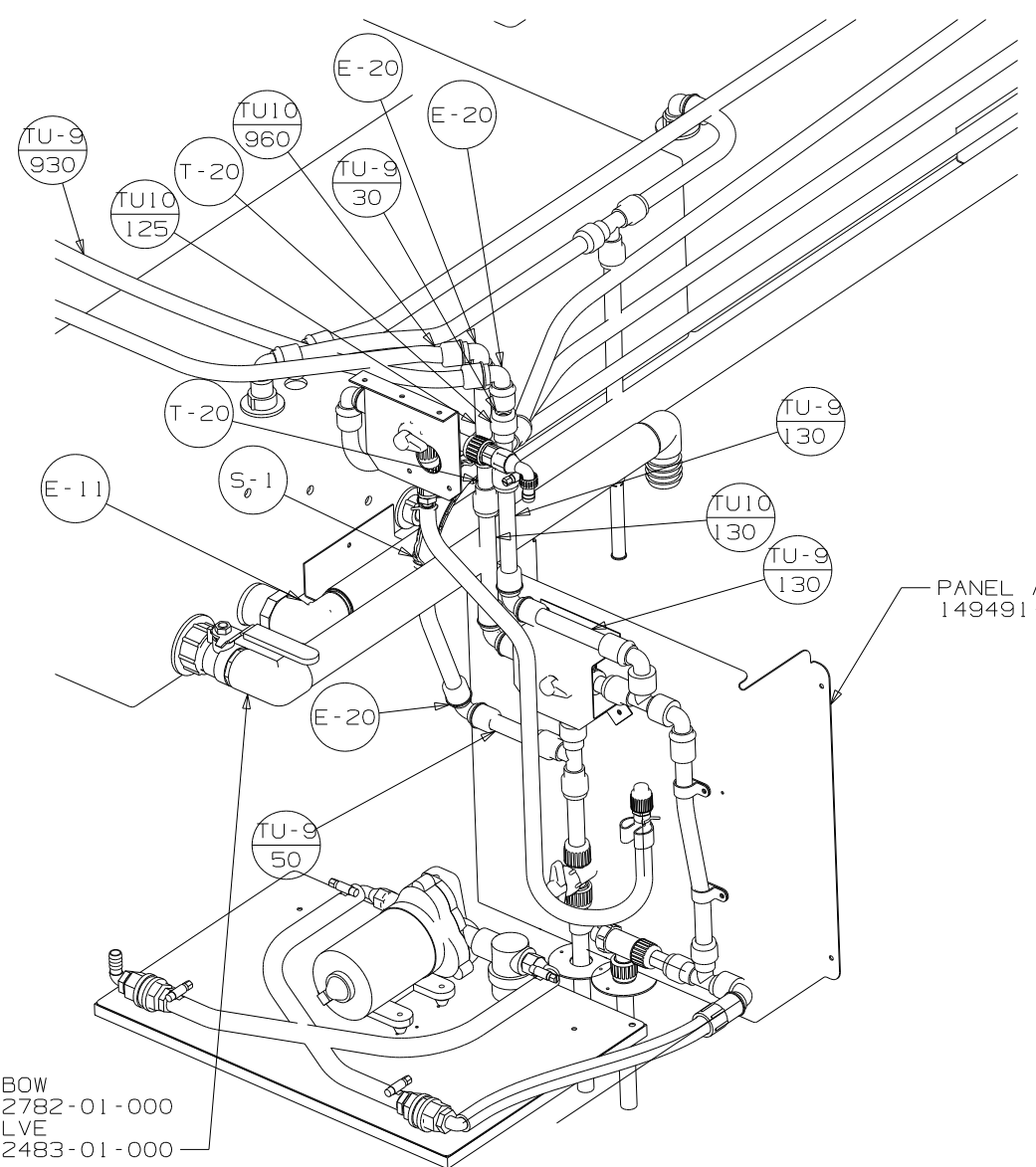
WATER HEATER
 145541-01-000
 DOOR
 125420-03-CHT
 BUMPER INSTL
 146507-01-000

WATER CENTER ASM-FILTERED
 157511-01-XXX



VIEW F

FIRST USED	07 G35A		
TITLE	DO NOT SCALE DRAWING		
TITLE	WATER SYSTEM INSTL		
SHEET 3	PART NO	157426	REV



VIEW H
SHOWN W/O FLOOR

FIRST USED	07 G35A	
TITLE	DO NOT SCALE DRAWING	
TITLE	WATER SYSTEM INSTL	
SHEET 4	PART NO	157426
REV		