

FRONT OF VEHICLE

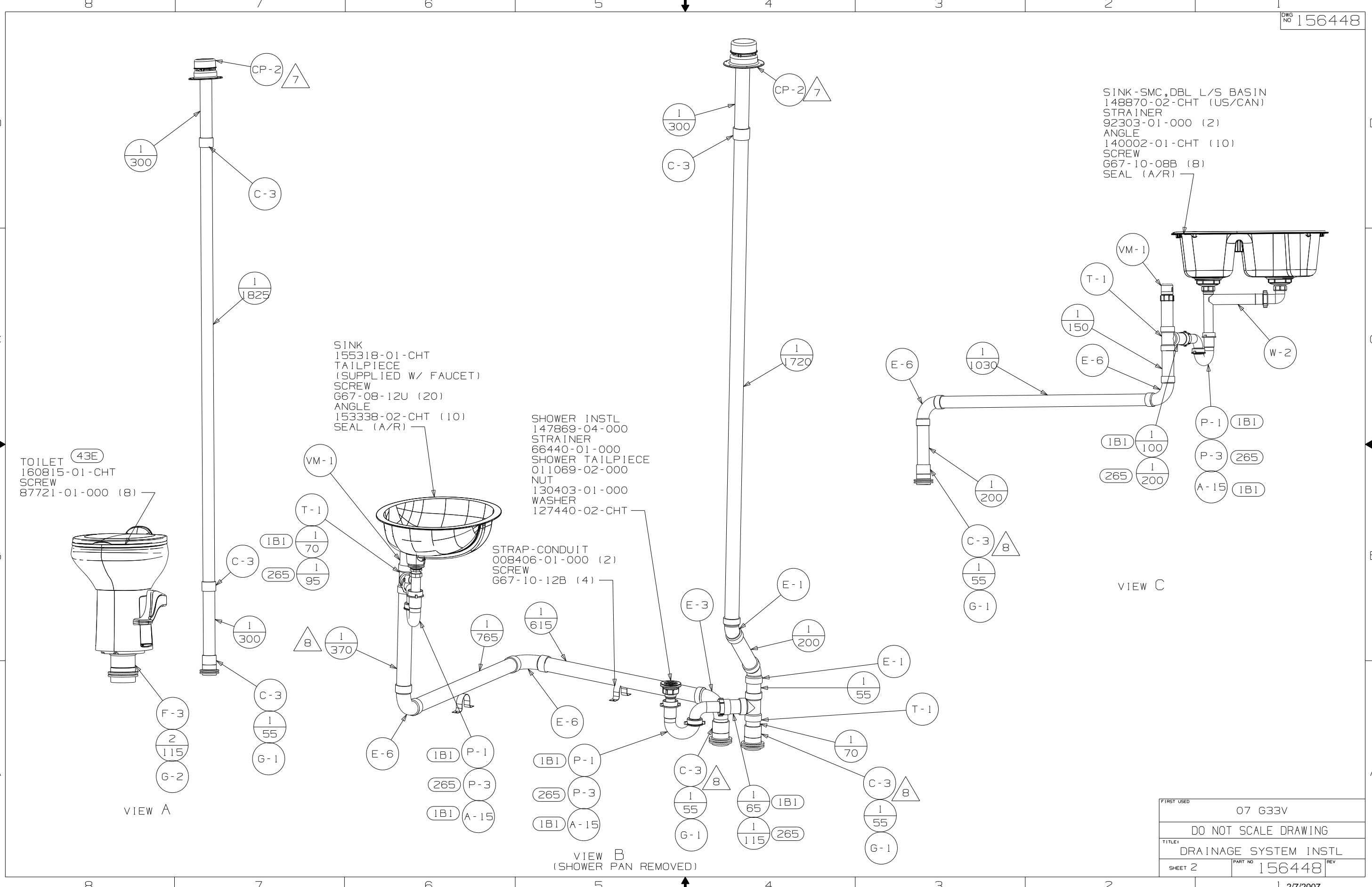
- (265) CODES/STANDARDS-CSA/CMVSS
- (1B1) CODES/STANDARDS-USA
- (43E) TOILET-PORCELAIN, ROUND

- 8. SECURE VENT TUBES TO FLOOR WITH BRACKET 136878-01-CHT (3) CLAMP 62401-02-000 (3), SCREW G67-10-12B (3).
- 7. VENT PIPE MUST PROJECT 51 MIN AND 64 MAX ABOVE ROOF FOR PROPER FIT AND FUNCTION.
- 6. ROF CANADIAN UNITS EACH HOLDING TANK SHALL HAVE A CSA APPROVAL STAMPED NEAR THE IAMPO APPROVAL.
- 5. SEAL AROUND SHOWER WITH SILICONE.
- 4. ALL EXTERIOR OPENINGS AROUND PIPE TO BE SEALED WITH 100744-01-000.
- 3. ALL PIPE AND FITTINGS TO BE ASSEMBLED WITH SOLVENT 4020-01-000 (US), 4020-02-000 (CAN)..
- 2. SLOPE OF TRAP ARM MUST BE 6 PER 305 mm.
- 1. SLOPE OF HORIZONTAL PIPING TO BE 6 PER 305 mm.

NOTES:

(X-X)
FOR DRAINAGE CALLOUTS SEE DWG NO. 116229-01-000

WINNEBAGO		COPYRIGHT 2007 WINNEBAGO INDUSTRIES, INC.	
DFT	ORIG. DATE	ALL DIMENSIONS ARE IN MILLIMETERS	
CHKR			
P.E.			
M.E.			
DSNR	07 G33V	UNSPECIFIED TOLERANCES ARE:	
WHOLE DIM (X)	: 3	MATERIAL:	
ONE-PLACE (X.X)	:		
TWO-PLACE (X.XX)	:		
ANGLE	:	THIRD ANGLE PROJECTION	
DO NOT SCALE DRAWING			
TITLE: DRAINAGE SYSTEM INSTL			
SHEET 1 OF 3	PART NO 156448	REV	



TOILET (43E)
160815-01-CHT
SCREW
87721-01-000 (8)

SINK
155318-01-CHT
TAILPIECE
(SUPPLIED W/ FAUCET)
SCREW
G67-08-12U (20)
ANGLE
153338-02-CHT (10)
SEAL (A/R)

SHOWER INSTL
147869-04-000
STRAINER
66440-01-000
SHOWER TAILPIECE
011069-02-000
NUT
130403-01-000
WASHER
127440-02-CHT

STRAP-CONDUIT
008406-01-000 (2)
SCREW
G67-10-12B (4)

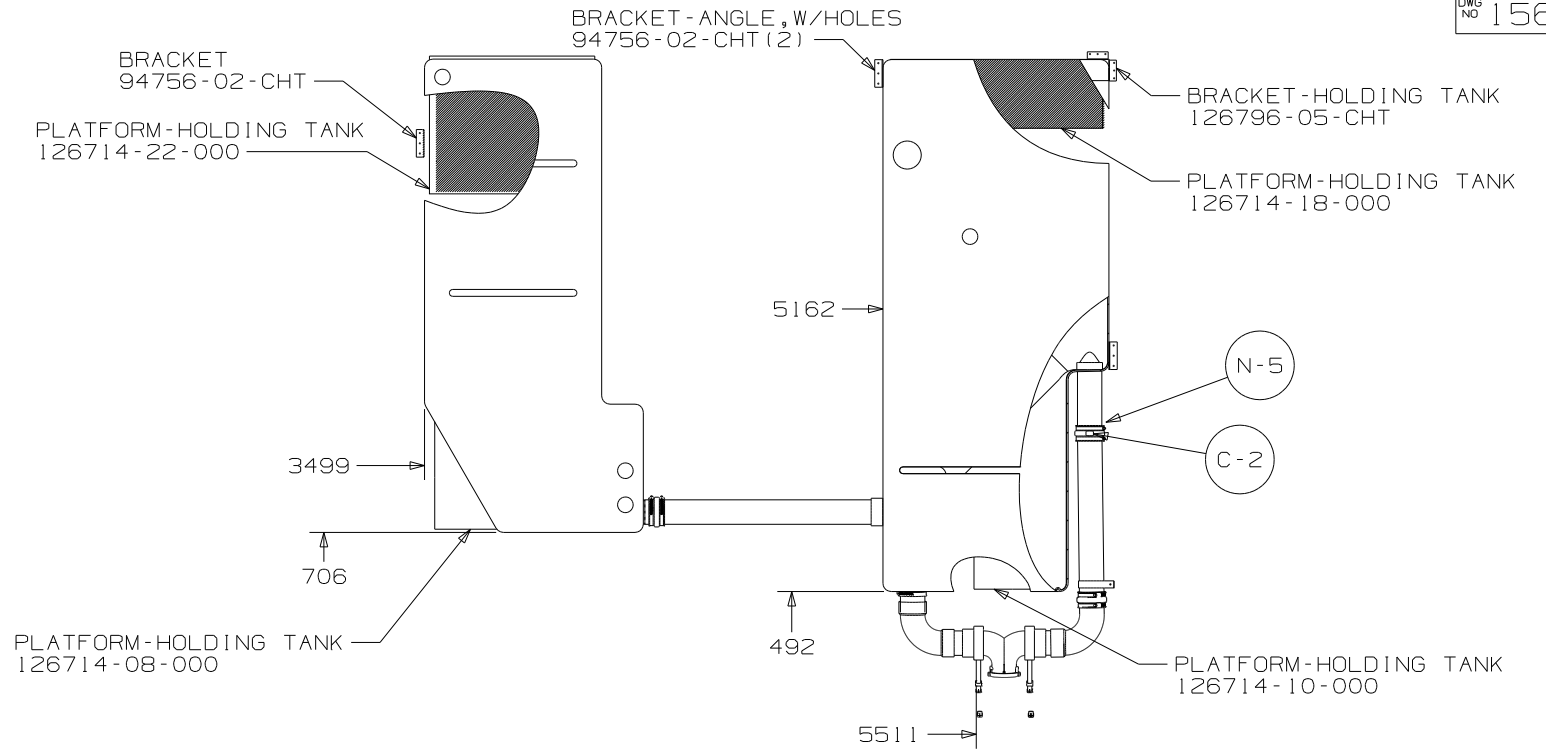
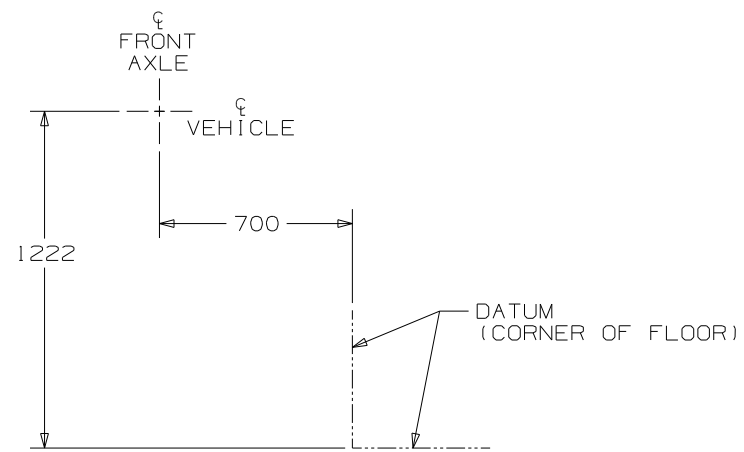
SINK-SMC, DBL L/S BASIN
148870-02-CHT (US/CAN)
STRAINER
92303-01-000 (2)
ANGLE
140002-01-CHT (10)
SCREW
G67-10-08B (8)
SEAL (A/R)

VIEW A

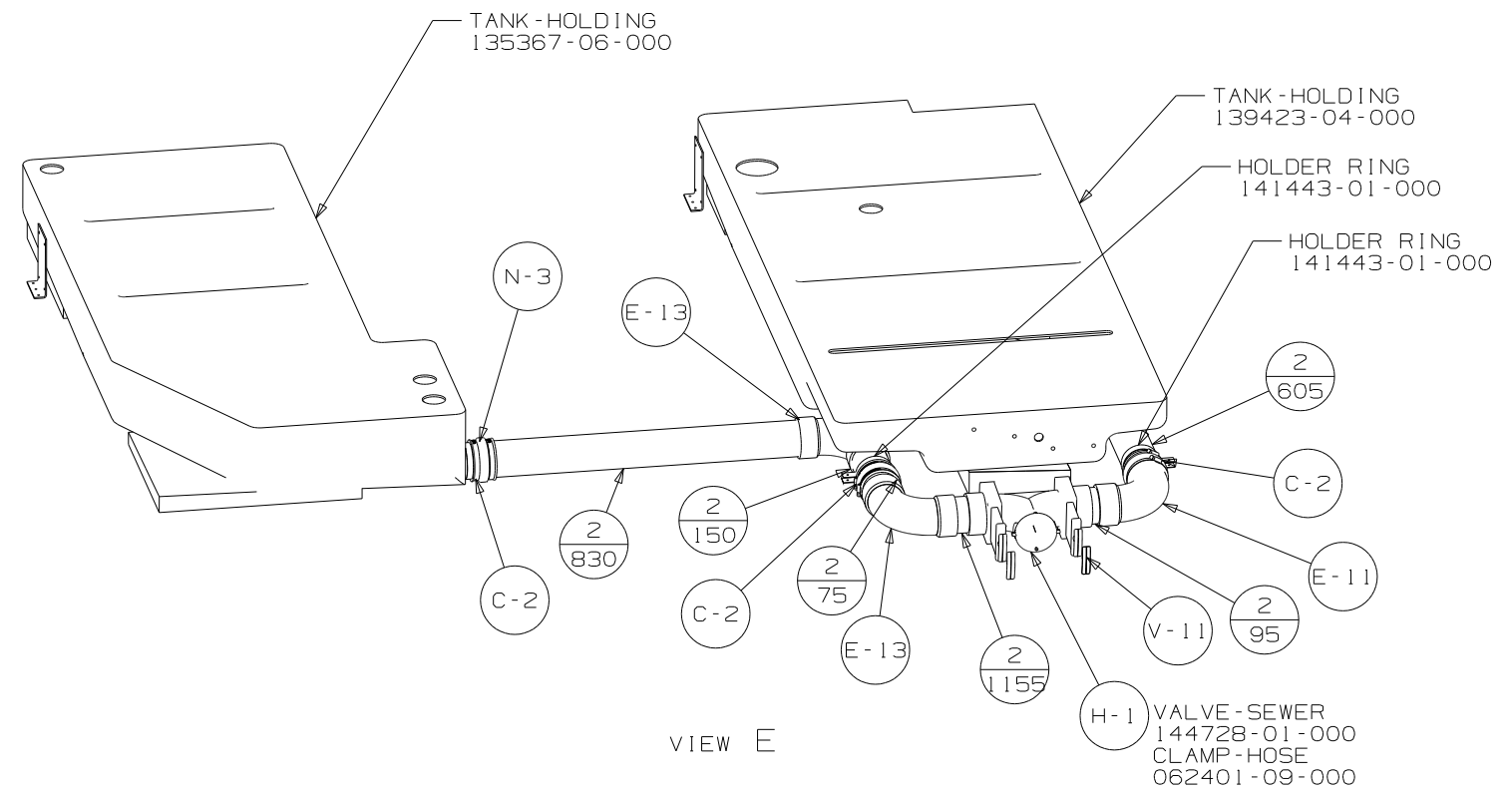
VIEW B
(SHOWER PAN REMOVED)

VIEW C

FIRST USED	07 G33V		
TITLE	DO NOT SCALE DRAWING		
	DRAINAGE SYSTEM INSTL		
SHEET 2	PART NO	156448	REV



VIEW D

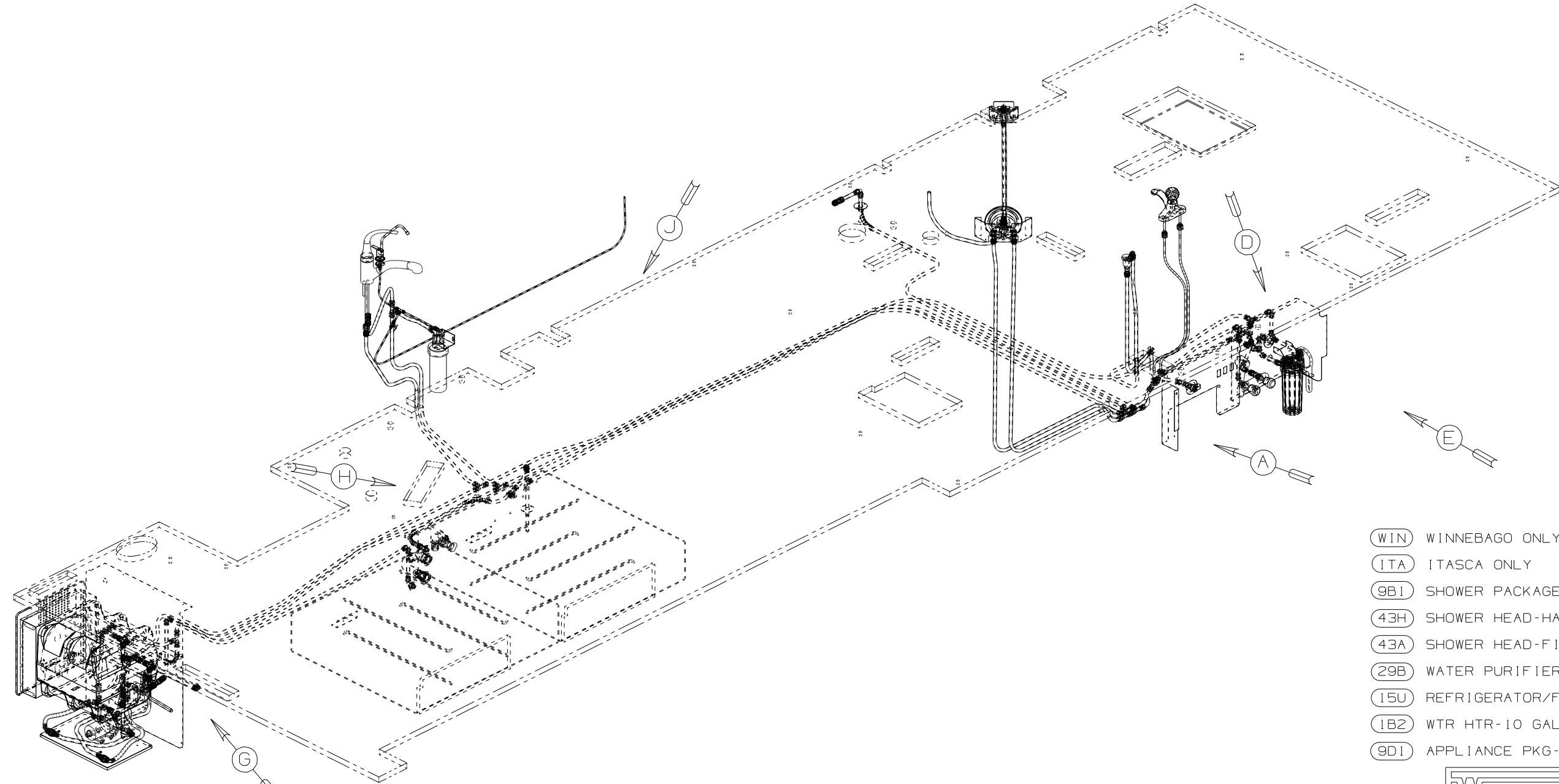


VIEW E

FIRST USED	07 G33V		
TITLE	DO NOT SCALE DRAWING		
	DRAINAGE SYSTEM INSTL		
SHEET 3	PART NO	156448	REV

DWG NO	----
156456-01	(WIN)
156456-02	(ITA)

RELEASE	REV DATE	DWG NO
A		156456
REV ZONE	REVISION RECORD	DATE DFR-0R16

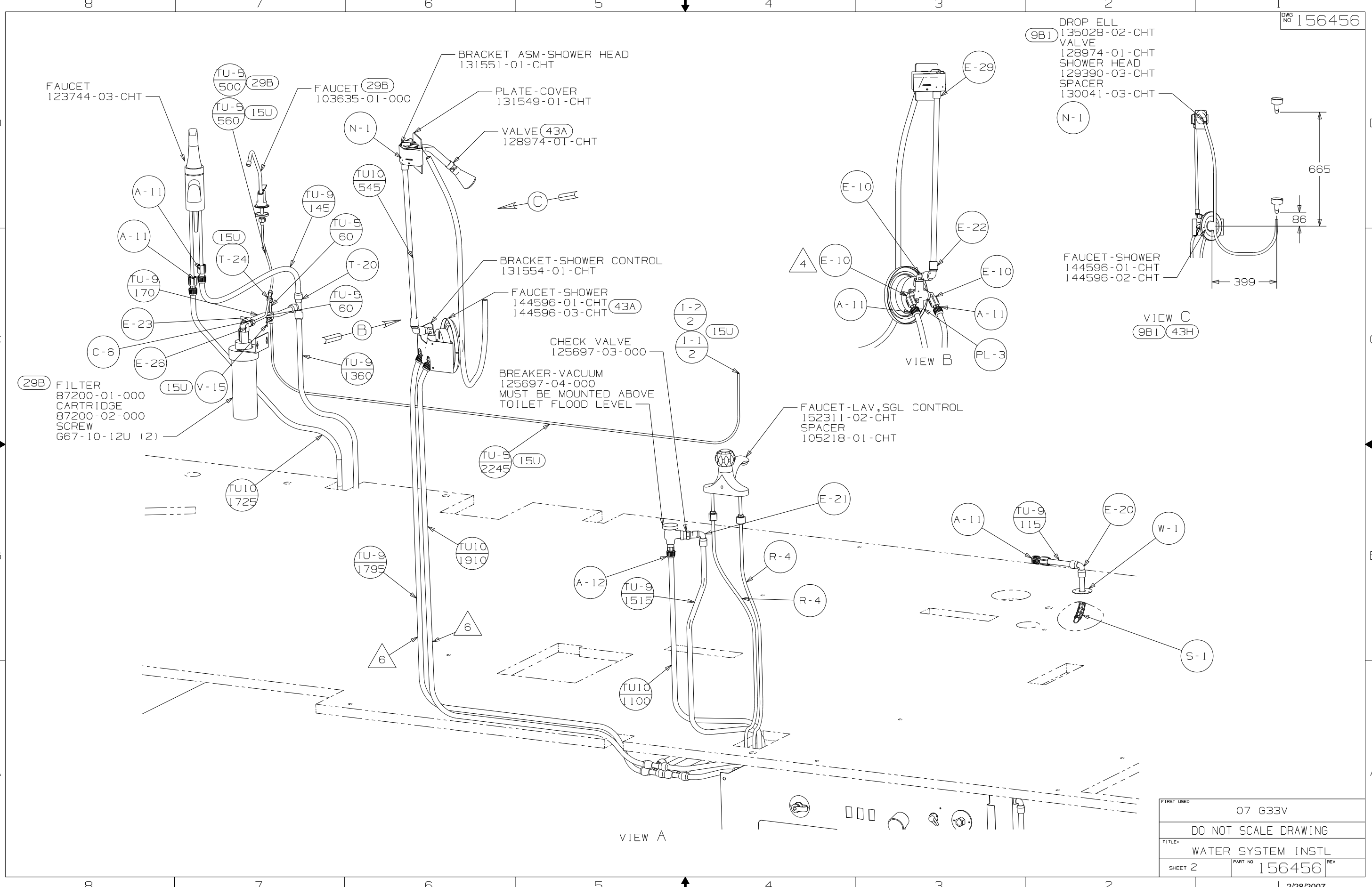


- (WIN) WINNEBAGO ONLY
- (ITA) ITASCA ONLY
- (9B1) SHOWER PACKAGE
- (43H) SHOWER HEAD-HAND HELD
- (43A) SHOWER HEAD-FIXED
- (29B) WATER PURIFIER
- (15U) REFRIGERATOR/FRZR W/ICEMAKER
- (1B2) WTR HTR-10 GAL/ELEC/LP/MTR AID
- (9D1) APPLIANCE PKG-STAINLESS STEEL

- NOTES:
- 6 ADD PIPE WRAP (LADDER SCRAP 110157-02-000) INSULATION.
 - 5 ADD TEFLON TAPE 10405-02-000.
 - 4 ADD TEFLON TAPE 10405-01-000.
 - 3. ALL TUBING TO BE SECURED AT 1200 INTERVALS MAXIMUM WITH CLAMP 10495-01-000 AND SCREW G67-10-12B OR EQUIVALENT.
 - 2. TUBING TO BE INSTALLED WITH SUFFICIENT SLOPE TO PROVIDE DRAINAGE TO NEAREST VALVE.
 - 1. PLASTIC FITTINGS TO BE SEALED WITH SEALANT 84456-01-000.

WINNEBAGO		COPYRIGHT 2007 WINNEBAGO INDUSTRIES, INC.	
DFTR	ORIG. DATE	ALL DIMENSIONS ARE IN MILLIMETERS	
CHKR		FIRST USED	
P.E.		07 G33V	
M.E.		UNSPECIFIED TOLERANCES ARE:	
DSNR		MATERIAL:	
		WHOLE DIM (X)	: 7
		ONE-PLACE (X.X)	: 1.5
		TWO-PLACE (X.XX)	: 0.50
		ANGLE	: 1°
		THIRD ANGLE PROJECTION	
DO NOT SCALE DRAWING			
TITLE: WATER SYSTEM INSTL			
SHEET 1 OF 4	PART NO	156456	REV

(X-X)
FOR
WATER
CALLOUTS
SEE DWG NO
116230-01-000



(9B1) DROP ELL
135028-02-CHT
VALVE
128974-01-CHT
SHOWER HEAD
129390-03-CHT
SPACER
130041-03-CHT

(N-1)

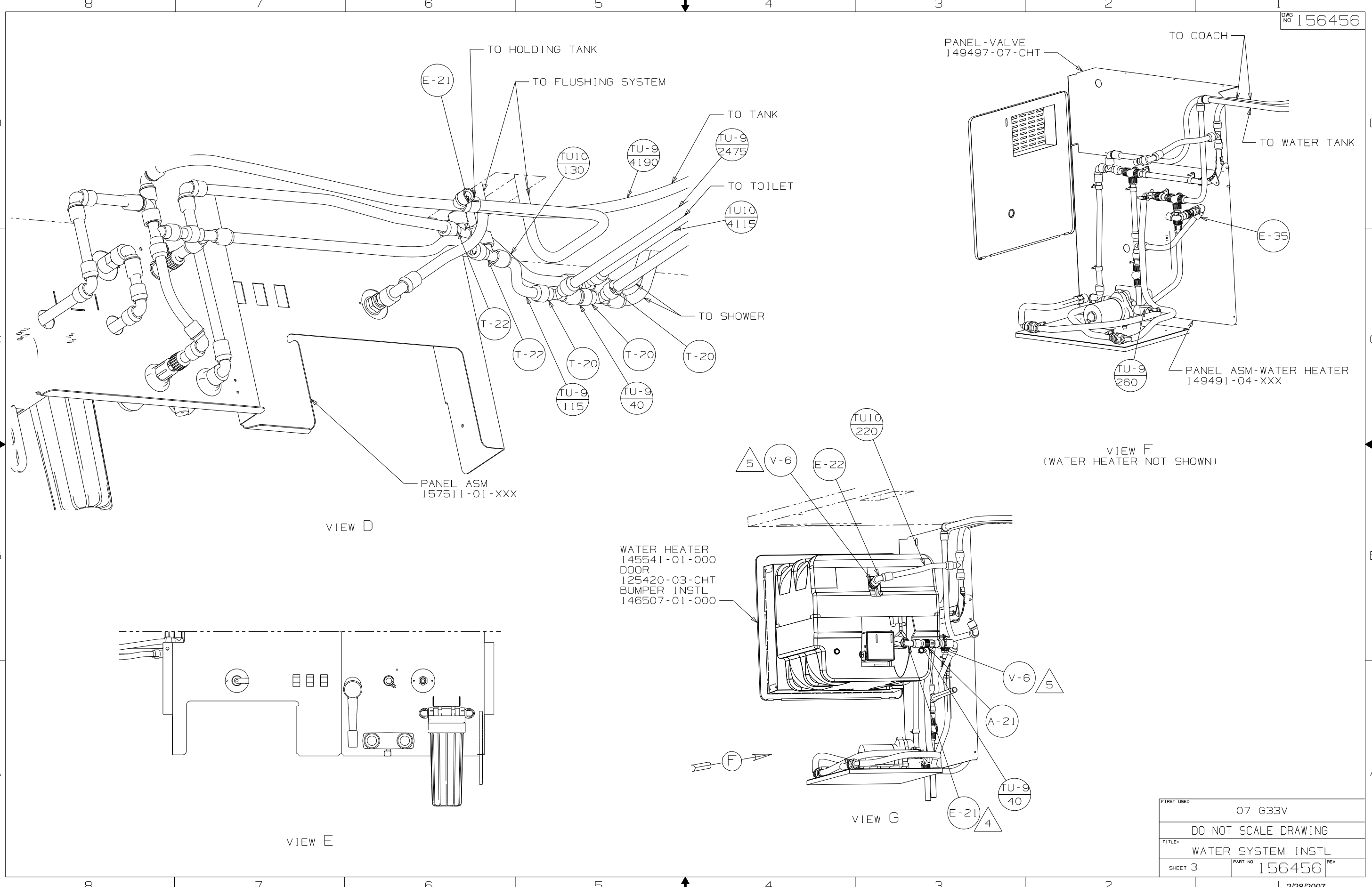
FAUCET-SHOWER
144596-01-CHT
144596-02-CHT

VIEW C
(9B1) (43H)

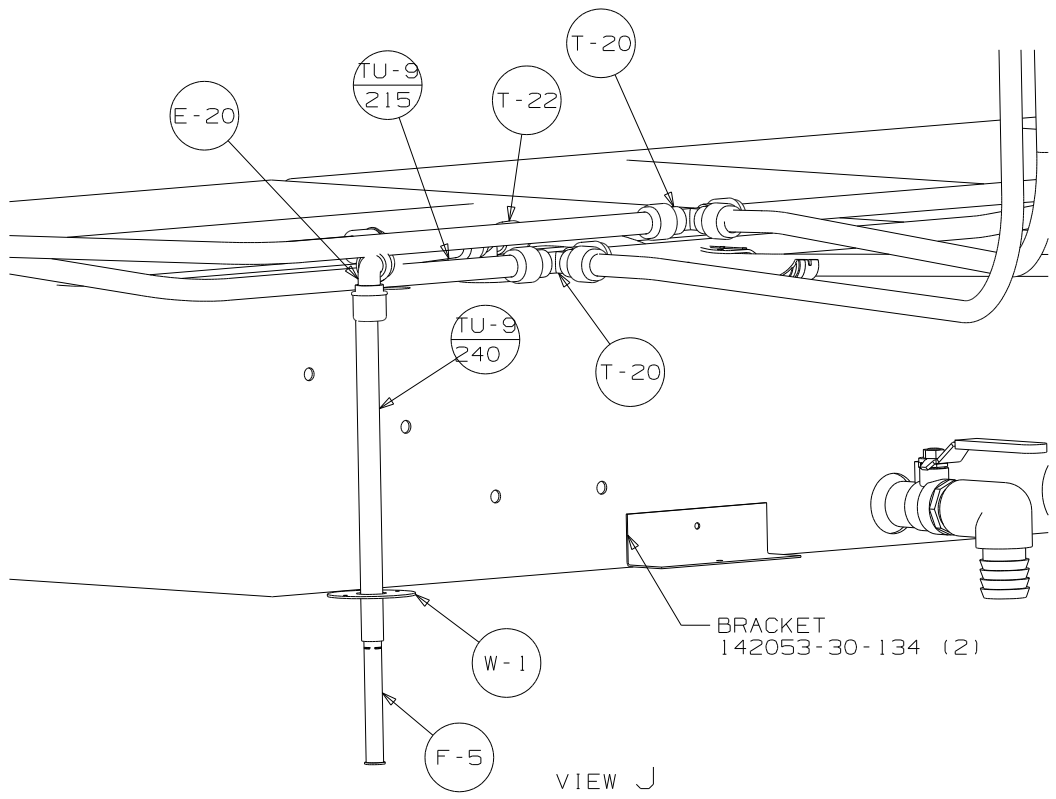
VIEW B

VIEW A

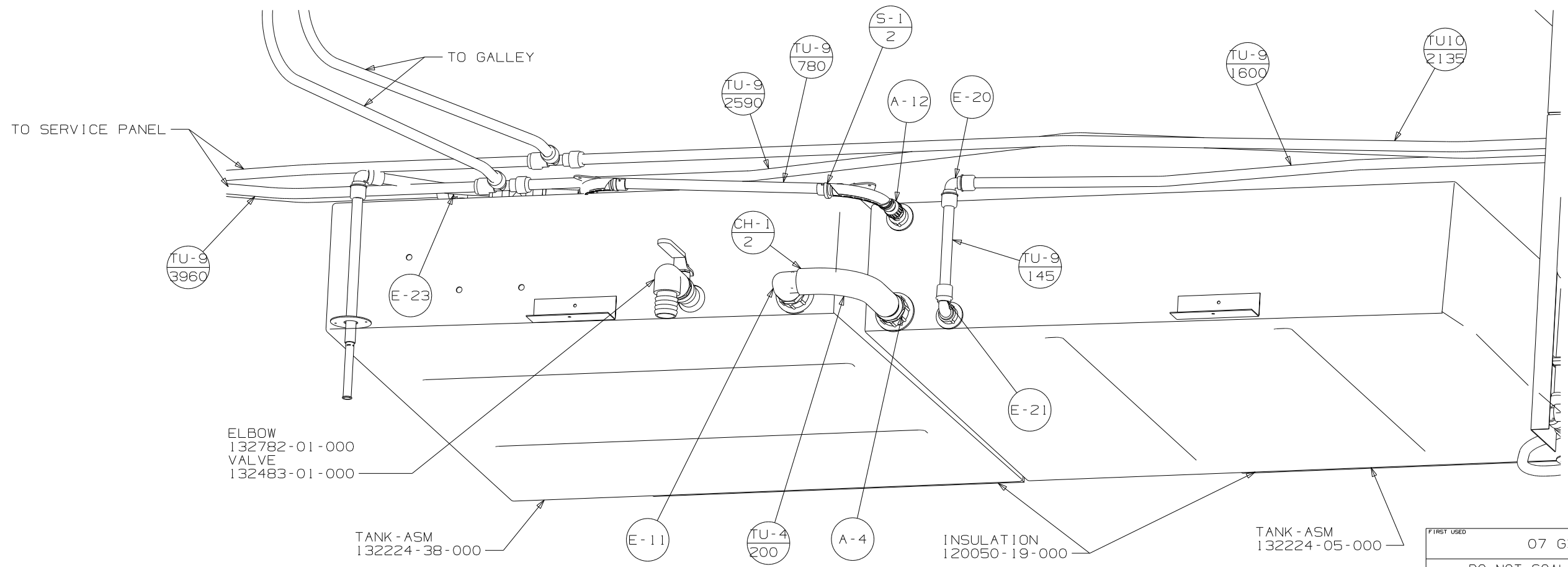
FIRST USED	07 G33V	
TITLE	DO NOT SCALE DRAWING	
TITLE	WATER SYSTEM INSTL	
SHEET 2	PART NO	156456
REV		



FIRST USED	07 G33V
DO NOT SCALE DRAWING	
TITLE	WATER SYSTEM INSTL
SHEET 3	PART NO 156456 REV



VIEW J



VIEW H

FIRST USED	07 G33V
DO NOT SCALE DRAWING	
TITLE	WATER SYSTEM INSTL
SHEET 4	PART NO 156456 REV