



DANGER

Danger of electrical shock, burns or death. Always remove all power sources before attempting any repair, service or diagnostic work. Power can be present from shore power, generator, inverter or battery. All power sources must be disabled and secured before performing any service.

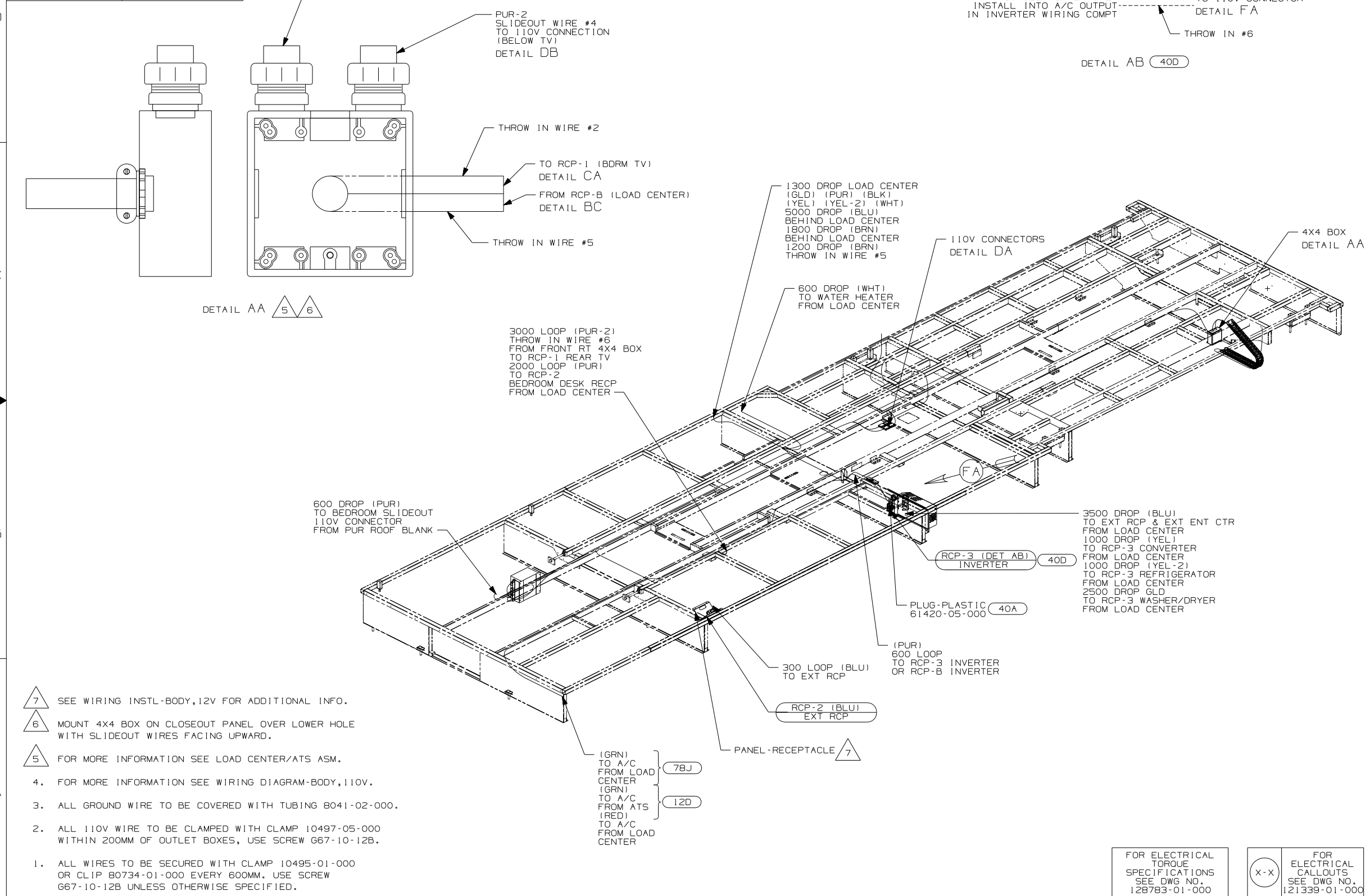


CAUTION

If you lack the skills, tools or equipment to perform diagnostic or repair work leave such work to an authorized Winnebago Industries dealer or other qualified shop.

DRAWING NO.	FEATURES
159389-11	(1B1) (12D)
159389-12	(1B1) (78J)
159389-15	(265) (12D)
159389-16	(265) (78J)

RELEASE	REV DATE	DWG NO	159389
REV ZONE	REVISION RECORD	DATE	DTR-0R16



- NOTES:
- ALL WIRES TO BE SECURED WITH CLAMP 10495-01-000 OR CLIP 80734-01-000 EVERY 600MM. USE SCREW G67-10-12B UNLESS OTHERWISE SPECIFIED.
 - ALL 110V WIRE TO BE CLAMPED WITH CLAMP 10497-05-000 WITHIN 200MM OF OUTLET BOXES, USE SCREW G67-10-12B.
 - ALL GROUND WIRE TO BE COVERED WITH TUBING 8041-02-000.
 - FOR MORE INFORMATION SEE WIRING DIAGRAM-BODY,110V.
 - FOR MORE INFORMATION SEE LOAD CENTER/ATS ASM.
 - MOUNT 4X4 BOX ON CLOSEOUT PANEL OVER LOWER HOLE WITH SLIDEOUT WIRES FACING UPWARD.
 - SEE WIRING INSTL-BODY,12V FOR ADDITIONAL INFO.

- (40A) INVERTER-DC/AC WITHOUT
- (40D) INVERTER-DC/AC,400 WATT
- (265) CODES/STANDARDS - CSA/CMVSS
- (1B1) CODES/STANDARDS - USA
- (1B1) (265)

WINNEBAGO COPYRIGHT 2006 WINNEBAGO INDUSTRIES, INC.

DTR	ORIG. DATE
CHKR	ALL DIMENSIONS ARE IN MILLIMETERS
P.E.	FIRST USED
M.E.	07 F38J
DSNR	

UNSPECIFIED TOLERANCES ARE: MATERIAL:

WHOLE DIM (X)	: 3
ONE-PLACE (X.X)	: 1.5
TWO-PLACE (X.XX)	: 0.50
ANGLE	: 1°

THIRD ANGLE PROJECTION

DO NOT SCALE DRAWING

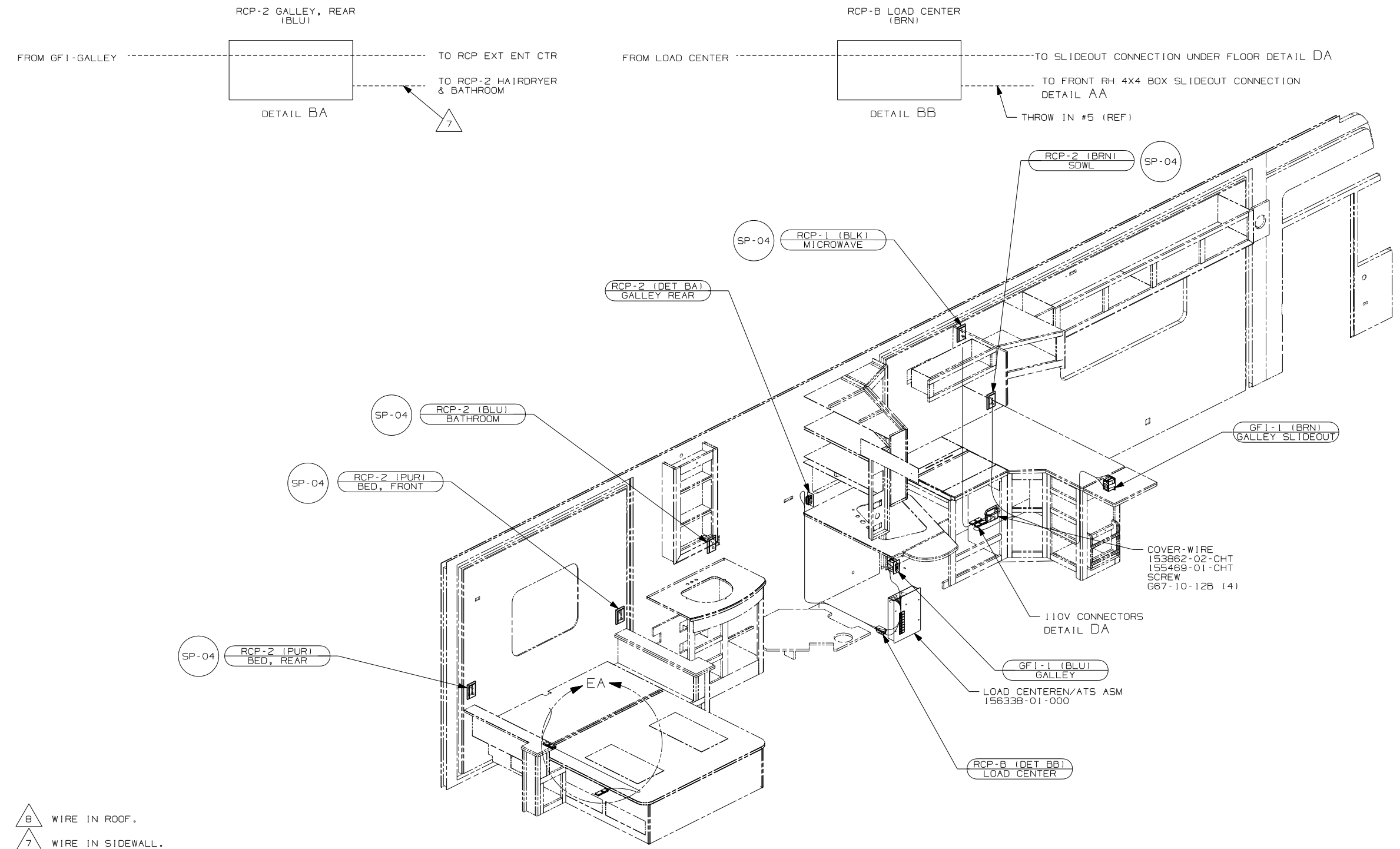
TITLE: WIRING INSTL-BODY,110V

SHEET 1 OF 6 PART NO 159389 REV

REF: 1 6/16/2006

FOR ELECTRICAL TORQUE SPECIFICATIONS SEE DWG NO. 128783-01-000

(X-X) FOR ELECTRICAL CALLOUTS SEE DWG NO. 121339-01-000



- 8 WIRE IN ROOF.
- 7 WIRE IN SIDEWALL.
- 6 WIRE ROUTED THROUGH FLOOR AT THIS POINT.
- 5 FOR MORE INFORMATION SEE LOAD CENTER/ATS ASM.

- 4. FOR MORE INFORMATION SEE WIRING DIAGRAM-BODY,110V.
- 3. ALL GROUND WIRE TO BE COVERED WITH TUBING 8041-02-000.
- 2. ALL 110V WIRE TO BE CLAMPED WITH CLAMP 10497-05-000 WITHIN 200MM OF OUTLET BOXES, USE SCREW G67-10-12B.
- 1. ALL WIRES TO BE SECURED WITH CLAMP 10495-01-000 OR CLIP 80734-01-000 EVERY 600MM. USE SCREW G67-10-12B UNLESS OTHERWISE SPECIFIED.

NOTES:

1B1 CODES/STANDARDS - USA

1B1 265

FIRST USED 07 F38J

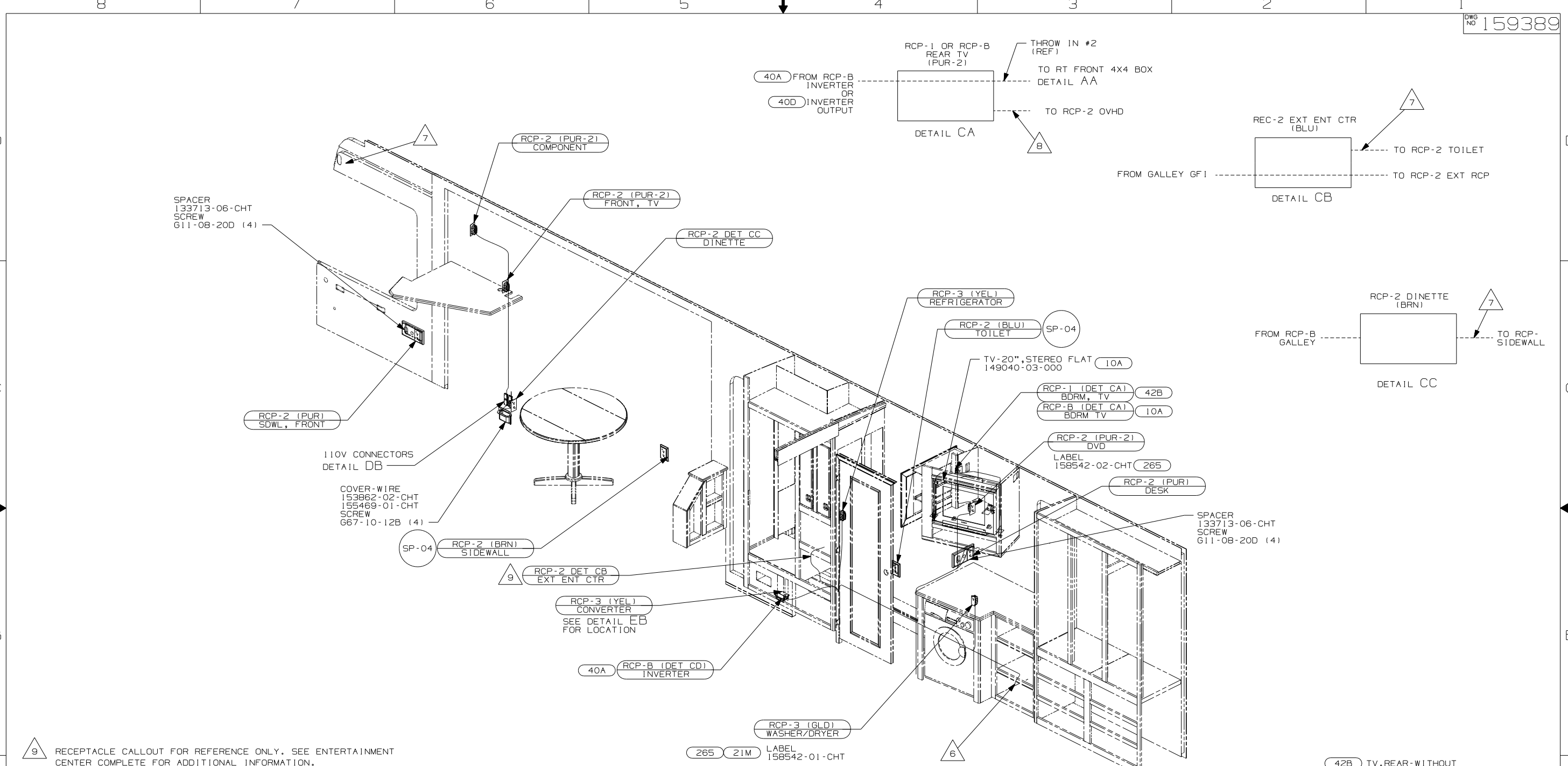
DO NOT SCALE DRAWING

TITLE: WIRING INSTL-BODY,110V

SHEET 2 PART NO 159389 REV

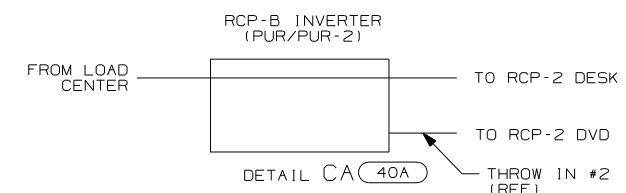
FOR ELECTRICAL TORQUE SPECIFICATIONS SEE DWG NO. 128783-01-000

FOR ELECTRICAL CALLOUTS SEE DWG NO. 121339-01-000



- 9 RECEPTACLE CALLOUT FOR REFERENCE ONLY. SEE ENTERTAINMENT CENTER COMPLETE FOR ADDITIONAL INFORMATION.
- 8 WIRE IN ROOF.
- 7 WIRE IN SIDEWALL.
- 6 WIRE ROUTED THROUGH FLOOR AT THIS POINT.
- 5 FOR MORE INFORMATION SEE LOAD CENTER/ATS ASM.
4. FOR MORE INFORMATION SEE WIRING DIAGRAM-BODY,110V.
3. ALL GROUND WIRE TO BE COVERED WITH TUBING 8041-02-000.
2. ALL 110V WIRE TO BE CLAMPED WITH CLAMP 10497-05-000 WITHIN 200MM OF OUTLET BOXES, USE SCREW G67-10-12B.
1. ALL WIRES TO BE SECURED WITH CLAMP 10495-01-000 OR CLIP 80734-01-000 EVERY 600MM. USE SCREW G67-10-12B UNLESS OTHERWISE SPECIFIED.

NOTES:

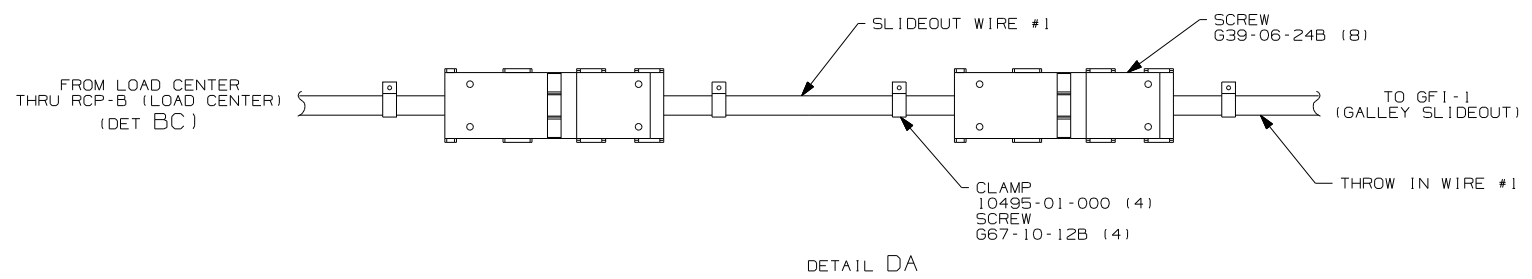
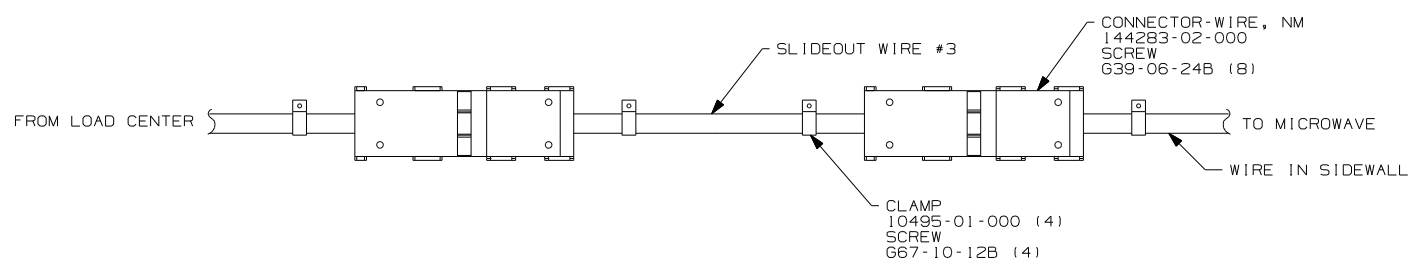
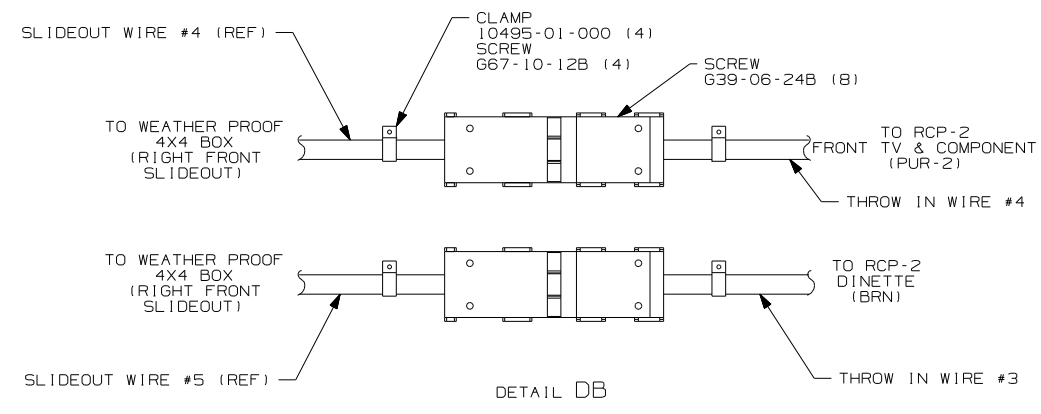


FOR ELECTRICAL TORQUE SPECIFICATIONS SEE DWG NO. 128783-01-000

(X-X) FOR ELECTRICAL CALLOUTS SEE DWG NO. 121339-01-000

- (42B) TV, REAR-WITHOUT
- (40D) INVERTER-DC/AC, 600 WATT
- (40A) INVERTER-DC/AC WITHOUT
- (21M) WASHER/DRYER PREP
- (10A) TV (REAR) -20" COLOR, STEREO
- (265) CODES/STANDARDS-CSA/CMVSS
- (1B1) CODES/STANDARDS USA

FIRST USED	07 F38J
TITLE	DO NOT SCALE DRAWING
WIRING INSTL-BODY, 110V	
SHEET 3	PART NO 159389 REV



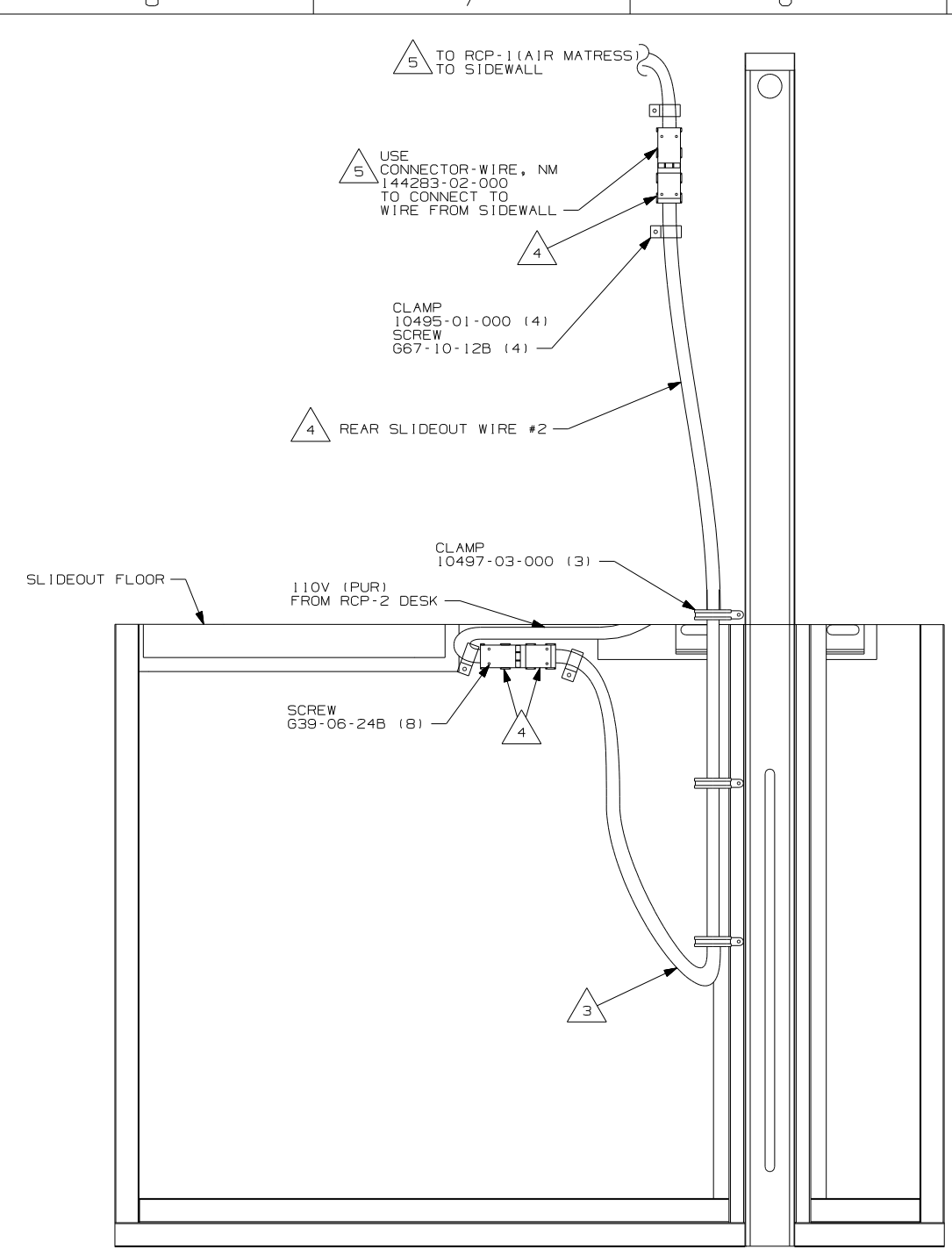
- (78J) ELECTRICAL SYTEM - 50 AMP
- (265) CODES/STANDARDS - CSA/CMVSS
- (1B1) CODES/STANDARDS - USA

(1B1) (265) (78J)

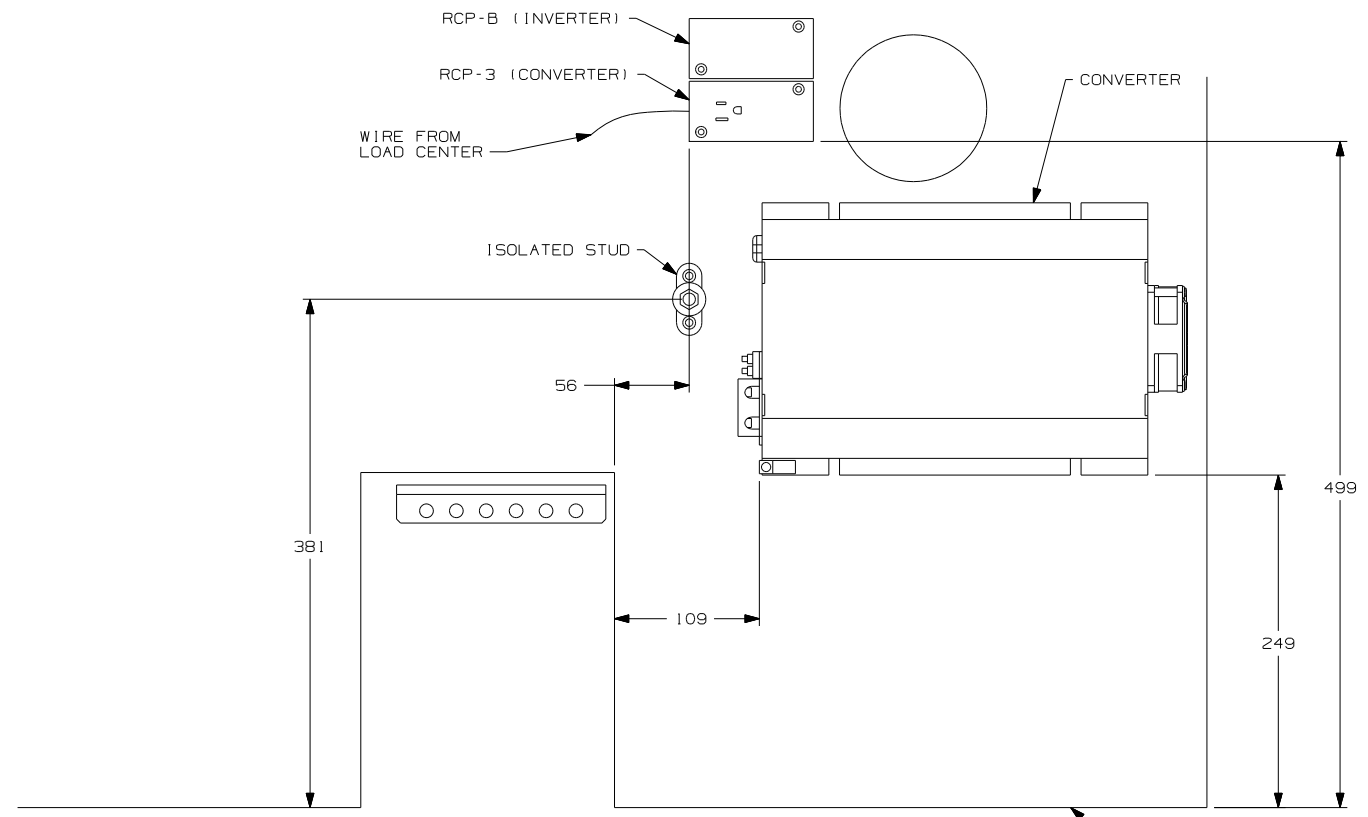
FIRST USED	07 F38J	
TITLE	DO NOT SCALE DRAWING	
	WIRING INSTL-BODY, 110V	
SHEET 4	PART NO	REV
	159389	

FOR ELECTRICAL TORQUE SPECIFICATIONS SEE DWG NO. 128783-01-000

(X-X) FOR ELECTRICAL CALLOUTS SEE DWG NO. 121339-01-000



DETAIL EA 4



DETAIL EB

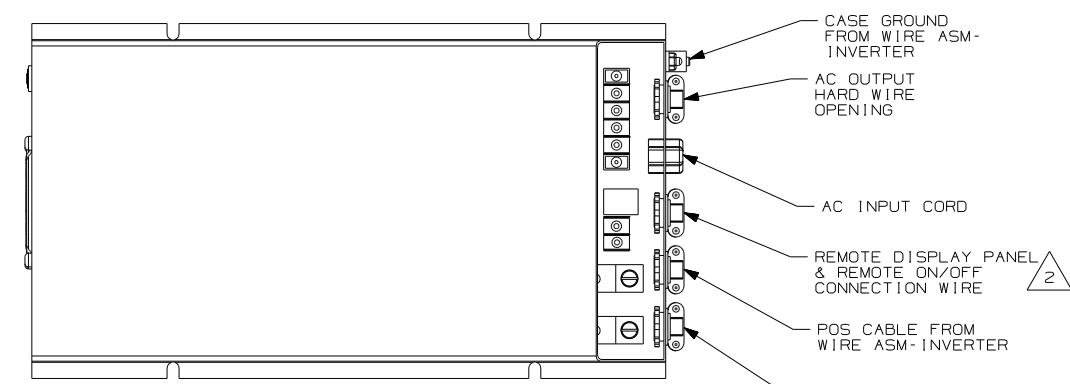
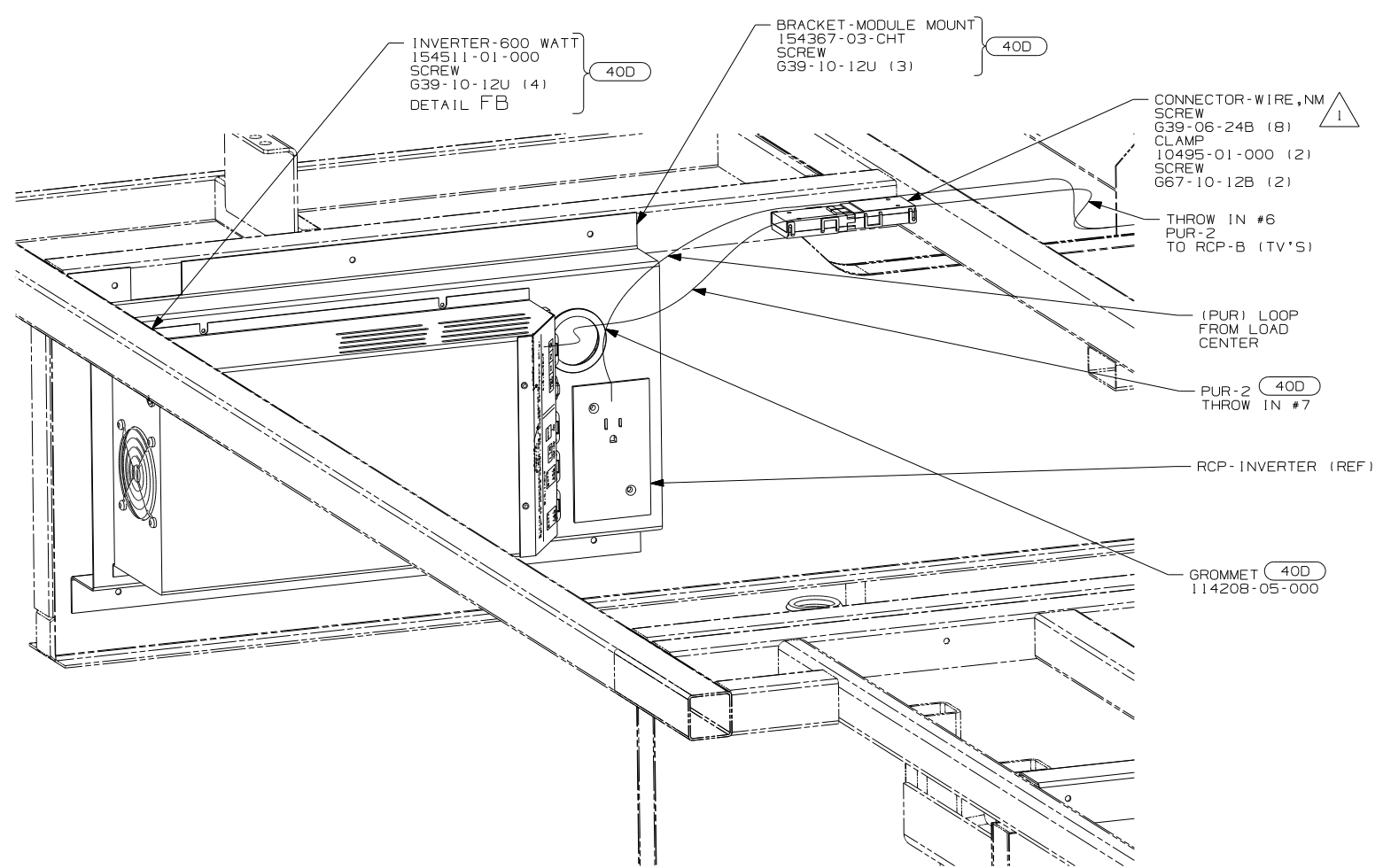
- NOTES:
- 5 WITH OUT 49M
 - 4 FOR MORE INFORMATION SEE LOAD CENTER/ATS ASM.
 - 3 MAKE LOOP AS SMALL AS POSSIBLE WHEN SLIDEOUT IS COMPLETELY RETRACTED.
 - 2 RUN 12V WIRE ALONG WITH REAR SLIDEOUT WIRE.
 - 1 WIRE MUST BE ROUTED THROUGH CLAMPS AS SHOWN.

49M SLEEP NUMBER BED-QUEEN SIZE

FOR ELECTRICAL TORQUE SPECIFICATIONS SEE DWG NO. 128783-01-000

(X-X) FOR ELECTRICAL CALLOUTS SEE DWG NO. 121339-01-000

FIRST USED		07 F38J	
DO NOT SCALE DRAWING			
TITLE: WIRING INSTL-BODY, 110V			
SHEET 5	PART NO	159389	REV



VIEW FA

DETAIL FB

40D INVERTER-DC/AC, 600 WATT

NOTES:

2 WB FROM WIRE ASM-COACH TO PUR WIRE FROM INVERTER.

1 FOR MORE INFORMATION SEE LOAD CENTER/ATS ASM.

FIRST USED	07 F38J	
TITLE	DO NOT SCALE DRAWING	
	WIRING INSTL-BODY, 110V	
SHEET 6	PART NO 159389	REV