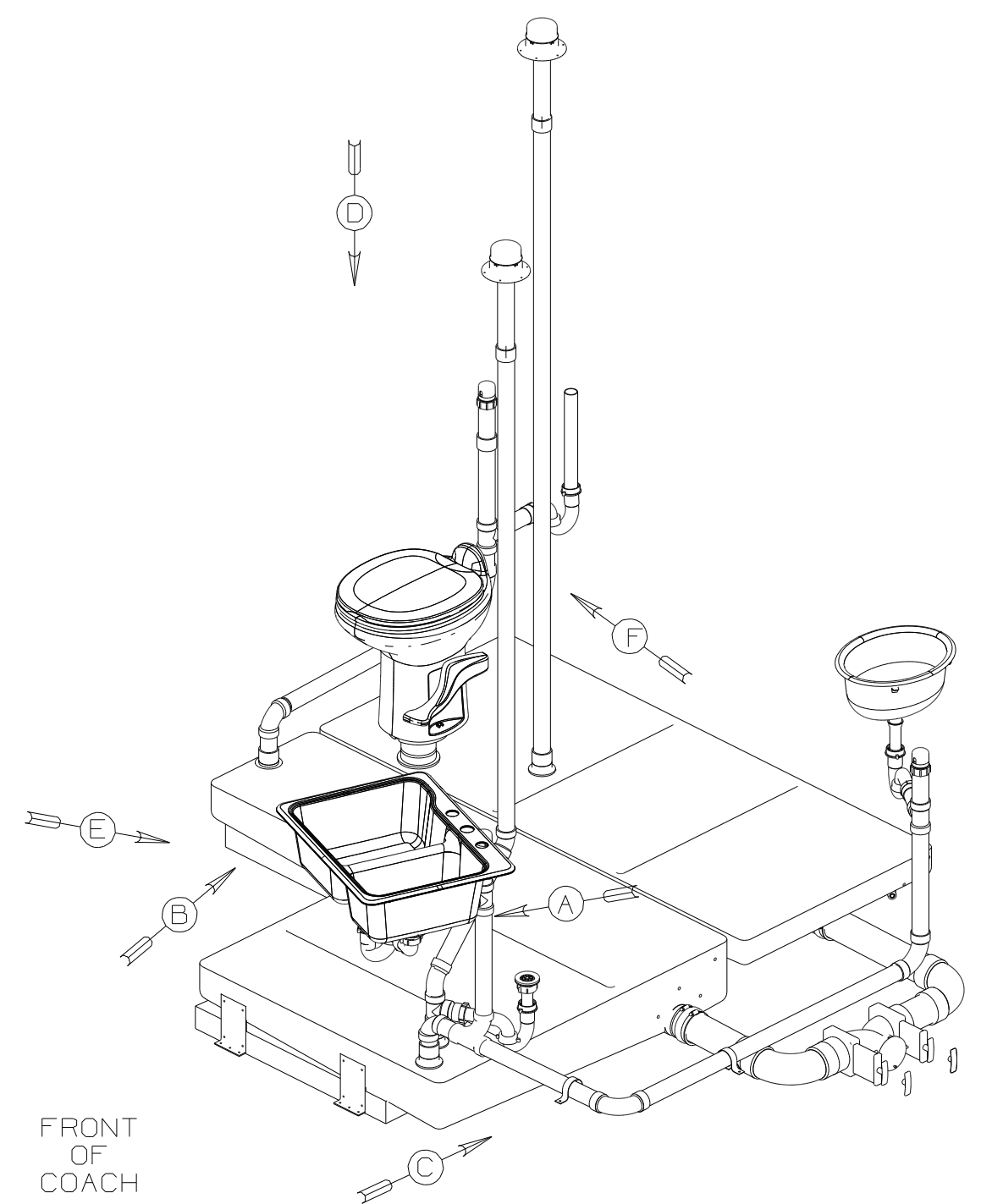


DWG NO	--
158802-01	(WIN)
158802-02	(ITA)

RELEASE	REV DATE	DWG NO
A		158802
REV ZONE	REVISION RECORD	DATE

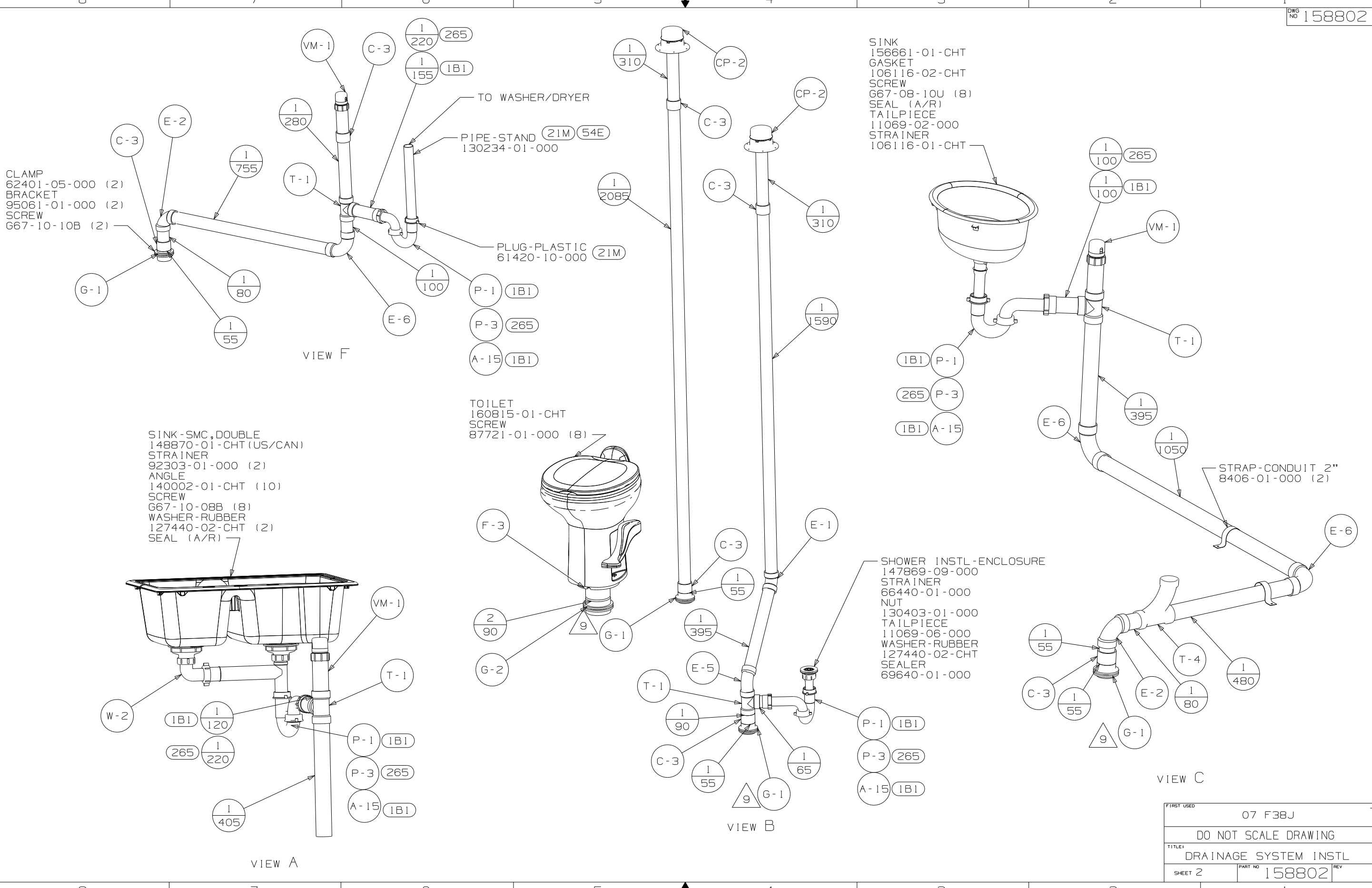


- FRONT OF COACH
9. SECURE PIPES TO FLOOR USING BRACKET 136878-01-CHT (3) CLAMP 62401-02-000 (3) AND SCREW G67-10-12B (3).
  8. SECURE PIPES TO CABINET USING WIRE TIE 108046-02-000 AND SCREW G67-10-12U (8).
  7. SEE DWG 61607-01-000 FOR INSTL OF GROMMET.
  6. VENT PIPE MUST PROJECT 51 MIN AND 64 MAX ABOVE ROOF FOR PROPER FIT AND FUNCTION.
  5. SEAL AROUND SHOWER WITH SILICONE.
  4. ALL EXTERIOR OPENINGS AROUND PIPE TO BE SEALED WITH 110744-01-000.
  3. ALL PIPE AND FITTINGS TO BE ASSEMBLED WITH SOLVENT 4020-01-000.
  2. SLOPE OF TRAP ARM MUST BE 6 PER 305 mm.
  1. SLOPE OF HORIZONTAL PIPING TO BE MIN 3 PER 305 mm.

- (WIN) WINNEBAGO ONLY
- (ITA) ITASCA ONLY
- (IB1) CODES/STANDARDS USA
- (265) CODES/STDS-CSA/CMVSS

<b>WINNEBAGO</b>		COPYRIGHT 2007 WINNEBAGO INDUSTRIES, INC.	
DFT	ORIG. DATE	ALL DIMENSIONS ARE IN MILLIMETERS	
CHKR		FIRST USED	
P.E.		07 F38J	
M.E.			
DSNR			
UNSPECIFIED TOLERANCES ARE:		MATERIAL:	
WHOLE DIM (X)	: 5		
ONE-PLACE (X.X)	:		
TWO-PLACE (X.XX)	:		
ANGLE	:		
THIRD ANGLE PROJECTION			
DO NOT SCALE DRAWING			
TITLE: DRAINAGE SYSTEM INSTL			
SHEET 1 OF 3	PART NO	158802	REV

(X-X)  
FOR  
DRAINAGE  
CALLOUTS  
SEE DWG NO  
116229-01-000



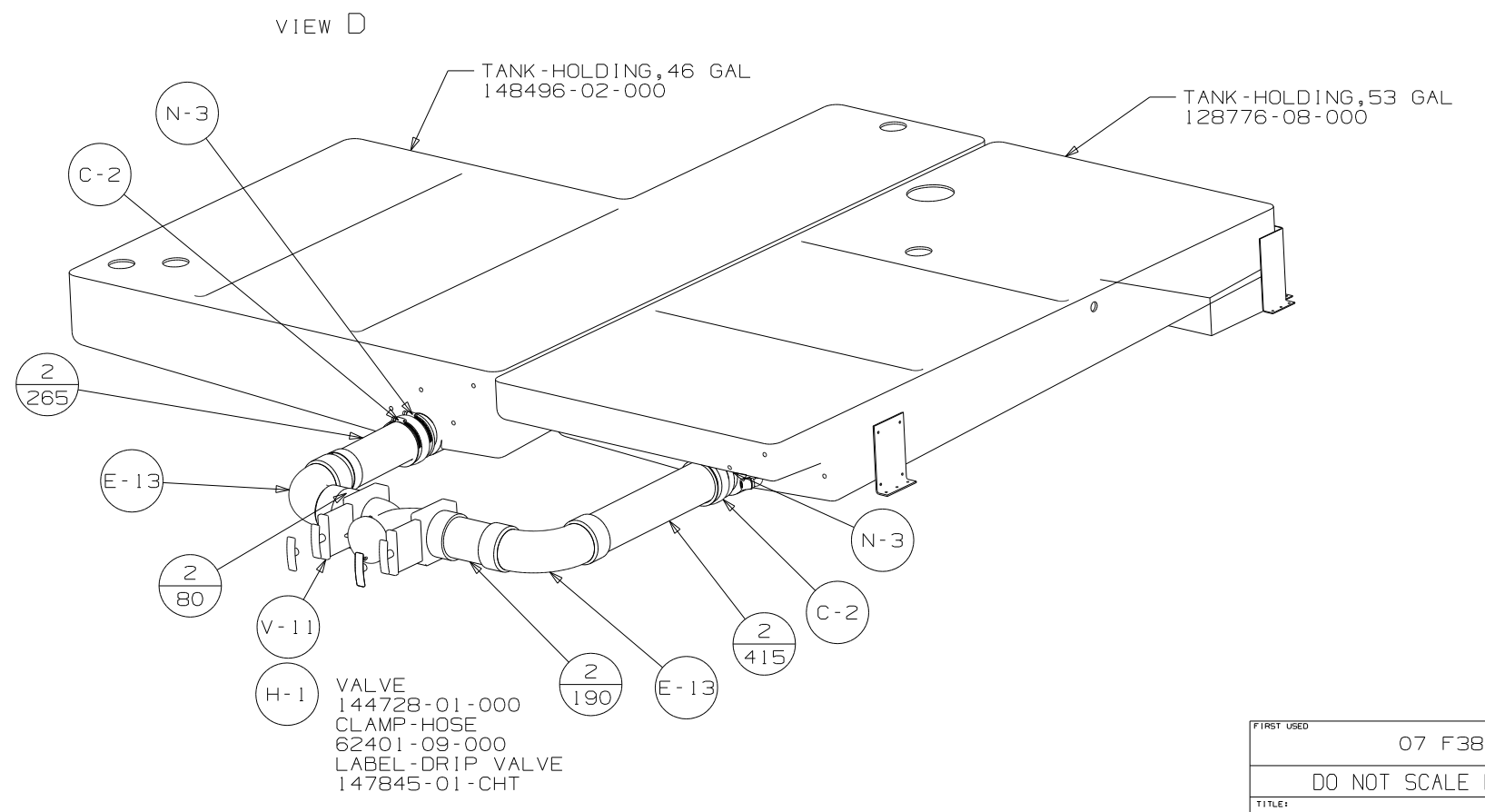
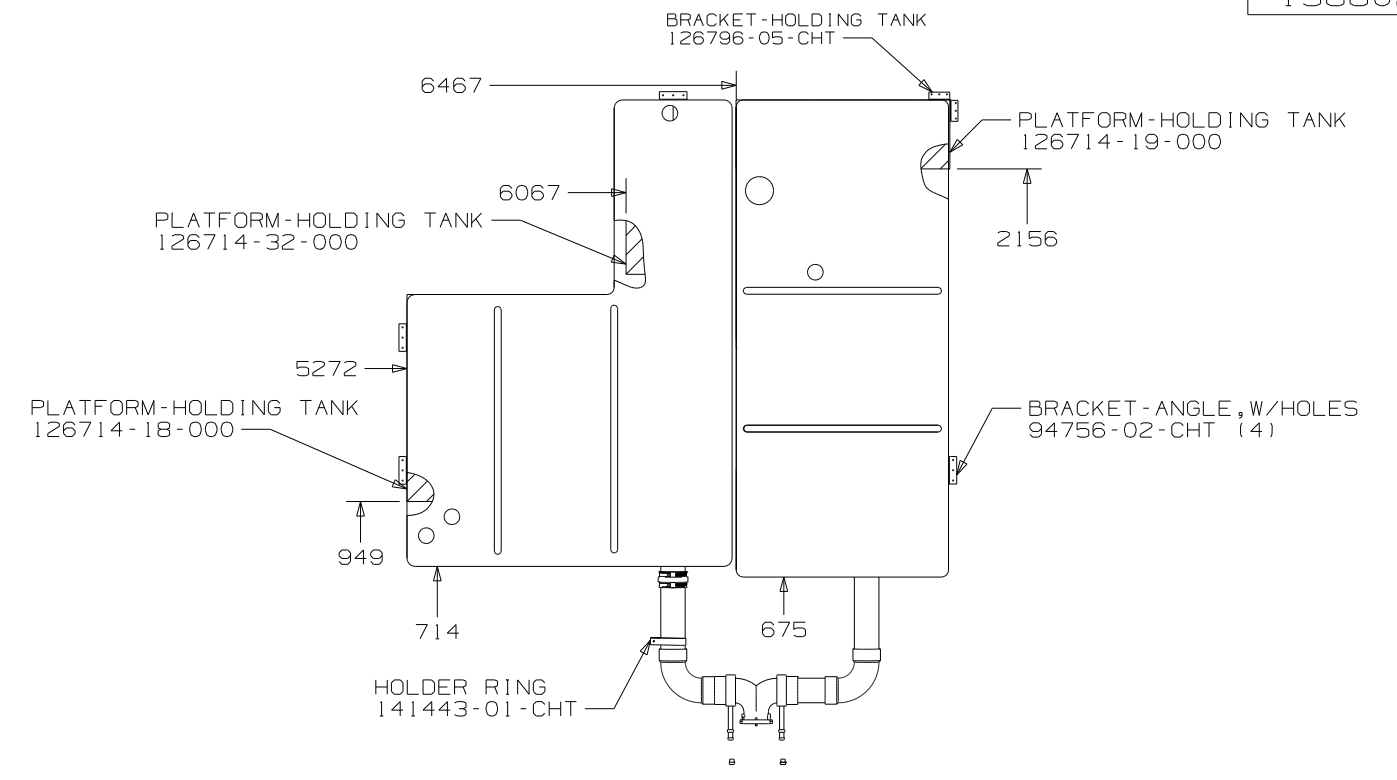
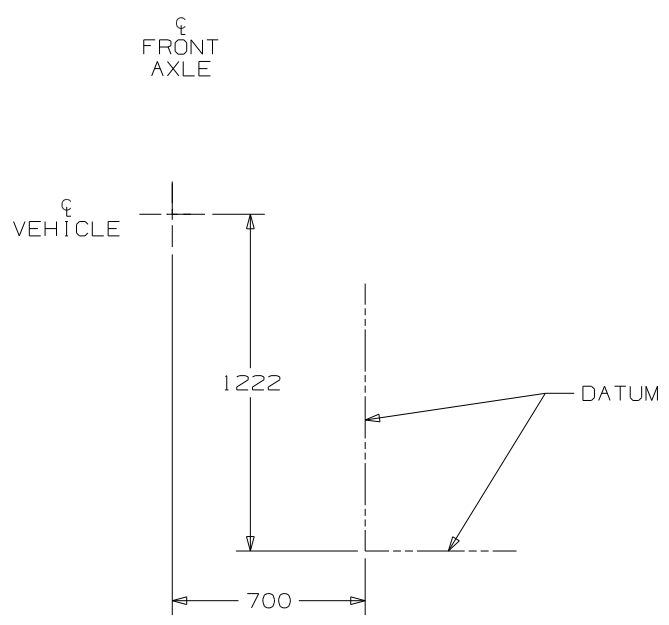
CLAMP  
62401-05-000 (2)  
BRACKET  
95061-01-000 (2)  
SCREW  
667-10-10B (2)

SINK - SMC, DOUBLE  
148870-01-CHT (US/CAN)  
STRAINER  
92303-01-000 (2)  
ANGLE  
140002-01-CHT (10)  
SCREW  
667-10-08B (8)  
WASHER-RUBBER  
127440-02-CHT (2)  
SEAL (A/R)

TOILET  
160815-01-CHT  
SCREW  
87721-01-000 (8)

SINK  
156661-01-CHT  
GASKET  
106116-02-CHT  
SCREW  
667-08-10U (8)  
SEAL (A/R)  
11069-02-000  
TAILPIECE  
11069-06-000  
WASHER-RUBBER  
127440-02-CHT  
SEALER  
69640-01-000

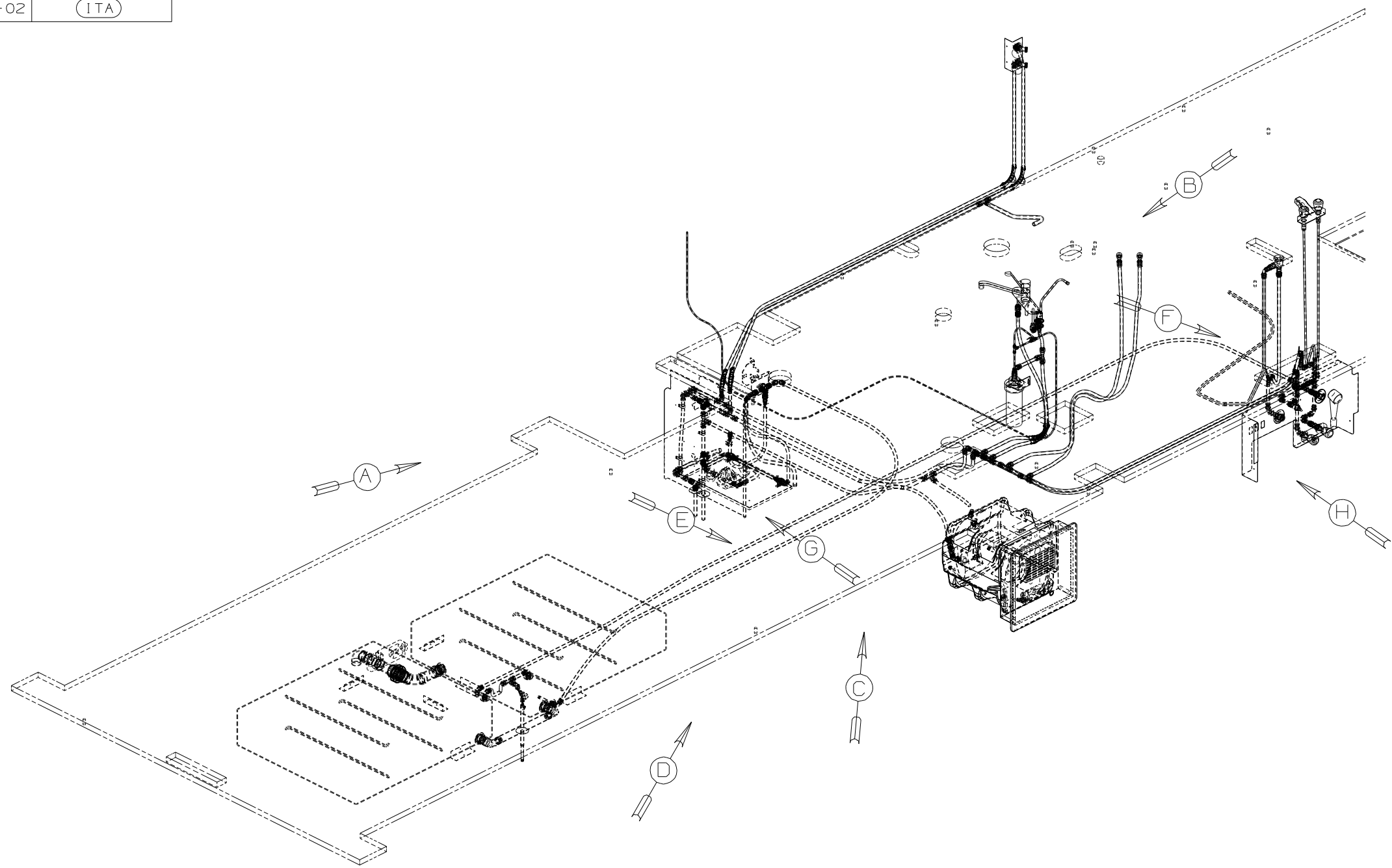
FIRST USED	07 F38J		
TITLE	DO NOT SCALE DRAWING		
	DRAINAGE SYSTEM INSTL		
SHEET 2	PART NO	158802	REV
			1 2/7/2007



FIRST USED	07 F38J	
TITLE	DO NOT SCALE DRAWING	
	DRAINAGE SYSTEM INSTL	
SHEET 3	PART NO 158802	REV

DWG NO	--
158801-01	(WIN)
158801-02	(ITA)

RELEASE	REV DATE	DWG NO
A		158801
REV ZONE	REVISION RECORD	DATE DFR-ORIG

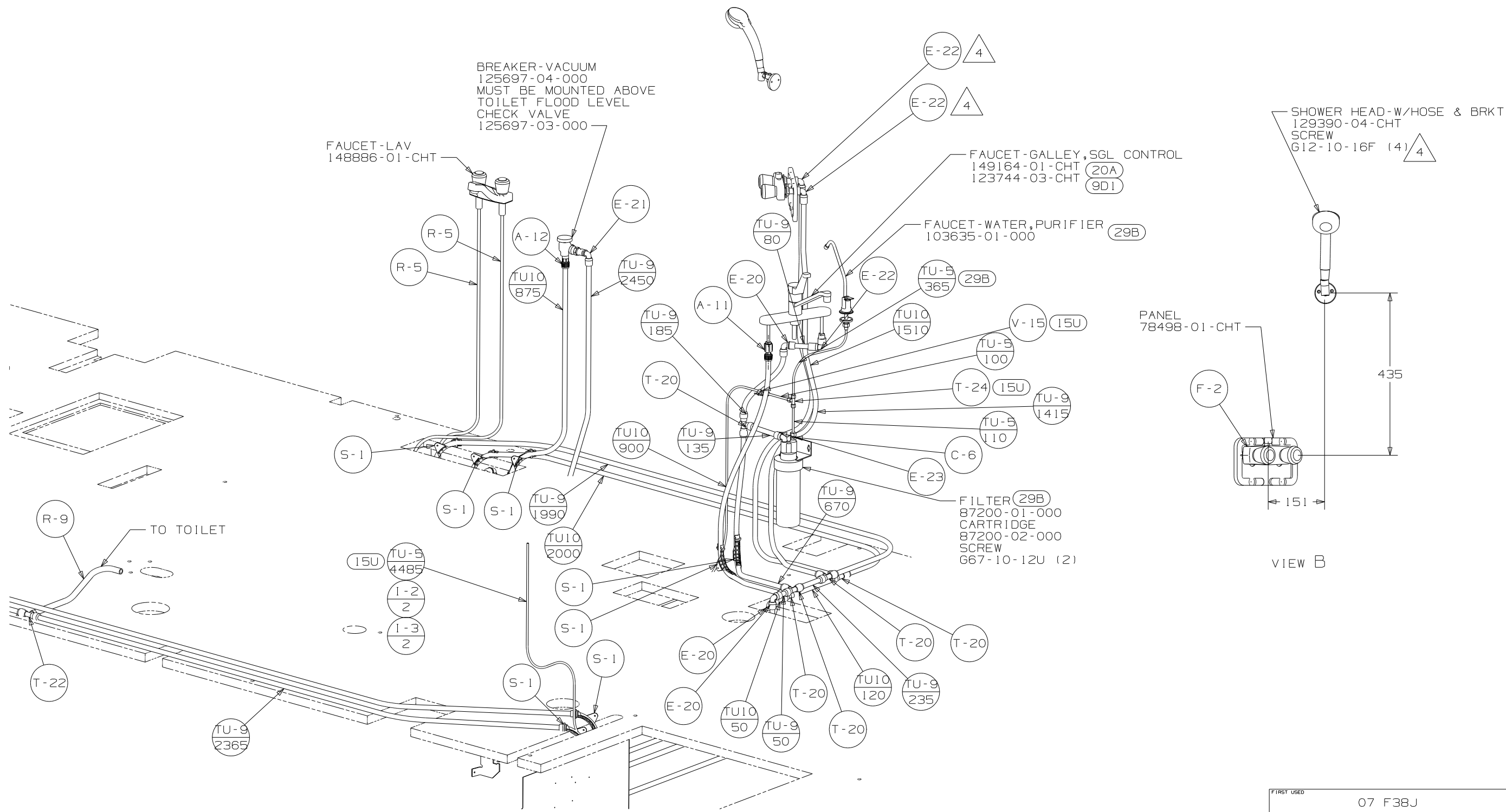


- (WIN) WINNEBAGO ONLY
- (ITA) ITASCA ONLY
- (20A) APPLIANCE PKG-STAINLESS S W/O
- (9D1) APPLIANCE PKG-STAINLESS STEEL
- (53D) WTR HTR-6 GAL/ELEC/LP/MTR AID
- (1B2) WTR HTR-10 GAL/ELEC/LP/MTR AID
- (611) WTR HTR-AUX AUTO/MOTORAID
- (29B) WATER PURIFIER
- (54E) WASHER/DRYER
- (9B1) SHOWER PACKAGE
- (15U) REFRIGERATOR/FRZR W/ICEMAKER

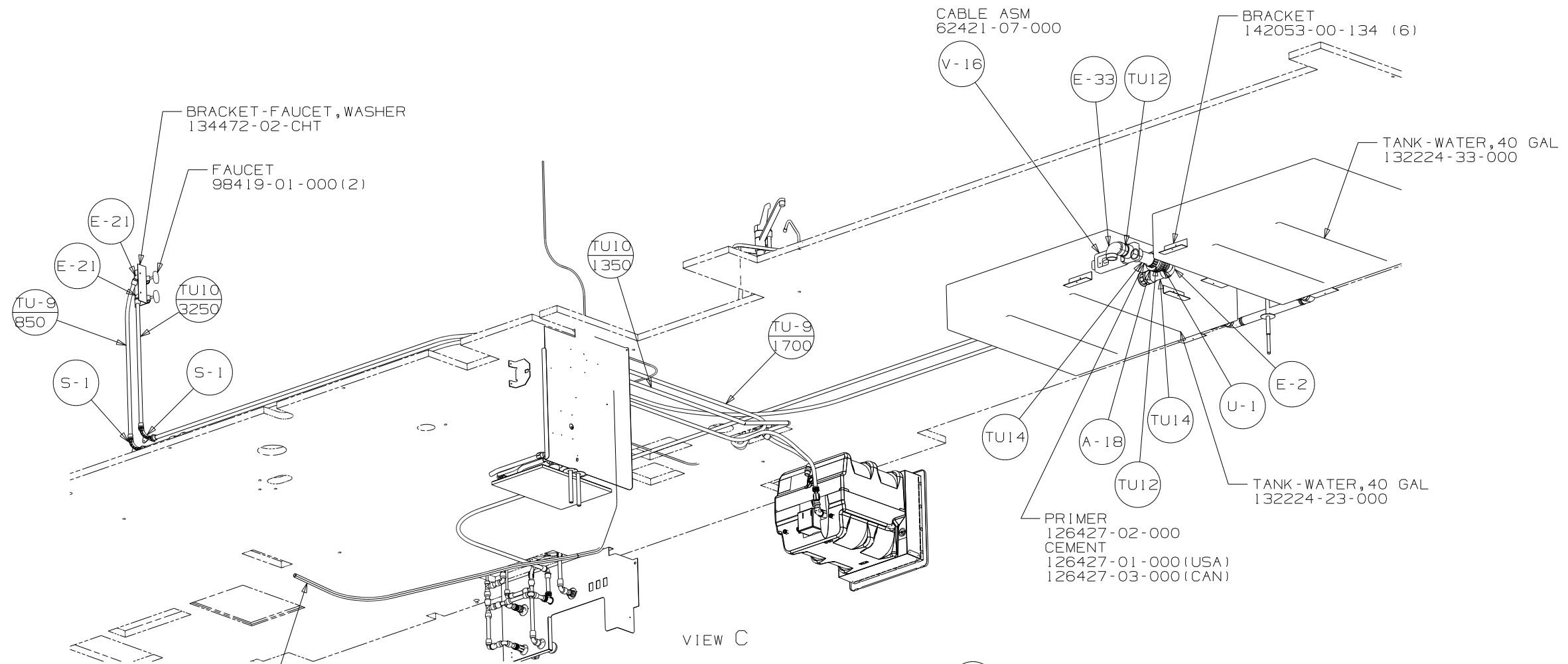
- NOTES:
1. PLASTIC FITTINGS TO BE SEALED WITH SEALANT 84456-01-000.
  2. TUBING TO BE INSTALLED WITH SUFFICIENT SLOPE TO PROVIDE DRAINAGE TO NEAREST VALVE.
  3. ALL TUBING TO BE SECURED AT 1200 INTERVALS MAXIMUM WITH CLAMP 10495-01-000 AND SCREW G67-10-12B OR EQUIVALENT.
4. ADD TEFLON TAPE 10405-01-000.  
 5. ADD TEFLON TAPE 10405-02-000.  
 6. ADD TEFLON TAPE 10405-03-000.

(X-X)  
 FOR WATER CALLOUTS  
 SEE DWG NO 116230-01-000

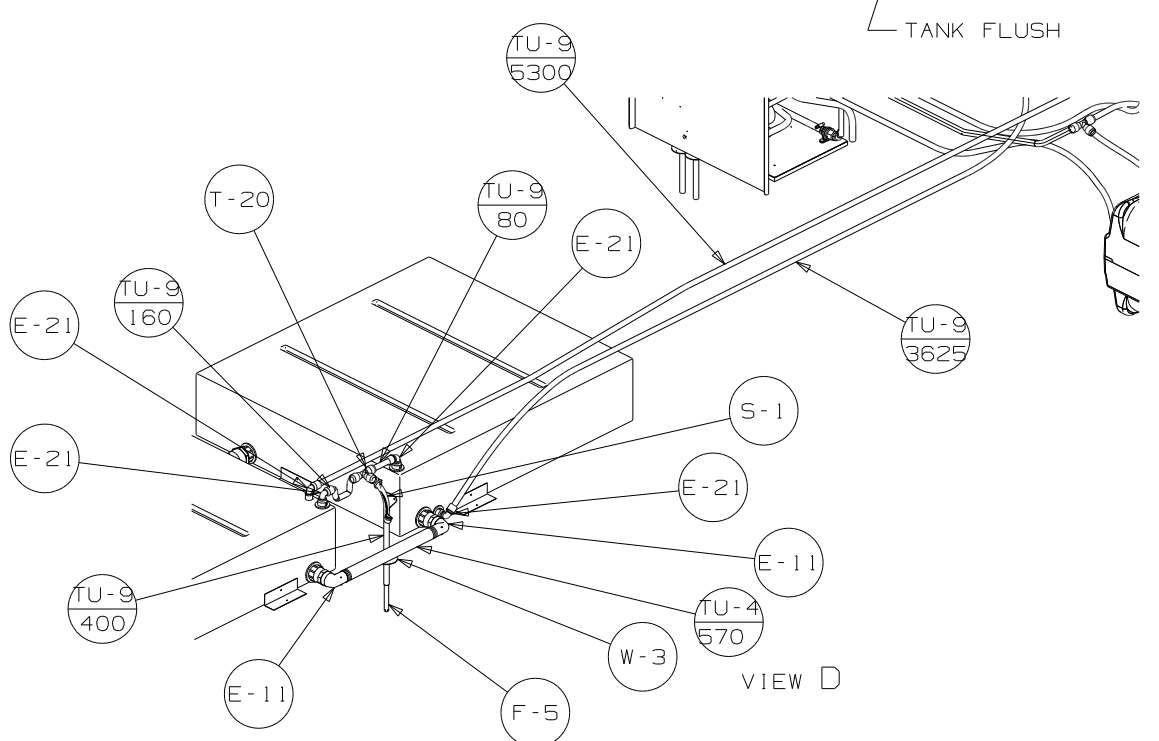
<b>WINNEBAGO</b>		COPYRIGHT 2006 WINNEBAGO INDUSTRIES, INC.	
DFTR	ORIG. DATE	ALL DIMENSIONS ARE IN MILLIMETERS	
CHKR		FIRST USED	
P.E.		07 F38J	
M.E.		UNSPECIFIED TOLERANCES ARE:	
DSNR		MATERIAL:	
		WHOLE DIM (X)	: 3
		ONE-PLACE (X.X)	:
		TWO-PLACE (X.XX)	:
		ANGLE	:
THIRD ANGLE PROJECTION		DO NOT SCALE DRAWING	
TITLE: WATER SYSTEM INSTL			
SHEET 1 OF 4	PART NO	158801	REV
REF	10/18/2006		



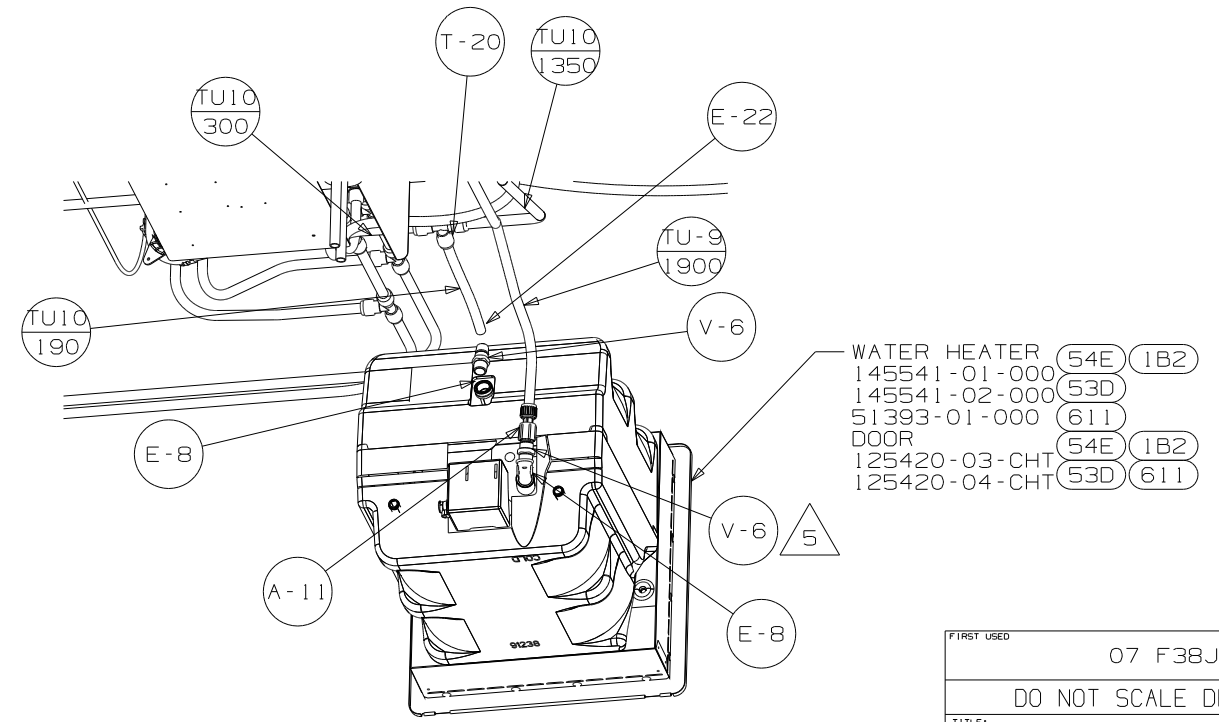
FIRST USED	07 F38J		
TITLE	DO NOT SCALE DRAWING		
	WATER SYSTEM INSTL		
SHEET 2	PART NO	158801	REV



VIEW C



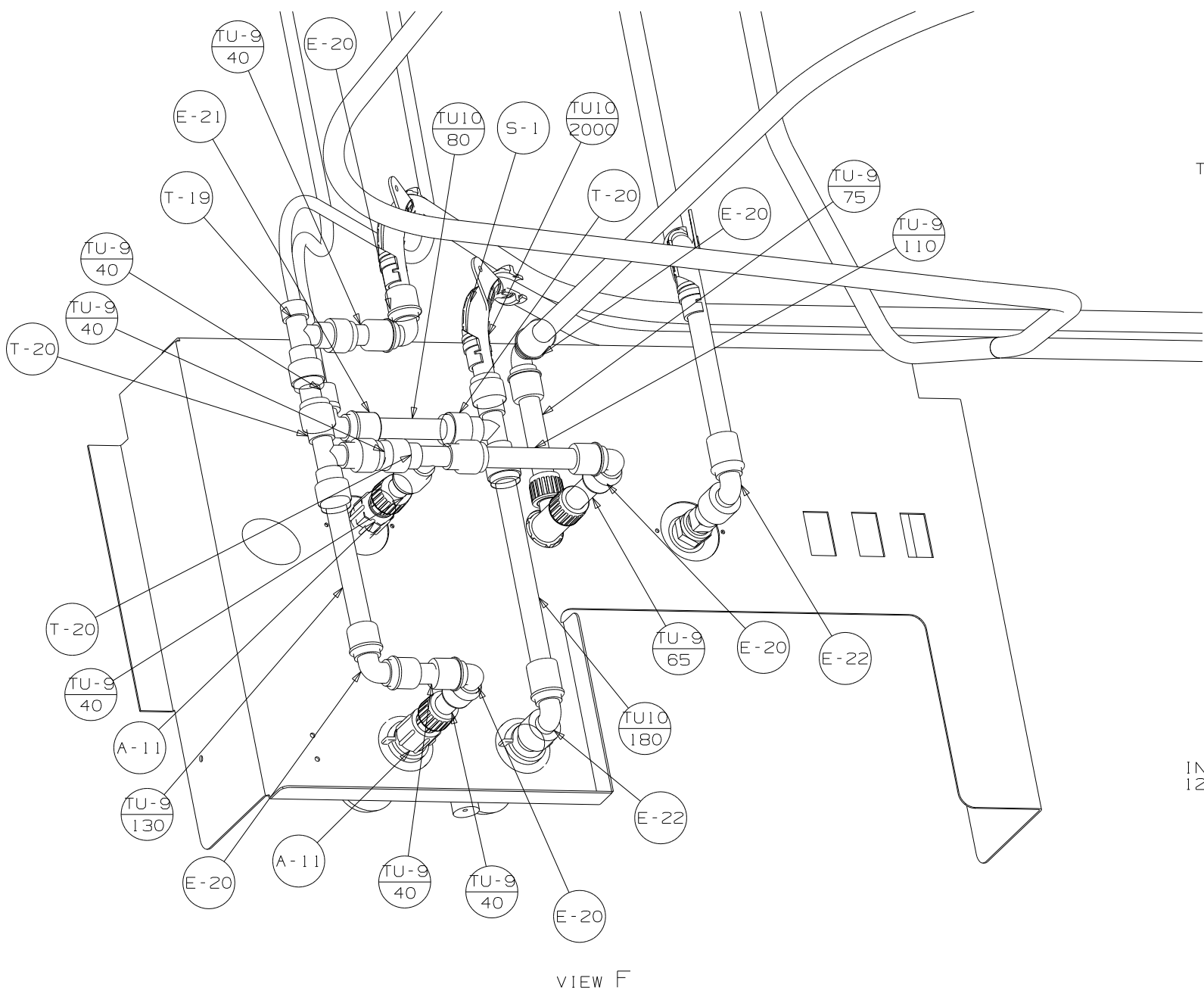
VIEW D



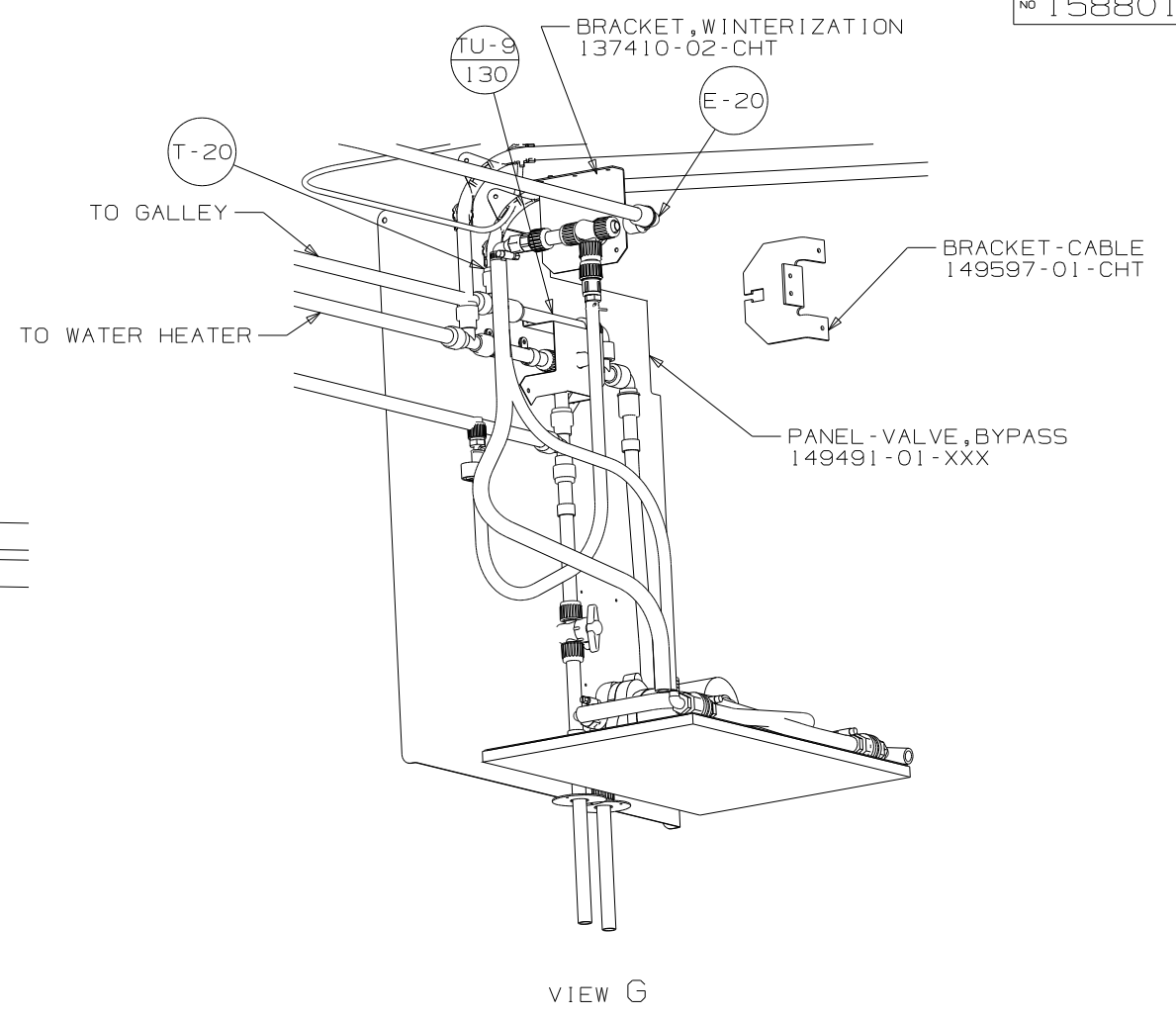
VIEW E

- WATER HEATER 145541-01-000 (54E) (1B2)
- 145541-02-000 (53D)
- 51393-01-000 (611)
- DOOR 125420-03-CHT (54E) (1B2)
- 125420-04-CHT (53D) (611)

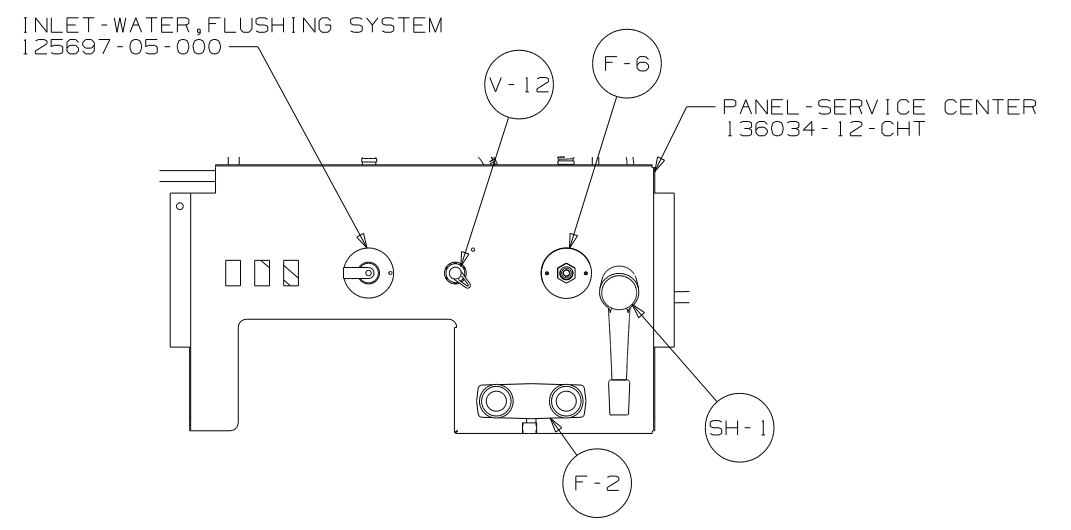
FIRST USED	07 F38J		
TITLE	DO NOT SCALE DRAWING		
SHEET 3	PART NO	158801	
REV			



VIEW F



VIEW G



VIEW H

FIRST USED	07 F38J		
TITLE	DO NOT SCALE DRAWING		
	WATER SYSTEM INSTL		
SHEET 4	PART NO	158801	REV