



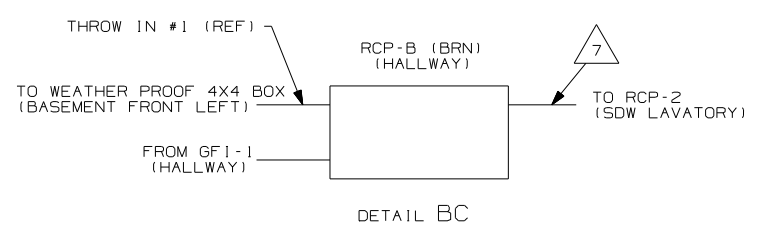
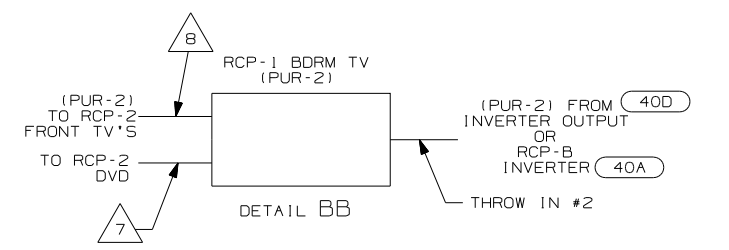
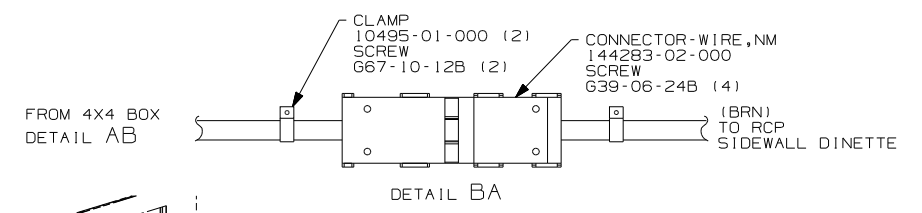
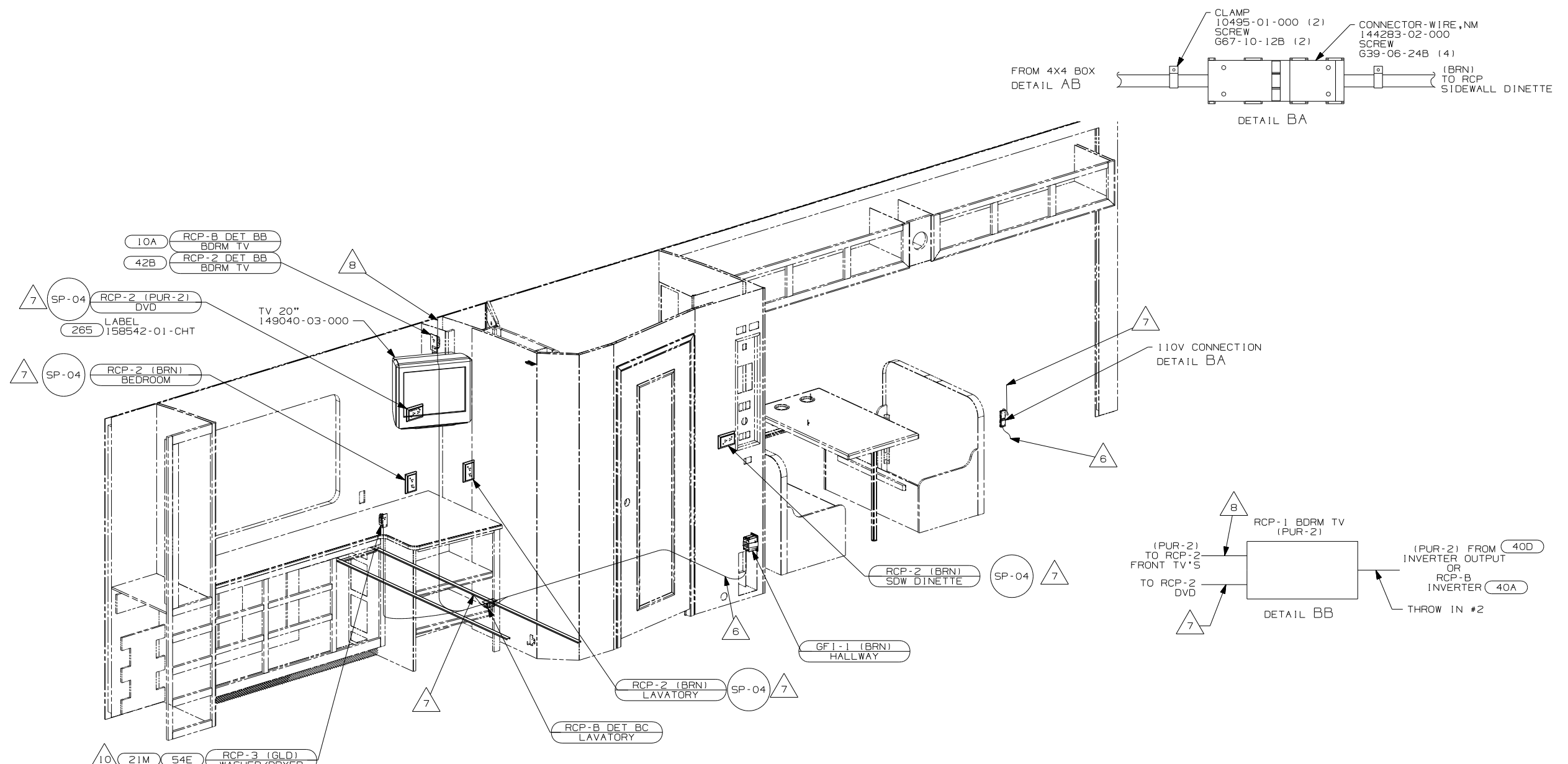
DANGER

Danger of electrical shock, burns or death. Always remove all power sources before attempting any repair, service or diagnostic work. Power can be present from shore power, generator, inverter or battery. All power sources must be disabled and secured before performing any service.



CAUTION

If you lack the skills, tools or equipment to perform diagnostic or repair work leave such work to an authorized Winnebago Industries dealer or other qualified shop.



- 10 NOT USED WITH 23C.
- 9 DIMENSIONS ARE TO TOP OF MOUNTING SCREW ON BACK PLATE.
- 8 WIRE IN ROOF
- 7 WIRE IN SIDEWALL.
- 6 WIRE PASSES THROUGH FLOOR AT THIS POINT.
- 5 FOR ADDITIONAL INFORMATION SEE LOAD CENTER/ATS ASM.

4. FOR ADDITIONAL INFORMATION SEE WIRING DIAGRAM-BODY 110V.
3. ALL GROUND WIRE TO BE COVERED WITH TUBING 8041-012-000.
2. ALL 110V WIRES TO BE CLAMPED WITH CLAMP 10497-05-000 WITHIN 200MM OF OUTLET BOXES, USE SCREW G67-10-12B.
1. ALL WIRES TO BE SECURED WITH CLAMP 10495 OR 10497 OR WIRE TIE 8343 OR 108046 EVERY 600MM, USE SCREW G67-XX-XXX OR G56-XX-XXX AS APPROPRIATE FOR INSTALLATION.

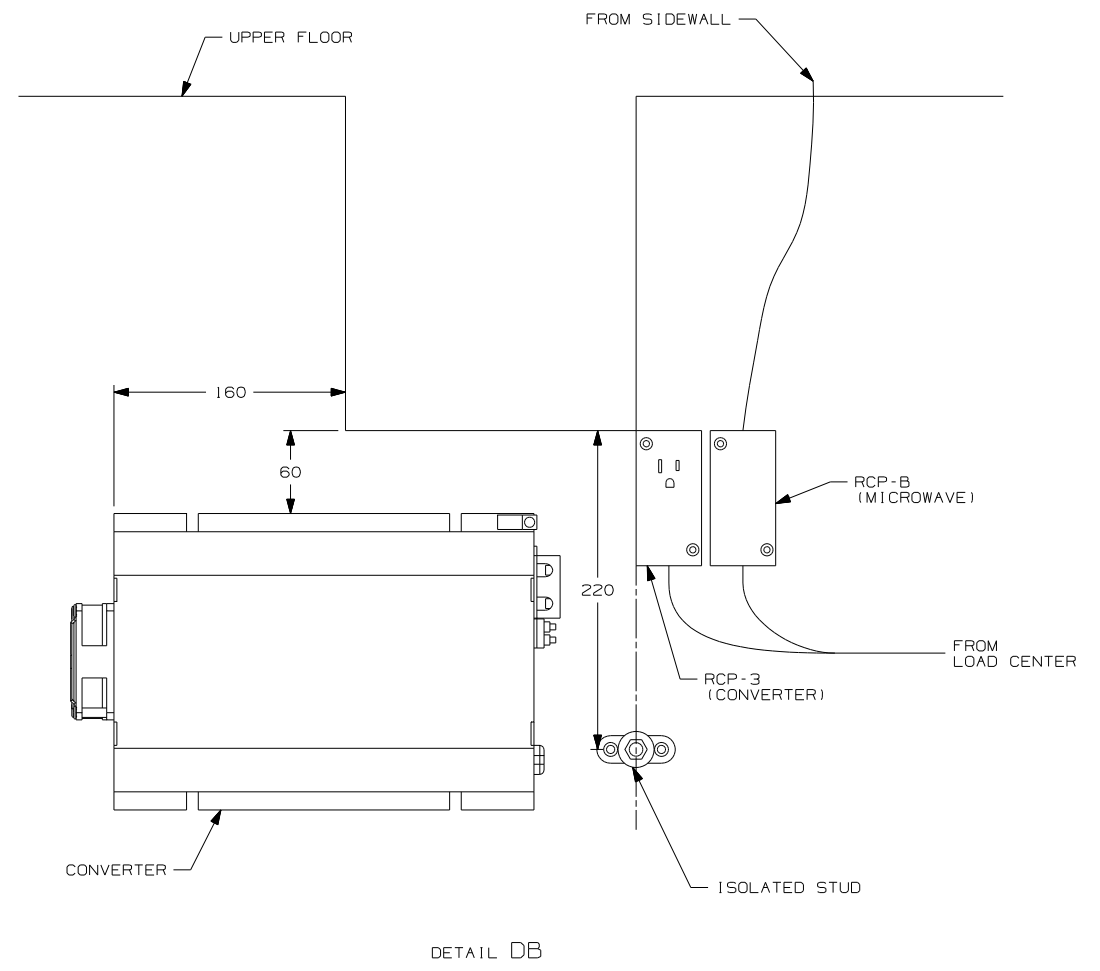
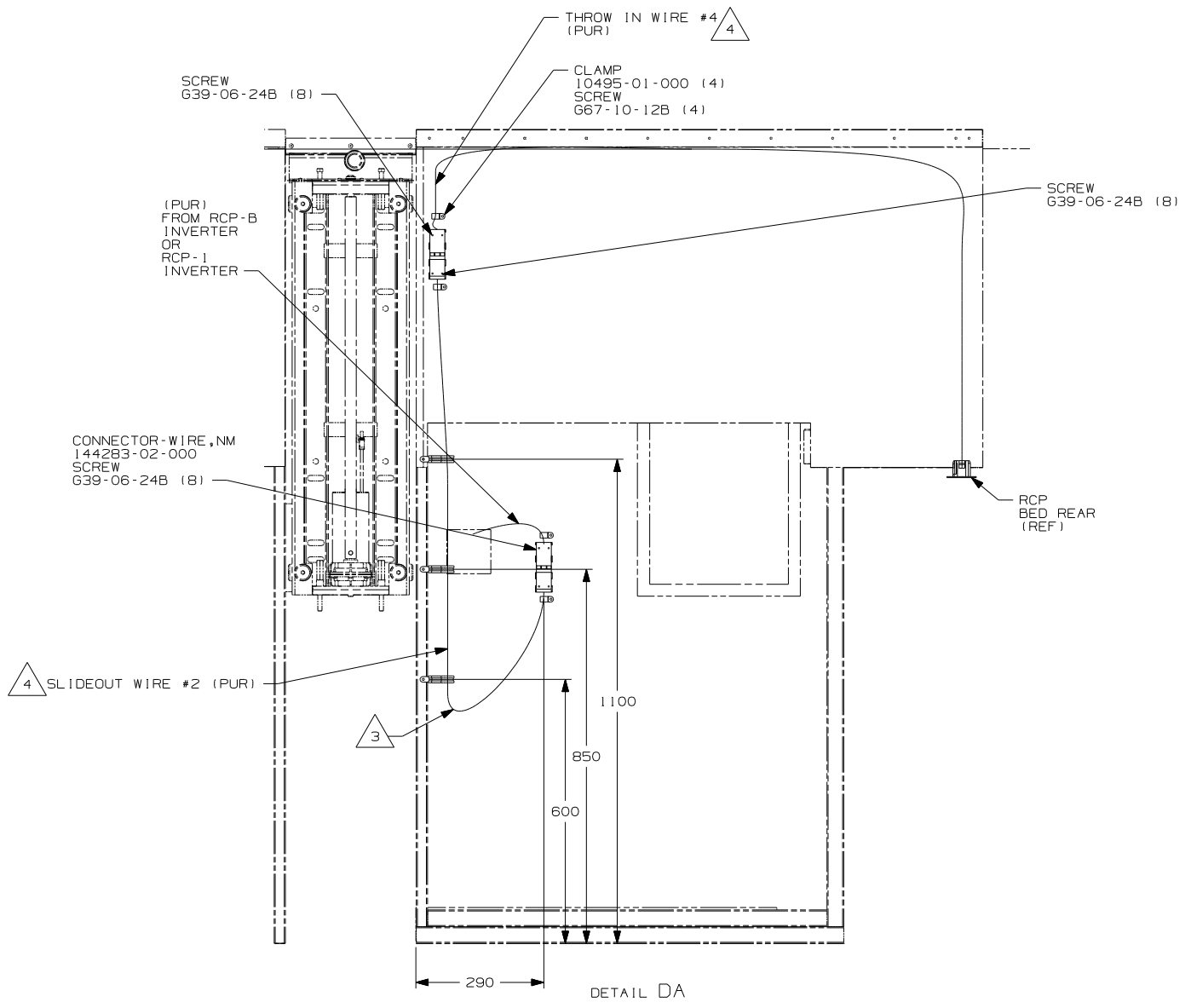
- 23C TV, REAR-WITHOUT
- 21M BED-KING OFF SIDEWALL
- 4.2B TV, REAR-WITHOUT
- 1.0A TV (REAR)-20"COLOR, STEREO
- 54E WASHER/DRYER
- 40D INVERTER-DC/AC, 400 WATT
- 40A INVERTER-DC/AC WITHOUT
- 265 CODES/STANDARDS-CSA/CMVSS
- 1B1 CODES/STANDARDS USA

FOR ELECTRICAL TORQUE SPECIFICATIONS SEE DWG NO. 128783-01-000

FOR ELECTRICAL CALLOUTS SEE DWG NO. 121339-01-000

FIRST USED	07 F35L	
TITLE	DO NOT SCALE DRAWING	
TITLE	WIRING INSTL-BODY, 110V	
SHEET 2	PART NO	158516
	REV	

NOTES:



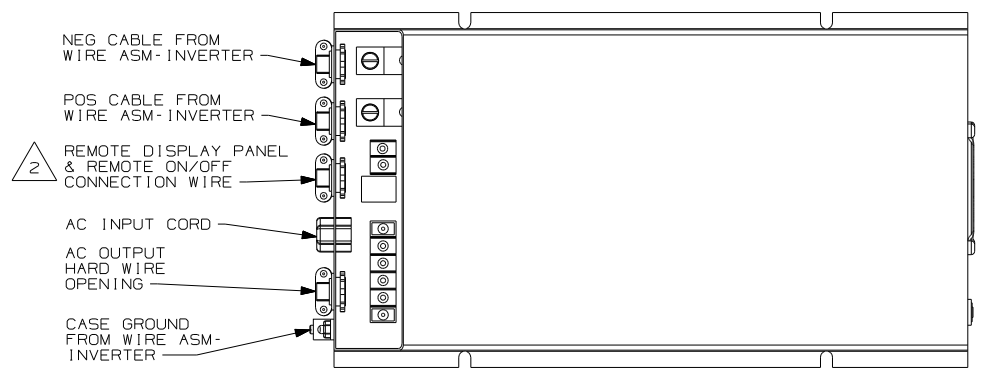
- NOTES:
- 4 SEE LOAD CENTER/ATS ASM FOR ADDITIONAL INFORMATION.
 - 3 MAKE LOOP AS SMALL AS POSSIBLE WHEN SLIDEOUT IS COMPLETELY RETRACTED.
 - 2. ROUTE 12V WIRE ALONG WITH 110V SLIDEOUT WIRE.
 - 1. WIRE MUST BE ROUTED THROUGH CLAMPS AS SHOWN.

- 78J ELECTRICAL SYSTEM-50 AMP
- 265 CODES/STANDARDS-CSA/CMVSS
- 1B1 CODES/STANDARDS USA
- 12D ELECTRICAL SYSTEM 30 AMP

FIRST USED	07 F35L
TITLE	DO NOT SCALE DRAWING
TITLE	WIRING INSTL-BODY, 110V
SHEET 4	PART NO 158516 REV

FOR ELECTRICAL TORQUE SPECIFICATIONS SEE DWG NO. 128783-01-000

(X-X) FOR ELECTRICAL CALLOUTS SEE DWG NO. 121339-01-000



DETAIL EB

- 1 CONNECTOR-WIRE,NM
- SCREW
- G39-06-24B (8)
- CLAMP
- 10495-01-000 (2)
- SCREW
- G67-10-12B (2)

PUR-2 THROW 1N #2 (TO BDRM TV)

(PUR) LOOP FROM LOAD CENTER

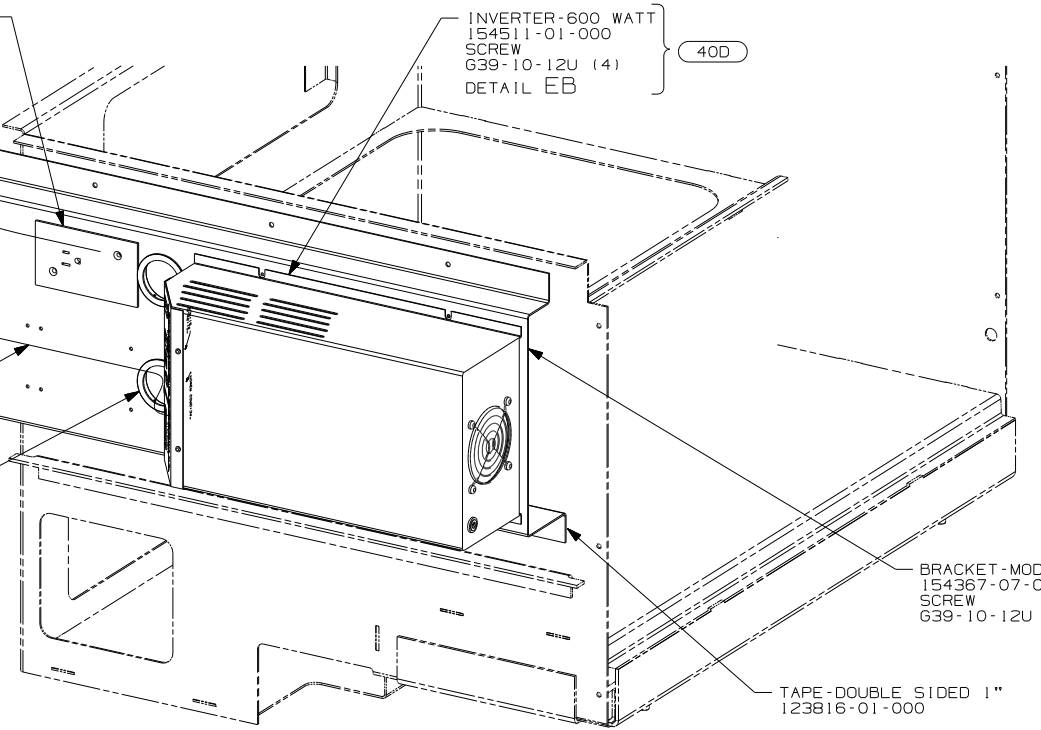
40D PUR-2 THROW 1N #3

40D GROMMET 114208-05-000 (2)

RCP-INVERTER (REF)

INVERTER-600 WATT
154511-01-000
SCREW
G39-10-12U (4)
DETAIL EB

40D



VIEW EA

BRACKET-MODULE MOUNT
154367-07-CHT
SCREW
G39-10-12U (4)

TAPE-DOUBLE SIDED 1"
123816-01-000

- 2 WB FROM WIRE ASM-COACH TO PUR WIRE FROM INVERTER
- 1 SEE LOAD CENTER/ATS ASM FOR ADDITIONAL INFORMATION.

NOTES:

FOR ELECTRICAL TORQUE SPECIFICATIONS SEE DWG NO. 128783-01-000

X-X FOR ELECTRICAL CALLOUTS SEE DWG NO. 121339-01-000

FIRST USED		07 F35L	
DO NOT SCALE DRAWING			
TITLE: WIRING INSTL-BODY, 110V			
SHEET 5	PART NO	158516	REV