

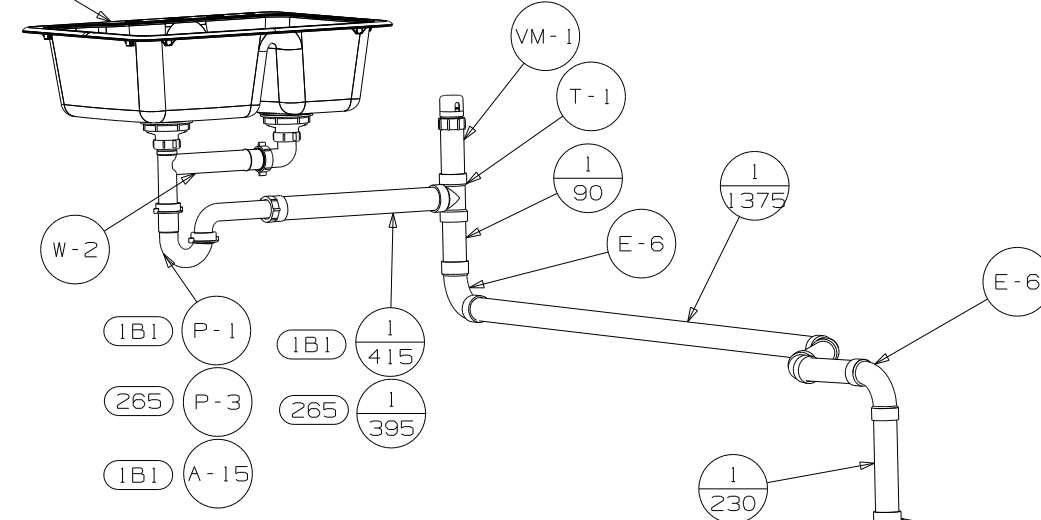
- 21M WASHER/DRYER PREP
- 54E WASHER/DRYER
- 1B1 CODES/STANDARDS USA
- 265 CODES/STDS-CSA/CMVSS
- 44X BED-QUEEN SIDEWALL
- 23C BED-KING SIDEWALL

- NOTES:
9. SECURE PIPES TO FLOOR USING BRACKET 136878-01-CHT (3) CLAMP 62401-02-000 (3) AND SCREW G67-10-12B (3).
 8. SECURE PIPES TO CABINET USING WIRE TIE 108046-02-000 AND SCREW G67-10-12U (8).
 7. SEE DWG 61607-01-000 FOR INSTL OF GROMMET.
 6. VENT PIPE MUST PROJECT 51 MIN AND 64 MAX ABOVE ROOF FOR PROPER FIT AND FUNCTION.
 5. SEAL AROUND SHOWER WITH SILICONE.
 4. ALL EXTERIOR OPENINGS AROUND PIPE TO BE SEALED WITH 110744-01-000.
 3. ALL PIPE AND FITTINGS TO BE ASSEMBLED WITH SOLVENT 4020-01-000 (US) 4020-02 (CAN).
 2. SLOPE OF TRAP ARM MUST BE 6 PER 305 mm.
 1. SLOPE OF HORIZONTAL PIPING TO BE MIN 3 PER 305 mm.

FOR
DRAINAGE
CALLOUTS
SEE DWG NO
116229-01-000

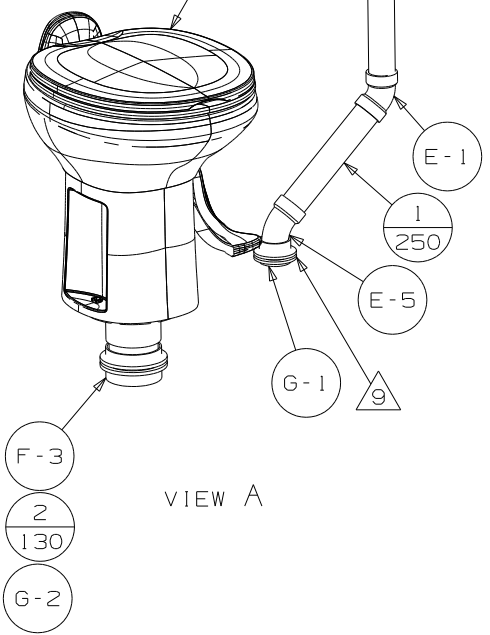
WINNEBAGO		COPYRIGHT 2007 WINNEBAGO INDUSTRIES, INC.	
DFT-016	ORIG. DATE	ALL DIMENSIONS ARE IN MILLIMETERS	
CHKR		FIRST USED	
P.E.		07 F35L	
M.E.			
DSNR			
UNSPECIFIED TOLERANCES ARE:		MATERIAL:	
WHOLE DIM (X)	: 5		
ONE-PLACE (X.X)	:		
TWO-PLACE (X.XX)	:		
ANGLE	:		
THIRD ANGLE PROJECTION			
DO NOT SCALE DRAWING			
TITLE: DRAINAGE SYSTEM INSTL			
SHEET 1 OF 3	PART NO	157516	REV
REF:	1 2/7/2007		

SINK-DBL
 148870-02-CHT
 STRAINER
 92303-01-000 (2)
 BRACKET
 140002-01-CHT (8)
 SCREW
 142261-02-CHT (20)
 SEAL (A/R)



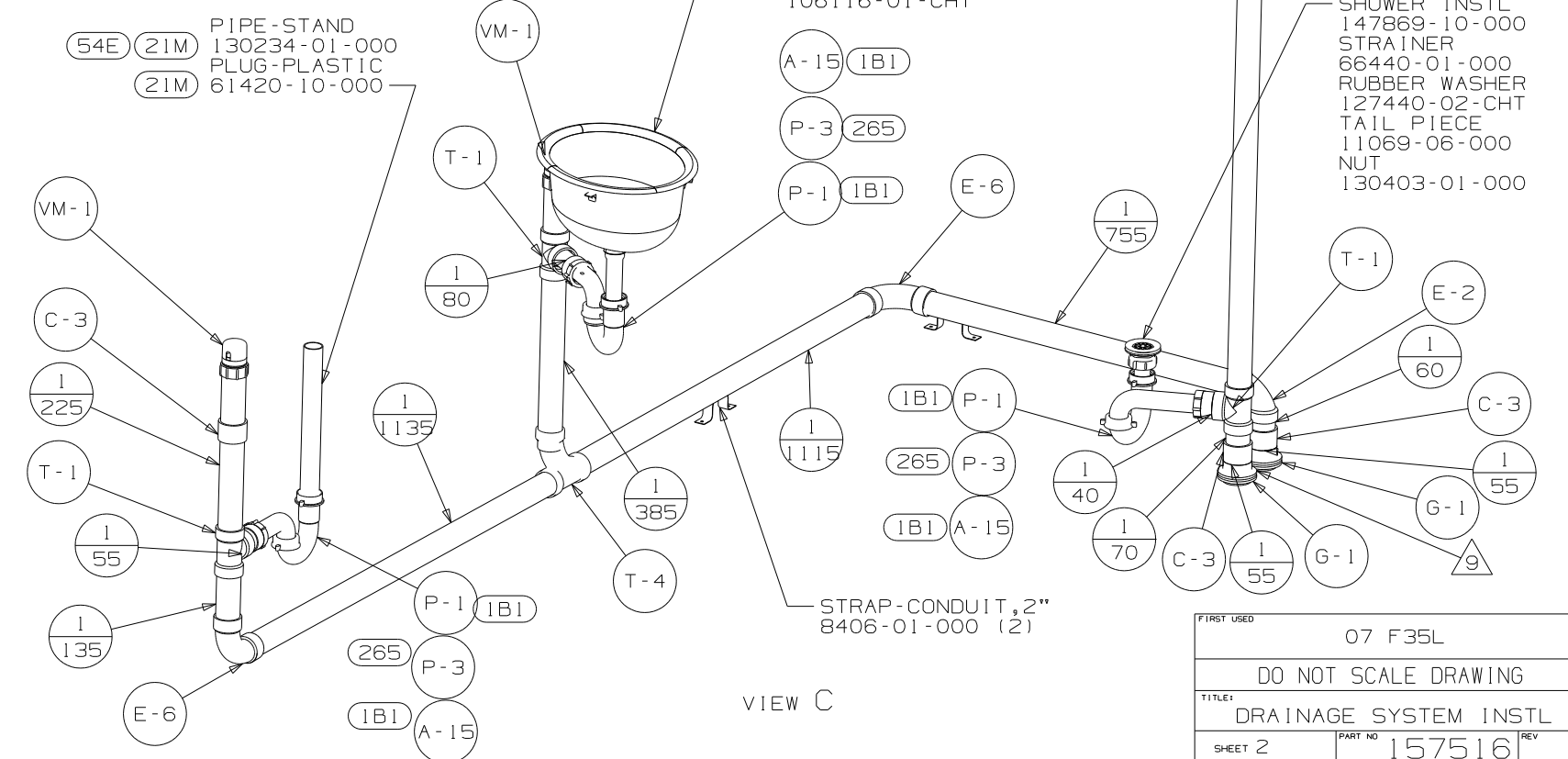
VIEW B

TOILET
 160815-01-CHT
 SCREW
 87721-01-000 (8)



VIEW A

PIPE-STAND
 130234-01-000
 PLUG-PLASTIC
 61420-10-000



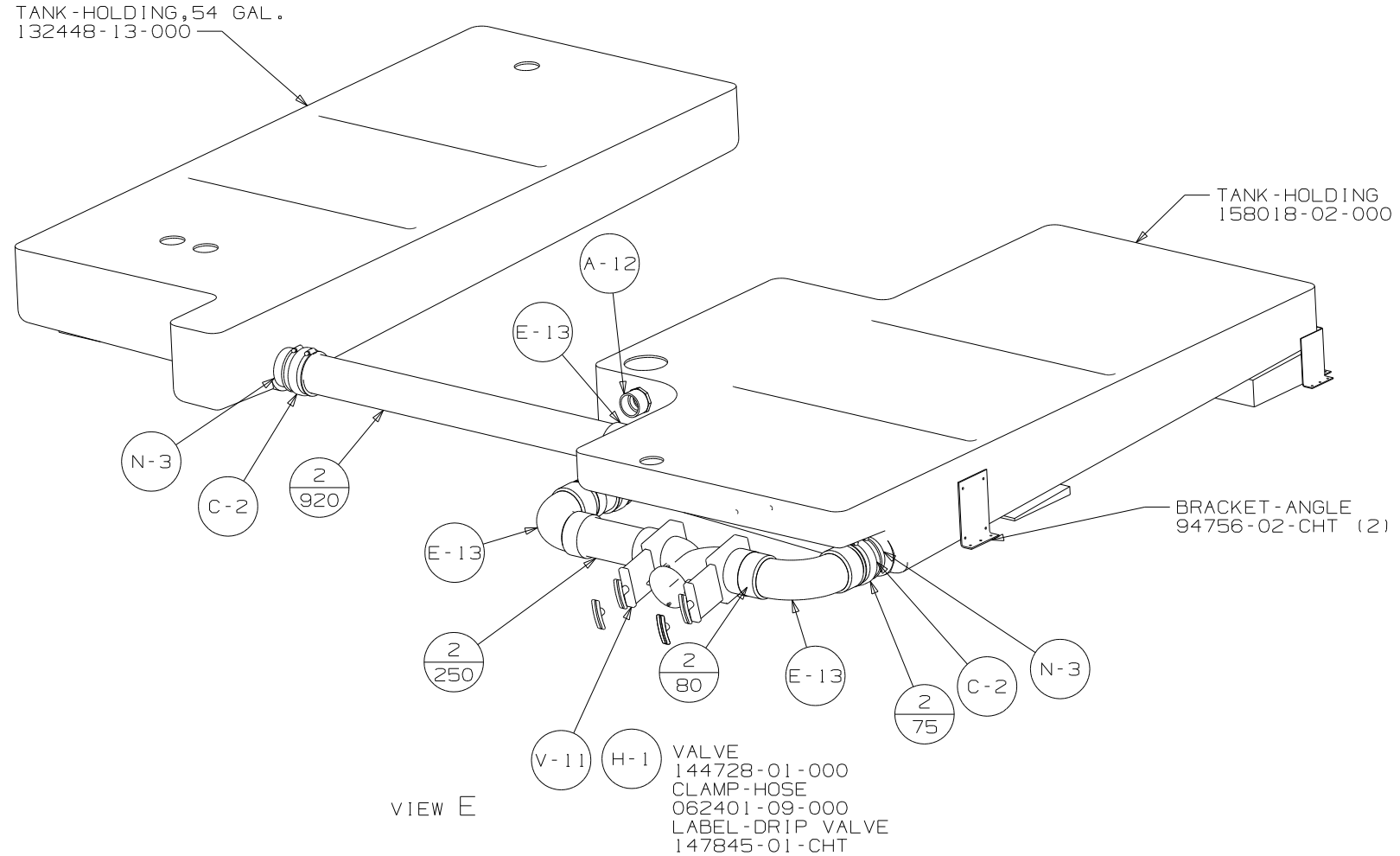
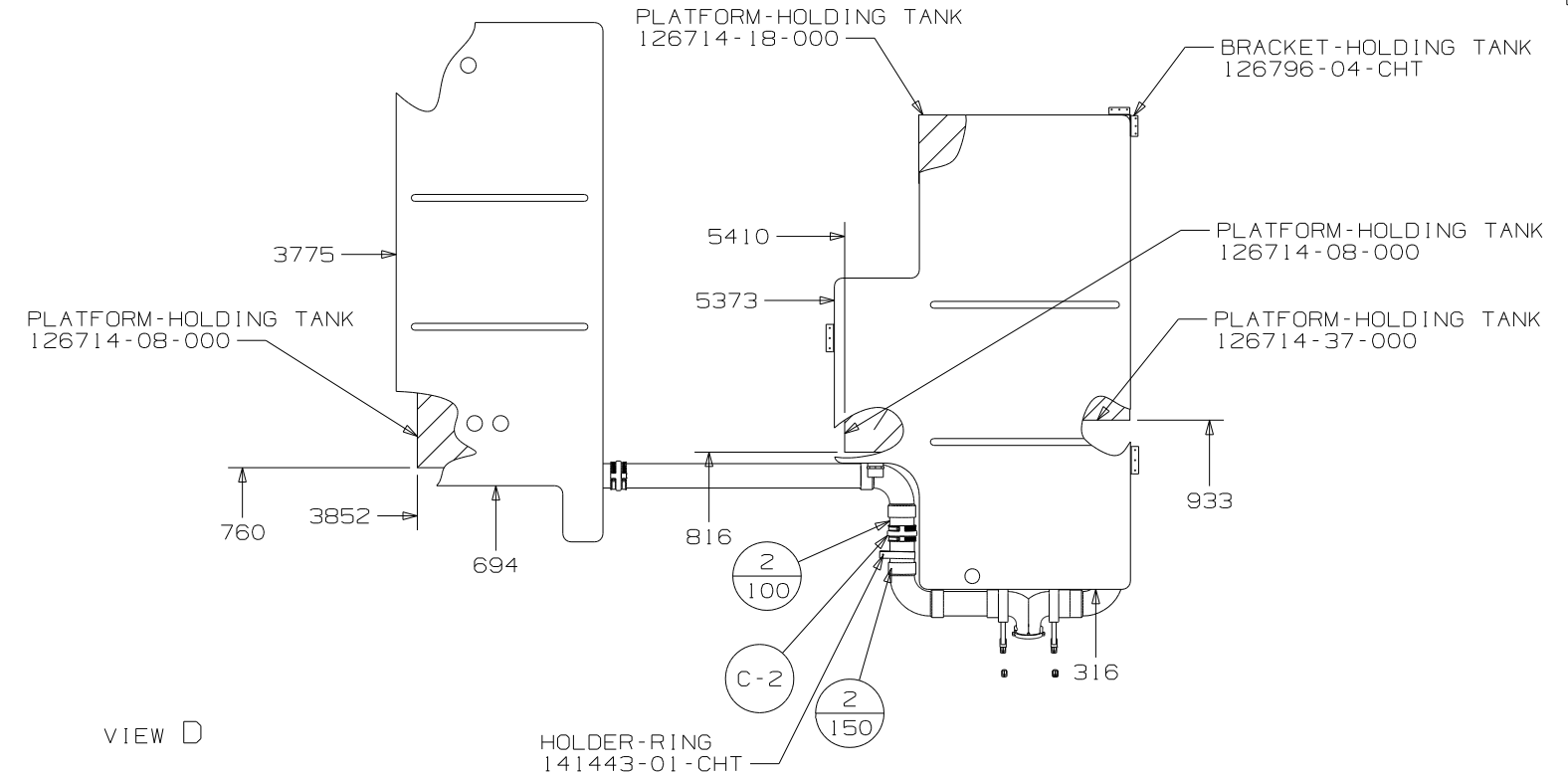
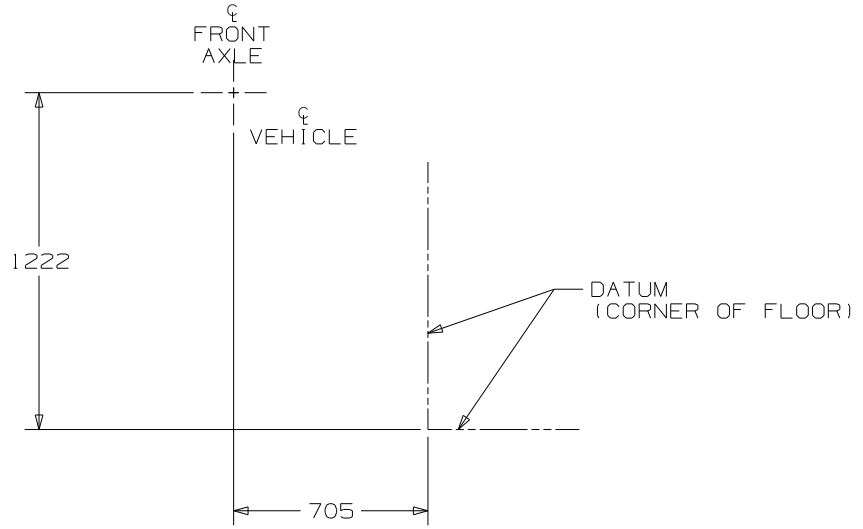
VIEW C

SINK
 156661-01-CHT
 SCREW
 G67-08-10U (6)
 SEAL (A/R)
 GASKET
 106116-02-CHT
 TAILPIECE
 11069-02-000
 STRAINER
 106116-01-CHT

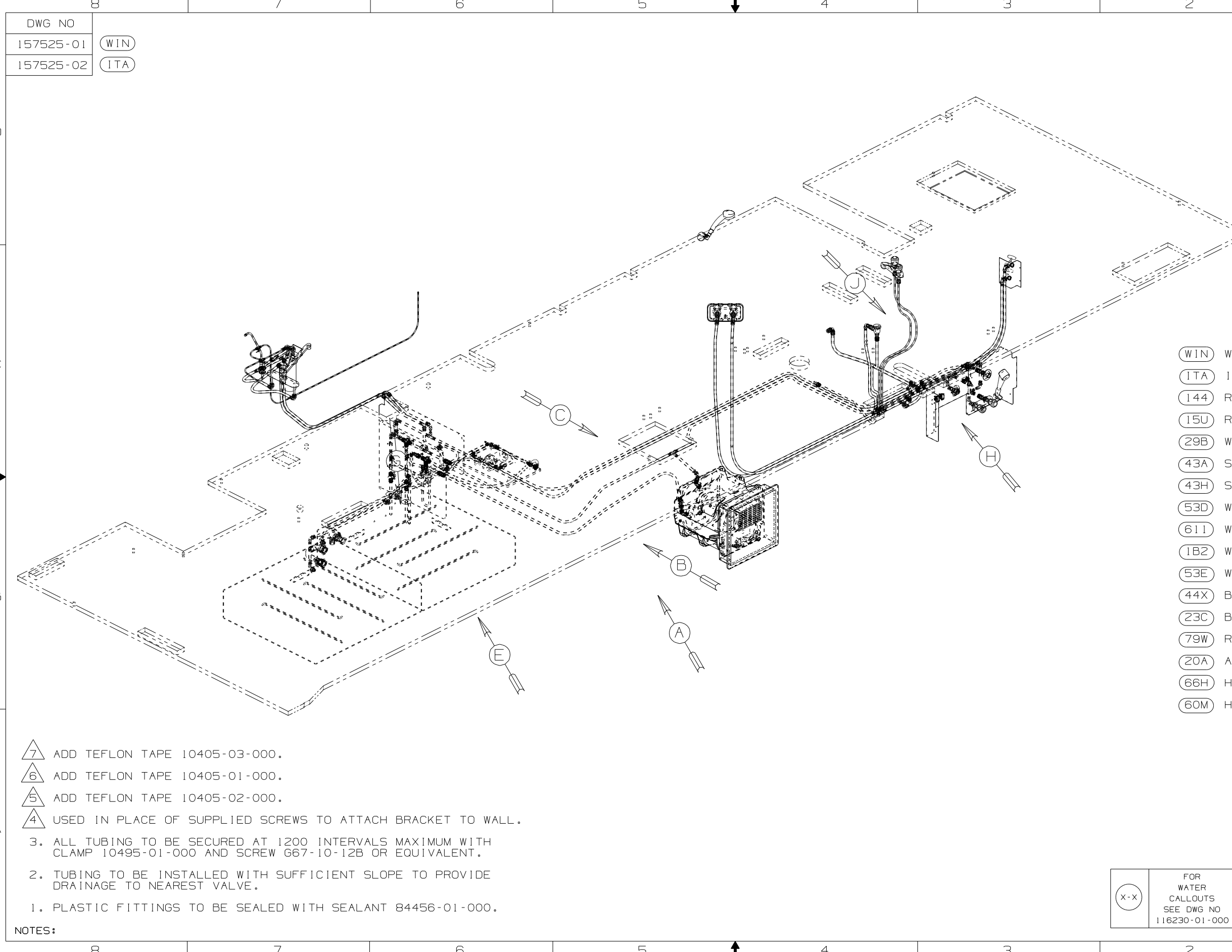
SHOWER INSTL
 147869-10-000
 STRAINER
 66440-01-000
 RUBBER WASHER
 127440-02-CHT
 TAIL PIECE
 11069-06-000
 NUT
 130403-01-000

STRAP-CONDUIT, 2"
 8406-01-000 (2)

FIRST USED	07 F35L		
TITLE	DO NOT SCALE DRAWING		
	DRAINAGE SYSTEM INSTL		
SHEET 2	PART NO	157516	REV
			1 2/7/2007



FIRST USED	07 F35L	
TITLE	DRAINAGE SYSTEM INSTL	
SHEET 3	PART NO 157516	REV



8 7 6 5 4 3 2 1

DWG NO 157525-01 (WIN) 157525-02 (ITA)

RELEASE	REV DATE	DWG NO
A		157525
REV ZONE	REVISION RECORD	DATE DFR-ORIG

- (WIN) WINNEBAGO ONLY
- (ITA) ITASCA ONLY
- (144) REFRIGERATOR-DOUBLE DOOR
- (15U) REFRIGERATOR/FRZR W/ICEMAKER
- (29B) WATER PURIFIER
- (43A) SHOWER HEAD-FIXED
- (43H) SHOWER HEAD-HAND HELD
- (53D) WTR-HTR-6/ELE/LP/MA
- (611) WTR-HTR-AUX AUTO MA
- (1B2) WTR HTR-10GAL/E,EC/LP/MTR AID
- (53E) WATER SYS WINTERIZATION PKG
- (44X) BED-QUEEN SIDEWALL
- (23C) BED-KING OFF SIDEWALL
- (79W) REFRIGERATOR 4-DOOR
- (20A) APPLIANCE PKG STAINLES S W/O
- (66H) HYDRAULIC LEVEL JACKS-AUTO
- (60M) HYDRAULIC LEVEL JACKS

- NOTES:
- 7 ADD TEFLON TAPE 10405-03-000.
 - 6 ADD TEFLON TAPE 10405-01-000.
 - 5 ADD TEFLON TAPE 10405-02-000.
 - 4 USED IN PLACE OF SUPPLIED SCREWS TO ATTACH BRACKET TO WALL.
3. ALL TUBING TO BE SECURED AT 1200 INTERVALS MAXIMUM WITH CLAMP 10495-01-000 AND SCREW G67-10-12B OR EQUIVALENT.
 2. TUBING TO BE INSTALLED WITH SUFFICIENT SLOPE TO PROVIDE DRAINAGE TO NEAREST VALVE.
 1. PLASTIC FITTINGS TO BE SEALED WITH SEALANT 84456-01-000.

(X-X) FOR WATER CALLOUTS SEE DWG NO 116230-01-000

WINNEBAGO COPYRIGHT 2006 WINNEBAGO INDUSTRIES, INC.

DFTR	ORIG. DATE
CHKR	ALL DIMENSIONS ARE IN MILLIMETERS
P.E.	
M.E.	FIRST USED
DSNR	07 F35L

UNSPECIFIED TOLERANCES ARE: MATERIAL:

HOLE DIM (X)	: 7
ONE-PLACE (X.X)	:
TWO-PLACE (X.XX)	:
ANGLE	:

THIRD ANGLE PROJECTION

DO NOT SCALE DRAWING

TITLE: WATER SYSTEM INSTL

SHEET 1 OF 4 PART NO 157525 REV

REF: 10/23/2006

8 7 6 5 4 3 2 1

FAUCET-GALLEY, SGL CNTRL
149164-01-CHT

FAUCET
103635-01-000

HAND HELD SHOWER
129390-04-CHT
SCREW
G12-10-16F (4)

PANEL-SHOWER FAUCET
78498-01-CHT

129

553

VIEW K

29B) FILTER
87200-01-000
CARTRIDGE
87200-02-000
SCREW
G67-10-12U (2)

4

BREAKER-VACUUM
125697-04-000
MUST BE MOUNTED ABOVE
TOILET FLOOD LEVEL
CHECK VALVE
125697-03-000

FAUCET-LAV
148886-01-CHT

44X) FAUCET (44X)
98419-01-000 (2)
44X) BRACKET-FAUCET, WASHER
134472-04-CHT

79W 15U T-24

79W 15U TU-5 250 79W 15U V-15

79W 15U TU-5 370

144 TU-5 540

TU-5 165

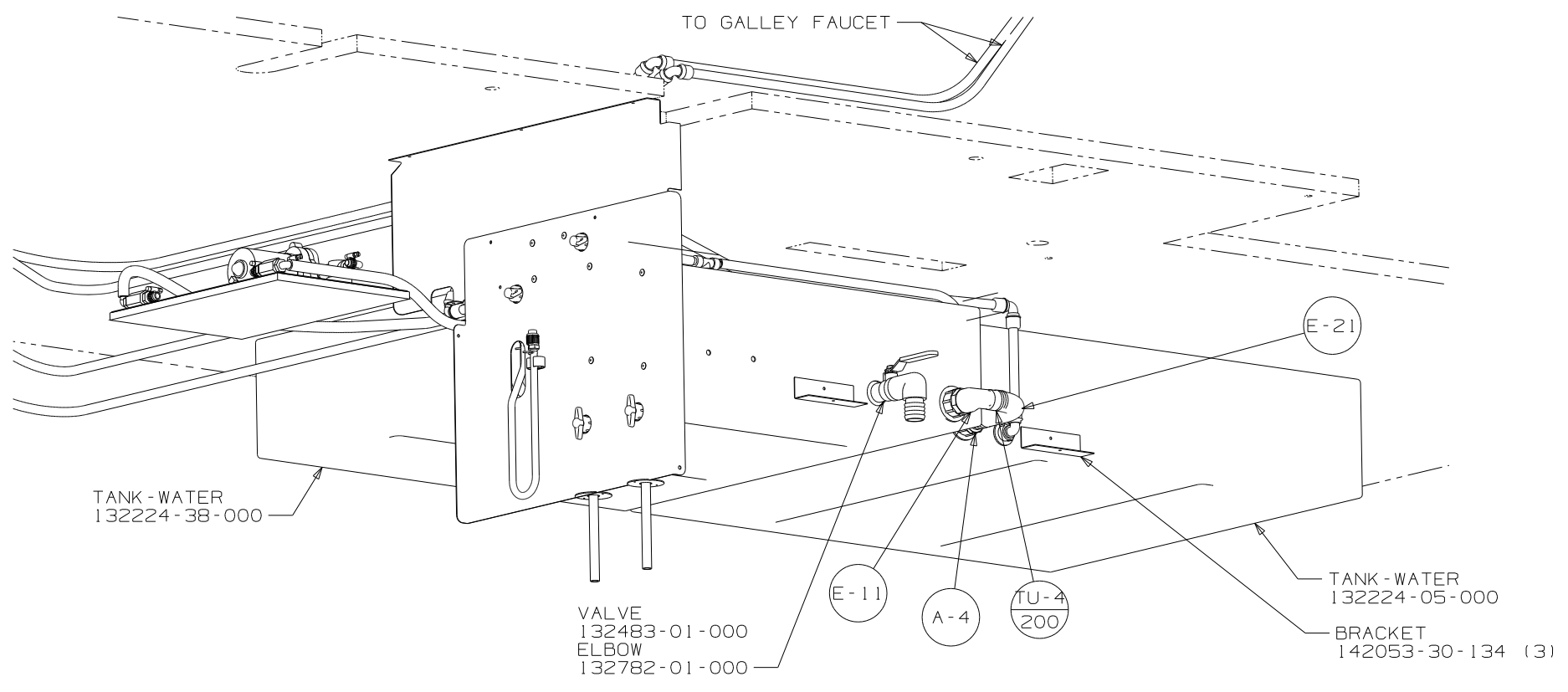
C-6

VIEW D

TO ICEMAKER

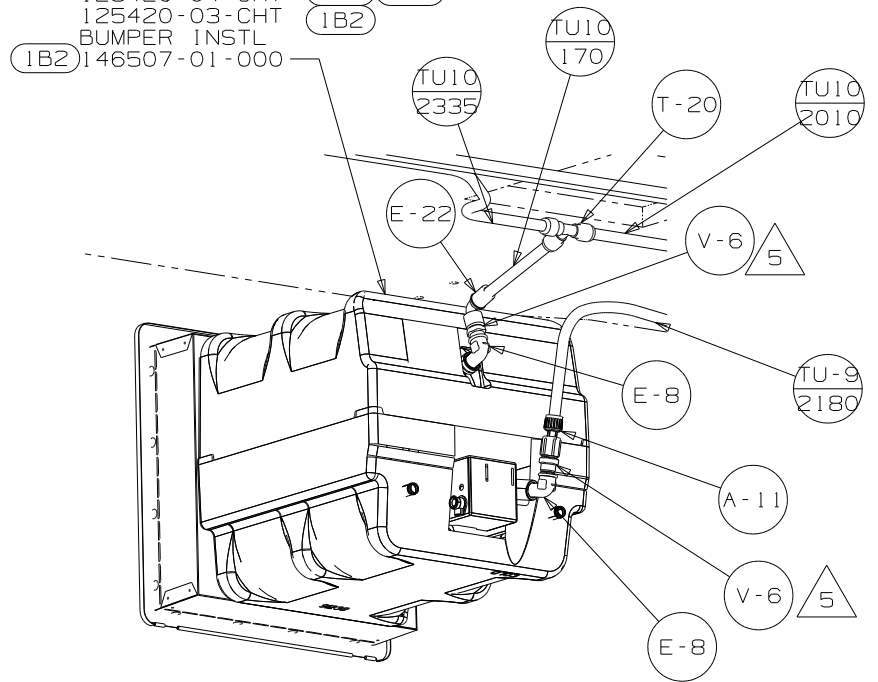
VIEW A

FIRST USED	07 F35L
TITLE	DO NOT SCALE DRAWING
TITLE	WATER SYSTEM INSTL
SHEET 2	PART NO 157525 REV

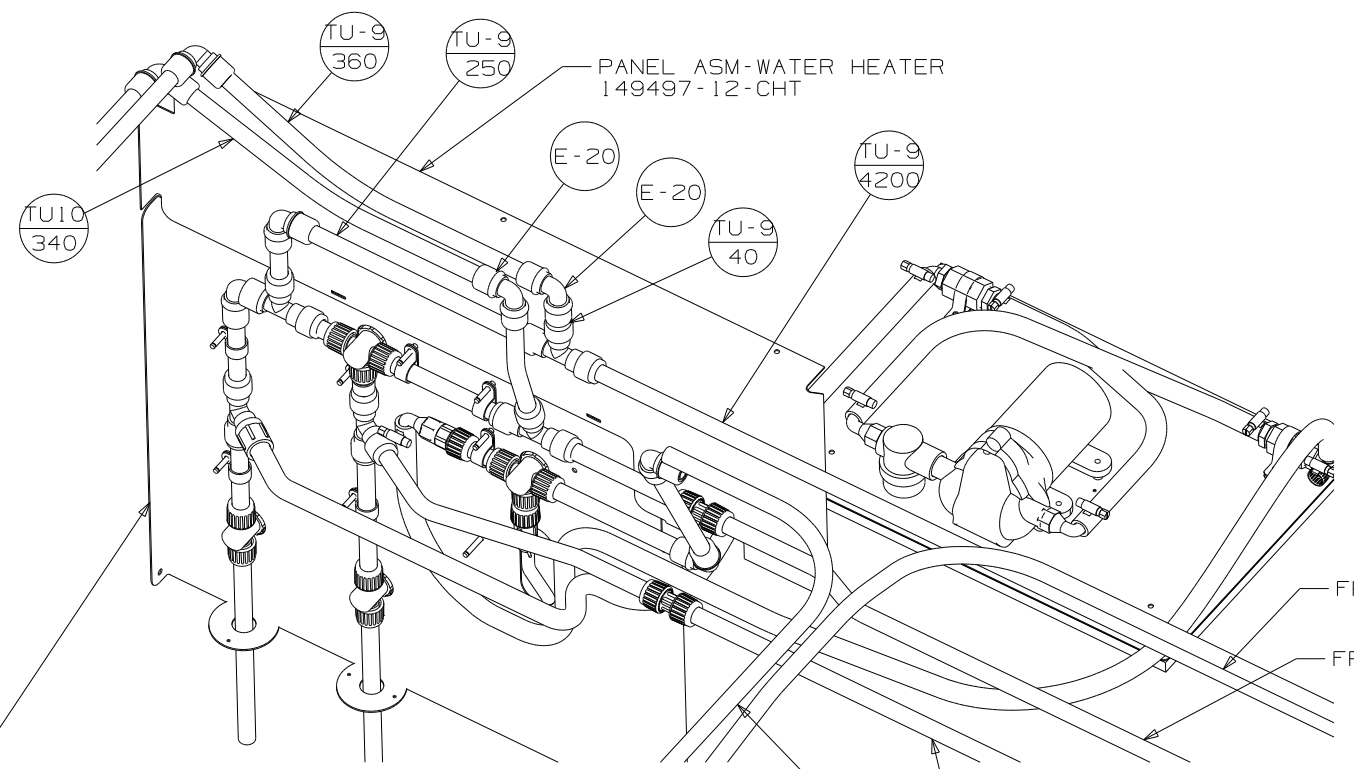


VIEW B

- WATER HEATER 145541-02-000 (53D)
- 51393-01-000 (611)
- 145541-01-000 (1B2)
- DOOR 125420-04-CHT (53D) (611)
- 125420-03-CHT (1B2)
- BUMPER INSTL 146507-01-000 (1B2)



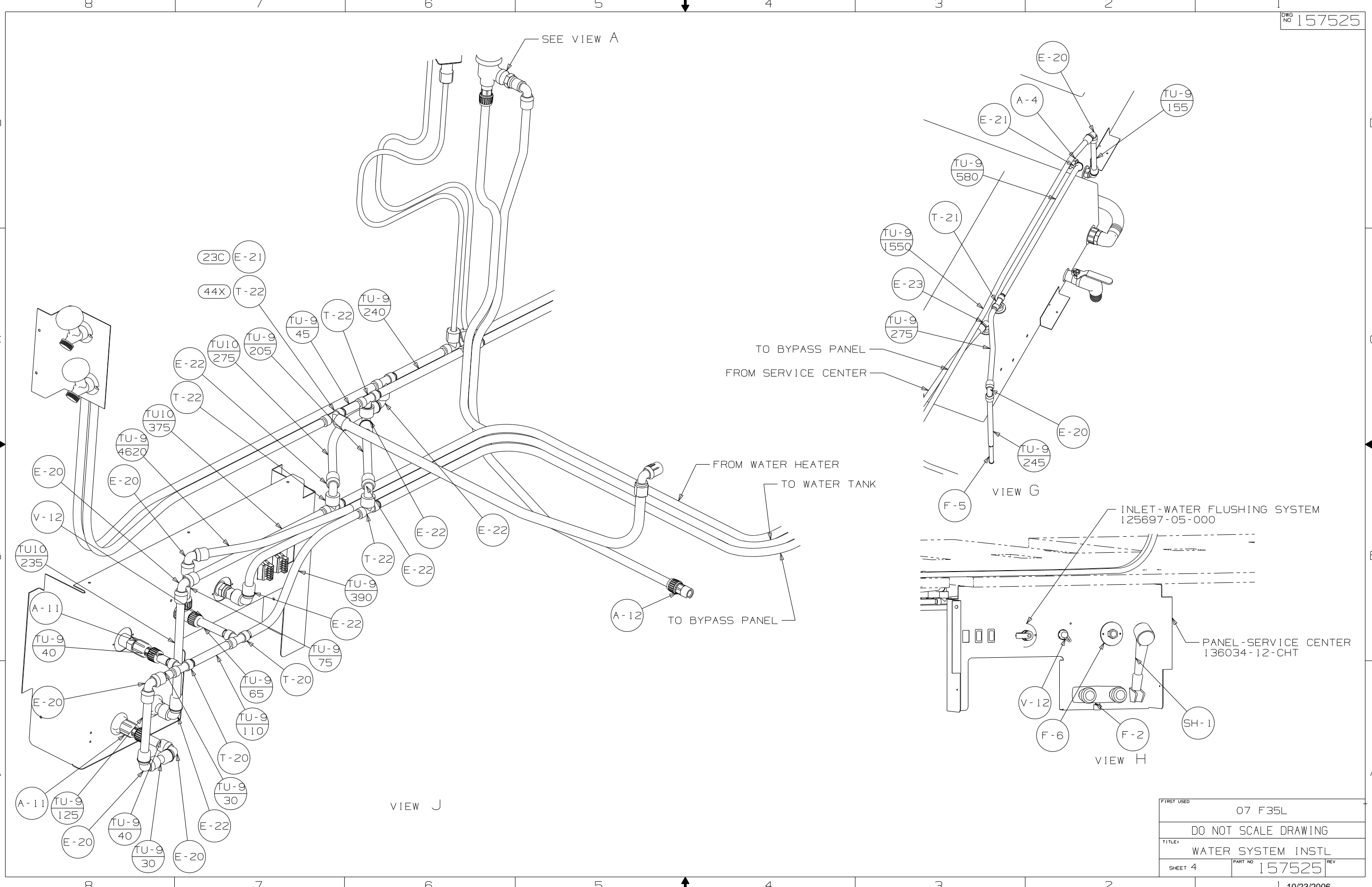
VIEW C



VIEW E

PANEL ASM-VALVE, BYPASS 149491-07-CHT

FIRST USED	07 F35L
DO NOT SCALE DRAWING	
TITLE	WATER SYSTEM INSTL
SHEET 3	PART NO 157525 REV



SEE VIEW A

TO BYPASS PANEL
FROM SERVICE CENTER

FROM WATER HEATER
TO WATER TANK

TO BYPASS PANEL

VIEW G

INLET-WATER FLUSHING SYSTEM
125697-05-000

PANEL-SERVICE CENTER
136034-12-CHT

VIEW H

VIEW J

FIRST USED	07 F35L	
DO NOT SCALE DRAWING		
TITLE:	WATER SYSTEM INSTL	
SHEET 4	PART NO	157525
REV		