



**DANGER**

**Danger of electrical shock, burns or death.** Always remove all power sources before attempting any repair, service or diagnostic work. Power can be present from shore power, generator, inverter or battery. All power sources must be disabled and secured before performing any service.

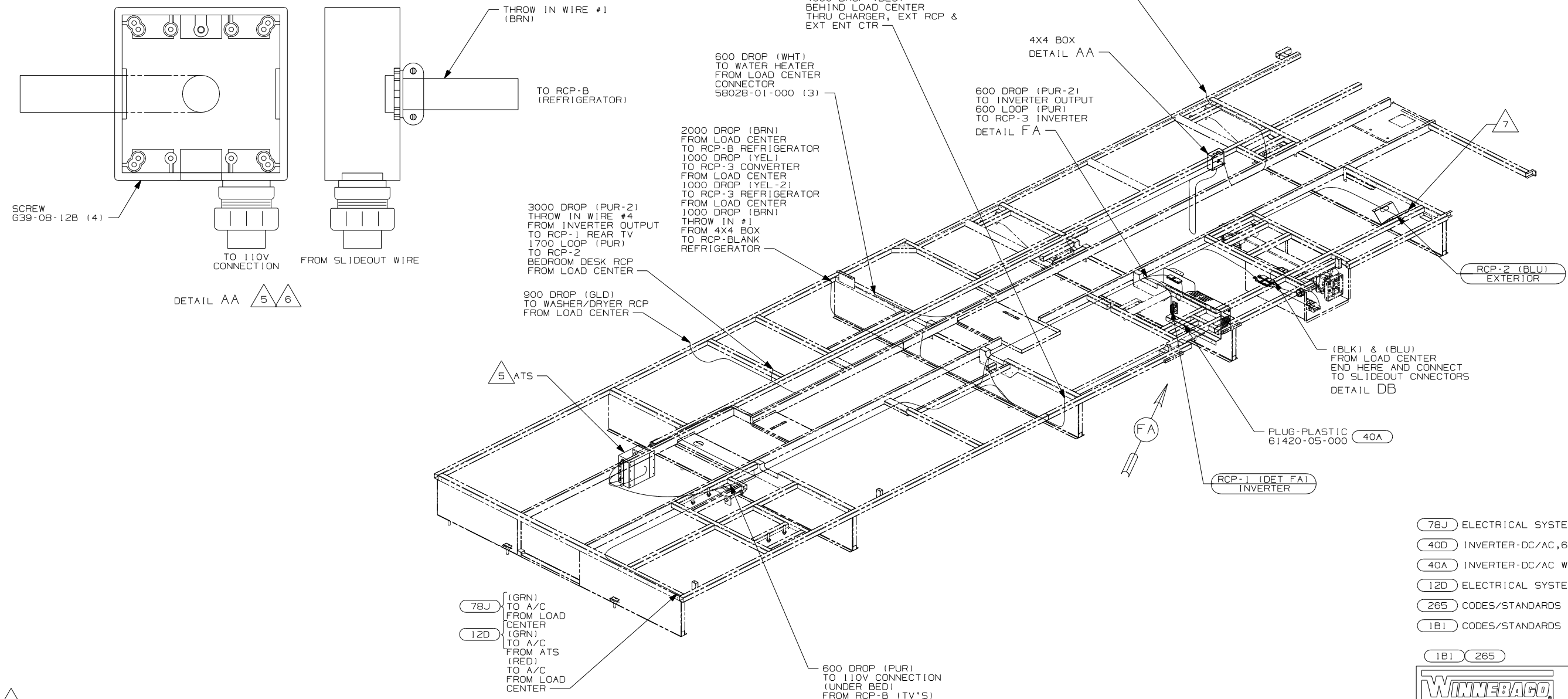


**CAUTION**

If you lack the skills, tools or equipment to perform diagnostic or repair work leave such work to an authorized Winnebago Industries dealer or other qualified shop.

DRAWING NO.	FEATURE
159097-11	(1B1) (12D)
159097-12	(1B1) (78J)
159097-15	(265) (12D)
159097-16	(265) (78J)

RELEASE	REV/DATE	DWG NO
	A	159097
REV ZONE	REVISION RECORD	DATE DFR-0R16



- 7 FOR MORE INFO SEE WIRING INSTL-BODY,12V.
- 6 MOUNT 4X4 BOX ON CLOSEOUT PANEL OVER LOWER HOLE WITH SLIDEOUT WIRES FACING UPWARD.
- 5 FOR MORE INFORMATION SEE LOAD CENTER/ATS ASM.
4. FOR MORE INFORMATION SEE WIRING DIAGRAM-BODY,110V.
3. ALL GROUND WIRE TO BE COVERED WITH TUBING 8041-02-000.
2. ALL 110V WIRE TO BE CLAMPED WITH CLAMP 10497-05-000 WITHIN 200MM OF OUTLET BOXES, USE SCREW G67-10-12B.
1. ALL WIRES TO BE SECURED WITH CLAMP 10495-01-000 OR CLIP 80734-01-000 EVERY 600MM. USE SCREW G67-10-12B UNLESS OTHERWISE SPECIFIED.

- (78J) ELECTRICAL SYSTEM-50 AMP
- (40D) INVERTER-DC/AC,600 WATT
- (40A) INVERTER-DC/AC WITHOUT
- (12D) ELECTRICAL SYSTEM 30 AMP
- (265) CODES/STANDARDS - CSA/CMVSS
- (1B1) CODES/STANDARDS - USA

(1B1) (265)

**WINNEBAGO** COPYRIGHT 2006 WINNEBAGO INDUSTRIES, INC.

DFTR	ORIG. DATE
CHKR	ALL DIMENSIONS ARE IN MILLIMETERS
P.E.	
M.E.	FIRST USED
DSNR	07 F35A

UNSPECIFIED TOLERANCES ARE: MATERIAL:

WHOLE DIM (X)	: 3
ONE-PLACE (X.X)	: 1.5
TWO-PLACE (X.XX)	: 0.50
ANGLE	: 1°

THIRD ANGLE PROJECTION

DO NOT SCALE DRAWING

TITLE: WIRING INSTL-BODY,110V

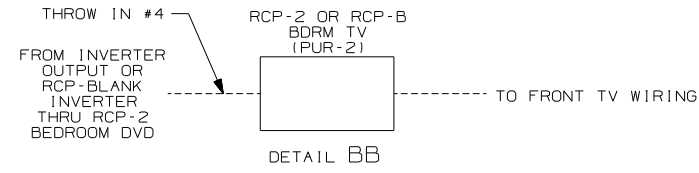
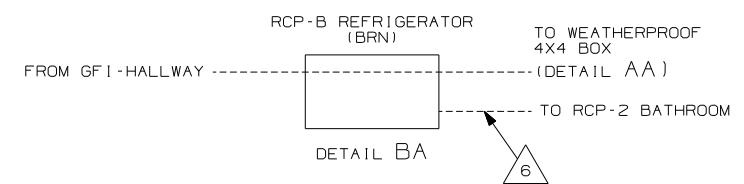
SHEET 1 OF 6 PART NO 159097 REV

REF: 1 6/15/2006

FOR ELECTRICAL TORQUE SPECIFICATIONS SEE DWG NO. 128783-01-000

(X-X) FOR ELECTRICAL CALLOUTS SEE DWG NO. 121339-01-000

NOTES:



- 42B RCP-2 DET BB BDRM TV
- 10A RCP-B DET BB BDRM TV
- 265 42B LABEL 158542-02-CHT

- 10A TV-20", STEREO FLAT 149040-03-000

- RCP-2 (PUR-2) BDRM DVD

- SPACER 133713-06-CHT
- SCREW 611-08-20D (4)

- RCP-1 (GLD) WASHER/DRYER
- 21M 265 LABEL 158542-02-CHT

110V CONNECTORS  
DETAIL DA

- RCP-2 (BRN) SDWL SP-04

- GF1-1 (BRN) HALLWAY

- RCP-3 (YEL) REFRIGERATOR

- RCP-3 (YEL) CONVERTER
- SEE DETAIL EB FOR LOCATION

- RCP-B (DET BA) REFRIGERATOR

- RCP-2 (BRN) BATHROOM SP-04

- RCP-2 (PUR) BDRM DESK

- 7 WIRE IN ROOF.
- 6 WIRE IN SIDEWALL.
- 5 WIRE ROUTED THROUGH FLOOR AT THIS POINT.
- 4. FOR MORE INFORMATION SEE WIRING DIAGRAM-BODY,110V.
- 3. ALL GROUND WIRE TO BE COVERED WITH TUBING 8041-02-000.
- 2. ALL 110V WIRE TO BE CLAMPED WITH CLAMP 10497-05-000 WITHIN 200MM OF OUTLET BOXES, USE SCREW G67-10-12B.
- 1. ALL WIRES TO BE SECURED WITH CLAMP 10495-01-000 OR CLIP 80734-01-000 EVERY 600MM. USE SCREW G67-10-12B UNLESS OTHERWISE SPECIFIED.

NOTES:

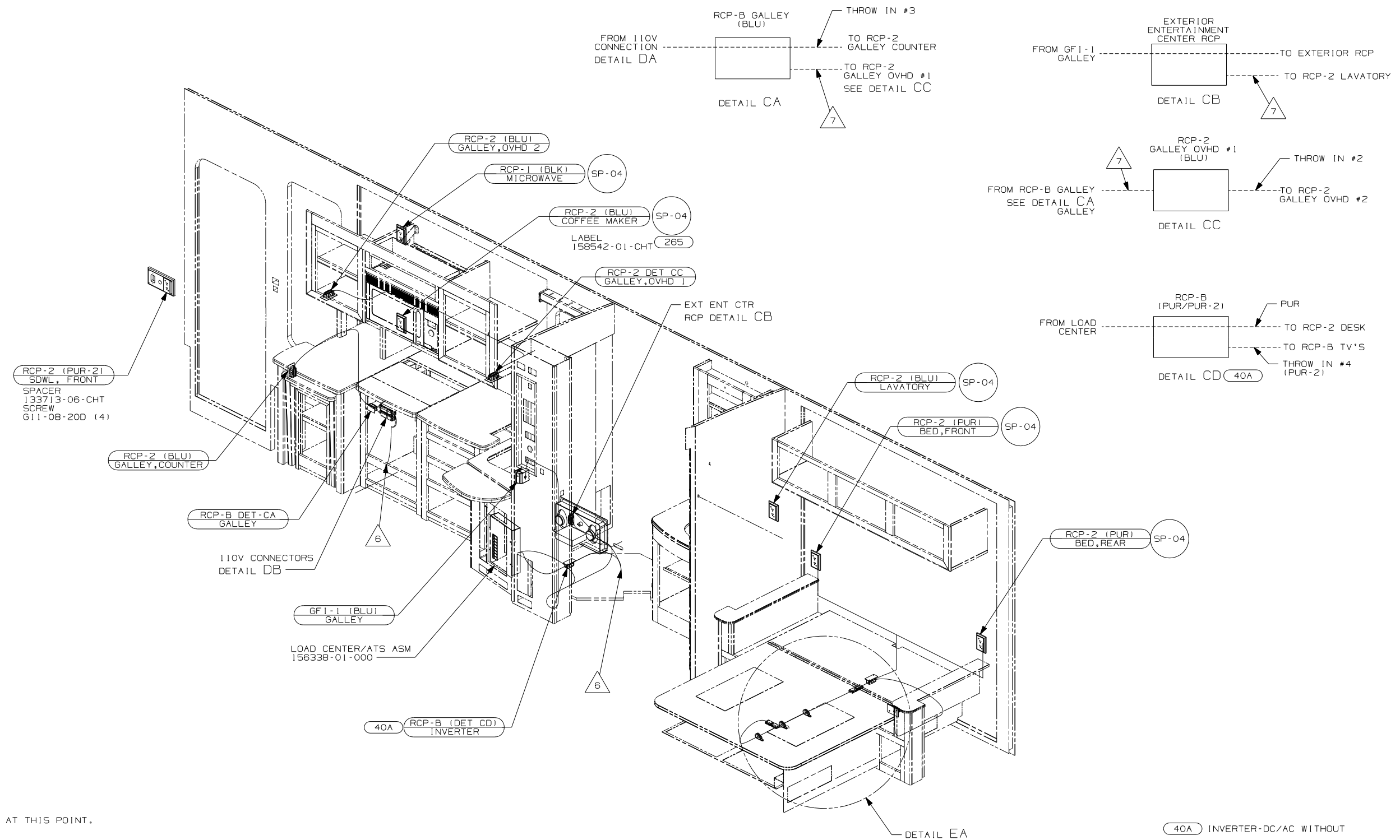
- 21M WASHER/DRYER PREP
- 42B TV, REAR-WITHOUT
- 10A TV (REAR)-20"COLOR, STEREO
- 265 CODES/STANDARDS-CSA/CMVSS
- 1B1 CODES/STANDARDS - USA

1B1 265

FIRST USED	
07 F35A	
DO NOT SCALE DRAWING	
TITLE:	
WIRING INSTL-BODY, 110V	
SHEET 2	PART NO 159097 REV

FOR ELECTRICAL TORQUE SPECIFICATIONS SEE DWG NO. 128783-01-000

(X-X) FOR ELECTRICAL CALLOUTS SEE DWG NO. 121339-01-000



- 7 WIRE IN SIDEWALL.
- 6 WIRE ROUTED THROUGH FLOOR AT THIS POINT.
5. FOR MORE INFORMATION SEE LOAD CENTER/ATS ASM.
  4. FOR MORE INFORMATION SEE WIRING DIAGRAM-BODY, 110V.
  3. ALL GROUND WIRE TO BE COVERED WITH TUBING 8041-02-000.
  2. ALL 110V WIRE TO BE CLAMPED WITH CLAMP 10497-05-000 WITHIN 200MM OF OUTLET BOXES, USE SCREW G67-10-12B.
  1. ALL WIRES TO BE SECURED WITH CLAMP 10495-01-000 OR CLIP 80734-01-000 EVERY 600MM. USE SCREW G67-10-12B UNLESS OTHERWISE SPECIFIED.

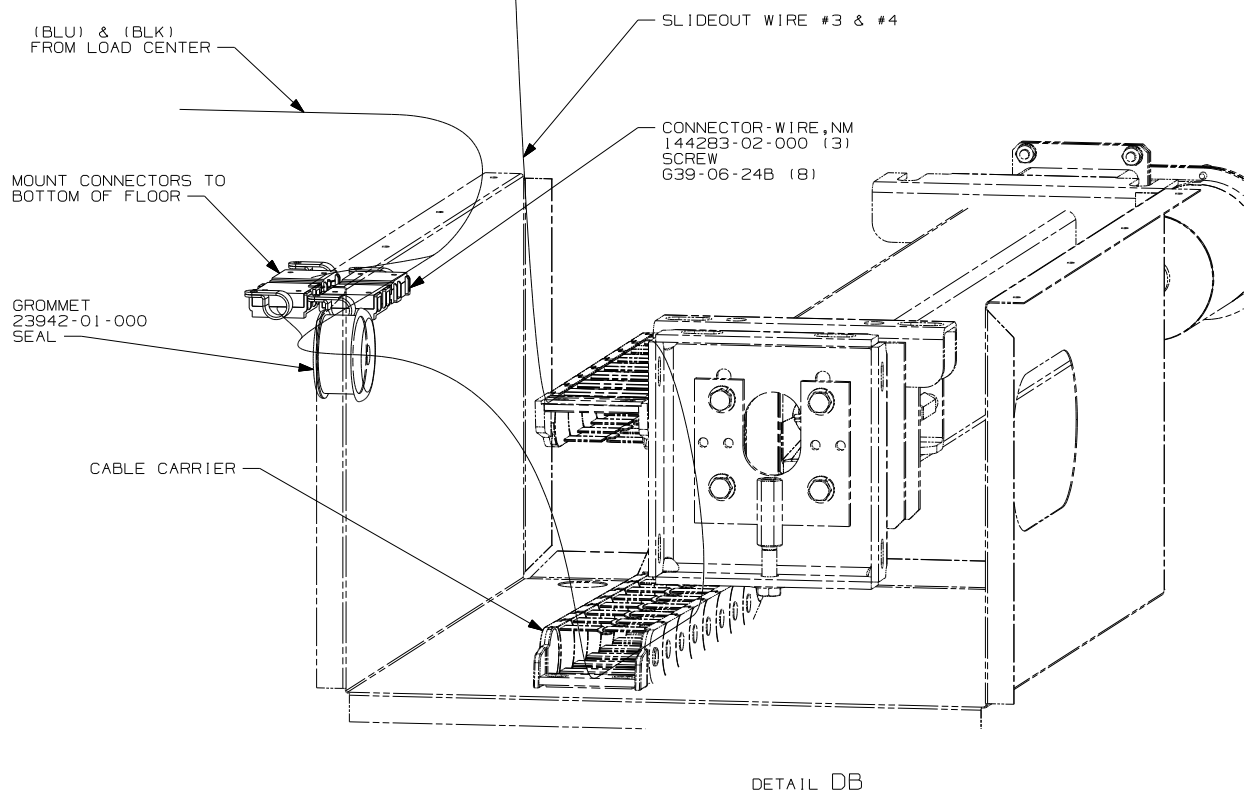
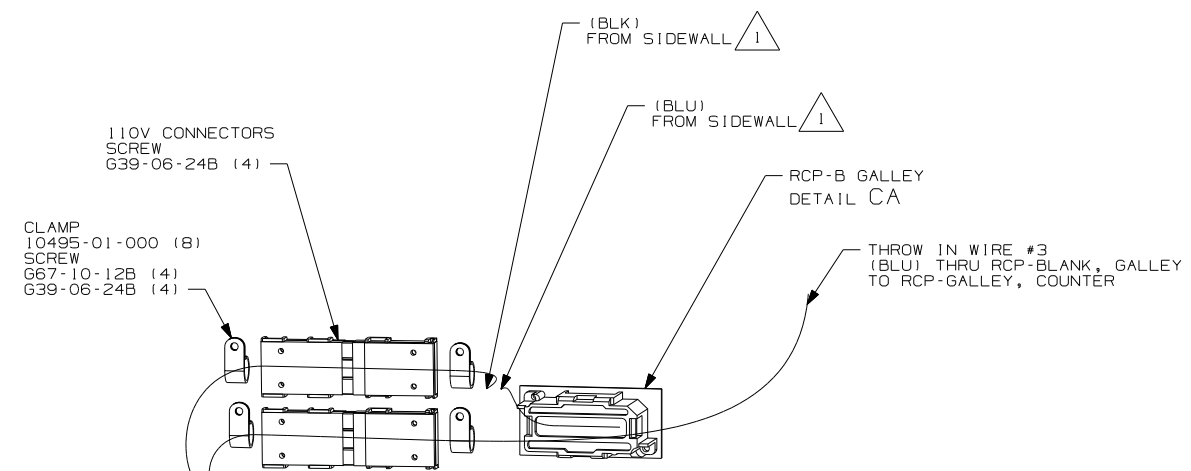
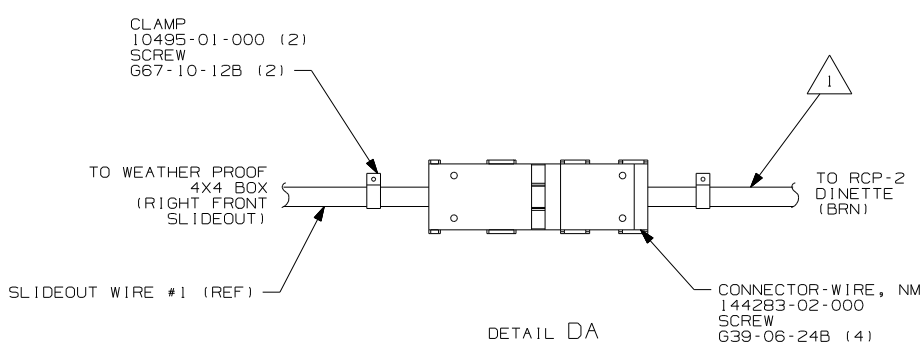
NOTES:

- 40A INVERTER-DC/AC WITHOUT
- 265 CODES/STANDARDS-CSA/CMVSS
- 1B1 CODES/STANDARDS - USA

FIRST USED	
07 F35A	
DO NOT SCALE DRAWING	
TITLE:	
WIRING INSTL-BODY, 110V	
SHEET 3	PART NO 159097 REV

FOR ELECTRICAL TORQUE SPECIFICATIONS SEE DWG NO. 128783-01-000

FOR ELECTRICAL CALLOUTS SEE DWG NO. 121339-01-000



NOTES:  
 1 WIRE IN SIDEWALL

FOR ELECTRICAL TORQUE SPECIFICATIONS SEE DWG NO. 128783-01-000

FOR ELECTRICAL CALLOUTS SEE DWG NO. 121339-01-000

- 78J ELECTRICAL SYTEM - 50 AMP
- 265 CODES/STANDARDS - CSA/CMVSS
- 1B1 CODES/STANDARDS - USA
- 12D ELECTRICAL SYSTEM - 30 AMP

12D 1B1 265 78J

FIRST USED	
07 F35A	
DO NOT SCALE DRAWING	
TITLE:	
WIRING INSTL-BODY, 110V	
SHEET 4	PART NO 159097 REV

SLIDEOUT FLOOR  
TO SIDEWALL

CONNECTOR-WIRE, NM  
144283-02-000  
SCREW  
G39-06-24B (8)

4

4 REAR SLIDEOUT WIRE #2

CLAMP  
10497-03-000 (3)  
SCREW  
G39-08-12B

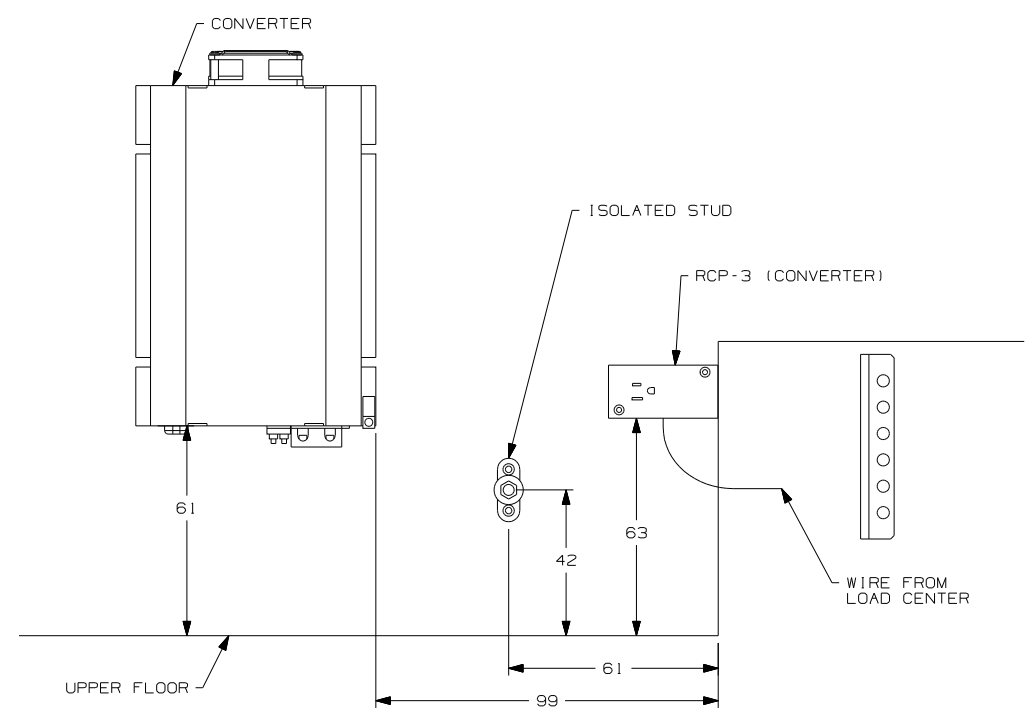
110V (PUR)  
FROM RCP-2 DESK

4

3

500

DETAIL EA 4



DETAIL EB

- 5 WITHOUT 49M
- 4 SEE LOAD CENTER/ATS ASM FOR MORE INFORMATION.
- 3 MAKE LOOP AS SMALL AS POSSIBLE WHEN SLIDEOUT IS COMPLETELY RETRACTED.

- 2. ROUTE 12V WIRE ALONG WITH SLIDEOUT WIRE.
  - 1. WIRE MUST BE ROUTED THROUGH CLAMPS AS SHOWN.
- NOTES:

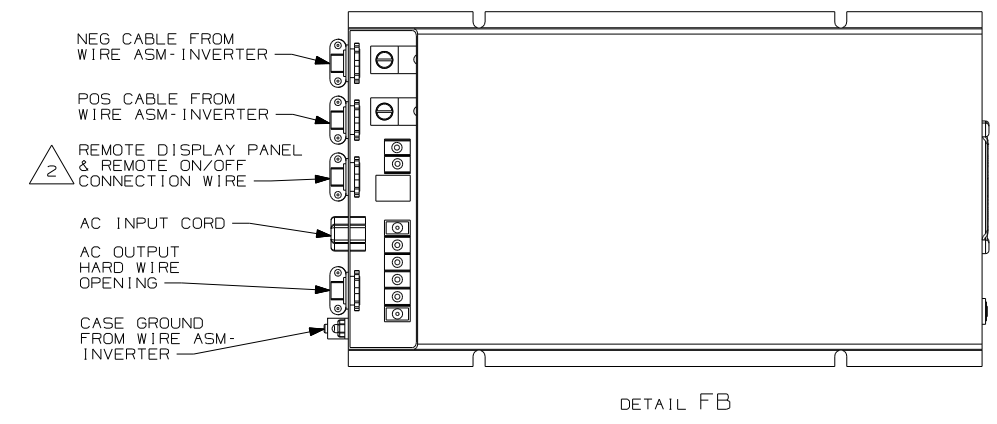
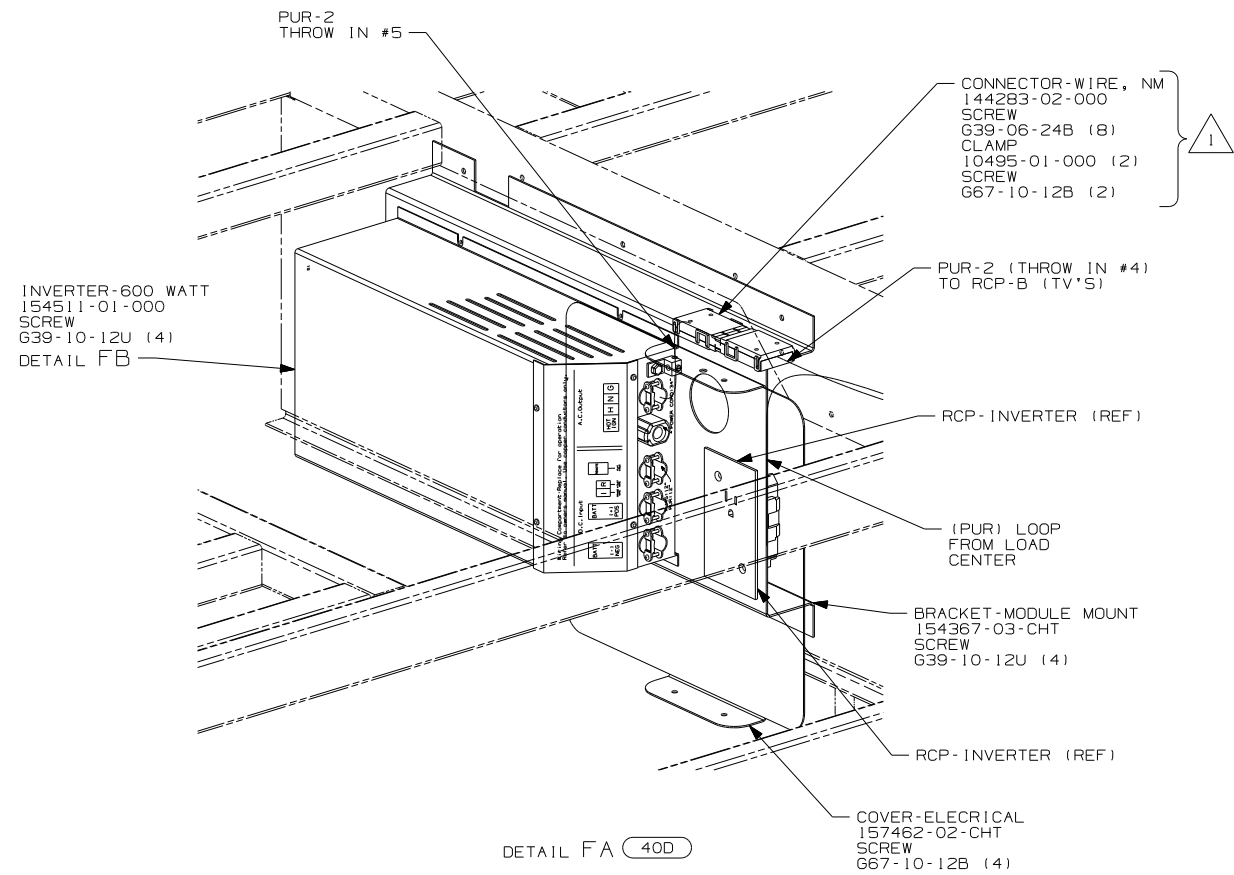
49M SLEEP NUMBER BED-QUEEN SIZE

FOR ELECTRICAL TORQUE SPECIFICATIONS SEE DWG NO. 128783-01-000

X-X

FOR ELECTRICAL CALLOUTS SEE DWG NO. 121339-01-000

FIRST USED	07 F35A
DO NOT SCALE DRAWING	
TITLE:	WIRING INSTL-BODY, 110V
SHEET 5	PART NO 159097 REV



- 78J ELECTRICAL SYSTEM-50 AMP
- 40D INVERTER-DC/AC,600 WATT
- 265 CODES/STANDARDS - CSA/CMVSS
- 1B1 CODES/STANDARDS - USA
- 12D ELECTRICAL SYSTEM - 30 AMP

12D 1B1 265 78J

FIRST USED	
07 F35A	
DO NOT SCALE DRAWING	
TITLE: WIRING INSTL-BODY, 110V	
SHEET 6	PART NO 159097

FOR ELECTRICAL  
TORQUE  
SPECIFICATIONS  
SEE DWG NO.  
128783-01-000

FOR  
ELECTRICAL  
CALLOUTS  
SEE DWG NO.  
121339-01-000

2 WB FROM WIRE ASM-COACH TO PUR WIRE FROM INVERTER.

1 SEE LOAD CENTER/ATS ASM FOR MORE INFORMATION.

NOTES: