



DANGER

Danger of electrical shock, burns or death. Always remove all power sources before attempting any repair, service or diagnostic work. Power can be present from shore power, generator, inverter or battery. All power sources must be disabled and secured before performing any service.

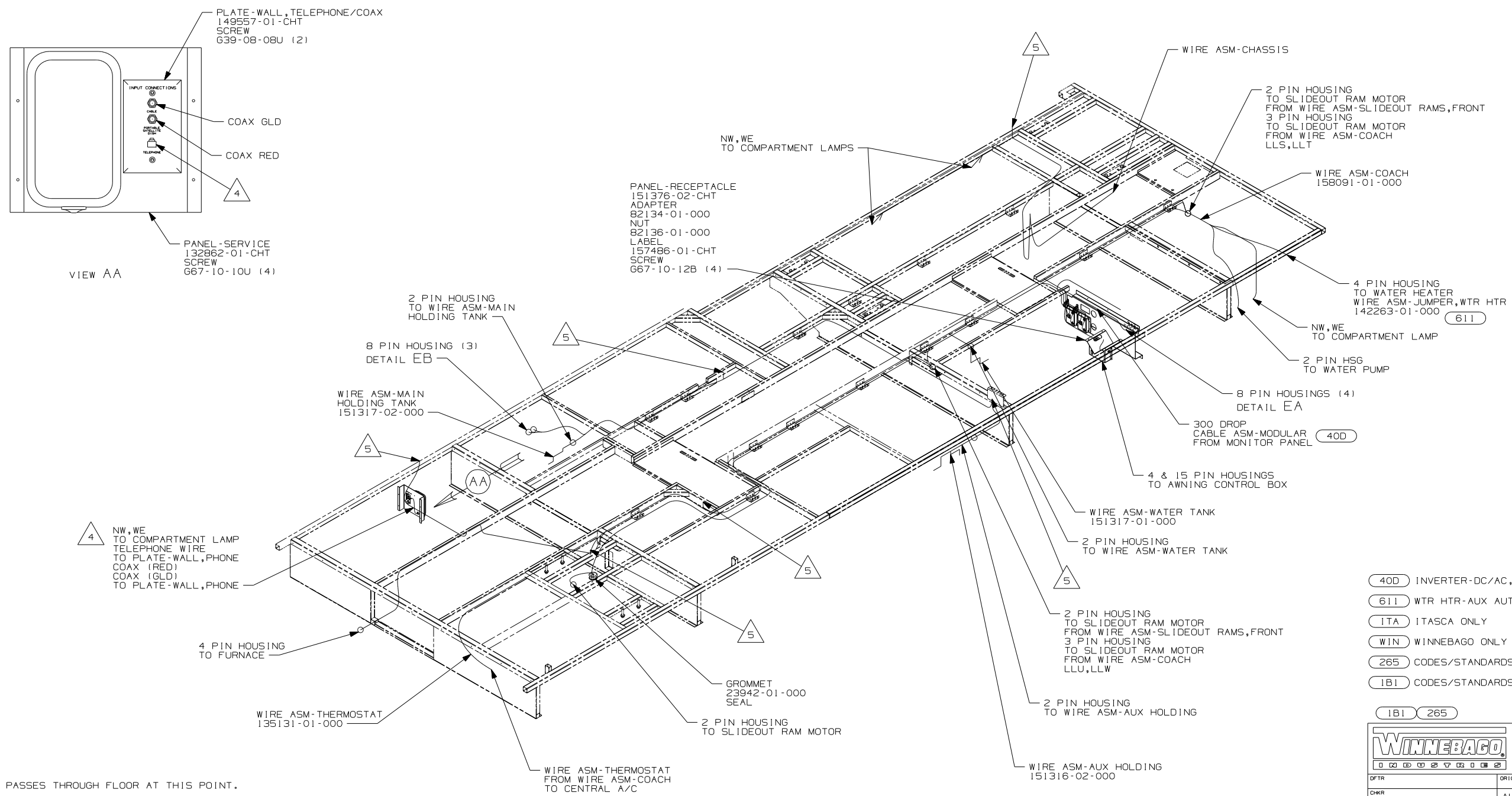


CAUTION

If you lack the skills, tools or equipment to perform diagnostic or repair work leave such work to an authorized Winnebago Industries dealer or other qualified shop.

DRAWING NO.	FEATURE
157966-01	(WIN)
157966-02	(ITA)

RELEASE	REV/DATE	DWG NO
	A	157966
REV ZONE	REVISION RECORD	DATE DFR-016



- 5 WIRE PASSES THROUGH FLOOR AT THIS POINT.
- 4 CONNECT TELEPHONE WIRE TO MATCHING COLORS ON PLATE-WALL, TELEPHONE.
- ROUTE TANK SENSOR WIRES SO THEY DO NOT PASS OVER SENSORS. USE WIRE TIE MOUNT 155366-01-000 AND WIRE TIE 8343-01-000 AS NEEDED. TANK SURFACE MUST BE CLEANED USING ISOPROPYL ALCOHOL AND PRIME WITH PRIMER 94.
 - SEE WIRING DIAGRAM-BODY, 12V FOR ADDITIONAL INFORMATION.
 - ALL WIRES TO BE CLAMPED WITH CLAMP 10495-01-000 OR WIRE TIE 8343-02-000 EVERY 600MM UNLESS OTHERWISE SPECIFIED.

- (40D) INVERTER-DC/AC, 600 WATT
- (611) WTR HTR-AUX AUTO/MOTORAID
- (ITA) ITASCA ONLY
- (WIN) WINNEBAGO ONLY
- (265) CODES/STANDARDS-CSA/CMVSS
- (1B1) CODES/STANDARDS USA

WINNEBAGO COPYRIGHT 2006 WINNEBAGO INDUSTRIES, INC.

DFTR	ORIG. DATE
CHKR	ALL DIMENSIONS ARE IN MILLIMETERS
P.E.	
M.E.	FIRST USED
DSNR	07 F33V

UNSPECIFIED TOLERANCES ARE: MATERIAL:

HOLE DIM (X)	: 3
ONE-PLACE (X, X)	: 1.5
TWO-PLACE (X, XX)	: 0.50
ANGLE	: 1°

THIRD ANGLE PROJECTION

DO NOT SCALE DRAWING

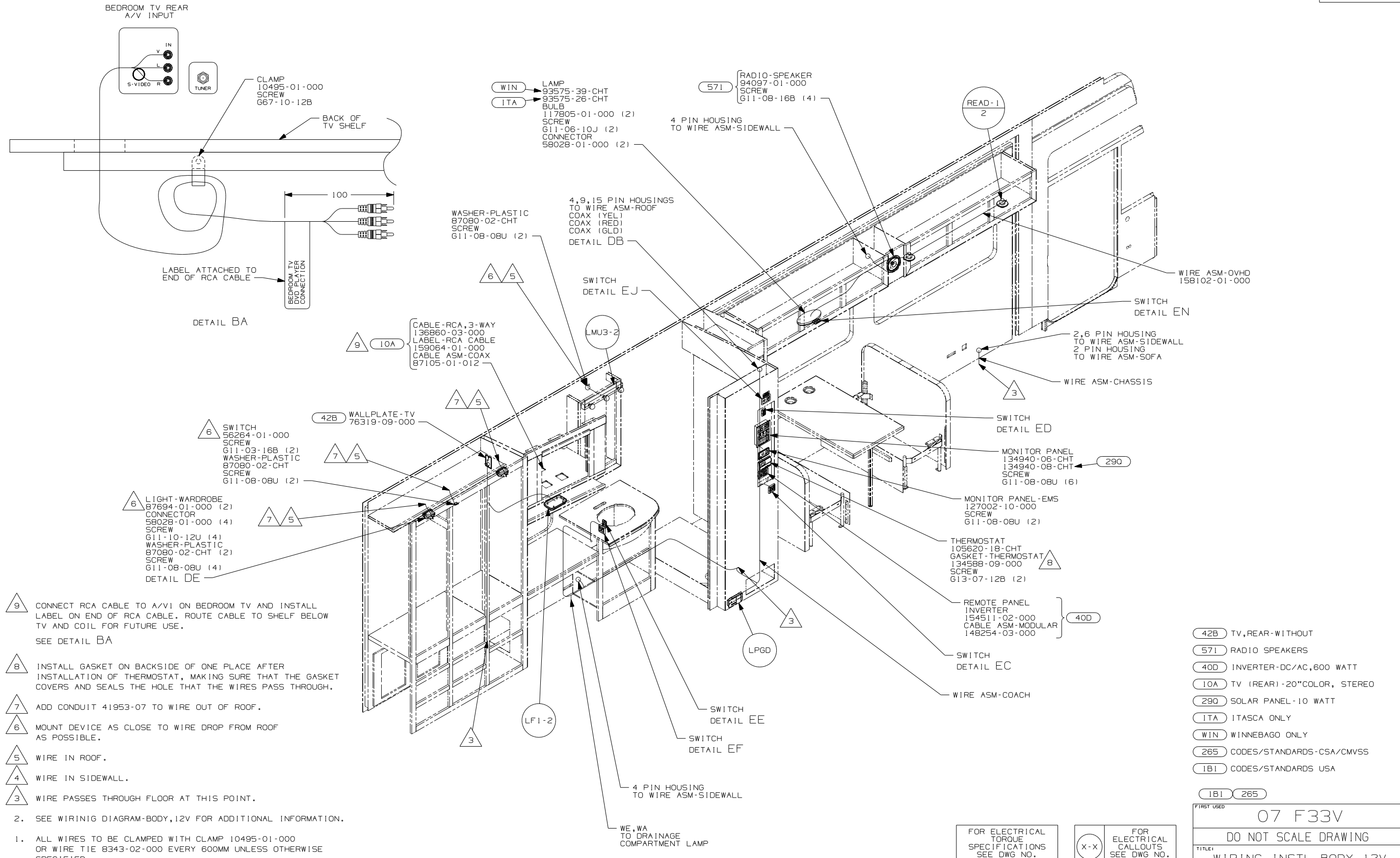
TITLE: WIRING INSTL-BODY, 12V

SHEET 1 of 8 PART NO 157966 REV

REF: 1 2/19/2007

FOR ELECTRICAL TORQUE SPECIFICATIONS SEE DWG NO. 128783-01-000

(X-X) FOR ELECTRICAL CALLOUTS SEE DWG NO. 121339-01-000



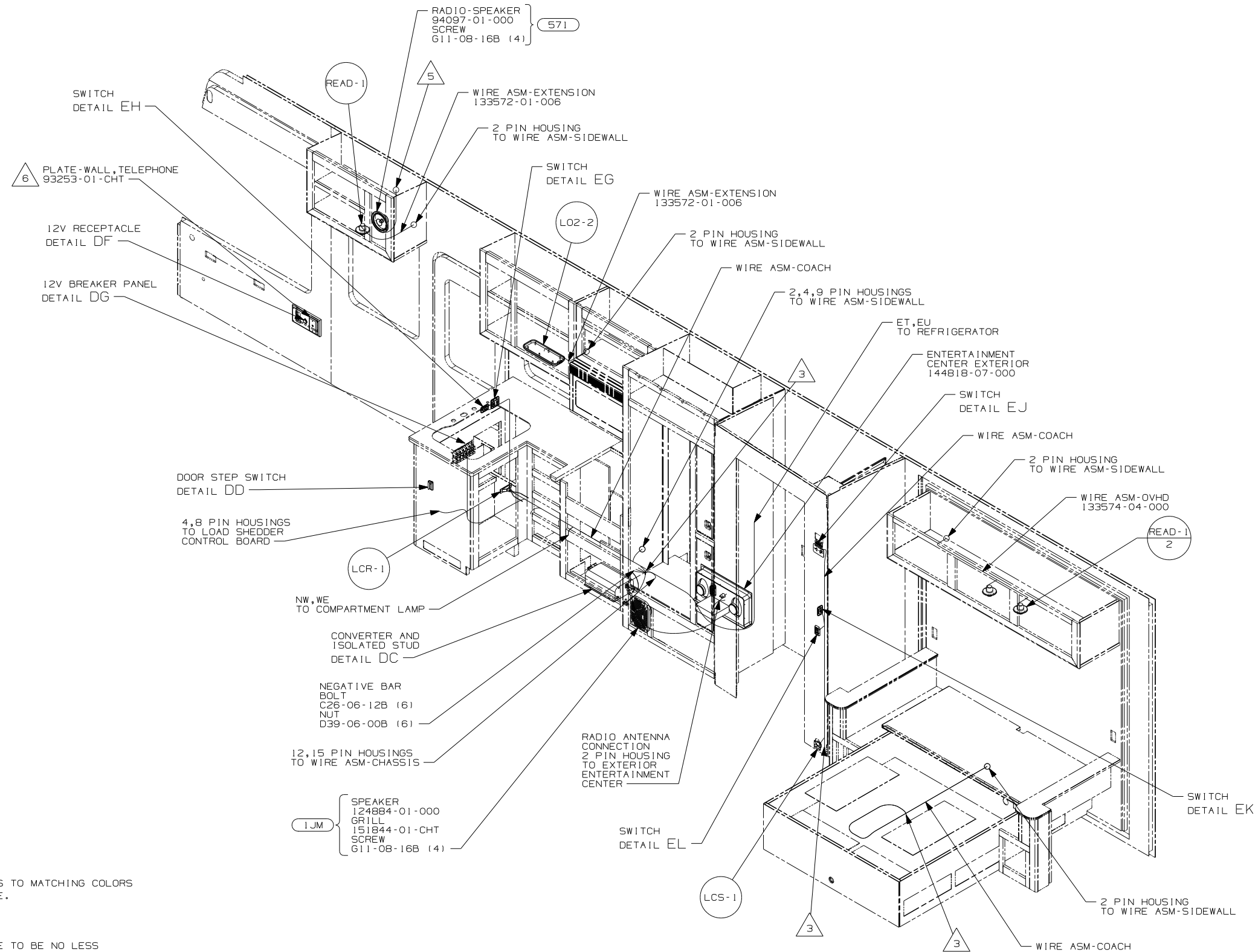
- 9 CONNECT RCA CABLE TO A/V1 ON BEDROOM TV AND INSTALL LABEL ON END OF RCA CABLE. ROUTE CABLE TO SHELF BELOW TV AND COIL FOR FUTURE USE. SEE DETAIL BA
- 8 INSTALL GASKET ON BACKSIDE OF ONE PLACE AFTER INSTALLATION OF THERMOSTAT, MAKING SURE THAT THE GASKET COVERS AND SEALS THE HOLE THAT THE WIRES PASS THROUGH.
- 7 ADD CONDUIT 41953-07 TO WIRE OUT OF ROOF.
- 6 MOUNT DEVICE AS CLOSE TO WIRE DROP FROM ROOF AS POSSIBLE.
- 5 WIRE IN ROOF.
- 4 WIRE IN SIDEWALL.
- 3 WIRE PASSES THROUGH FLOOR AT THIS POINT.
2. SEE WIRING DIAGRAM-BODY, 12V FOR ADDITIONAL INFORMATION.
1. ALL WIRES TO BE CLAMPED WITH CLAMP 10495-01-000 OR WIRE TIE 8343-02-000 EVERY 600MM UNLESS OTHERWISE SPECIFIED.

- 42B TV, REAR-WITHOUT
- 571 RADIO SPEAKERS
- 40D INVERTER-DC/AC, 600 WATT
- 10A TV (REAR)-20" COLOR, STEREO
- 290 SOLAR PANEL-10 WATT
- ITA ITASCA ONLY
- WIN WINNEBAGO ONLY
- 265 CODES/STANDARDS-CSA/CMVSS
- 1B1 CODES/STANDARDS USA

FIRST USED		07 F33V	
DO NOT SCALE DRAWING			
TITLE: WIRING INSTL-BODY, 12V			
SHEET 2	PART NO	157966	REV

FOR ELECTRICAL TORQUE SPECIFICATIONS SEE DWG NO. 128783-01-000

FOR ELECTRICAL CALLOUTS SEE DWG NO. 121339-01-000



- 6 CONNECT TELEPHONE WIRES TO MATCHING COLORS ON PLATE-WALL, TELEPHONE.
 - 5 WIRE IN ROOF.
 - 4 TOP OF LAMP SHADE/GLOBE TO BE NO LESS THAN 150MM BELOW BOTTOM OF CABINET.
 - 3 WIRE PASSES THROUGH FLOOR AT THIS POINT.
2. SEE WIRING DIAGRAM-BODY, 12V FOR ADDITIONAL INFORMATION.
1. ALL WIRES TO BE CLAMPED WITH CLAMP 10495-01-000 OR WIRE TIE 8343-02-000 EVERY 600MM UNLESS OTHERWISE SPECIFIED.

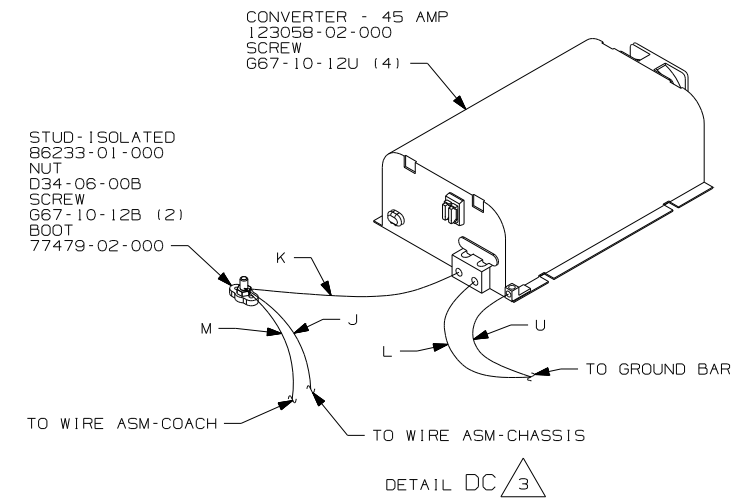
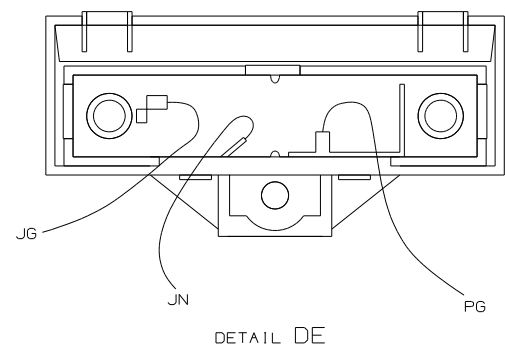
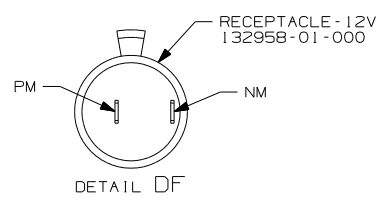
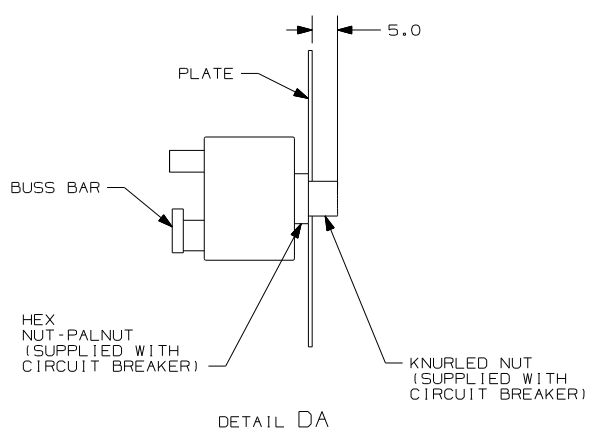
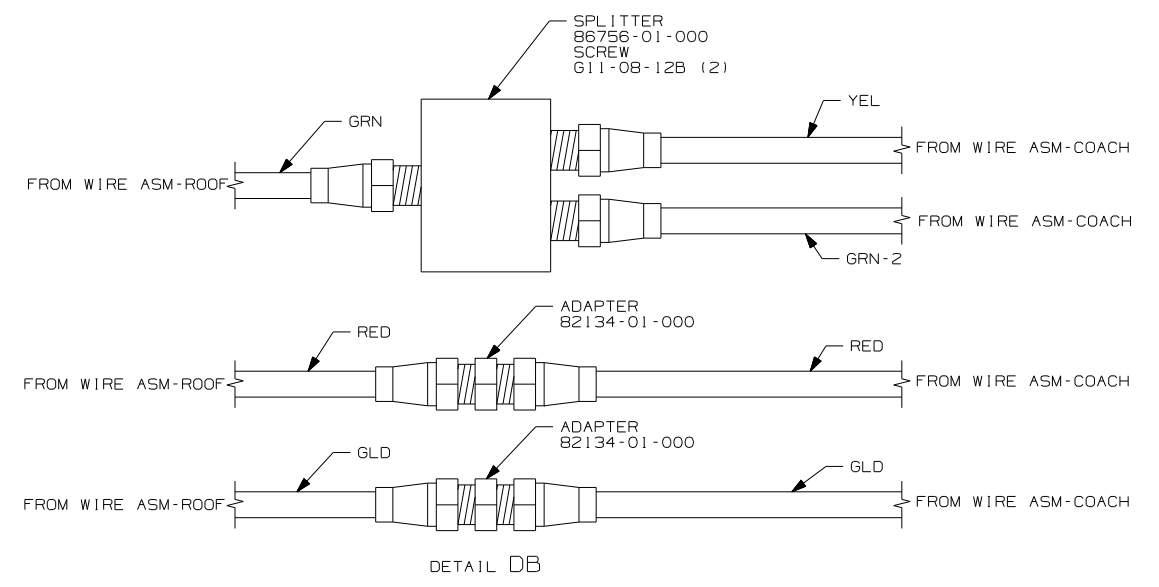
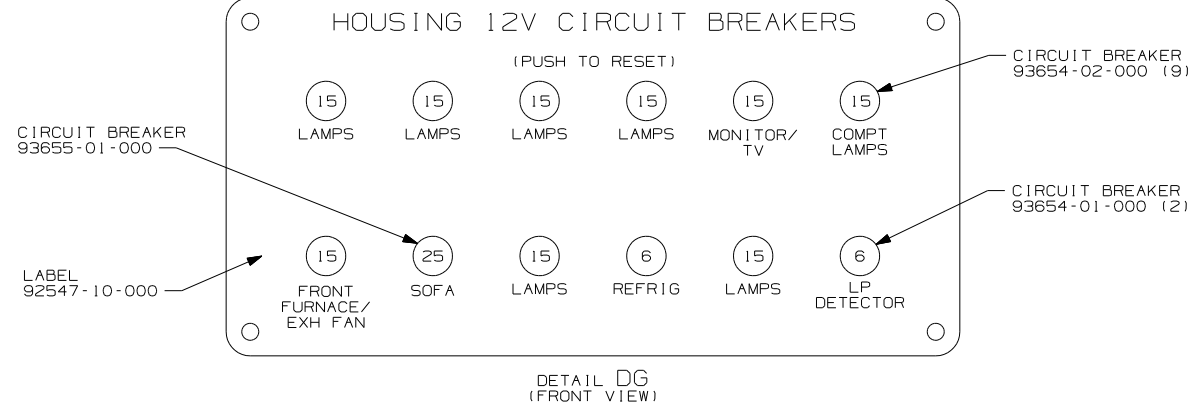
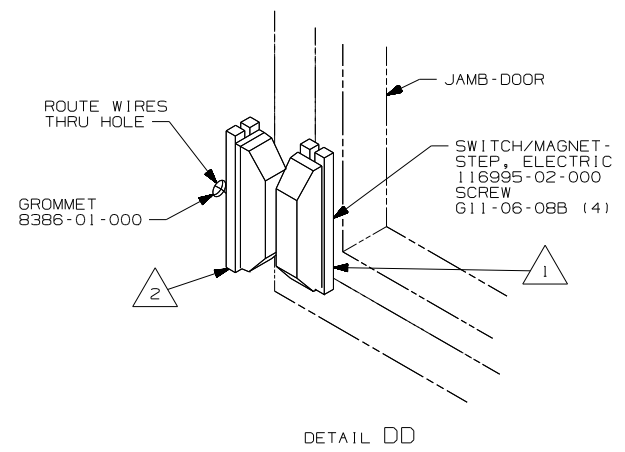
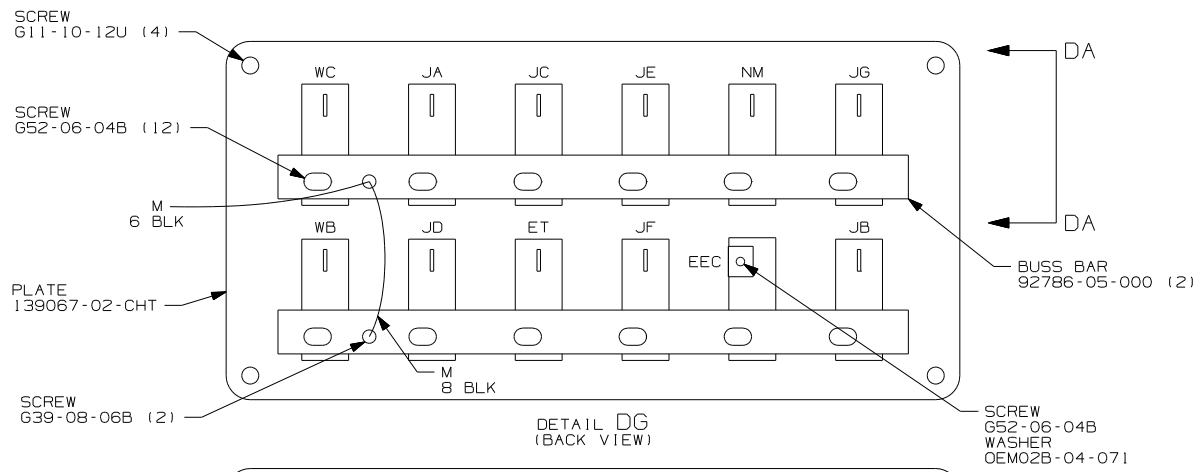
NOTES:

- 571 RADIO SPEAKERS
- 50H RADIOS TWO-WAY (4)
- IJM HOME THEATER SOUND SYSTEM
- ITA ITASCA ONLY
- WIN WINNEBAGO ONLY
- 265 CODES/STANDARDS-CSA/CMVSS
- 1B1 CODES/STANDARDS USA

FOR ELECTRICAL TORQUE SPECIFICATIONS SEE DWG NO. 128783-01-000

X-X FOR ELECTRICAL CALLOUTS SEE DWG NO. 121339-01-000

FIRST USED	07 F33V	
TITLE:	DO NOT SCALE DRAWING	
	WIRING INSTL-BODY, 12V	
SHEET 3	PART NO	157966
	REV	



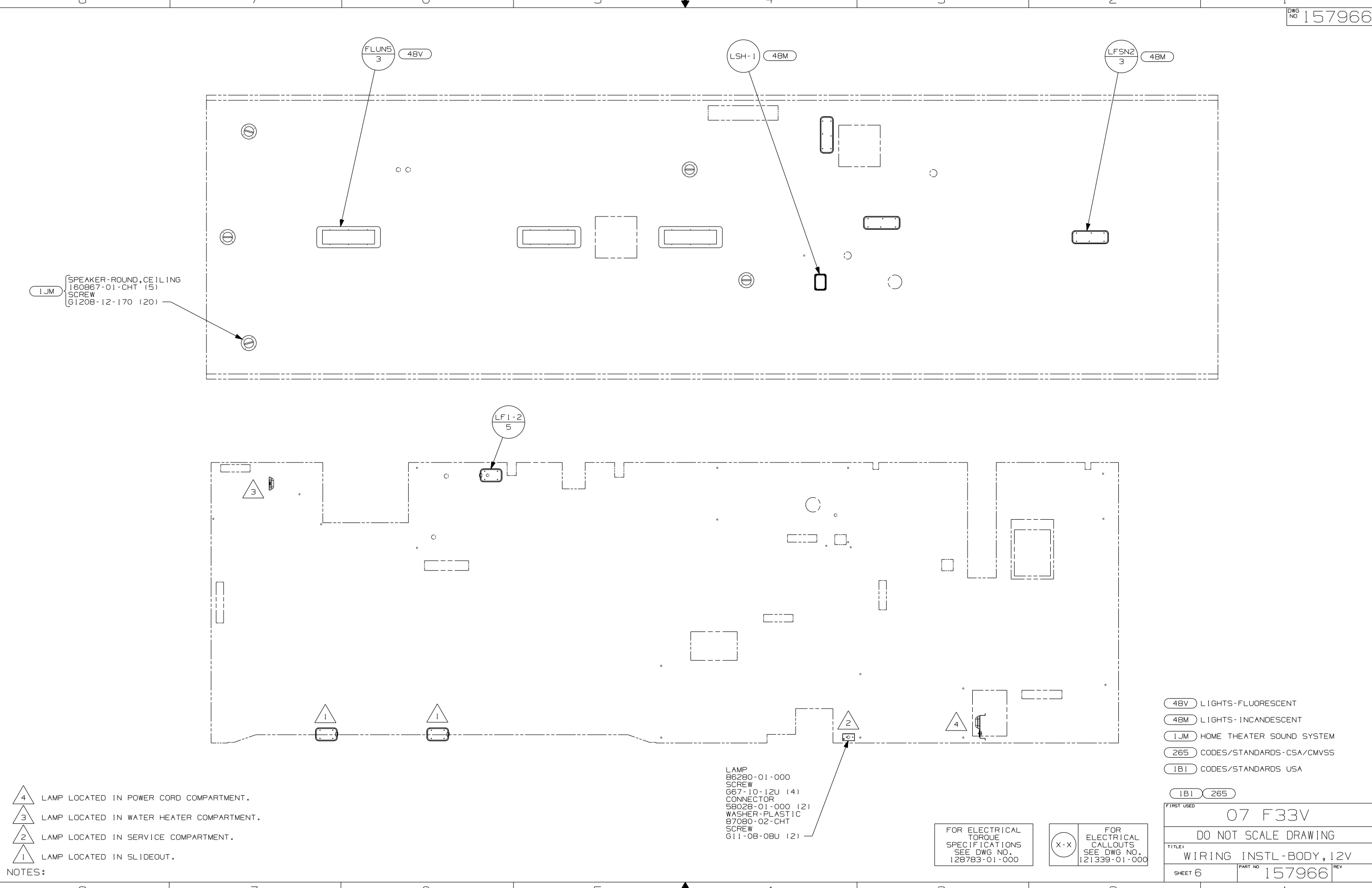
- NOTES:
- 3 FOR POSITIONING DIMENSIONS SEE WIRING INSTL-BODY, 110V.
 - 2 MOUNT SWITCH AND SPACER TO BLOCK ON JAMB ADJUST HEIGHT TO MATCH MAGNET.
 - 1 MOUNT MAGNET USING PILOT HOLES IN SCREEN DOOR FRAME. MOUNT WITH MAGNET TOWARD SWITCH.

FOR ELECTRICAL TORQUE SPECIFICATIONS SEE DWG NO. 128783-01-000

FOR ELECTRICAL CALLOUTS SEE DWG NO. 121339-01-000

265 CODES/STANDARDS-CSA/CMVSS
1B1 CODES/STANDARDS USA

FIRST USED	07 F33V
TITLE	DO NOT SCALE DRAWING
TITLE	WIRING INSTL-BODY, 12V
SHEET 4	PART NO 157966 REV



IJM
 SPEAKER-ROUND, CEILING
 160867-01-CHT (5)
 SCREW
 61208-12-170 (20)

- NOTES:
- △ 4 LAMP LOCATED IN POWER CORD COMPARTMENT.
 - △ 3 LAMP LOCATED IN WATER HEATER COMPARTMENT.
 - △ 2 LAMP LOCATED IN SERVICE COMPARTMENT.
 - △ 1 LAMP LOCATED IN SLIDEOUT.

LAMP
 86280-01-000
 SCREW
 667-10-12U (4)
 CONNECTOR
 58028-01-000 (2)
 WASHER-PLASTIC
 87080-02-CHT
 SCREW
 611-08-08U (2)

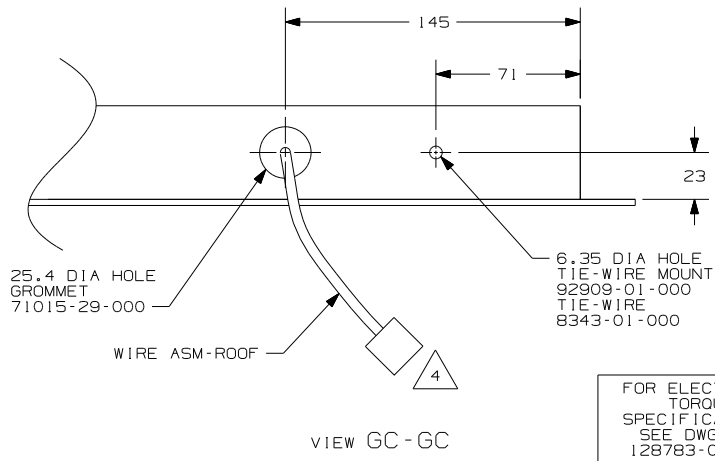
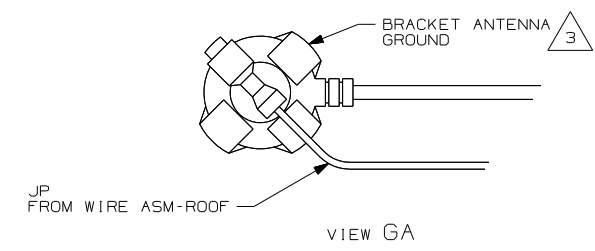
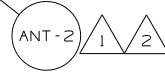
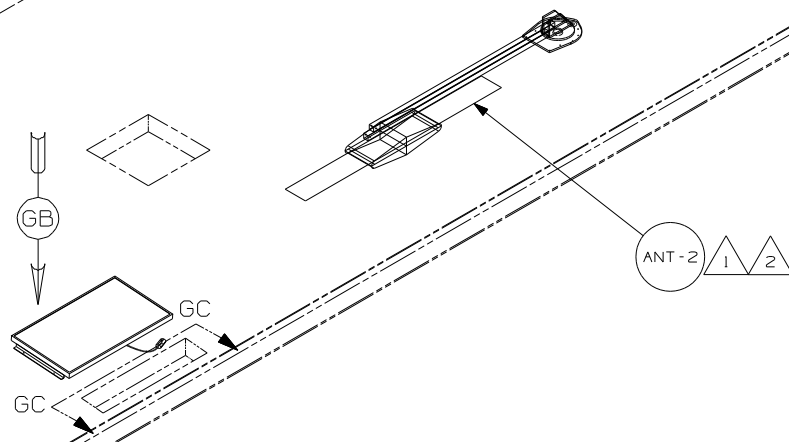
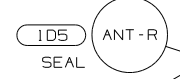
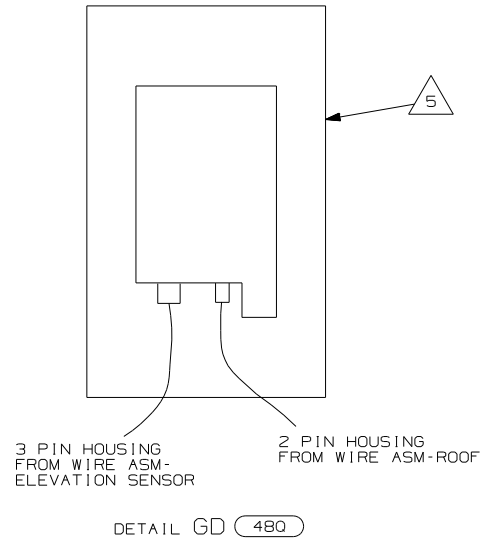
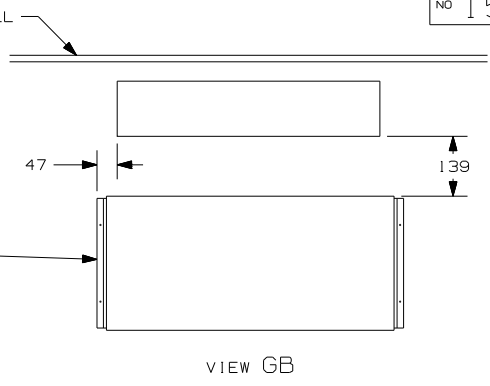
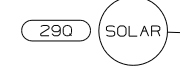
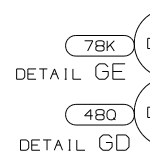
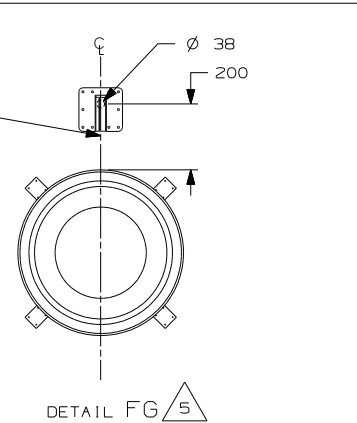
FOR ELECTRICAL
 TORQUE
 SPECIFICATIONS
 SEE DWG NO.
 128783-01-000

FOR ELECTRICAL
 CALLOUTS
 SEE DWG NO.
 121339-01-000

- 48V LIGHTS-FLUORESCENT
- 48M LIGHTS-INCANDESCENT
- IJM HOME THEATER SOUND SYSTEM
- 265 CODES/STANDARDS-CSA/CMVSS
- 1B1 CODES/STANDARDS USA

FIRST USED	07 F33V	
DO NOT SCALE DRAWING		
TITLE:	WIRING INSTL - BODY, 12V	
SHEET 6	PART NO	157966 REV

THE SATELLITE DISH WIRE CONNECTIONS ARE TO BE PLACED ON THE CENTERLINE OF THE MOTORHOME FACING FORWARD



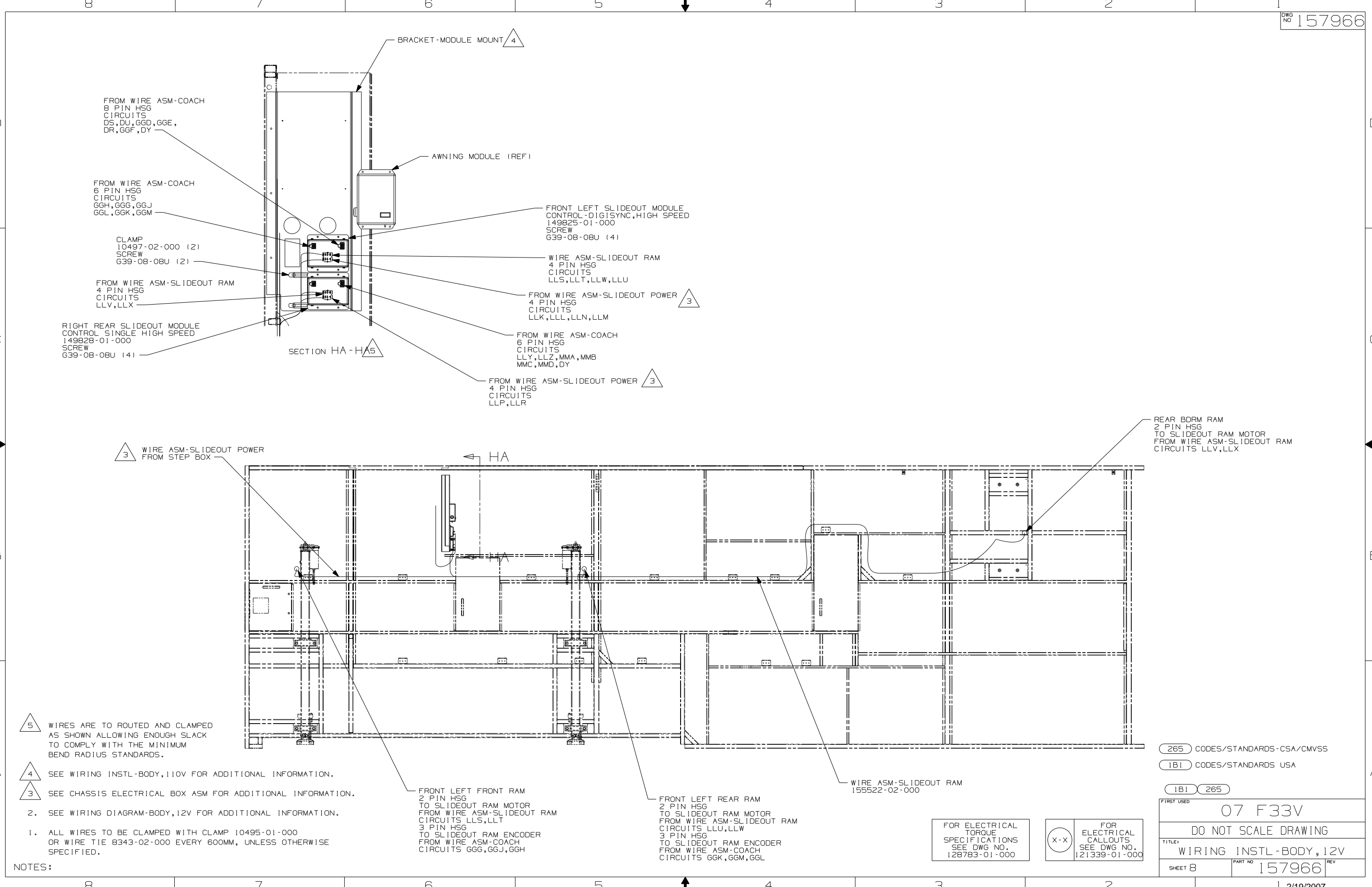
- NOTES:
- 5 SENSOR SUPPLIED WITH SATELLITE ASSEMBLY.
 - 4 FASTEN TO VENT.
 - 3 WRAP BRACKET LEGS AROUND ANTENNA BASE.
 - 2 ADD RUBBER BUMPERS TO ROOF UNDER EACH END OF ANTENNA TO PREVENT CONTACT WITH THE ROOF.
 - 1 SEE DWG 76319-01-000 FOR INSTALLATION OF TV ANTENNA.

- 78K SATELLITE DISH-AUTOMATIC
- 480 SATELLITE DISH & ELEV.SENSOR
- 290 SOLAR PANEL-10 WATT
- 1D5 ENTERTAINMENT CENTR/EXT W/CD
- 265 CODES/STANDARDS-CSA/CMVSS
- 1B1 CODES/STANDARDS USA

FOR ELECTRICAL TORQUE SPECIFICATIONS SEE DWG NO. 128783-01-000

FOR ELECTRICAL CALLOUTS SEE DWG NO. 121339-01-000

FIRST USED	07 F33V
DO NOT SCALE DRAWING	
TITLE:	WIRING INSTL-BODY, 12V
SHEET 7	PART NO 157966 REV



- 5 WIRES ARE TO ROUTED AND CLAMPED AS SHOWN ALLOWING ENOUGH SLACK TO COMPLY WITH THE MINIMUM BEND RADIUS STANDARDS.
- 4 SEE WIRING INSTL-BODY,110V FOR ADDITIONAL INFORMATION.
- 3 SEE CHASSIS ELECTRICAL BOX ASM FOR ADDITIONAL INFORMATION.
2. SEE WIRING DIAGRAM-BODY,12V FOR ADDITIONAL INFORMATION.
1. ALL WIRES TO BE CLAMPED WITH CLAMP 10495-01-000 OR WIRE TIE 8343-02-000 EVERY 600MM, UNLESS OTHERWISE SPECIFIED.

NOTES:

FRONT LEFT FRONT RAM
2 PIN HSG
TO SLIDEOUT RAM MOTOR
FROM WIRE ASM-SLIDEOUT RAM
CIRCUITS LLS,LLT
3 PIN HSG
TO SLIDEOUT RAM ENCODER
FROM WIRE ASM-COACH
CIRCUITS GGG,GGJ,GGH

FRONT LEFT REAR RAM
2 PIN HSG
TO SLIDEOUT RAM MOTOR
FROM WIRE ASM-SLIDEOUT RAM
CIRCUITS LLU,LLW
3 PIN HSG
TO SLIDEOUT RAM ENCODER
FROM WIRE ASM-COACH
CIRCUITS G GK,GGM,GGJ

FOR ELECTRICAL TORQUE SPECIFICATIONS SEE DWG NO. 128783-01-000

FOR ELECTRICAL CALLOUTS SEE DWG NO. 121339-01-000

265 CODES/STANDARDS-CSA/CMVSS

1B1 CODES/STANDARDS USA

1B1 265

FIRST USED 07 F33V

DO NOT SCALE DRAWING

TITLE: WIRING INSTL-BODY,12V

SHEET 8 PART NO 157966 REV