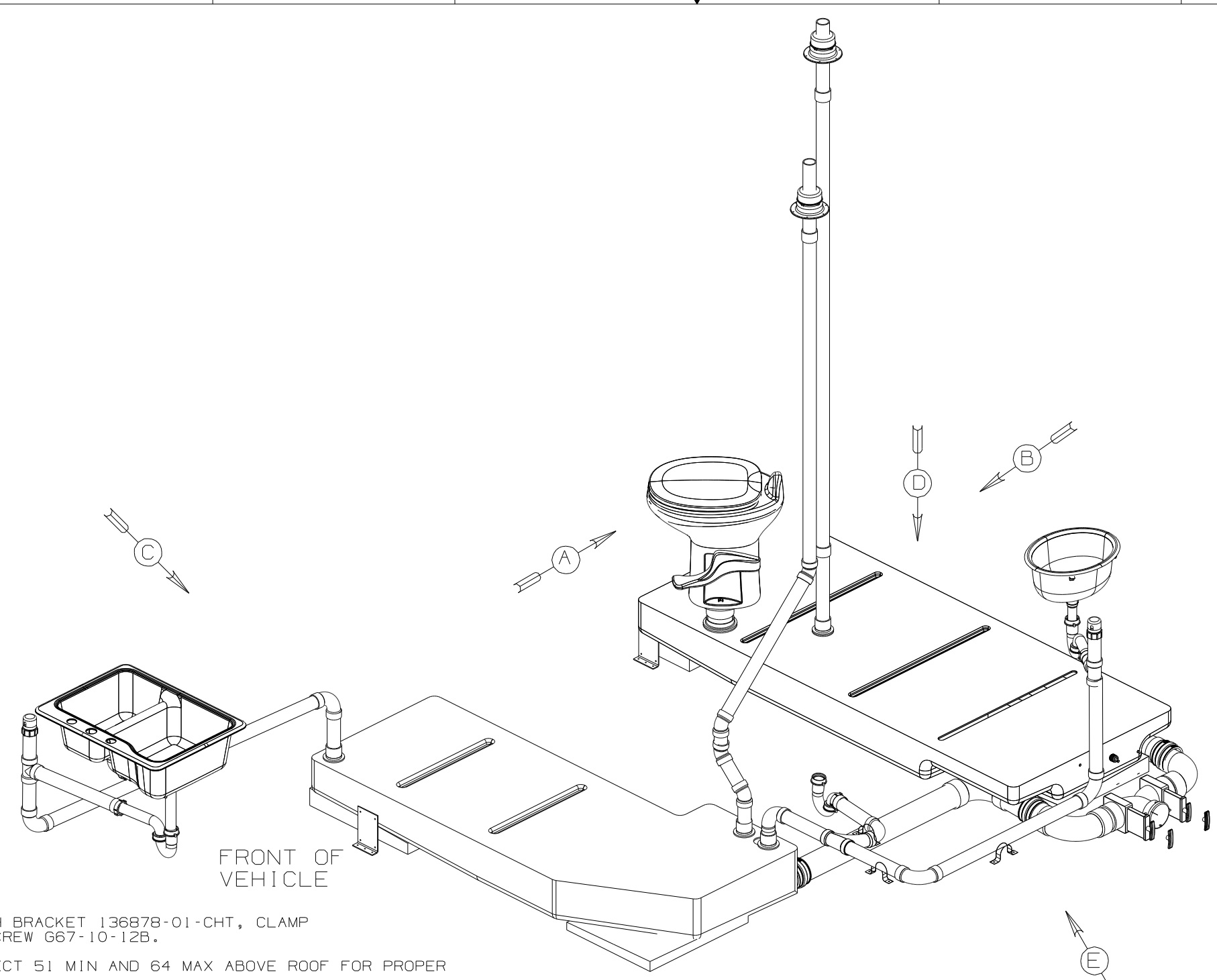


DWG NO	----
156883-01	(WIN)
156883-02	(ITA)

RELEASE	REV DATE	DWG NO
A		156883
REV ZONE	REVISION RECORD	DATE DFR-ORIG



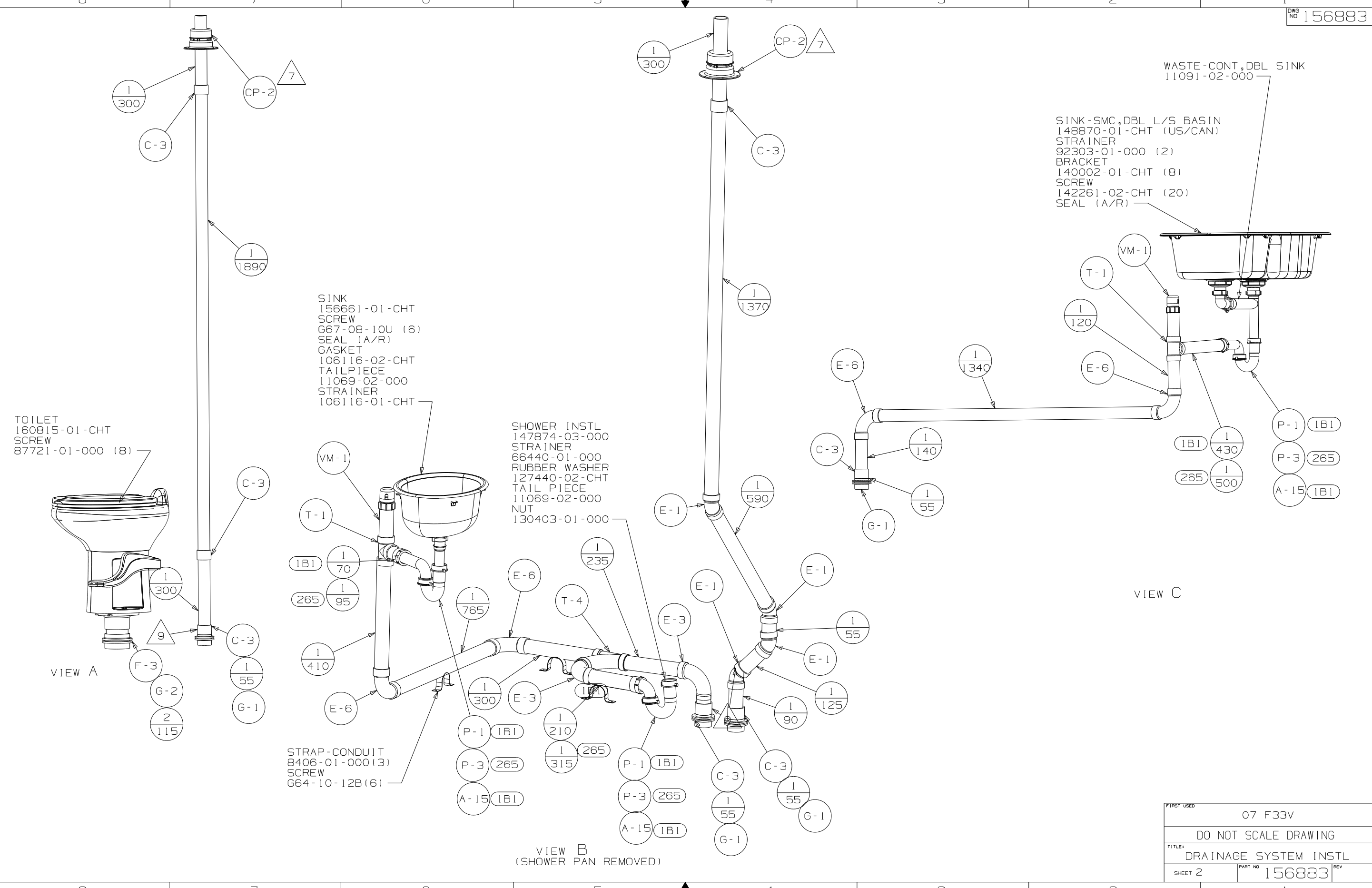
- 8 SECURE TO FLOOR WITH BRACKET 136878-01-CHT, CLAMP 62401-02-000, AND SCREW G67-10-12B.
- 7 VENT PIPE MUST PROJECT 51 MIN AND 64 MAX ABOVE ROOF FOR PROPER FIT AND FUNCTION.
- 6 FOR CANADIAN UNITS EACH HOLDING TANK SHALL HAVE A CSA APPROVAL STAMPED NEAR THE IAMPO APPROVAL.
- 5. SEAL AROUND SHOWER WITH SILICONE.
- 4. ALL EXTERIOR OPENINGS AROUND POPE TO BE SEALED WITH 100744-01-000.
- 3. ALL PIPE AND FITTINGS TO BE ASSEMBLED WITH SOLVENT 4020-01-000 (US), 4020-02-000 (CAN).
- 2. SLOPE OF TRAP ARM MUST E 6 PER 305 mm.
- 1. SLOPE OF HORIZONTAL PIPING TO BE 6 PER 305 mm.

- (WIN) WINNEBAGO ONLY
- (ITA) ITASCA ONLY
- (265) CODES/STANDARDS-CSA/CMVSS
- (1B1) CODES/STANDARDS-USA

WINNEBAGO		COPYRIGHT 2007 WINNEBAGO INDUSTRIES, INC.	
DFTR	ORIG. DATE	ALL DIMENSIONS ARE IN MILLIMETERS	
CHKR		FIRST USED	
P.E.		07 F33V	
M.E.		UNSPECIFIED TOLERANCES ARE:	
DSNR		MATERIAL:	
		WHOLE DIM (X)	: 3
		ONE-PLACE (X.X)	:
		TWO-PLACE (X.XX)	:
		ANGLE	:
		THIRD ANGLE PROJECTION	
DO NOT SCALE DRAWING			
TITLE: DRAINAGE SYSTEM INSTL			
SHEET 1 OF 3	PART NO	156883	REV
REF:	1 2/7/2007		

(X-X)
FOR
DRAINAGE
CALLOUTS
SEE DWG NO.
116229-01-000

NOTES:



TOILET
160815-01-CHT
SCREW
87721-01-000 (8)

SINK
156661-01-CHT
SCREW
667-08-10U (6)
SEAL (A/R)
GASKET
106116-02-CHT
TAILPIECE
11069-02-000
STRAINER
106116-01-CHT

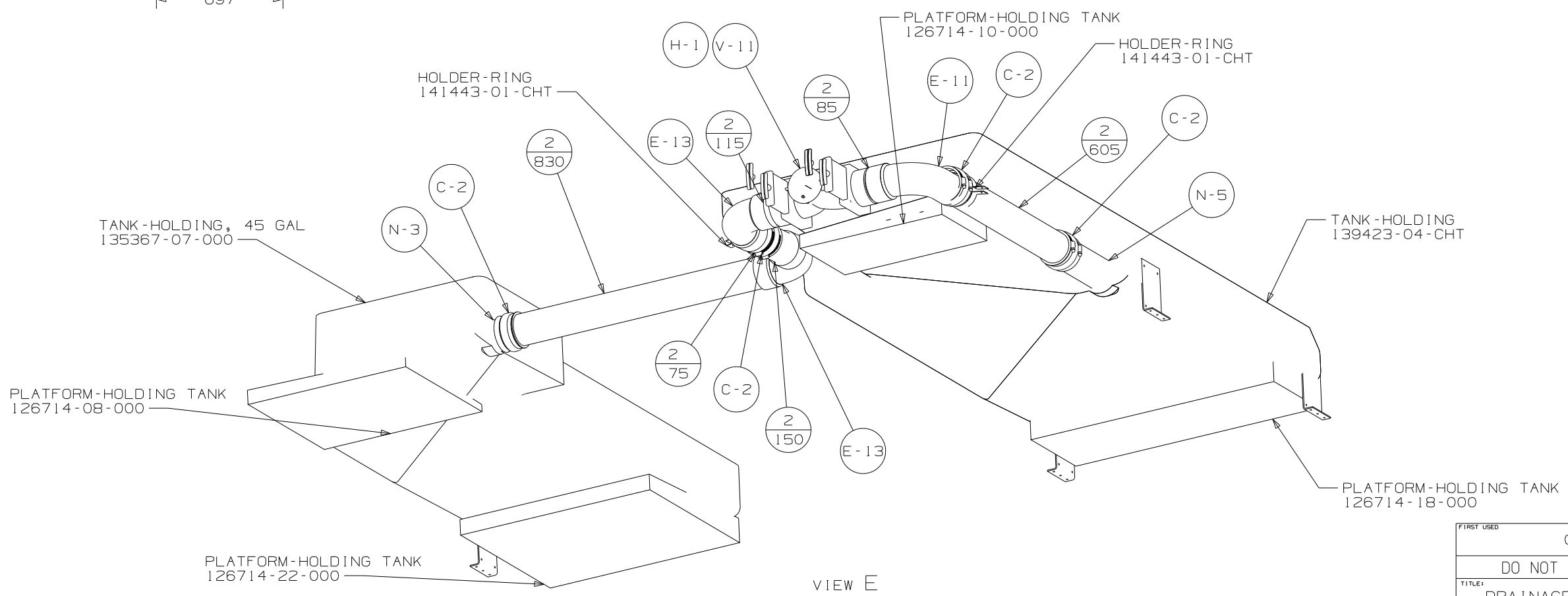
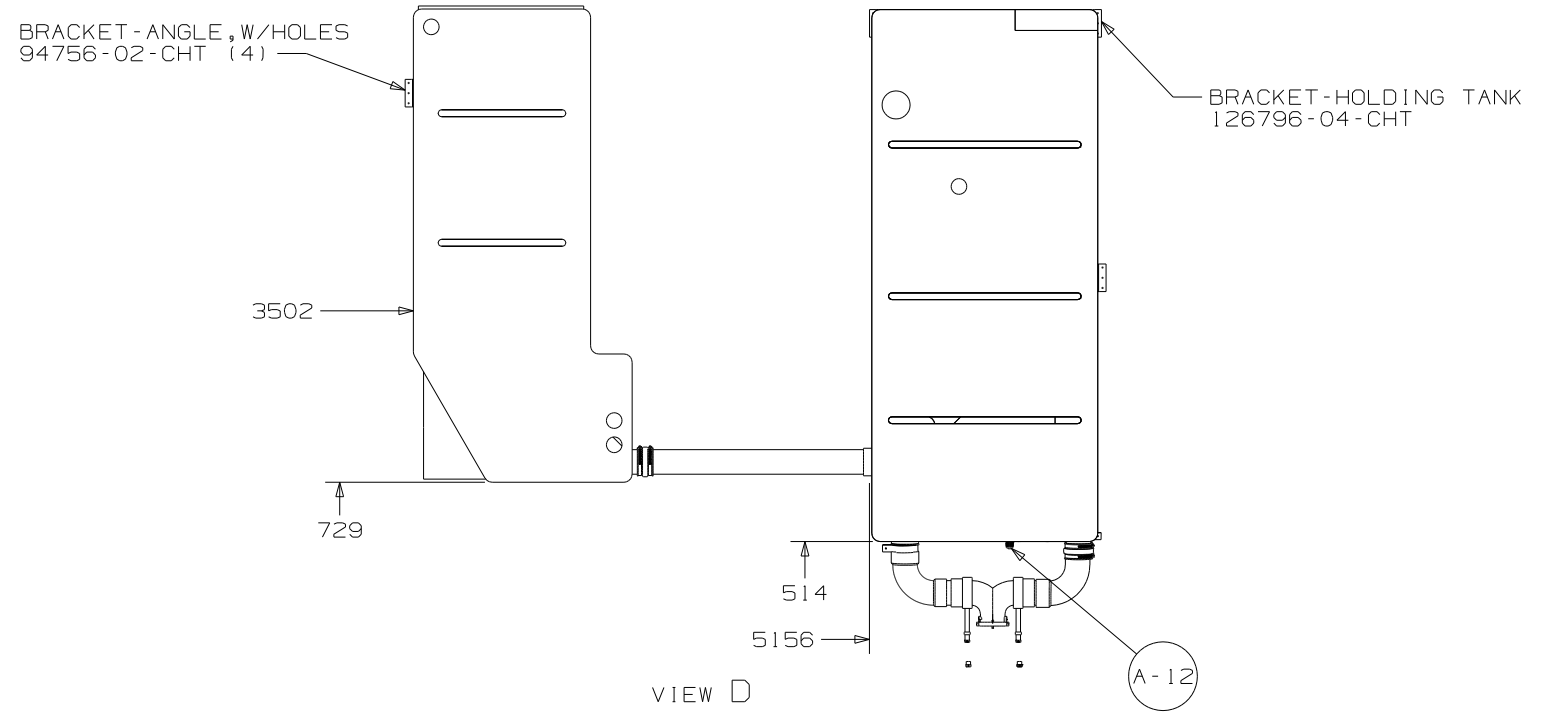
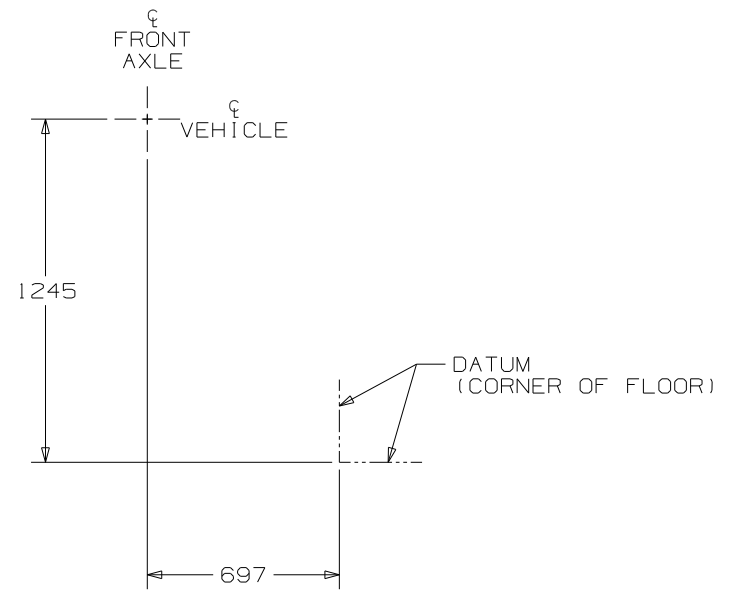
SHOWER INSTL
147874-03-000
STRAINER
66440-01-000
RUBBER WASHER
127440-02-CHT
TAIL PIECE
11069-02-000
NUT
130403-01-000

WASTE-CONT, DBL SINK
11091-02-000

SINK-SMC, DBL L/S BASIN
148870-01-CHT (US/CAN)
STRAINER
92303-01-000 (2)
BRACKET
140002-01-CHT (8)
SCREW
142261-02-CHT (20)
SEAL (A/R)

STRAP-CONDUIT
8406-01-000 (3)
SCREW
664-10-12B (6)

FIRST USED	07 F33V		
TITLE	DO NOT SCALE DRAWING		
	DRAINAGE SYSTEM INSTL		
SHEET 2	PART NO	156883	REV
			1 2/7/2007

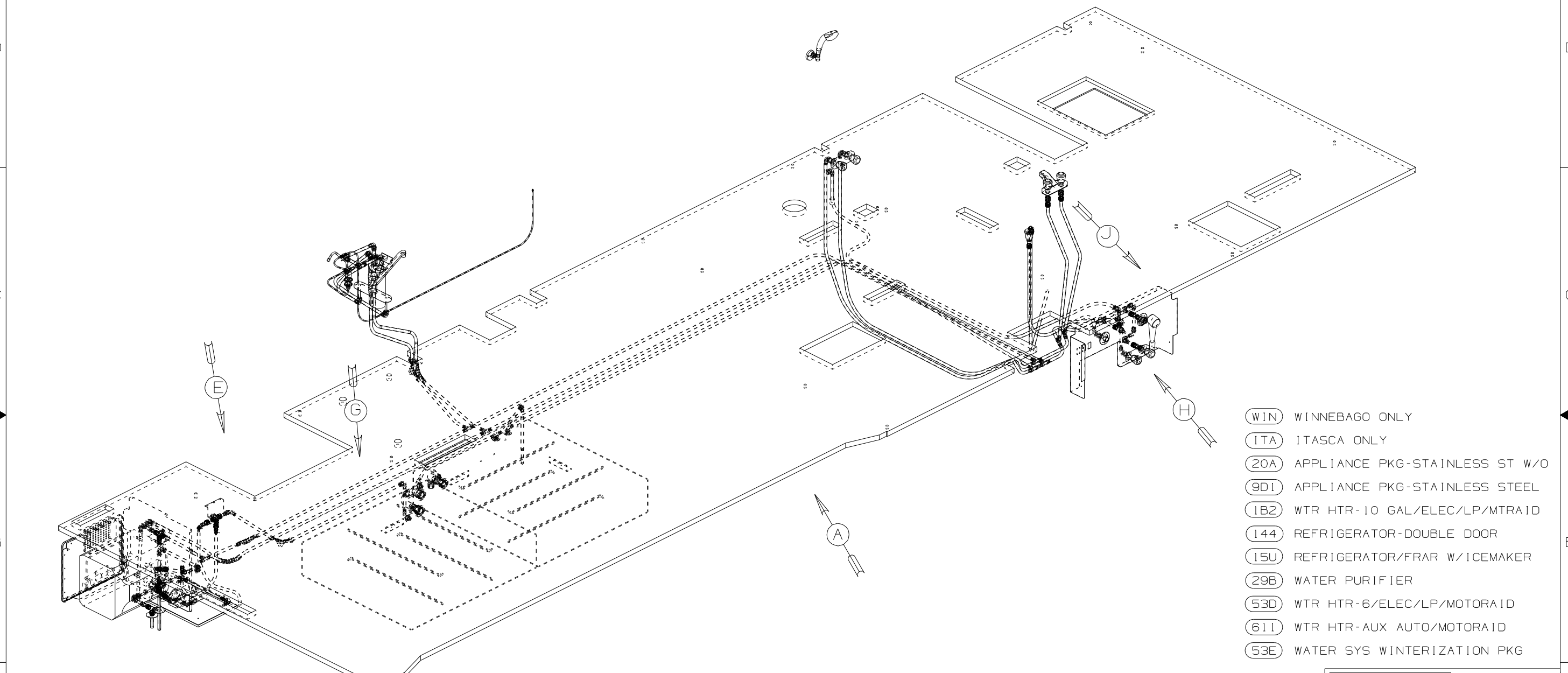


FIRST USED	07 F33V		
TITLE	DO NOT SCALE DRAWING		
	DRAINAGE SYSTEM INSTL		
SHEET 3	PART NO	156883	REV

8 7 6 5 4 3 2

DWG NO
156882-01 (WIN)
156882-02 (ITA)

RELEASE REV DATE A
REV ZONE REVISION RECORD DATE DFR-ORIG
DWG NO 156882



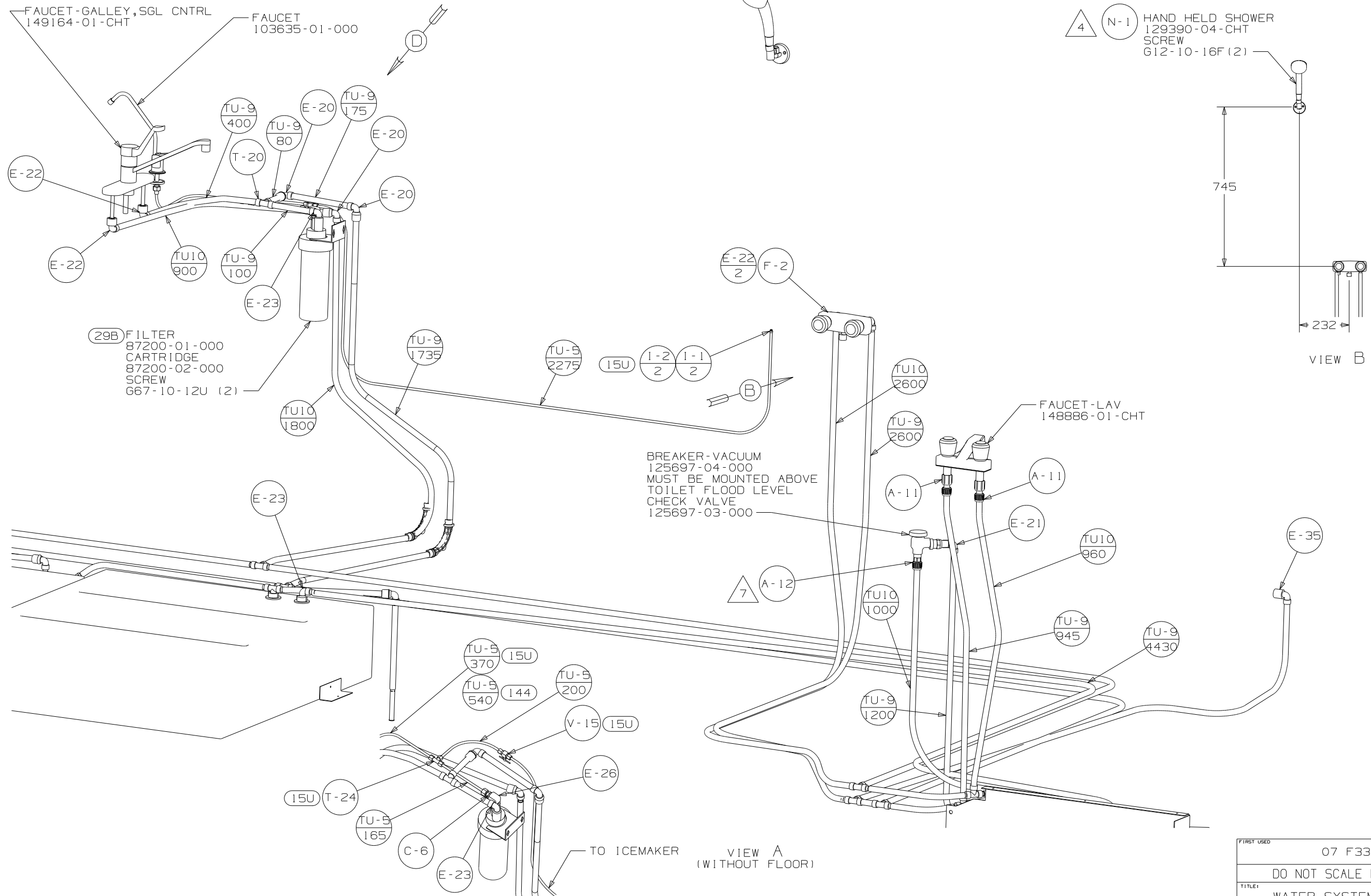
- (WIN) WINNEBAGO ONLY
- (ITA) ITASCA ONLY
- (20A) APPLIANCE PKG-STAINLESS ST W/O
- (9D1) APPLIANCE PKG-STAINLESS STEEL
- (1B2) WTR HTR-10 GAL/ELEC/LP/MTRAIID
- (144) REFRIGERATOR-DOUBLE DOOR
- (15U) REFRIGERATOR/FRAR W/ICEMAKER
- (29B) WATER PURIFIER
- (53D) WTR HTR-6/ELEC/LP/MOTORAID
- (611) WTR HTR-AUX AUTO/MOTORAID
- (53E) WATER SYS WINTERIZATION PKG

- NOTES:
- 7 ADD TEFLON TAPE 10405-03-000.
 - 6 ADD TEFLON TAPE 10405-02-000.
 - 5 ADD TEFLON TAPE 10405-01-000.
 - 4 USE IN PLACE OF SUPPLIED SCREWS TO ATTACH BRACKET TO WALL.
 - 3. ALL TUBING TO BE SECURED AT 1200 INTERVALS MAXIMUM WITH CLAMP 10495-01-000 AND SCREW G67-10-12B OR EQUIVALENT.
 - 2. TUBING TO BE INSTALLED WITH SUFFICIENT SLOPE TO PROVIDE DRAINAGE TO NEAREST VALVE.
 - 1. PLASTIC FITTINGS TO BE SEALED WITH SEALANT 84456-01-000.

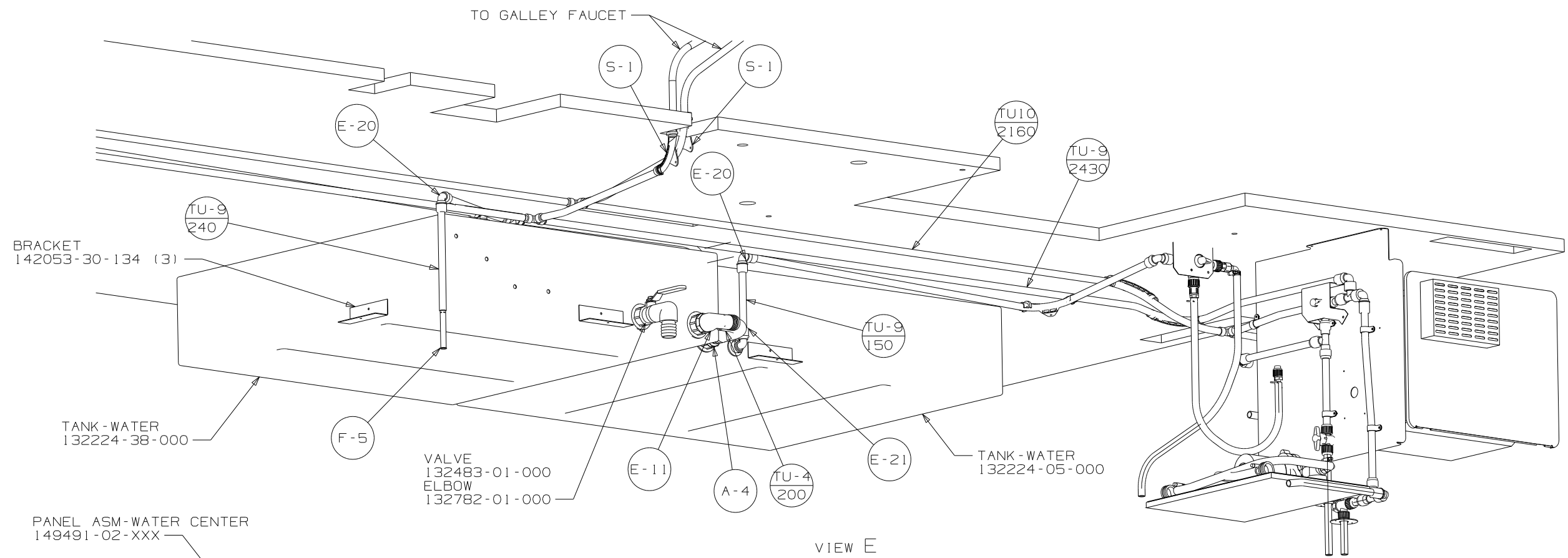
(X-X)
FOR WATER CALLOUTS SEE DWG NO 116230-01-000

WINNEBAGO		COPYRIGHT 2006 WINNEBAGO INDUSTRIES, INC.	
DFTR	ORIG. DATE	ALL DIMENSIONS ARE IN MILLIMETERS	
CHKR		FIRST USED	
P.E.		07 F33V	
M.E.		UNSPECIFIED TOLERANCES ARE:	
DSNR		MATERIAL:	
		WHOLE DIM (X) :	7
		ONE-PLACE (X.X) :	
		TWO-PLACE (X.XX) :	
		ANGLE :	
THIRD ANGLE PROJECTION			
DO NOT SCALE DRAWING			
TITLE: WATER SYSTEM INSTL			
SHEET 1 OF 4	PART NO 156882	REV	
REF:	1 10/18/2006		

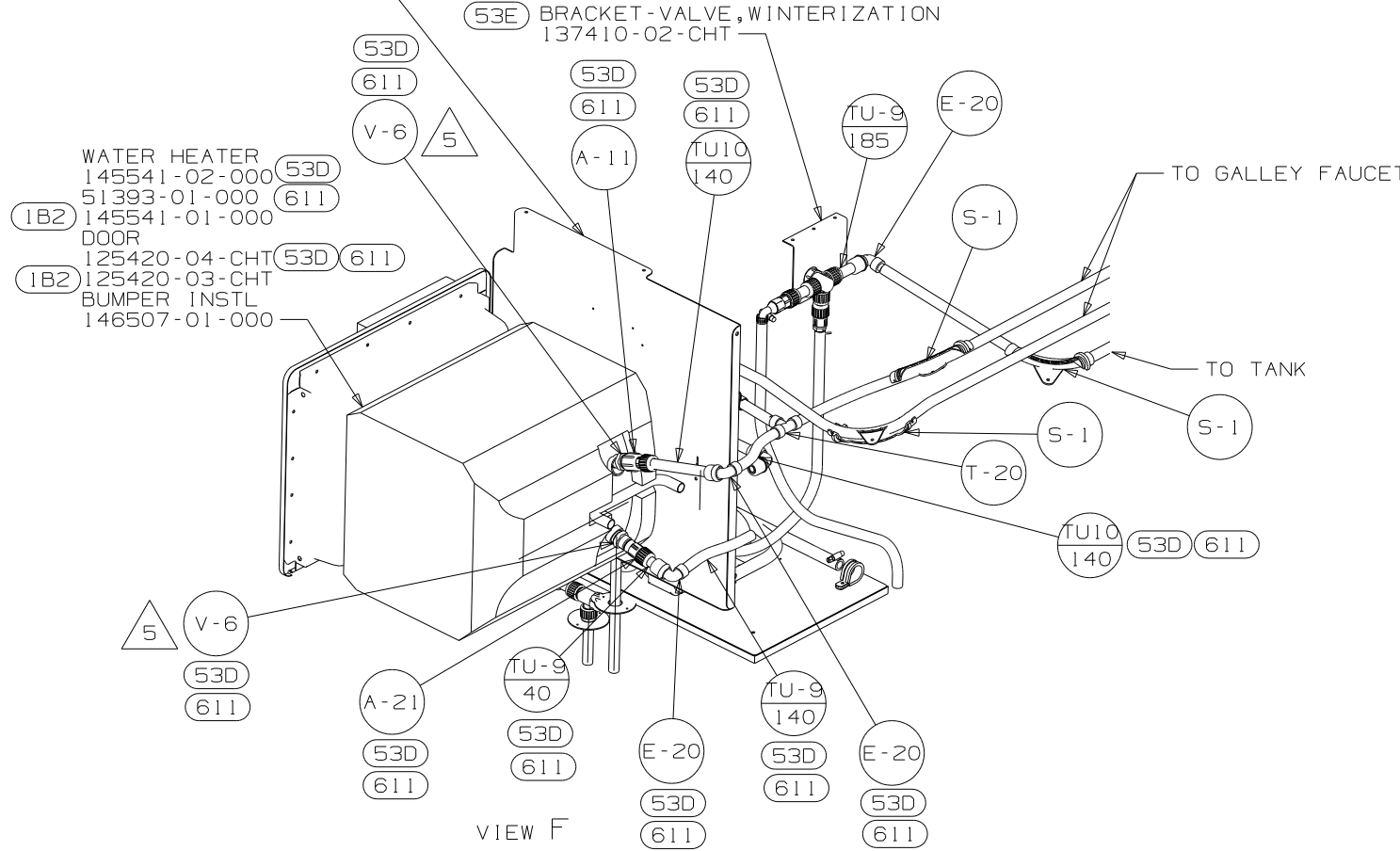
8 7 6 5 4 3 2



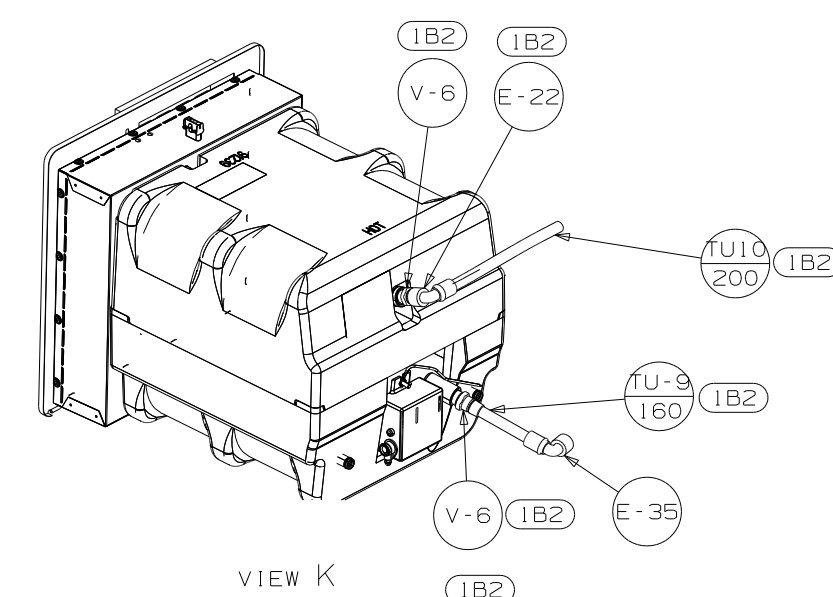
FIRST USED	07 F33V
DO NOT SCALE DRAWING	
TITLE	WATER SYSTEM INSTL
SHEET 2	PART NO 156882 REV



VIEW E

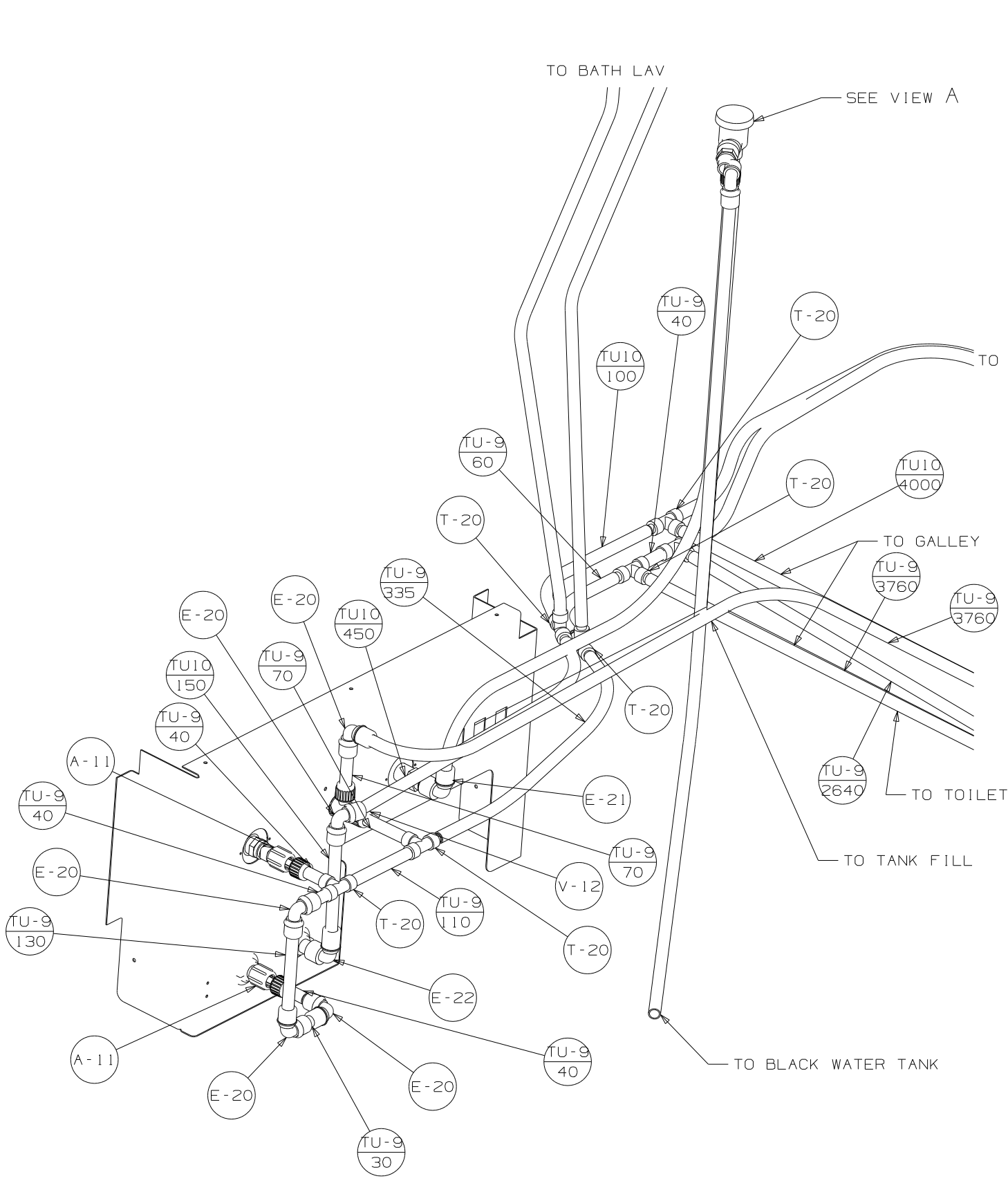


VIEW F

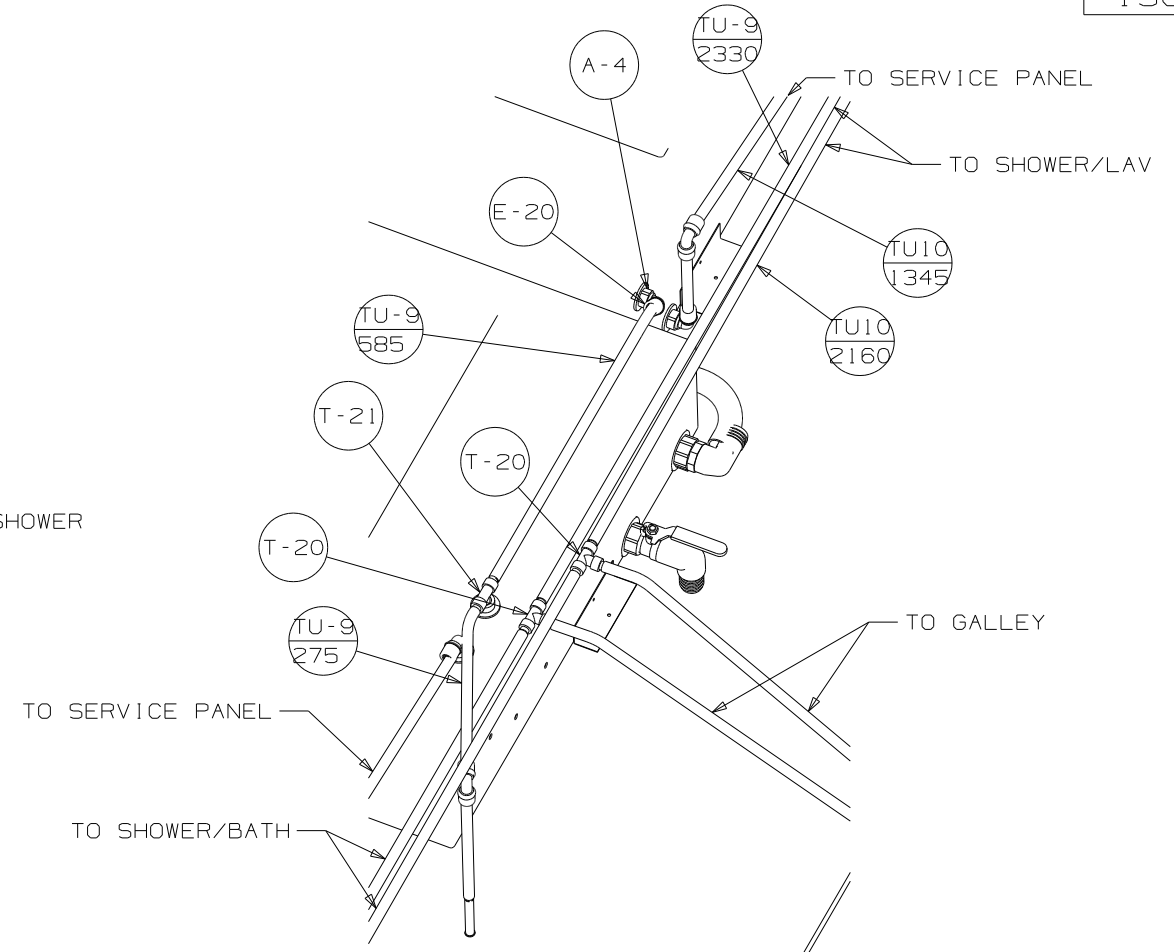


VIEW K

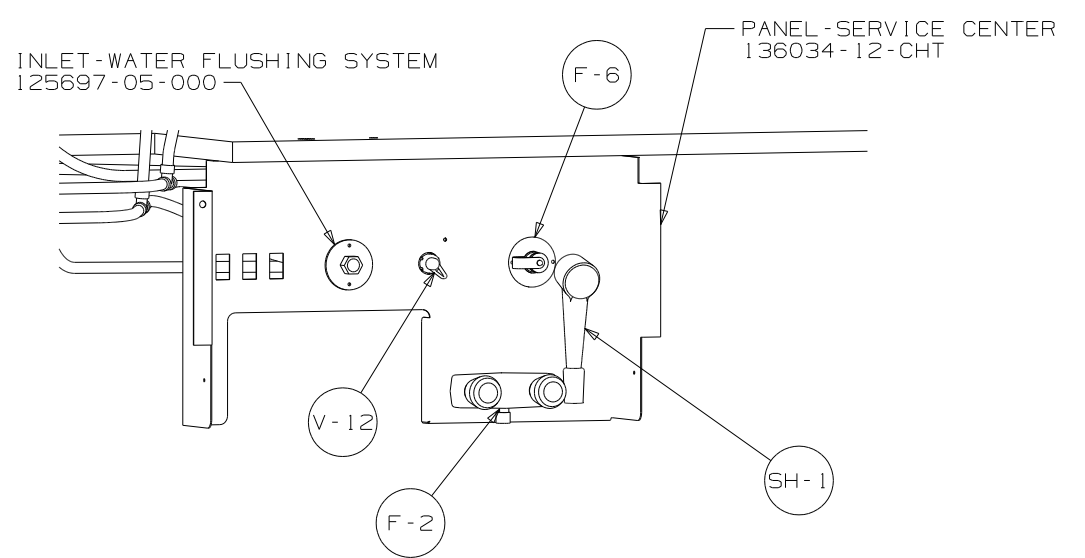
FIRST USED	07 F33V	
TITLE	DO NOT SCALE DRAWING	
SHEET 3	PART NO	156882
	REV	10/18/2006



VIEW J



VIEW G



VIEW H

FIRST USED	07 F33V	
TITLE	DO NOT SCALE DRAWING	
	WATER SYSTEM INSTL	
SHEET 4	PART NO	156882
	REV	