



DANGER

Danger of electrical shock, burns or death. Always remove all power sources before attempting any repair, service or diagnostic work. Power can be present from shore power, generator, inverter or battery. All power sources must be disabled and secured before performing any service.

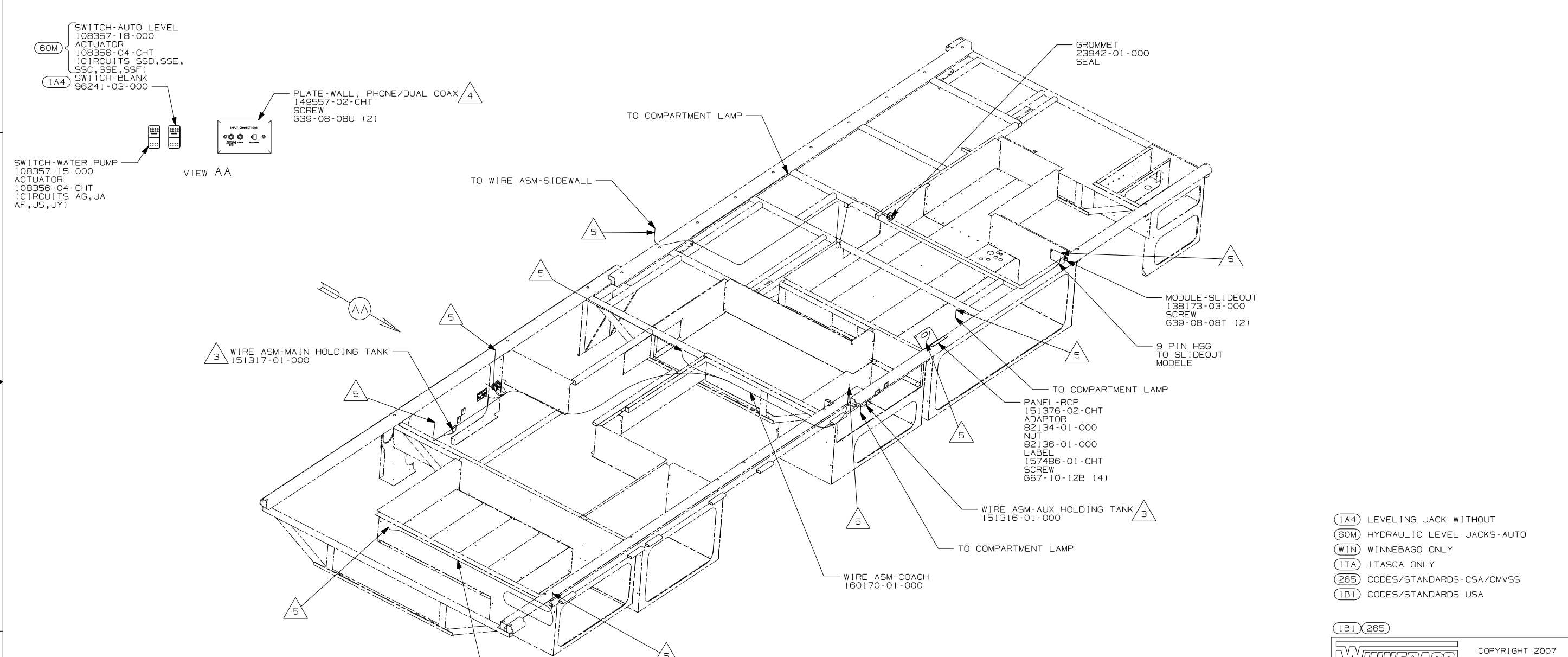


CAUTION

If you lack the skills, tools or equipment to perform diagnostic or repair work leave such work to an authorized Winnebago Industries dealer or other qualified shop.

DWG NO	FEATURE
159697-01	(WIN)
159697-02	(ITA)

RELEASE	REV DATE	DWG NO
A		159697
REV ZONE	REVISION RECORD	DATE



- 5 WIRE PASSES THROUGH FLOOR IN THIS AREA.
 - 4 CONNECT TELEPHONE WIRES TO MATCHING COLORS ON PLATE-WALL,PHONE/DUAL COAX.
 - 3 PLACE CROSS LOCATOR ON SENSORS OVER DIMPLES ON TANK.
2. ROUTE TANK SENSOR WIRES SO THEY DO NOT PASS OVER SENSORS. USE WIRE TIE MOUNT 155366-01-000 AND WIRE TIE 8343-01-000 AS NEEDED. TANK SURFACE MUST BE CLEANED USING ISOPROPYL ALCOHOL AND PRIMED WITH PRIMER 94.
 1. ALL WIRES TO BE SECURED WITH CLAMP 10495 OR 10497 OR WIRE TIE 8343 OR 108046 EVERY 600mm, USE SCREW 667-XX-XXX OR 656-XX-XXX AS APPROPRIATE FOR INSTALLATION.

NOTES:

- (1A4) LEVELING JACK WITHOUT
- (60M) HYDRAULIC LEVEL JACKS-AUTO
- (WIN) WINNEBAGO ONLY
- (ITA) ITASCA ONLY
- (265) CODES/STANDARDS-CSA/CMVSS
- (1B1) CODES/STANDARDS USA

(1B1) (265)

WINNEBAGO COPYRIGHT 2007 WINNEBAGO INDUSTRIES, INC.

DFTR	ORIG. DATE
CHKR	ALL DIMENSIONS ARE IN MILLIMETERS
P.E.	FIRST USED
M.E.	07 D35J
DSNR	

UNSPECIFIED TOLERANCES ARE:	MATERIAL:
HOLE DIM (X) : 3	
ONE-PLACE (X.X) : 1.5	
TWO-PLACE (X.XX) : 0.50	
ANGLE : 1°	

THIRD ANGLE PROJECTION

DO NOT SCALE DRAWING

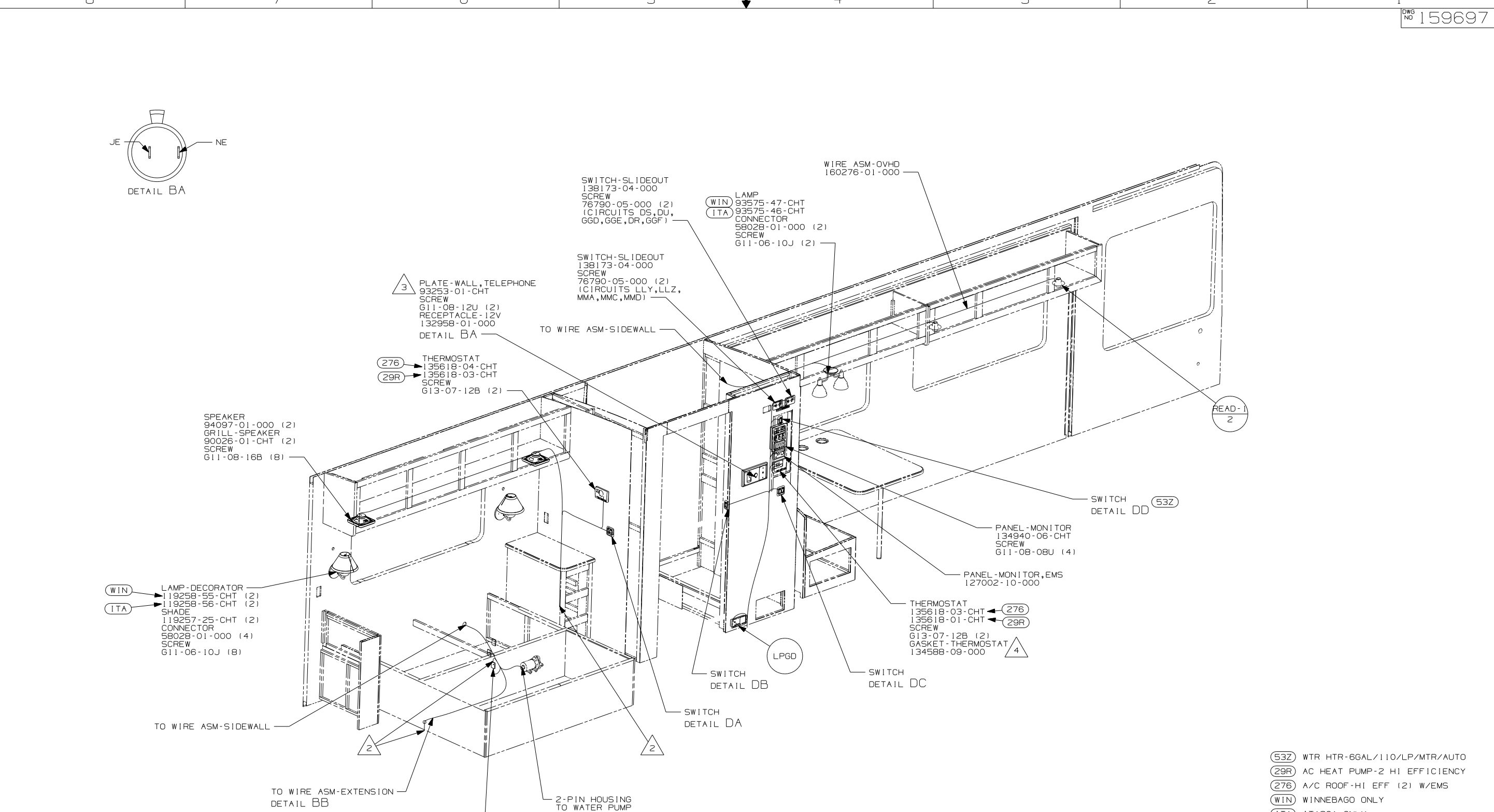
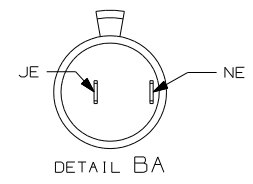
TITLE: WIRING INSTL-BODY, 12V

SHEET 1 OF 8 PART NO 159697 REV

REF: 1 3/2/2007

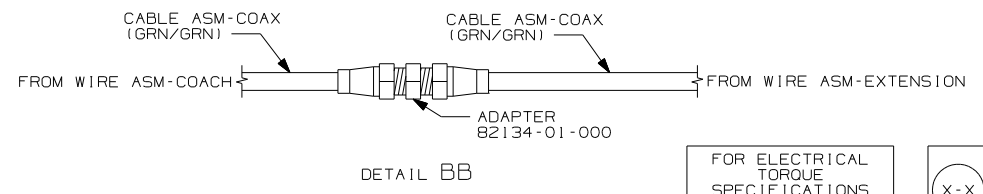
FOR ELECTRICAL TORQUE SPECIFICATIONS SEE DWG NO. 128783-01-000

(X-X) FOR ELECTRICAL CALLOUTS SEE DWG NO. 121339-01-000



- 4 INSTALL GASKET ON BACK SIDE OF ONE PLACE AFTER INSTALLATION OF THERMOSTAT, MAKING SURE THAT THE GASKET COVERS AND SEALS THE HOLE THAT THE WIRES PASS THROUGH.
- 3 CONNECT TELEPHONE WIRES TO MATCHING COLORS ON PLATE-WALL, TELEPHONE.
- 2 WIRE PASSES THROUGH FLOOR IN THIS AREA.
1. ALL WIRES TO BE SECURED WITH CLAMP 10495 OR 10497 OR WIRE TIE 8343 OR 108046 EVERY 600mm, USE SCREW 667-XX-XXX OR 656-XX-XXX AS APPROPRIATE FOR INSTALLATION.

NOTES:

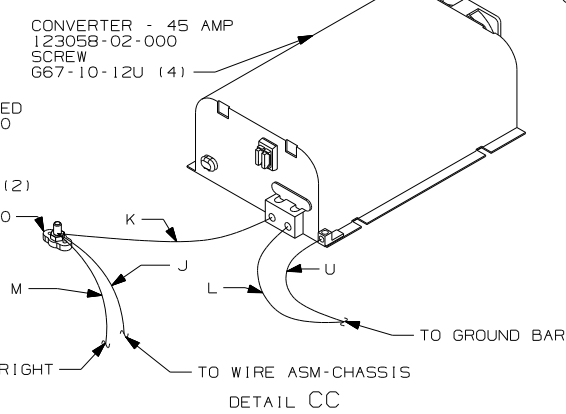
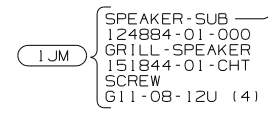
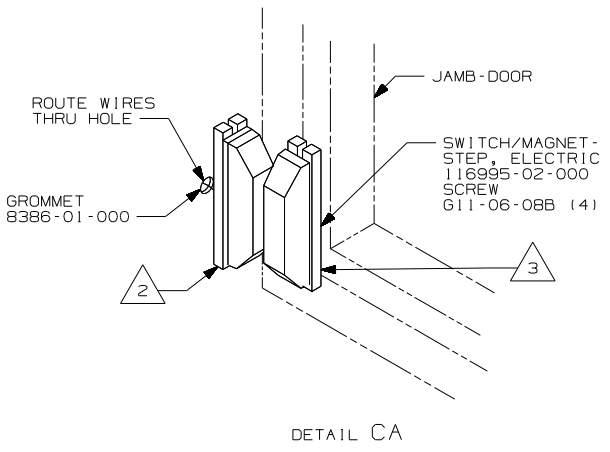
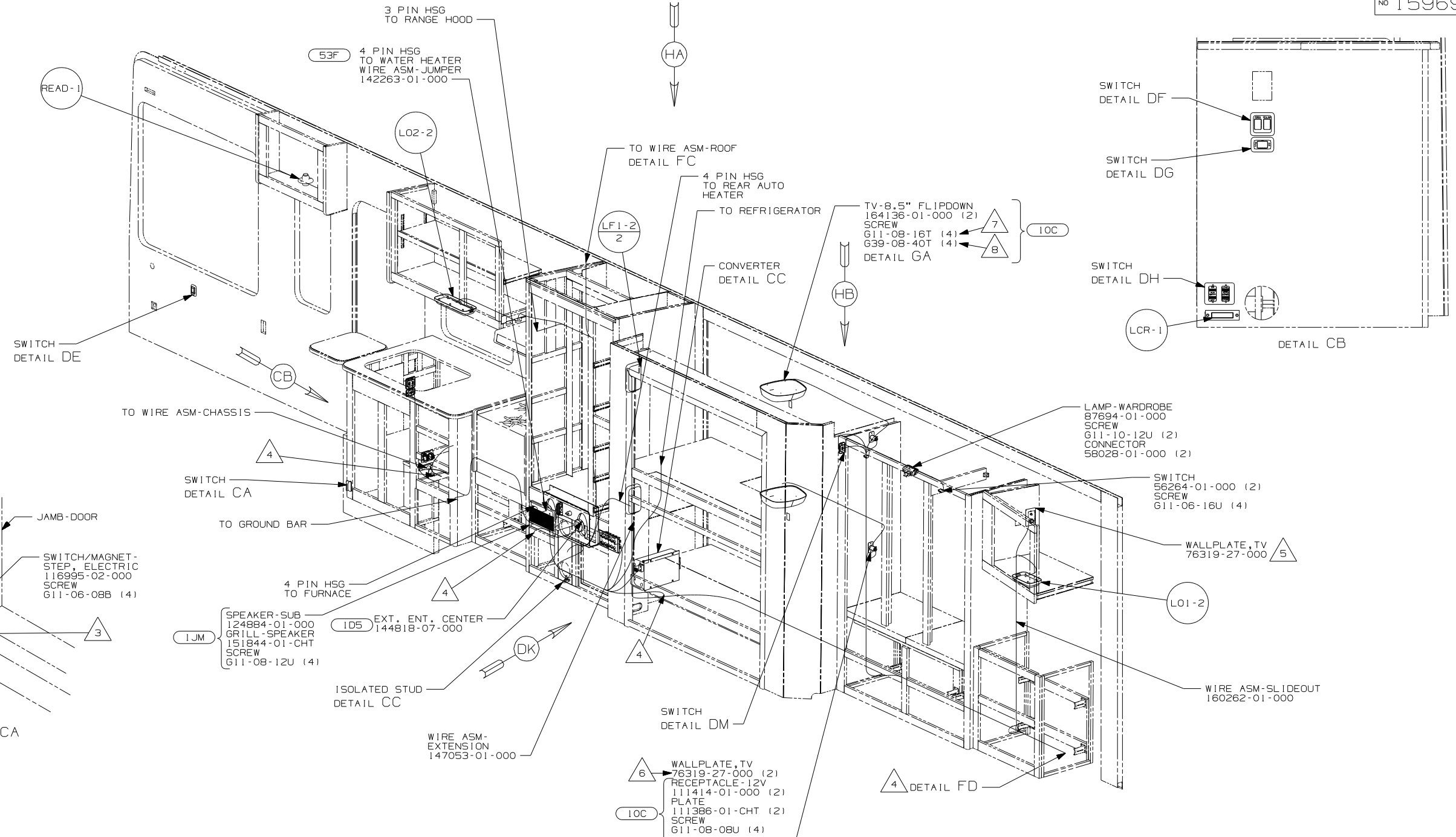
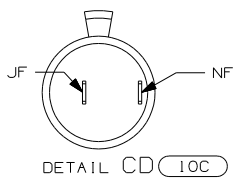


- (53Z) WTR HTR-6GAL/110/LP/MTR/AUTO
- (29R) AC HEAT PUMP-2 HI EFFICIENCY
- (276) A/C ROOF-HI EFF (2) W/EMS
- (WIN) WINNEBAGO ONLY
- (ITA) ITASCA ONLY
- (265) CODES/STANDARDS-CSA/CMVSS
- (1B1) CODES/STANDARDS USA

FIRST USED	07 D35J
DO NOT SCALE DRAWING	
TITLE:	WIRING INSTL-BODY, 12V
SHEET 2	PART NO 159697 REV

FOR ELECTRICAL TORQUE SPECIFICATIONS SEE DWG NO. 128783-01-000

FOR ELECTRICAL CALLOUTS SEE DWG NO. 121339-01-000



- 8 TO BE USED FOR TOP BUNK TV.
- 7 TO BE USED FOR BOTTOM BUNK TV.
- 6 NOT USED (10C).
- 5 NOT USED (1JU).
- 4 WIRE PASSES THROUGH FLOOR IN THIS AREA.
- 3 MOUNT MAGNET USING PILOT HOLES IN SCREEN DOOR FRAME, MOUNT WITH MAGNET TOWARD SWITCH.
- 2 MOUNT SWITCH AND SPACER TO BLOCK ON JAMB, ADJUST HEIGHT TO MATCH MAGNET.

1. ALL WIRES TO BE SECURED WITH CLAMP 10495 OR 10497 OR WIRE TIE 8343 OR 108046 EVERY 600mm, USE SCREW 667-XX-XXX OR 656-XX-XXX AS APPROPRIATE FOR INSTALLATION.

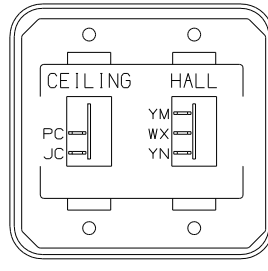
NOTES:

- (10C) DVD PLAYER W/7" MONITOR
- (1JU) TV (REAR)-19"COLOR, STEREO
- (1JM) HOME THEATER SOUND SYSTEM
- (53F) WATER HEATER-ELEC. IGNITION
- (1D5) ENTERTAINMENT CENTR/EXT W/CD
- (265) CODES/STANDARDS-CSA/CMVSS
- (1B1) CODES/STANDARDS USA

FOR ELECTRICAL TORQUE SPECIFICATIONS SEE DWG NO. 128783-01-000

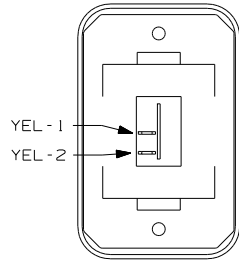
FOR ELECTRICAL CALLOUTS SEE DWG NO. 121339-01-000

FIRST USED	07 D35J
DO NOT SCALE DRAWING	
TITLE:	WIRING INSTL-BODY, 12V
SHEET 3	PART NO 159697 REV



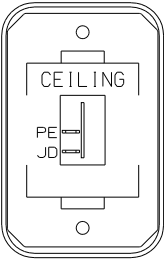
SWITCH-ROCKER
135740-01-CHT
135740-02-CHT
SWITCH-BASE
135741-02-CHT
SWITCH-BEZEL
135742-16-CHT
SCREW
G11-08-08U (4)

DETAIL DA



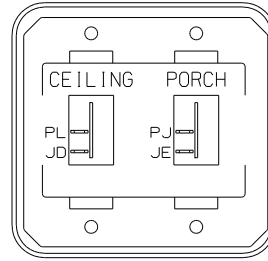
SWITCH-ROCKER
135740-01-CHT
SWITCH-BASE
135741-01-CHT
SWITCH-BEZEL
135742-01-CHT
SCREW
G11-08-08U (2)

DETAIL DE



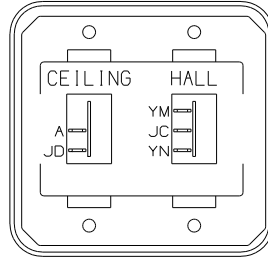
SWITCH-ROCKER
135740-01-CHT
SWITCH-BASE
135741-01-CHT
SWITCH-BEZEL
135742-07-CHT
SCREW
G11-08-08U (2)

DETAIL DB



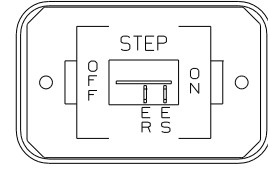
SWITCH-ROCKER
135740-01-CHT (2)
SWITCH-BASE
135741-02-CHT
SWITCH-BEZEL
135742-19-CHT
SCREW
G11-08-08U (4)

DETAIL DF



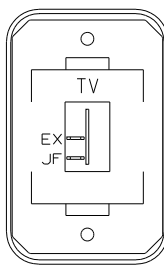
SWITCH-ROCKER
135740-01-CHT
135740-02-CHT
SWITCH-BASE
135741-02-CHT
SWITCH-BEZEL
135742-16-CHT
SCREW
G11-08-08U (4)

DETAIL DC



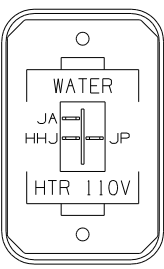
SWITCH-ROCKER
135740-01-CHT
SWITCH-BASE
135741-01-CHT
SWITCH-BEZEL
135742-11-CHT
SCREW
G11-08-08U (2)

DETAIL DG



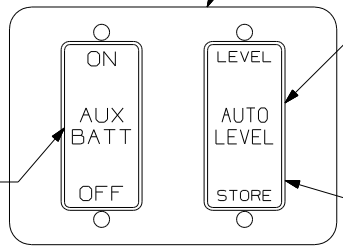
SWITCH-ROCKER
135740-01-CHT
SWITCH-BASE
135741-01-CHT
SWITCH-BEZEL
135742-45-CHT
SCREW
G11-08-08U (2)

DETAIL DM (10C)



SWITCH-ROCKER
135740-06-CHT
SWITCH-BASE
135741-01-CHT
SWITCH-BEZEL
135742-35-CHT
SCREW
G11-08-08U (2)

DETAIL DD (53Z)

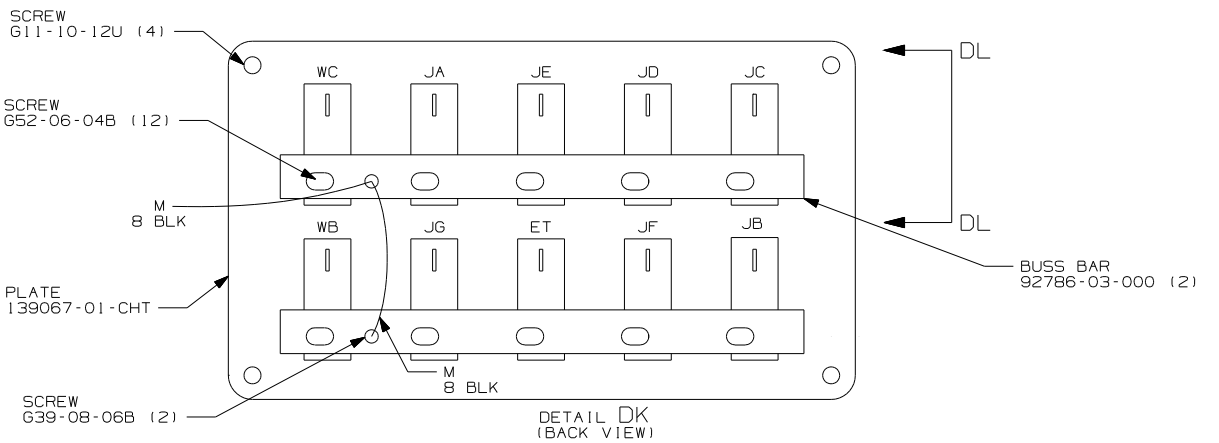


SWITCH-BAT. DISC.
108357-06-000
ACTUATOR
108356-11-CHT
(CIRCUITS KF, LH,
LJ, LJ, LG, KF)

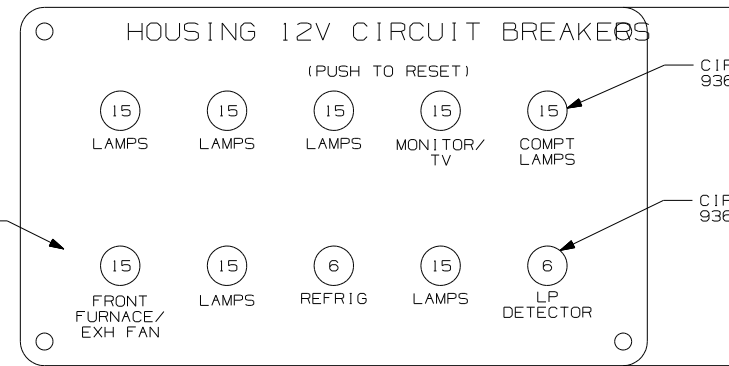
SWITCH-AUTO LEVEL
108357-18-000
ACTUATOR
108356-15-CHT
(CIRCUITS SSD, SSE,
SSC, SSE, SSF)

SWITCH-BLANK
96241-03-000

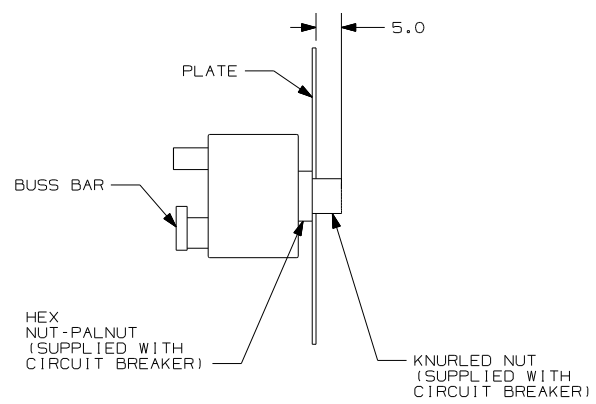
DETAIL DH



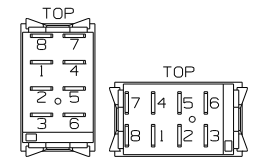
DETAIL DK (BACK VIEW)



DETAIL DK (FRONT VIEW)



DETAIL DL



DETAIL DJ

- (10C) DVD PLAYER W/7" MONITOR
- (1A4) LEVELING JACK WITHOUT
- (60M) HYDRAULIC LEVEL JACKS-AUTO
- (53Z) WTR HTR-6GAL/110/LP/MTR/AUTO
- (265) CODES/STANDARDS-CSA/CMVSS
- (1B1) CODES/STANDARDS USA

FIRST USED	07 D35J
TITLE:	DO NOT SCALE DRAWING
WIRING INSTL-BODY, 12V	
SHEET 4	PART NO 159697 REV

FOR ELECTRICAL TORQUE SPECIFICATIONS SEE DWG NO. 128783-01-000

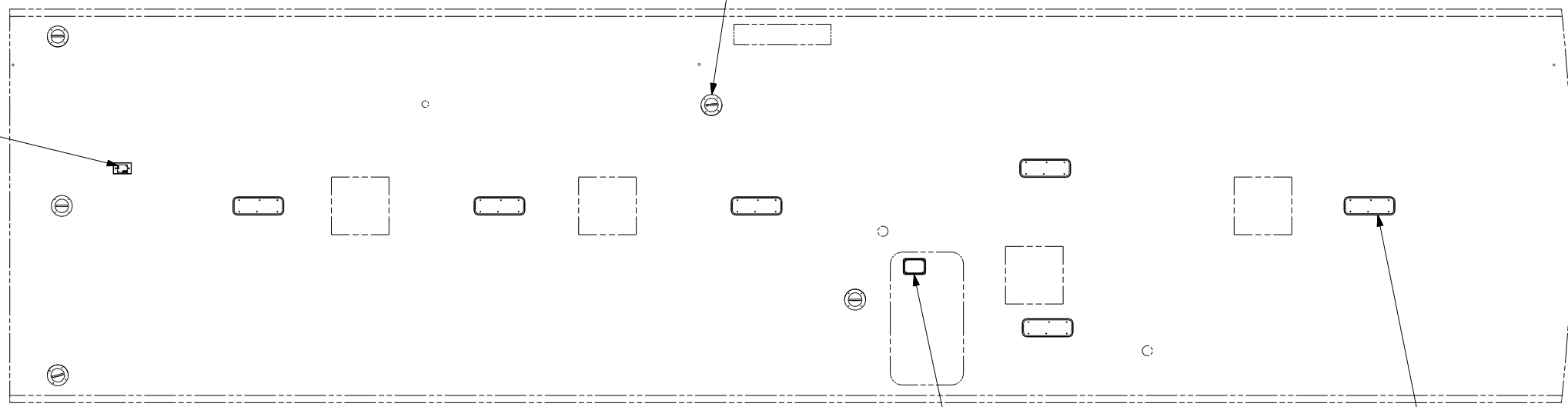
FOR ELECTRICAL CALLOUTS SEE DWG NO. 121339-01-000

1. FOR SWITCH ORIENTATION SEE DETAIL DJ

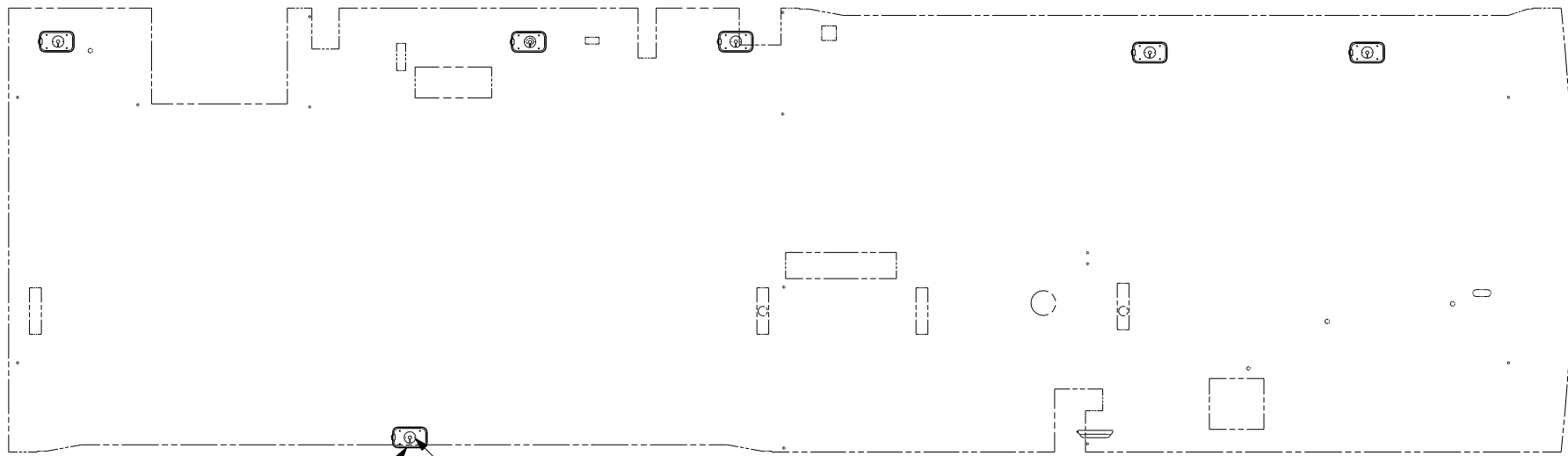
NOTES:

SATELLITE ELEVATION SENSOR
DETAIL FB

SPEAKER-ROUND, CEILING
160867-01-CHT (5)
SCREW
G1208-12-170 (20) (1JM)



WASHER
87080-02-CHT (6) (LF1-2 / 7)

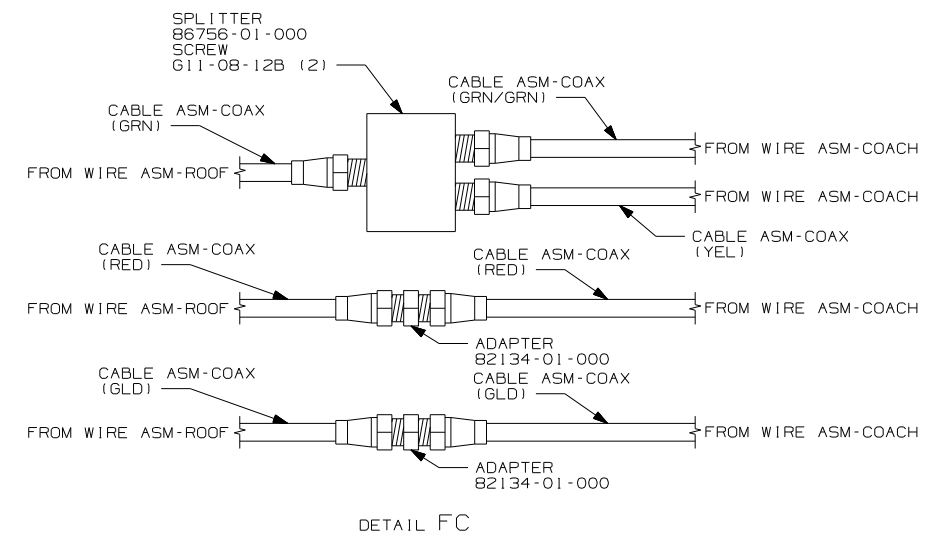
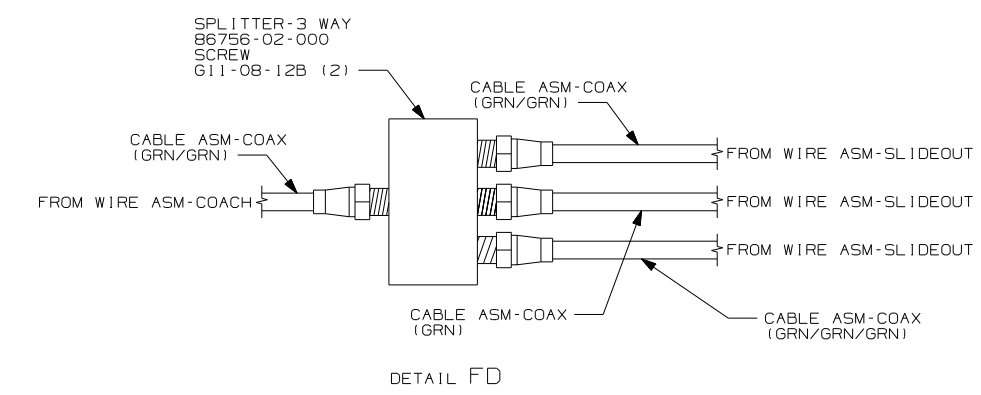
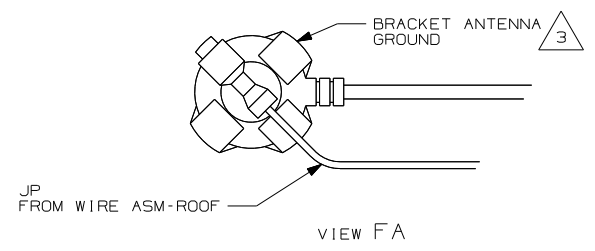
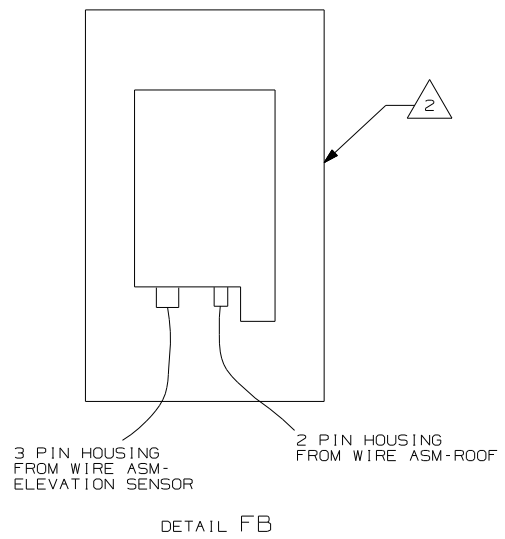
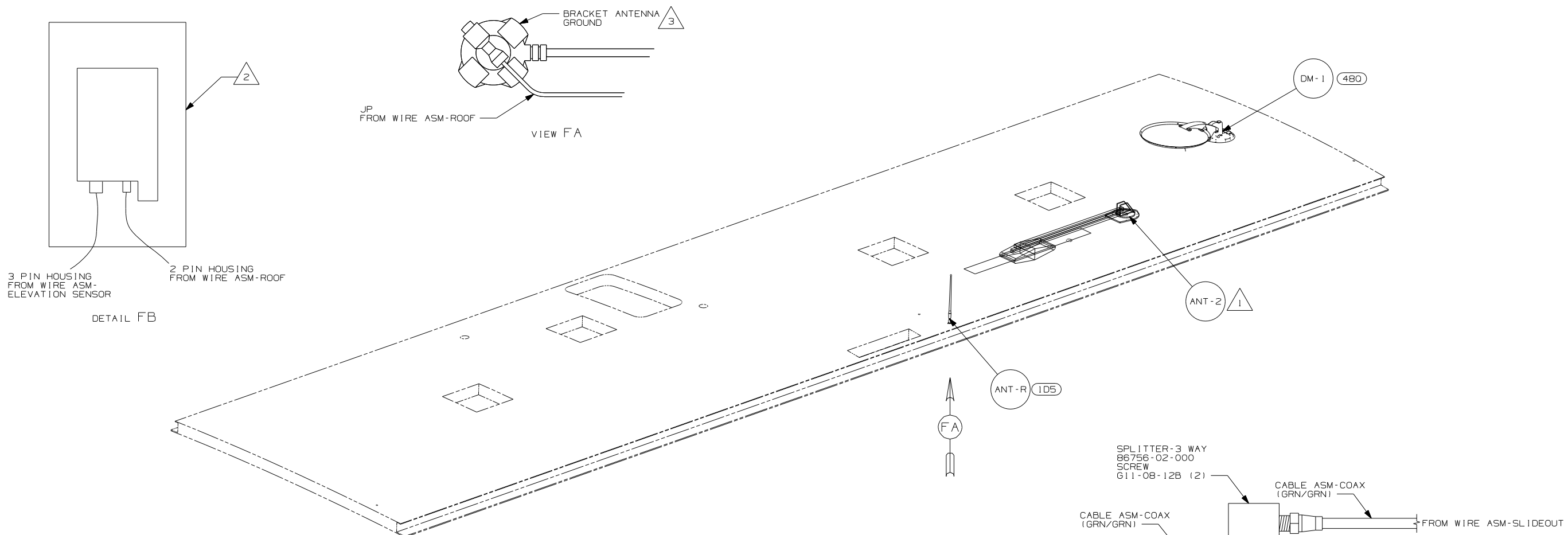


- (1JM) HOME THEATER SOUND SYSTEM
- (265) CODES/STANDARDS-CSA/CMVSS
- (1B1) CODES/STANDARDS USA

FIRST USED	07 D35J
DO NOT SCALE DRAWING	
TITLE:	WIRING INSTL-BODY, 12V
SHEET 5	PART NO 159697 REV

FOR ELECTRICAL TORQUE SPECIFICATIONS SEE DWG NO. 128783-01-000

(X-X) FOR ELECTRICAL CALLOUTS SEE DWG NO. 121339-01-000



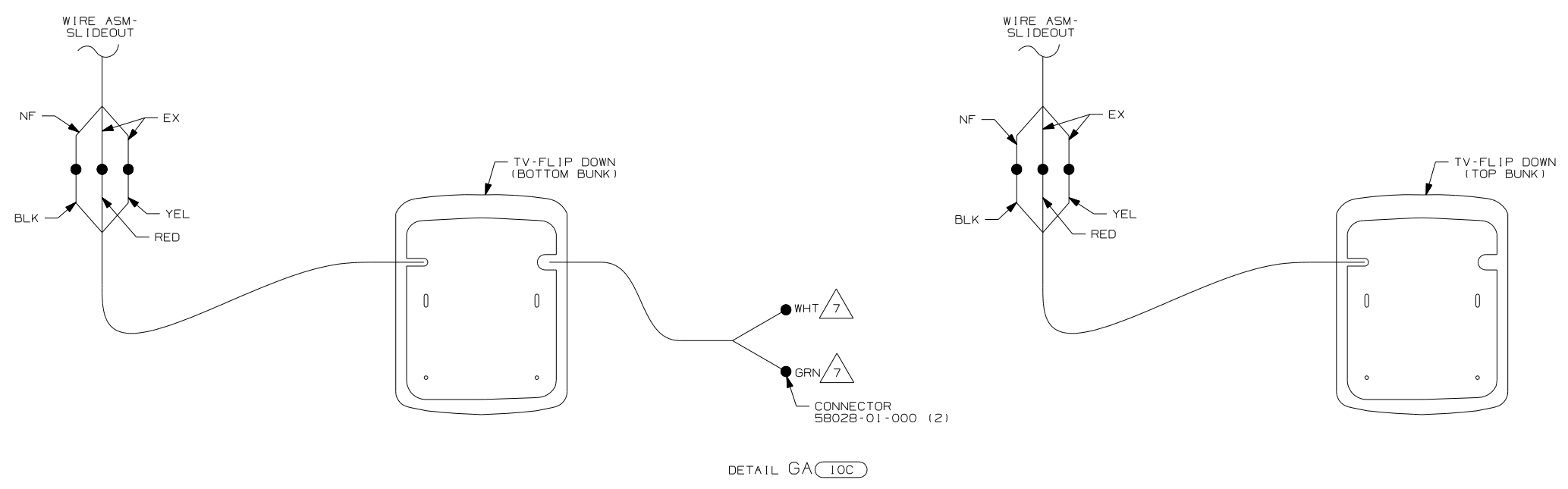
- NOTES:
- 3 WRAP LEGS AROUND ANTENNA BASE.
 - 2 SENSOR SUPPLIED WITH SATELLITE ASSEMBLY.
 - 1 SEE DWG 76319-01-000 FOR INSTALLATION INSTRUCTIONS.

- 480 SATELLITE DISH & ELEV.SENSOR
- 1D5 ENTERTAINMENT CENTR/EXT W/CD
- 265 CODES/STANDARDS-CSA/CMVSS
- 1B1 CODES/STANDARDS USA

FOR ELECTRICAL TORQUE SPECIFICATIONS SEE DWG NO. 128783-01-000

FOR ELECTRICAL CALLOUTS SEE DWG NO. 121339-01-000

FIRST USED	07 D35J	
DO NOT SCALE DRAWING		
TITLE:	WIRING INSTL-BODY, 12V	
SHEET 6	PART NO	159697
REV 1 3/2/2007		

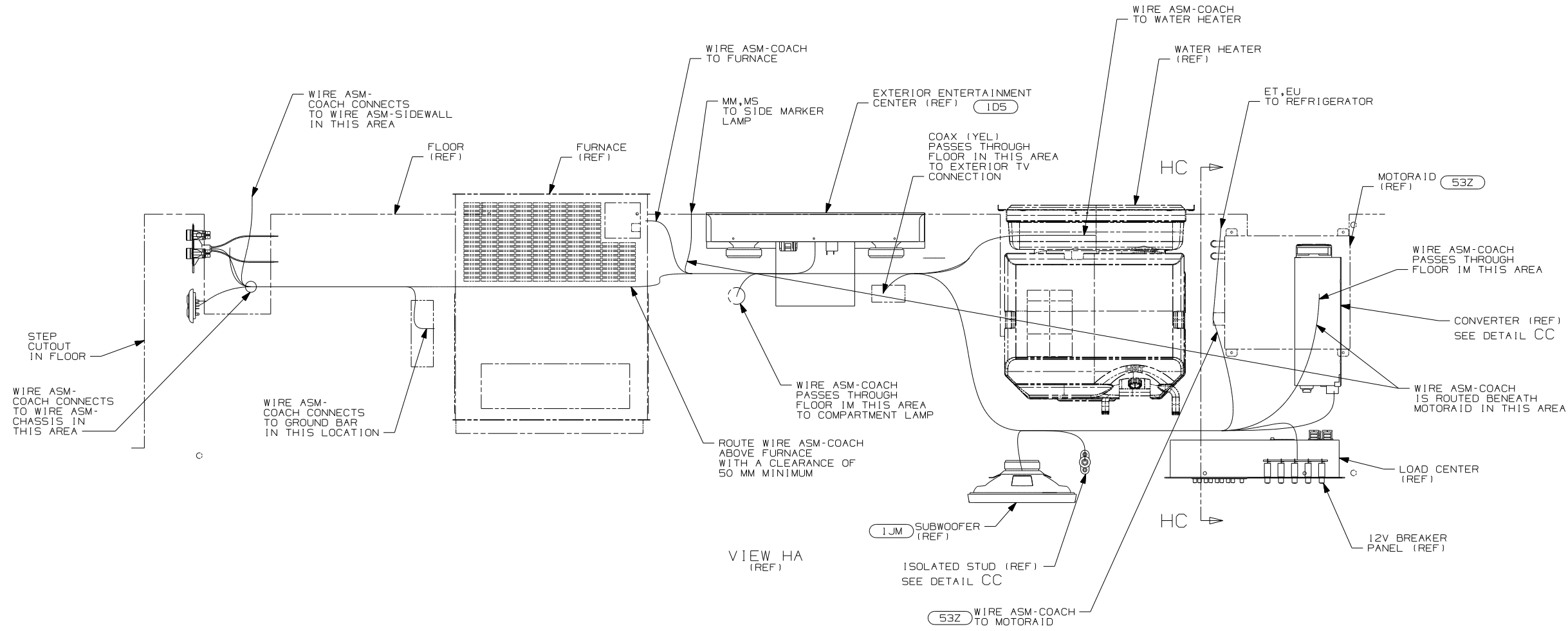


- NOTES:
- 7 NO CONNCTION NEEDED. USE CONNECTOR TO TERMINATE WIRES.
 - 6 SUPPLIED WITH FLIP DOWN TV.
 - 5 REMOVE SHIPPING RESTRAINT SCREWS FROM DVD PLAYER.
 - 4 SUPPLIED WITH DVD PLAYER.
 - 3 REMOTE IR RECEIVER SUPPLIED WITH DVD PLAYER, TO BE MOUNTED IN BOTTOM BUNK.
 - 2 RCA A/V CABLE SUPPLIED WITH DVD PLAYER.
 - 1 COAX IS PART OF WIRE ASM-SLIDEOUT.

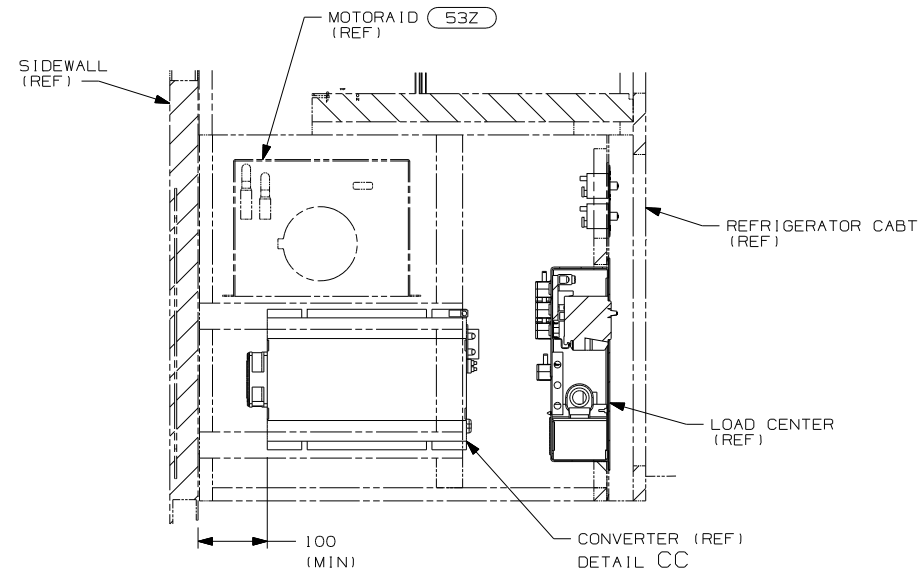
- IOC DVD PLAYER W/7" MONITOR
- 265 CODES/STANDARDS-CSA/CMVSS
- 1B1 CODES/STANDARDS USA

FIRST USED	07 D35J
TITLE	DO NOT SCALE DRAWING
TITLE	WIRING INSTL-BODY, 12V
SHEET 7	PART NO 159697 REV

FOR ELECTRICAL CALLOUTS SEE DWG NO. 121339-01-000



VIEW HA (REF)



SECTION HC-HC (REF)

- (53Z) WTR HTR-6GAL/110/LP/MTR/AUTO
- (1JM) HOME THEATER SOUND SYSTEM
- (105) ENTERTAINMENT CENTR/EXT W/CD
- (265) CODES/STANDARDS-CSA/CMVSS
- (1B1) CODES/STANDARDS USA

(1B1) (265)

FIRST USED 07 D35J

DO NOT SCALE DRAWING

TITLE: WIRING INSTL-BODY, 12V

SHEET 8 PART NO 159697 REV

FOR ELECTRICAL TORQUE SPECIFICATIONS SEE DWG NO. 128783-01-000

(X-X) FOR ELECTRICAL CALLOUTS SEE DWG NO. 121339-01-000

- NOTES:
- ALL WIRES TO BE SECURED WITH CLAMP 10495 OR 10497 OR WIRE TIE 8343 OR 104046 EVERY 600MM, USE SCREW G64-XX-XXX OR G56-XX-XXX AS APPROPRIATE FOR INSTALLATION.