

- 7 VALVE TERMINATION TEE TO BE POSITIONED AT 10° DOWN AND OUTBOARD.
- 6 VENT PIPE MUST PROJECT 51 MIN AND 64 MAX ABOVE ROOF FOR PROPER FIT AND FUNCTION.
- 5. SEAL AROUND SHOWER WITH SILICONE.
- 4. ALL EXTERIOR OPENINGS AROUND PIPE TO BE SEALED WITH 131264-03-000.
- 3. ALL PIPE AND FITTINGS TO BE ASSEMBLED WITH SOLVENT 4020-01-000 (USA) 4020-02-000 (CAN).
- 2. SLOPE OF TRAP ARM MUST BE 6 PER 305 mm.
- 1. SLOPE OF HORIZONTAL PIPING TO BE MIN 3 PER 305 mm.

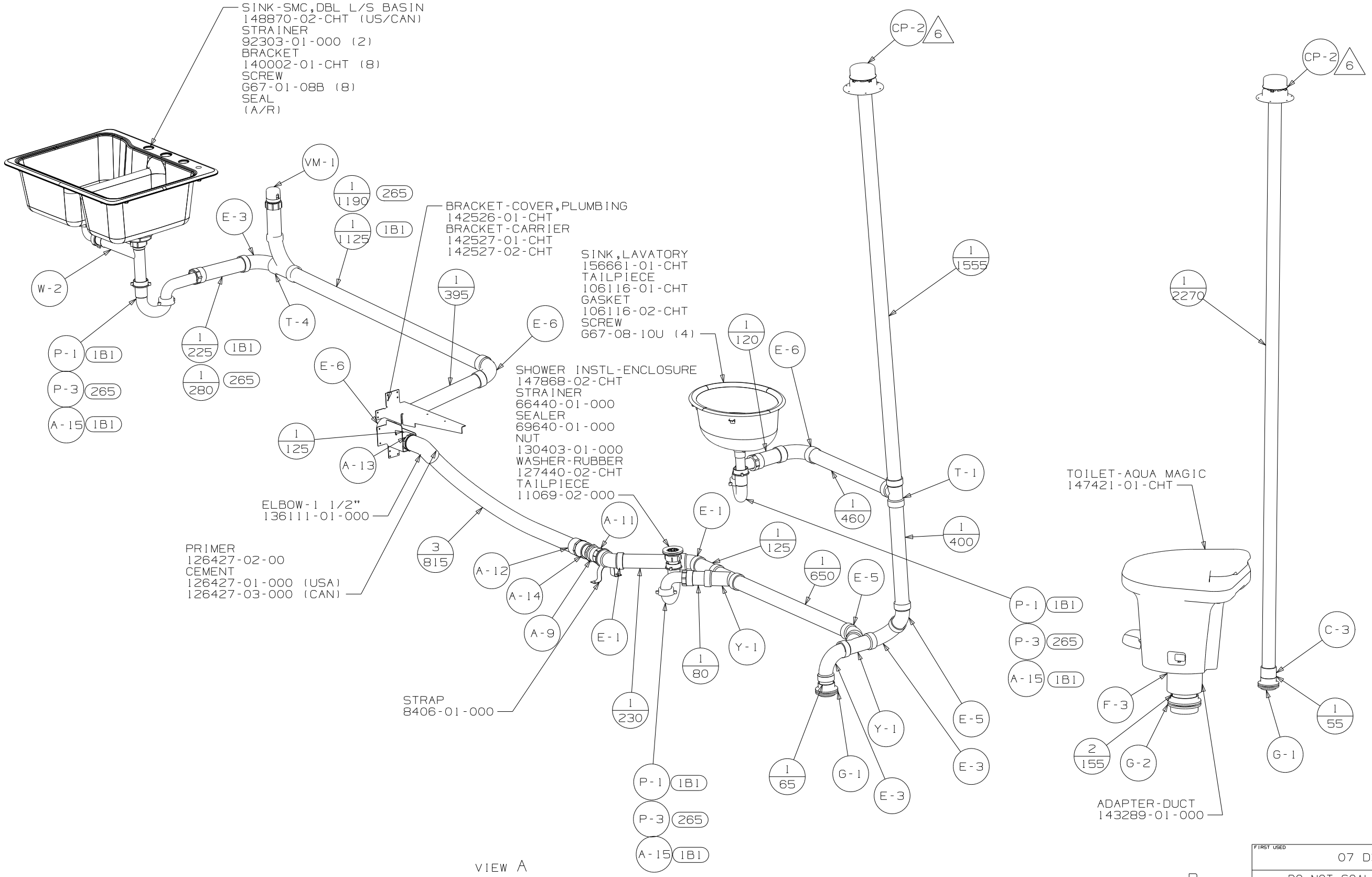
NOTES:

FRONT
OF
COACH

(B1) CODES/STANDARDS-USA
(265) CODES/STDS-CSA/CMVSS

WINNEBAGO		COPYRIGHT 2006 WINNEBAGO INDUSTRIES, INC.	
D/FR	ORIG. DATE	ALL DIMENSIONS ARE IN MILLIMETERS	
CHKR		FIRST USED	
P.E.		07 D34A	
M.E.		UNSPECIFIED TOLERANCES ARE:	
DSNR		MATERIAL:	
		WHOLE DIM (X) :	3
		ONE-PLACE (X.X) :	
		TWO-PLACE (X.XX) :	
		ANGLE :	
THIRD ANGLE PROJECTION		DO NOT SCALE DRAWING	
TITLE: DRAINAGE SYSTEM INSTL			
SHEET 1 OF 3	PART NO	159123	REV

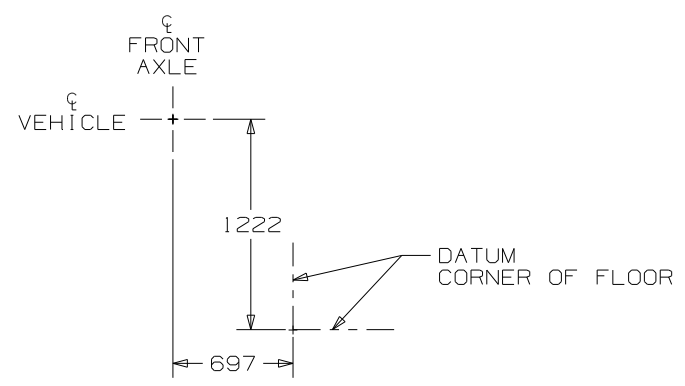
(X-X)
FOR
DRAINAGE
CALLOUTS
SEE DWG NO
116229-01-000



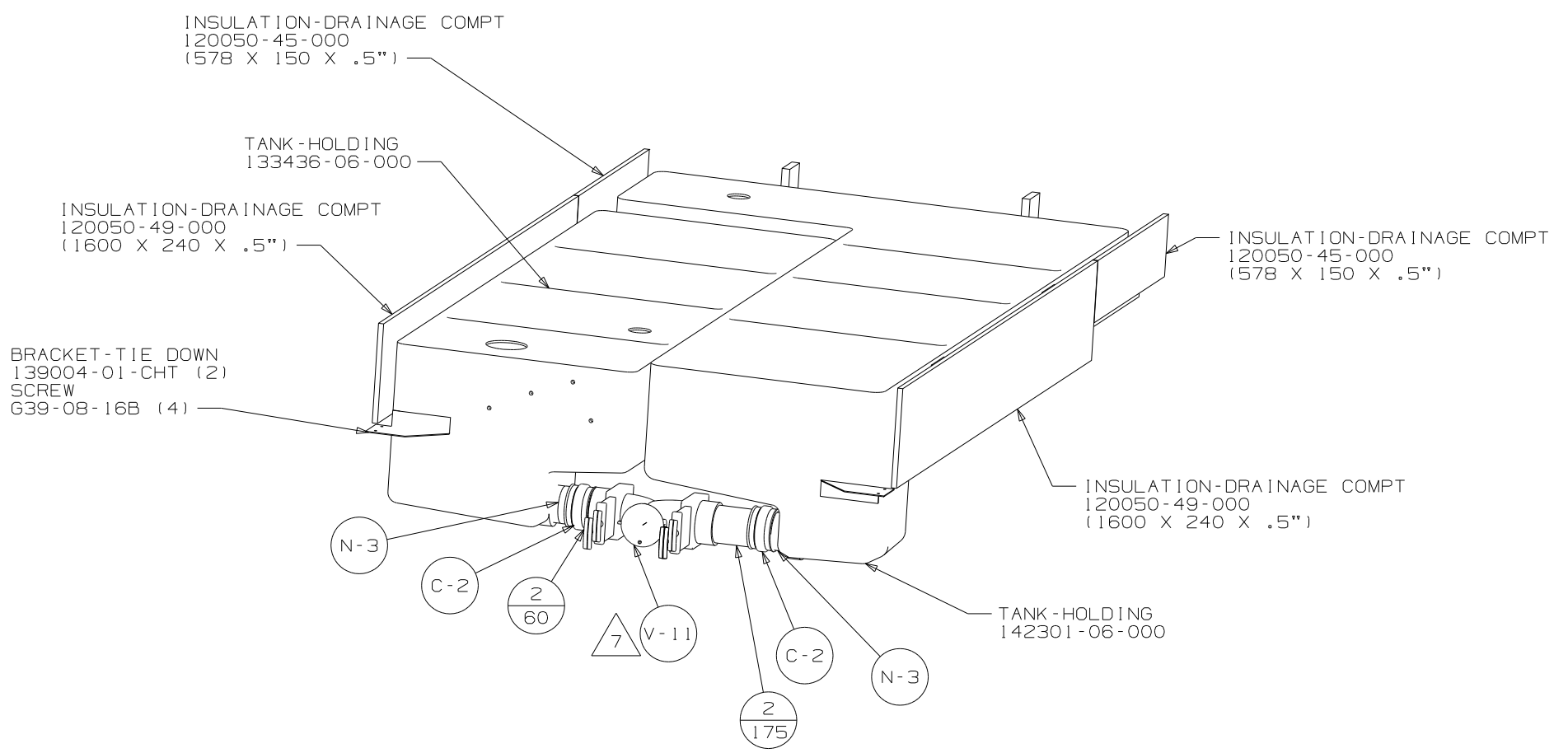
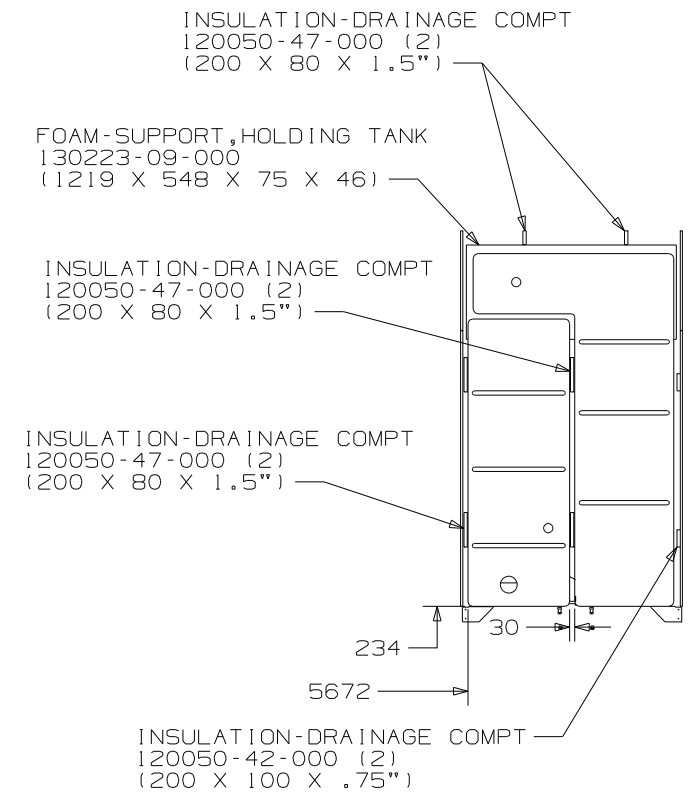
VIEW A

VIEW B

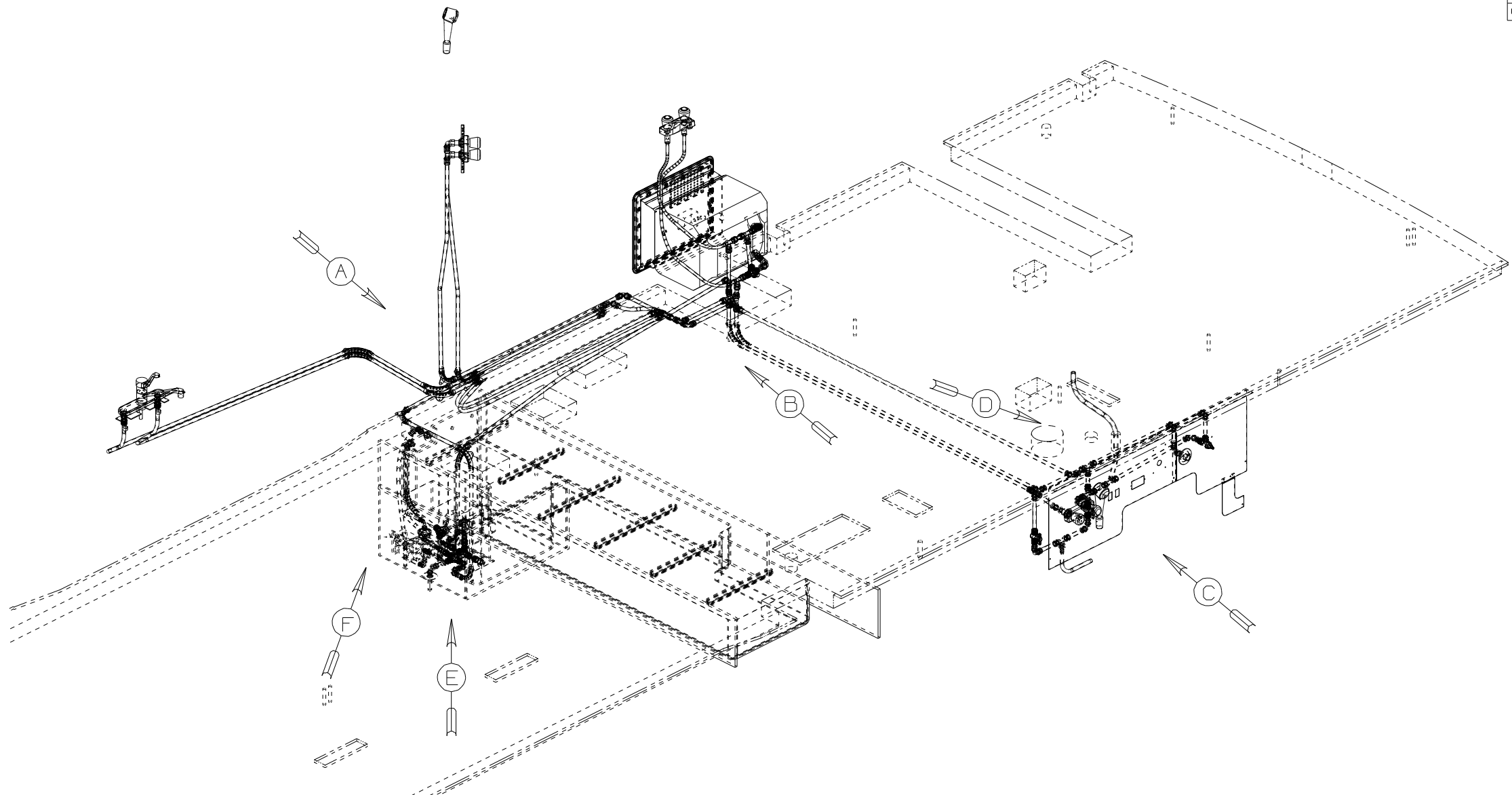
FIRST USED	07 D34A		
TITLE	DO NOT SCALE DRAWING		
	DRAINAGE SYSTEM INSTL		
SHEET 2	PART NO	159123	REV



VIEW C



FIRST USED	07 D34A	
TITLE	DO NOT SCALE DRAWING	
	DRAINAGE SYSTEM INSTL	
SHEET 3	PART NO	159123
	REV	



- 10 ADD PIPE WRAP (LADDER SCRAP 110157-02-000) INSULATION.
 - 9 LABEL HOT AND COLD SUPPLY LINES.
 - 8 TAPE FITTING TO TUBE BEFORE CABINET SET TO PREVENT FITTING FROM MOVING.
 - 7 ADD TEFLON TAPE 10405-01-000.
 - 6 ADD TEFLON TAPE 10405-03-000.
 - 5 ADD TEFLON TAPE 10405-02-000.
 - 4 CLAMPS MUST BE ON BARBS.
3. ALL TUBING TO BE SECURED AT 1200 INTERVALS MAXIMUM WITH CLAMP 10495-01-000 AND SCREW G67-10-12B OR EQUIVALENT.
 2. TUBING TO BE INSTALLED WITH SUFFICIENT SLOPE TO PROVIDE DRAINAGE TO NEAREST VALVE.
 1. PLASTIC FITTINGS TO BE SEALED WITH SEALANT 84456-01-000.

- (53F) WATER HEATER-ELEC IGNITION
- (53Z) WTR HTR-6 GAL/110/LP/MRT/AUTO
- (1J4) W/O EXTERIOR WASH STATION
- (64R) EXTERIOR WASH STATION

NOTES:

(X-X)
FOR
WATER
CALLOUTS
SEE DWG NO
116230-01-000

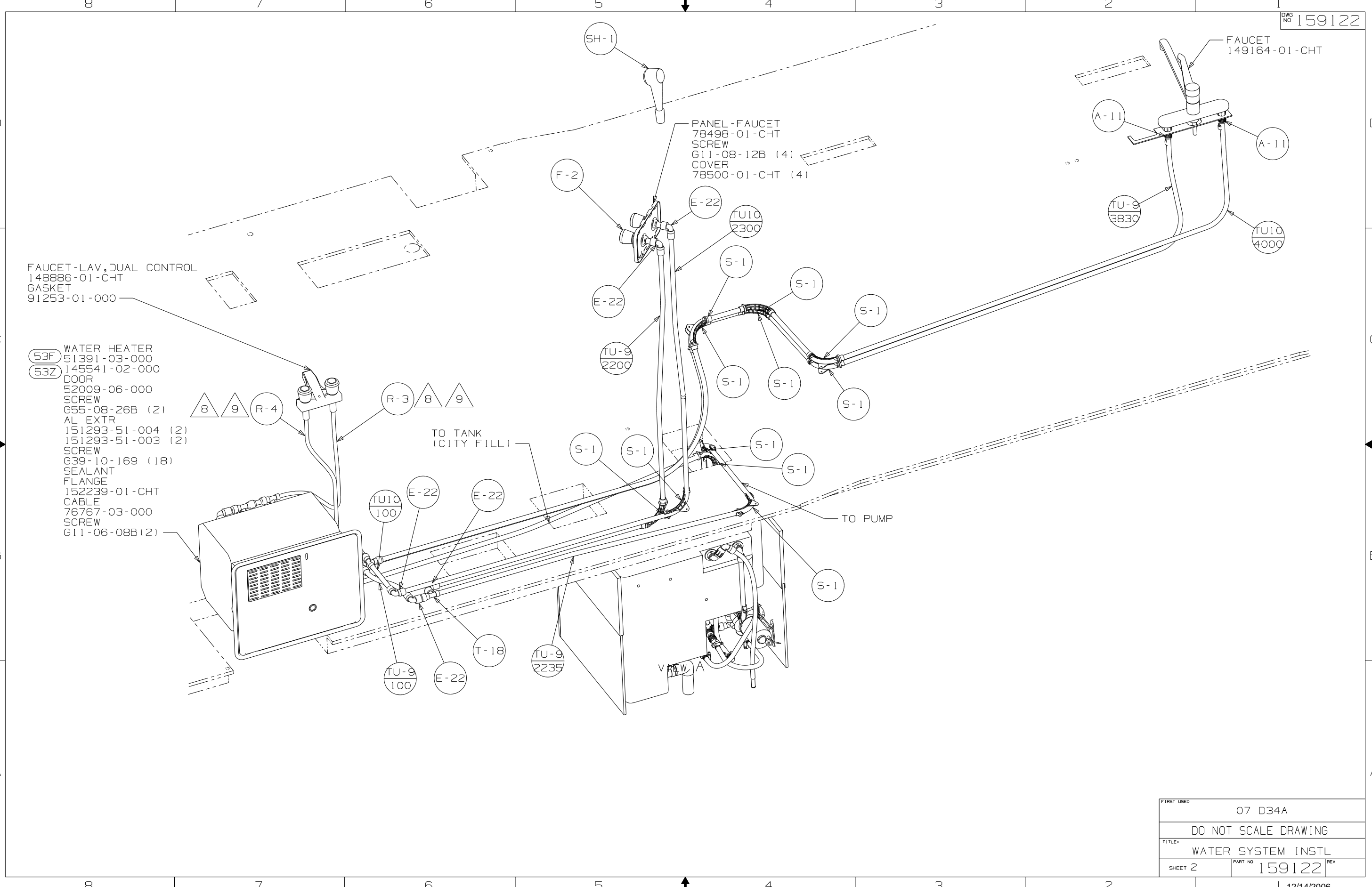
WINNEBAGO		COPYRIGHT 2006 WINNEBAGO INDUSTRIES, INC.	
DFT	ORIG. DATE	ALL DIMENSIONS ARE IN MILLIMETERS	
CHKR		FIRST USED	
P.E.		07 D34A	
M.E.		UNSPECIFIED TOLERANCES ARE:	
DSNR		MATERIAL:	
		WHOLE DIM (X) :	3
		ONE-PLACE (X.X) :	
		TWO-PLACE (X.XX) :	
		ANGLE :	
THIRD ANGLE PROJECTION		DO NOT SCALE DRAWING	
TITLE: WATER SYSTEM INSTL			
SHEET 1 OF 4	PART NO	159122	REV

FAUCET-LAV, DUAL CONTROL
148886-01-CHT
GASKET
91253-01-000

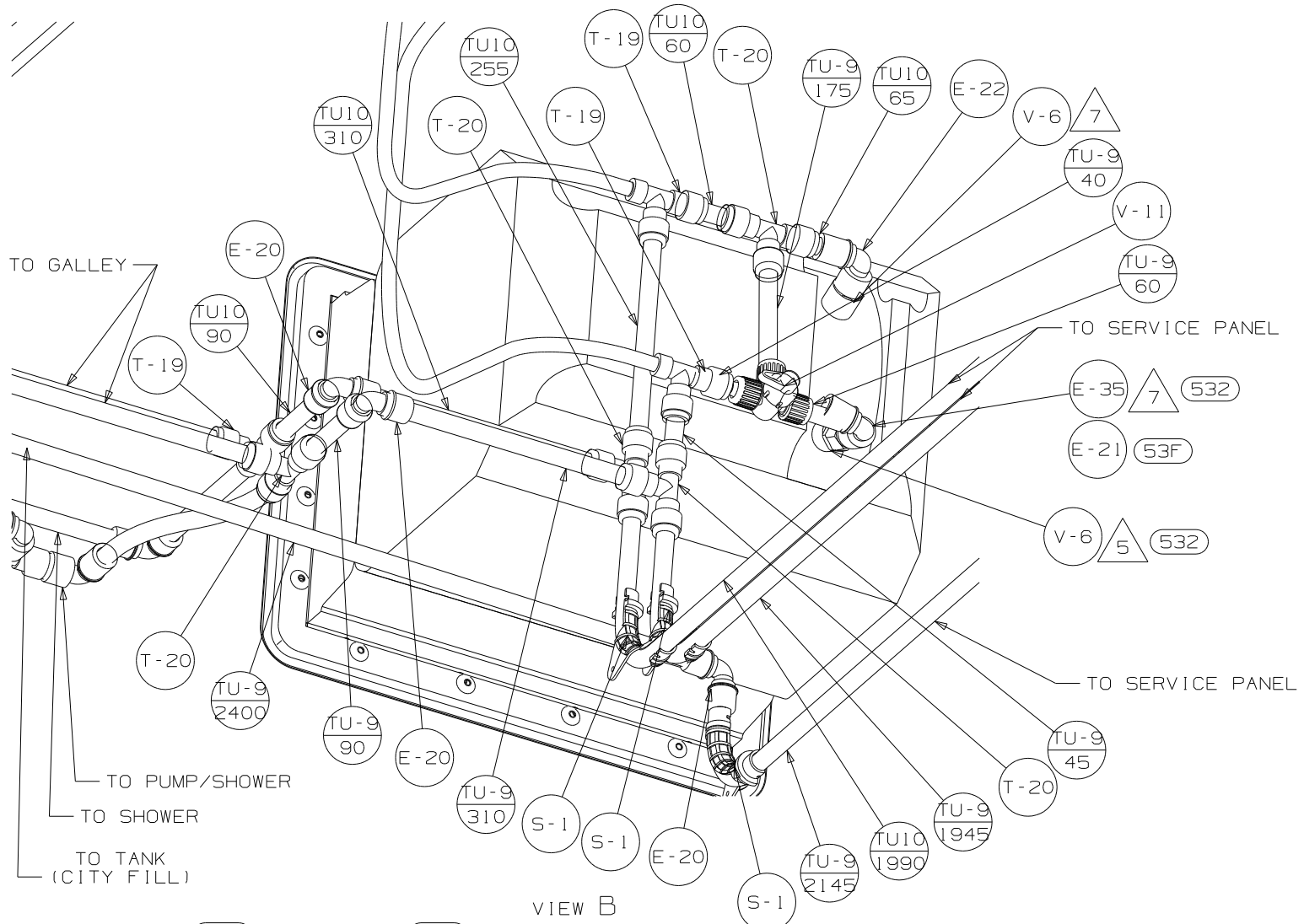
53F WATER HEATER
51391-03-000
53Z DOOR
145541-02-000
52009-06-000
SCREW
G55-08-26B (2)
AL EXTR
151293-51-004 (2)
151293-51-003 (2)
SCREW
G39-10-169 (18)
SEALANT
FLANGE
152239-01-CHT
CABLE
76767-03-000
SCREW
G11-06-08B (2)

PANEL-FAUCET
78498-01-CHT
SCREW
G11-08-12B (4)
COVER
78500-01-CHT (4)

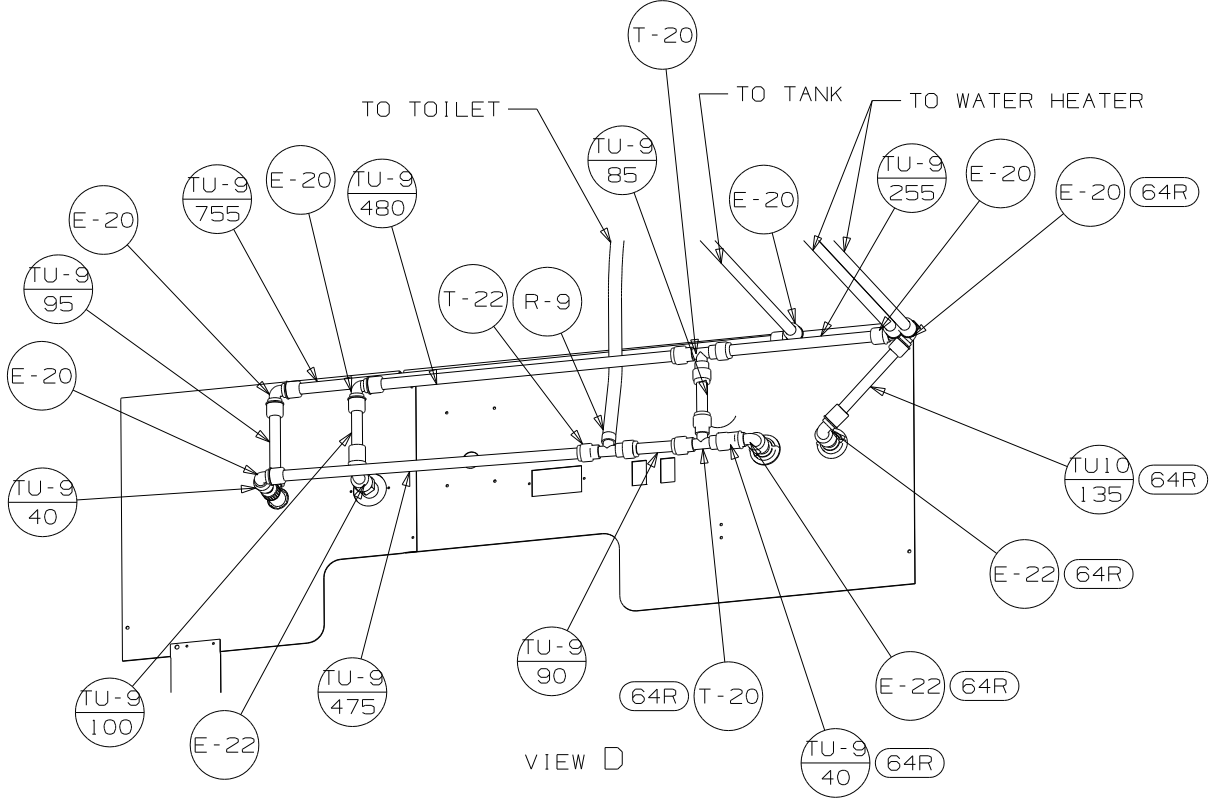
FAUCET
149164-01-CHT



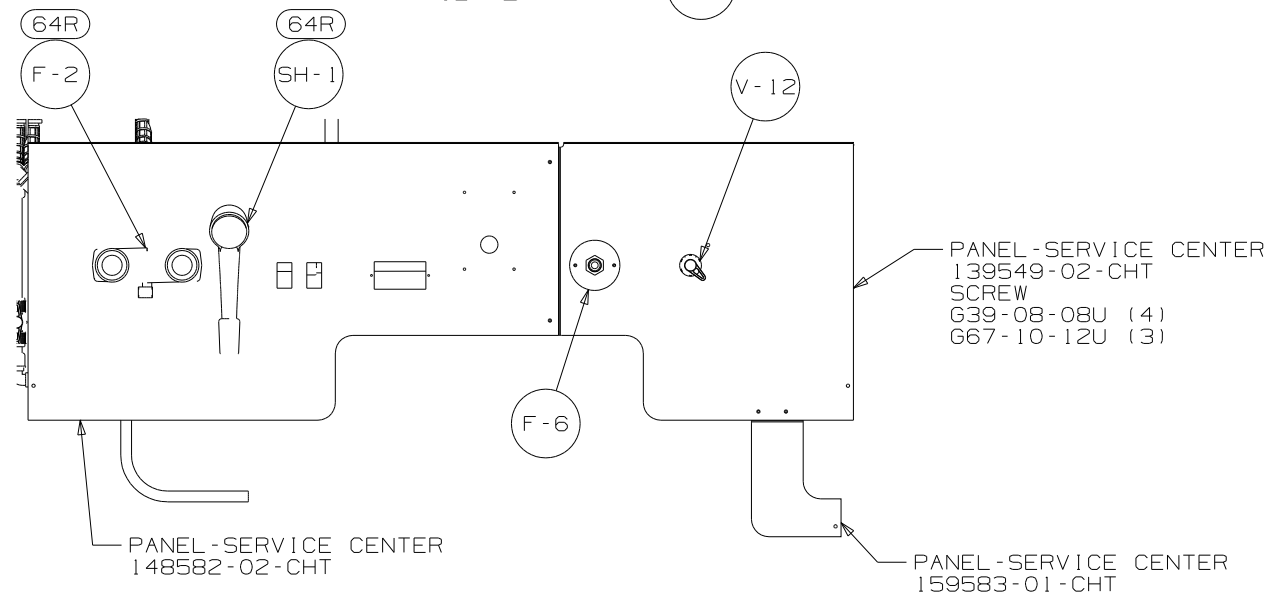
FIRST USED	07 D34A		
TITLE	DO NOT SCALE DRAWING		
	WATER SYSTEM INSTL		
SHEET 2	PART NO	159122	REV



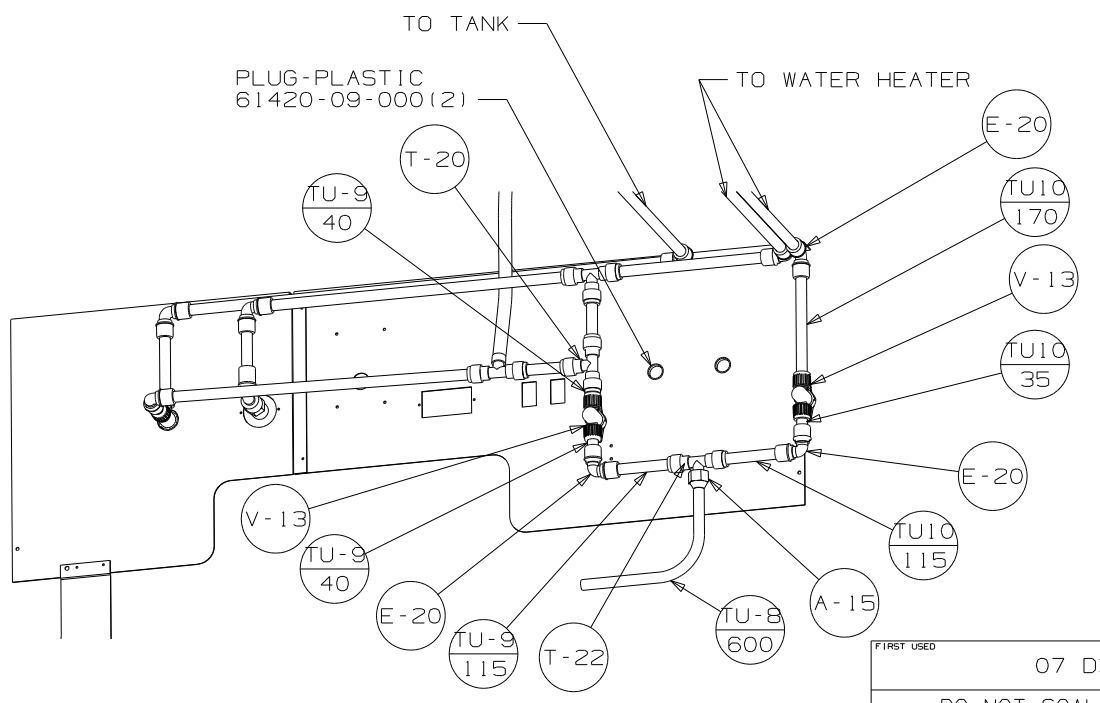
VIEW B



VIEW D



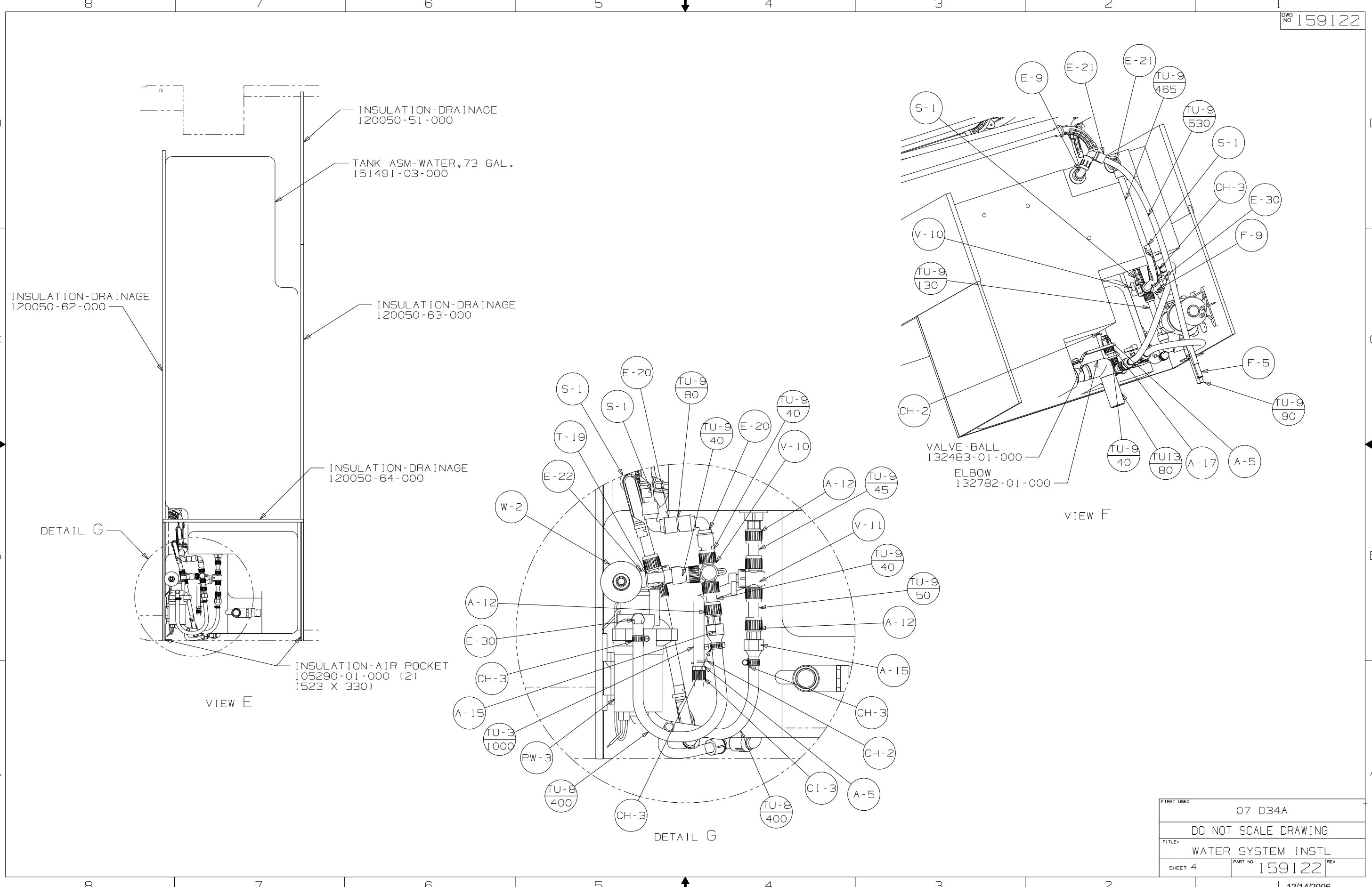
VIEW C



VIEW D

(1J4)

FIRST USED	07 D34A
TITLE	DO NOT SCALE DRAWING
SHEET 3	159122
PART NO	159122
REV	



INSULATION-DRAINAGE
120050-51-000

TANK ASM-WATER, 73 GAL.
151491-03-000

INSULATION-DRAINAGE
120050-62-000

INSULATION-DRAINAGE
120050-63-000

INSULATION-DRAINAGE
120050-64-000

INSULATION-AIR POCKET
105290-01-000 (2)
(523 X 330)

VIEW E

DETAIL G

DETAIL G

VIEW F

FIRST USED	07 D34A		
TITLE	DO NOT SCALE DRAWING		
TITLE	WATER SYSTEM INSTL		
SHEET 4	PART NO	159122	REV