

# Table of Contents

## 2007 Sightseer/Sunova D34A Wiring Diagram Book

110 Volt Load Center/Auto Transfer Switch  
Antenna Installation, Radio and CB  
Auto Lamps Wiring Diagram  
Automotive Wiring Diagram  
Backup Monitor Installation  
Battery Installation  
Body, 110 Volt Wiring Diagram  
Body, 110 Volt Wiring Installation  
Body, 12 Volt Wiring Diagram  
Body, 12 Volt Wiring Installation  
Chassis Electrical Box Assembly  
Chassis Wiring Installation  
Dash Radio Installation  
Exterior Lamps Wiring Installation  
Front End Wiring Installation  
Holding Tank Monitor Panel  
Holding Tanks Wiring Diagram  
TV Coax Wiring Diagram  
TV/DVD, Front Wiring Installation

Complete Wiring Diagram Book (701674-76-022)





**DANGER**

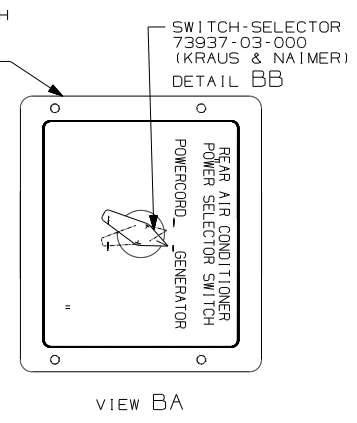
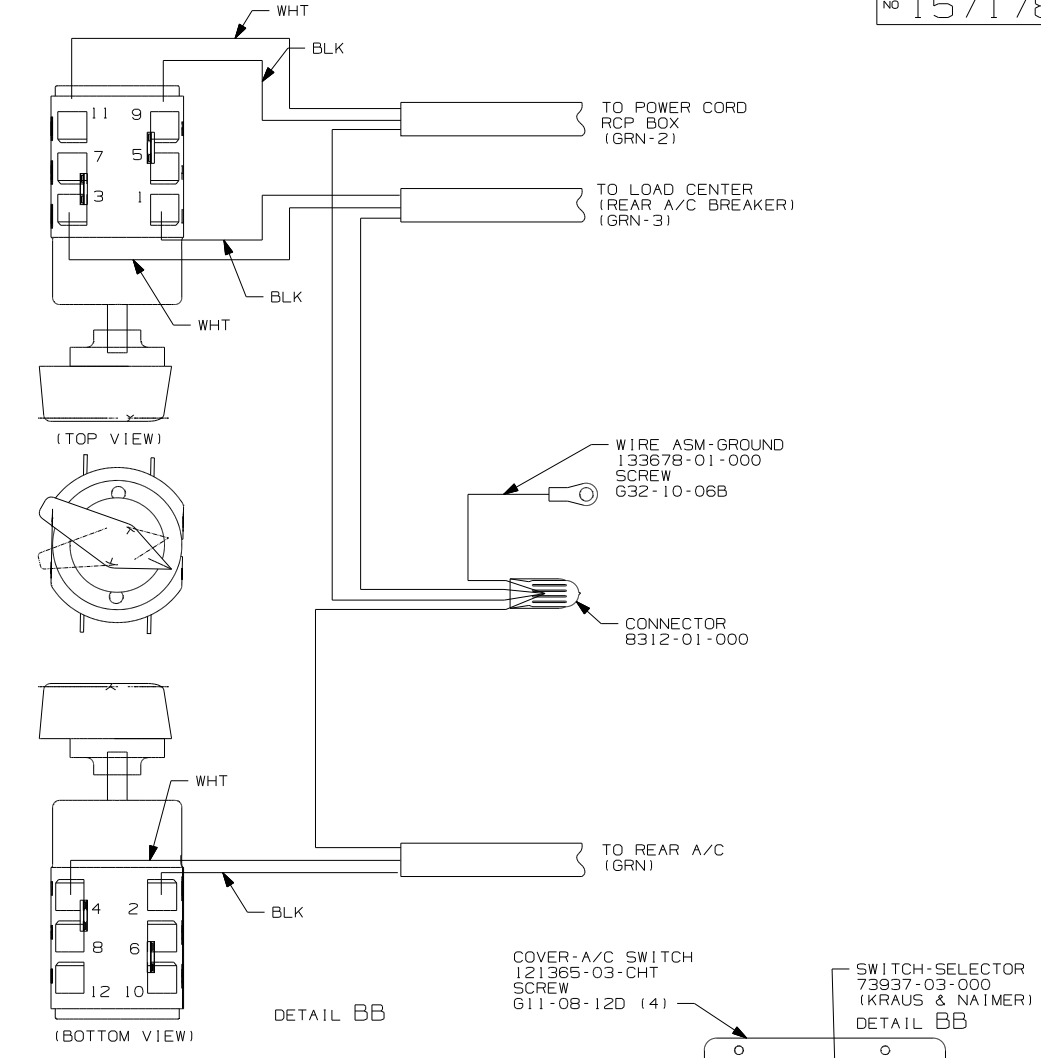
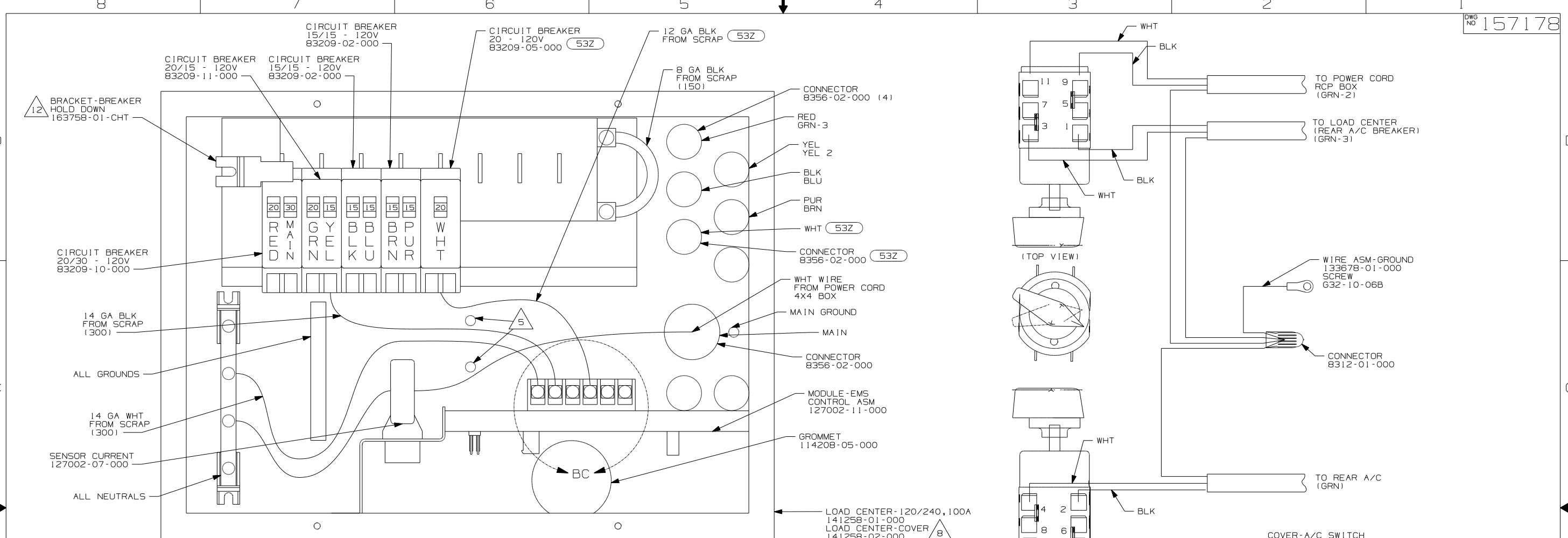
**Danger of electrical shock, burns or death.** Always remove all power sources before attempting any repair, service or diagnostic work. Power can be present from shore power, generator, inverter or battery. All power sources must be disabled and secured before performing any service.



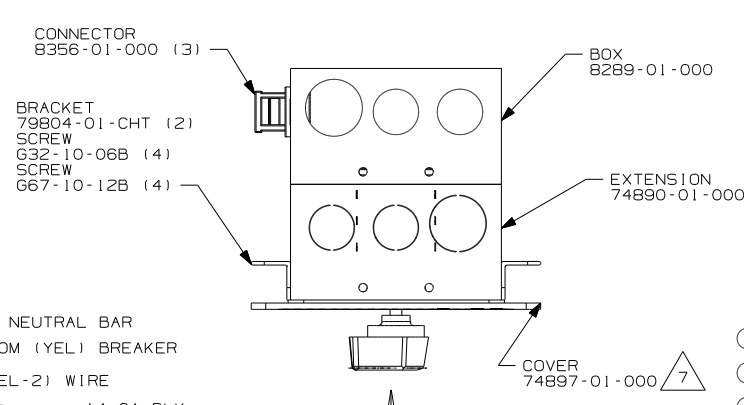
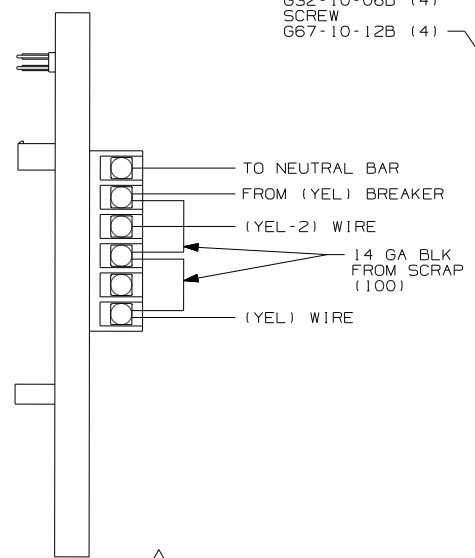
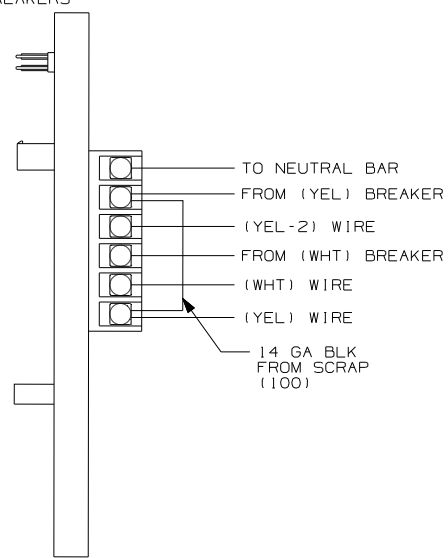
**CAUTION**

If you lack the skills, tools or equipment to perform diagnostic or repair work leave such work to an authorized Winnebago Industries dealer or other qualified shop.





INSTALL LABEL ON FRONT COVER PLATE BELOW THE BREAKERS



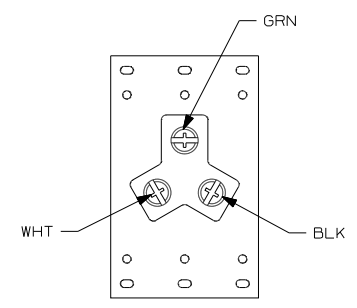
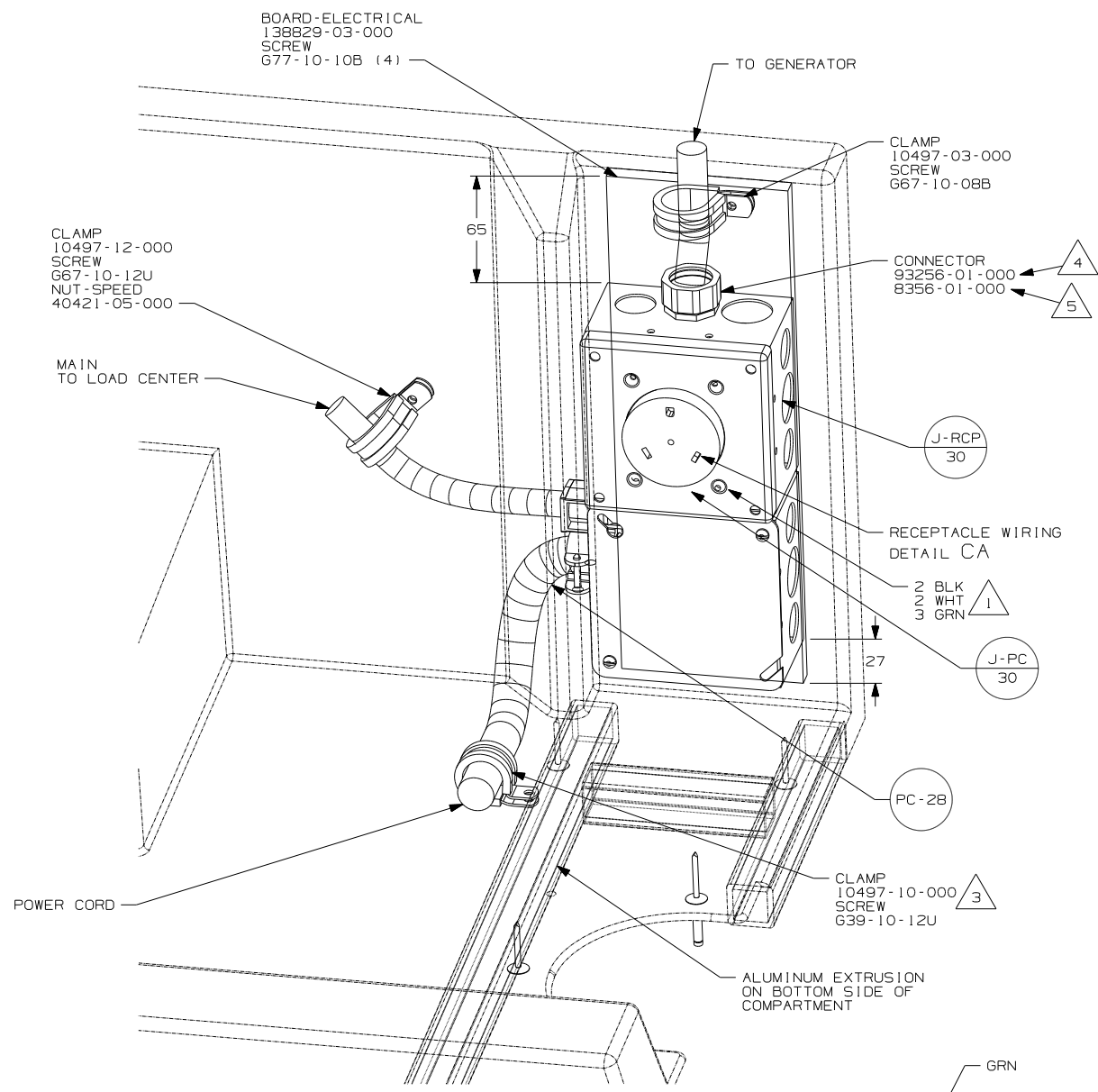
REAR A/C SELECTOR SWITCH  
FOR ELECTRICAL TORQUE SPECIFICATIONS SEE DWG NO. 128783-01-000  
X-X FOR ELECTRICAL CALLOUTS SEE DWG NO. 121339-01-000

- 11 LOOSEN LEFT BUSS BAR MOUNTING SCREW, INSERT BRACKET-BREAKER HOLD DOWN UNDER SCREW, ORIENTATE BRACKET TOWARD MAIN BREAKER AS SHOWN AND TIGHTEN SCREW.
- 10 BLACKEN OUT 'WASHER DRYER' WITH BLANK MARKER.
- 9 WITHOUT 53Z
- 8 INSTALLED BY ASSEMBLY LINE.
- 7 FASTEN SWITCH TO COVER BEFORE FASTENING COVER TO BOX.
- 6. REMOVE 400MM FROM OUTER JACKET ON ALL WIRES ENTERING LOAD CENTER AND TRIM INDIVIDUAL CONDUCTORS AS REQUIRED TO MAKE INTERNAL CONNECTIONS
- 5 ATTACH WIRES TO BACKSIDE OF LOAD CENTER, USE EXISTING HOLES AND TIE-WIRE 116673-01-000.
- 4. ALL 110V STRANDED WIRE W/O TERMINALS TO BE STRIPPED 10MM AND SOLDER DIPPED.
- 3. ALL WIRES TO BE CLAMPED WITHIN 200MM OF ATS.
- 2. GROUND WIRES ARE NOT SHOWN FOR CLARITY.
- 1. ALL GROUND WIRES TO BE COVERED WITH TUBING 8041-02-000.

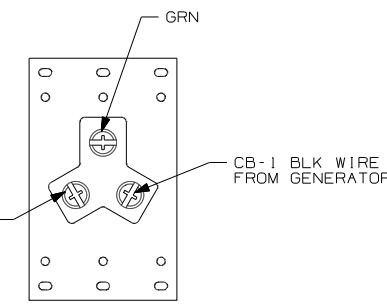
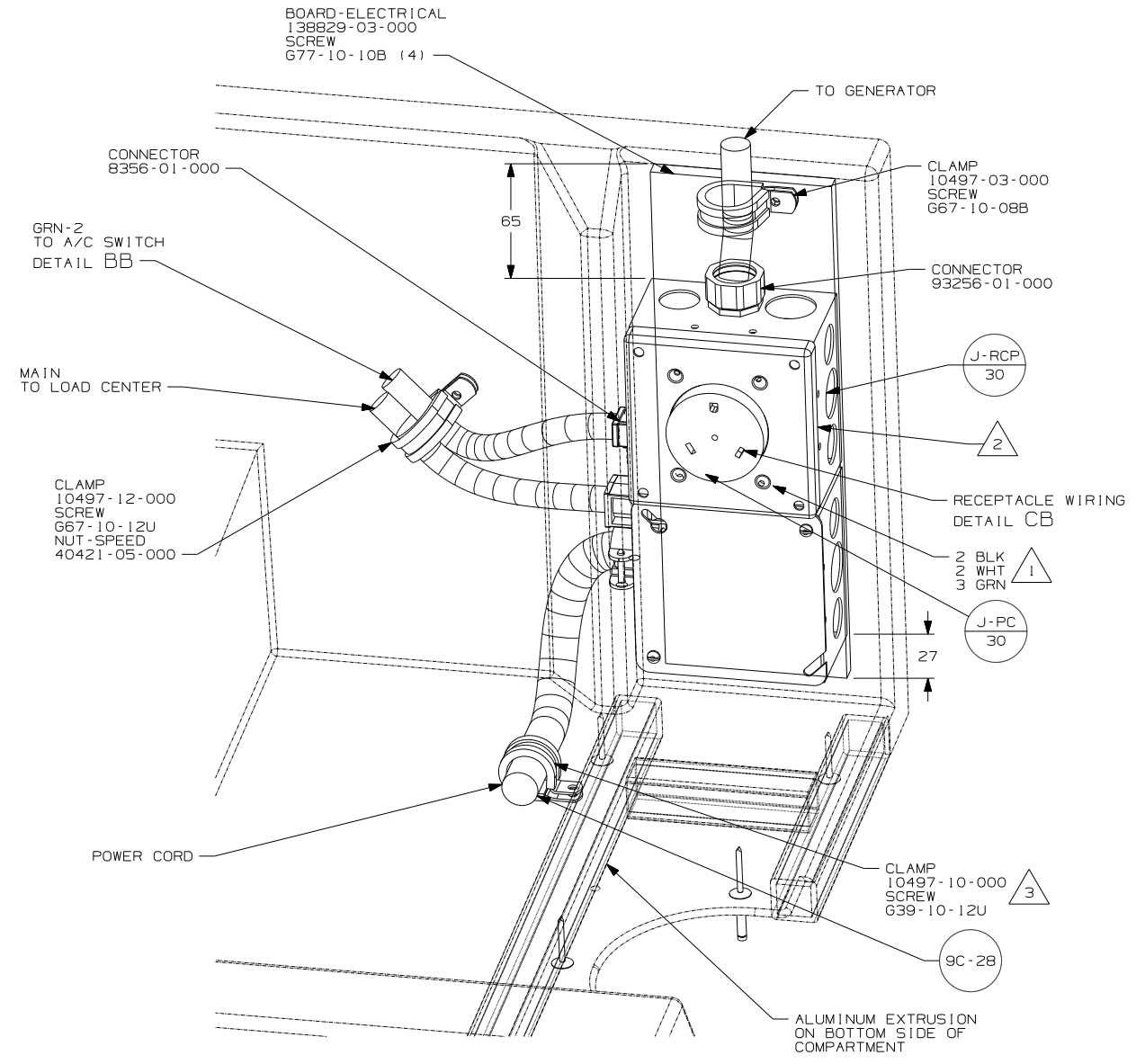
- 29R AC HEAT PUMP-2 HI EFFICIENCY
- 53Z WTR HTR-6GAL/110/LP/MTR/AUTO
- 276 A/C ROOF - HI EFF (2) W/EMS
- 265 CODES/STANDARDS - CSA/CMVSS
- 1B1 CODES/STANDARDS - USA
- 12D ELECTRICAL SYSTEM-30 AMP

FIRST USED	
07 D-SERIES	
DO NOT SCALE DRAWING	
TITLE: LOAD CENTER/ATS ASM	
SHEET 2	PART NO 157178





DETAIL CA (BACK VIEW)



DETAIL CB (BACK VIEW)

- NOTES:
- 5 USED ON D29R ONLY.
  - 4 USED ON D26P & D30B ONLY.
  - 3 SCREW CLAMP ON TO THE FLOOR OF COMPARTMENT INTO THE ALUMINUM EXTRUSION ON BOTTOM SIDE OF COMPARTMENT.
  - 2 CONNECT CB-2 BLACK WIRE FROM GENERATOR TO BLACK OF GRN-2 WITH CONNECTOR 8311-01-000 AND WHITES TO WHITES AND GROUNDS TO GROUNDS.
  - 1 CONNECT BLACK TO BLACK, WHITE TO WHITE, AND GROUNDS TO GROUNDS.

250 290

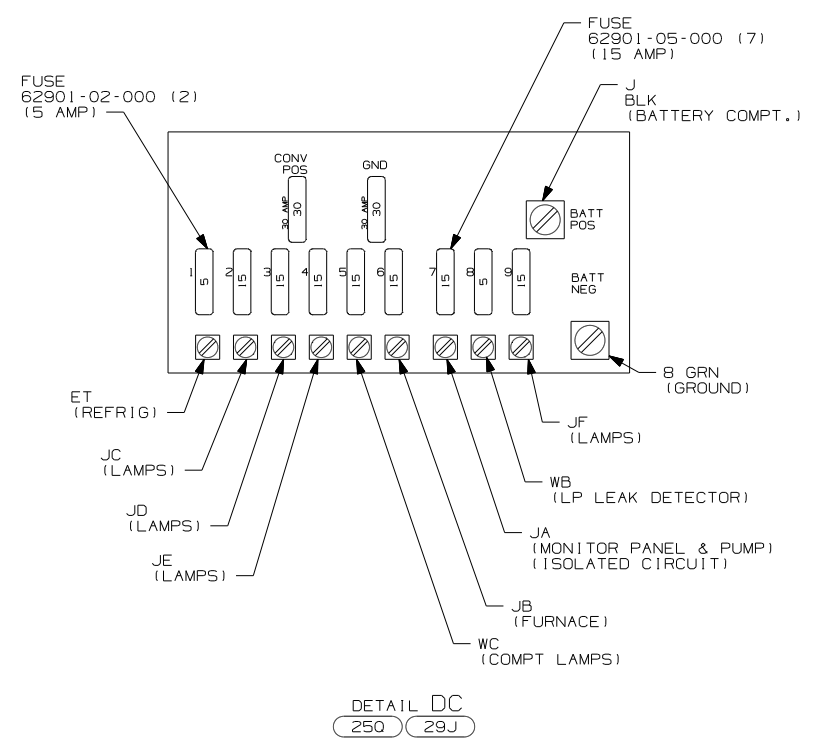
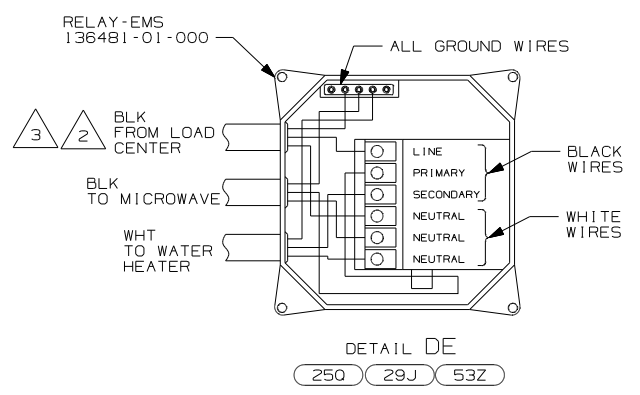
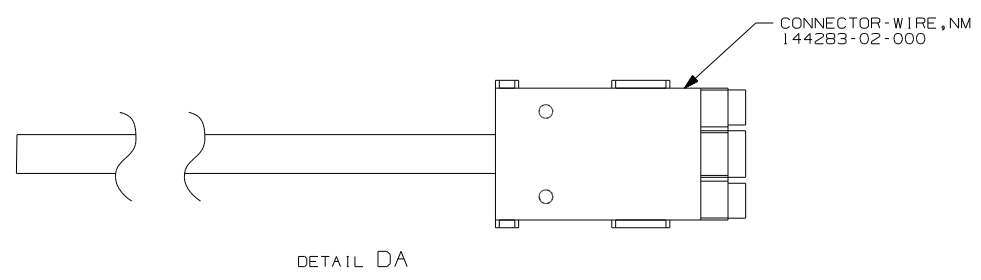
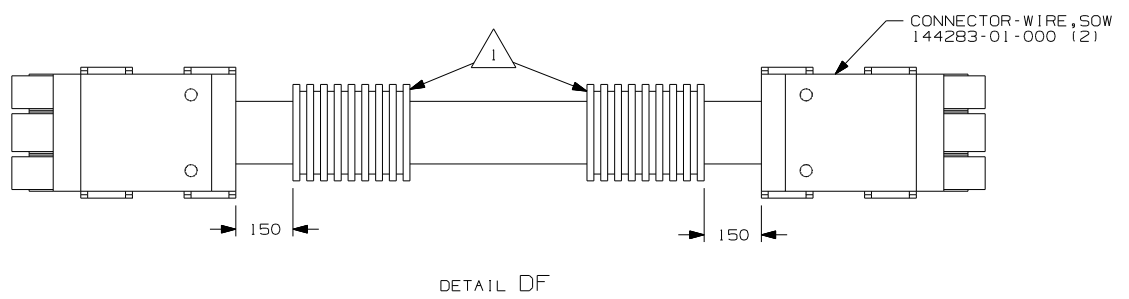
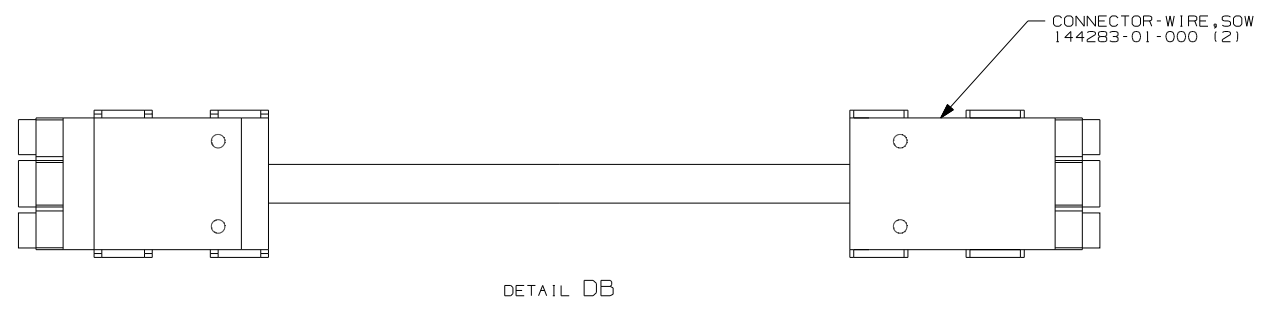
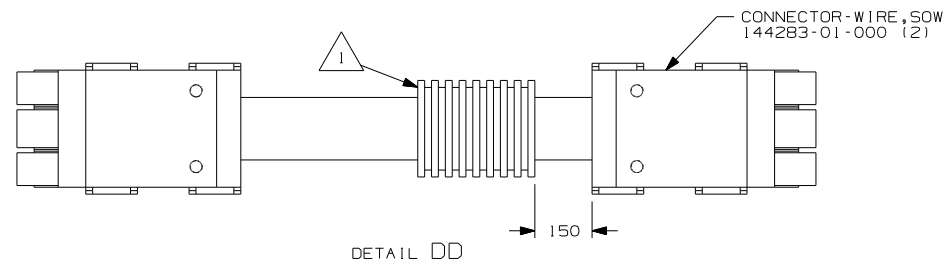
276

FOR ELECTRICAL TORQUE SPECIFICATIONS SEE DWG NO. 128783-01-000

X-X FOR ELECTRICAL CALLOUTS SEE DWG NO. 121339-01-000

- 290 A/C ROOF-ONE 13,500 BTU
- 250 A/C ROOF AIR (1) 14,800 BTU
- 276 A/C ROOF-HI EFF (2) W/EMS
- 120 ELECTRICAL SYSTEM 30 AMP
- 265 CODES/STANDARDS-CSA/CMVSS
- 1B1 CODES/STANDARDS USA

FIRST USED	
07 D-SERIES	
DO NOT SCALE DRAWING	
TITLE: LOAD CENTER/ATS ASM	
SHEET 3	PART NO 157178 REV



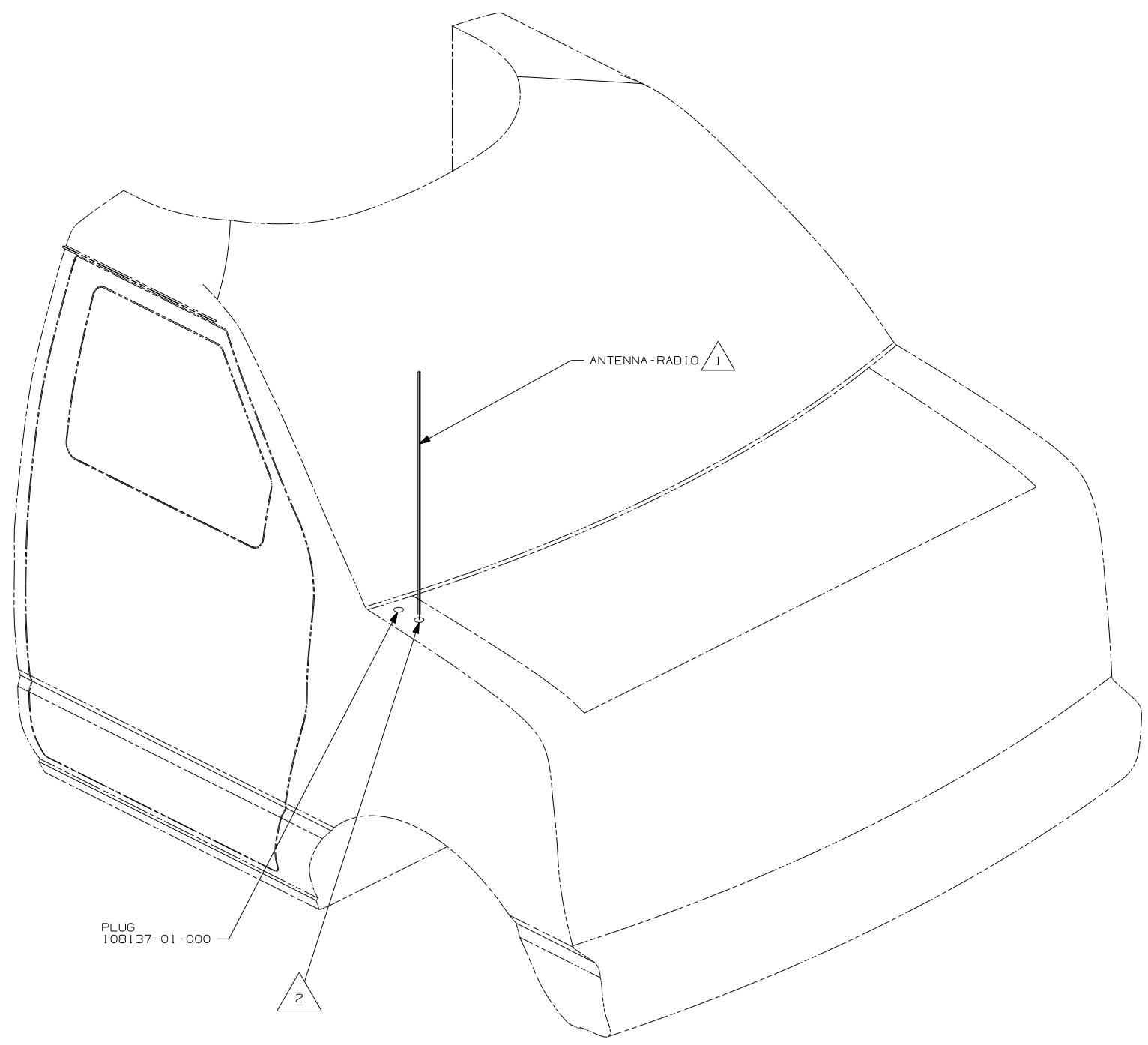
- 53Z WTR HTR-6GAL/110/LP/MTR/AUTO
- 25Q A/C ROOF AIR (1) 14,800 BTU
- 29J AC HEAT PUMP-1

- NOTES:
- 3 ON D26P MEASURE 2500MM FROM THE BACK OF THE LOAD CENTER, LOOP THE BLACK WIRE AND CONNECT AS SHOWN.
  - 2 ON D30B & D29R MEASURE 1200MM FROM THE BACK OF THE LOAD CENTER, LOOP THE BLACK WIRE AND CONNECT AS SHOWN.
  - 1 APPLY 300MM OF CONDUIT-CONVOLUTE 41953-05-000 OVER WIRE AT DIMENSION SHOWN AND SECURE BOTH ENDS OF TUBING TO WIRE WITH TAPE 8363-01-000.

FIRST USED	07 D-SERIES		
TITLE	DO NOT SCALE DRAWING		
	LOAD CENTER/ATS ASM		
SHEET 4	PART NO	157178	REV
			1 5/15/2007

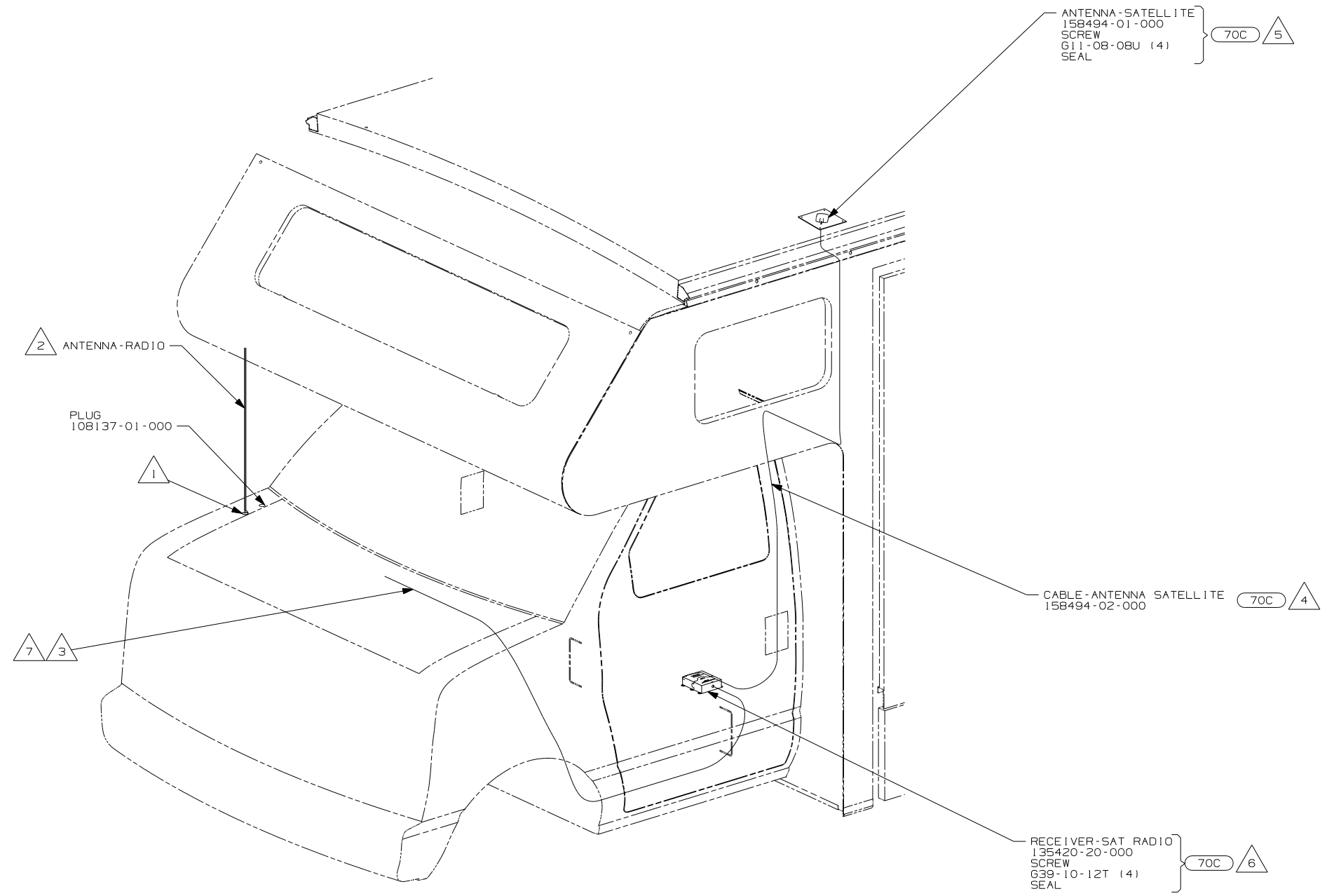
DWG NO	SHEET	SERIES
156329-01	1	200
156329-02	2	300
156329-03	3	500
156329-04	4	700
156329-05	5	D, E, F, G
156329-06	6	P, S, R

RELEASE	REV DATE	DWG NO
A		156329
REV ZONE	REVISION RECORD	DATE



- NOTES:
- 2 SEE CHASSIS-MODIFIED DRAWING FOR HOLE LOCATION AND SIZE.
  - 1 SUPPLIED WITH CHASSIS.

<b>WINNEBAGO</b>		COPYRIGHT 2006 WINNEBAGO INDUSTRIES, INC.	
DFT	ORIG. DATE	ALL DIMENSIONS ARE IN MILLIMETERS	
CHKR		FIRST USED	
P.E.		07 MOTORHOMES	
M.E.			
DSNR			
UNSPECIFIED TOLERANCES ARE:		MATERIAL:	
WHOLE DIM (X)	:		
ONE-PLACE (X.X)	:		
TWO-PLACE (X.XX)	:		
ANGLE	:		
THIRD ANGLE PROJECTION			
DO NOT SCALE DRAWING			
TITLE: ANTENNA INSTL-RADIO AND CB			
SHEET 1 of 6	PART NO	REV	
	156329		
REF:		1 8/16/2006	

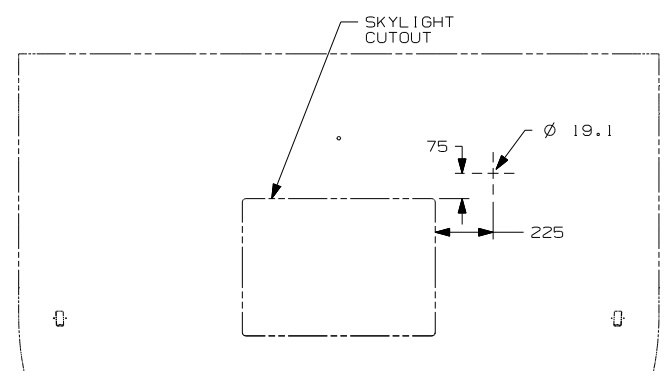


- 7 RECEIVER CABLE SUPPLIED WITH RECEIVER.
- 6 MOUNT RECEIVER TO CAB FLOOR UNDER DRIVERS SEAT NEXT TO FORD MODULE. BE SURE NOT TO SCREW THROUGH ANY WIRES THAT GO TO THE MODULE. SEAL ALL SCREWS.
- 5 MOUNT ANTENNA SUCH THAT BASE IS SQUARE WITH ROOF AND HOLE IS DIRECTLY OVER HOLE IN ROOF. SEAL BOTH THE HOLE IN THE ROOF AND ANTENNA BASE AT SCREWS.
- 4 ON 300-SER ROUTE ANTENNA CABLE FROM UNDER DRIVER'S SEAT UP B-POST, INTO WINGWALL, THROUGH SLEEP BOARD ASM TO ANTENNA HOLE IN ROOF ASM.
- 3 ROUTE RECEIVER CABLE ALONG WITH CHASSIS HARNESS TO BATTERY BOOST SWITCH, CONTINUE RECEIVER CABLE TO DASH RADIO.
- 2 SUPPLIED WITH CHASSIS.
- 1 SEE CHASSIS-MODIFIED DRAWING FOR HOLE LOCATION AND SIZE.

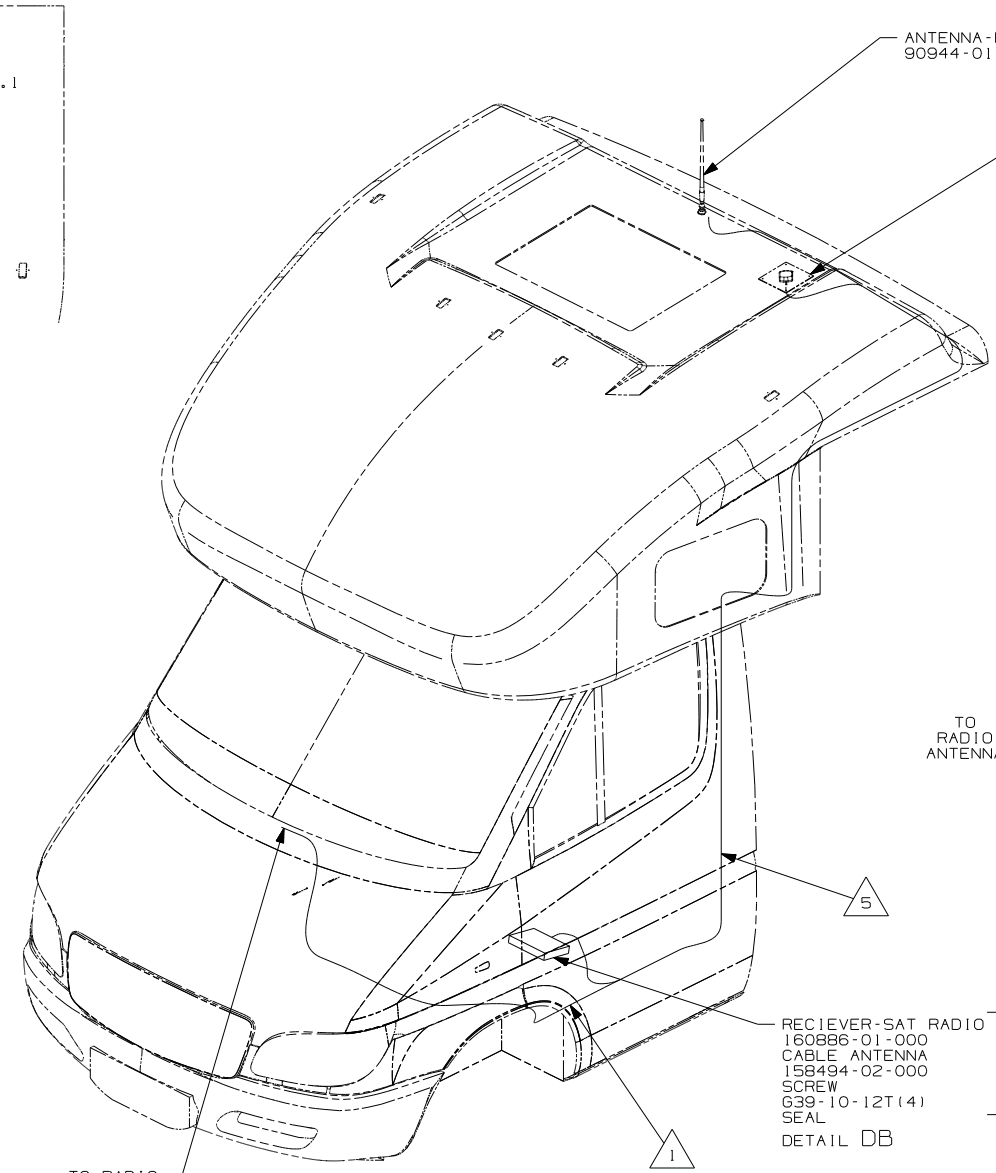
NOTES:

70C RADIO - SATELLITE

FIRST USED	
07 MOTORHOMES	
DO NOT SCALE DRAWING	
TITLE: ANTENNA INSTL-RADIO AND CB	
SHEET 2	PART NO 156329 REV



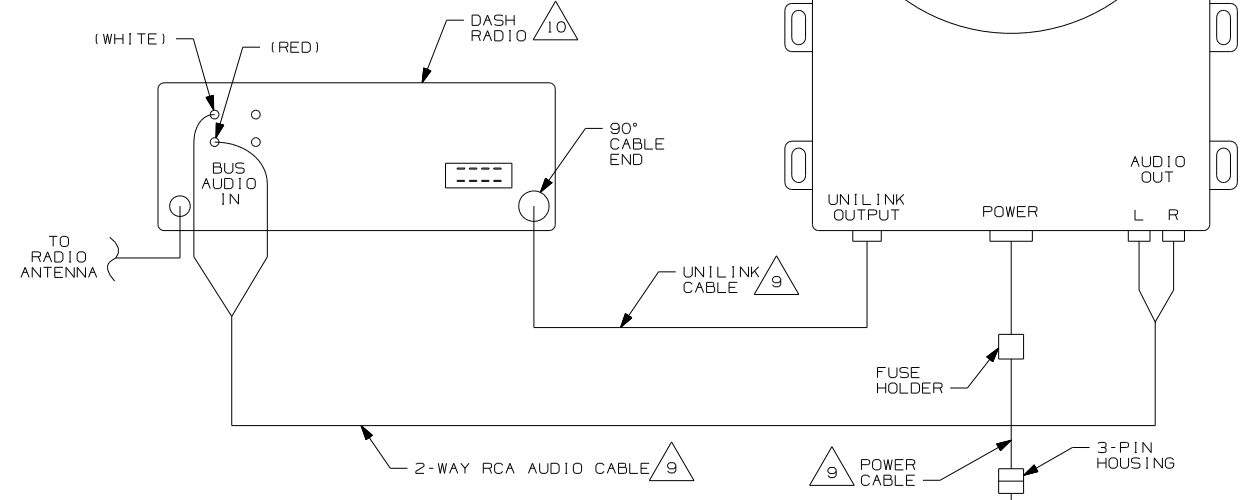
DETAIL DA 70C



ANTENNA-RADIO  
90944-01-000  
2 7

ANTENNA-SATELLITE RADIO 70C 3 4  
158494-01-000  
SCREW  
G11-08-08U (4)  
SEAL  
DETAIL DA

RECIEVER-SAT RADIO } 70C 6 8  
160886-01-000  
CABLE ANTENNA  
158494-02-000  
SCREW  
G39-10-12T(4)  
SEAL  
DETAIL DB



DETAIL DB  
UNDER DRIVERS  
SEAT

70C RADIO - SATELLITE

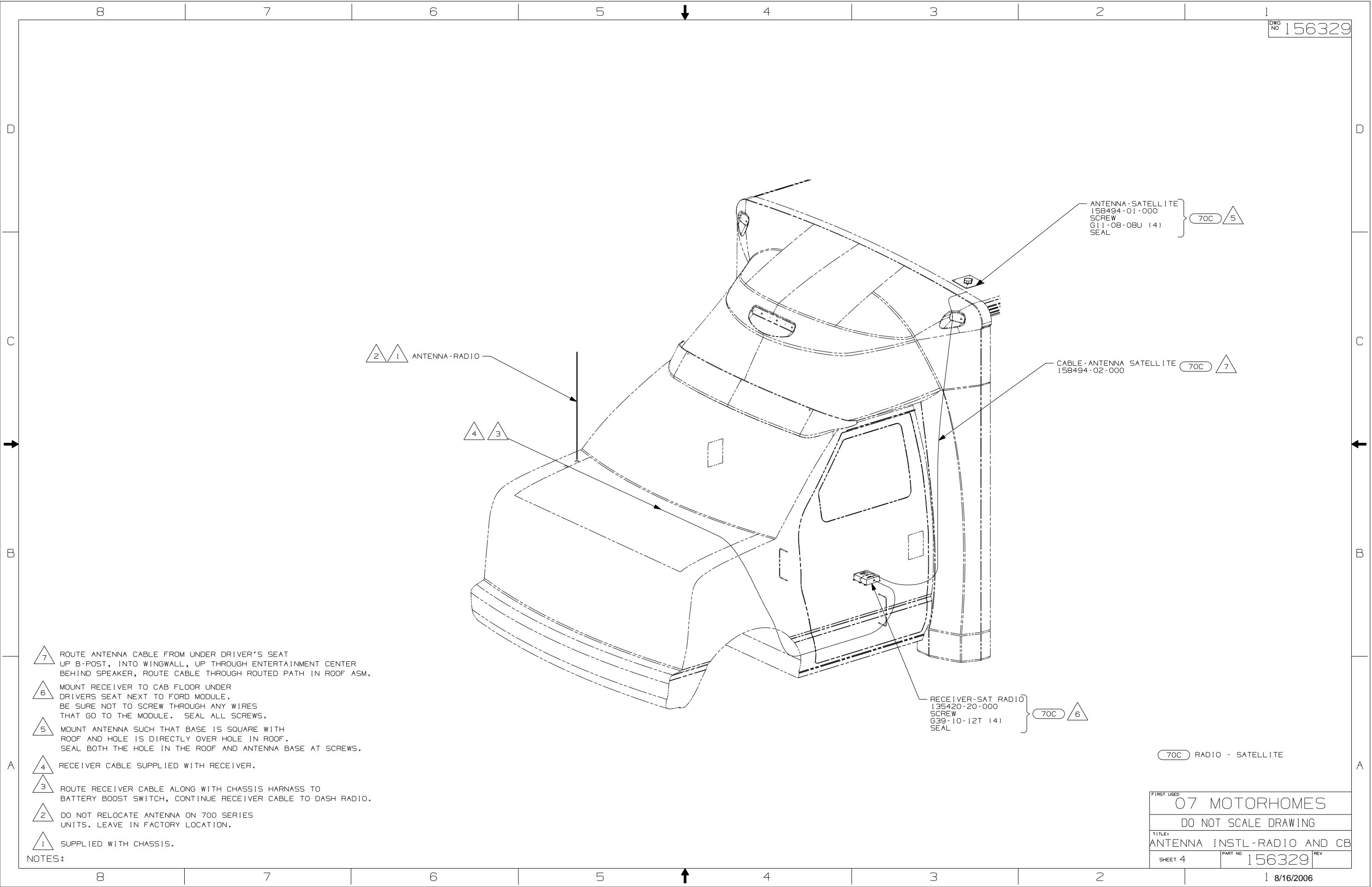
- 10 SEE RADIO INSTL FOR ADDITIONAL INFORMATION
- 9 SUPPLIED WITH SATELITE RADIO RECIEVER
- 8 CONNECT UNILINK CABLE SUPPLIED WITH SATELLITE RECEIVER BETWEEN DASH RADIO AND SATELLITE RECEIVER TERMINAL LABELED 'OUTPUT'.
- 7 CUT AND REMOVE A 75MM X 75MM AREA OF THE ALUMINUM INSULATION, CENTERED ABOUT THE RADIO ANTENNA ROOF CAP.
- 6 MOUNT RECIEVER TO FLOOR UNDER DRIVER'S SEAT. SEAL ALL SCREWS.
- 5 ROUTE SATELLITE RADIO ANTENNA CABLE ALONG B-POST TO BENEATH DRIVERS SEAT TO SATELLITE RADIO RECIEVER. PLUG ANTENNA CABLE INTO RECEIVER TERMINAL LABELED 'ANTENNA'.
- 4 SEE WIRE INSTL-CHASSIS FOR ADDITIONAL INFORMATION.
- 3 MOUNT ANTENNA SUCH THAT BASE IS SQUARE W/REAR OF ROOF CAP & CENTER HOLE OF ANTENNA DIRECTLY OVER HOLE IN FIBERGLASS. SEAL HOLE, BASE, AND SCREWS.
- 2 SEAL AROUND ANTENNA BASE.
- 1 ROUTE RADIO ANTENNA CABLE FROM DASH RADIO THROUGH STEP WELL UP B-POST TO ROOF CAP.

NOTES:

FOR ELECTRICAL  
TORQUE  
SPECIFICATIONS  
SEE DWG NO.  
128783-01-000

(X-X)  
FOR ELECTRICAL  
CALLOUTS  
SEE DWG NO.  
121339-01-000

FIRST USED	
07 MOTOR HOMES	
DO NOT SCALE DRAWING	
TITLE: ANTENNA INSTLT-RADIO AND CB	
SHEET 3	PART NO 156329 REV

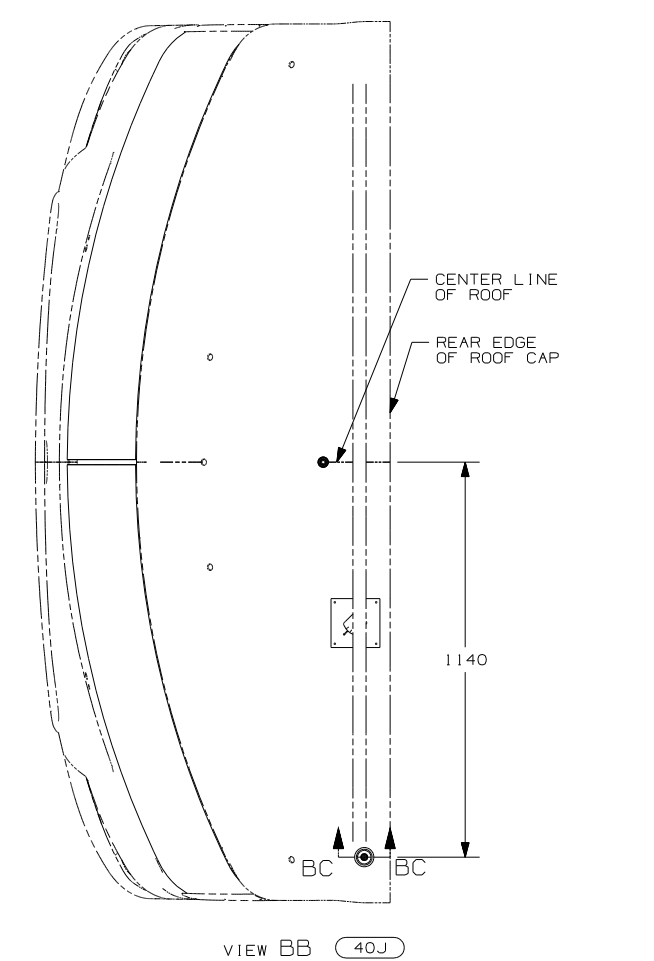
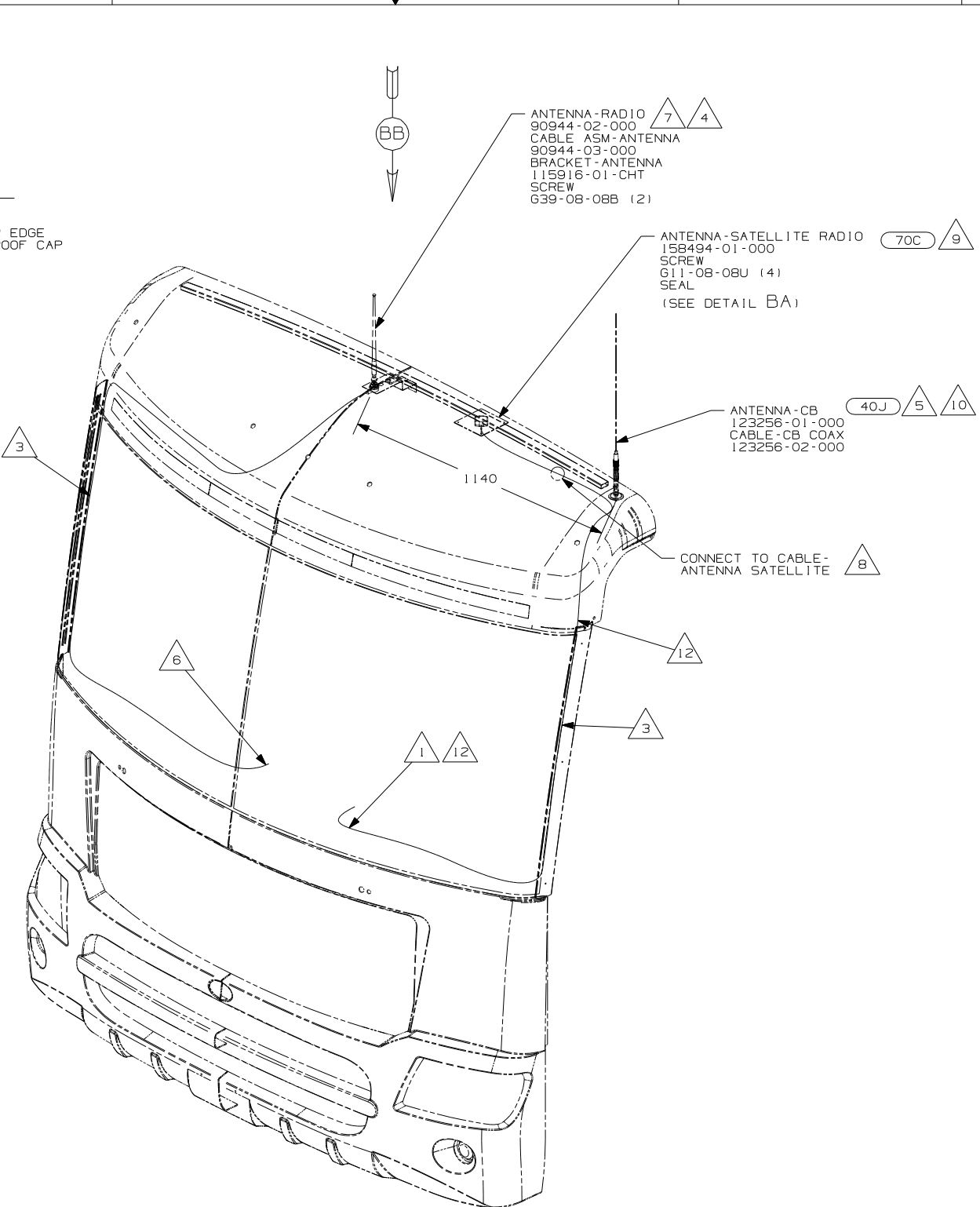
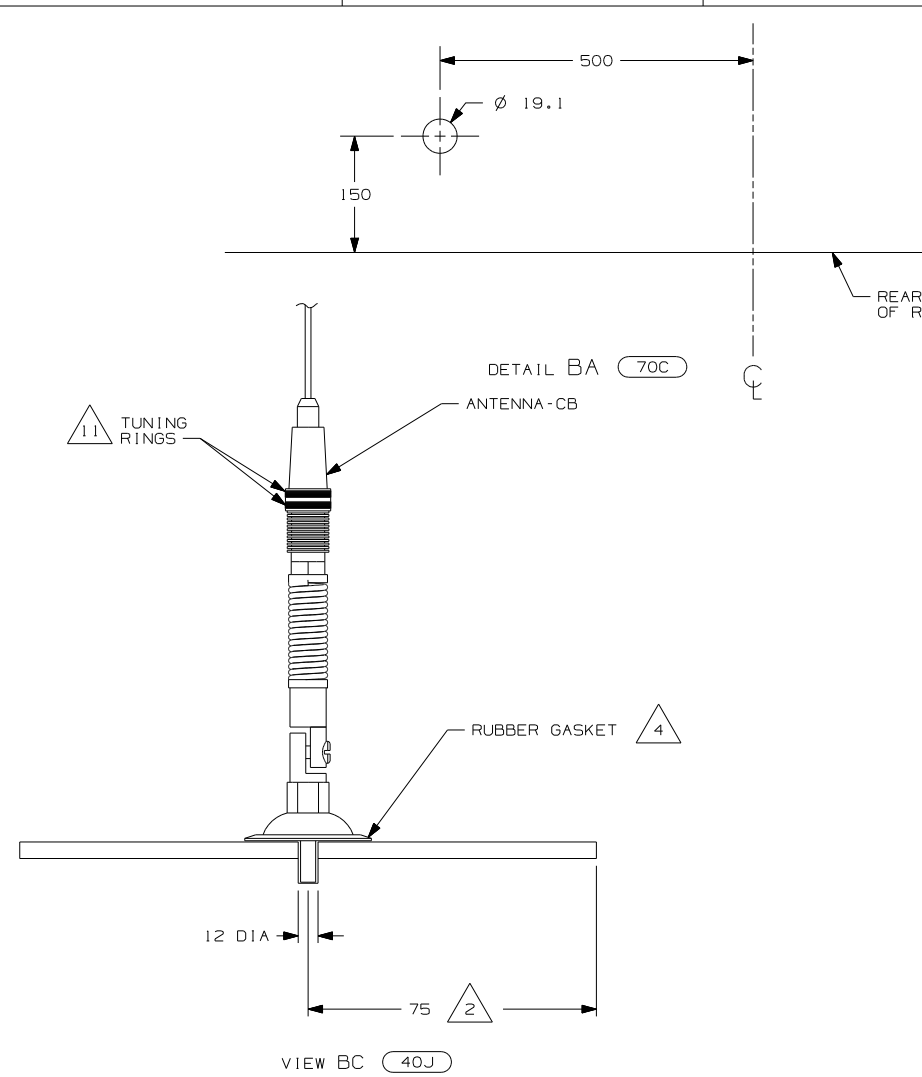


- 7 ROUTE ANTENNA CABLE FROM UNDER DRIVER'S SEAT UP B-POST, INTO WINGWALL, UP THROUGH ENTERTAINMENT CENTER BEHIND SPEAKER, ROUTE CABLE THROUGH ROUTED PATH IN ROOF ASM.
- 6 MOUNT RECEIVER TO CAB FLOOR UNDER DRIVERS SEAT NEXT TO FORD MODULE. BE SURE NOT TO SCREW THROUGH ANY WIRES THAT GO TO THE MODULE. SEAL ALL SCREWS.
- 5 MOUNT ANTENNA SUCH THAT BASE IS SQUARE WITH ROOF AND HOLE IS DIRECTLY OVER HOLE IN ROOF. SEAL BOTH THE HOLE IN THE ROOF AND ANTENNA BASE AT SCREWS.
- 4 RECEIVER CABLE SUPPLIED WITH RECEIVER.
- 3 ROUTE RECEIVER CABLE ALONG WITH CHASSIS HARNESS TO BATTERY BOOST SWITCH, CONTINUE RECEIVER CABLE TO DASH RADIO.
- 2 DO NOT RELOCATE ANTENNA ON 700 SERIES UNITS. LEAVE IN FACTORY LOCATION.
- 1 SUPPLIED WITH CHASSIS.

NOTES:

70C RADIO - SATELLITE

FIRST USED	
07 MOTORHOMES	
DO NOT SCALE DRAWING	
TITLE:	
ANTENNA INSTL-RADIO AND CB	
SHEET 4	PART NO 156329 REV

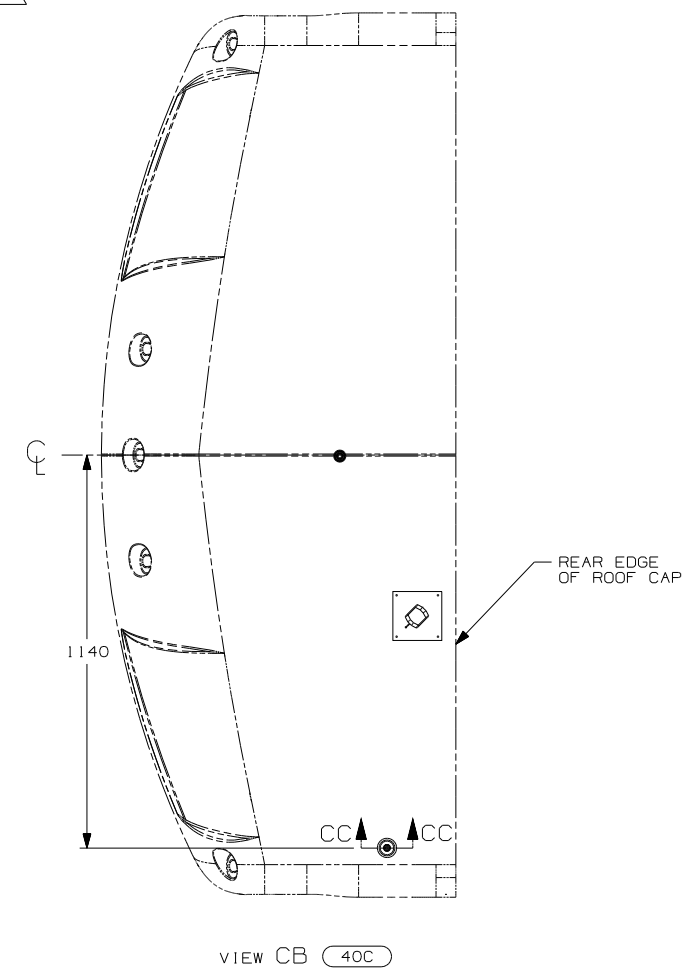
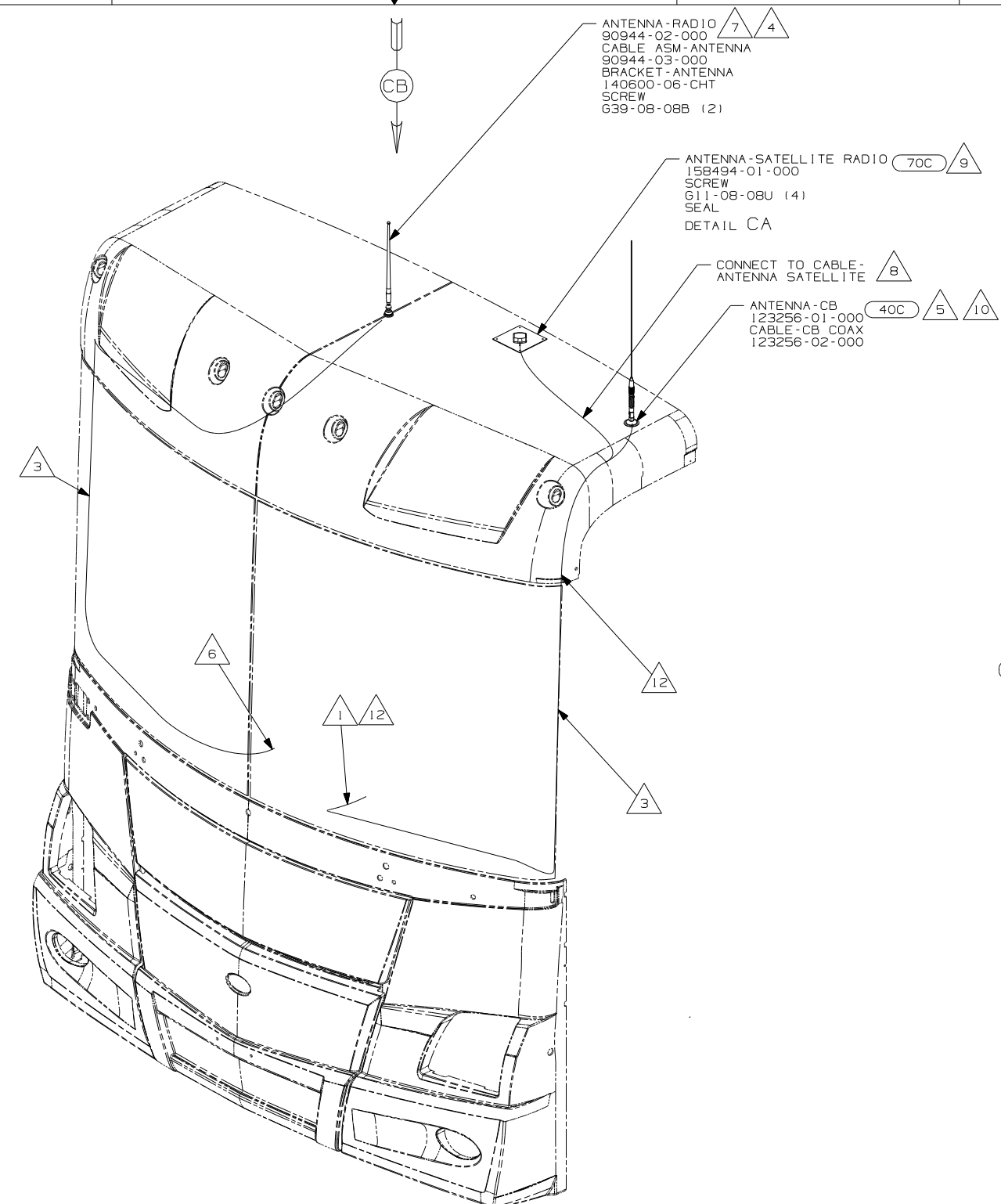
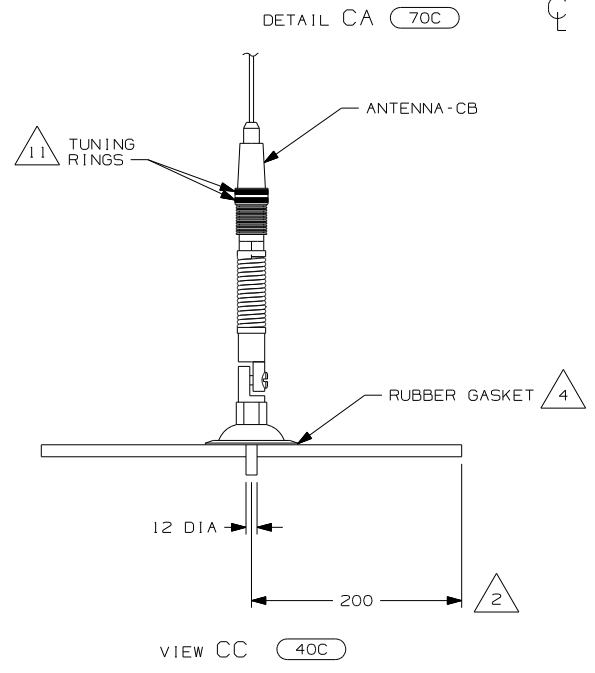
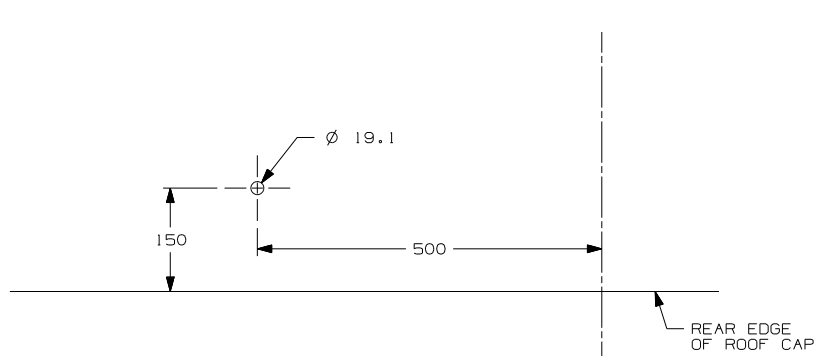


- 12 PROVIDE A 700MM DROP OF CB ANTENNA CABLE FROM THE TOP OF THE A-PILLAR TO CONNECT TO THE ANTENNA AND PLACE THE EXCESS CABLE IN THE CB PREP BAG LOCATED UNDER THE DASH.
- 11 TUNING RINGS ARE TO BE BOTH ADJUSTED TO THE TOP OF THEIR TRAVEL AND TIGHTENED AGAINST EACH OTHER.
- 10 TIGHTEN JOINTS BETWEEN ANTENNA BASE AND ANTENNA PIVOT AND ALSO THE MAST AND ANTENNA PLATE.
- 9 MOUNT ANTENNA SUCH THAT BASE IS SQUARE W/ REAR OF ROOF CAP & HOLE IS DIRECTLY OVER HOLE IN FIBERGLASS. SEAL HOLE IN ROOF CAP, BASE AT SCREWS.
- 8 SEE WIRING INSTL-FRONT END FOR ADDITIONAL INFORMATION.
- 7 USE HOLE IN BRACKET AS GUIDE TO DRILL 13 DIAMETER HOLE IN FIBERGLASS.
- 6 TO RADIO.
- 5 ATTACH ANTENNA-CB GROUND WIRE TO CAB FRAME, USE SCREW G39-08-08B.
- 4 SEAL AROUND ANTENNA BASE.
- 3 ROUTE CABLE ALONG A-POST, UNDER TRIM COVER.
- 2 MEASURED FROM REAR EDGE OF FIBERGLASS CAP.
- 1 SEE WIRING INSTL-FRONT END FOR LOCATION OF COAX END AND LABEL.

NOTES:

70C RADIO - SATELLITE  
40J CB RADIO PREP

FIRST USED	
07 MOTORHOMES	
DO NOT SCALE DRAWING	
TITLE: ANTENNA INSTL-RADIO AND CB	
SHEET 5	PART NO 156329 REV

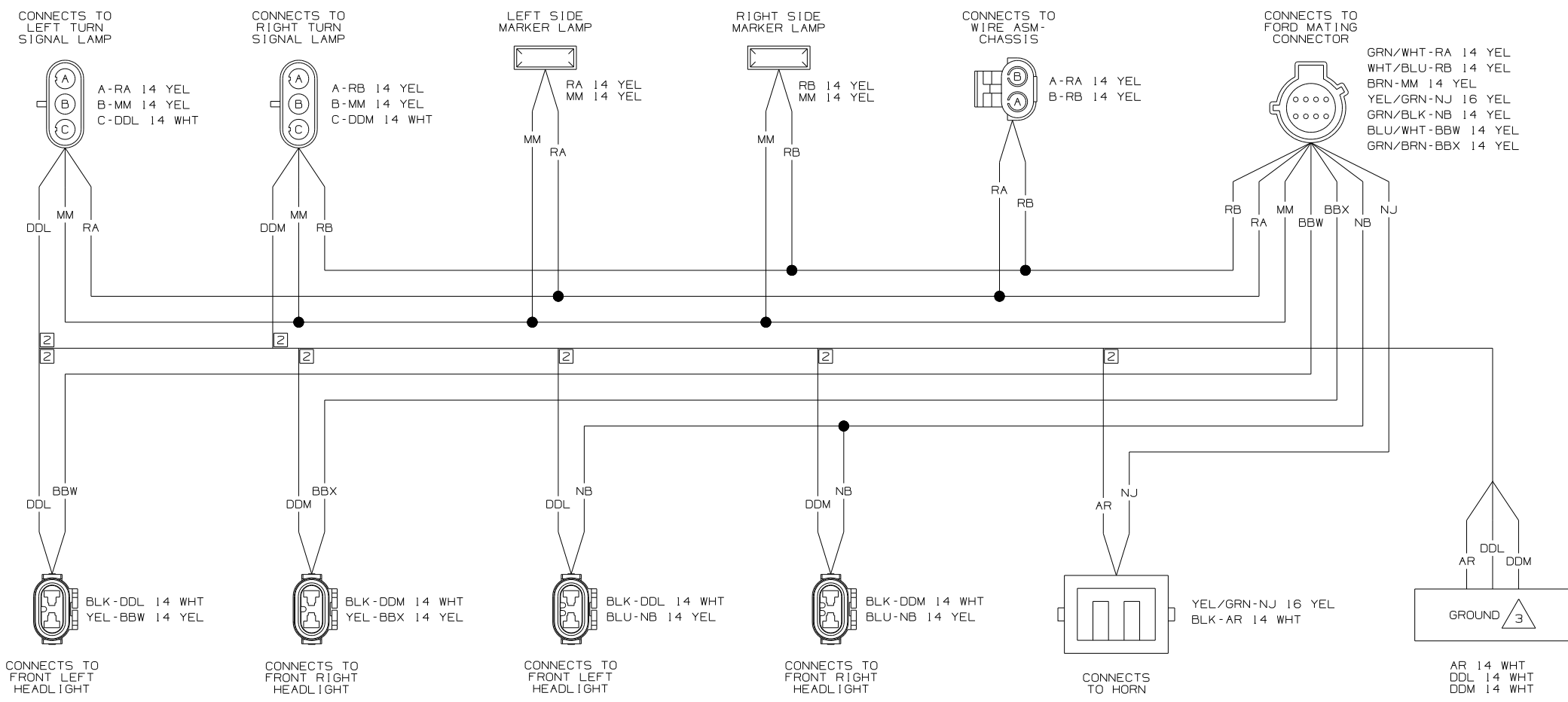


- 12 PROVIDE A 1000 DROP OF CB ANTENNA CABLE FROM THE TOP OF THE A-PILLAR TO CONNECT TO THE ANTENNA AND PLACE THE EXCESS CABLE IN THE CB PREP BAG LOCATED UNDER THE DASH.
- 11 TUNING RINGS ARE TO BE BOTH ADJUSTED TO THE TOP OF THEIR TRAVEL AND TIGHTENED AGAINST EACH OTHER.
- 10 TIGHTEN JOINTS BETWEEN ANTENNA BASE AND ANTENNA PIVOT AND ALSO THE MAST AND ANTENNA PLATE.
- 9 MOUNT ANTENNA SUCH THAT BASE IS SQUARE W/REAR OF ROOF CAP & CENTER HOLE OF ANTENNA DIRECTLY OVER HOLE IN FIBERGLASS. SEAL HOLE, BASE, AND SCREWS.
- 8 SEE WIRING INSTL-FRONT END FOR ADDITIONAL INFORMATION.
- 7 USE HOLE IN BRACKET AS GUIDE TO DRILL 13 DIAMETER HOLE IN FIBERGLASS.
- 6 TO RADIO.
- 5 ATTACH ANTENNA-CB GROUND WIRE TO CAB FRAME, USE SCREW 639-08-08B.
- 4 SEAL AROUND ANTENNA BASE.
- 3 ROUTE CABLE ALONG A-POST, UNDER TRIM COVER.
- 2 MEASURED FROM REAR EDGE OF FIBERGLASS CAP.
- 1 SEE WIRING INSTL-FRONT END FOR LOCATION OF COAX END AND LABEL.

70C RADIO - SATELLITE  
 40C RADIO - CB

FIRST USED	
07 MOTORHOMES	
DO NOT SCALE DRAWING	
TITLE:	
ANTENNA INSTL-RADIO AND CB	
SHEET 6	PART NO 156329 REV





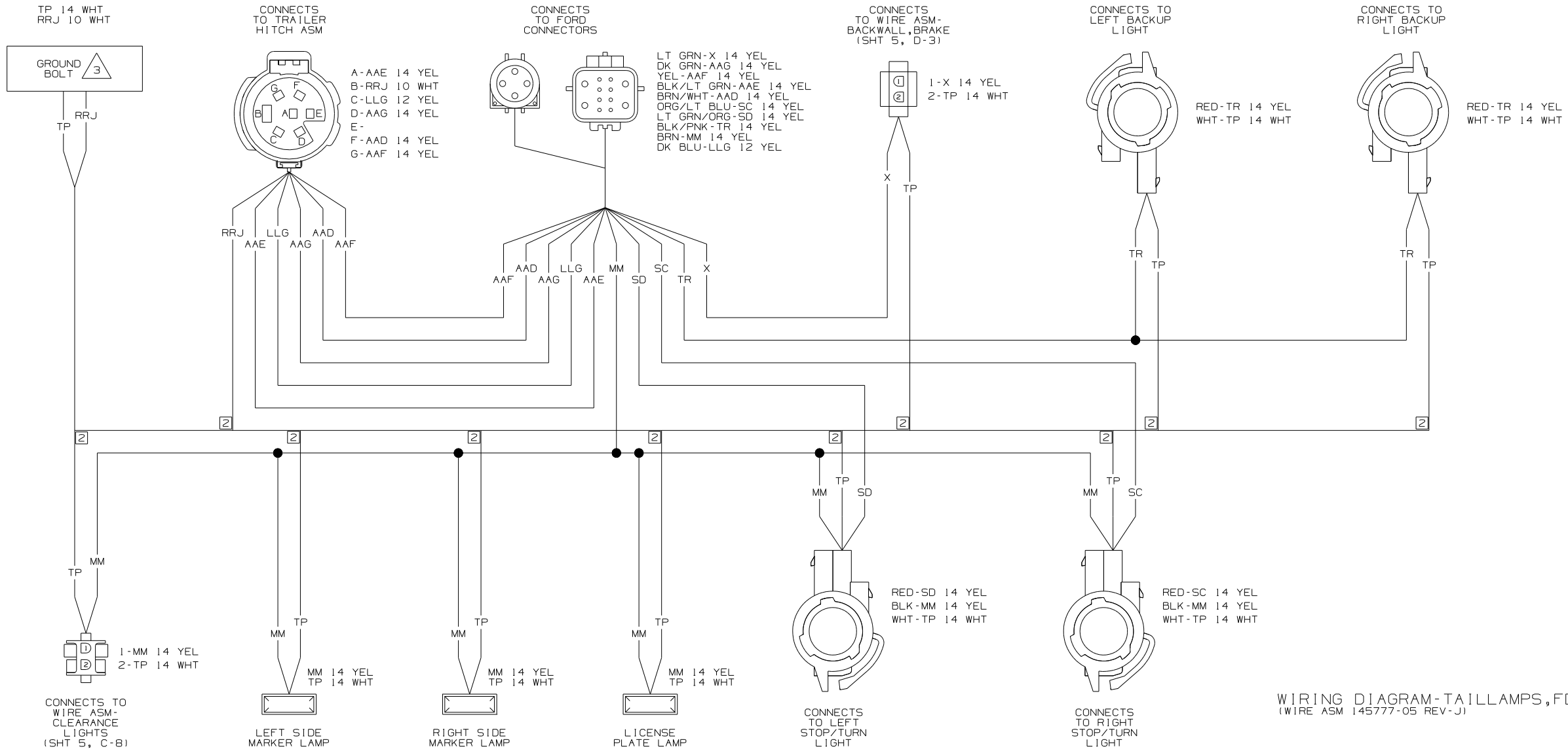
WIRING DIAGRAM-HEADLAMPS, FD  
(WIRE ASM 148645-05 REV-N)

- 5 SEE WIRING DIAGRAM-AUTO FOR ADDITIONAL INFORMATION.
- 4 SEE MANUFACTURERS DIAGRAM FOR ADDITIONAL INFORMATION.
- 3 GROUNDS ARE SHOWN AS A SINGLE LINE FOR EASE IN TRACING. EACH GROUND CIRCUIT IS SEPERATE IN THE HARNESS.
- 2 NOT A SPLICE POINT. INDICATES ENTRY INTO WIRING HARNESS.
1. SPLICES ARE THEORETICAL AND MAY DIFFER IN THE HARNESS.

NOTES:

<b>WINNEBAGO</b>		COPYRIGHT 2006 WINNEBAGO INDUSTRIES, INC.	
DFT	ORIG. DATE	ALL DIMENSIONS ARE IN MILLIMETERS	
CHKR		MATERIAL:	
P.E.		WHOLE DIM (X)	:
M.E.	FIRST USED	ONE-PLACE (X.X)	:
DSNR	07 D-SERIES	TWO-PLACE (X.XX)	:
UNSPECIFIED TOLERANCES ARE:		ANGLE	:
THIRD ANGLE PROJECTION			
DO NOT SCALE DRAWING			
TITLE: WIRING DIAGRAM-AUTO LAMPS			
SHEET 1 OF 5	PART NO	156369	REV
REF:		12/14/2006	



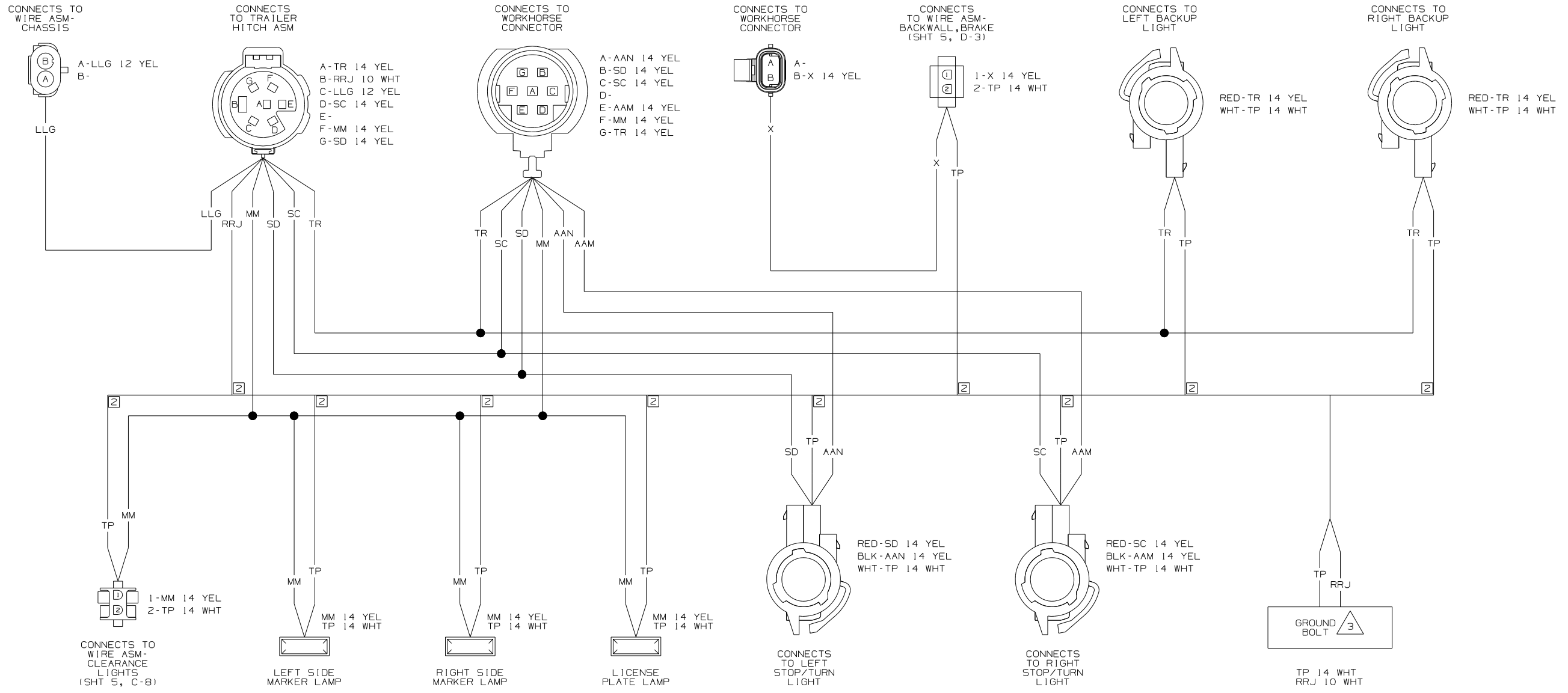


WIRING DIAGRAM-TAILLAMPS,FD (WIRE ASM 145777-05 REV-J)

- 5 SEE WIRING DIAGRAM-AUTO FOR ADDITIONAL INFORMATION.
  - 4 SEE MANUFACTURERS DIAGRAM FOR ADDITIONAL INFORMATION.
  - 3 GROUNDS ARE SHOWN AS A SINGLE LINE FOR EASE IN TRACING. EACH GROUND CIRCUIT IS SEPERATE IN THE HARNESS.
  - 2 NOT A SPLICE POINT. INDICATES ENTRY INTO WIRING HARNESS.
1. SPLICES ARE THEORETICAL AND MAY DIFFER IN THE HARNESS.

NOTES:

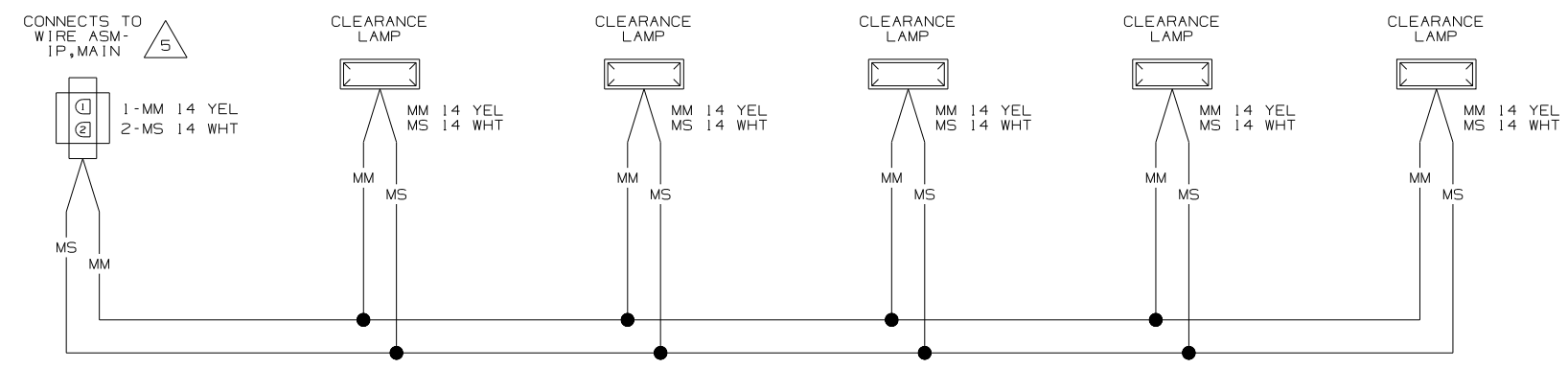
FIRST USED	07 D-SERIES	
TITLE	DO NOT SCALE DRAWING	
TITLE	WIRING DIAGRAM-AUTO LAMPS	
SHEET 3	PART NO 156369	REV



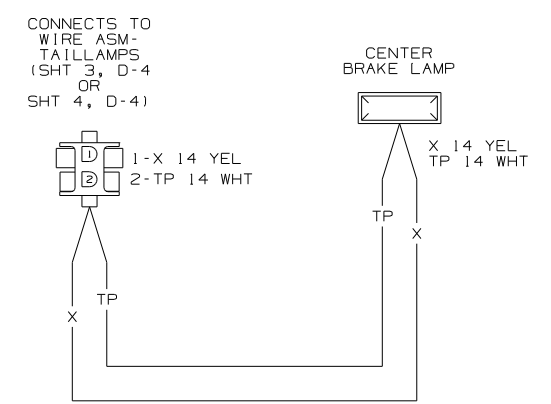
WIRING DIAGRAM-TAILLAMPS, WH  
(WIRE ASM 145777-06 REV-J)

- 5 SEE WIRING DIAGRAM-AUTO FOR ADDITIONAL INFORMATION.
  - 4 SEE MANUFACTURERS DIAGRAM FOR ADDITIONAL INFORMATION.
  - 3 GROUNDS ARE SHOWN AS A SINGLE LINE FOR EASE IN TRACING. EACH GROUND CIRCUIT IS SEPERATE IN THE HARNESS.
  - 2 NOT A SPLICE POINT. INDICATES ENTRY INTO WIRING HARNESS.
- NOTES:  
1. SPLICES ARE THEORETICAL AND MAY DIFFER IN THE HARNESS.

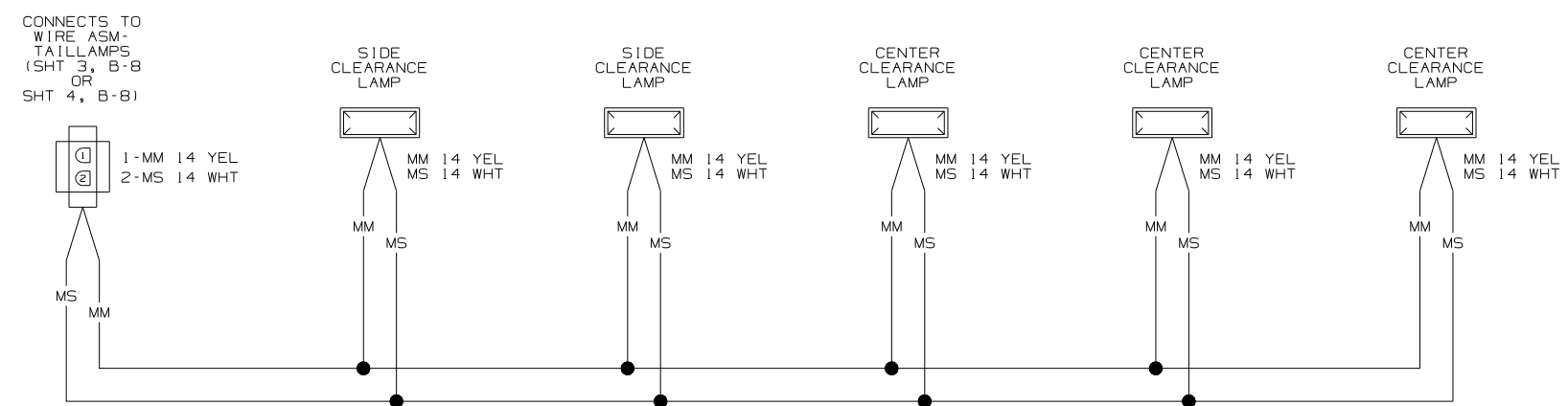
FIRST USED	07 D-SERIES	
TITLE:	DO NOT SCALE DRAWING	
	WIRING DIAGRAM-AUTO LAMPS	
SHEET 4	PART NO	156369
	REV	



WIRING DIAGRAM-CLEARANCE LAMPS  
(WIRE ASM 129943-01 REV-D)



WIRING DIAGRAM-BACKWALL, BRAKE  
(WIRE ASM 132731-02 REV-E)

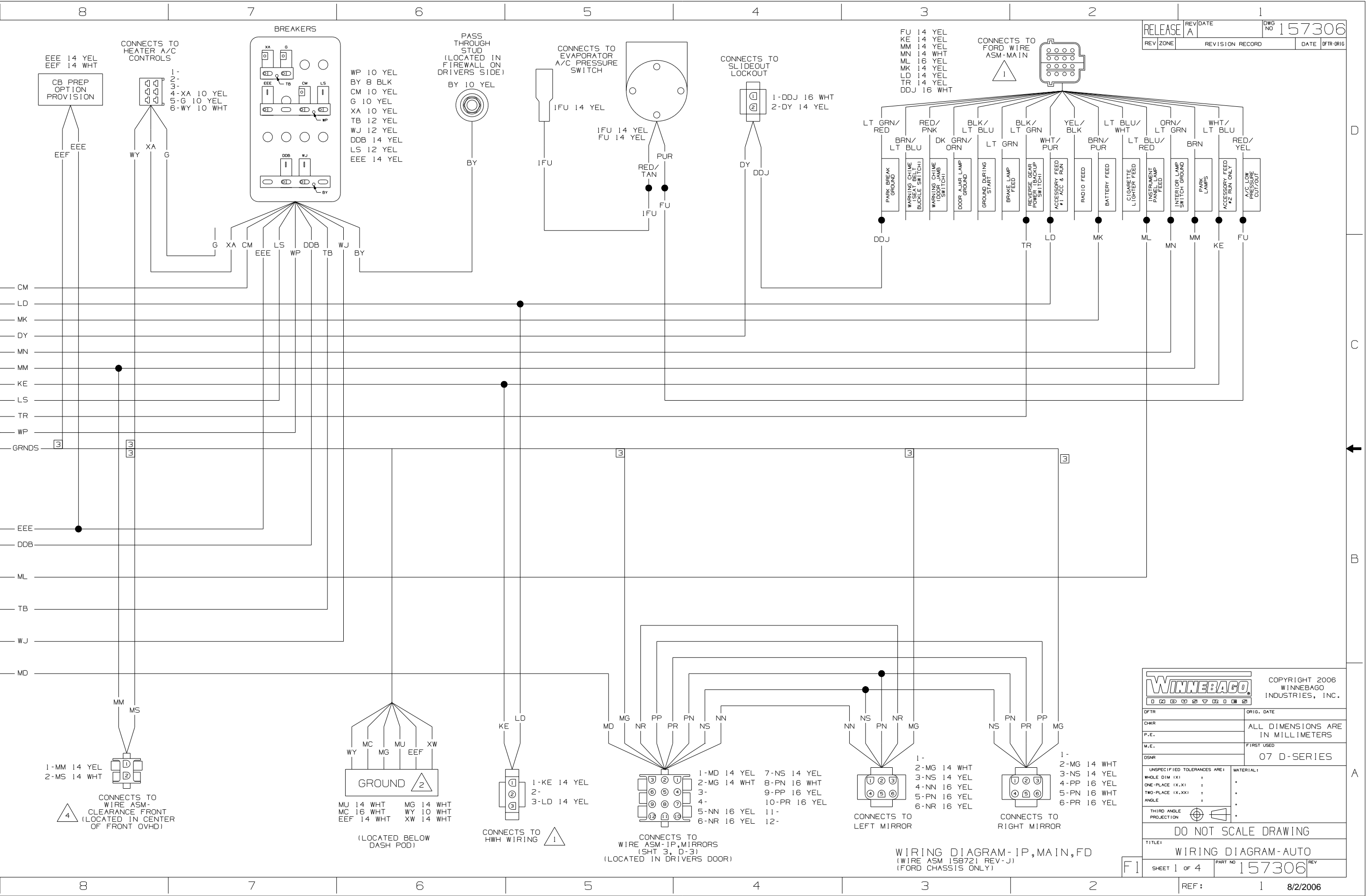


WIRING DIAGRAM-CLEARANCE LIGHTS  
(WIRE ASM 132085-02 REV-F)

- 5 SEE WIRING DIAGRAM-AUTO FOR ADDITIONAL INFORMATION.
- 4 SEE MANUFACTURERS DIAGRAM FOR ADDITIONAL INFORMATION.
- 3 GROUNDS ARE SHOWN AS A SINGLE LINE FOR EASE IN TRACING. EACH GROUND CIRCUIT IS SEPERATE IN THE HARNESS.
- 2 NOT A SPLICE POINT. INDICATES ENTRY INTO WIRING HARNESS.
1. SPLICES ARE THEORETICAL AND MAY DIFFER IN THE HARNESS.

NOTES:

FIRST USED	07 D-SERIES	
TITLE	DO NOT SCALE DRAWING	
TITLE	WIRING DIAGRAM-AUTO LAMPS	
SHEET 5	PART NO 156369	REV



**WINNEBAGO** COPYRIGHT 2006 WINNEBAGO INDUSTRIES, INC.

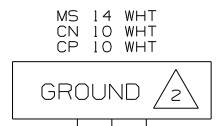
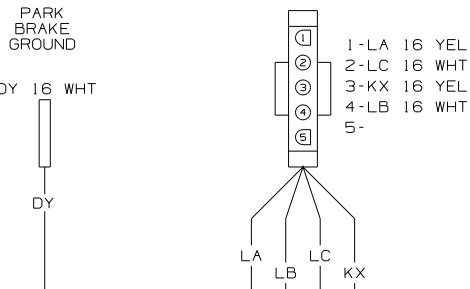
DFTR	ORIG. DATE
CHR	ALL DIMENSIONS ARE IN MILLIMETERS
P.E.	FIRST USED
M.E.	07 D-SERIES
DSNR	

UNSPECIFIED TOLERANCES ARE:  
 WHOLE DIM (XX) :  
 ONE-PLACE (X.X) :  
 TWO-PLACE (X.XX) :  
 ANGLE :  
 THIRD ANGLE PROJECTION

**DO NOT SCALE DRAWING**

TITLE: WIRING DIAGRAM-AUTO  
 SHEET 1 of 4 PART NO 157306 REV  
 REF: 1 8/2/2006

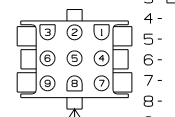
CONNECTS TO WIRE ASM-ROOF (LOCATED IN FRONT OVHD) 5



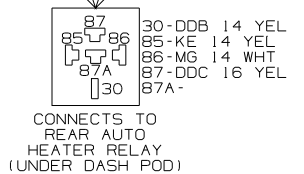
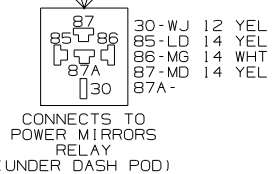
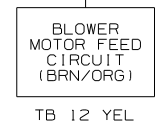
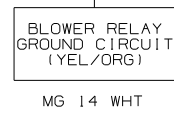
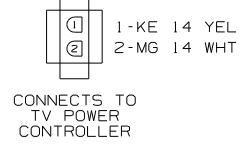
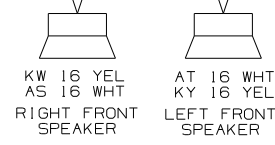
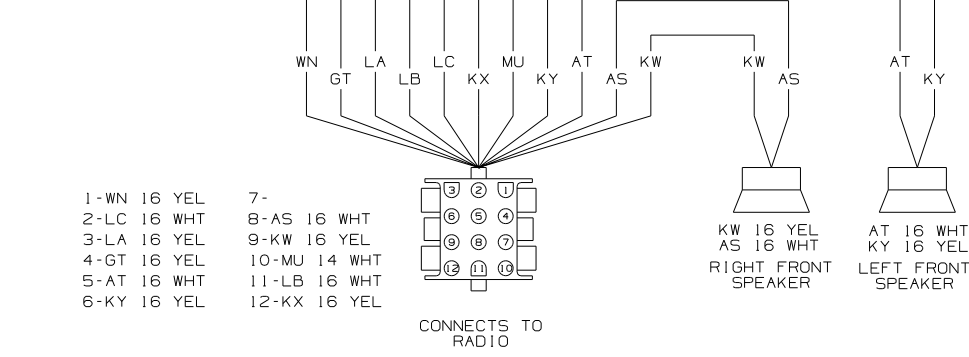
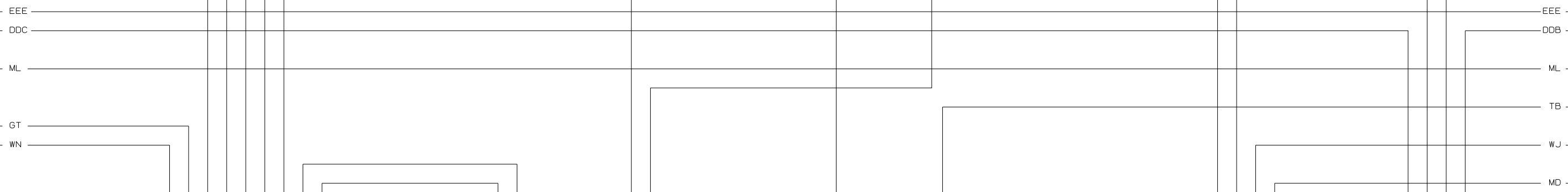
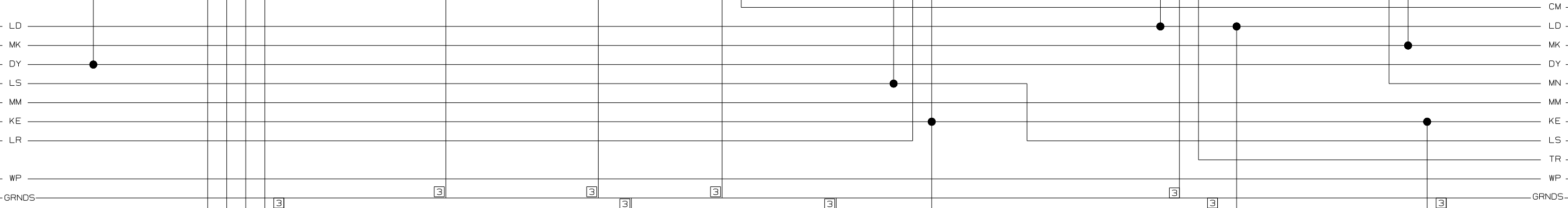
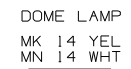
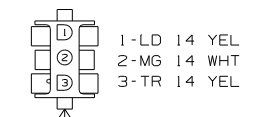
CONNECTS TO INVERTER

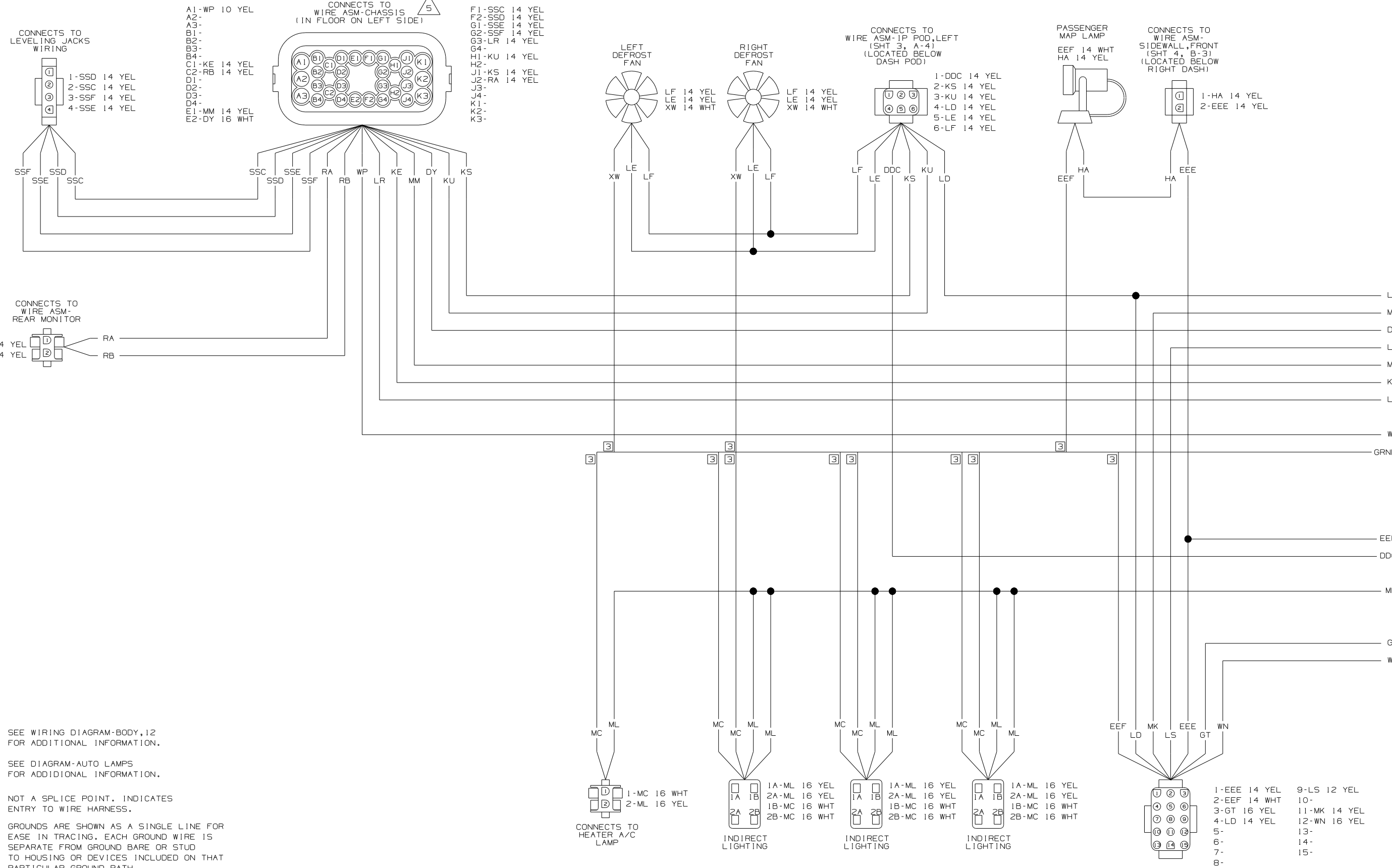
CONNECTS TO INVERTER

CONNECTS TO WIRE ASM-IP POD,LEFT (SHT 3, A-7) (LOCATED UNDER DASH POD)



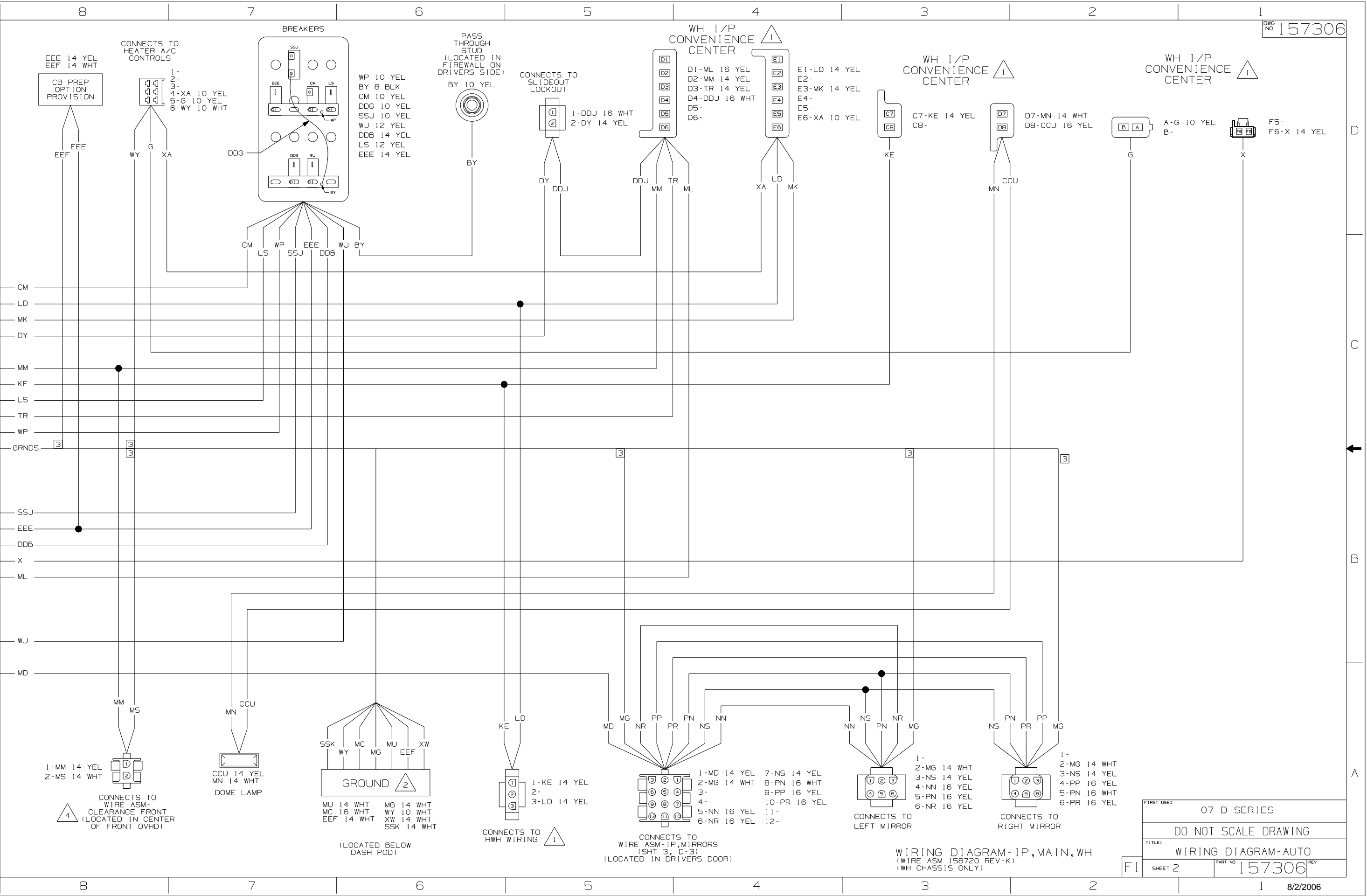
CONNECTS TO WIRE ASM-REAR MONITOR 1





- NOTES:**
- 5 SEE WIRING DIAGRAM-BODY,12 FOR ADDITIONAL INFORMATION.
  - 4 SEE DIAGRAM-AUTO LAMPS FOR ADDITIONAL INFORMATION.
  - 3 NOT A SPLICE POINT. INDICATES ENTRY TO WIRE HARNESS.
  - 2 GROUNDS ARE SHOWN AS A SINGLE LINE FOR EASE IN TRACING. EACH GROUND WIRE IS SEPARATE FROM GROUND BARE OR STUD TO HOUSING OR DEVICES INCLUDED ON THAT PARTICULAR GROUND PATH.
  - 1 SEE MANUFACTURER'S DIAGRAM FOR ADDITIONAL INFORMATION.

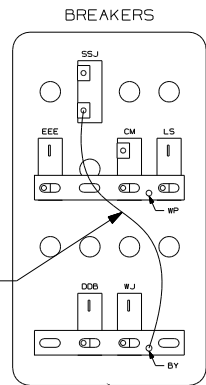




EEE 14 YEL  
EEF 14 WHT

CONNECTS TO HEATER A/C CONTROLS

1-  
2-  
3-  
4-XA 10 YEL  
5-G 10 YEL  
6-WY 10 WHT



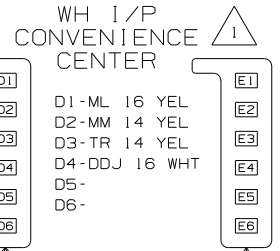
WP 10 YEL  
BY 8 BLK  
CM 10 YEL  
DDG 10 YEL  
SSJ 10 YEL  
WJ 12 YEL  
DDB 14 YEL  
LS 12 YEL  
EEE 14 YEL

PASS THROUGH STUD  
(LOCATED IN FIREWALL ON DRIVERS SIDE)

BY 10 YEL

CONNECTS TO SLIDEOUT LOCKOUT

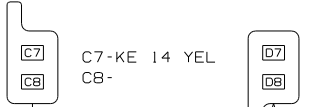
1-DDJ 16 WHT  
2-DY 14 YEL



D1-ML 16 YEL  
D2-MM 14 YEL  
D3-TR 14 YEL  
D4-DDJ 16 WHT  
D5-  
D6-

E1-LD 14 YEL  
E2-  
E3-MK 14 YEL  
E4-  
E5-  
E6-XA 10 YEL

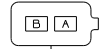
WH I/P CONVENIENCE CENTER



C7-KE 14 YEL  
C8-



D7-MN 14 WHT  
D8-CCU 16 YEL



A-G 10 YEL  
B-



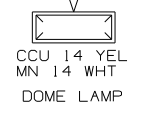
F5-F6-X 14 YEL

CM  
LD  
MK  
DY  
MM  
KE  
LS  
TR  
WP  
GRNDS

SSJ  
EEE  
DDB  
X  
ML

WJ  
MD

1-MM 14 YEL  
2-MS 14 WHT

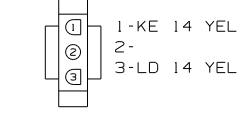


CCU 14 YEL  
MN 14 WHT



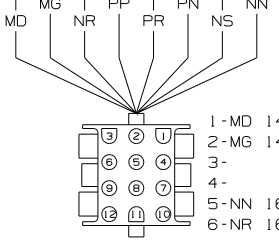
MU 14 WHT  
MG 14 WHT  
MC 16 WHT  
WY 10 WHT  
EEF 14 WHT  
XW 14 WHT  
SSK 14 WHT

(LOCATED BELOW DASH POD)



1-KE 14 YEL  
2-  
3-LD 14 YEL

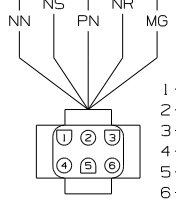
CONNECTS TO HWH WIRING



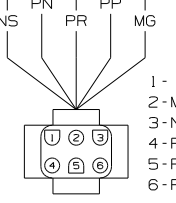
1-MD 14 YEL  
2-MG 14 WHT  
3-  
4-  
5-NN 16 YEL  
6-NR 16 YEL

CONNECTS TO WIRE ASM-IP, MIRRORS (SHT 3, D-3) (LOCATED IN DRIVERS DOOR)

7-NS 14 YEL  
8-PN 16 WHT  
9-PP 16 YEL  
10-PR 16 YEL  
11-  
12-



CONNECTS TO LEFT MIRROR



CONNECTS TO RIGHT MIRROR

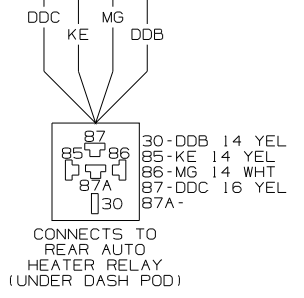
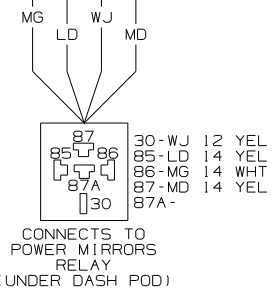
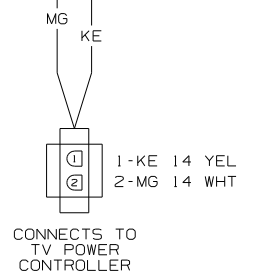
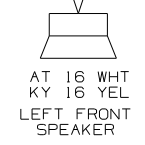
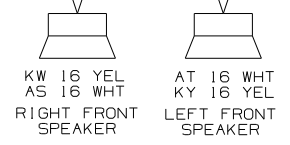
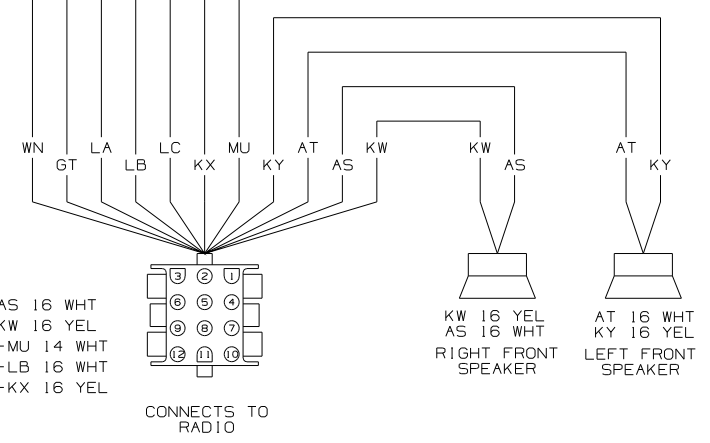
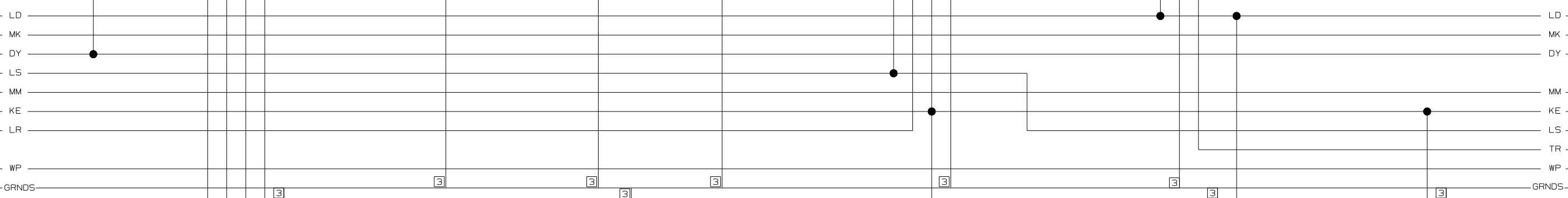
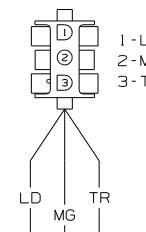
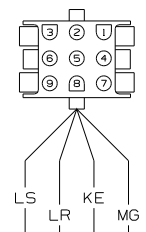
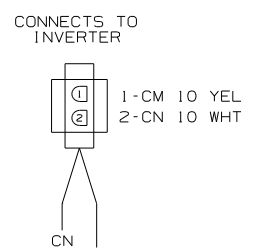
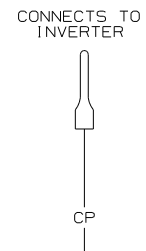
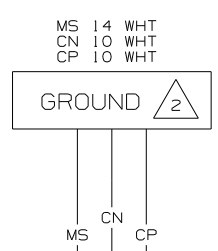
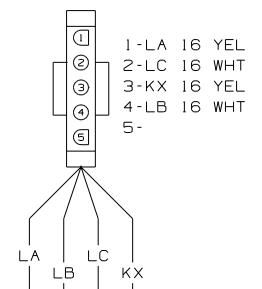
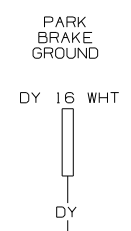
WIRING DIAGRAM-IP, MAIN, WH (WIRE ASM 158720 REV-K) (WH CHASSIS ONLY)

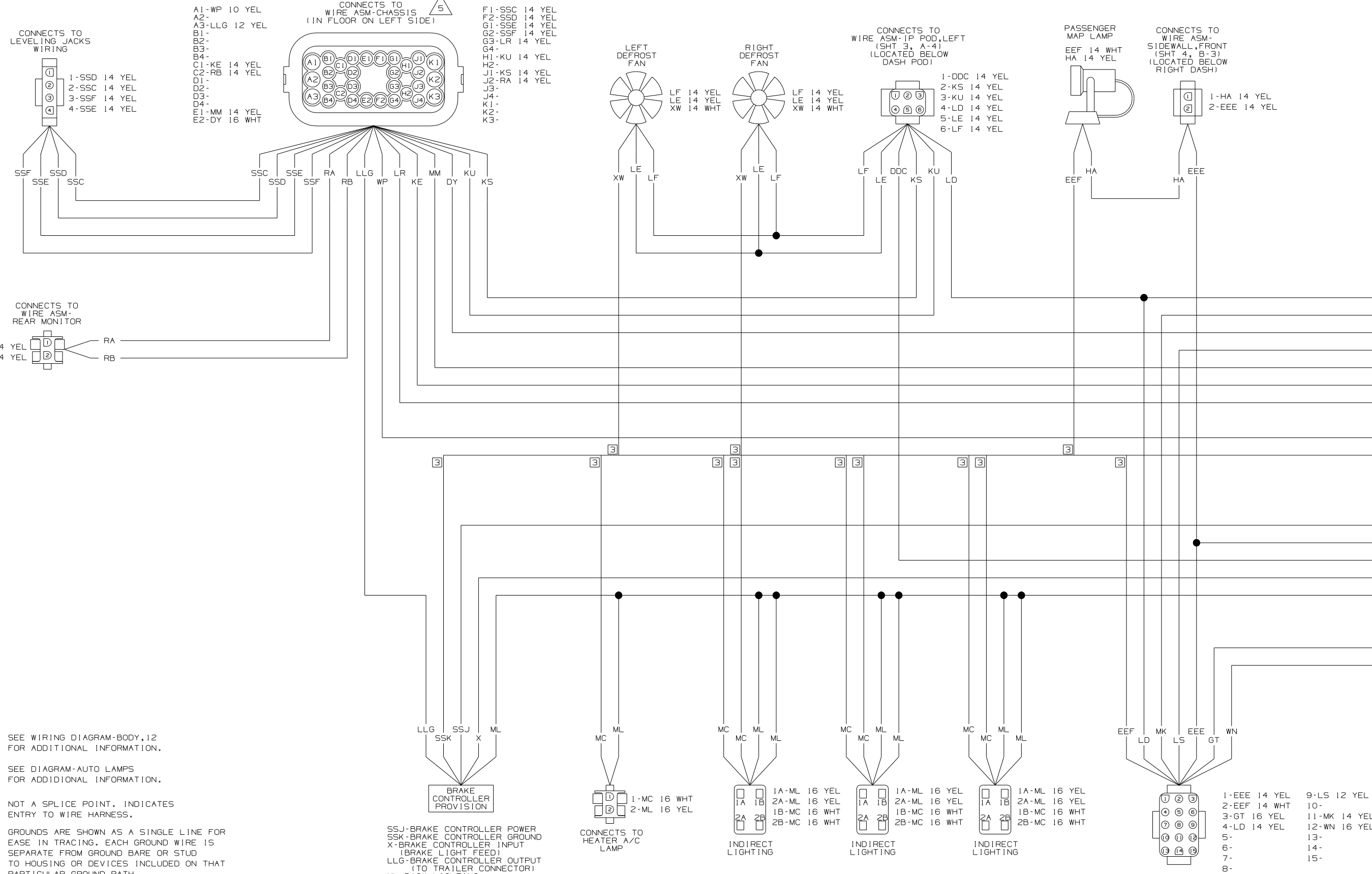
FIRST USED	07 D-SERIES
TITLE	DO NOT SCALE DRAWING
TITLE	WIRING DIAGRAM-AUTO
SHEET 2	PART NO 157306 REV

CONNECTS TO WIRE ASM-ROOF (LOCATED IN FRONT OVHD) 5

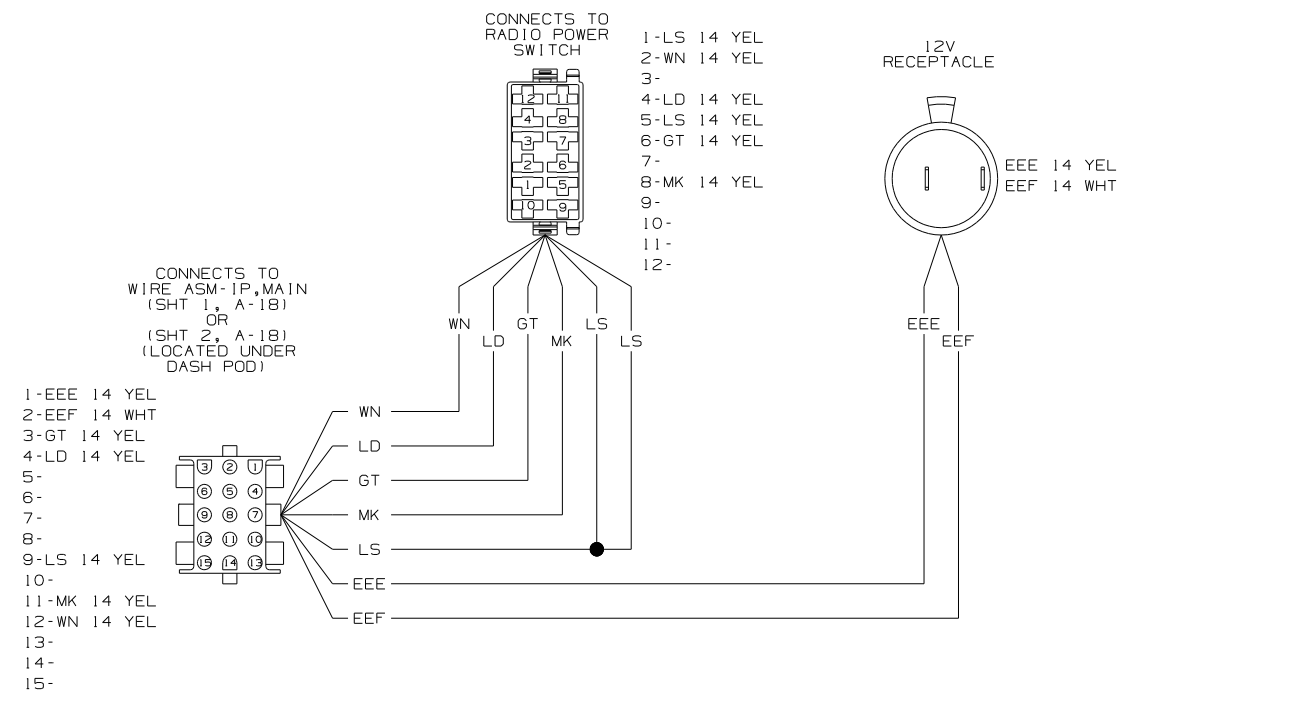
CONNECTS TO WIRE ASM-IP POD,LEFT (SHT 3, A-7) (LOCATED UNDER DASH POD)

CONNECTS TO WIRE ASM-REAR MONITOR 1

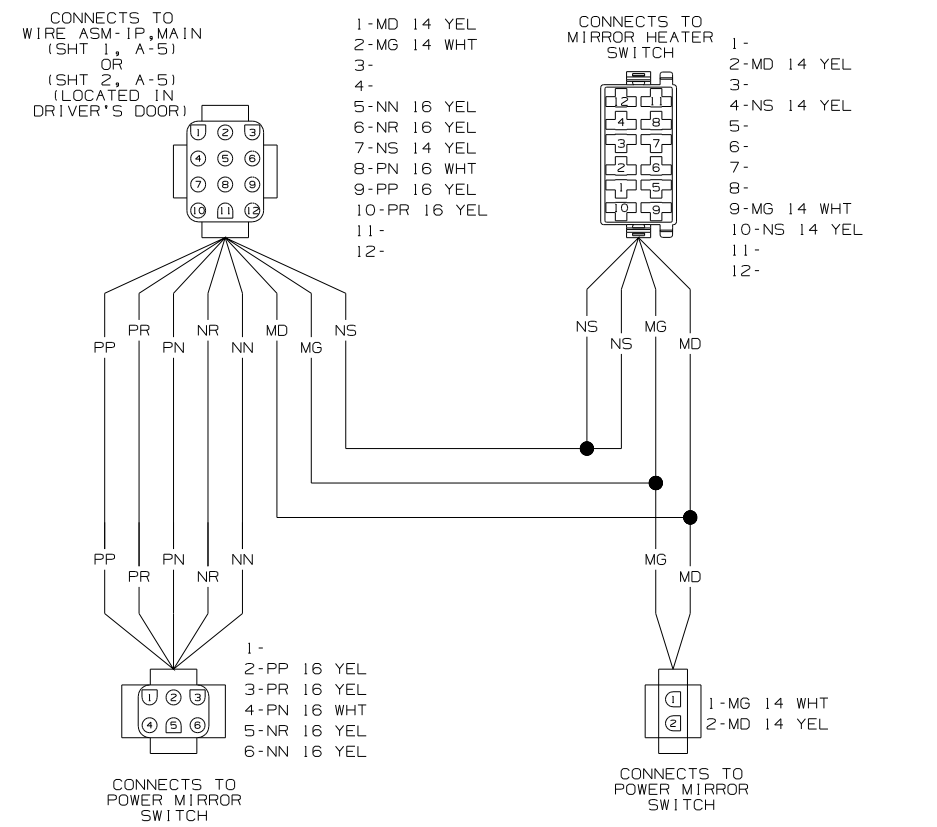




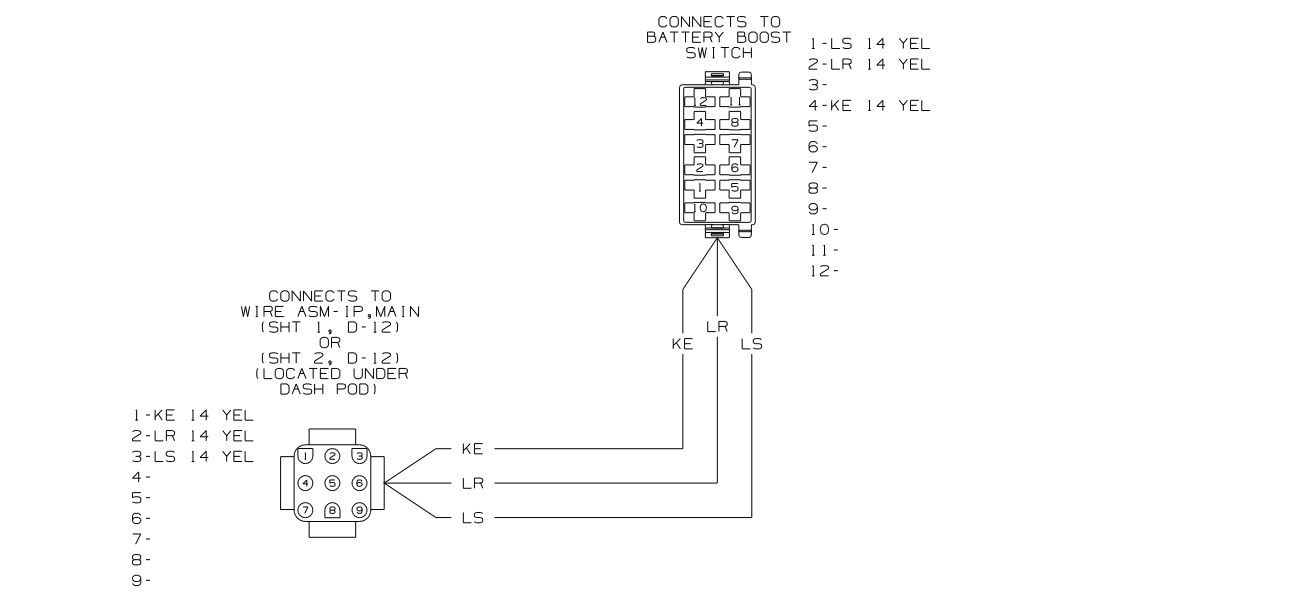
- 5 SEE WIRING DIAGRAM-BODY,12 FOR ADDITIONAL INFORMATION.
- 4 SEE DIAGRAM-AUTO LAMPS FOR ADDITIONAL INFORMATION.
- 3 NOT A SPLICE POINT. INDICATES ENTRY TO WIRE HARNESS.
- 2 GROUNDS ARE SHOWN AS A SINGLE LINE FOR EASE IN TRACING. EACH GROUND WIRE IS SEPARATE FROM GROUND BARE OR STUD TO HOUSING OR DEVICES INCLUDED ON THAT PARTICULAR GROUND PATH.
- 1 SEE MANUFACTURER'S DIAGRAM FOR ADDITIONAL INFORMATION.
- NOTES:



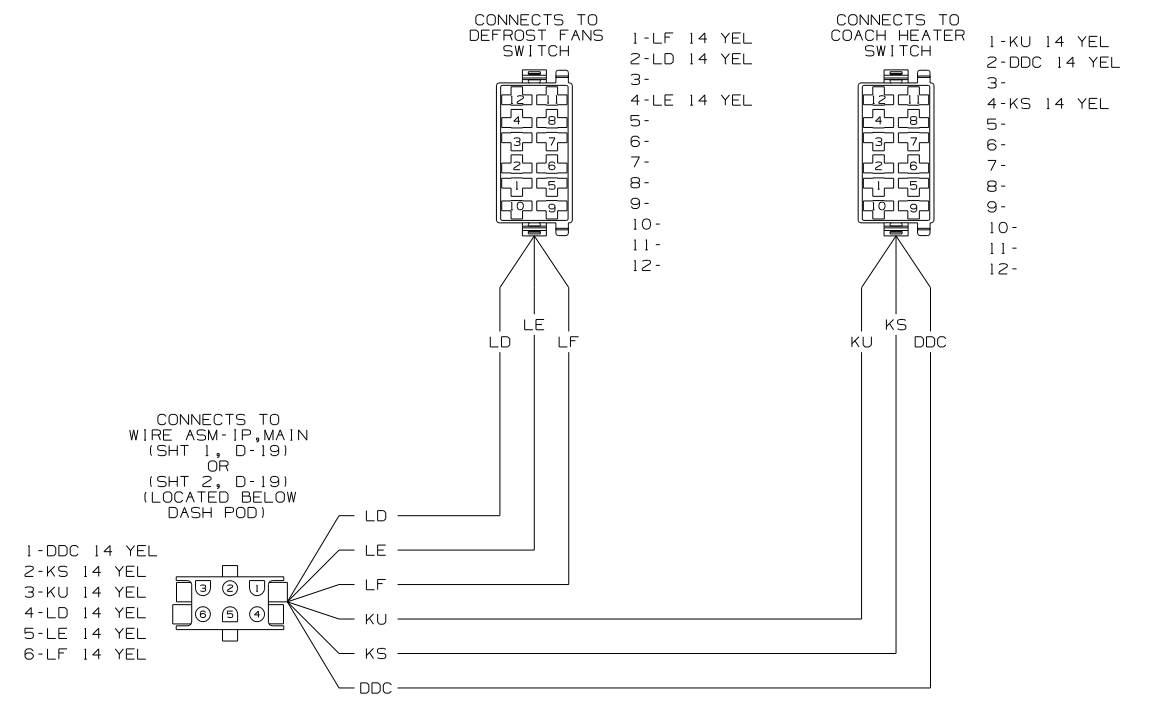
WIRING DIAGRAM-IP POD,RIGHT  
(WIRE ASM 156819-02 REV.C)



WIRING DIAGRAM-IP POWER MIRROR  
(WIRE ASM 129436-13 REV.AG)

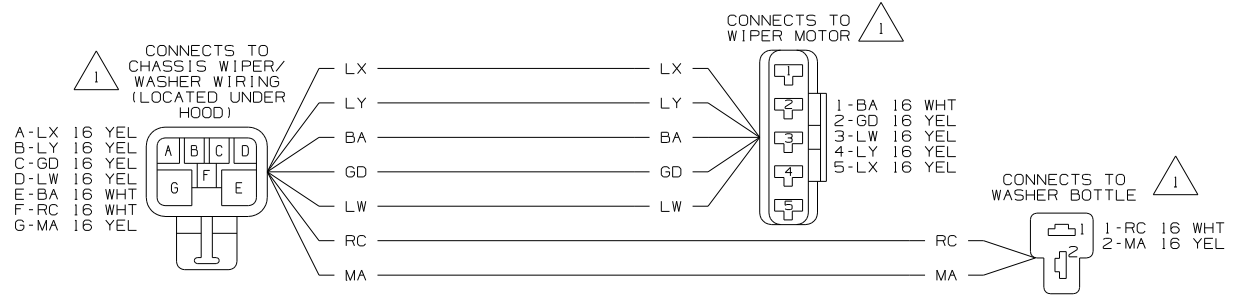


WIRING DIAGRAM-IP POD,LEFT  
(WIRE ASM 156816-04 REV.B)

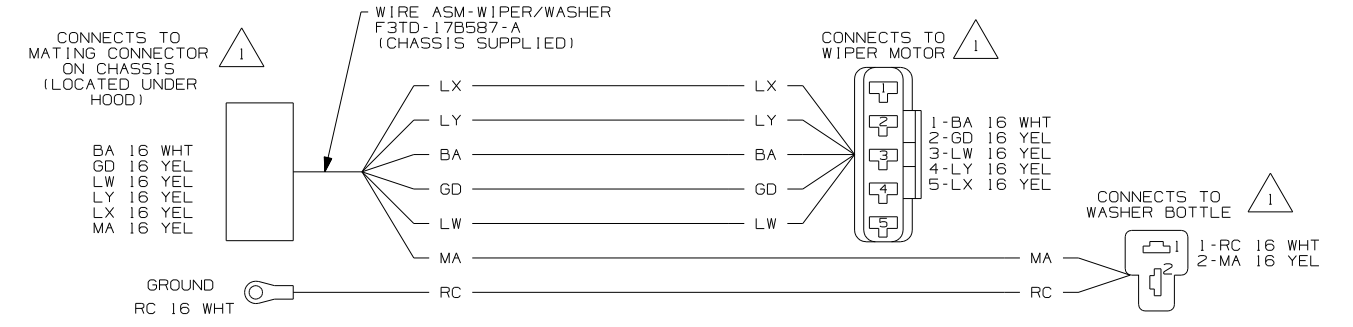


WIRING DIAGRAM-IP POD,LEFT  
(WIRE ASM 156817 REV.B)

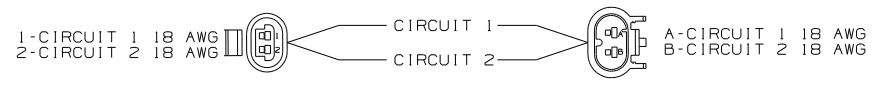
FIRST USED	07 D-SERIES		
TITLE:	DO NOT SCALE DRAWING		
TITLE:	WIRING DIAGRAM-AUTO		
SHEET 3	PART NO	157306	REV
1 8/2/2006			



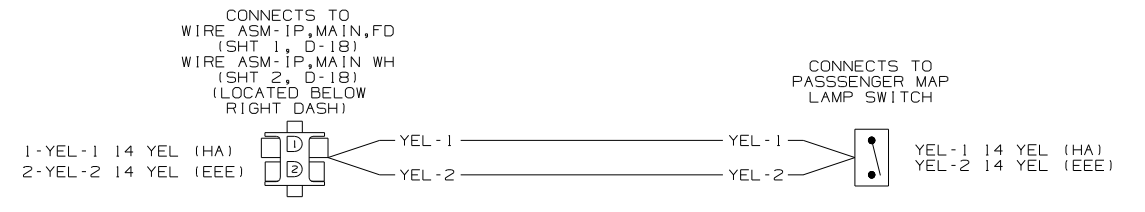
WIRING DIAGRAM-WIPER/WASHER  
(WIRE ASM 126030-01 REV-F)  
(WORKHORSE 22,000#)  
(WORKHORSE 20,700#)



WIRING DIAGRAM-WIPER/WASHER  
(WIRE ASM 111096-03 REV-F)  
(FORD CHASSIS 18,000#/V10 ENG)  
(FORD CHASSIS 20,500#/V10 ENG)



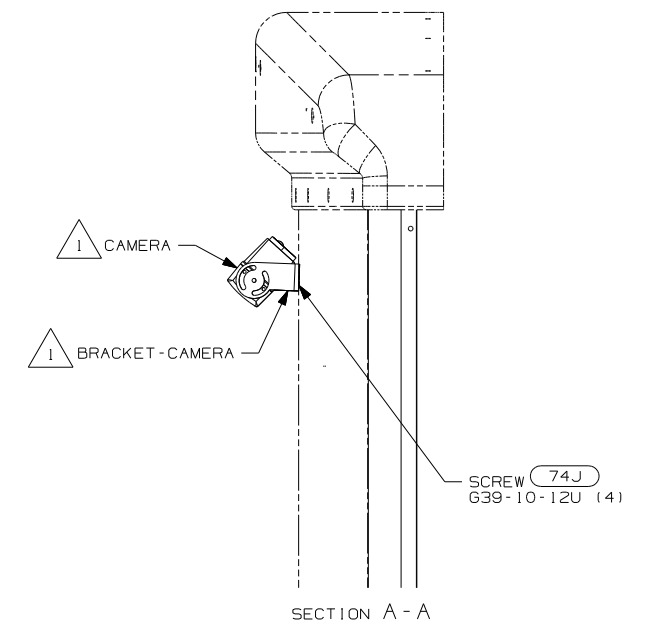
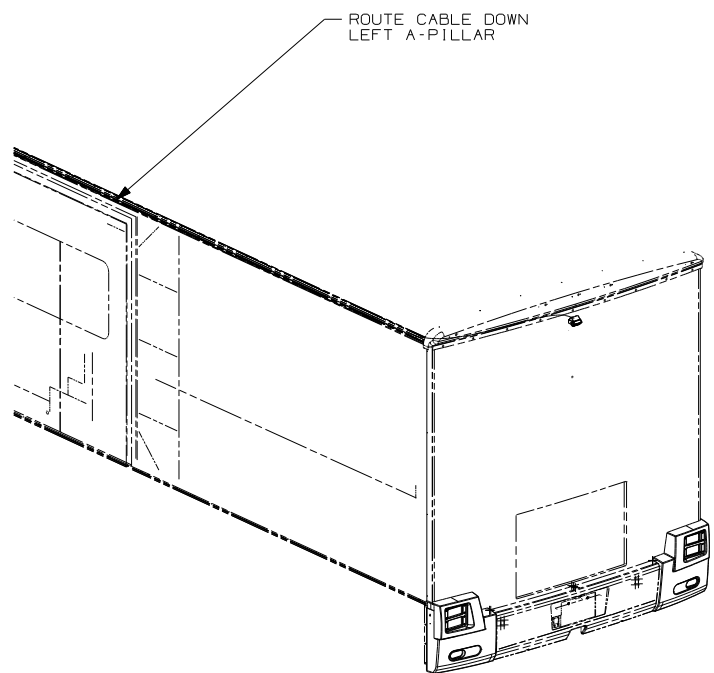
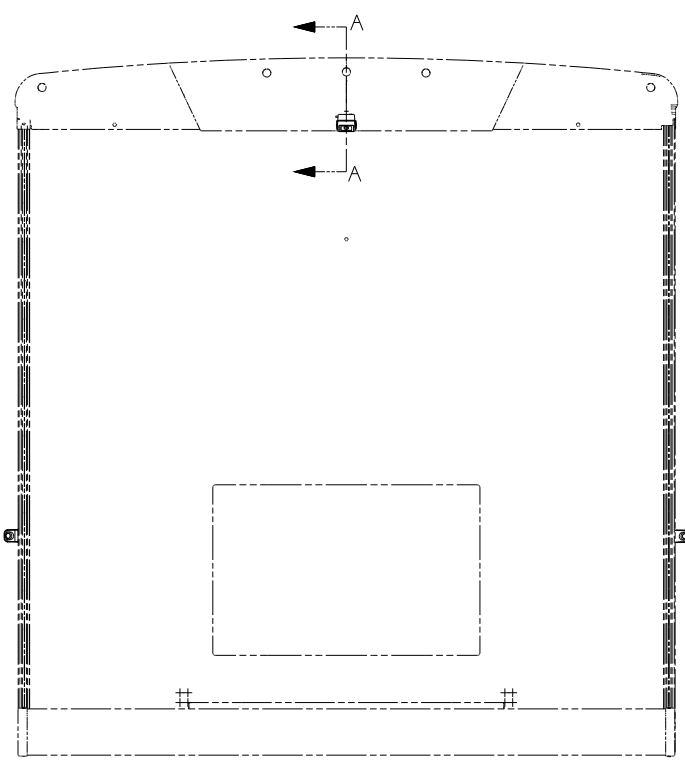
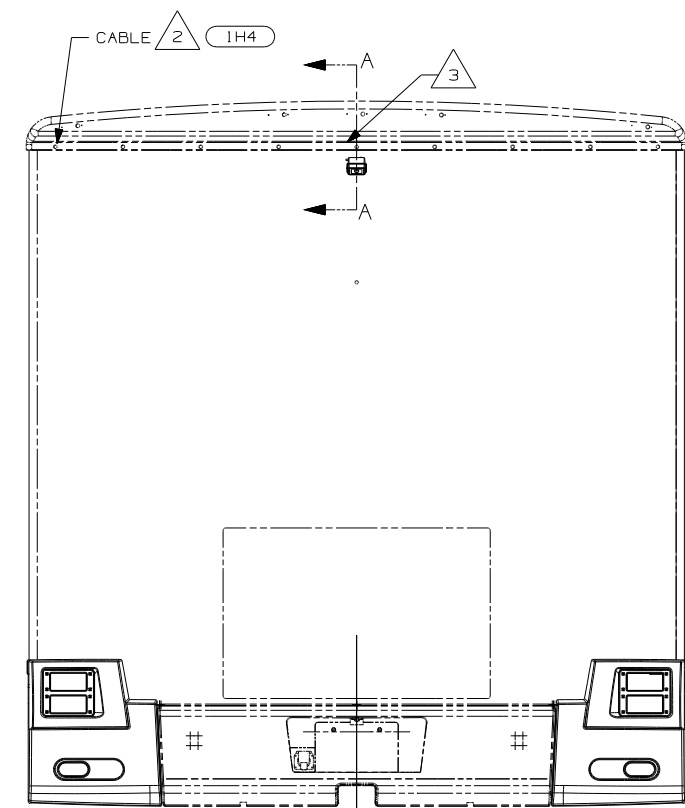
WIRING DIAGRAM-TEMP SENSOR  
(WIRE ASM 147313 REV-C)



WIRING DIAGRAM-SIDEWALL, FRONT  
(WIRE ASM 147579-02 REV-A)

NOTES:  
1 SEE MANUFACTURER'S DIAGRAM FOR ADDITIONAL INFORMATION.

FIRST USED	07 D-SERIES		
TITLE	DO NOT SCALE DRAWING		
	WIRING DIAGRAM-AUTO		
SHEET 4	PART NO	157306	REV



- 74J REARVIEW MONITOR SYSTEM
- 1H4 REARVIEW MONITOR-WIRE PREP
- 1A5 REARVIEW MONITOR SYSTEM W/O

- NOTES:
- 3 END STANDARD CABLE IN THIS AREA ON UNITS WITHOUT MONITOR 1A5 1H4
  - 2 RUN CABLE THRU LEFT-HAND COVE TO REAR OF UNIT. STANDARD ON ALL UNITS WITH 1A5 1H4 74J
  - 1 PARTS SUPPLIED WITH CAMERA KIT P/N 144677-04-000 74J

**WINNEBAGO** COPYRIGHT 2006 WINNEBAGO INDUSTRIES, INC.

DFTR	ORIG. DATE
CHKR	ALL DIMENSIONS ARE IN MILLIMETERS
P.E.	FIRST USED
M.E.	07 D & E-SER
DSNR	

UNSPECIFIED TOLERANCES ARE: MATERIAL:

WHOLE DIM (X) :  
ONE-PLACE (X.X) :  
TWO-PLACE (X.XX) :  
ANGLE :

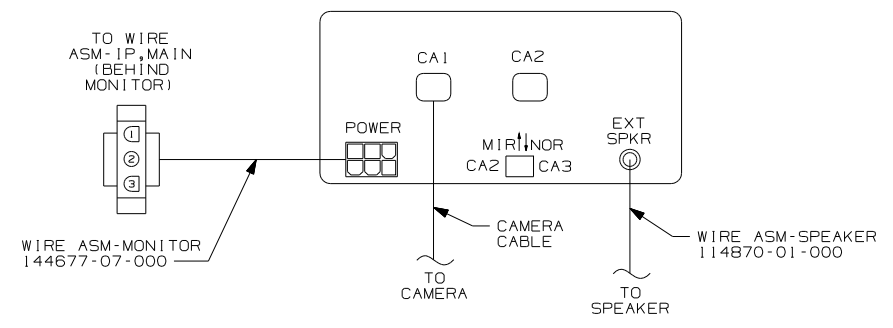
THIRD ANGLE PROJECTION

DO NOT SCALE DRAWING

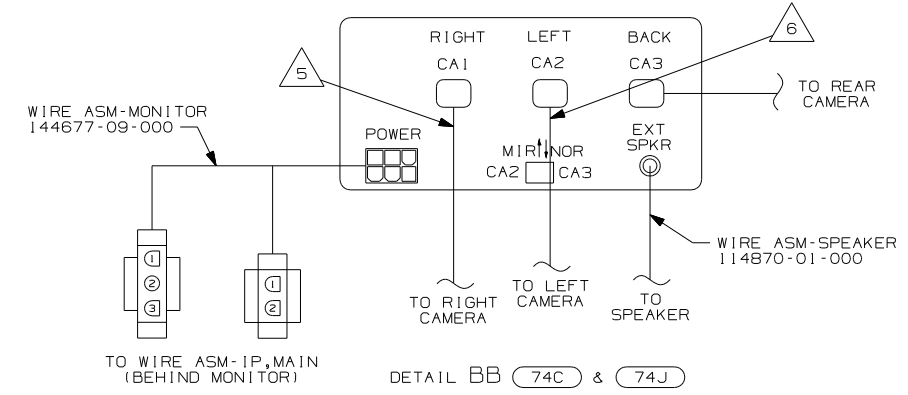
TITLE: MONITOR INSTL

SHEET 1 OF 2 PART NO 156343 REV

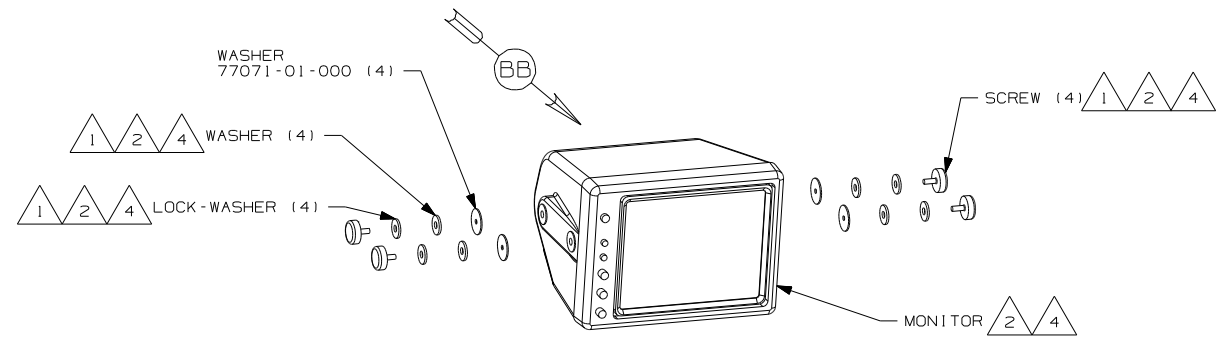
REF: 1 2/5/2007



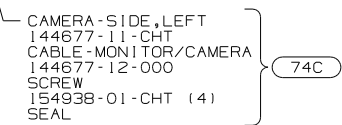
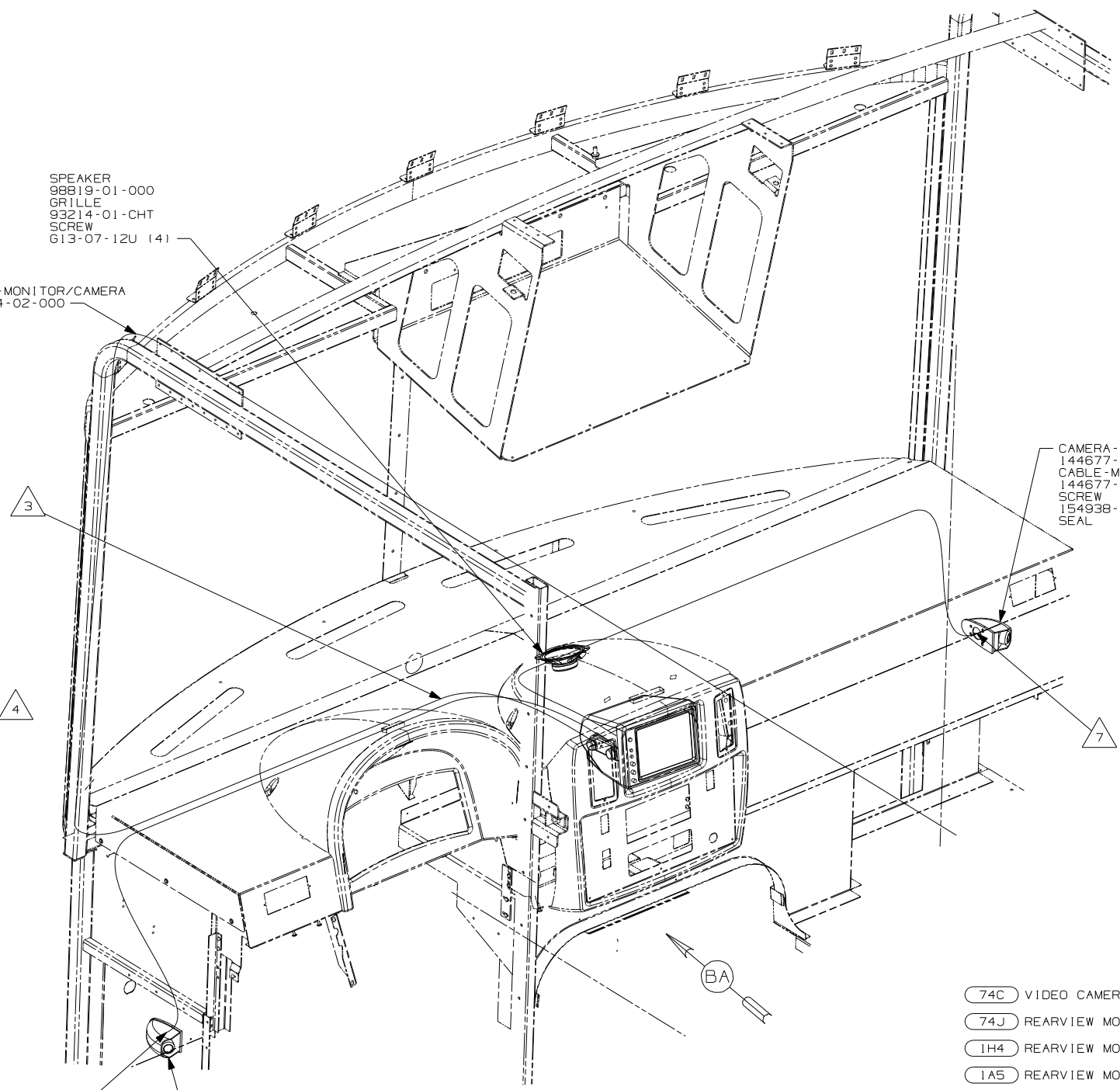
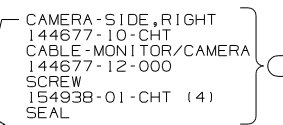
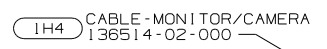
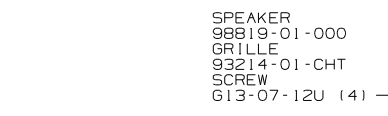
DETAIL BB (74J) ONLY



DETAIL BB (74C) & (74J)



DETAIL BA



- NOTES:
- 7 CONNECT CAMERA THRU HOLE IN SIDEWALL, PUSH CONNECTOR BACK THRU SIDEWALL, AND SEAL HOLE.
  - 6 MARK LEFT CABLE WITH YELLOW TAPE 900000-07-000 NEXT TO CONNECTOR.
  - 5 MARK RIGHT CABLE WITH WHITE TAPE 900000-08-000 NEXT TO CONNECTOR.
  - 4 PARTS SUPPLIED WITH MONITOR P/N 144677-08-000. (74C) & (74J)
  - 3 END CABLE IN THIS AREA ON UNITS W/O MONITOR. (1A5) (1H4)
  - 2 PARTS SUPPLIED WITH MONITOR P/N 144677-06-000. (74J) ONLY.
  - 1 SEE REARVIEW MONITOR KIT INSTALLATION INSTRUCTIONS FOR MORE DETAILS.

- (74C) VIDEO CAMERA SYSTEM
- (74J) REARVIEW MONITOR SYSTEM
- (1H4) REARVIEW MONITOR-WIRE PREP
- (1A5) REARVIEW MONITOR SYSTEM W/O

FIRST USED	07 D & E-SER	
TITLE	DO NOT SCALE DRAWING	
SHEET 2	PART NO	156343
	REV	

8	7	6	5	4	3	2
DRAWING NO.	FEATURES	SHEETS				
157187-01	1PJ 1PL 1PN	1,2,4				
157187-02	16H 16M	1,3,4				

RELEASE REV DATE A 157187  
 REV ZONE REVISION RECORD DATE DFR-016

D-SERIES

	D26P	D29R	D30B	D33T	D34A	D35J
CABLE ASM-CHASSIS GND EXT (BLK)	16H 16M	N/A	133566-12-032	133566-12-019	133566-12-028	133566-12-016
CABLE ASM-CHASSIS POWER EXT (RED)	16H 16M	N/A	141415-32-034	141415-32-018	141415-32-030	141415-32-017
CABLE ASM-CHASSIS BATTERY (RED)	16H 16M	N/A	141415-32-007	141415-32-007	141415-32-007	141415-32-007
CABLE ASM-STARTER (RED)	1PJ 1PL 1PN	141415-35-025	141415-35-034	141415-35-024	141415-35-035	141415-35-017
CABLE ASM-COACH BATTERY (YEL)	16H 16M 1PJ 1PL 1PN	141416-52-016	141416-52-032	141416-52-011	141416-52-025	141416-52-015
CABLE ASM-COACH BATTERY GND (BLK)	16H 16M 1PJ 1PL 1PN	133567-12-008	133567-12-008	133567-12-008	133567-12-008	133567-12-008
CABLE ASM-CHASSIS BATTERY (PUR)	16H 16M 1PJ 1PL 1PN	141415-12-015	141415-12-026	141415-12-008	141415-12-018	141415-12-015
CABLE ASM-GENERATOR (GRN)	16H 16M 1PJ 1PL 1PN	141415-42-072	141415-42-083	141415-42-082	141415-42-092	141415-42-097
CABLE ASM-GENERATOR GND (BLK)	16H 16M 1PJ 1PL 1PN	133566-12-008	133566-12-008	133566-12-008	-----	-----
LEVELING SYSTEM POWER CABLE (BLU)	60M	141415-22-037	141415-22-049	141415-22-037	141415-22-043	141415-22-040
LEVELING SYSTEM GND CABLE (BLK)	60M	133566-11-008	133566-11-008	133566-11-008	133566-11-008	133566-11-008

E-SERIES

	E30B	E33T
CABLE ASM-CHASSIS GND EXT (BLK)	16H 16M	133566-12-019
CABLE ASM-CHASSIS POWER EXT (RED)	16H 16M	141415-32-018
CABLE ASM-CHASSIS BATTERY (RED)	16H 16M	141415-32-007
CABLE ASM-STARTER (RED)	1PL	-----
CABLE ASM-COACH BATTERY (YEL)	16H 16M 1PL	141416-52-011
CABLE ASM-COACH BATTERY GND (BLK)	16H 16M 1PL	133567-12-008
CABLE ASM-CHASSIS BATTERY (PUR)	16H 16M 1PL	141415-12-008
CABLE ASM-GENERATOR (GRN)	16H 16M 1PL	141415-42-082
CABLE ASM-GENERATOR GND (BLK)	16H 16M 1PL	133566-12-008
LEVELING SYSTEM POWER CABLE (BLU)	64H	141415-22-037
LEVELING SYSTEM GND CABLE (BLK)	64H	133566-11-008

- 64H HYDRAULIC LEVELING JACKS
- 60M HYDRAULIC LEVEL JACKS-AUTO
- 1PN WORKHORSE 20,700#
- 1PL WORKHORSE 18,000# GVWR (W18)
- 1PJ WORKHORSE 16,000# GVWR (W16)
- 16M FORD CHASSIS 20,500#/V10 ENG
- 16H FORD CHASSIS 18,000#/V10 ENG
- 265 CODES/STANDARDS-CSA/CMVSS
- 1B1 CODES/STANDARDS USA

**WINNEBAGO** COPYRIGHT 2006 WINNEBAGO INDUSTRIES, INC.

DFTR	ORIG. DATE
CHKR	ALL DIMENSIONS ARE IN MILLIMETERS
P.E.	
M.E.	FIRST USED
DSNR	07 D & E-SERIES
UNSPECIFIED TOLERANCES ARE:	MATERIAL:
WHOLE DIM (X)	: 3
ONE-PLACE (X.X)	: 1.5
TWO-PLACE (X.XX)	: 0.50
ANGLE	: 1°
THIRD ANGLE PROJECTION	

DO NOT SCALE DRAWING

TITLE: BATTERY INSTL

SHEET 1 of 4 PART NO 157187 REV

REF: 1 5/15/2007

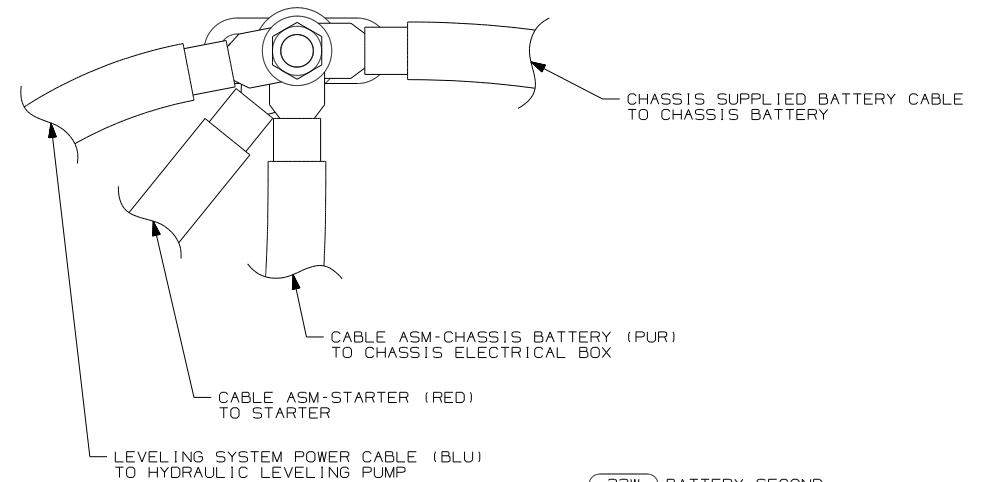
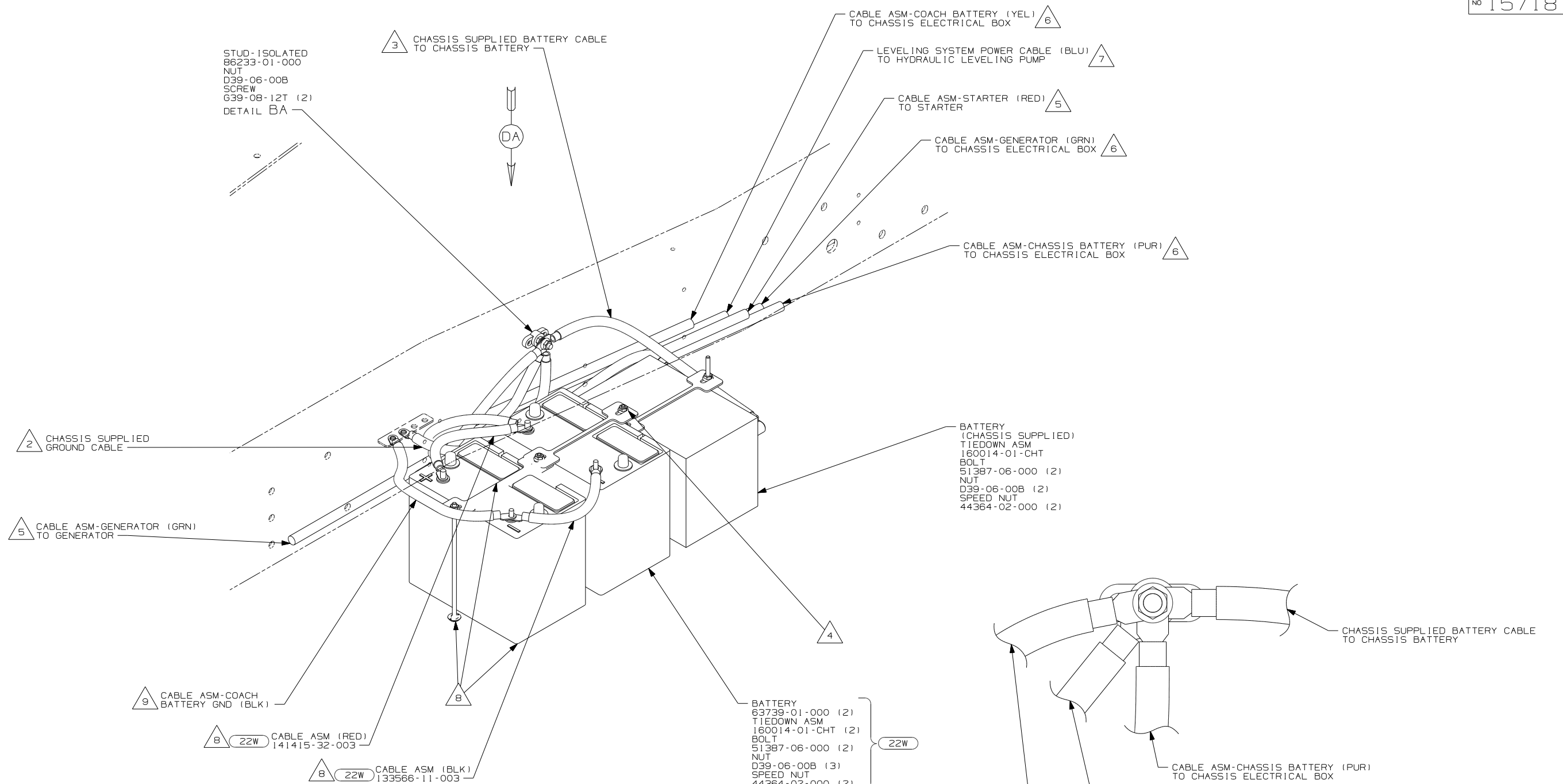
1 BATTERY CABLES MUST BE INSTALLED TO STARTER MOTOR BEFORE ENGINE WIRING HARNESS AND ROUTED IN SUCH A MANNER AS TO PREVENT ANY POSSIBLE DEGRADATION FROM THE EXHAUST SYSTEM.

FOR ELECTRICAL TORQUE SPECIFICATIONS SEE DWG NO. 128783-01-000

FOR ELECTRICAL CALLOUTS SEE DWG NO. 121339-01-000



STUD-ISOLATED  
86233-01-000  
NUT  
D39-06-00B  
SCREW  
639-08-12T (2)  
DETAIL BA



- 9 CONNECTS TO CENTER BATTERY WITH 12X
- 8 NOT USED WITH 12X
- 7 SEE LEVELING SYSTEM INSTL FOR ADDITIONAL INFORMATION.
- 6 SEE CHASSIS ELECTRICAL BOX ASM FOR ADDITIONAL INFORMATION.
- 5 SEE WIRING INSTL-CHASSIS FOR ADDITIONAL INFORMATION.
- 4 USE TWO NUTS HERE TO ACCOUNT FOR BATTERY HEIGHT DIFFERENCE.
- 3 LOCATE CHASSIS SUPPLIED POSITIVE CABLE, REDUCE LENGTH TO 700MM AND ADD TERMINAL 68070-01-000 TO THE CUT END.
- 2 LOCATE CHASSIS SUPPLIED GROUND CABLE, REDUCE LENGTH TO 700MM AND ADD TERMINAL 8348-01-000 TO THE CUT END.
- 1 SUPPLIED WITH CHASSIS.

NOTES:

BATTERY BOX  
(WORKHORSE)

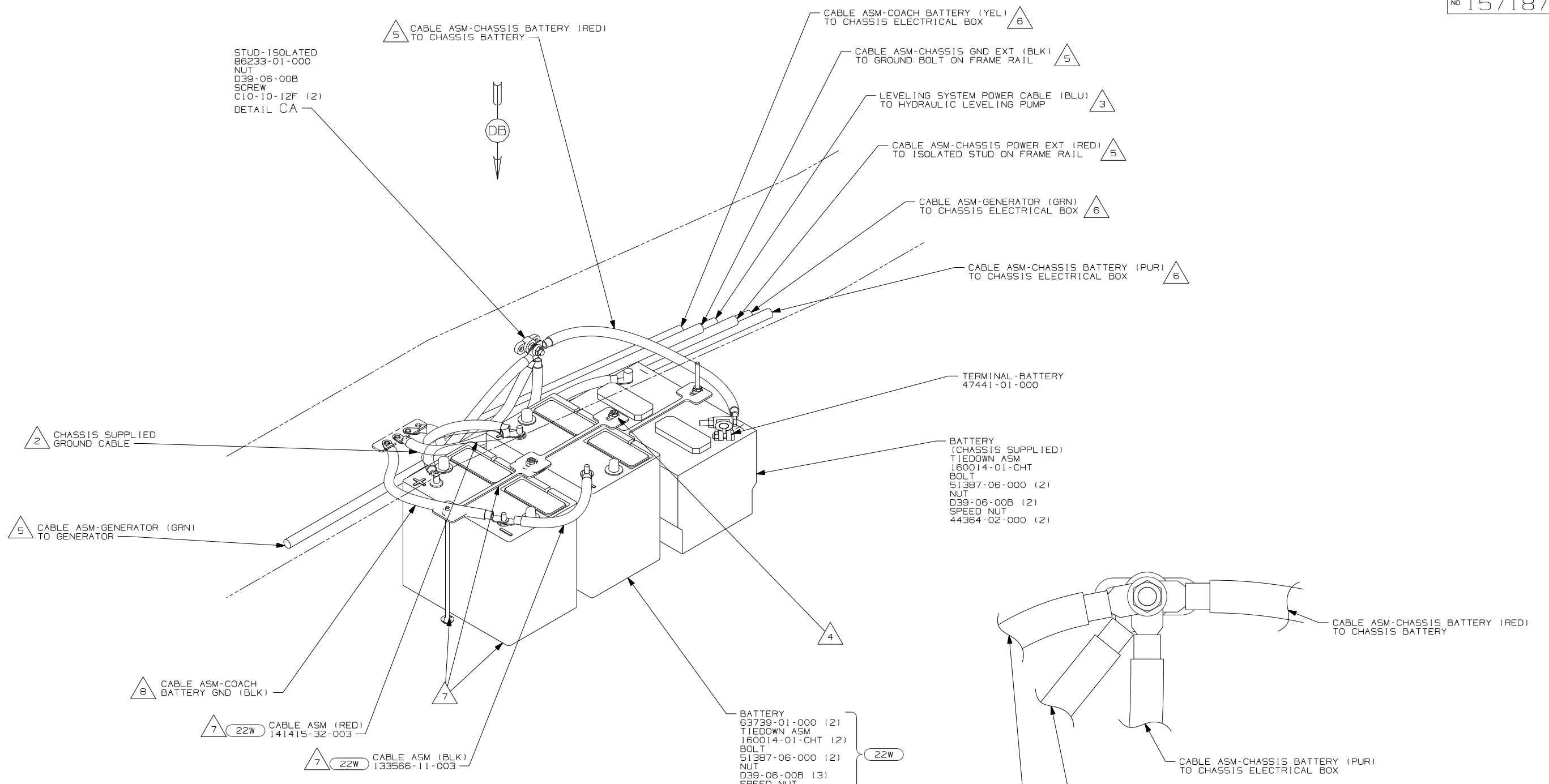
- BATTERY 63739-01-000 (2)
- TIEDOWN ASM 160014-01-000 (2)
- BOLT 51387-06-000 (2)
- NUT D39-06-00B (3)
- SPEED NUT 44364-02-000 (2)
- BATTERY 63739-01-000
- TIEDOWN ASM 160014-01-000
- BOLT 51387-06-000
- NUT D39-06-00B (2)
- SPEED NUT 44364-02-000

- 22W BATTERY-SECOND
- 12X BATTERY-ONE
- 265 CODES/STANDARDS-CSA/CMVSS
- 1B1 CODES/STANDARDS USA

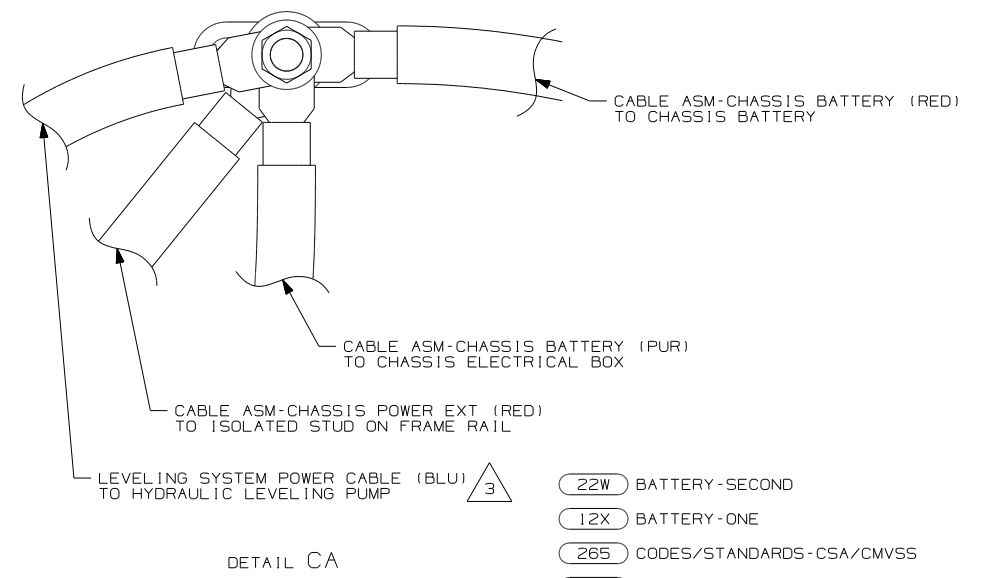
FOR ELECTRICAL TORQUE SPECIFICATIONS SEE DWG NO. 128783-01-000

FOR ELECTRICAL CALLOUTS SEE DWG NO. 121339-01-000

FIRST USED	
07 D & E-SERIES	
DO NOT SCALE DRAWING	
TITLE: BATTERY INSTL	
SHEET 2	PART NO 157187 REV



BATTERY BOX (FORD)



- 8 CONNECTS TO CENTER BATTERY WITH 12X
- 7 NOT USED WITH 12X
- 6 SEE CHASSIS ELECTRICAL BOX ASM FOR ADDITIONAL INFORMATION.
- 5 SEE WIRING INSTL-CHASSIS FOR ADDITIONAL INFORMATION.
- 4 USE TWO NUTS HERE TO ACCOUNT FOR BATTERY HEIGHT DIFFERENCE.
- 3 SEE LEVELING SYSTEM INSTL FOR ADDITIONAL INFORMATION.
- 2 LOCATE CHASSIS SUPPLIED GROUND CABLE, REDUCE LENGTH TO 700MM AND ADD TERMINAL 8348-01-000 TO THE CUT END.
- 1 SUPPLIED WITH CHASSIS.

NOTES:

FOR ELECTRICAL TORQUE SPECIFICATIONS SEE DWG NO. 128783-01-000

FOR ELECTRICAL CALLOUTS SEE DWG NO. 121339-01-000

- 22W BATTERY-SECOND
- 12X BATTERY-ONE
- 265 CODES/STANDARDS-CSA/CMVSS
- 1B1 CODES/STANDARDS USA

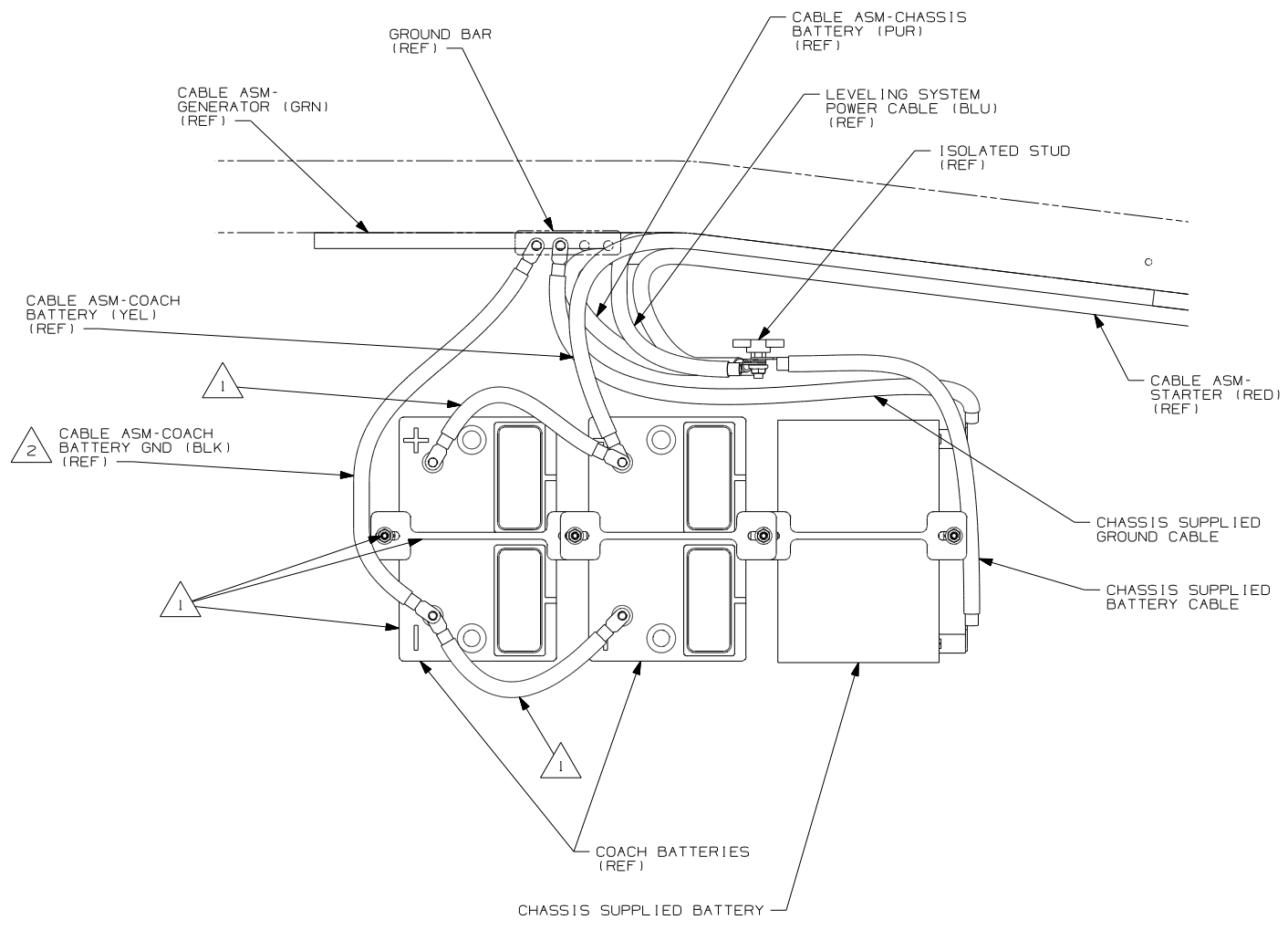
FIRST USED	07 D & E-SERIES
TITLE	BATTERY INSTL
SHEET 3	PART NO 157187
REV 1 5/15/2007	

D

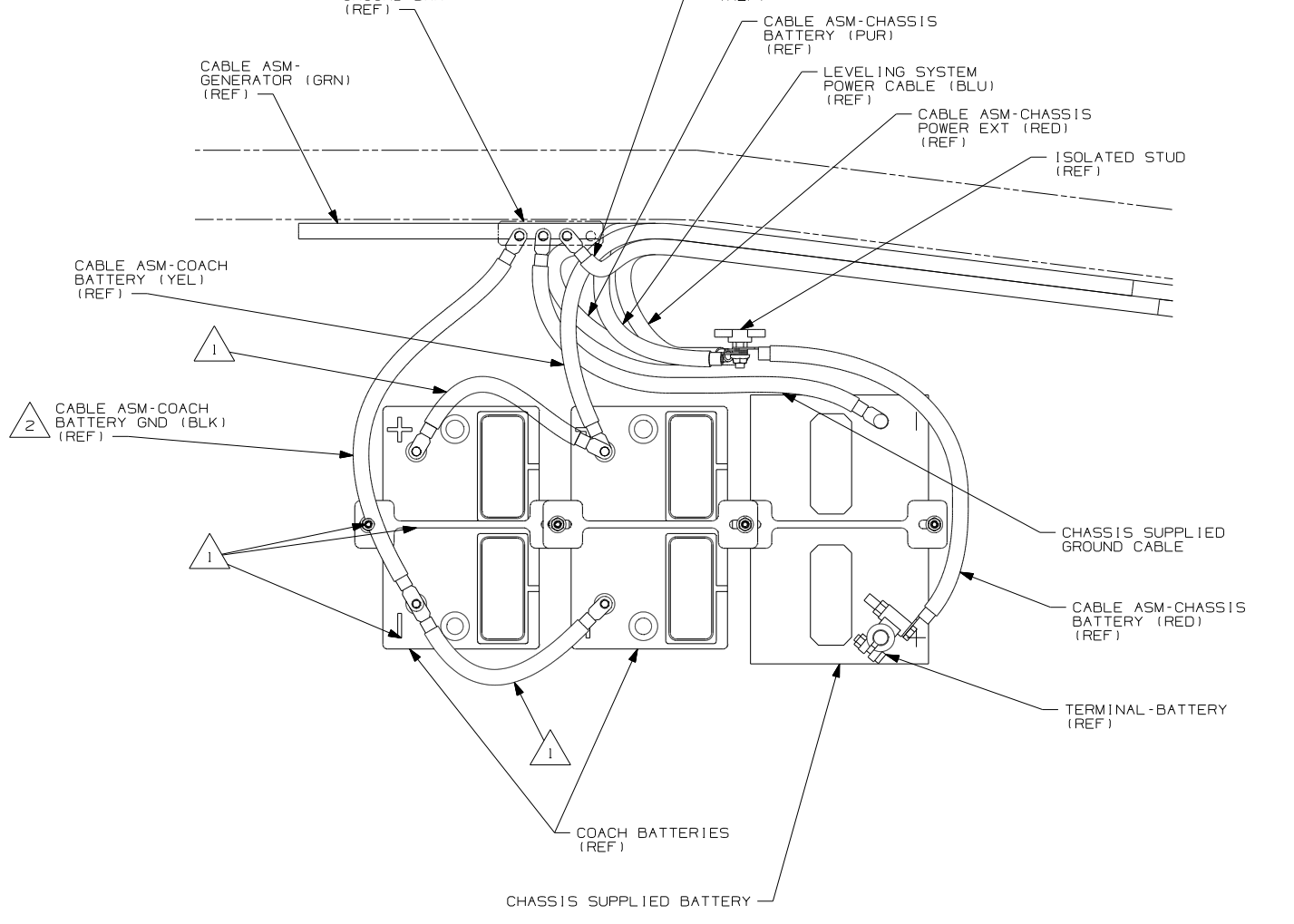
C

B

A



VIEW DA  
(WORKHORSE)



VIEW DB  
(FORD)

- NOTES:
- △ 2 CONNECTS TO CENTER BATTERY WITH 12X
  - △ 1 NOT USED WITH 12X

FOR ELECTRICAL TORQUE SPECIFICATIONS SEE DWG NO. 128783-01-000

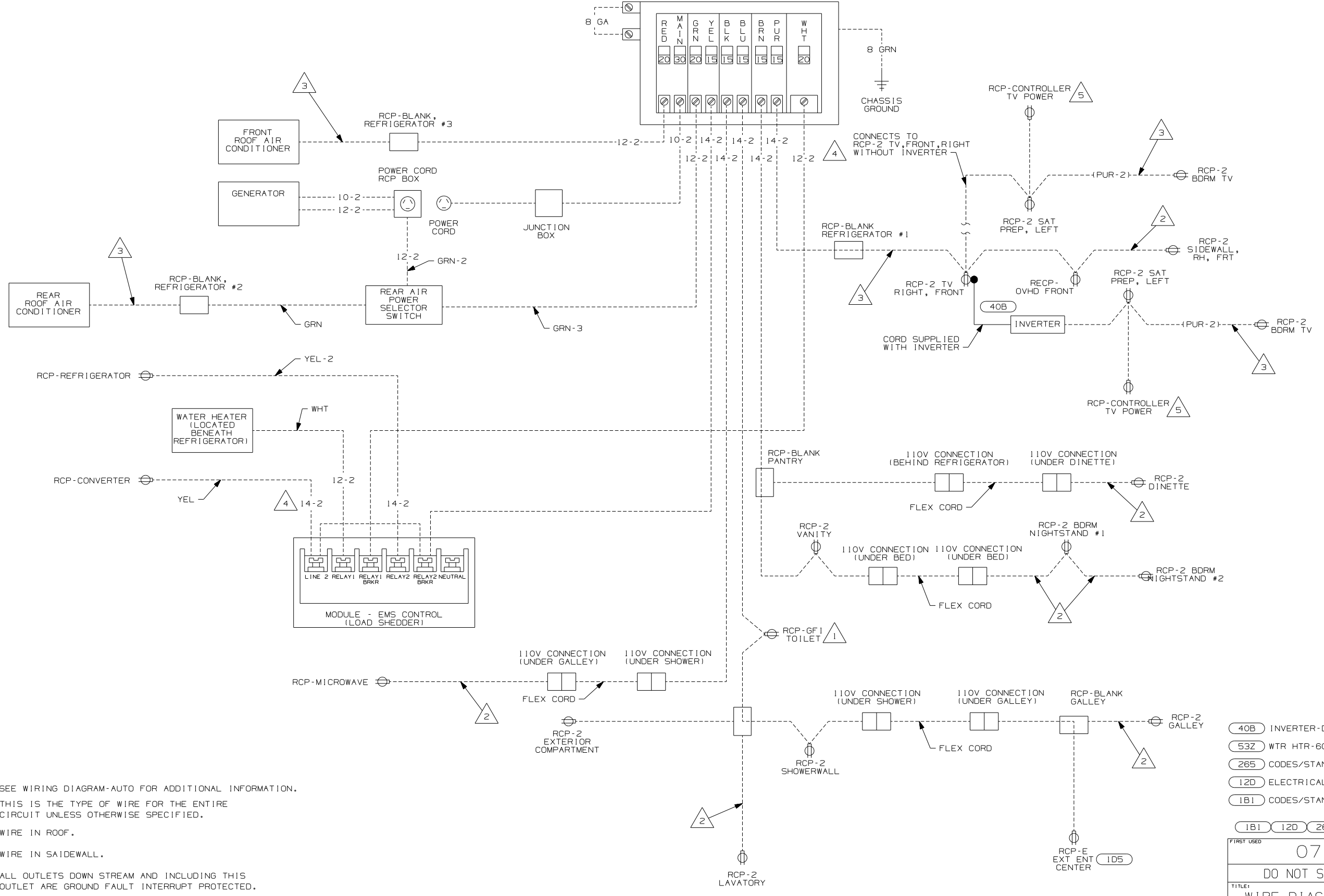
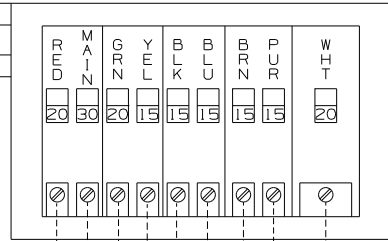
FOR ELECTRICAL CALLOUTS SEE DWG NO. 121339-01-000

- 12X BATTERY-ONE
- 265 CODES/STANDARDS-CSA/CMVSS
- 1B1 CODES/STANDARDS USA

1B1 265	
FIRST USED	
07 D & E-SERIES	
DO NOT SCALE DRAWING	
TITLE: BATTERY INSTL	
SHEET 4	PART NO 157187 REV



LOAD CENTER



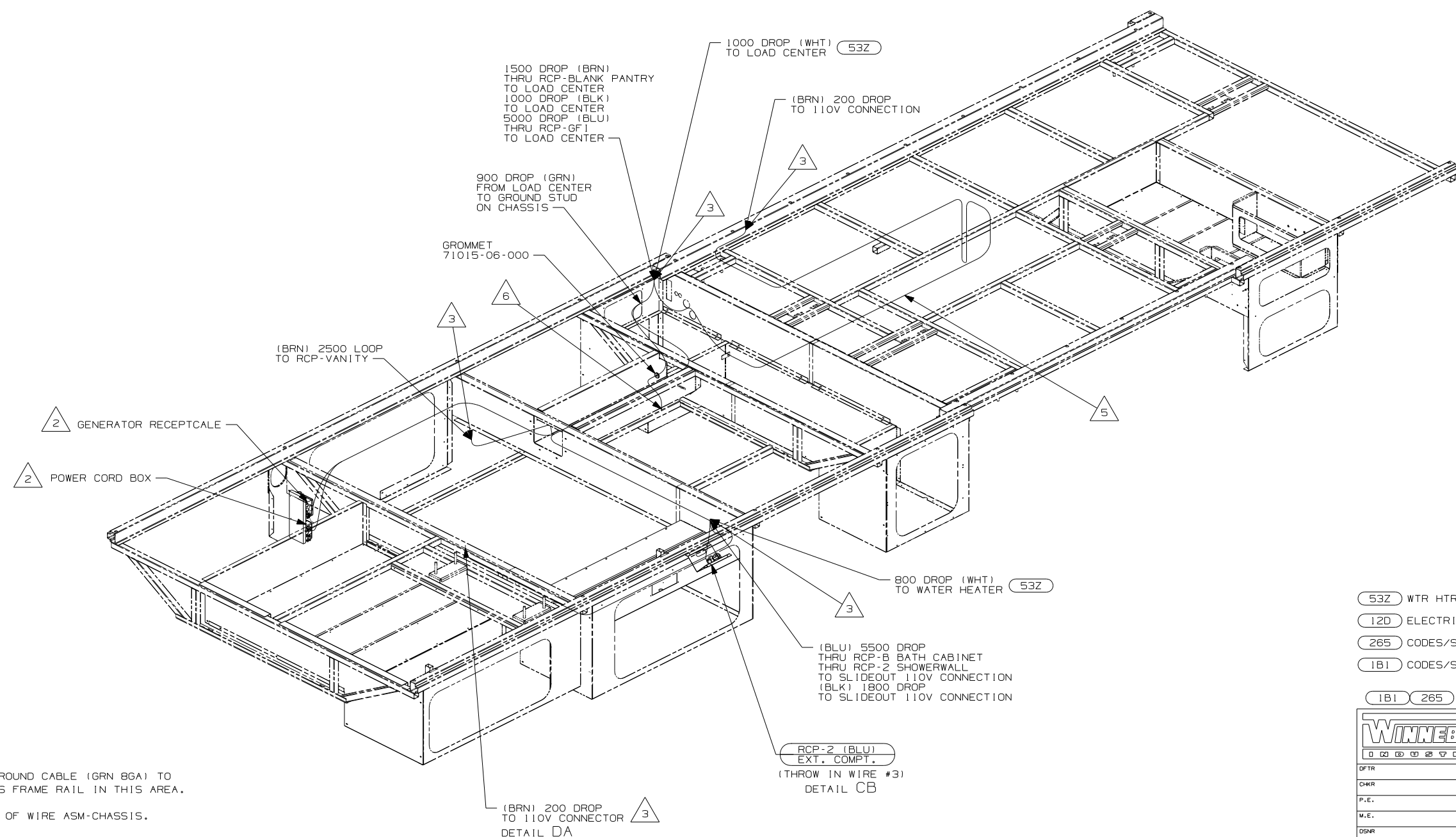
- NOTES:
- 5 SEE WIRING DIAGRAM-AUTO FOR ADDITIONAL INFORMATION.
  - 4 THIS IS THE TYPE OF WIRE FOR THE ENTIRE CIRCUIT UNLESS OTHERWISE SPECIFIED.
  - 3 WIRE IN ROOF.
  - 2 WIRE IN SAIDEWALL.
  - 1 ALL OUTLETS DOWN STREAM AND INCLUDING THIS OUTLET ARE GROUND FAULT INTERRUPT PROTECTED.

- 40B INVERTER-DC/AC, 300 WATT
- 53Z WTR HTR-6GAL/110/LP/MTR/AUTO
- 265 CODES/STANDARDS-CSA/CMVSS
- 12D ELECTRICAL SYSTEM 30 AMP
- 1B1 CODES/STANDARDS USA

FIRST USED	07 D34A
TITLE	DO NOT SCALE DRAWING
	WIRE DIAGRAM-BODY, 110V
SHEET 2	PART NO 159384 REV

DRAWING NO.	FEATURE
159381-11	(1B1) (12D)
159381-15	(265) (12D)

RELEASE	REV DATE	DWG NO	159381
REV ZONE	REVISION RECORD	DATE	DFTR-0R16



- 6 CONNECT LOAD CENTER GROUND CABLE (GRN 8GA) TO GROUND BOLT ON CHASSIS FRAME RAIL IN THIS AREA.
- 5 SLIDEOUT WIRE IS PART OF WIRE ASM-CHASSIS.
- 4. ALL WIRES TO BE SECURED WITH CLAMP 10495 OR 10497 OR WIRE TIE 8343 OR 108046 EVERY 600MM, USE SCREW G67-XX-XXX OR G56-XX-XXX AS APPROPRIATE FOR INSTALLATION.
- 3 WIRE ROUTES THRU FLOOR IN THIS AREA.
- 2 SEE LOAD CENTER/ATS FOR ADDITIONAL INFORMATION.
- 1. WIRES ROUTED UNDER FLOOR.

- (53Z) WTR HTR-6GAL/110/LP/MTR/AUTO
- (12D) ELECTRICAL SYSTEM 30 AMP
- (265) CODES/STANDARDS-CSA/CMVSS
- (1B1) CODES/STANDARDS USA
- (1B1) (265)

**WINNEBAGO** COPYRIGHT 2006 WINNEBAGO INDUSTRIES, INC.

DFTR	ORIG. DATE
CHKR	ALL DIMENSIONS ARE IN MILLIMETERS
P.E.	
M.E.	FIRST USED
DSNR	07 D34A
UNSPECIFIED TOLERANCES ARE:	MATERIAL:
HOLE DIM (X)	: 3
ONE-PLACE (X.X)	: 1.5
TWO-PLACE (X.XX)	: 0.50
ANGLE	: 1°
THIRD ANGLE PROJECTION	

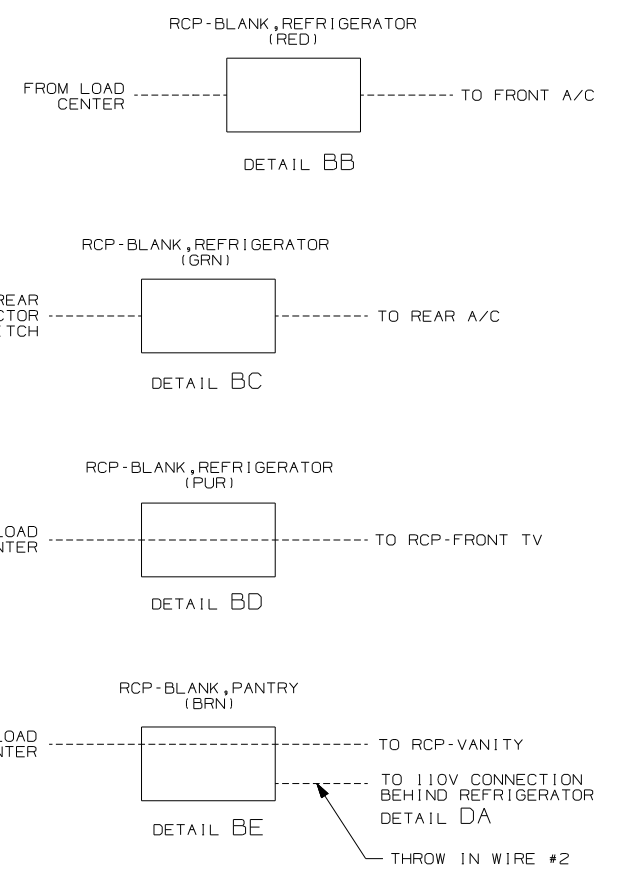
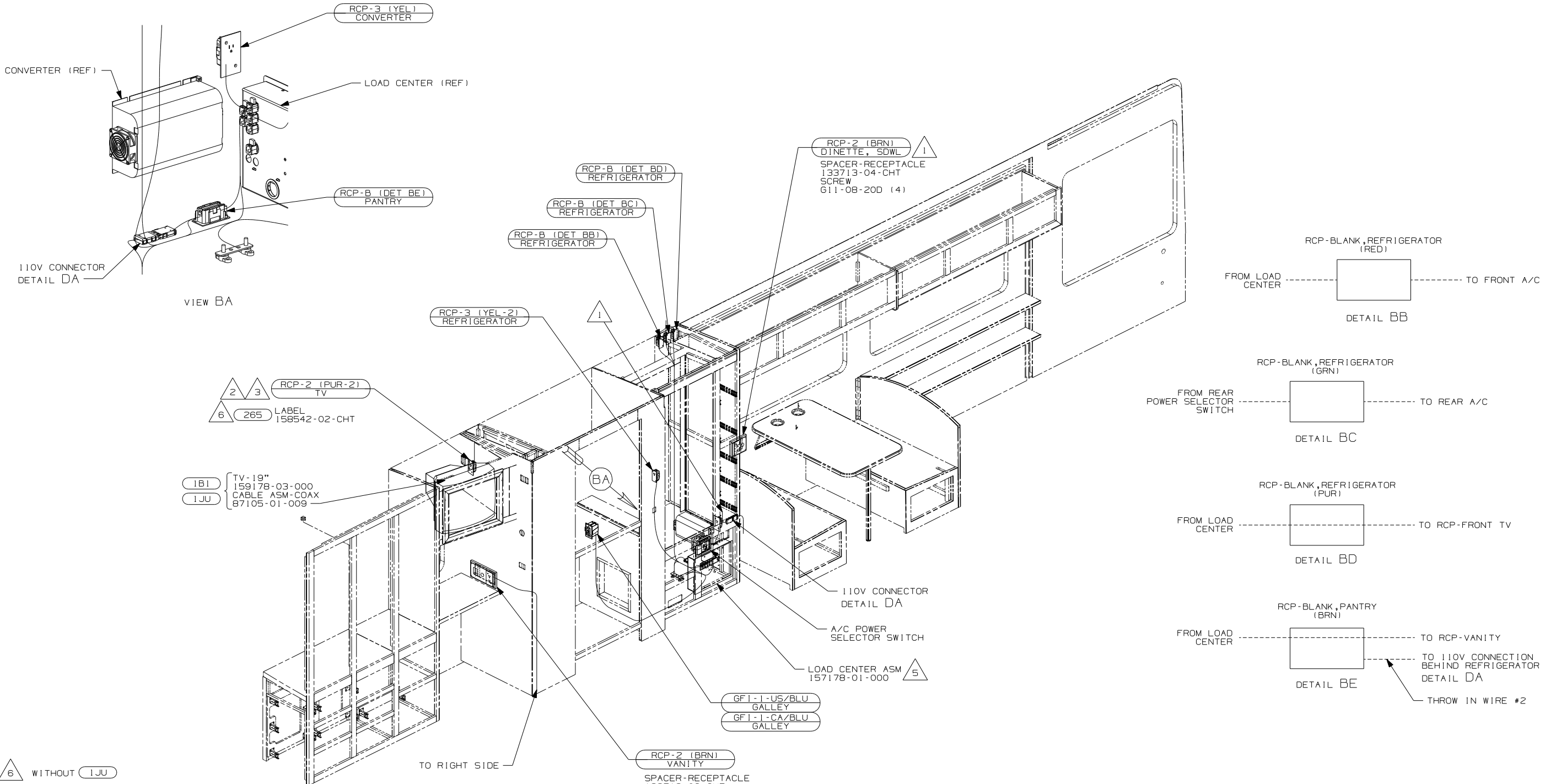
FOR ELECTRICAL TORQUE SPECIFICATIONS SEE DWG NO. 128783-01-000

(X-X) FOR ELECTRICAL CALLOUTS SEE DWG NO. 121339-01-000

DO NOT SCALE DRAWING

TITLE: WIRING INSTL-BODY, 110V

SHEET 1 of 4 PART NO 159381 REV



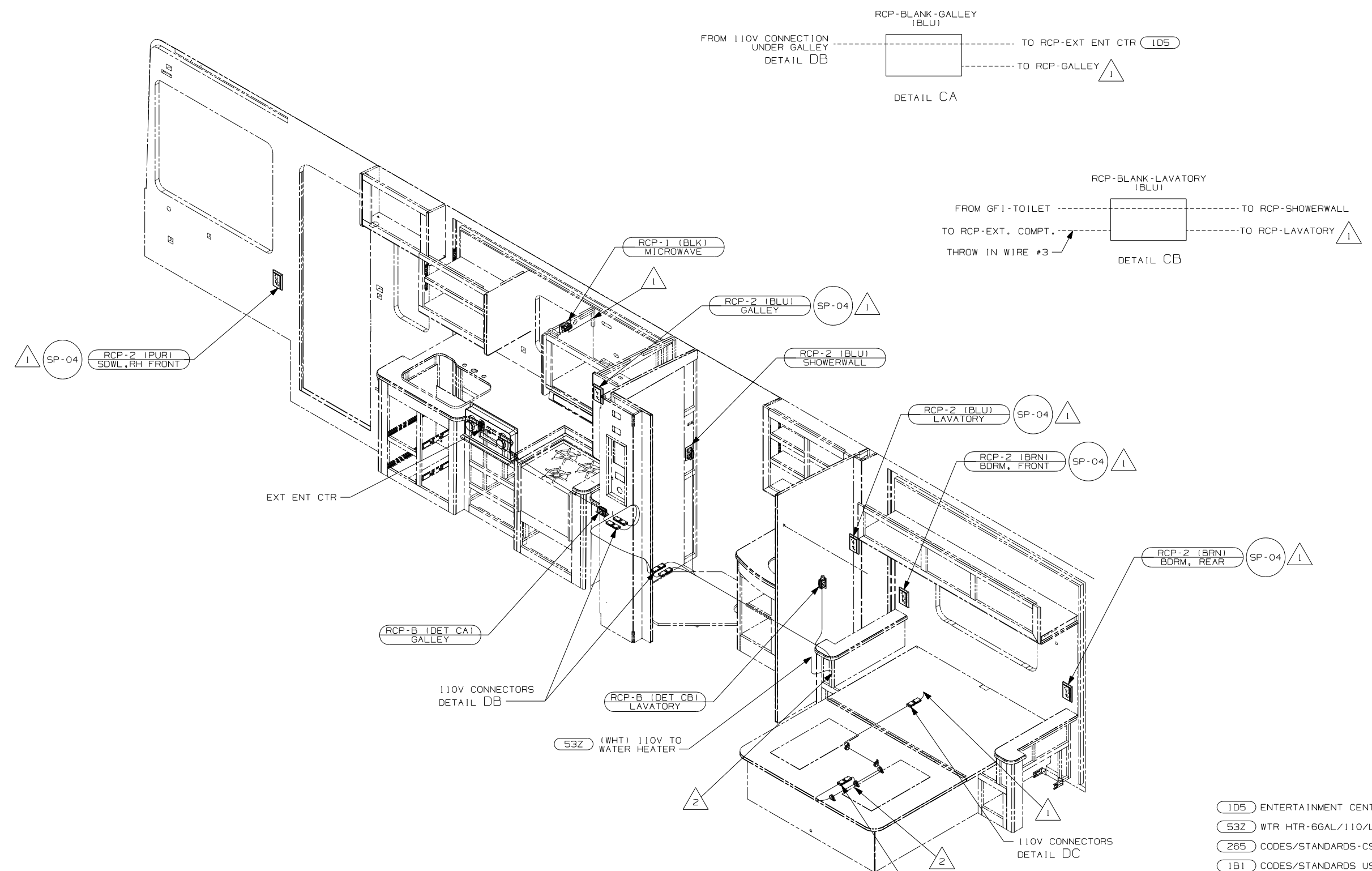
- NOTES:
- 6 WITHOUT IJU
  - 5 LOAD CENTER GROUND MUST BE ATTACHED DIRECTLY TO CHASSIS GROUND
  - 4. ALL WIRES TO BE SECURED WITH CLAMP 10495 OR 10497 OR WIRE TIE 8343 OR 108046 EVERY 600MM, USE SCREW G67-XX-XXX OR G56-XX-XXX AS APPROPRIATE FOR INSTALLATION.
  - 3 RCP-2 MOVES TO CABINET ASM-WARDROBE WITH FEATURE IJU
  - 2 WIRE ROUTED IN ROOF.
  - 1 WIRE ROUTED IN SIDEWALL.

- IJU TV (REAR)-19"COLOR, STEREO
- 265 CODES/STANDARDS-CSA/CMVSS
- IB1 CODES/STANDARDS USA

FIRST USED	
07 D34A	
DO NOT SCALE DRAWING	
TITLE: WIRING INSTL-BODY, 110V	
SHEET 2	PART NO 159381 REV

FOR ELECTRICAL TORQUE SPECIFICATIONS SEE DWG NO. 128783-01-000

FOR ELECTRICAL CALLOUTS SEE DWG NO. 121339-01-000



3. ALL WIRES TO BE SECURED WITH CLAMP 10495 OR 10497 OR WIRE TIE 8343 OR 108046 EVERY 600MM, USE SCREW G67-XX-XXX OR G56-XX-XXX AS APPROPRIATE FOR INSTALLATION.

- 2 WIRE ROUTED THRU FLOOR IN THIS AREA.
- 1 WIRE IN SIDEWALL.

NOTES:

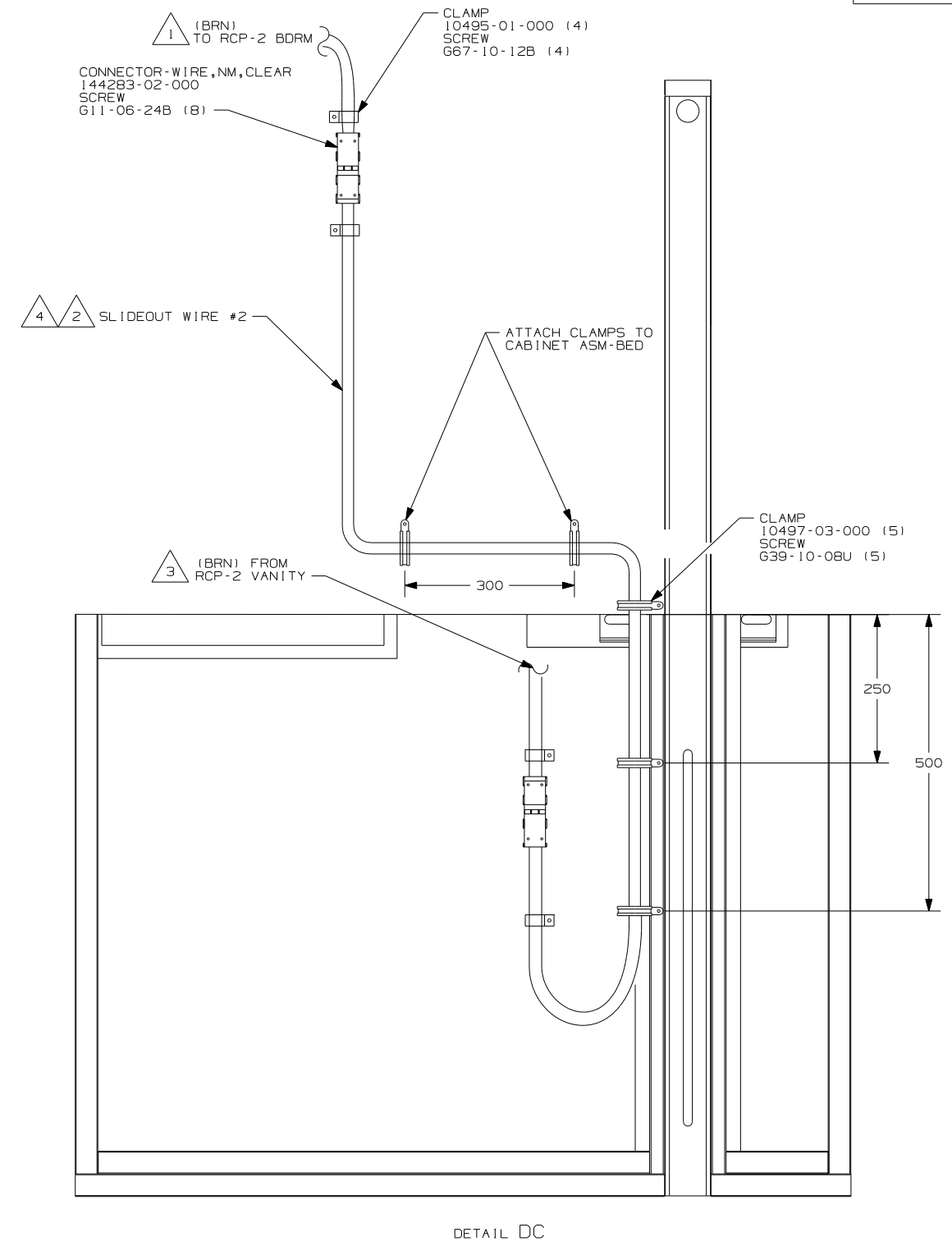
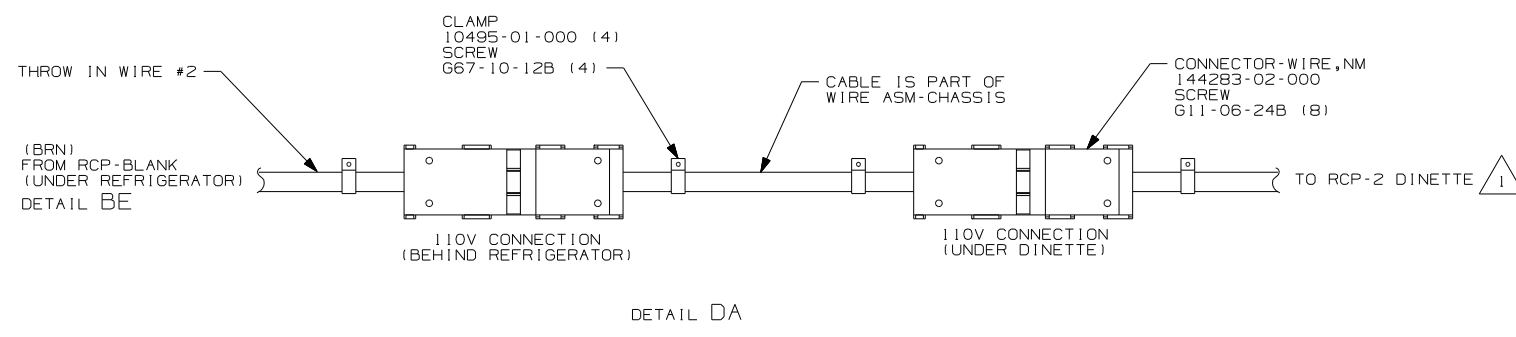
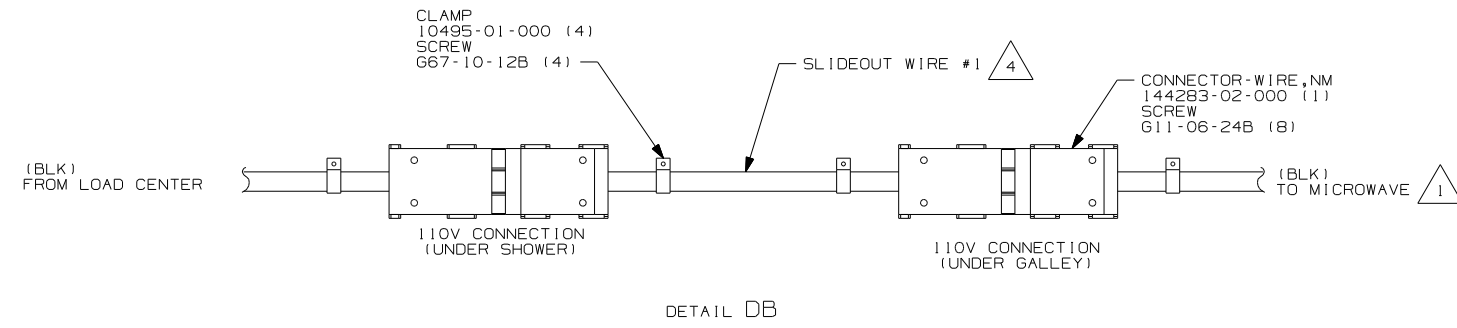
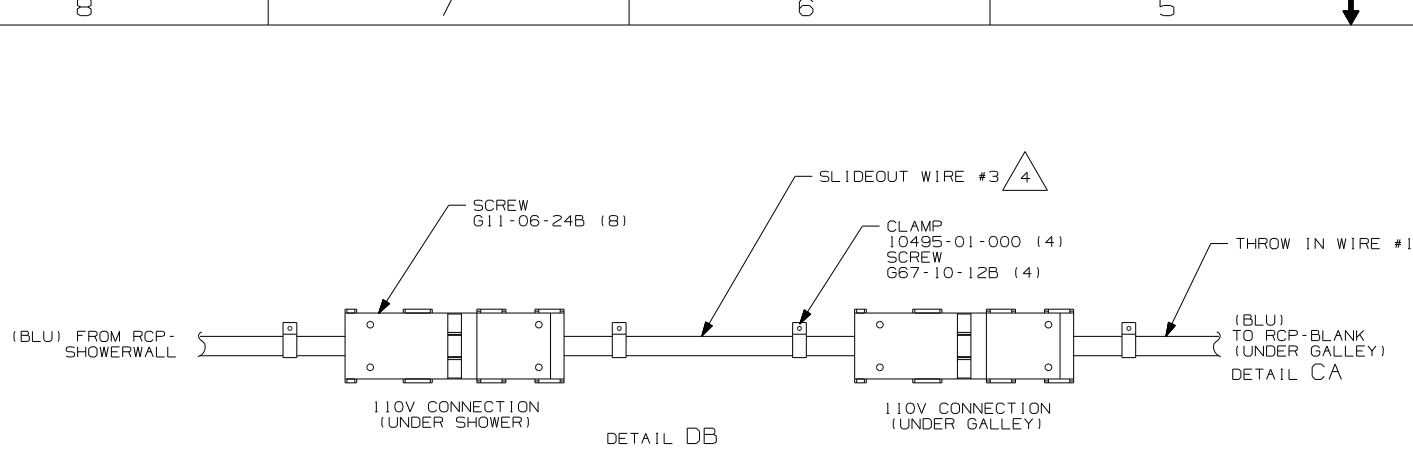
FOR ELECTRICAL TORQUE SPECIFICATIONS SEE DWG NO. 128783-01-000

FOR ELECTRICAL CALLOUTS SEE DWG NO. 121339-01-000

- 105 ENTERTAINMENT CENTR/EXT W/CD
- 53Z WTR HTR-66AL/110/LP/MTR/AUTO
- 265 CODES/STANDARDS-CSA/CMVSS
- 1B1 CODES/STANDARDS USA

FIRST USED	07 D34A
TITLE	DO NOT SCALE DRAWING
	WIRING INSTL-BODY, 110V
SHEET 3	PART NO 159381 REV



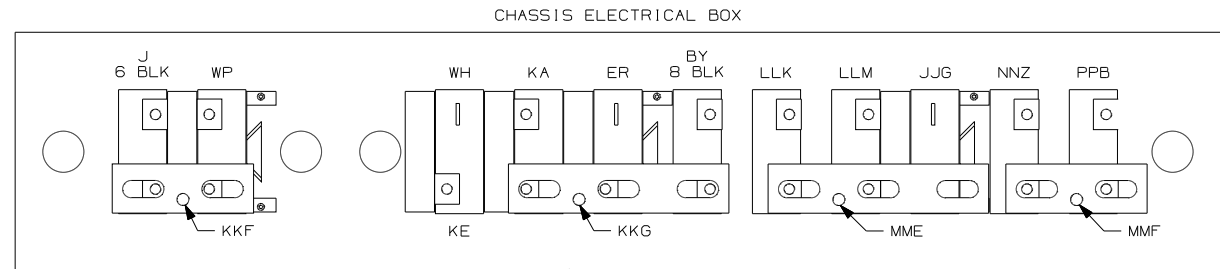


- NOTES:
- 5 MAKE LOOP AS SMALL AS POSSIBLE WHEN SLIDEOUT IS COMPLETELY RETRACTED.
  - 4 SEE LOAD CENTER/ATS ASM FOR ADDITIONAL INFORMATION.
  - 3 WIRE IS ROUTED THROUGH FLOOR.
  - 2 RUN 12V LOOM THROUGH CLAMPS WITH SLIDEOUT WIRE #2.
  - 1 WIRE ROUTED IN SIDEWALL.

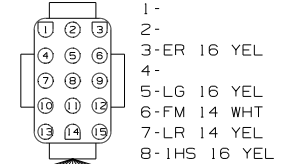
FOR ELECTRICAL TORQUE SPECIFICATIONS SEE DWG NO. 128783-01-000

FOR ELECTRICAL CALLOUTS SEE DWG NO. 121339-01-000

FIRST USED		07 D34A	
DO NOT SCALE DRAWING			
TITLE: WIRING INSTL-BODY, 110V			
SHEET 4	PART NO	159381	REV



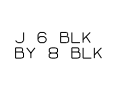
CONNECTS TO WIRE ASM-CHASSIS (SHT 2, A-6) (LOCATED IN ELECTRICAL BOX FRONT RIGHT COMPT)



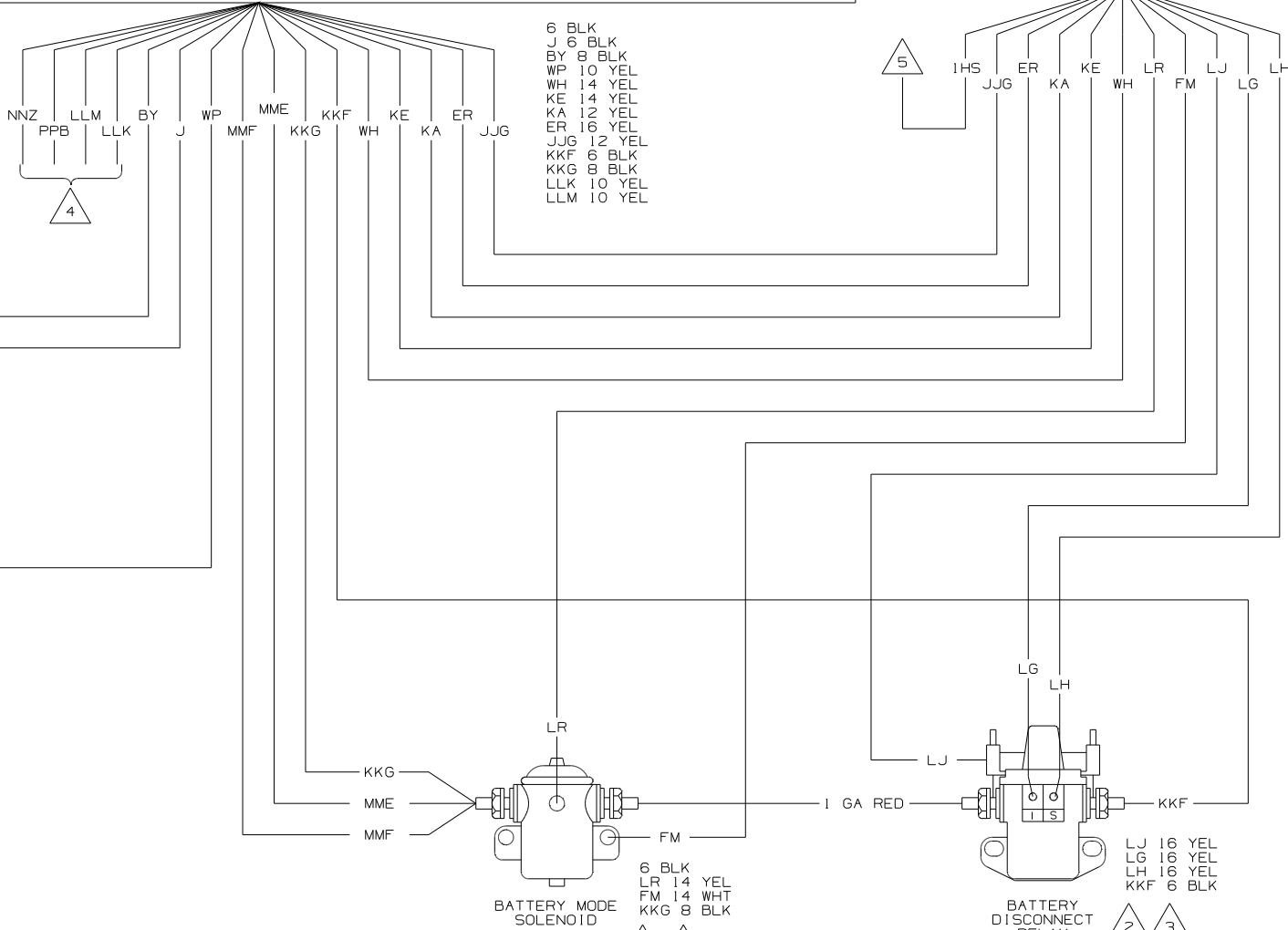
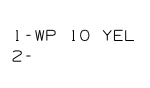
- 9-WH 14 YEL
- 10-KE 14 YEL
- 11-LH 16 YEL
- 12-
- 13-LJ 16 YEL
- 14-JYG 12 YEL
- 15-KA 12 YEL

- 6 BLK
- J 6 BLK
- BY 8 BLK
- WP 10 YEL
- WH 14 YEL
- KE 14 YEL
- KA 12 YEL
- ER 16 YEL
- JYG 12 YEL
- KKF 6 BLK
- KKG 8 BLK
- LLK 10 YEL
- LLM 10 YEL

CONNECTS TO WIRE ASM-CHASSIS (SHT 2, B-1) (LOCATED IN ELECTRICAL BOX IN FRONT RIGHT COMPT)



CONNECTS TO WIRE ASM-CHASSIS (SHT 2, D-13) (LOCATED IN ELECTRICAL BOX IN FRONT RIGHT COMPT)

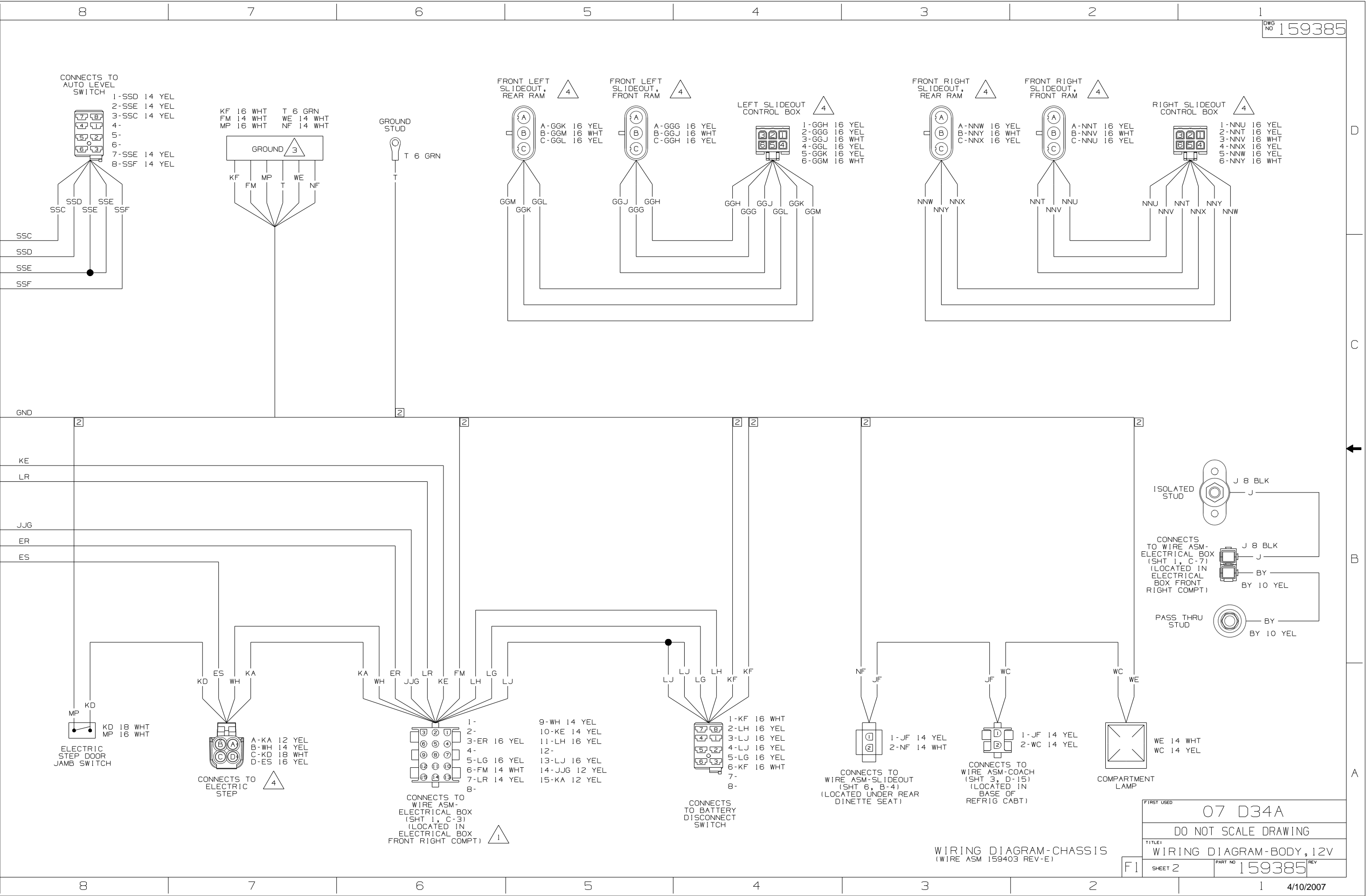


- 6 CIRCUITS MME AND MMF ARE PART OF WIRE ASM-SLIDEOUT BREAKERS.
- 5 CIRCUIT IS NOT USED.
- 4 WIRE IS FROM WIRE ASM-SLIDEOUT POWER.
- 3 SEE WIRING DIAGRAM-AUTO FOR ADDITIONAL INFORMATION.
- 2 SEE MANUFACTURERS DIAGRAM FOR ADDITIONAL INFORMATION.

NOTES:  
1. SPLICES ARE THEORETICAL AND MAY DIFFER IN THE HARNESS.

WIRING DIAGRAM-ELECTRICAL BOX (WIRE ASM 124125-03 REV-L)  
WIRING DIAGRAM-SLIDEOUT BREAKERS (WIRE ASM 148561-02 REV D)

<b>WINNEBAGO</b>		COPYRIGHT 2006 WINNEBAGO INDUSTRIES, INC.	
DFTR	ORIG. DATE	ALL DIMENSIONS ARE IN MILLIMETERS	
CHKR		M.E.	
P.E.		FIRST USED	
M.E.		07 D34A	
DSNR		UNSPECIFIED TOLERANCES ARE:	
		MATERIAL:	
		HOLE DIM (X) :	
		ONE-PLACE (X.X) :	
		TWO-PLACE (X.XX) :	
		ANGLE :	
		THIRD ANGLE PROJECTION	
DO NOT SCALE DRAWING			
TITLE: WIRING DIAGRAM-BODY, 12V			
SHEET 1 of 8	PART NO	159385	REV
REF:	1 4/10/2007		



CONNECTS TO AUTO LEVEL SWITCH

KF 16 WHT T 6 GRN  
FM 14 WHT WE 14 WHT  
MP 16 WHT NF 14 WHT

FRONT LEFT SLIDEOUT, REAR RAM 4

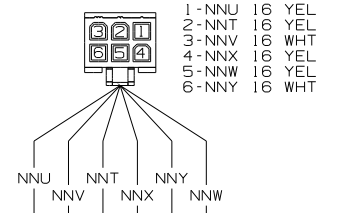
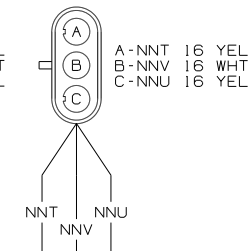
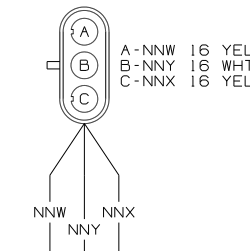
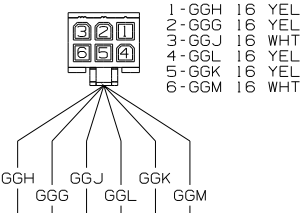
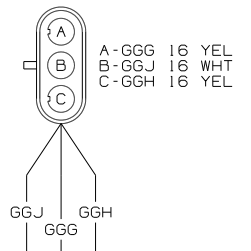
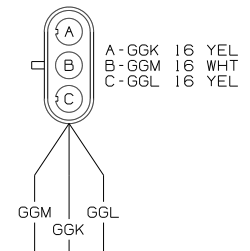
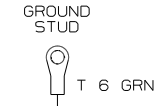
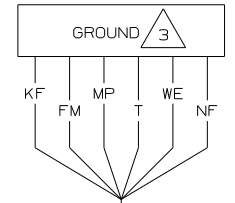
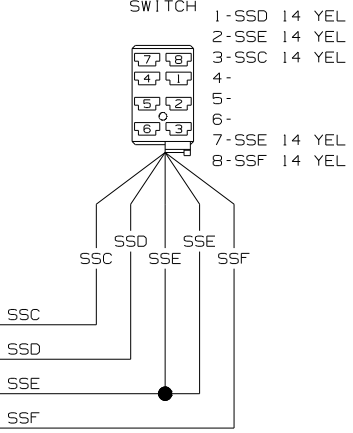
FRONT LEFT SLIDEOUT, FRONT RAM 4

LEFT SLIDEOUT CONTROL BOX 4

FRONT RIGHT SLIDEOUT, REAR RAM 4

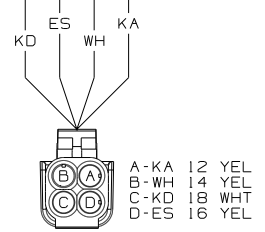
FRONT RIGHT SLIDEOUT, FRONT RAM 4

RIGHT SLIDEOUT CONTROL BOX 4

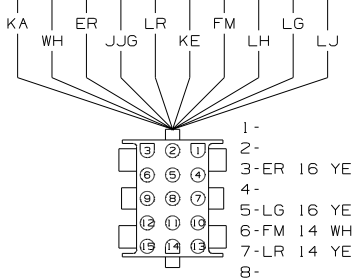


GND

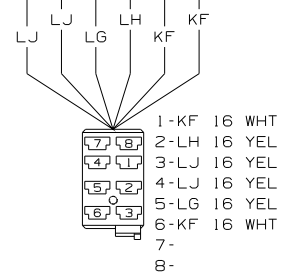
KE  
LR  
JUG  
ER  
ES



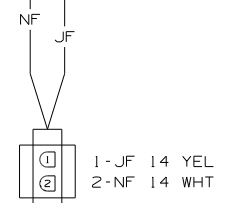
CONNECTS TO ELECTRIC STEP 4



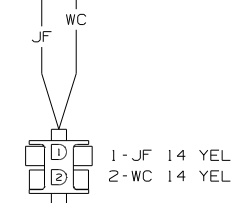
CONNECTS TO WIRE ASM ELECTRICAL BOX (SHT 1, C-3) (LOCATED IN ELECTRICAL BOX FRONT RIGHT COMPT) 1



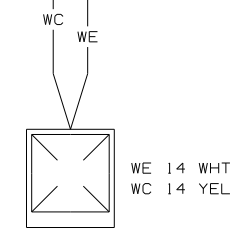
CONNECTS TO BATTERY DISCONNECT SWITCH



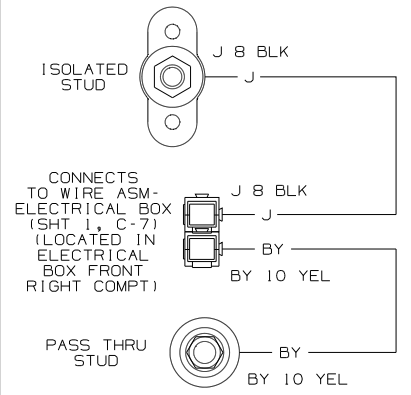
CONNECTS TO WIRE ASM-SLIDEOUT (SHT 6, B-4) (LOCATED UNDER REAR DINETTE SEAT)



CONNECTS TO WIRE ASM-COACH (SHT 3, D-15) (LOCATED IN BASE OF REFRIG CABT)



COMPARTMENT LAMP

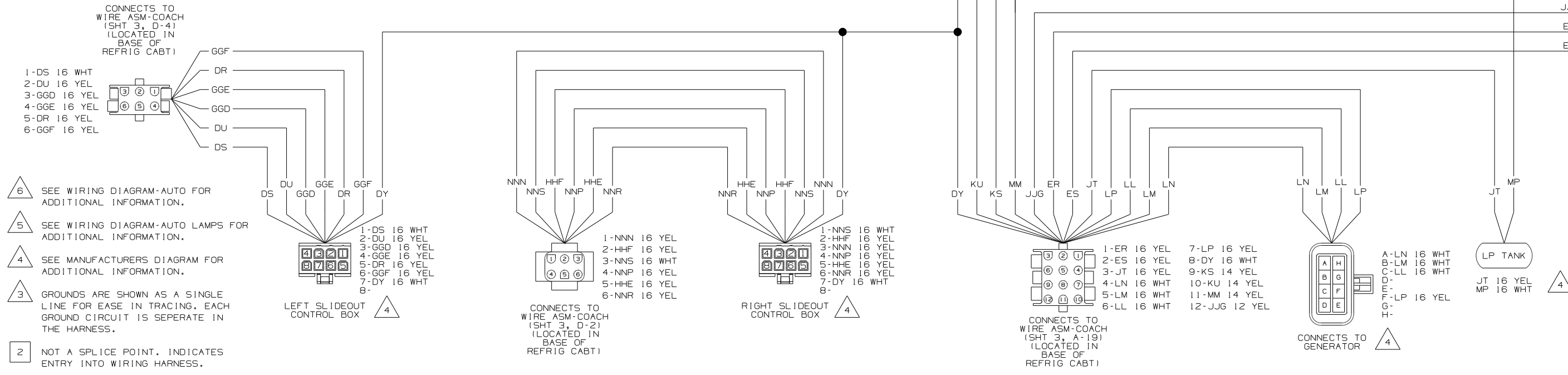
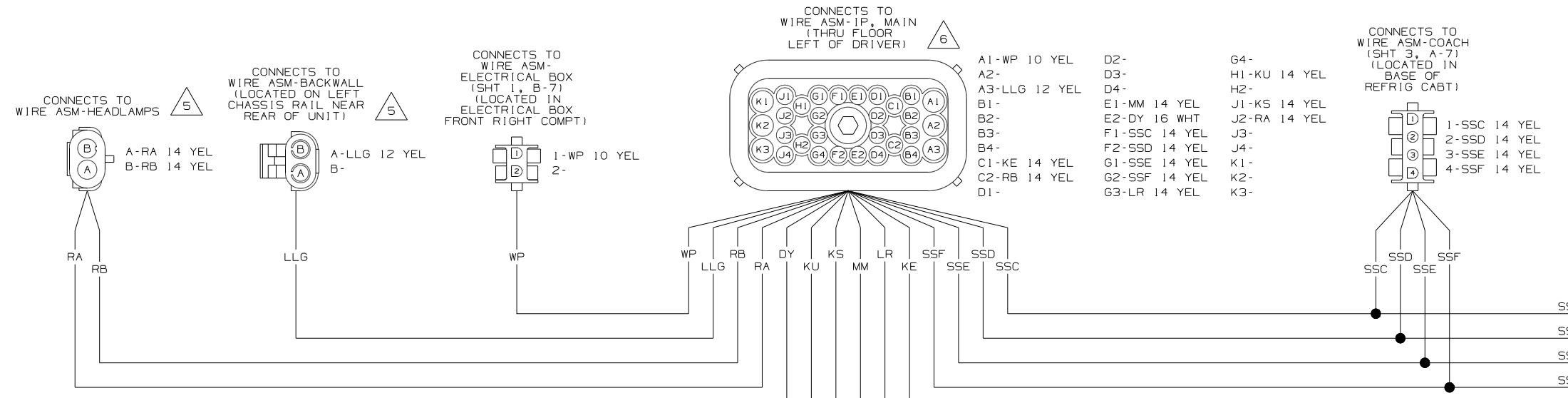


CONNECTS TO WIRE ASM ELECTRICAL BOX (SHT 1, C-7) (LOCATED IN ELECTRICAL BOX FRONT RIGHT COMPT)

PASS THRU STUD

WIRING DIAGRAM-CHASSIS (WIRE ASM 159403 REV-E)

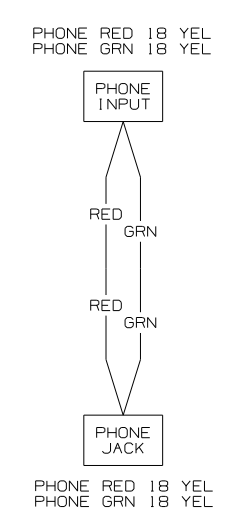
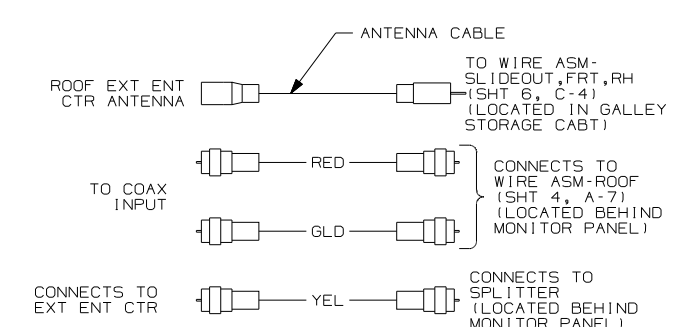
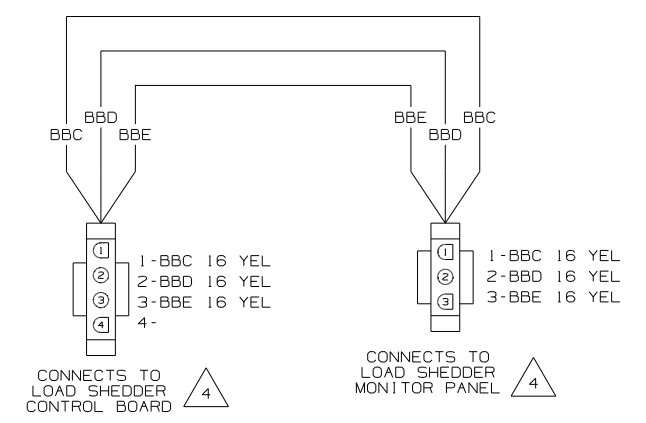
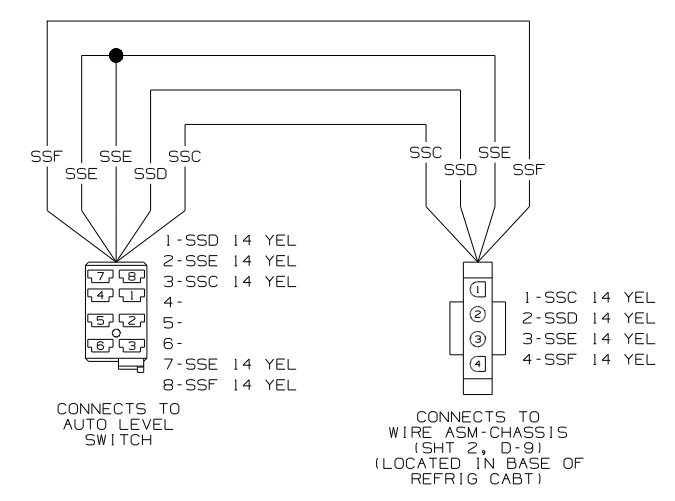
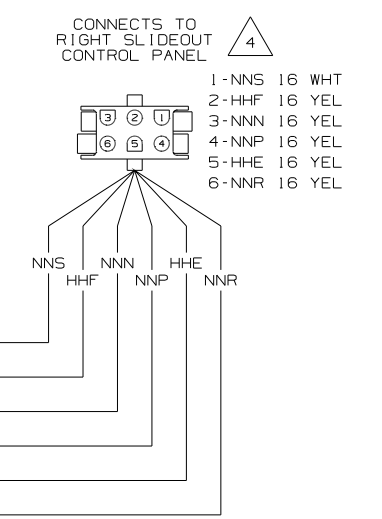
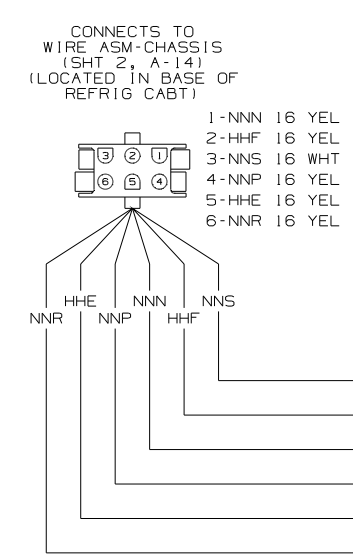
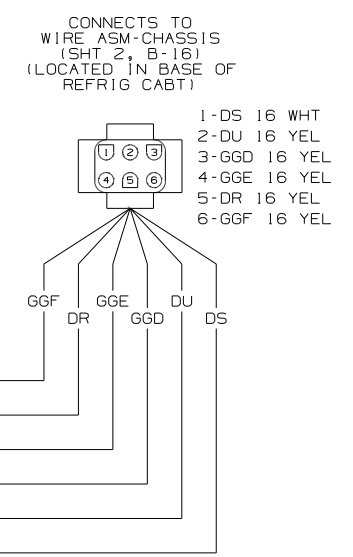
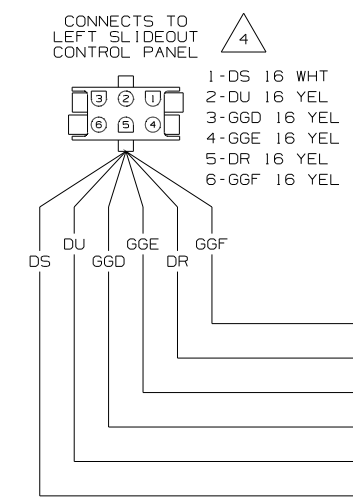
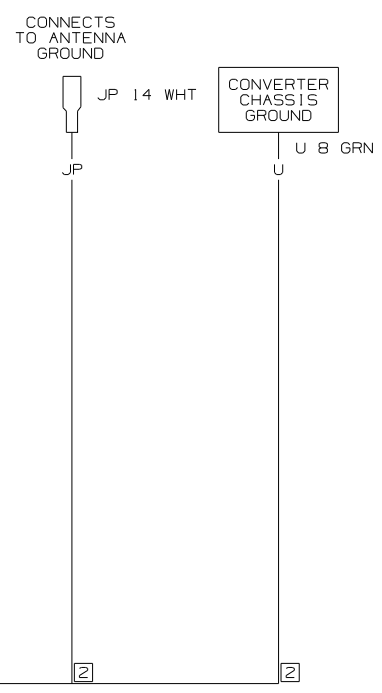
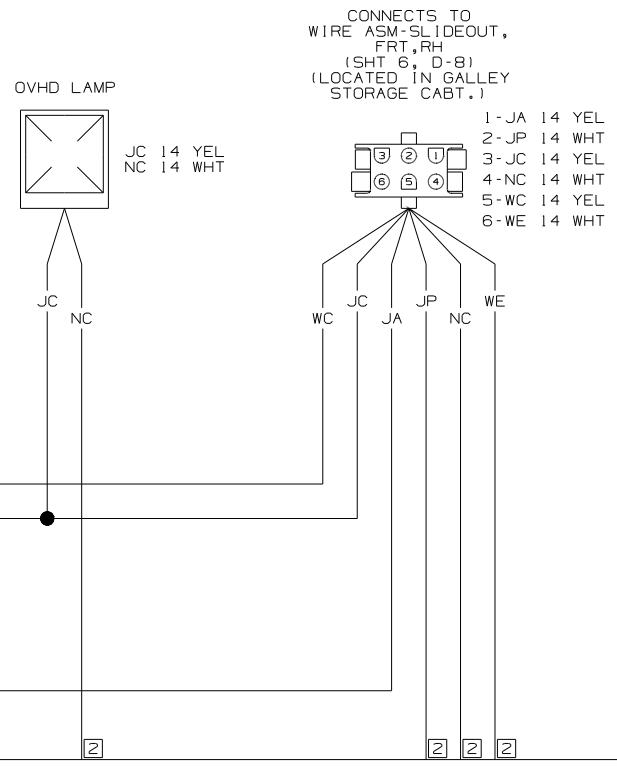
FIRST USED	07 D34A
TITLE	DO NOT SCALE DRAWING
TITLE	WIRING DIAGRAM-BODY, 12V
SHEET 2	PART NO 159385
REV	REV



- 6 SEE WIRING DIAGRAM-AUTO FOR ADDITIONAL INFORMATION.
- 5 SEE WIRING DIAGRAM-AUTO LAMPS FOR ADDITIONAL INFORMATION.
- 4 SEE MANUFACTURERS DIAGRAM FOR ADDITIONAL INFORMATION.
- 3 GROUNDS ARE SHOWN AS A SINGLE LINE FOR EASE IN TRACING. EACH GROUND CIRCUIT IS SEPERATE IN THE HARNESS.
- 2 NOT A SPLICE POINT. INDICATES ENTRY INTO WIRING HARNESS.

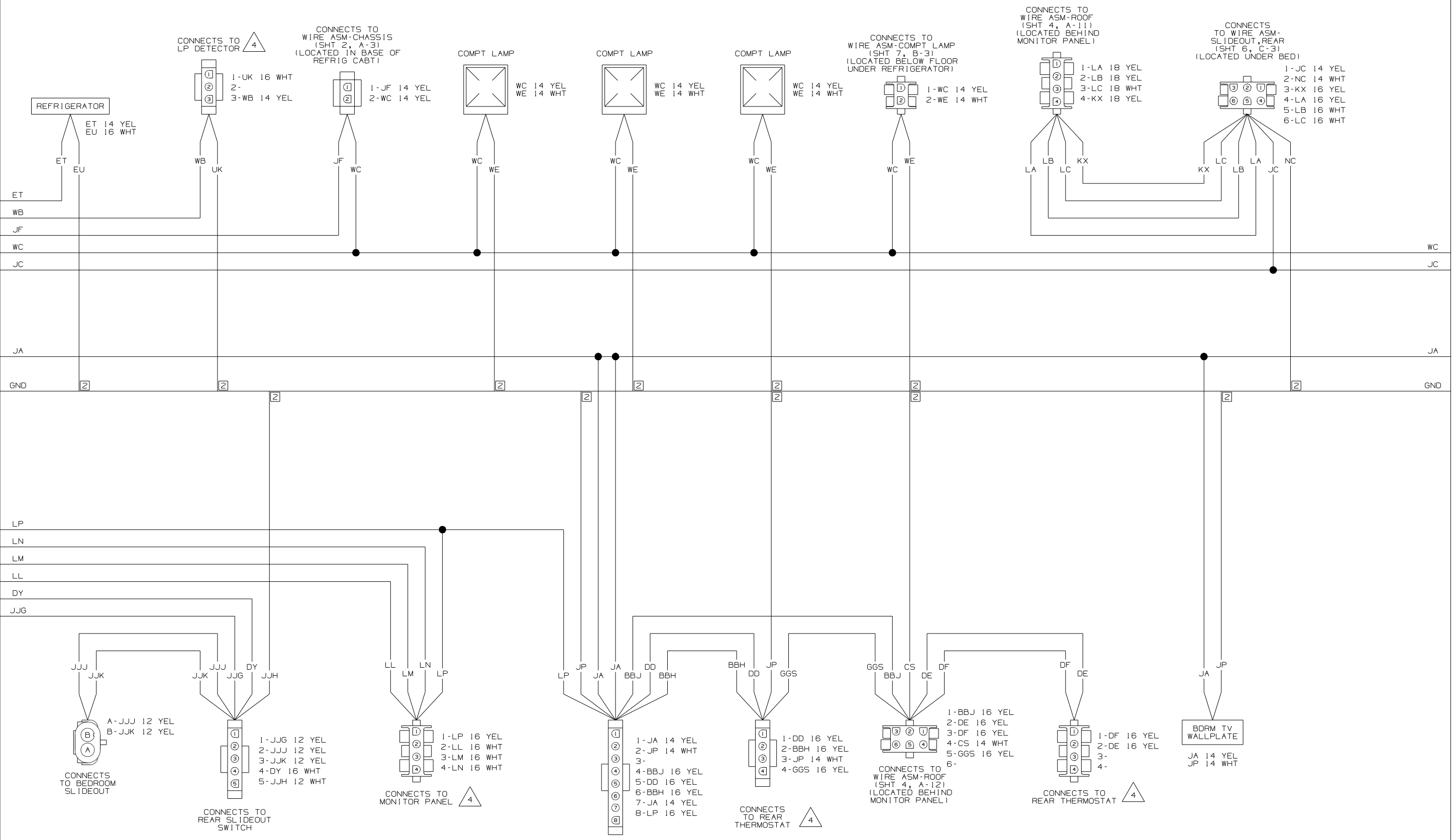
1. SPLICES ARE THEORETICAL AND MAY DIFFER IN THE HARNESS.

NOTES:



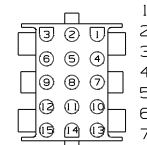
WIRING DIAGRAM-COACH (WIRE ASM 159405 REV-E)

FIRST USED	07 D34A	
TITLE	DO NOT SCALE DRAWING	
	WIRING DIAGRAM-BODY, 12V	
SHEET 3	PART NO	159385

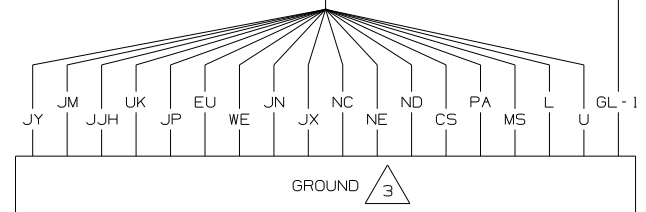
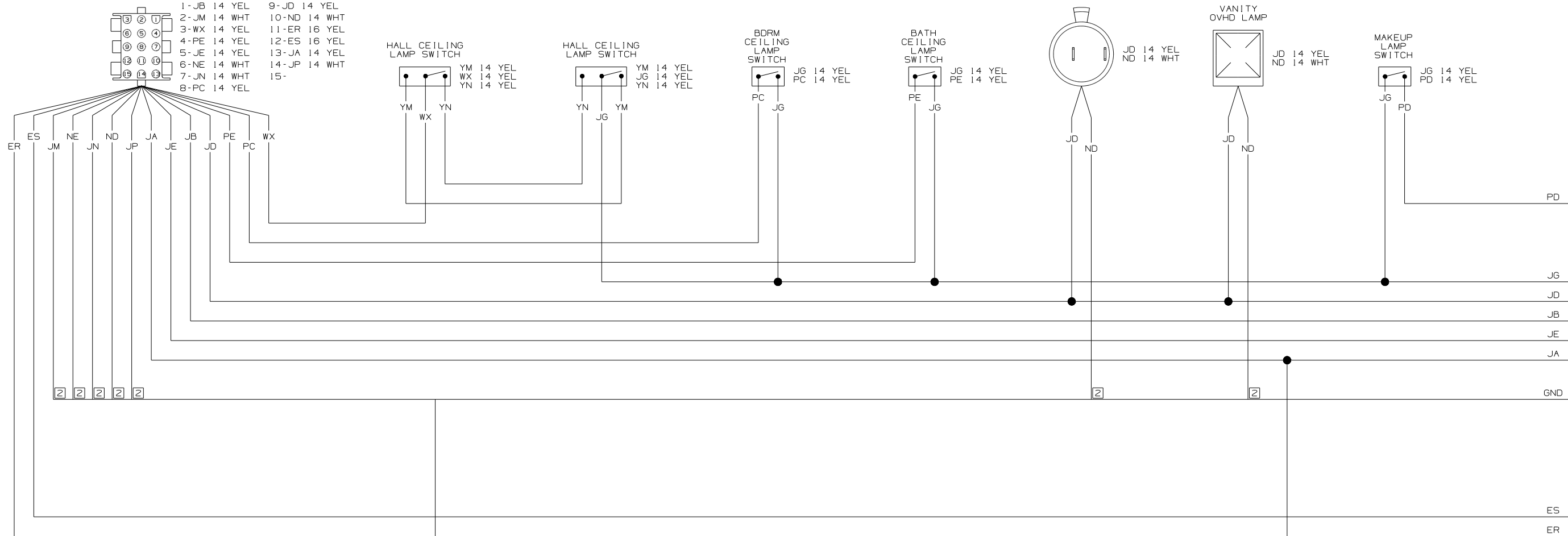




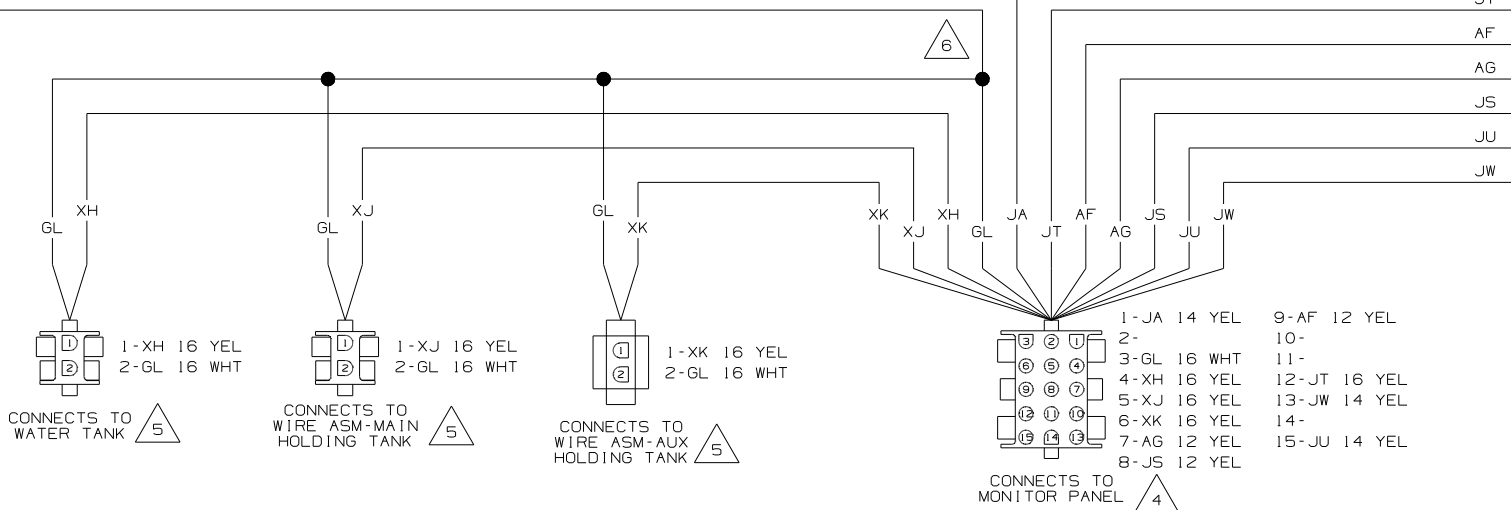
CONNECTS TO WIRE ASM-ROOF (SHT 4, C-15) (LOCATED BEHIND MONITOR PANEL)



- 1-JB 14 YEL
- 2-JM 14 WHT
- 3-WX 14 YEL
- 4-PE 14 YEL
- 5-JE 14 YEL
- 6-NE 14 WHT
- 7-JN 14 WHT
- 8-PC 14 YEL
- 9-JD 14 YEL
- 10-ND 14 WHT
- 11-ER 16 YEL
- 12-ES 16 YEL
- 13-JA 14 YEL
- 14-JP 14 WHT
- 15-



- JY 12 WHT
- GL-1 14 WHT
- JM 14 WHT
- JJH 12 WHT
- UK 16 WHT
- JP 14 WHT
- EU 16 WHT
- WE 14 WHT
- JN 14 WHT
- JX 14 WHT
- NC 14 WHT
- NE 14 WHT
- ND 14 WHT
- CS 14 WHT
- PA 14 WHT
- MS 14 WHT
- L 8 GRN
- U 8 GRN

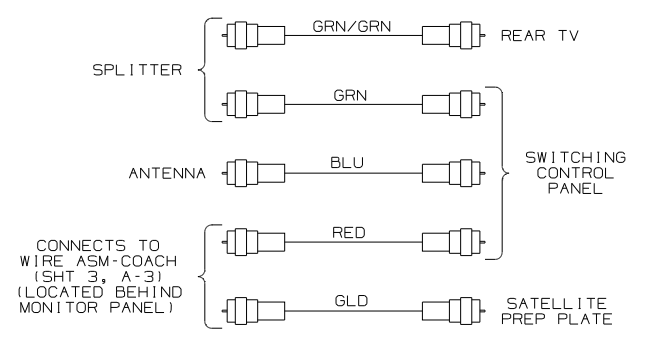
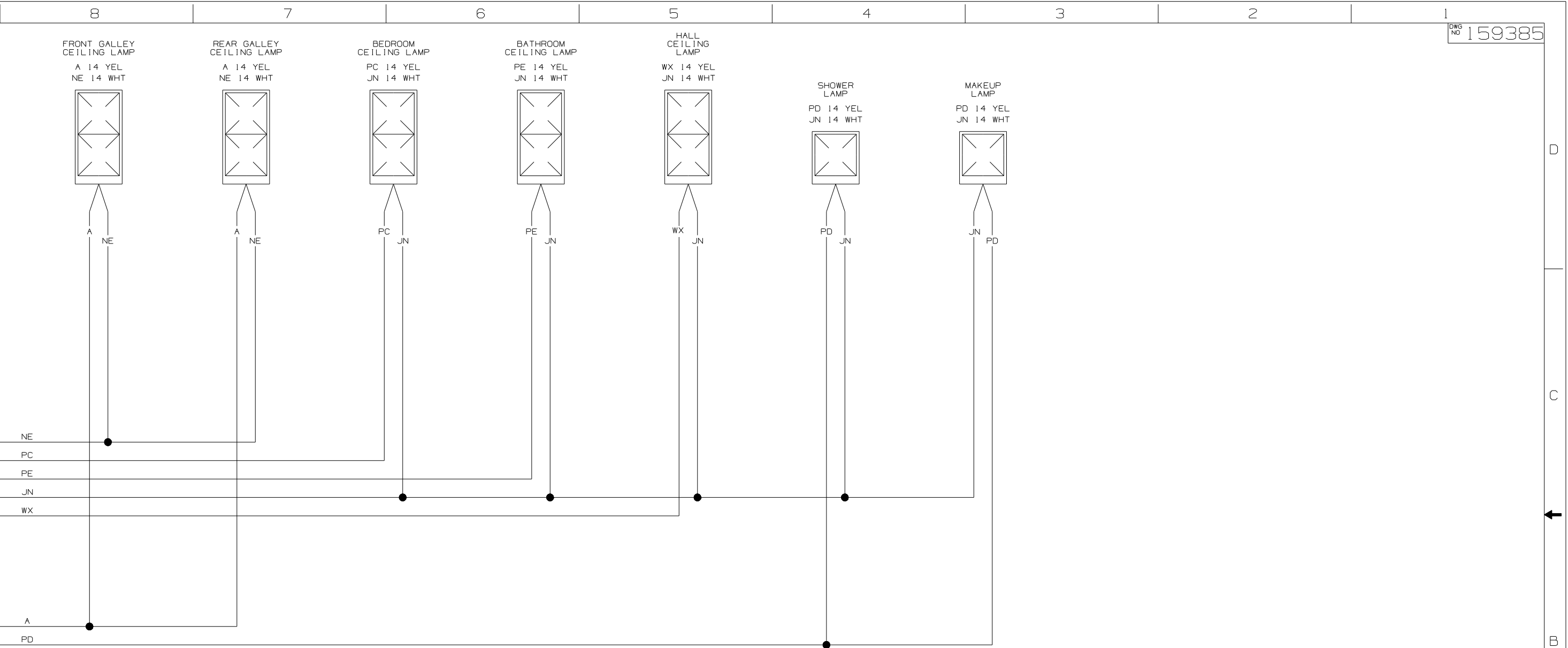


- 1-JA 14 YEL
- 2-
- 3-GL 16 WHT
- 4-XH 16 YEL
- 5-XJ 16 YEL
- 6-XK 16 YEL
- 7-AG 12 YEL
- 8-JS 12 YEL
- 9-AF 12 YEL
- 10-
- 11-
- 12-JT 16 YEL
- 13-JW 14 YEL
- 14-
- 15-JU 14 YEL

- 6 GL AND GL-1 ARE TO BE SPLICED TOGETHER 100MM AWAY FROM MONITOR PANEL HOUSING FOR ISOLATION PURPOSES.
- 5 SEE WIRING DIAGRAM-HOLDING TANKS FOR ADDITIONAL INFORMATION.
- 4 SEE MANUFACTURERS DIAGRAM FOR ADDITIONAL INFORMATION.
- 3 GROUNDS ARE SHOWN AS A SINGLE LINE FOR EASE IN TRACING. EACH GROUND CIRCUIT IS SEPERATE IN THE HARNESS.
- 2 NOT A SPLICE POINT. INDICATES ENTRY INTO WIRING HARNESS.
- 1. SPLICES ARE THEORETICAL AND MAY DIFFER IN THE HARNESS.

NOTES:





WIRING DIAGRAM-ROOF  
WIRE ASM-159407 REV-C

FIRST USED	07 D34A	
TITLE	DO NOT SCALE DRAWING	
	WIRING DIAGRAM-ROOF	
SHEET 4	PART NO 159385	REV

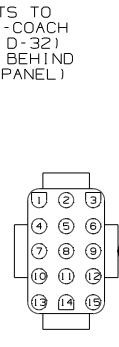
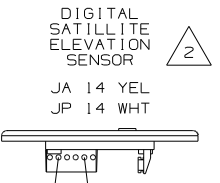
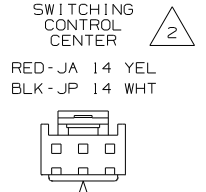
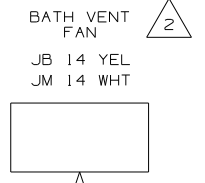
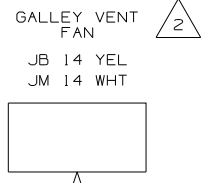
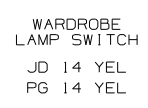
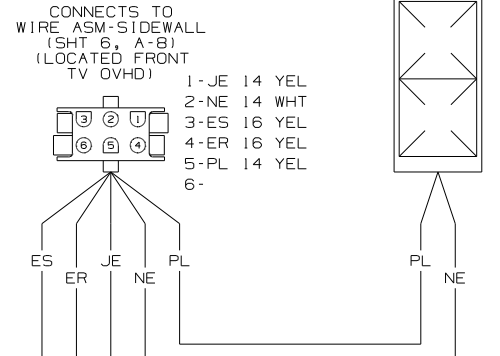
D

C

B

A

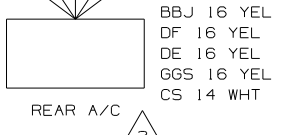
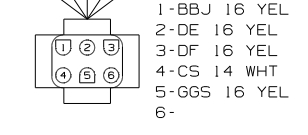
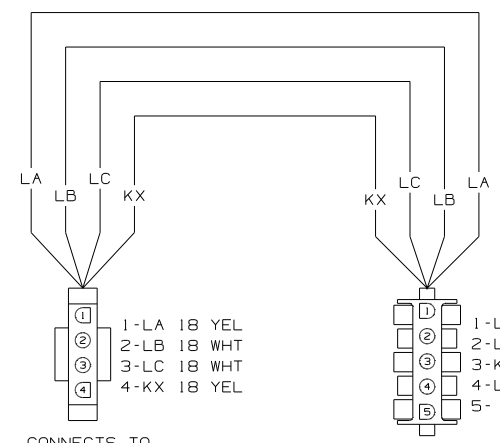
LOUNGE  
CEILING  
LAMP  
PL 14 YEL  
NE 14 WHT



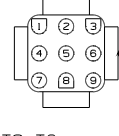
- 1-JB 14 YEL
- 2-JM 14 WHT
- 3-WX 14 YEL
- 4-PE 14 YEL
- 5-JE 14 YEL
- 6-NE 14 WHT
- 7-JN 14 WHT
- 8-PC 14 YEL
- 9-JD 14 YEL
- 10-ND 14 WHT
- 11-ER 16 YEL
- 12-ES 16 YEL
- 13-JA 14 YEL
- 14-JP 14 WHT
- 15-

NE  
PC  
PE  
JN  
WX

A  
PD



- 1-SUB NEG (PUR) 16 WHT
- 2-SUB POS (PUR) 16 YEL

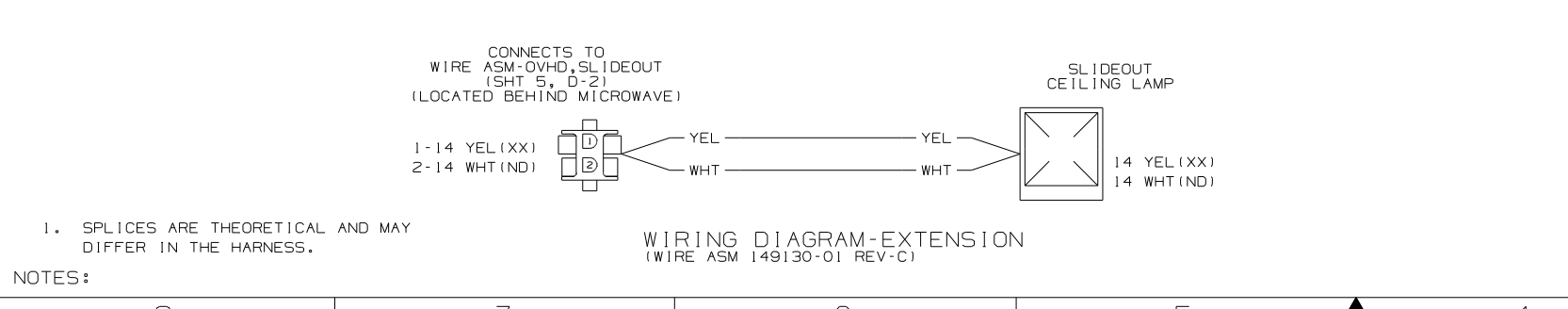
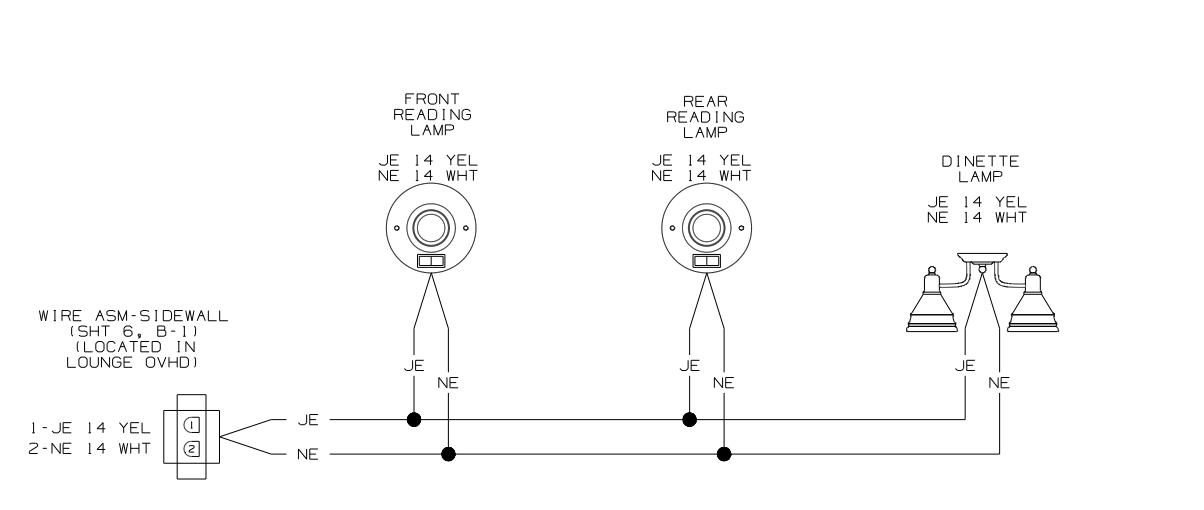
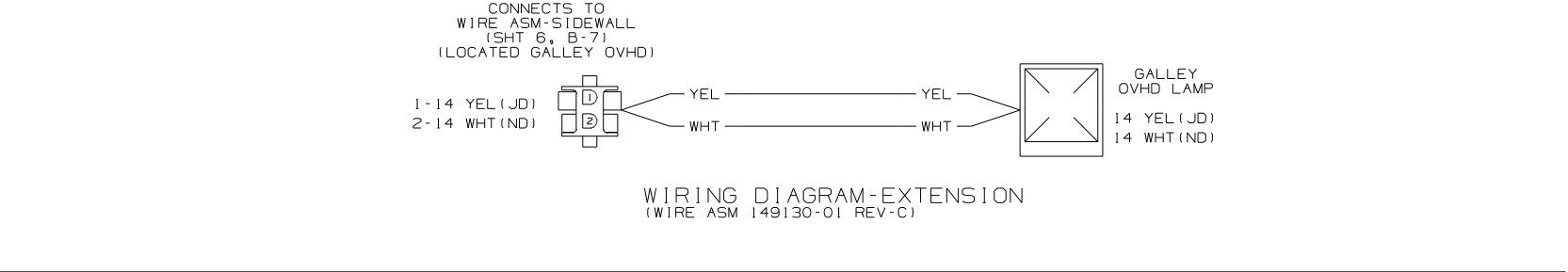
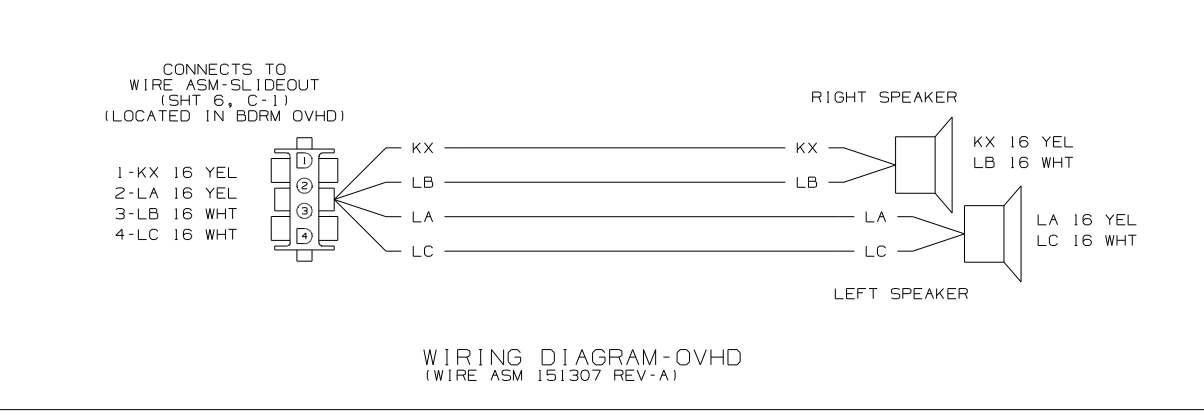
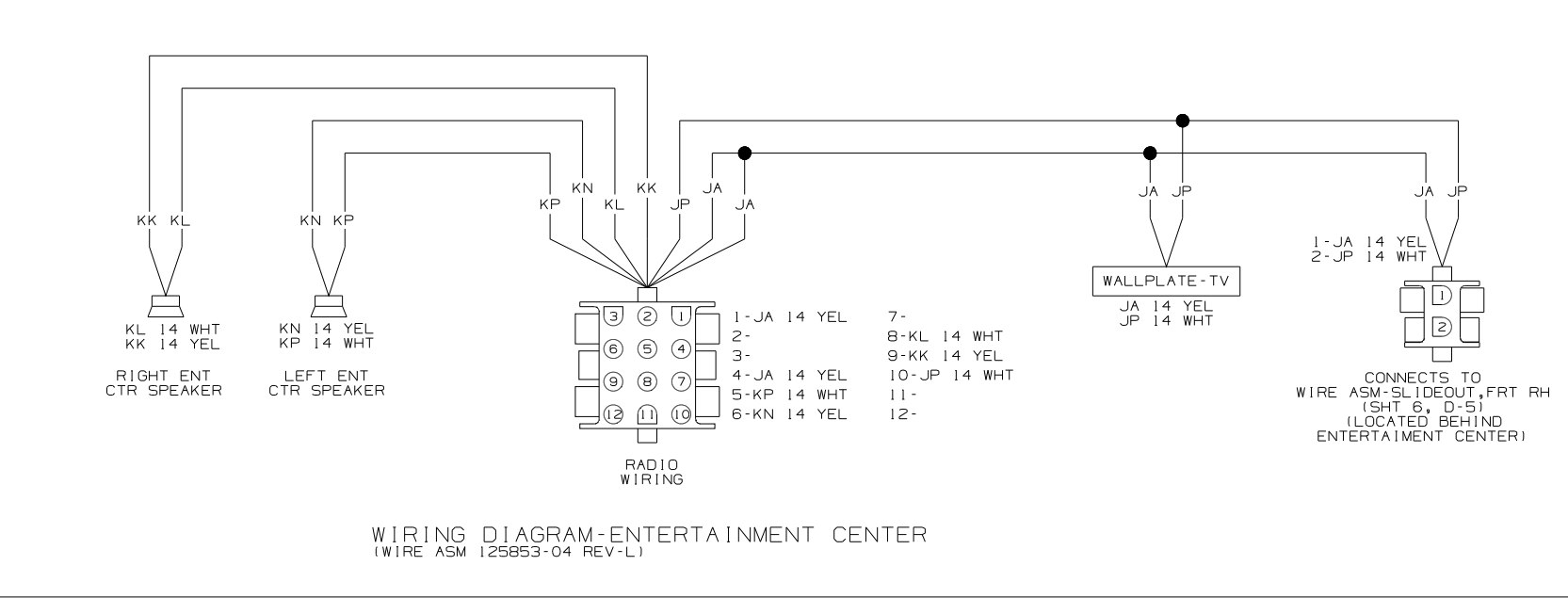
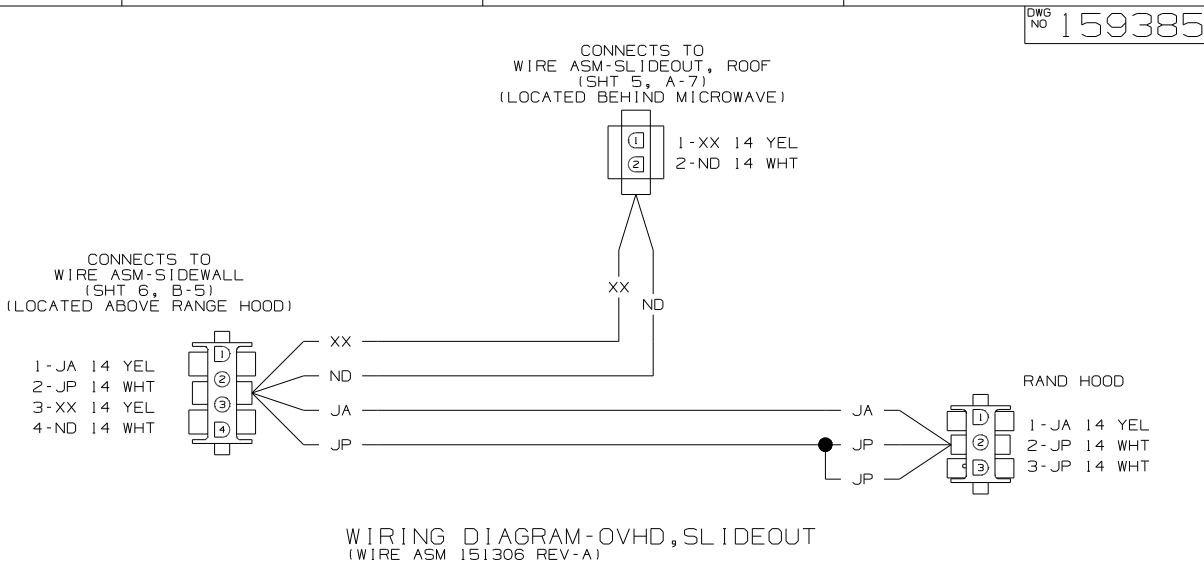
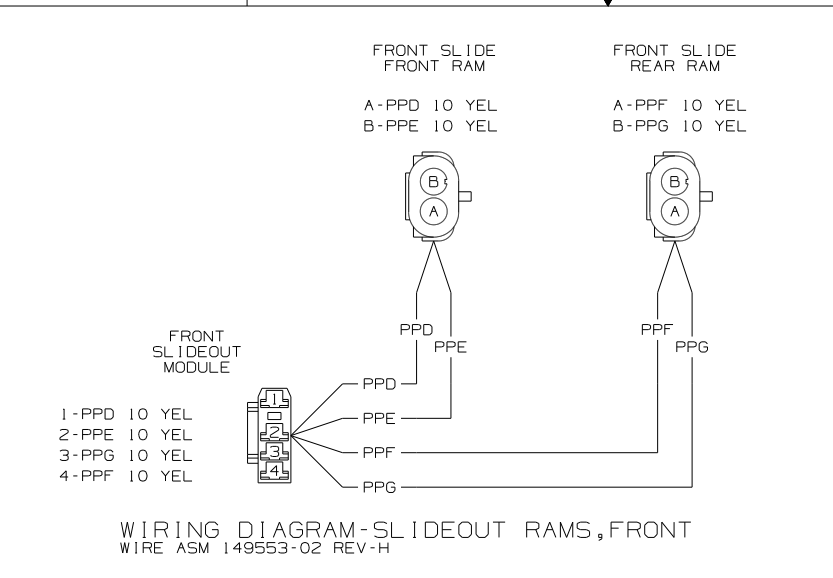
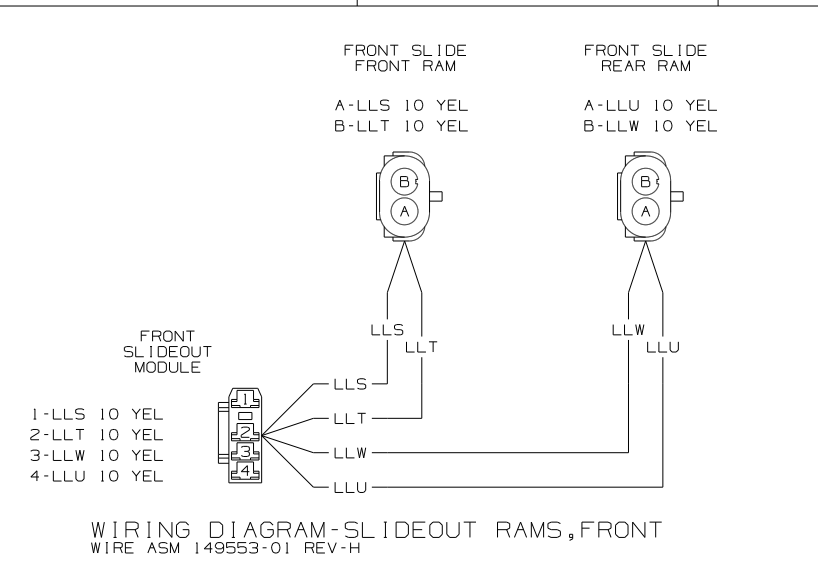


- 1-A 14 YEL
- 2-
- 3-PD 14 YEL
- 4-SUB POS (PUR) 16 YEL
- 5-SUB NEG (PUR) 16 WHT
- 6-XS 16 YEL
- 7-XP 16 YEL
- 8-XR 16 YEL
- 9-GGR 16 YEL

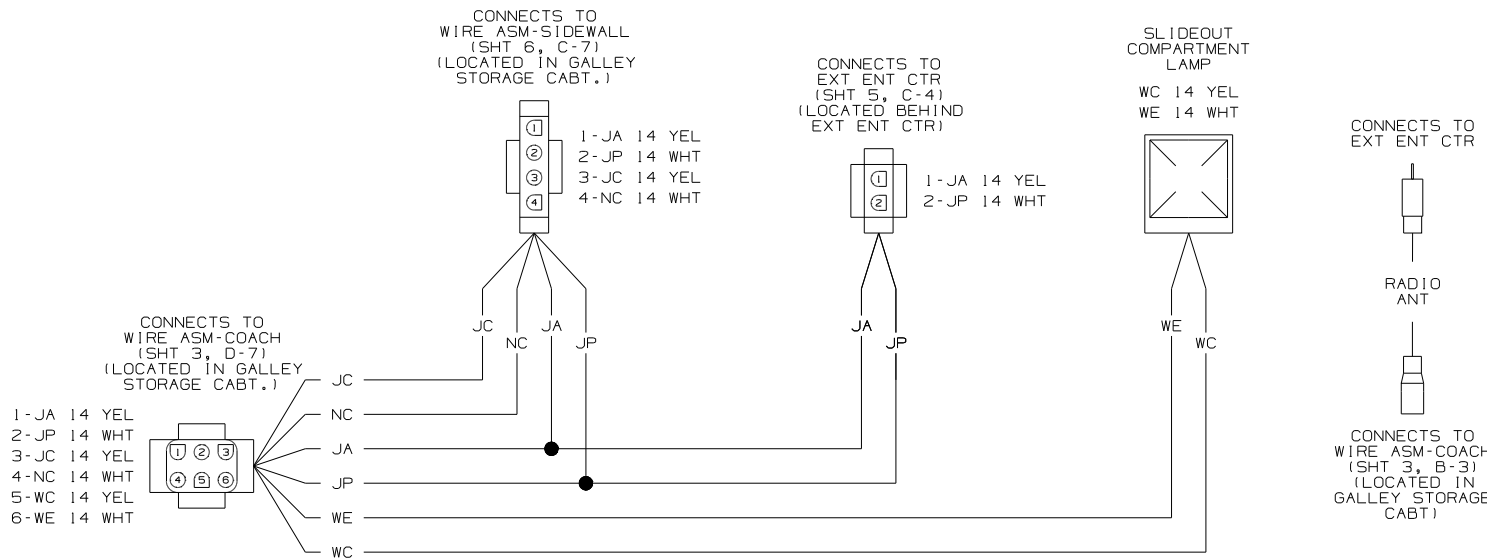
- 3 SEE WIRING DIAGRAM-AUTO FOR ADDITIONAL INFORMATION.
- 2 SEE MANUFACTURERS DIAGRAM FOR ADDITIONAL INFORMATION.

1. SPLICES ARE THEORETICAL AND MAY DIFFER IN THE HARNESS.

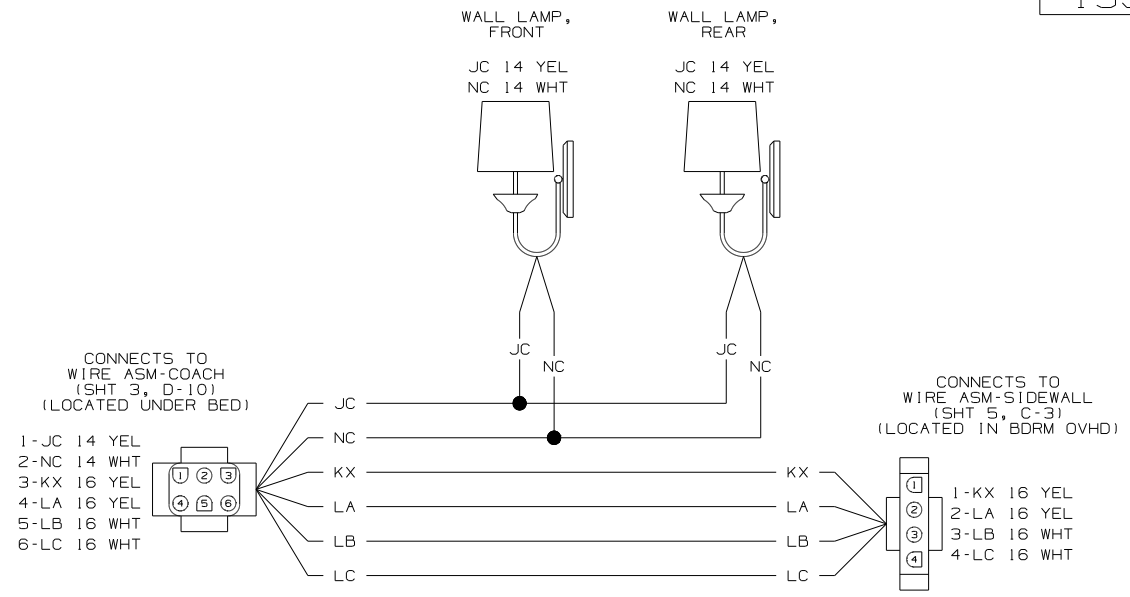
NOTES:



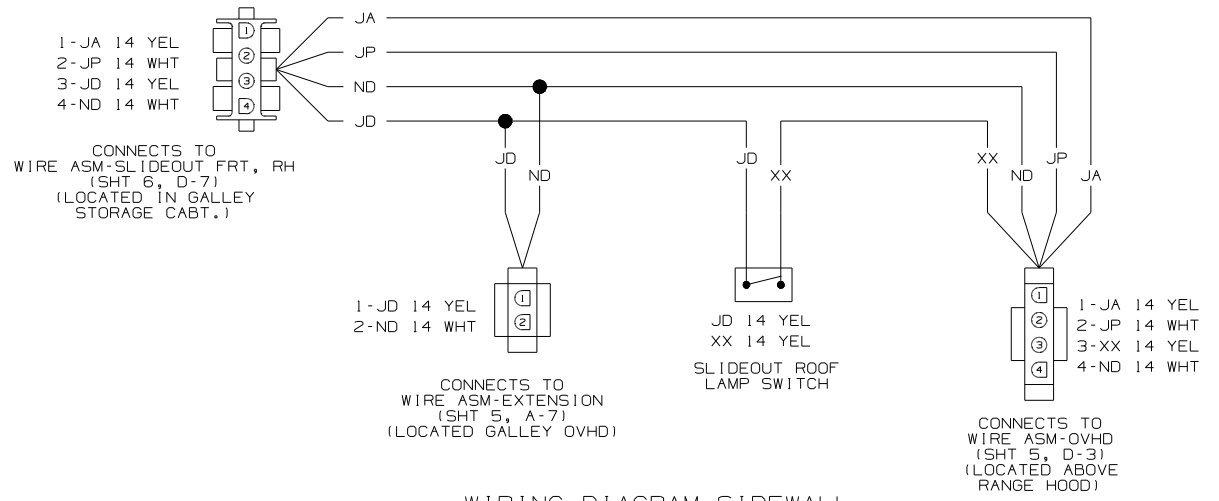
FIRST USED	07 D34A
TITLE	DO NOT SCALE DRAWING
TITLE	WIRING DIAGRAM-BODY 12V
SHEET 5	PART NO 159385 REV



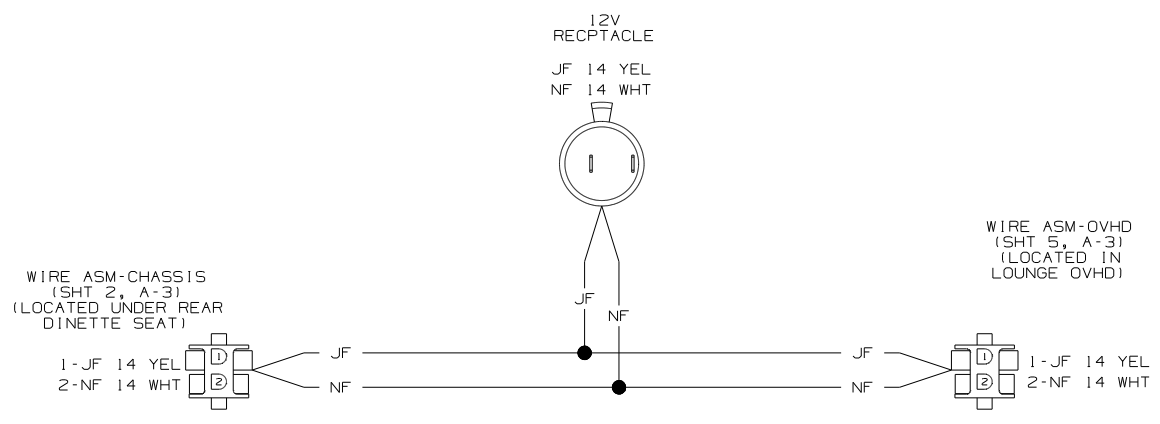
WIRING DIAGRAM-SLIDEOUT, FRT RH  
(WIRE ASM 159499 REV-A)



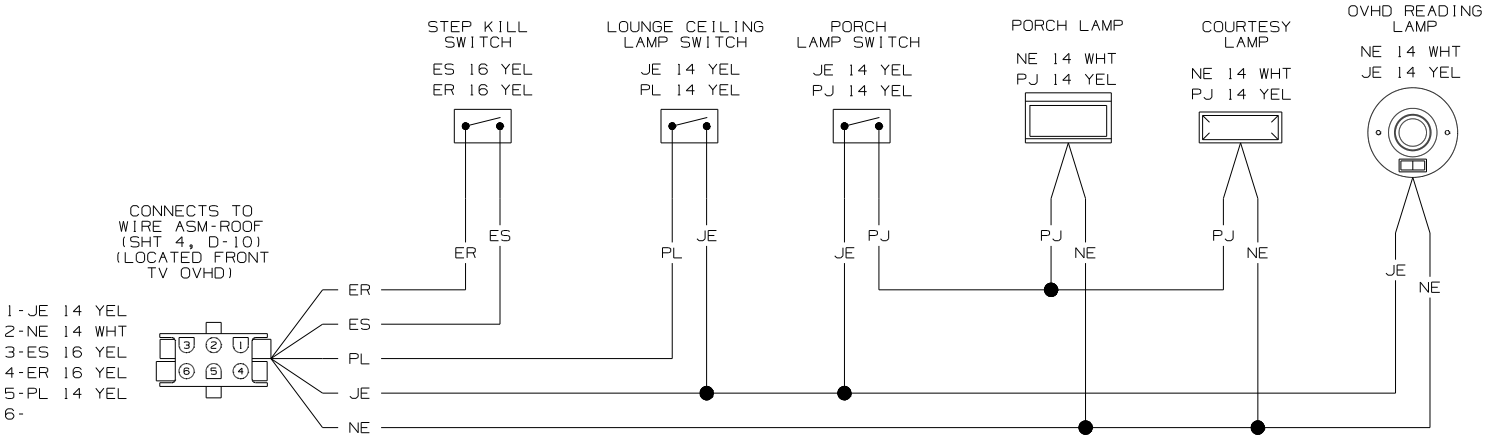
WIRING DIAGRAM-SIDEWALL  
(WIRE ASM-151325 REV-A)



WIRING DIAGRAM-SIDEWALL  
(WIRE ASM 151560 REV-B)



WIRING DIAGRAM-SIDEWALL  
(WIRE ASM 151559 REV-A)

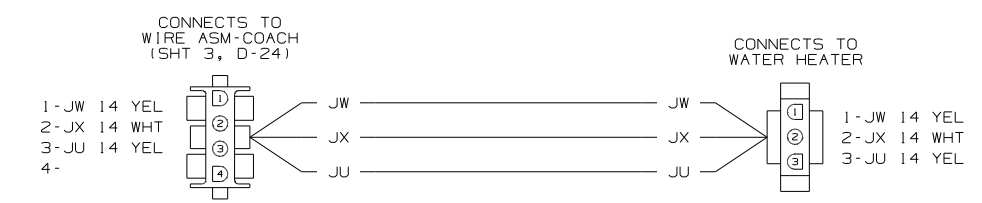


WIRING DIAGRAM-SIDEWALL  
(WIRE ASM 154237 REV-A)

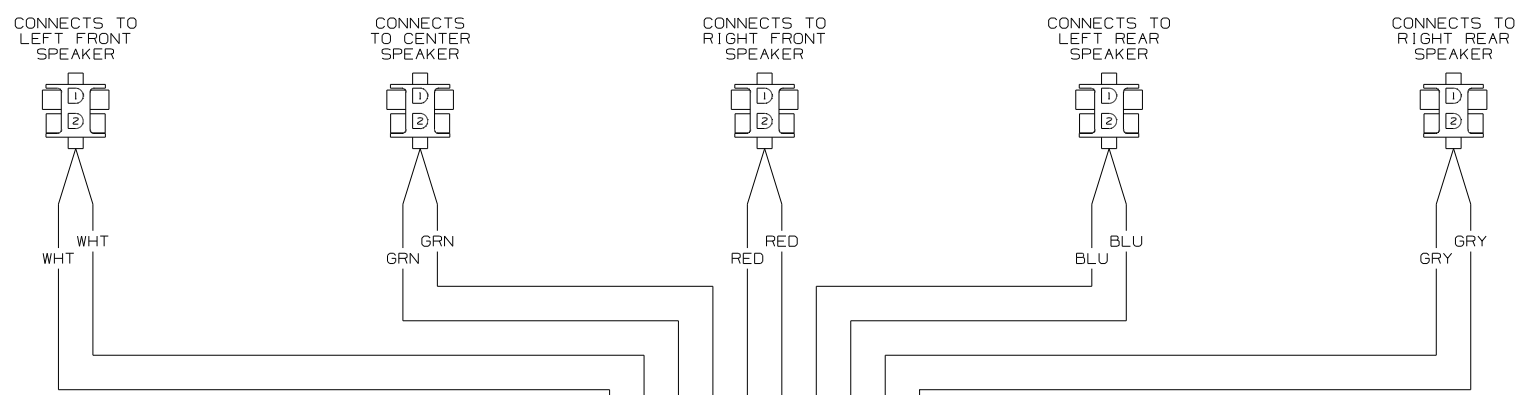
NOTES:  
1. SPLICES ARE THEORETICAL AND MAY DIFFER IN THE HARNESS.

FIRST USED	07 D34A
TITLE	DO NOT SCALE DRAWING
TITLE	WIRING DIAGRAM-BODY 12V
SHEET 6	PART NO 159385 REV

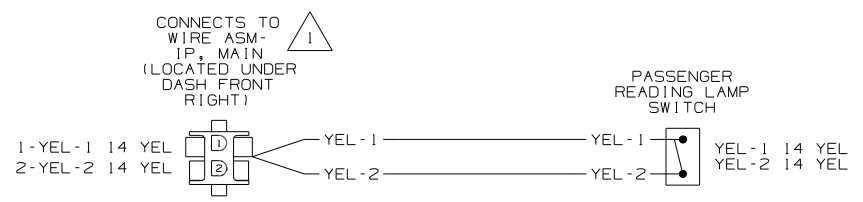
- 1-LT FRT POS (WHT) 18 YEL
- 2-LT FRT NEG (WHT) 18 WHT
- 1-CENTER POS (GRN) 18 YEL
- 2-CENTER NEG (GRN) 18 WHT
- 1-RT FRT POS (RED) 18 YEL
- 2-RT FRT NEG (RED) 18 WHT
- 1-LT RR POS (BLU) 18 YEL
- 2-LT RR NEG (BLU) 18 WHT
- 1-RT RR POS (GRY) 18 YEL
- 2-RT RR NEG (GRY) 18 WHT



WIRING DIAGRAM-JUMPER, WTR HTR  
(WIRE ASM 142263 REV-A)



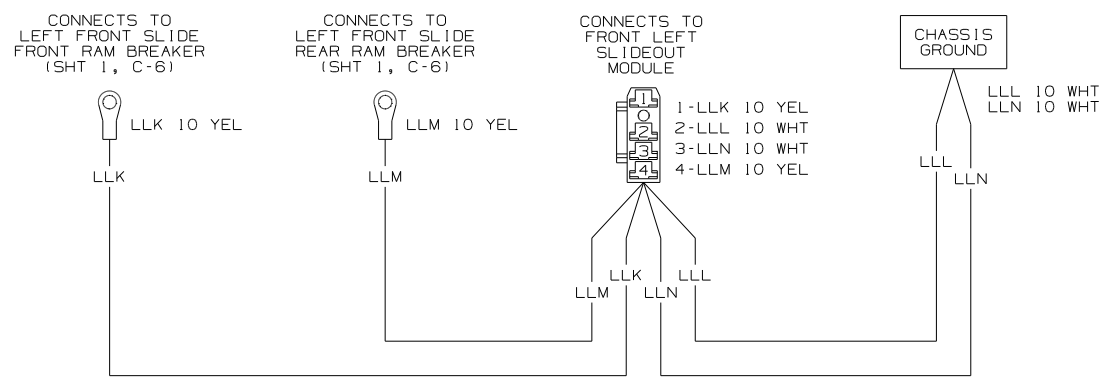
WIRING DIAGRAM-HOME THEATER EXTENSION  
(WIRE ASM 159963-06 REV-A)



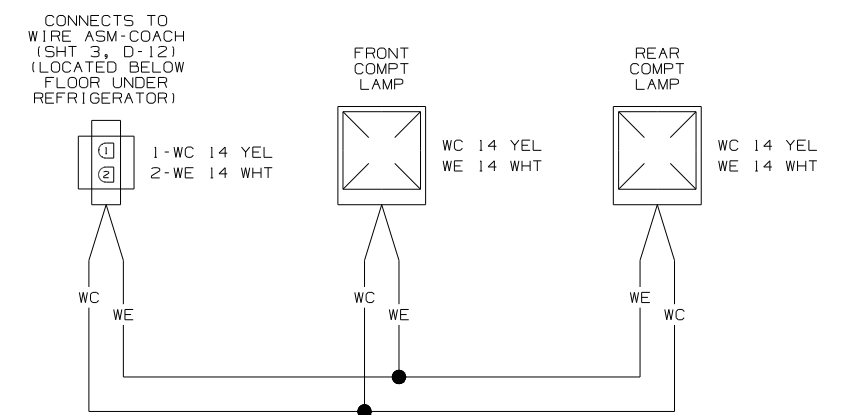
WIRING DIAGRAM-EXTENSION, 2 PIN  
(WIRE ASM 147579-02 REV-A)

- 1-RT FRT POS (RED) 18 YEL
- 2-RT FRT NEG (RED) 18 WHT
- 3-CENTER POS (GRN) 18 YEL
- 4-CENTER NEG (GRN) 18 WHT
- 5-LT FRT POS (WHT) 18 YEL
- 6-LT FRT NEG (WHT) 18 WHT
- 7-RT RR POS (GRY) 18 YEL
- 8-RT RR NEG (GRY) 18 WHT
- 9-LT RR POS (BLU) 18 YEL
- 10-LT RR NEG (BLU) 18 WHT
- 11-
- 12-

CONNECTS TO WIRE ASM-JUMPER, SPEAKER (SHT 8, C-7) (LOCATED BEHIND HOME THEATER)



WIRING DIAGRAM-SLIDEOUT POWER  
(WIRE ASM 149552-04 REV-X)

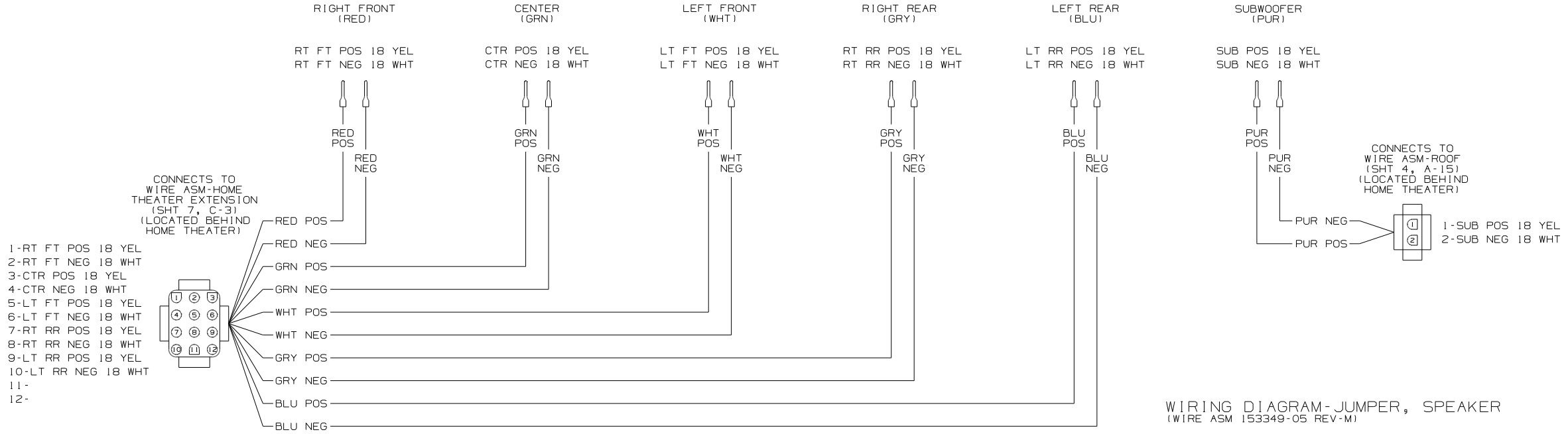


WIRING DIAGRAM-COMPT LAMP  
(WIRE ASM 151324 REV-A)

SEE WIRING DIAGRAM-AUTO FOR ADDITIONAL INFORMATION.

NOTES:

FIRST USED	07 D34A
TITLE	DO NOT SCALE DRAWING
TITLE	WIRING DIAGRAM-BODY, 12V
SHEET 7	PART NO 159385 REV
	1 4/10/2007

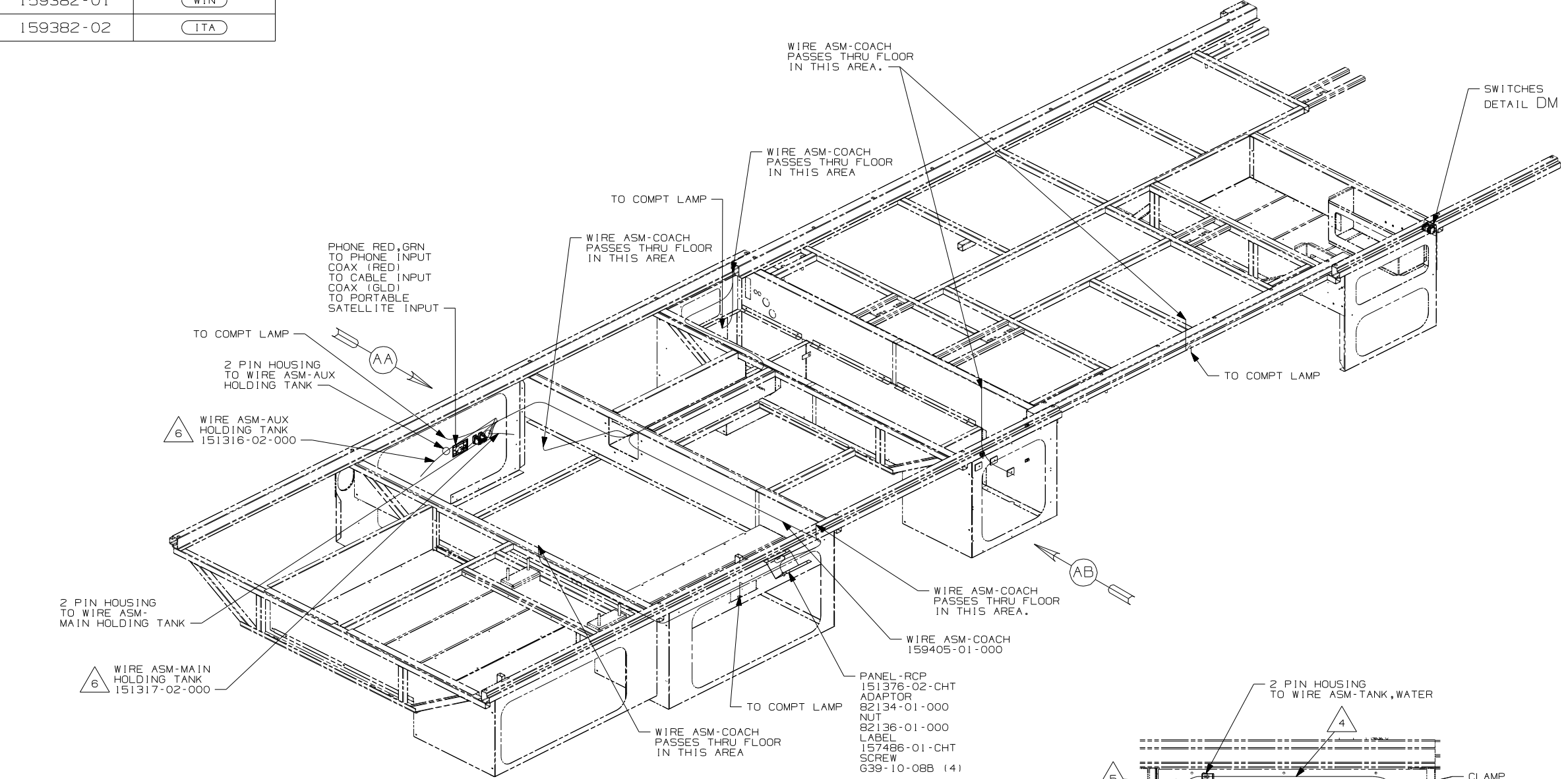


WIRING DIAGRAM-JUMPER, SPEAKER  
(WIRE ASM 153349-05 REV-M)

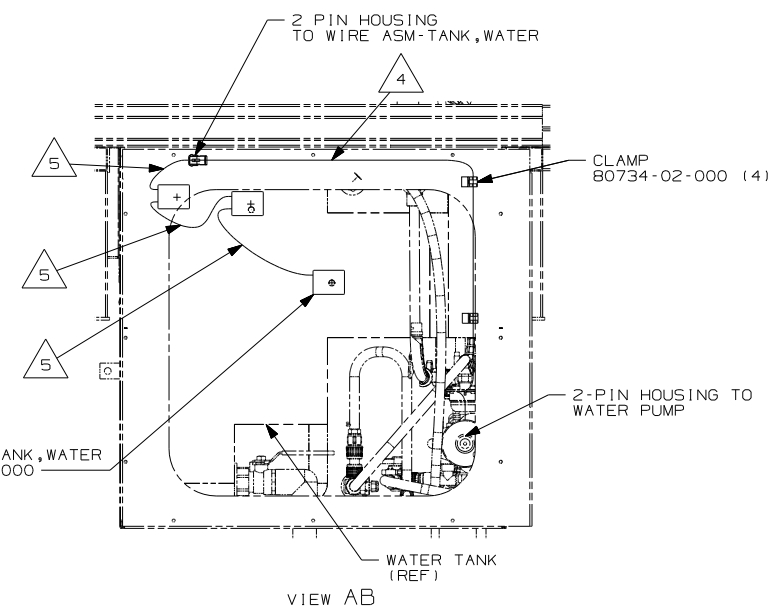
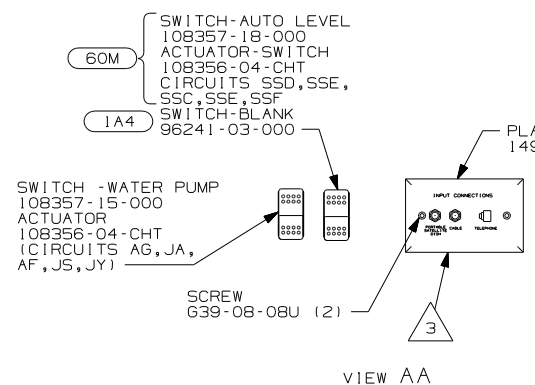
FIRST USED	07 D34A		
TITLE	DO NOT SCALE DRAWING		
	WIRING DIAGRAM-BODY 12V		
SHEET 8	PART NO	159385	REV

DRAWING NO.	FEATURE
159382-01	(WIN)
159382-02	(ITA)

RELEASE	REV DATE	DWG NO
A		159382
REV ZONE	REVISION RECORD	DATE DFR-0R16



- △ 6 PLACE CROSS LOCATOR ON SENSORS OVER DIMPLES ON TANK.
- △ 5 USE WIRE TIE 8343-01-000 AS REQUIRED TO REDUCE THE WIRES FROM DANGLING.
- △ 4 ROUTE WIRES ABOVE WATER TANK IN THIS AREA.
- △ 3 CONNECT TELEPHONE WIRE TO MATCHING COLORS ON PLATE-WALL,PHONE/DUAL COAX.
2. ROUTE TANK SENSOR WIRES SO THEY DO NOT PASS OVER SENSORS. USE WIRE TIE MOUNT 155366-01-000 AND WIRE TIE 8343-01-000 AS NEEDED. TANK SURFACE MUST BE CLEANED USING ISOPROPYL ALCOHOL AND PRIME WITH PRIMER 94.
1. ALL WIRES TO BE SECURED WITH CLAMP 10495 OR 10497 OR WIRE TIE 8343 OR 108046 EVERY 600MM, USE SCREW G67-XX-XXX OR G56-XX-XXX AS APPROPRIATE FOR INTALLATION.



- (60M) HYDRAULIC LEVEL JACKS-AUTO
- (1A4) LEVELING JACK WITHOUT
- (ITA) ITASCA ONLY
- (WIN) WINNEBAGO ONLY
- (265) CODES/STANDARDS-CSA/CMVSS
- (1B1) CODES/STANDARDS USA

**WINNEBAGO** COPYRIGHT 2006 WINNEBAGO INDUSTRIES, INC.

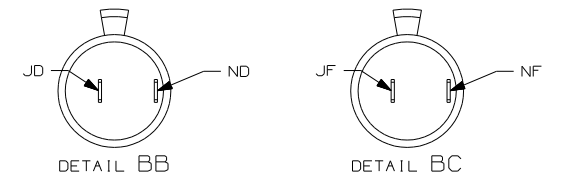
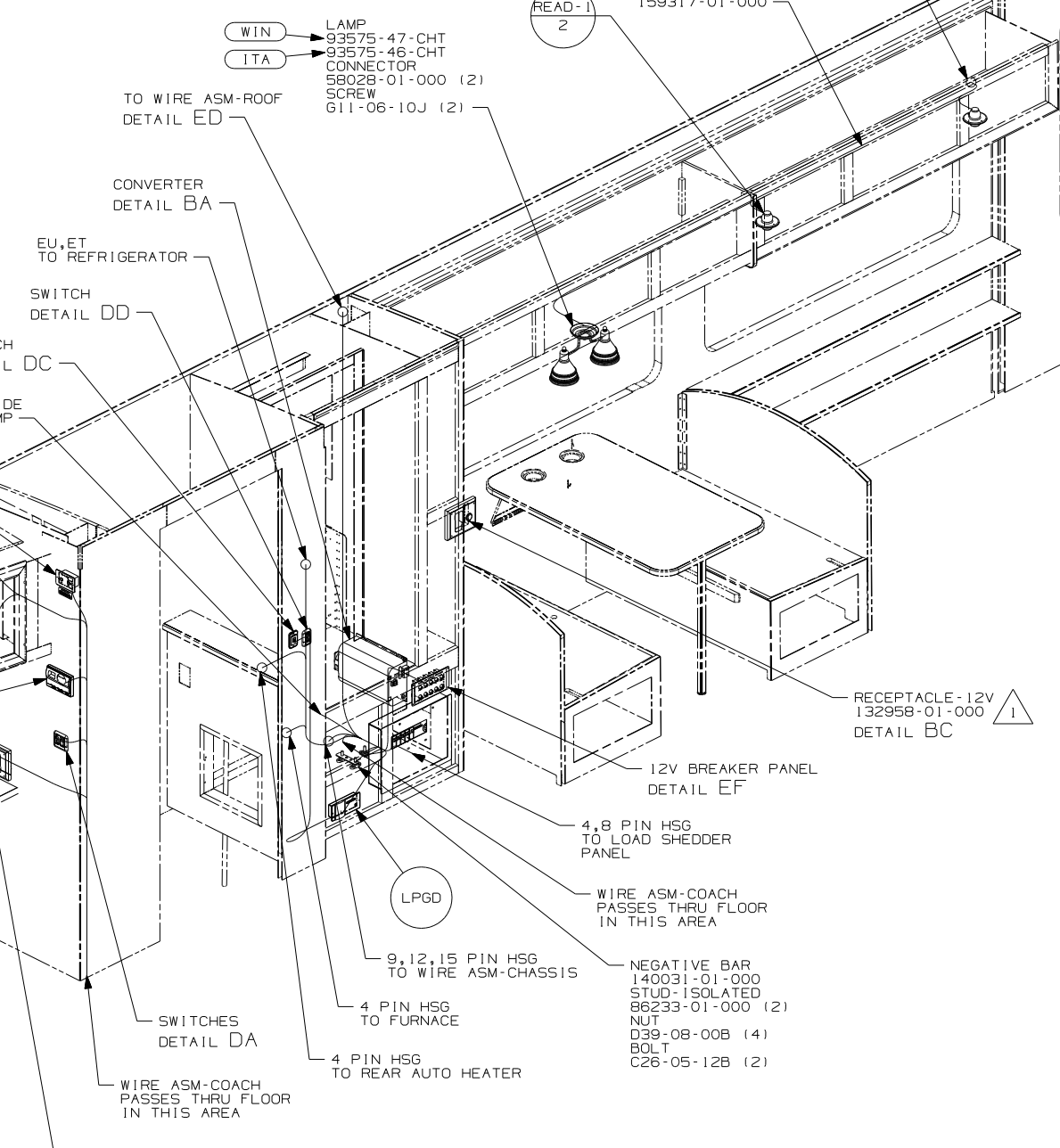
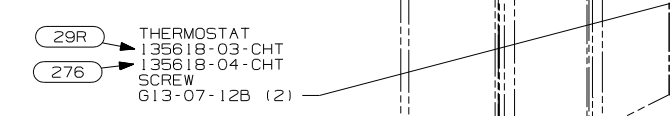
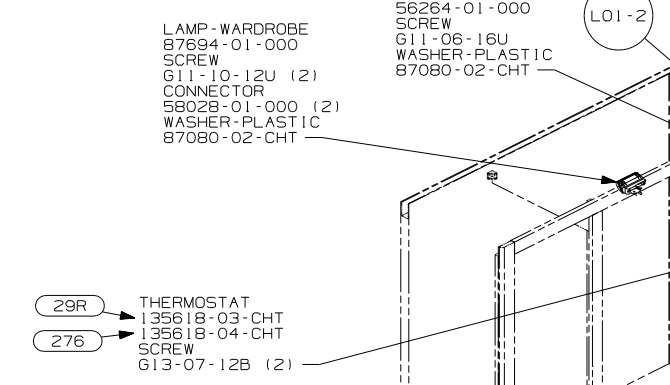
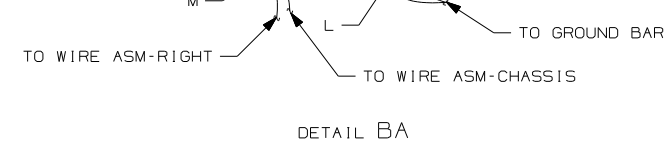
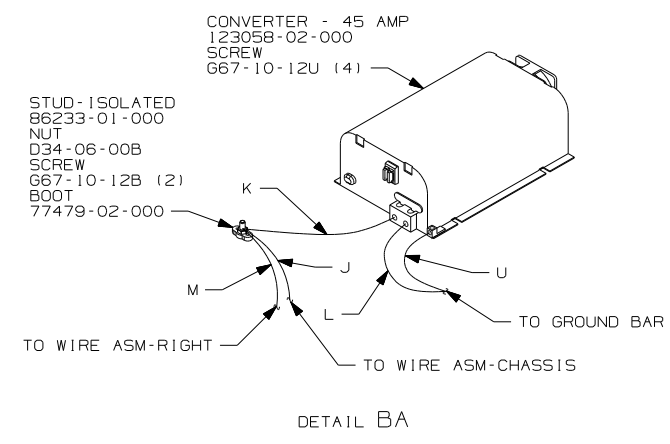
D/FR	ORIG. DATE
CHKR	ALL DIMENSIONS ARE IN MILLIMETERS
P.E.	FIRST USED
M.E.	07 D34A
DSNR	

UNSPECIFIED TOLERANCES ARE:  
 HOLE DIM (X) : 3  
 ONE-PLACE (X.X) : 1.5  
 TWO-PLACE (X.XX) : 0.50  
 ANGLE : 1°

THIRD ANGLE PROJECTION

FOR ELECTRICAL TORQUE SPECIFICATIONS SEE DWG NO. 128783-01-000

(X-X) FOR ELECTRICAL CALLOUTS SEE DWG NO. 121339-01-000



- 3 CONNECT TELEPHONE WIRE TO MATCHING COLORS ON PLATE-WALL, TELEPHONE.
2. ALL WIRES TO BE SECURED WITH CLAMP 10495 OR 10497 OR WIRE TIE 8343 OR 108046 EVERY 600MM, USE SCREW G67-XX-XXX OR G56-XX-XXX AS APPROPRIATE FOR INTALLATION.
- 1 WIRE ROUTED IN SIDEWALL.

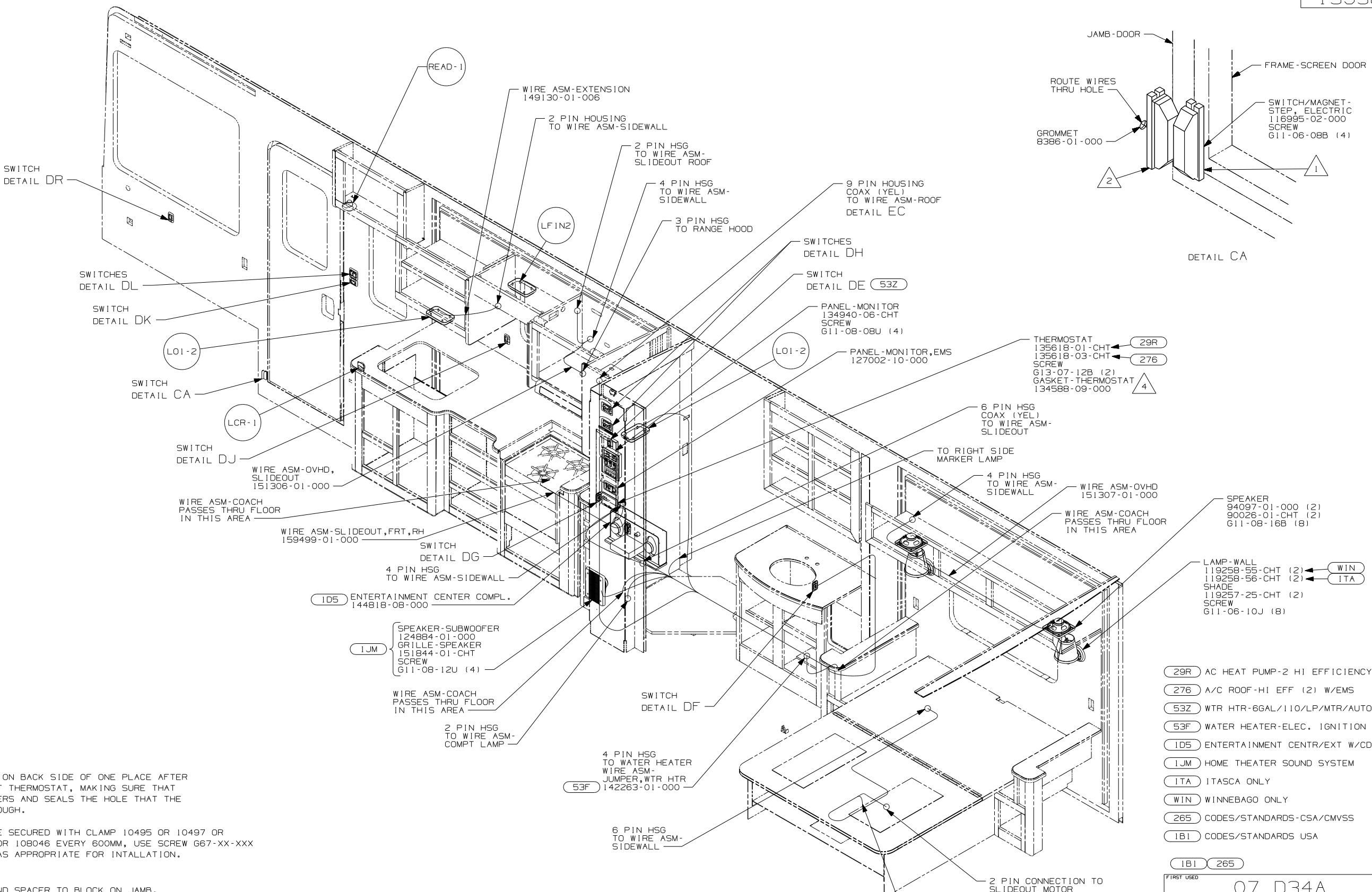
- 29R AC HEAT PUMP-2 HI EFFICIENCY
- 276 A/C ROOF-HI EFF (2) W/EMS
- ITA ITASCA ONLY
- WIN WINNEBAGO ONLY
- 265 CODES/STANDARDS-CSA/CMVSS
- 1B1 CODES/STANDARDS USA

FIRST USED	07 D34A
TITLE	DO NOT SCALE DRAWING
	WIRING INSTL-BODY, 12V
SHEET 2	PART NO 159382 REV

FOR ELECTRICAL TORQUE SPECIFICATIONS SEE DWG NO. 128783-01-000

FOR ELECTRICAL CALLOUTS SEE DWG NO. 121339-01-000





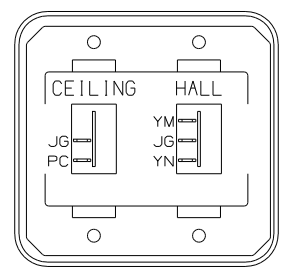
- 4 INSTALL GASKET ON BACK SIDE OF ONE PLACE AFTER INSTALLATION OF THERMOSTAT, MAKING SURE THAT THE GASKET COVERS AND SEALS THE HOLE THAT THE WIRES PASS THROUGH.
3. ALL WIRES TO BE SECURED WITH CLAMP 10495 OR 10497 OR WIRE TIE 8343 OR 108046 EVERY 600MM, USE SCREW G67-XX-XXX OR G56-XX-XXX AS APPROPRIATE FOR INTALLATION.
- 2 MOUNT SWITCH AND SPACER TO BLOCK ON JAMB, ADJUST HEIGHT TO MATCH MAGNET.
- 1 MOUNT MAGNET USING PILOT HOLES IN SCREEN DOOR FRAME. MOUNT WITH MAGNET TOWARD SWITCH.

FOR ELECTRICAL TORQUE SPECIFICATIONS SEE DWG NO. 128783-01-000

X-X FOR ELECTRICAL CALLOUTS SEE DWG NO. 121339-01-000

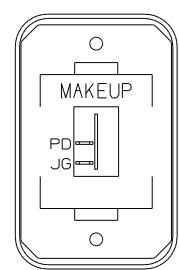
- 29R AC HEAT PUMP-2 HI EFFICIENCY
- 276 A/C ROOF-HI EFF (2) W/EMS
- 53Z WTR HTR-6GAL/110/LP/MTR/AUTO
- 53F WATER HEATER-ELEC. IGNITION
- ID5 ENTERTAINMENT CENTR/EXT W/CD
- 1JM HOME THEATER SOUND SYSTEM
- ITA ITASCA ONLY
- WIN WINNEBAGO ONLY
- 265 CODES/STANDARDS-CSA/CMVSS
- 1B1 CODES/STANDARDS USA

FIRST USED	07 D34A	
TITLE:	DO NOT SCALE DRAWING	
	WIRING INSTL-BODY, 12V	
SHEET 3	PART NO	159382
	REV	



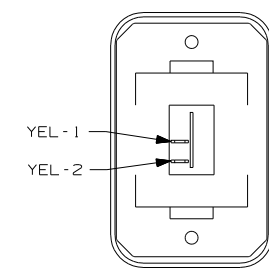
SWITCH-ROCKER  
135740-01-CHT  
135740-02-CHT  
SWITCH-BASE  
135741-01-CHT  
135741-02-CHT  
SWITCH-BEZEL  
135742-16-CHT  
SCREW  
G11-08-08U (4)

DETAIL DA



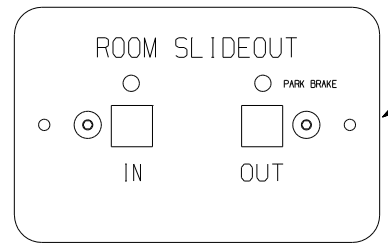
SWITCH-ROCKER  
135740-01-CHT  
SWITCH-BASE  
135741-01-CHT  
SWITCH-BEZEL  
135742-08-CHT  
SCREW  
G11-08-08U (2)

DETAIL DF

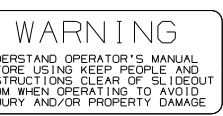


SWITCH-ROCKER  
135740-01-CHT  
SWITCH-BASE  
135741-01-CHT  
SWITCH-BEZEL  
135742-01-CHT  
SCREW  
G11-08-08U (2)

DETAIL DR

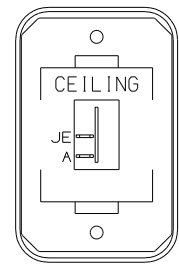


SWITCH ASM-SLIDEOUT  
140464-02-000



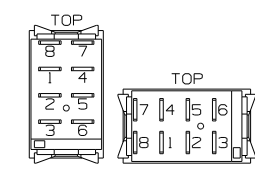
LABEL-WARNING  
116549-02-000

DETAIL DB

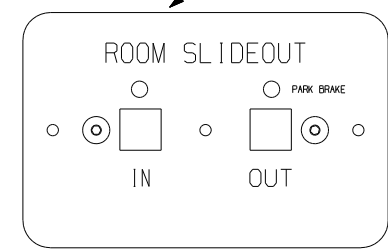


SWITCH-ROCKER  
135740-01-CHT  
SWITCH-BASE  
135741-01-CHT  
SWITCH-BEZEL  
135742-07-CHT  
SCREW  
G11-08-08U (2)

DETAIL DG

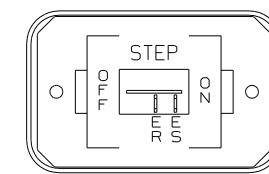


DETAIL DS



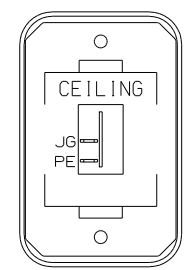
SWITCH ASM-SLIDEOUT  
138173-04-000  
6 PIN HSG  
CIRCUITS NNS,HHF,NNN,  
NNP,HHE,NNR

DETAIL DC



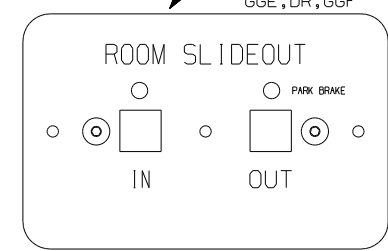
SWITCH-ROCKER  
135740-01-CHT  
SWITCH-BASE  
135741-01-CHT  
SWITCH-BEZEL  
135742-11-CHT  
SCREW  
G11-08-08U (2)

DETAIL DK



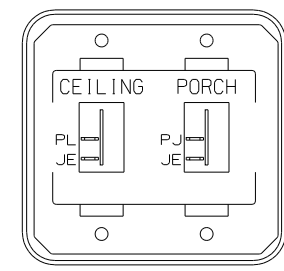
SWITCH-ROCKER  
135740-01-CHT  
SWITCH-BASE  
135741-01-CHT  
SWITCH-BEZEL  
135742-07-CHT  
SCREW  
G11-08-08U (2)

DETAIL DC



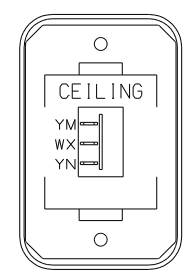
SWITCH ASM-SLIDEOUT  
138173-04-000  
6 PIN HSG  
CIRCUITS DS,DU,GGD,  
GGE,DR,GGF

DETAIL DD



SWITCH-ROCKER  
135740-01-CHT (2)  
SWITCH-BASE  
135741-02-CHT  
SWITCH-BEZEL  
135742-19-CHT  
SCREW  
G11-08-08U (4)

DETAIL DL



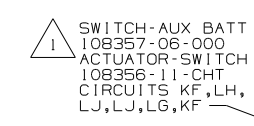
SWITCH-ROCKER  
135740-01-CHT  
SWITCH-BASE  
135741-01-CHT  
SWITCH-BEZEL  
135742-07-CHT  
SCREW  
G11-08-08U (2)

DETAIL DD



LABEL-WARNING  
116549-01-000

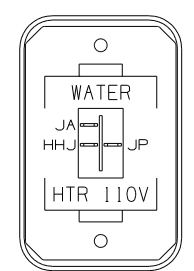
DETAIL DH



SWITCH-AUX BATT  
108357-06-000  
ACTUATOR-SWITCH  
108356-11-CHT  
CIRCUITS KF,LH,  
LJ,LJ,LG,KF

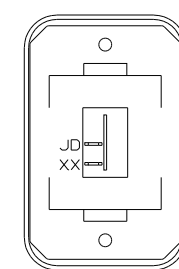
SWITCH-AUTO LEVEL  
108357-18-000  
ACTUATOR-SWITCH  
108356-15-CHT  
CIRCUITS SSD,SSE,  
SSC,SSE,SSF  
SWITCH-BLANK  
96241-03-000

DETAIL DM



SWITCH-ROCKER  
135740-06-CHT  
SWITCH-BASE  
135741-01-CHT  
SWITCH-BEZEL  
135742-35-CHT  
SCREW  
G11-08-08U (2)

DETAIL DE



SWITCH-ROCKER  
135740-01-CHT  
SWITCH-BASE  
135741-01-CHT  
SWITCH-BEZEL  
135742-01-CHT  
SCREW  
G11-08-08U (2)

DETAIL DJ

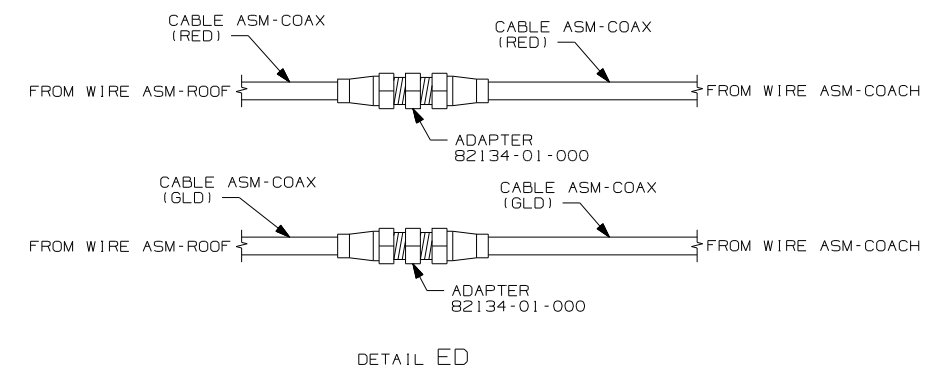
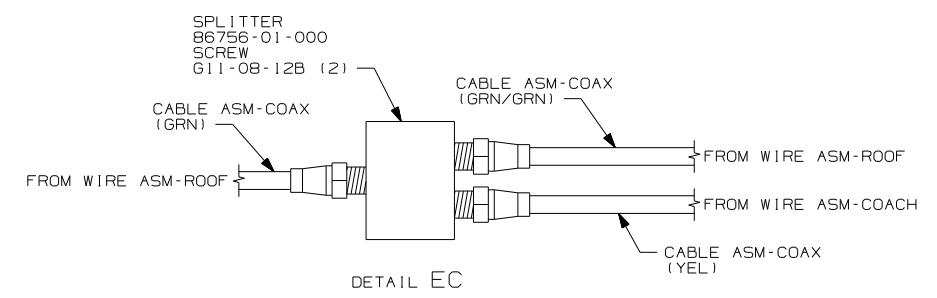
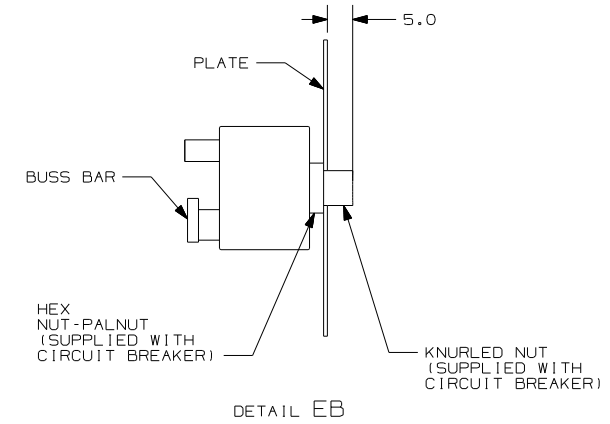
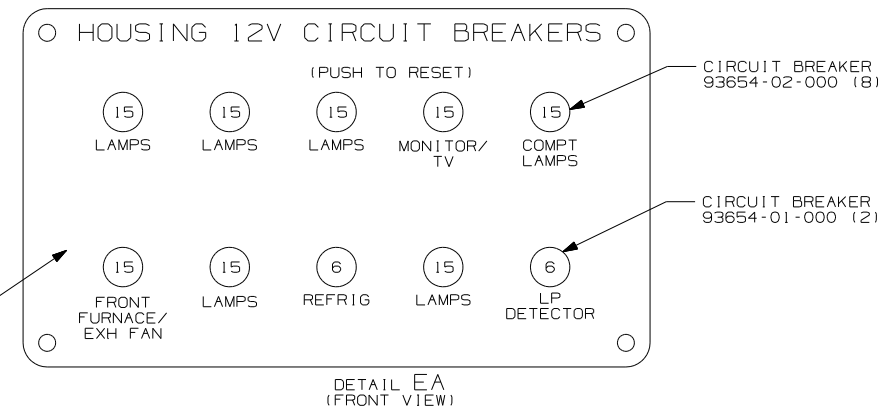
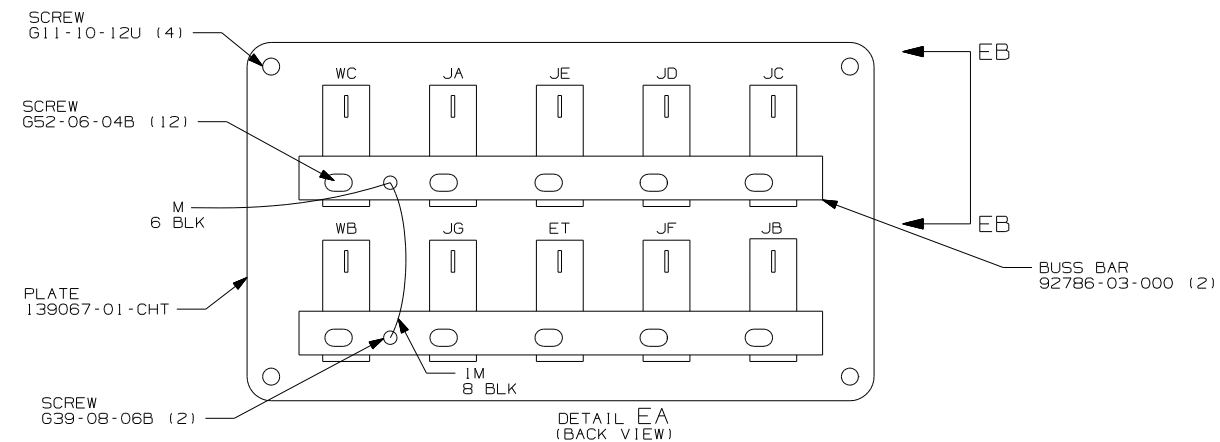
- 60M HYDRAULIC LEVEL JACKS-AUTO
- 53Z WTR HTR-6GAL/110/LP/MTR/AUTO
- 1A4 LEVELING JACK WITHOUT
- 265 CODES/STANDARDS-CSA/CMVSS
- 1B1 CODES/STANDARDS USA

FIRST USED	07 D34A
TITLE	DO NOT SCALE DRAWING
TITLE	WIRING INSTL-BODY,12V
SHEET 4	PART NO 159382 REV

FOR ELECTRICAL TORQUE SPECIFICATIONS SEE DWG NO. 128783-01-000

FOR ELECTRICAL CALLOUTS SEE DWG NO. 121339-01-000

NOTES: FOR SWITCH ORIENTATION SEE DETAIL DS.

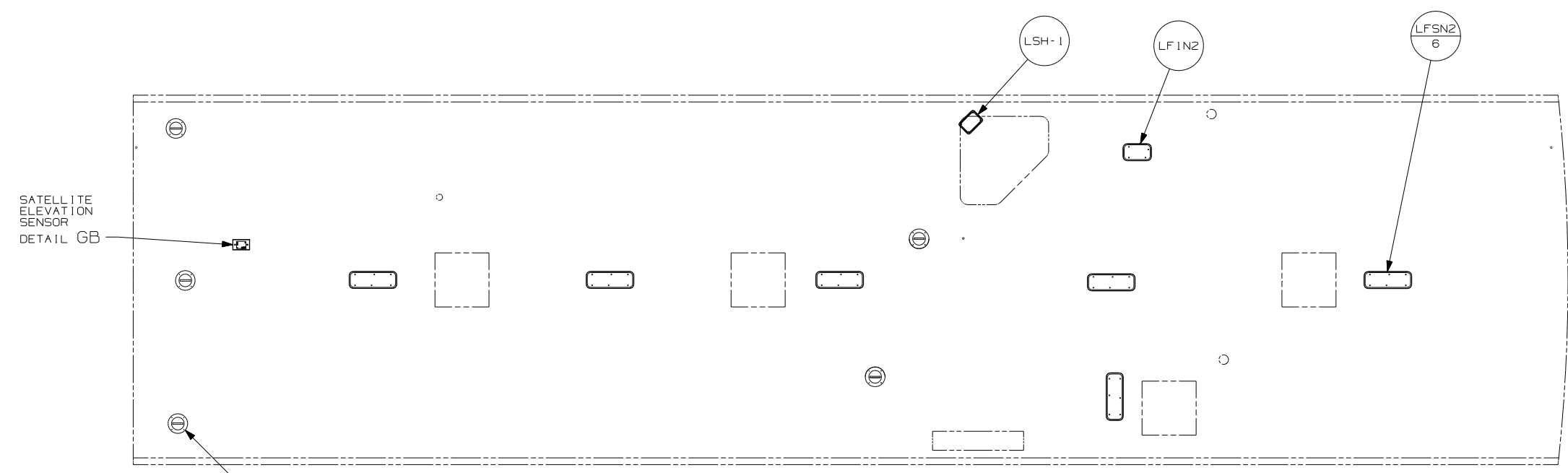


265 CODES/STANDARDS-CSA/CMVSS  
 1B1 CODES/STANDARDS USA  
 1B1 265

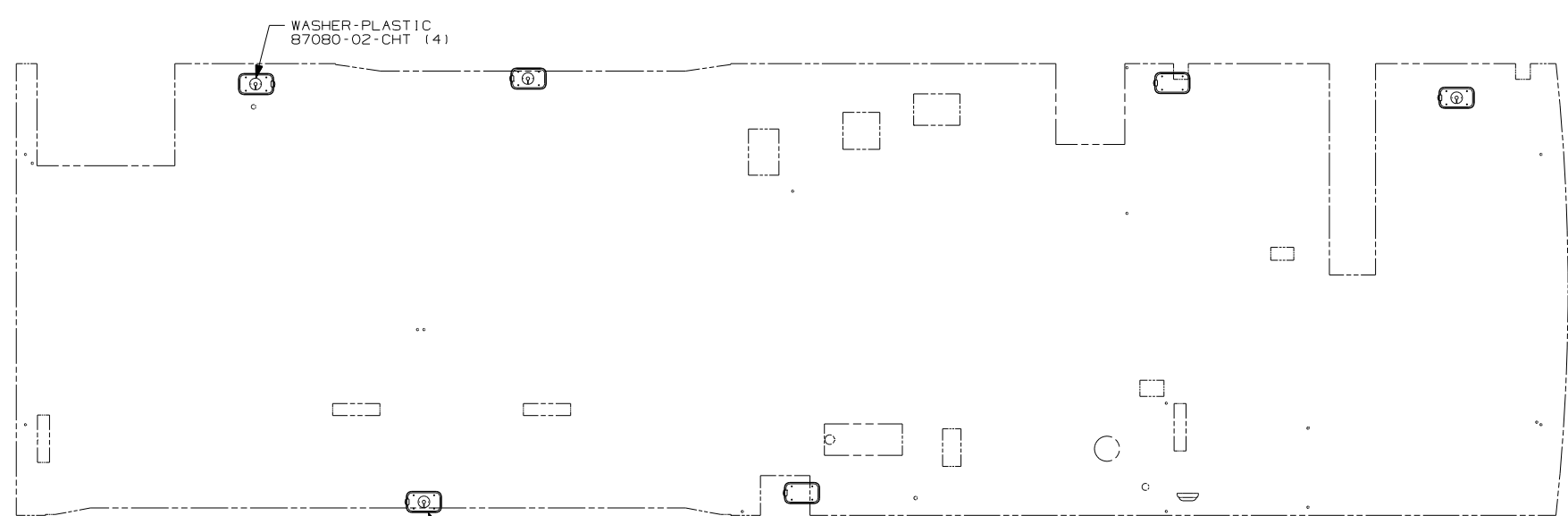
FOR ELECTRICAL TORQUE SPECIFICATIONS SEE DWG NO. 128783-01-000

X-X FOR ELECTRICAL CALLOUTS SEE DWG NO. 121339-01-000

FIRST USED	07 D34A
TITLE	DO NOT SCALE DRAWING
	WIRING INSTL-BODY, 12V
SHEET 5	PART NO 159382 REV



SPEAKER  
160867-01-CHT (15)  
SCREW  
G1208-12-170 (20) } IJM

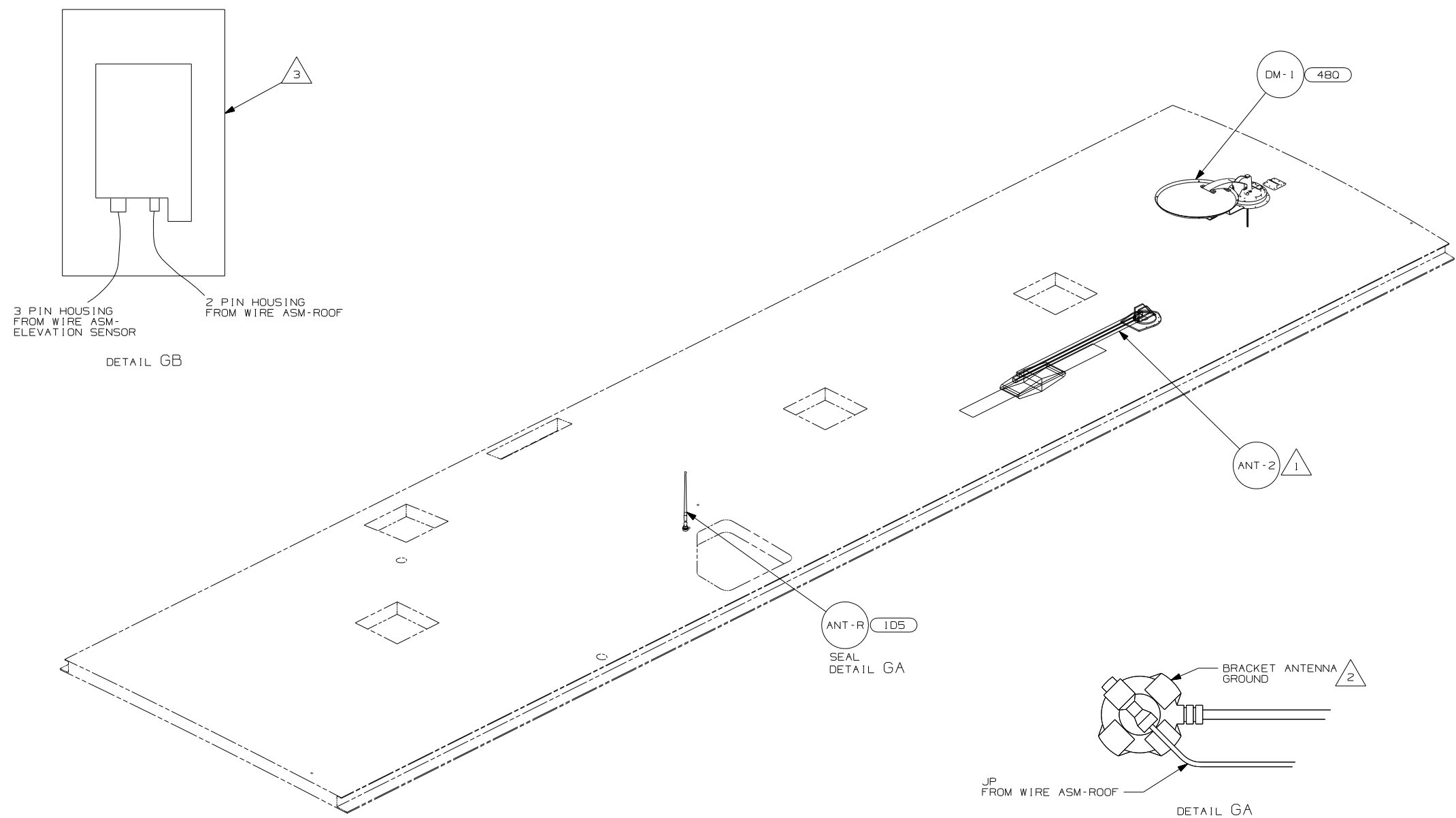


- IJM HOME THEATER SOUND SYSTEM
- 265 CODES/STANDARDS-CSA/CMVSS
- 1B1 FEATURE NOTE

FIRST USED		07 D34A	
DO NOT SCALE DRAWING			
TITLE: WIRING INSTL-BODY, 12V			
SHEET 6	PART NO	159382	REV

FOR ELECTRICAL  
TORQUE  
SPECIFICATIONS  
SEE DWG NO.  
128783-01-000

(X-X)  
FOR  
ELECTRICAL  
CALLOUTS  
SEE DWG NO.  
121339-01-000



3 PIN HOUSING FROM WIRE ASM-ELEVATION SENSOR

2 PIN HOUSING FROM WIRE ASM-ROOF

DETAIL GB

ANT-R 1D5

SEAL

DETAIL GA

BRACKET ANTENNA GROUND 2

JP FROM WIRE ASM-ROOF

DETAIL GA

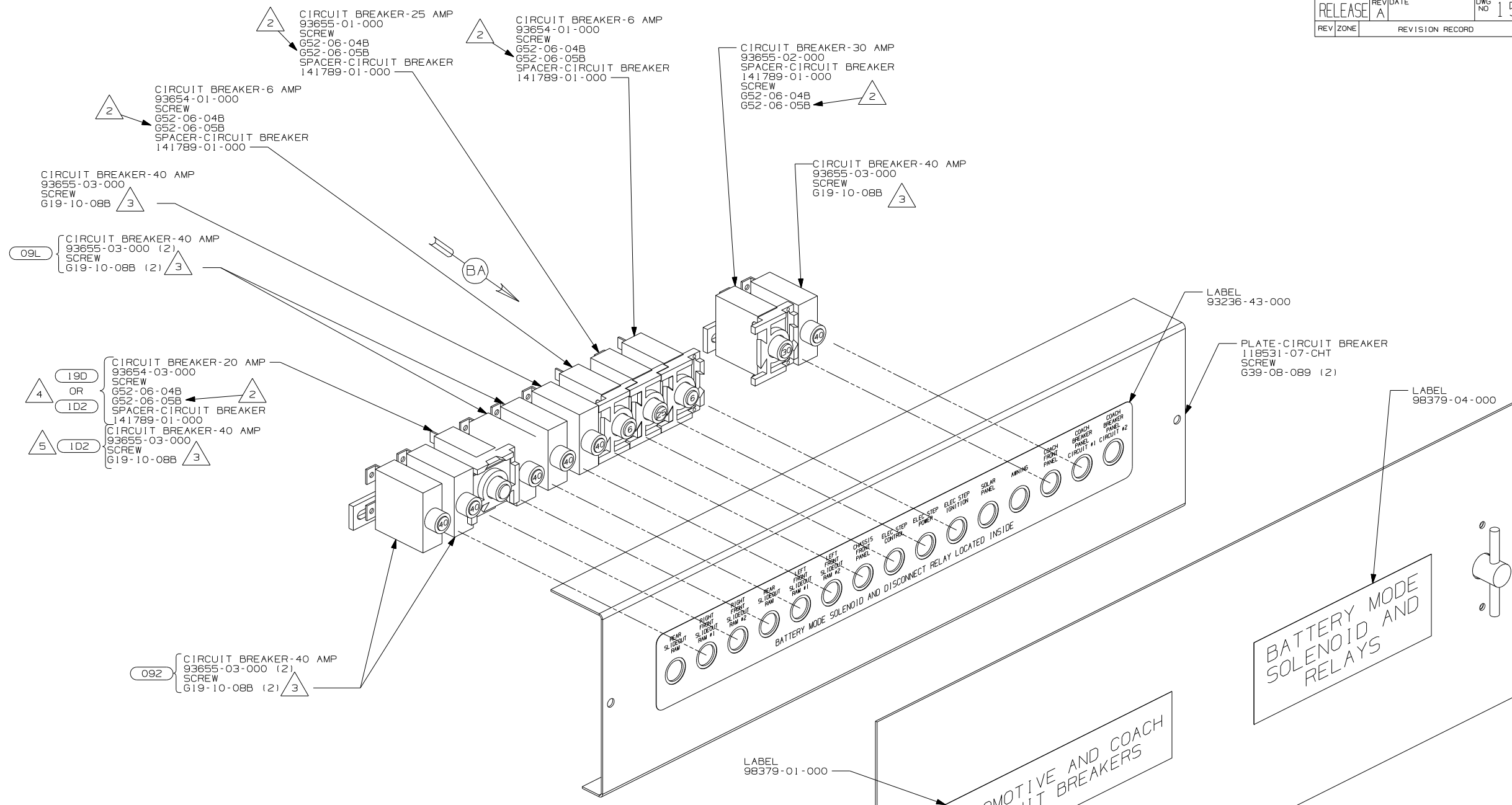
- 480 SATELLITE DISH & ELEV.SENSOR
- 1D5 ENTERTAINMENT CENTR/EXT W/CD
- 265 CODES/STANDARDS-CSA/CMVSS
- 1B1 CODES/STANDARDS USA

FIRST USED	07 D34A
DO NOT SCALE DRAWING	
TITLE:	WIRING INSTL-BODY, 12V
SHEET 7	PART NO 159382 REV

FOR ELECTRICAL TORQUE SPECIFICATIONS SEE DWG NO. 128783-01-000

FOR ELECTRICAL CALLOUTS SEE DWG NO. 121339-01-000

- NOTES:
- 3 SENSOR SUPPLIED WITH SATELLITE ASSEMBLY.
  - 2 WRAP LEGS AROUND ANTENNA BASE.
  - 1 SEE DWG 76319-01-000 FOR INSTALLATION INSTRUCTIONS.



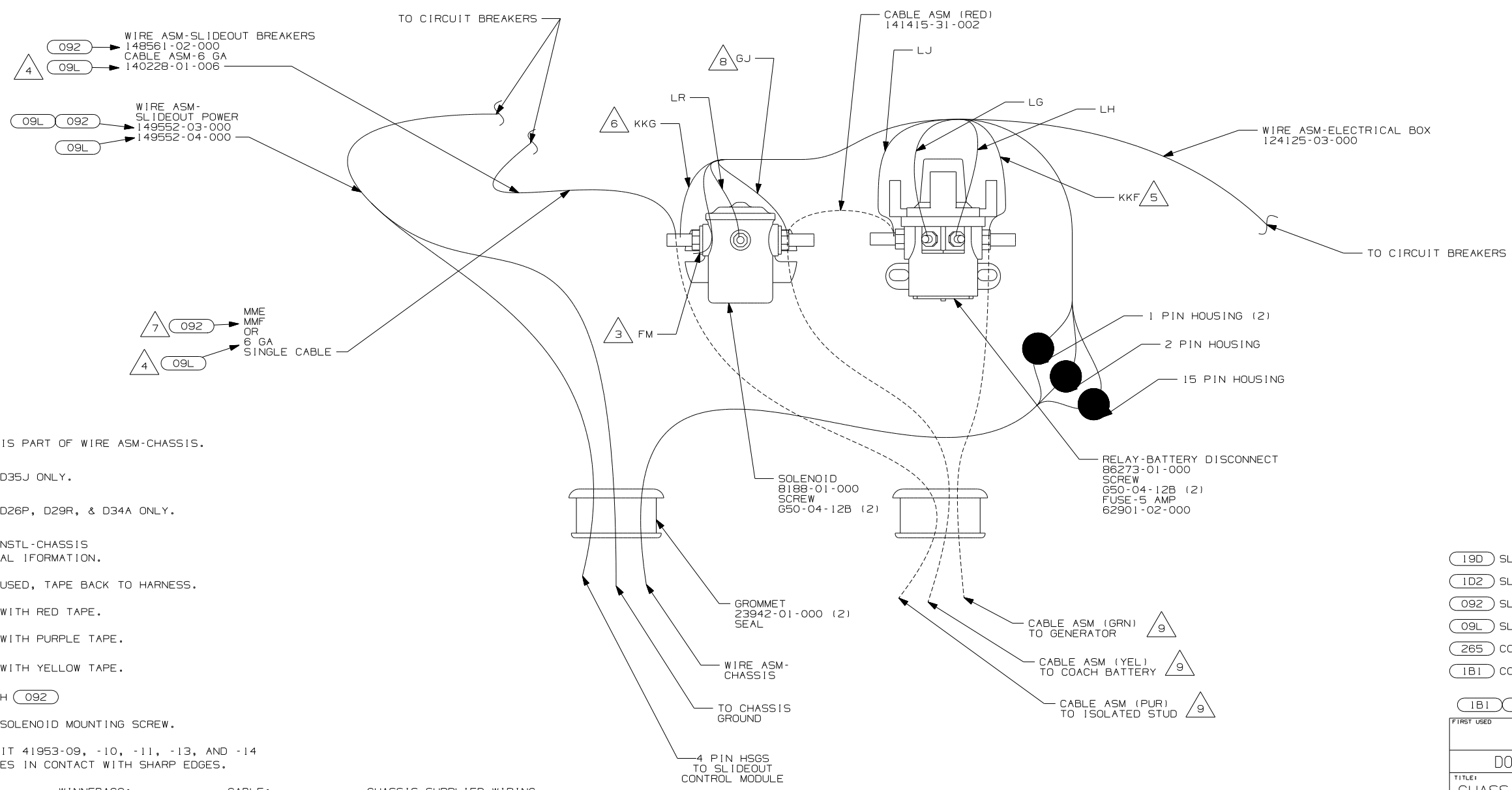
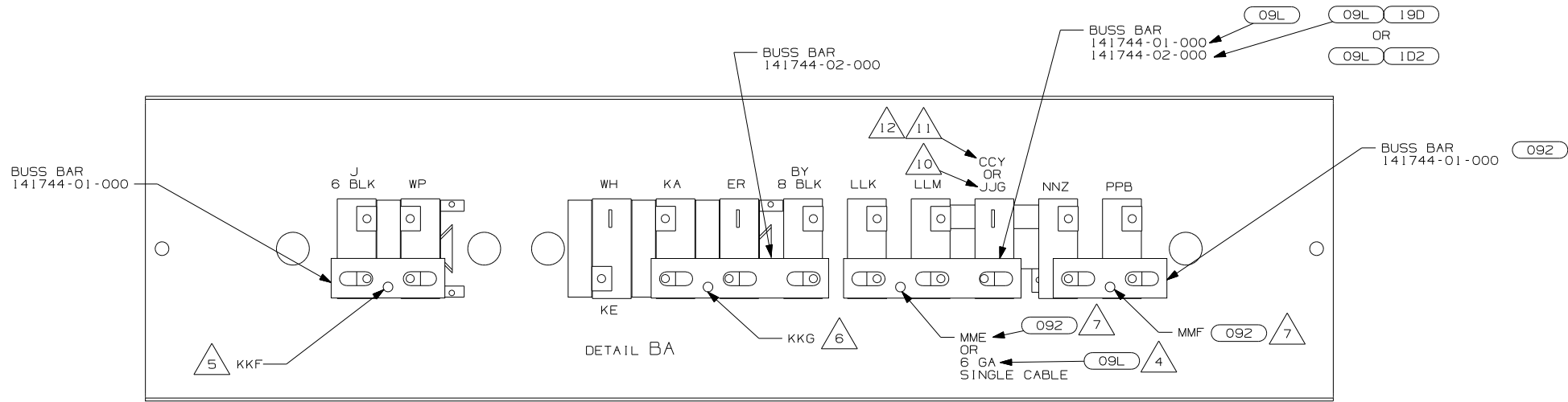
- 5 USED ON THE D35J ONLY.
- 4 USED ON THE D26P, D29R, & D34A ONLY.
- 3 REPLACE EXISTING SCREW TO PROPERLY ATTACH BREAKER TO BUSS BAR.
- 2 USE THE LONGER SCREW TO PROPERLY ATTACH BREAKER TO BUSS BAR.
- 1 PLACE AROUND ENTIRE PERIMETER OF DOOR WITH SEAM AT BOTTOM.

NOTES:

- LATCH 98196-01-000 (2)
- RIVET H15-04-02R (4)
- DOOR-ELECTRICAL SEAL 92492-11-000

- 19D SLIDEOUT ROOM REAR LEFTHAND
- 1D2 SLIDEOUT ROOM-REAR RIGHTHAND
- 092 SLIDEOUT ROOM - FRONT RIGHT
- 09L SLIDEOUT ROOM FRONT LEFT
- 265 CODES/STANDARDS - CSA/CMVSS
- 1B1 CODES/STANDARDS - USA

1B1 265	
<b>WINNEBAGO</b>	
COPYRIGHT 2006 WINNEBAGO INDUSTRIES, INC.	
DFT#	ORIG. DATE
CHKR	ALL DIMENSIONS ARE IN MILLIMETERS
P.E.	
M.E.	FIRST USED
DSNR	06 D-SER
UNSPECIFIED TOLERANCES ARE:	MATERIAL:
WHOLE DIM (X)	:
ONE-PLACE (X.X)	:
TWO-PLACE (X.XX)	:
ANGLE	:
THIRD ANGLE PROJECTION	
DO NOT SCALE DRAWING	
TITLE: CHASSIS ELECTRICAL BOX ASM	
SHEET 1 OF 2	PART NO 154491
REF:	1 2/5/2007



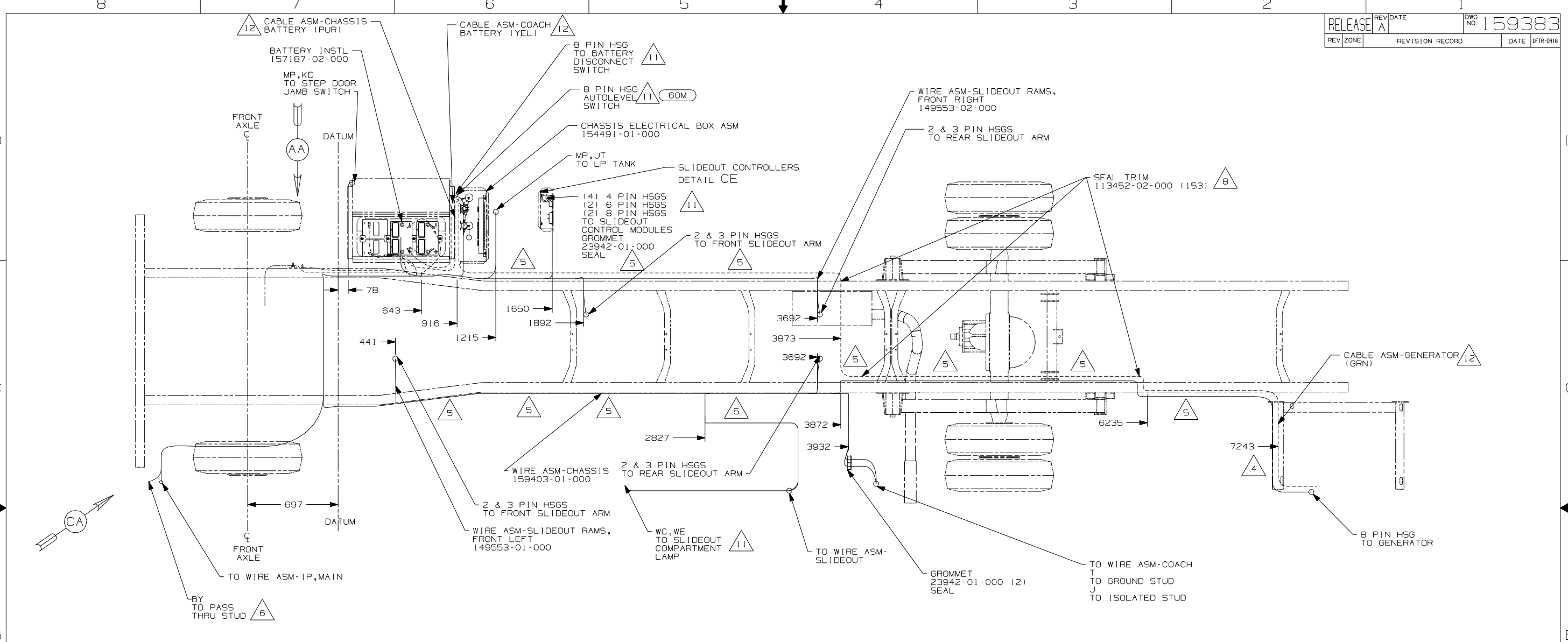
- 12 △ CIRCUIT CCY IS PART OF WIRE ASM-CHASSIS.
- 11 △ USED ON THE D35J ONLY.
- 10 △ USED ON THE D26P, D29R, & D34A ONLY.
- 9 △ SEE WIRING INSTL-CHASSIS FOR ADDITIONAL INFORMATION.
- 8 △ CIRCUIT NOT USED, TAPE BACK TO HARNESS.
- 7 △ WIRE MARKED WITH RED TAPE.
- 6 △ WIRE MARKED WITH PURPLE TAPE.
- 5 △ WIRE MARKED WITH YELLOW TAPE.
- 4 △ NOT USED WITH 092
- 3 △ SECURE WITH SOLENOID MOUNTING SCREW.

2. SECURE CONDUIT 41953-09, -10, -11, -13, AND -14 OVER ALL WIRES IN CONTACT WITH SHARP EDGES.

1. LEGEND: — WINNEBAGO: - - - - - CABLE: - - - - - CHASSIS SUPPLIED WIRING.

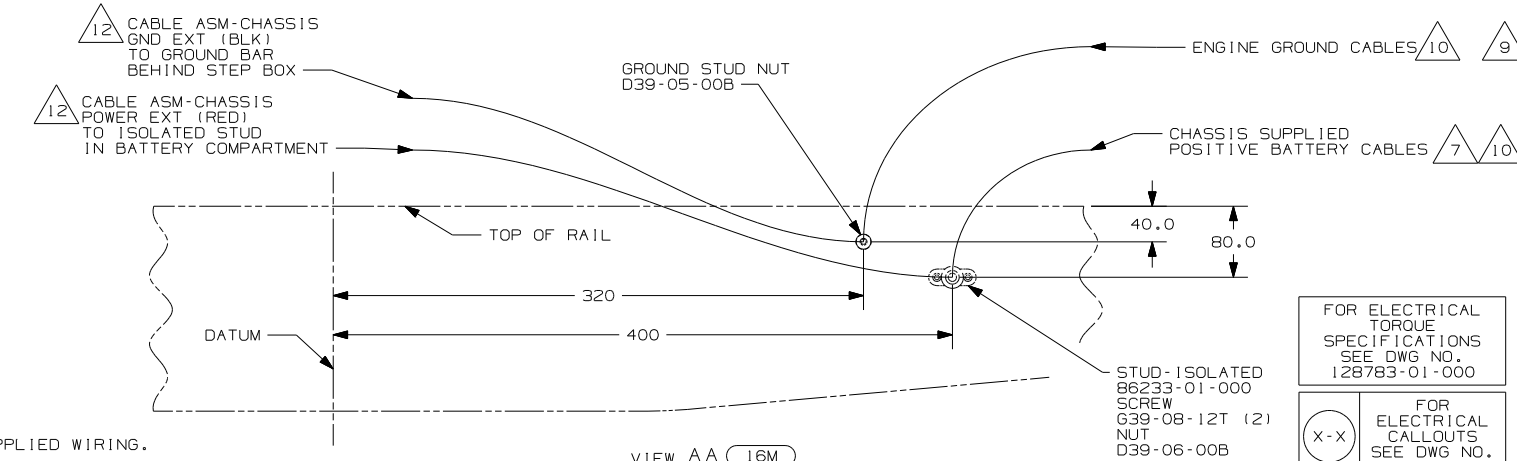
- 19D SLIDEOUT ROOM REAR LEFTHAND
- 1D2 SLIDEOUT ROOM-REAR RIFTHAND
- 092 SLIDEOUT ROOM - FRONT RIGHT
- 09L SLIDEOUT ROOM FRONT LEFT
- 265 CODES/STANDARDS - CSA/CMVSS
- 1B1 CODES/STANDARDS - USA

FIRST USED		06 D-SER	
DO NOT SCALE DRAWING			
TITLE: CHASSIS ELECTRICAL BOX ASM			
SHEET 2	PART NO	154491	REV



- 12 SEE BATTERY INSTALLATION FOR ADDITIONAL INFORMATION.
  - 11 SEE WIRING INSTL-BODY,12 FOR ADDITIONAL INFORMATION
  - 10 SUPPLIED WITH CHASSIS.
  - 9 CUT CHASSIS SUPPLIED BATTERY GROUND CABLE 700mm FROM BATTERY TERMINAL AND ADD TERMINAL 8348-01-000 TO CUT END.
  - 8 COVER SHARP EDGES WHERE WIRE CROSSES FRAME RAILS.
  - 7 CUT CHASSIS SUPPLIED POSITIVE BATTERY CABLE 150mm FROM BATTERY TERMINAL END, DISCARD TERMINAL END AND ADD TERMINAL 113738-01-000 TO CUT END. COIL EXCESS CABLE ALONG FRAME RAIL JUST BEHIND THE RADIATOR AND TIE UP WITH TIE-WIRE 8343-04-000.
  - 6 SEE WIRING INSTL-FRONT END FOR ADDITIONAL INFORMATION.
  - 5 CLAMP 83610-01-000, SCREW G11-10-16B.
  - 4 WIRE TIE 8343-04-00. FASTEN EVERY 600mm MINIMUM.
3. ALL DIMENSIONS ARE FROM DATUM UNLESS OTHERWISE SPECIFIED.
2. SECURE CONDUIT 41953, TAB AS REQUIRED, OVER ALL WIRES IN CONTACT WITH SHARP EDGES.
1. LEGEND: — WINNEBAGO: - - - - - CABLE: - - - - - CHASSIS SUPPLIED WIRING.

- 60M HYDRAULIC LEVEL JACKS-AUTO
- 16M FORD CHASSIS - 20,500# GVWR
- 265 CODES/STANDARDS - CSA/CMVSS
- 1B1 CODES/STANDARDS - USA

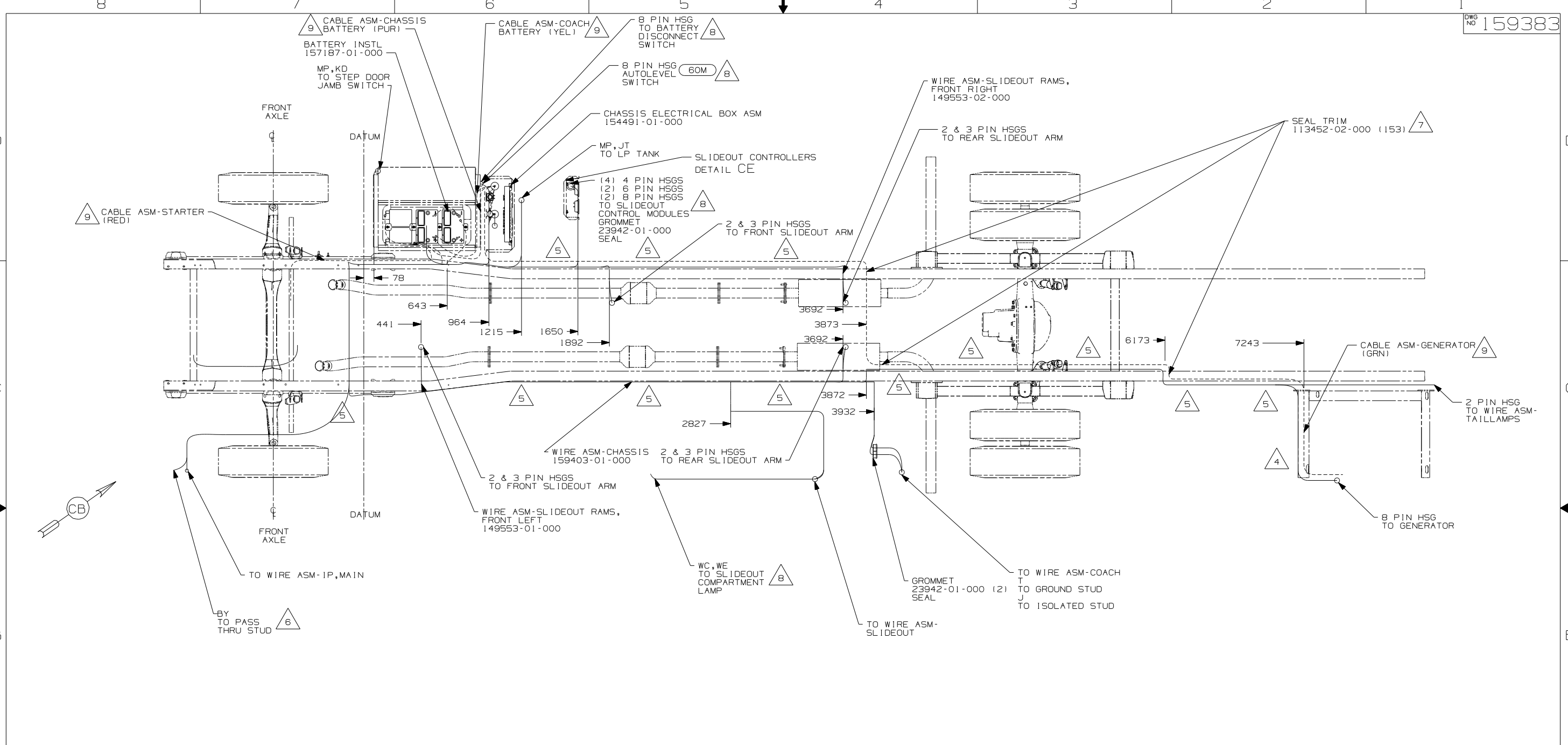


FOR ELECTRICAL TORQUE SPECIFICATIONS SEE DWG NO. 128783-01-000

FOR ELECTRICAL CALLOUTS SEE DWG NO. 121339-01-000

<b>WINNEBAGO</b>		COPYRIGHT 2006 WINNEBAGO INDUSTRIES, INC.	
DFTR	ORIG. DATE	ALL DIMENSIONS ARE IN MILLIMETERS	
CHKR		07 D34A	
P.E.			
M.E.	FIRST USED		
DSNR			
UNSPECIFIED TOLERANCES ARE:		MATERIAL:	
WHOLE DIM (X)	: 1		
ONE-PLACE (X.X)	: 1.5		
TWO-PLACE (X.XX)	: 0.50		
ANGLE	: 1°		
THIRD ANGLE PROJECTION			
DO NOT SCALE DRAWING			
TITLE: WIRING INSTL-CHASSIS			
SHEET 1 of 3	PART NO	159383	REV
REF:	1 6/30/2006		





- 9 SEE BATTERY INSTALLATION FOR ADDITIONAL INFORMATION.
- 8 SEE WIRING INSTL-12V, BODY FOR ADDITIONAL INFORMATION.
- 7 COVER SHARP EDGES WHERE WIRE CROSSES FRAME RAIL.
- 6 SEE WIRING INSTL-FRONT END FOR ADDITIONAL INFORMATION.
- 5 CLAMP 83610-01-000, SCREW G11-10-16B.
- 4 WIRE TIE 8343-04-000. FASTEN EVERY 600mm MINIMUM.

3. ALL DIMENSIONS ARE FROM DATUM UNLESS OTHERWISE SPECIFIED.  
 2. SECURE CONDUIT 41953, TAB AS REQUIRED, OVER ALL WIRES IN CONTACT WITH SHARP EDGES.  
 1. LEGEND: — WINNEBAGO: - - - - - CABLE: - - - - - CHASSIS SUPPLIED WIRING.

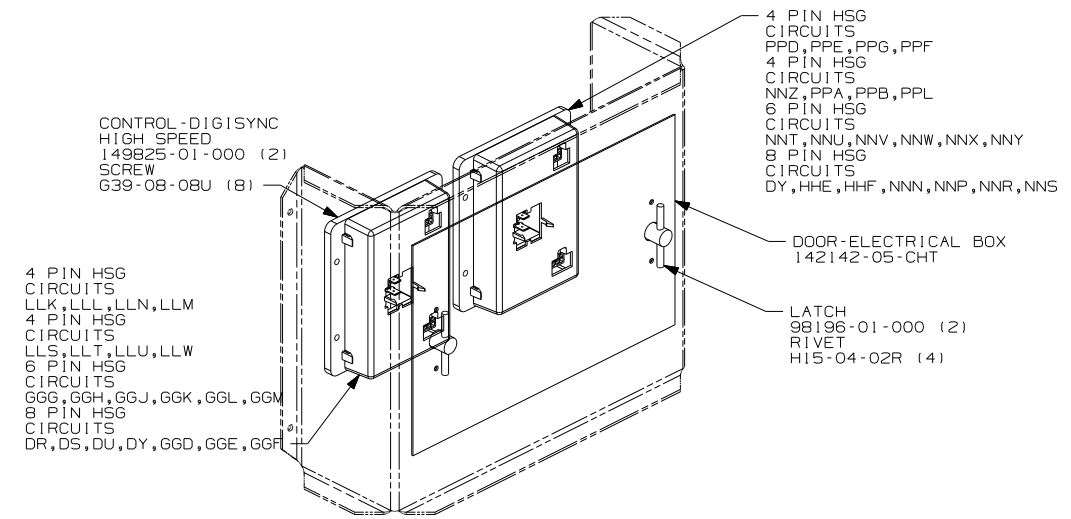
- 60M HYDRAULIC LEVEL JACKS-AUTO
- 265 CODES/STANDARDS - CSA/CMVSS
- 1PN WORKHORSE CHASSIS - 20,700# GVWR
- 1B1 CODES/STANDARDS - USA

1B1 1PN 265

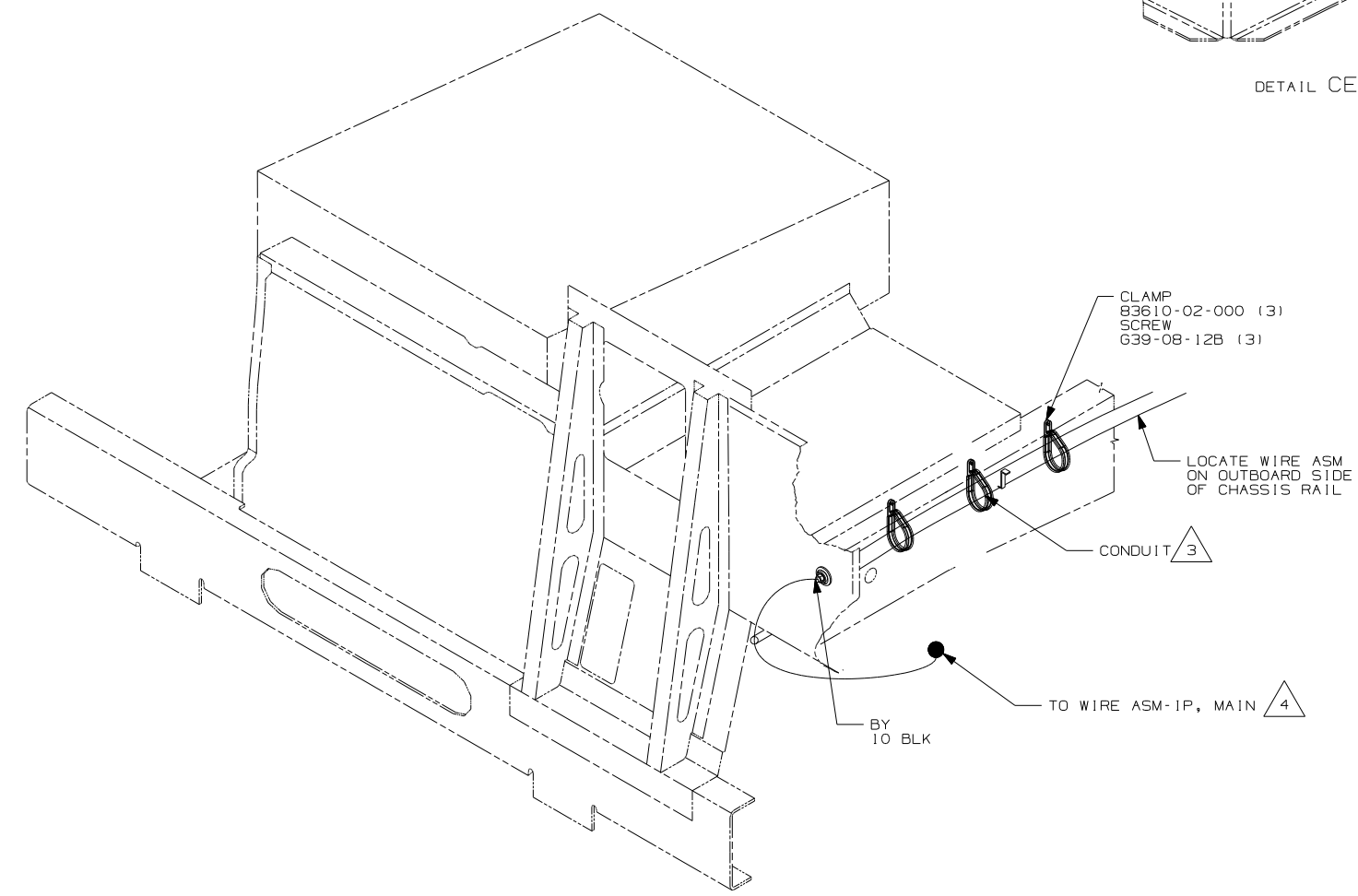
FIRST USED	07 D34A
TITLE	DO NOT SCALE DRAWING
TITLE	WIRING INSTL-CHASSIS
SHEET 2	PART NO 159383 REV

FOR ELECTRICAL TORQUE SPECIFICATIONS SEE DWG NO. 128783-01-000

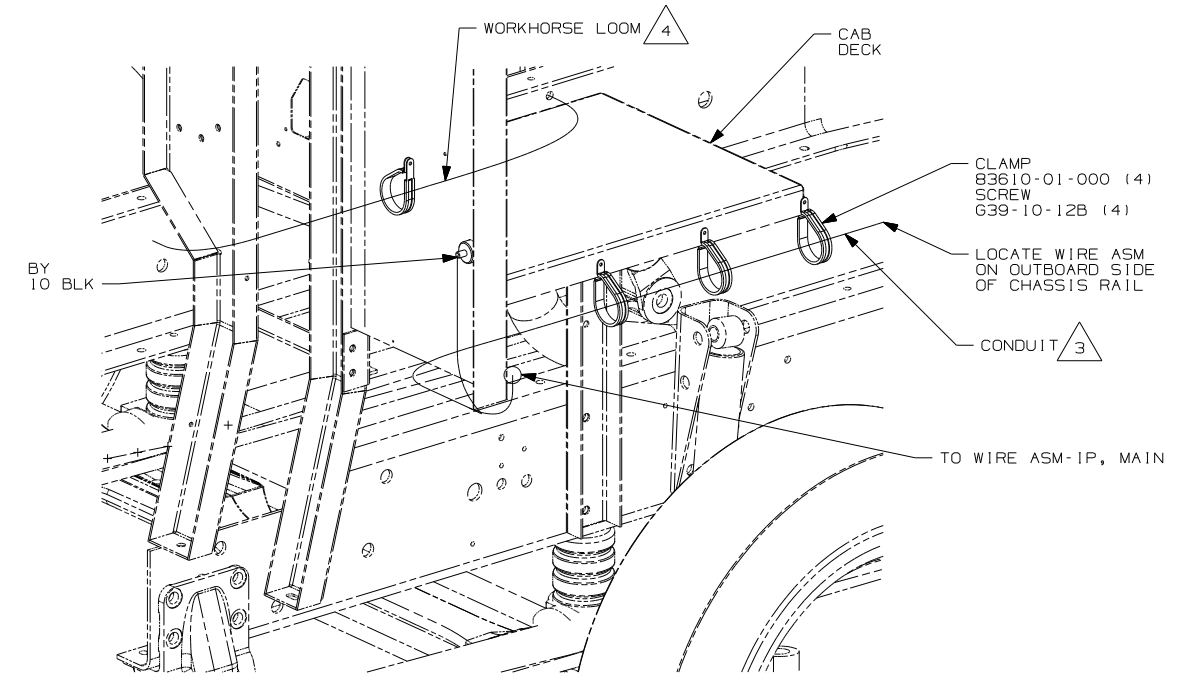
FOR ELECTRICAL CALLOUTS SEE DWG NO. 121339-01-000



DETAIL CE



VIEW CA 16M



VIEW CB 1PN

- 265 CODES/STANDARDS - CSA/CMVSS
- 1PN WORKHORSE 20,700#
- 1B1 CODES/STANDARDS - USA
- 16M FORD CHASSIS - 20,500# GVWR

4. CLAMP WORKHORSE ENGINE HARNESS TO CAB DECK TO PROTECT HARNESS FROM DAMAGE.
3. COVER WITH CONDUIT 41953-10-000 AND 41953-11-000 AS REQUIRED.
2. CONNECT CABLES TO COACH SIDE OF BATTERY DISCONNECT WHEN BATTERY DISCONNECT IS USED.
1. LEGEND: — WINNEBAGO: - - - - - CABLE: - - - - - CHASSIS SUPPLIED WIRING.

NOTES:

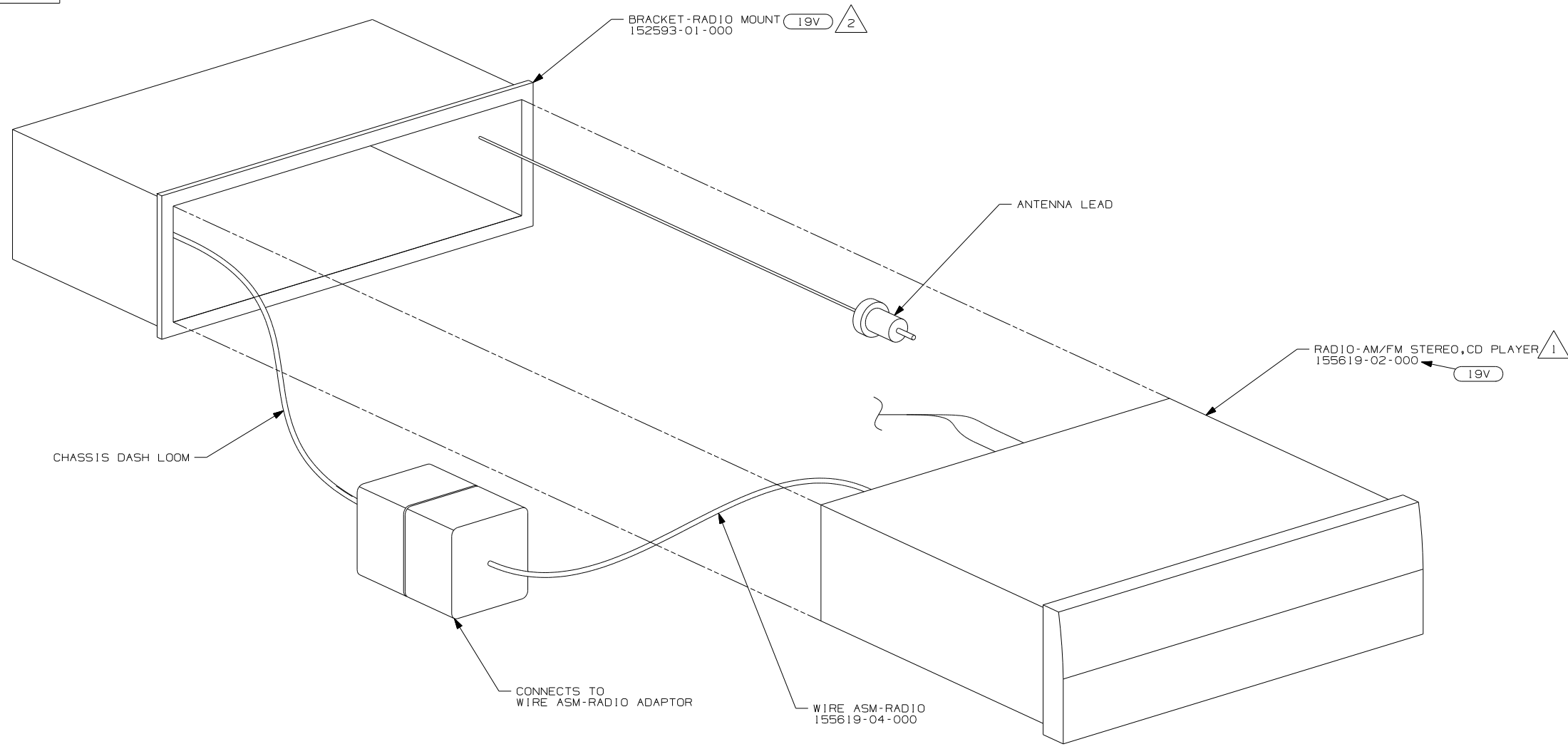
FOR ELECTRICAL TORQUE SPECIFICATIONS SEE DWG NO. 128783-01-000

FOR ELECTRICAL CALLOUTS SEE DWG NO. 121339-01-000

FIRST USED	
07 D34A	
DO NOT SCALE DRAWING	
TITLE: WIRING INSTL-CHASSIS	
SHEET 3	PART NO 159383 REV

DRAWING NO.	SHEET	SERIES
156331-01	1	200
156331-02	2	300 & 700
156331-03	3	500
156331-04	4	D,F,G,P,R,S-SERIES
156331-05	5	E-SERIES

RELEASE	REV DATE	OWG NO	156331
REV ZONE	REVISION RECORD	DATE	DFTR-ORIG



19V RADIO-AM/FM STEREO CD PLAYER (FORD CHASSIS ONLY)

**WINNEBAGO** COPYRIGHT 2006 WINNEBAGO INDUSTRIES, INC.

DFTR	ORIG. DATE
CHKR	ALL DIMENSIONS ARE IN MILLIMETERS
P.E.	FIRST USED
M.E.	07 MOTORHOMES
DSNR	

UNSPECIFIED TOLERANCES ARE: MATERIAL:

WHOLE DIM (X)	:
ONE-PLACE (X.X)	:
TWO-PLACE (X.XX)	:
ANGLE	:

THIRD ANGLE PROJECTION

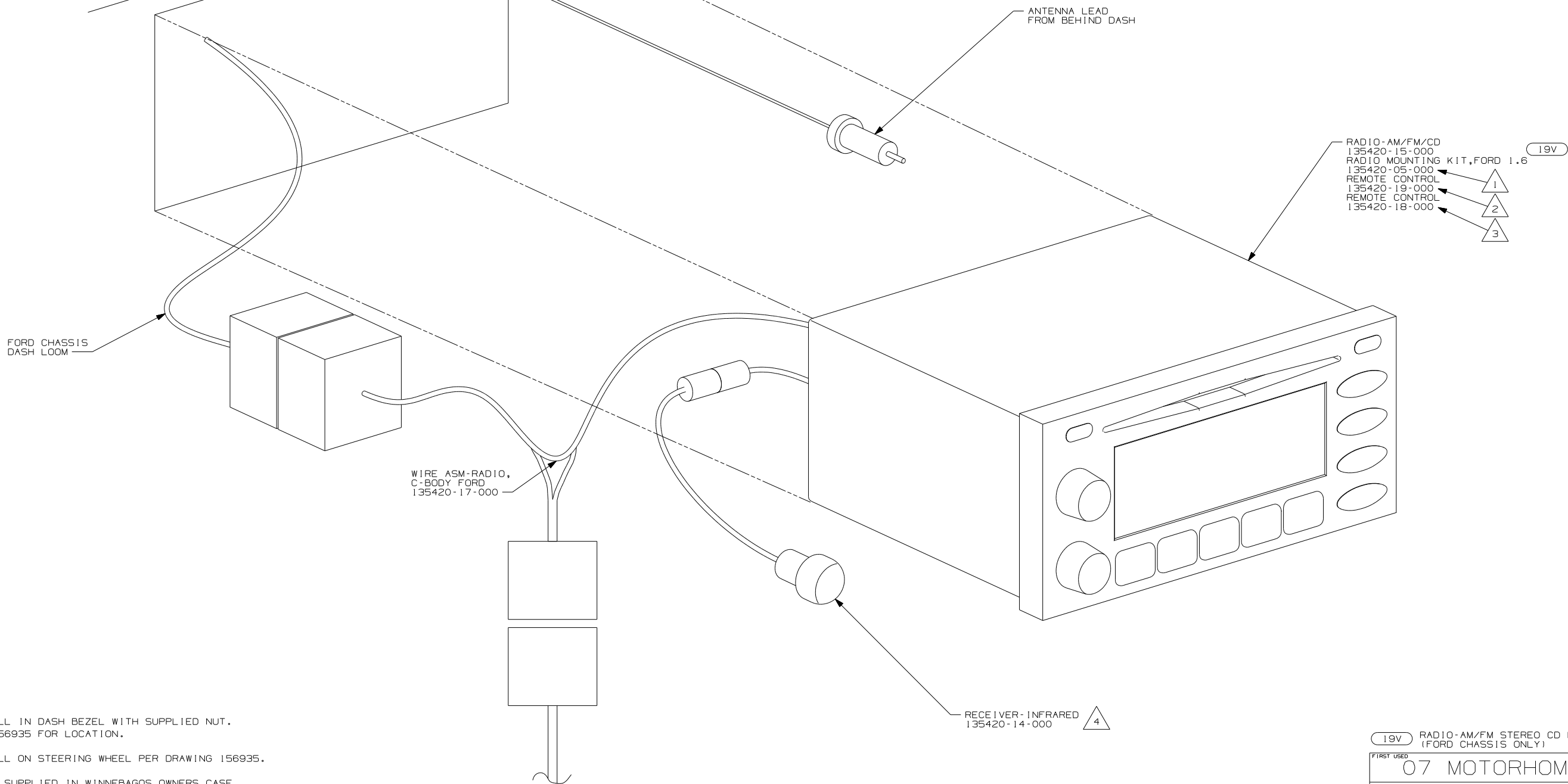
DO NOT SCALE DRAWING

TITLE: RADIO INSTL

SHEET 1 OF 5 PART NO 156331 REV

REF: 1 8/16/2006

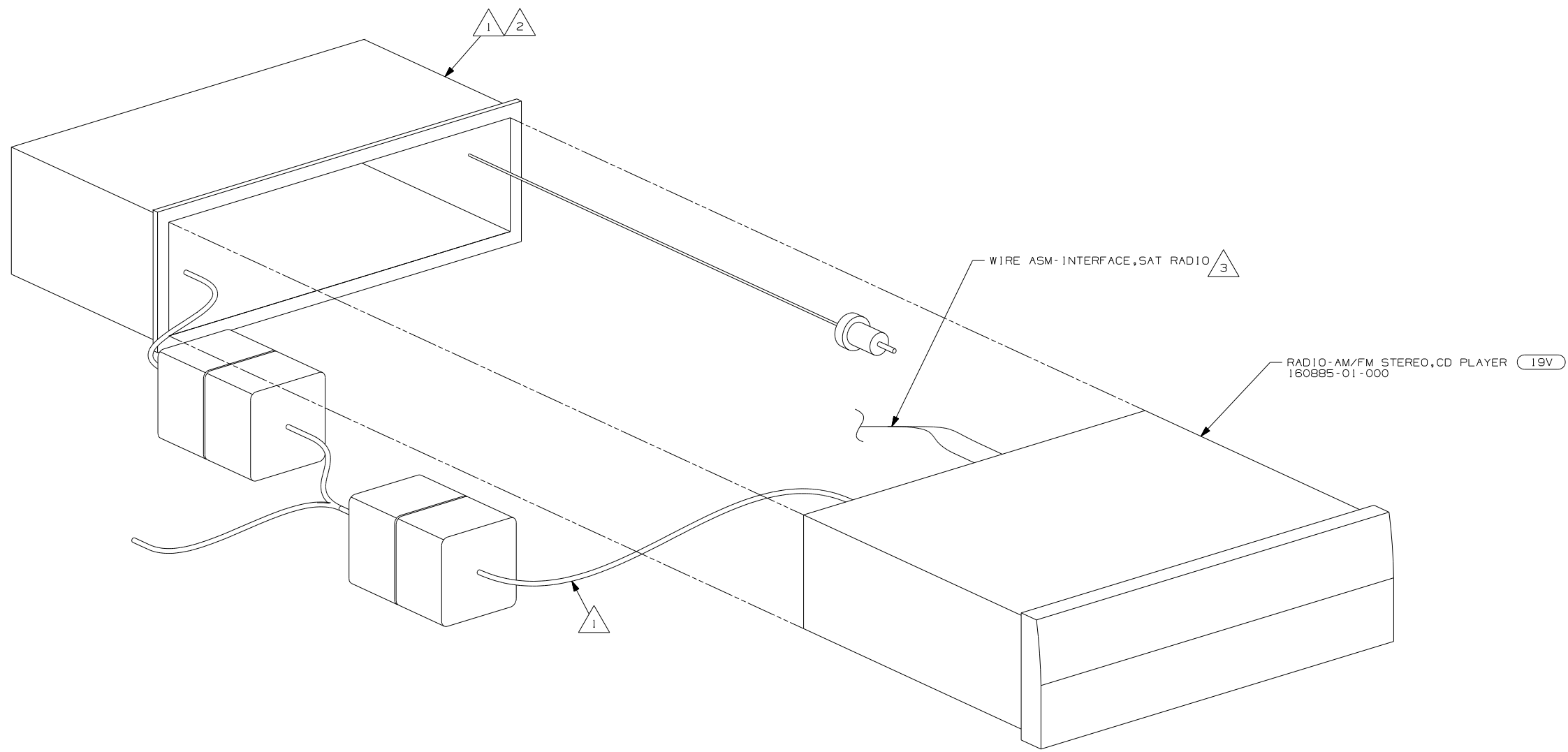
- NOTES:
- 2 INSTALL REAR RADIO SUPPORT BRACKET, ENGAGING T-RAIL ON BOTTOM OF RADIO UNTIL LOCKED IN PLACE.
  - 1 BEND TABS ON ALL 4 SIDES TO SECURE RADIO MOUNTING BRACKET TO DASH MOUNTING BRACKET.



- 4 INSTALL IN DASH BEZEL WITH SUPPLIED NUT. SEE 156935 FOR LOCATION.
- 3 INSTALL ON STEERING WHEEL PER DRAWING 156935.
- 2 TO BE SUPPLIED IN WINNEBAGOS OWNERS CASE
- 1 INSTALL REAR RADIO SUPPORT BRACKET, ENGAGING T-RAIL ON BOTTOM OF RADIO UNTIL LOCKED IN PLACE.

NOTES:

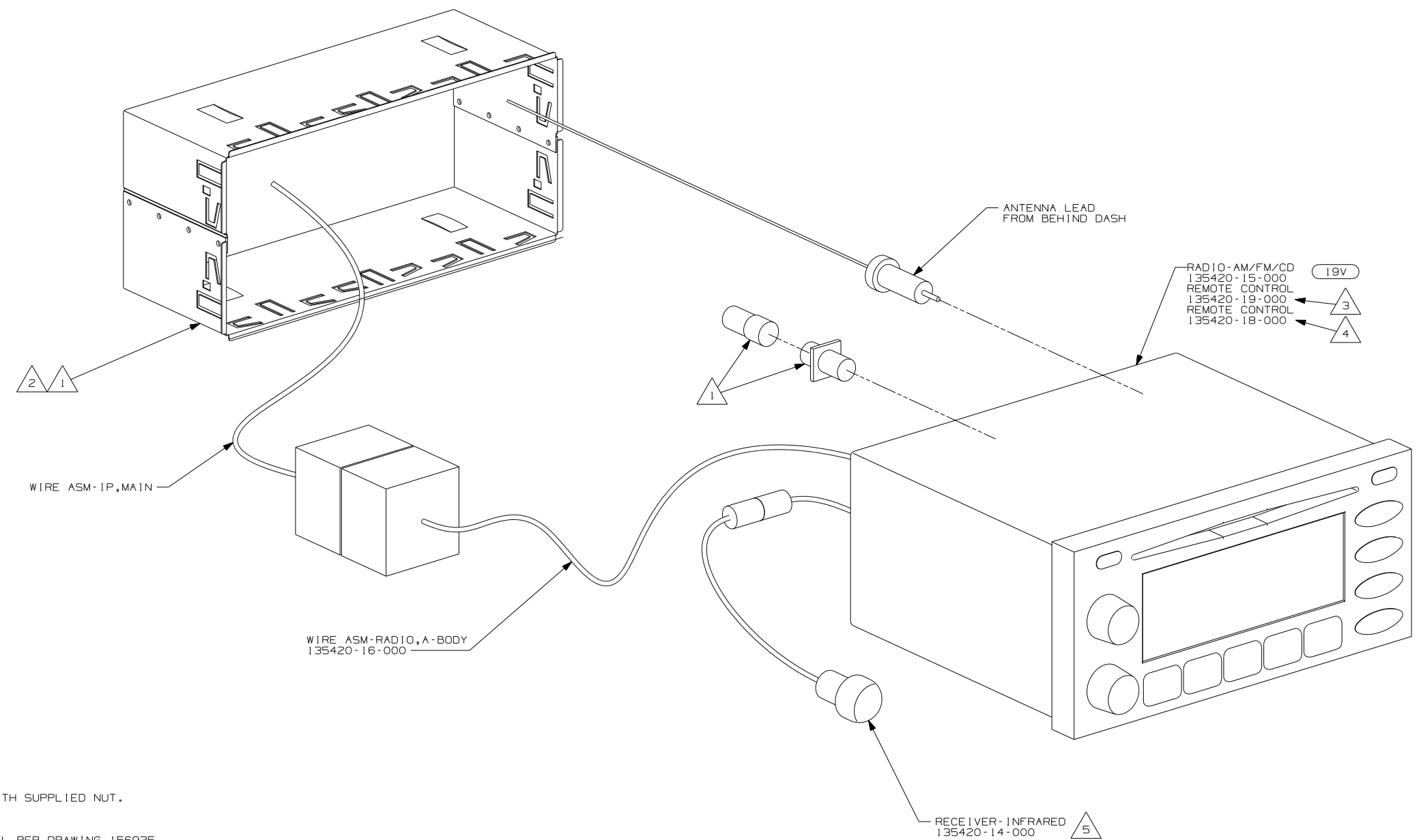
19V	RADIO-AM/FM STEREO CD PLAYER (FORD CHASSIS ONLY)
FIRST USED	07 MOTORHOMES
TITLE:	DO NOT SCALE DRAWING
	RADIO INSTL
SHEET 2	PART NO 156331 REV



- NOTES:
- △ 3 TO SATELLITE RECEIVER. SEE ANTENNA INSTL - RADIO & CB FOR ADDITIONAL INFORMATION.
  - △ 2 BEND TABS ON ALL 4 SIDES TO SECURE MOUNTING BRACKET TO DASH OPENING.
  - △ 1 SUPPLIED WITH RADIO

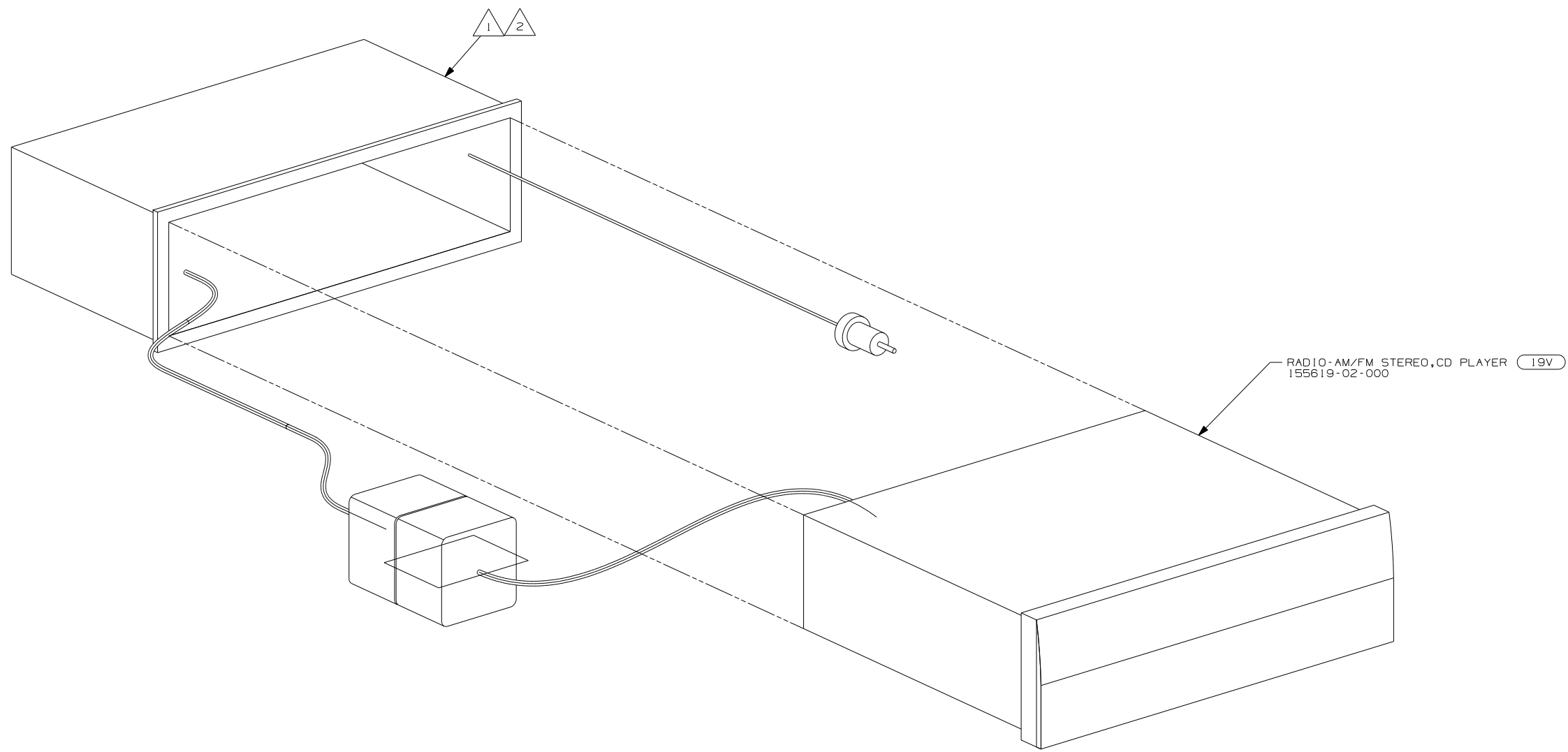
19V RADIO-AM/FM STEREO CD PLAYER

FIRST USED	07 MOTORHOMES	
TITLE	DO NOT SCALE DRAWING	
SHEET	PART NO	REV
	156331	



- NOTES:
- 5 INSTALL IN DASH BEZEL WITH SUPPLIED NUT. SEE 156935 FOR LOCATION.
  - 4 INSTALL ON STEERING WHEEL PER DRAWING 156935.
  - 3 TO BE SUPPLIED IN WINNEBAGOS OWNERS CASE
  - 2 BEND TABS ON ALL 4 SIDES TO SECURE MOUNTING BRACKET TO DASH OPENING.
  - 1 SUPPLIED WITH MOUNTING KIT 135420-07-000

19V RADIO-AM/FM STEREO CD PLAYER	
FIRST USED	07 MOTORHOMES
DO NOT SCALE DRAWING	
TITLE:	RADIO INSTL
SHEET 4	PART NO 156331 REV



RADIO-AM/FM STEREO, CD PLAYER (19V)  
155619-02-000

2 BEND TABS ON ALL 4 SIDES TO SECURE MOUNTING BRACKET TO DASH OPENING.

1 SUPPLIED WITH RADIO

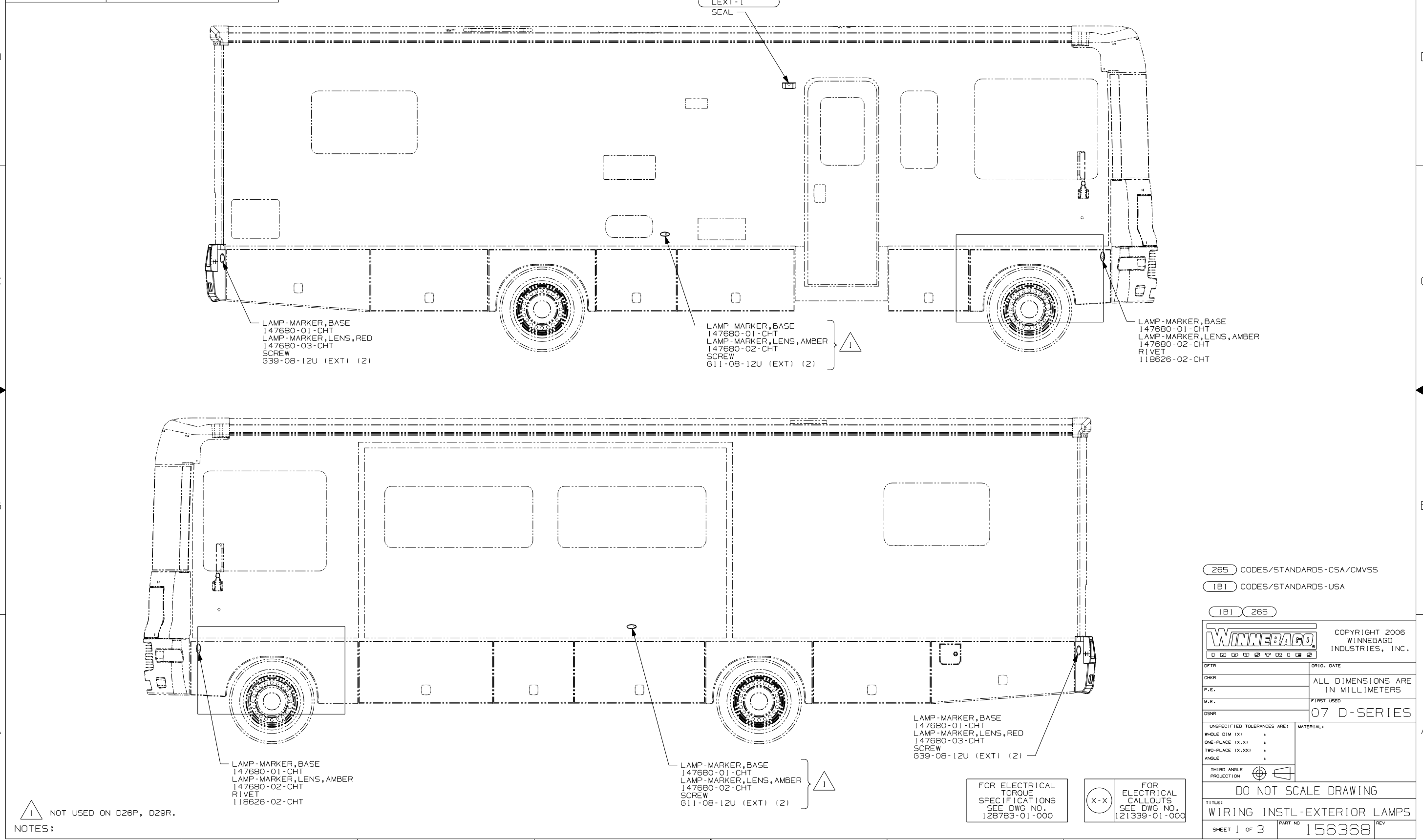
NOTES:

(19V) RADIO-AM/FM STEREO CD PLAYER

FIRST USED	07 MOTORHOMES		
TITLE	DO NOT SCALE DRAWING		
SHEET	PART NO	REV	
	156331		

DRAWING NO.	MODEL
156368-01	D30B, D33T, D34A, D35N
156368-02	D26P, D29R

RELEASE	REV DATE	DWG NO	156368
REV ZONE	REVISION RECORD	DATE	DFTR-0R16



LAMP-MARKER, BASE  
147680-01-CHT  
LAMP-MARKER, LENS, RED  
147680-03-CHT  
SCREW  
G39-08-12U (EXT) (2)

LAMP-MARKER, BASE  
147680-01-CHT  
LAMP-MARKER, LENS, AMBER  
147680-02-CHT  
SCREW  
G11-08-12U (EXT) (2)

LAMP-MARKER, BASE  
147680-01-CHT  
LAMP-MARKER, LENS, AMBER  
147680-02-CHT  
RIVET  
118626-02-CHT

LAMP-MARKER, BASE  
147680-01-CHT  
LAMP-MARKER, LENS, AMBER  
147680-02-CHT  
RIVET  
118626-02-CHT

LAMP-MARKER, BASE  
147680-01-CHT  
LAMP-MARKER, LENS, AMBER  
147680-02-CHT  
SCREW  
G11-08-12U (EXT) (2)

LAMP-MARKER, BASE  
147680-01-CHT  
LAMP-MARKER, LENS, RED  
147680-03-CHT  
SCREW  
G39-08-12U (EXT) (2)

FOR ELECTRICAL  
TORQUE  
SPECIFICATIONS  
SEE DWG NO.  
128783-01-000

FOR  
ELECTRICAL  
CALLOUTS  
SEE DWG NO.  
121339-01-000

- 265 CODES/STANDARDS-CSA/CMVSS
- 1B1 CODES/STANDARDS-USA
- 1B1 265

**WINNEBAGO** COPYRIGHT 2006 WINNEBAGO INDUSTRIES, INC.

DFTR	ORIG. DATE
CHKR	ALL DIMENSIONS ARE IN MILLIMETERS
P.E.	
M.E.	FIRST USED
DSNR	07 D-SERIES
UNSPECIFIED TOLERANCES ARE:	MATERIAL:
HOLE DIM (X) :	
ONE-PLACE (X.X) :	
TWO-PLACE (X.XX) :	
ANGLE :	
THIRD ANGLE PROJECTION	

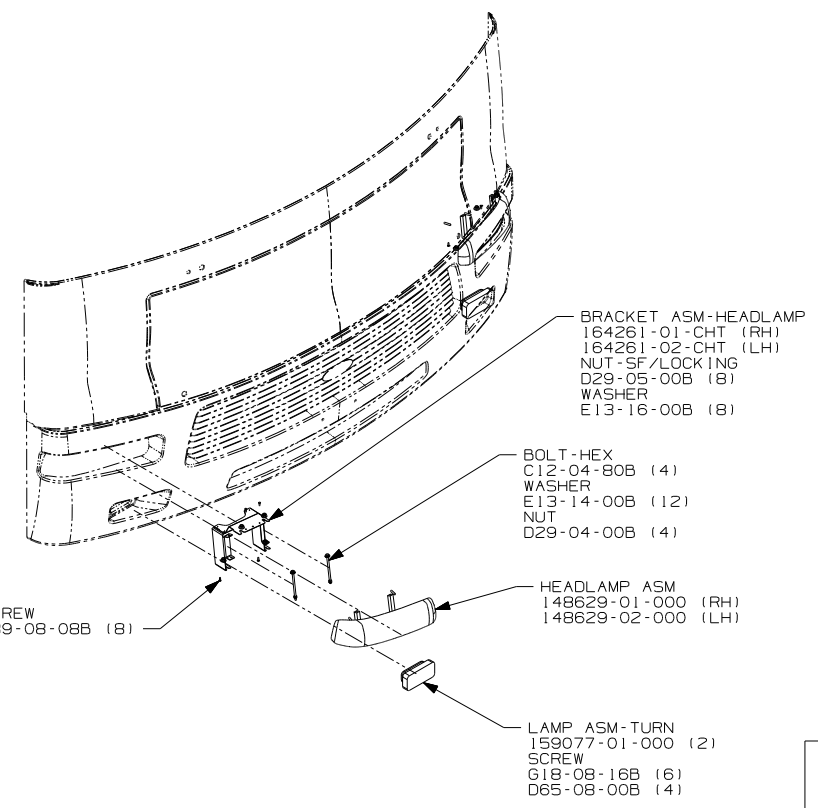
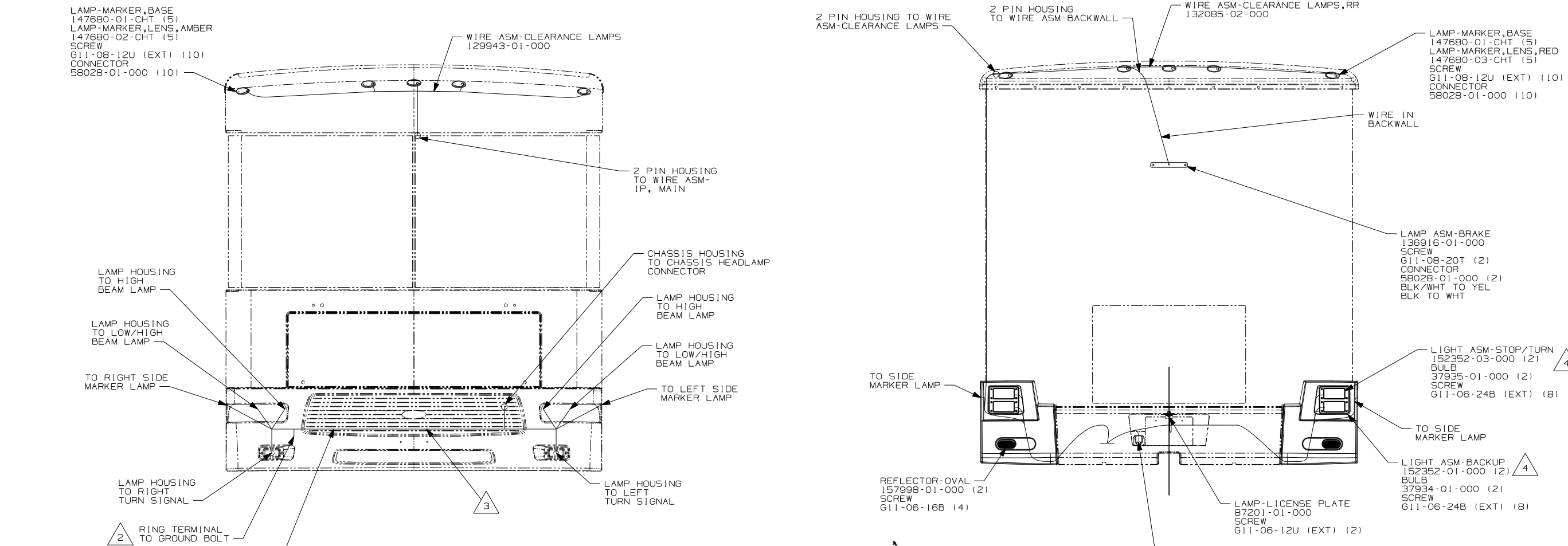
DO NOT SCALE DRAWING

TITLE: WIRING INSTL-EXTERIOR LAMPS

SHEET 1 of 3 PART NO 156368 REV

REF: 1 2/20/2007





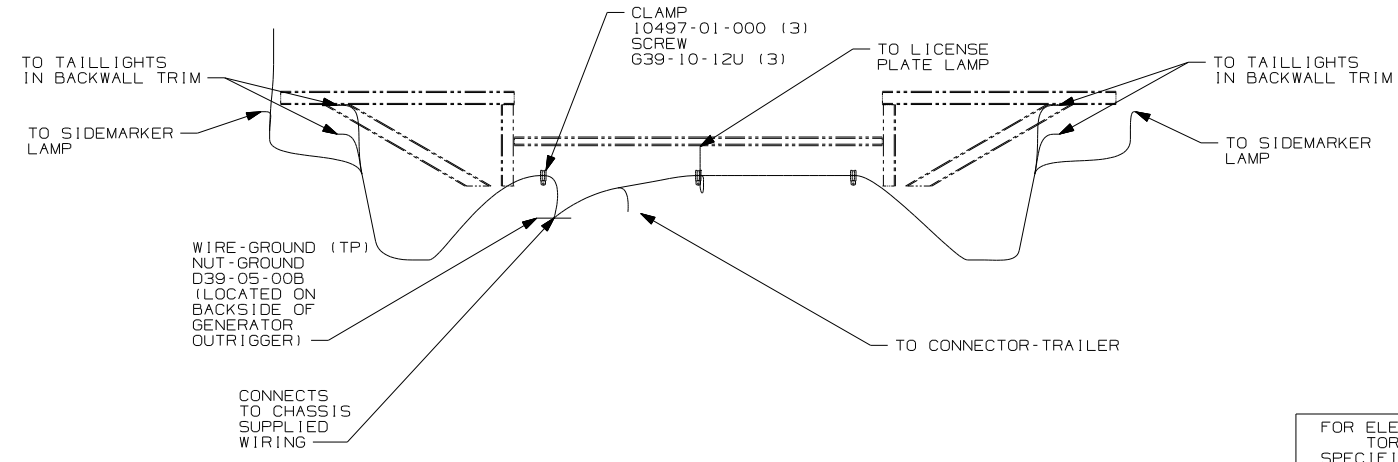
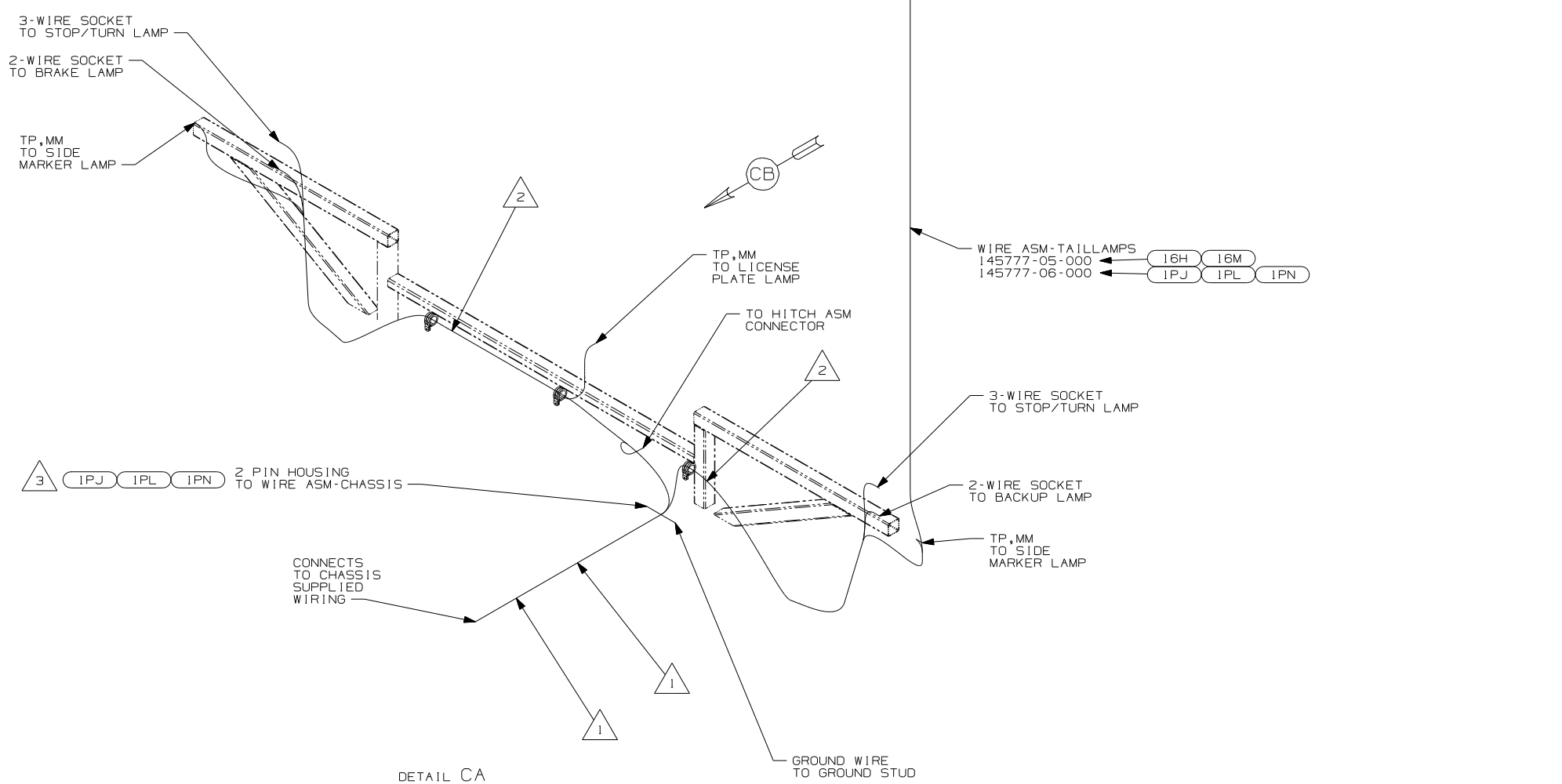
- NOTES:
- GATHER ALL EXCESS WIRE AFTER MAKING ALL CONNECTIONS AND BUNDLE AND SECURE WITH TIE-WIRE 8343-01-000 OR 93147-01-000.
  - CLEAN PAINT OFF METAL (BOLT) BEFORE CONNECTING GROUND TO INSURE CONTACT. ALSO MOUNT CHASSIS SUPPLIED HORN TO GROUND BOLT.
  - SECURE WIRE ASM APPROX. EVERY 450 TO BATTERY CABLES AND BRACKETS. USE TIE-WIRE 8343-01-000 OR 93147-01-000 AS APPROPRIATE.
  - MOUNT TAILLAMPS SO THAT THE TAILLAMPS LABEL 'TOP' IS IN THE UP POSITION.
  - CONNECTOR-PLUG, TRAILER 146246-01-000 TO BE SUPPLIED IN COACH WITH (240)
  - SEE BUMPER-REAR ASM FOR ADDITIONAL INFORMATION.

- (1PJ) WORKHORSE 16,000# GVWR (W16)
- (16M) FORD CHASSIS 20,500#/V10 ENG
- (1PL) WORKHORSE 18,000# GVWR (W18)
- (16H) FORD CHASSIS 18,000#/V10 ENG
- (1PN) WORKHORSE 20,700#
- (240) TRAILER HITCH
- (265) CODES/STANDARDS-CSA/CMVSS
- (1B1) CODES/STANDARDS USA

FOR ELECTRICAL TORQUE SPECIFICATIONS SEE DWG NO. 128783-01-000

FOR ELECTRICAL CALLOUTS SEE DWG NO. 121339-01-000

FIRST USED	
07 D-SERIES	
DO NOT SCALE DRAWING	
TITLE: WIRING INSTL-EXTERIOR LAMPS	
SHEET 2	PART NO 156368



- NOTES:
- 3 FOR UNITS WITH GENERATOR ON LEFT SIDE, ROUTE ALONG LEFT FRAME RAIL, WITH GENERATOR ON RIGHT SIDE, ROUTE BACK TOWARD HITCH ASM CONNECTOR.
  - 2 WIRE TO BE ROUTED ON BACK SIDE OF RISER.
  - 1 WIRE TIE 8343-02. FASTEN TO FRAME AT LEAST ONCE EVERY 600MM.

- 1PN WORKHORSE 20,700#
- 16M FORD CHASSIS 20,500#/V10 ENG
- 16H FORD CHASSIS 18,000#/V10 ENG
- 1PL WORKHORSE 18,000# GVWR (W18)
- 1PJ WORKHORSE 16,000# GVWR (W16)
- 265 CODES/STANDARDS-CSA/CMVSS
- 1B1 CODES/STANDARDS USA

FIRST USED	
07 D-SERIES	
DO NOT SCALE DRAWING	
TITLE:	
WIRING INSTL-EXTERIOR LAMPS	
SHEET 3	PART NO 156368 REV

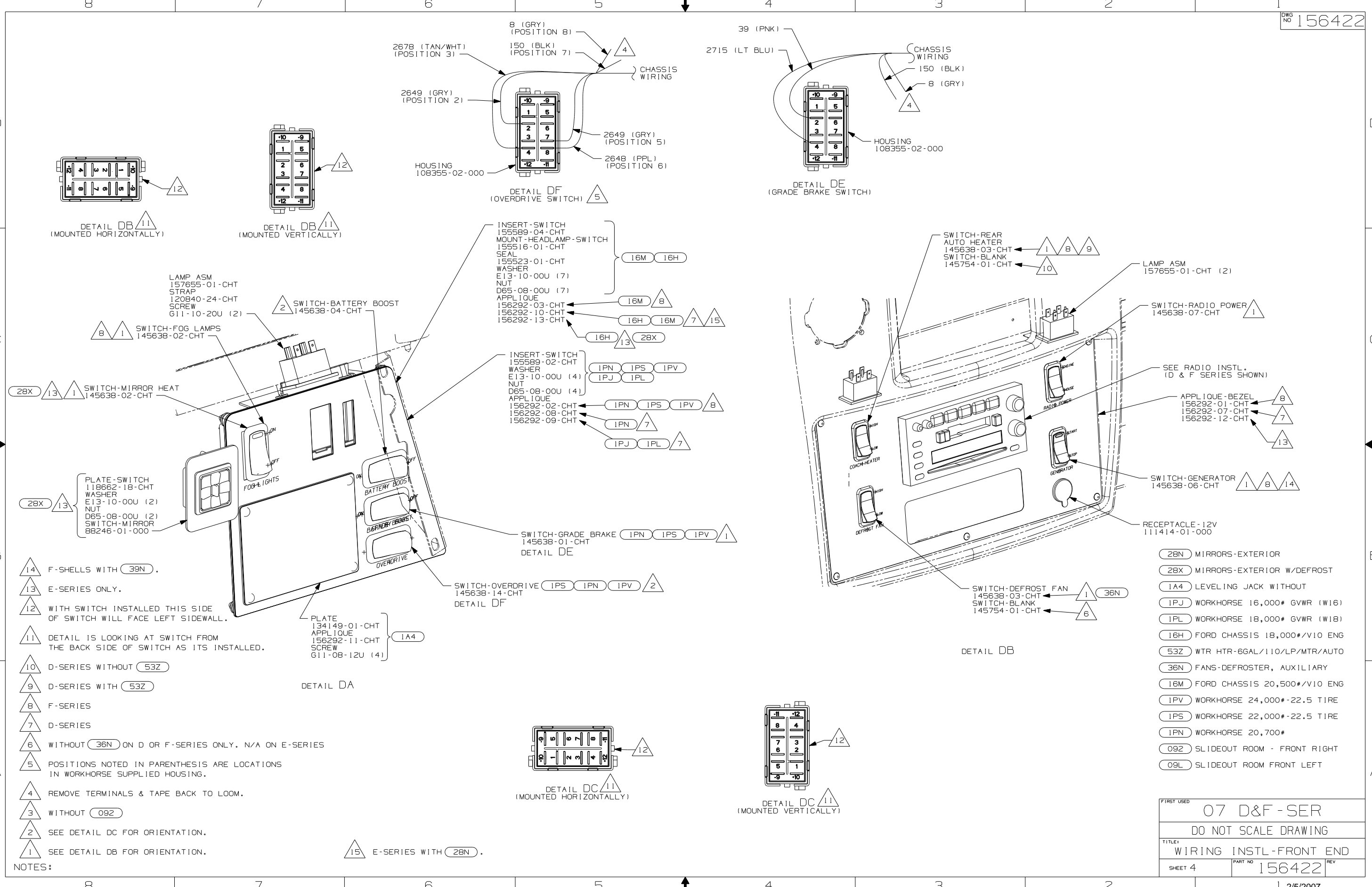
FOR ELECTRICAL TORQUE SPECIFICATIONS SEE DWG NO. 128783-01-000

FOR ELECTRICAL CALLOUTS SEE DWG NO. 121339-01-000









DETAIL DB (MOUNTED HORIZONTALLY)

DETAIL DB (MOUNTED VERTICALLY)

DETAIL DF (OVERDRIVE SWITCH)

DETAIL DE (GRADE BRAKE SWITCH)

DETAIL DA

DETAIL DB

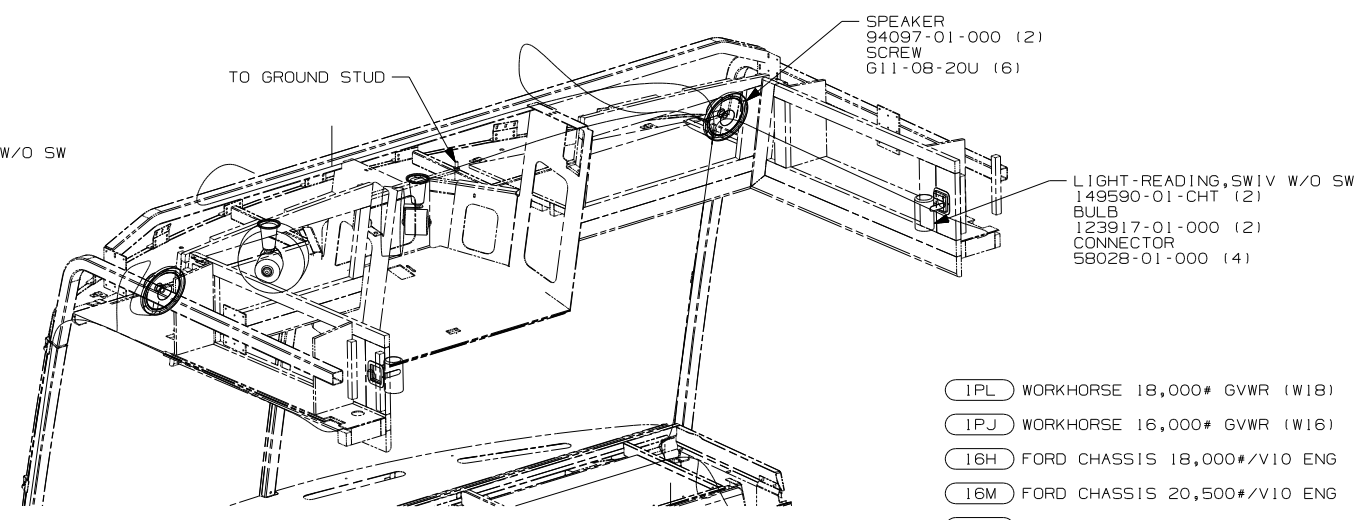
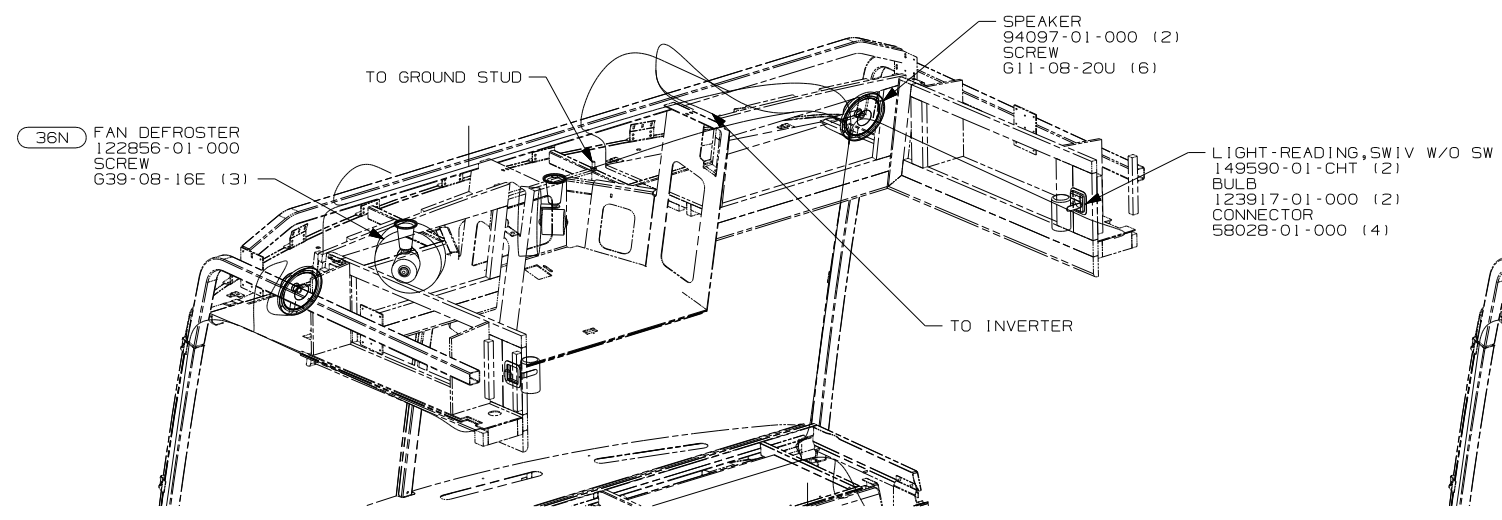
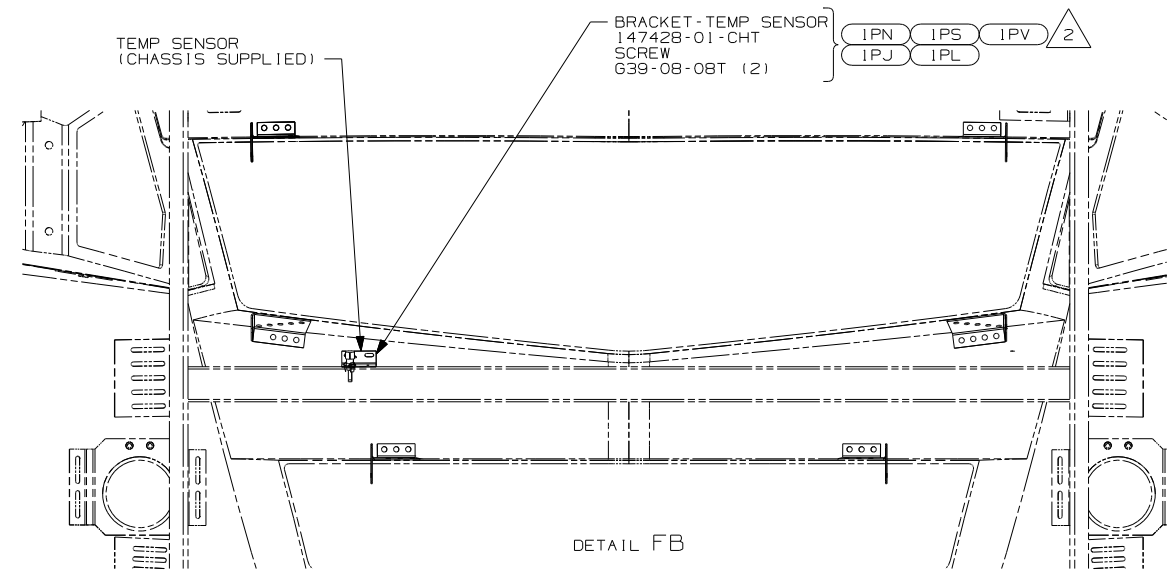
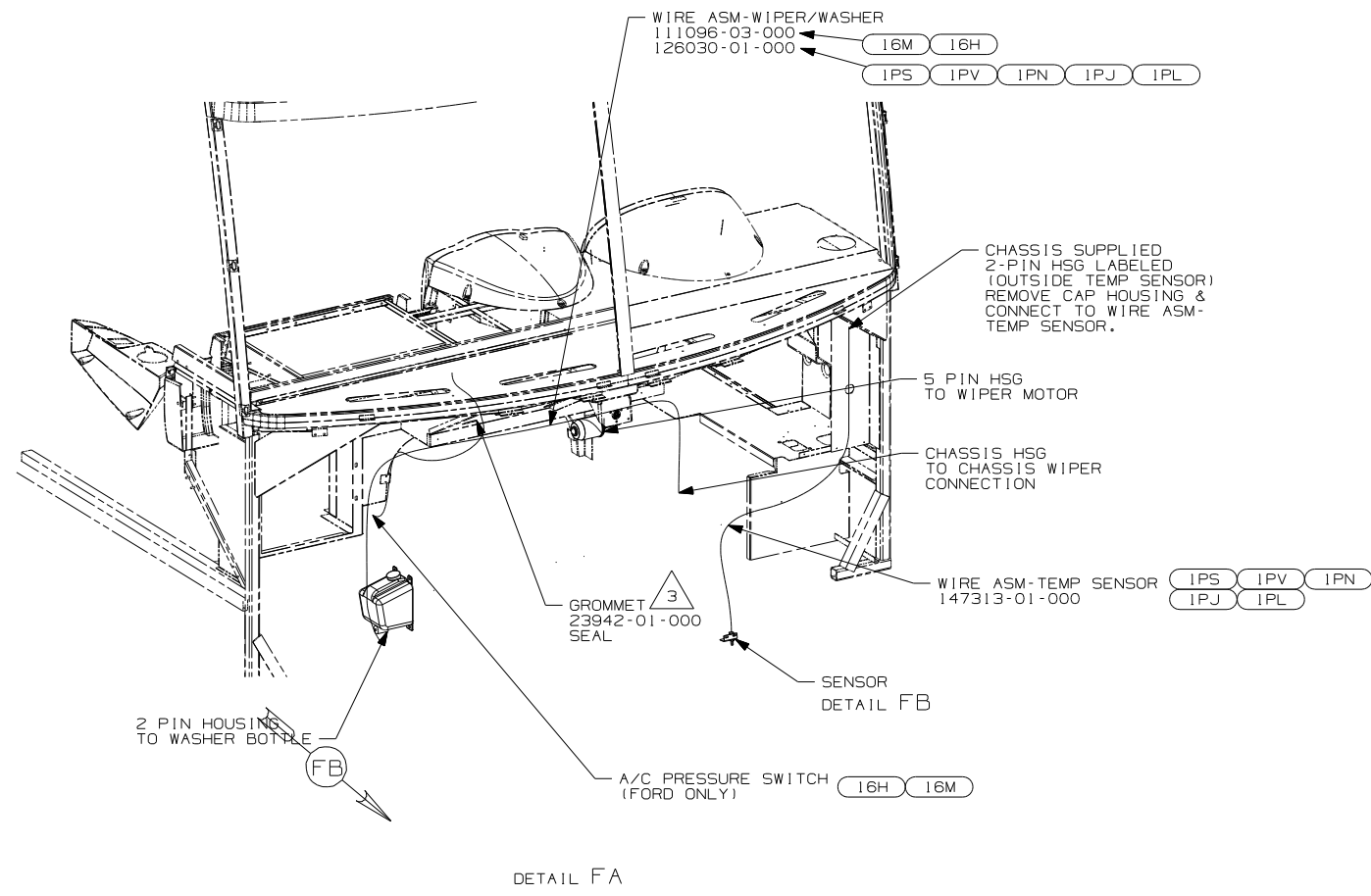
DETAIL DC (MOUNTED HORIZONTALLY)

DETAIL DC (MOUNTED VERTICALLY)

- 14 F-SHELLS WITH 39N.
- 13 E-SERIES ONLY.
- 12 WITH SWITCH INSTALLED THIS SIDE OF SWITCH WILL FACE LEFT SIDEWALL.
- 11 DETAIL IS LOOKING AT SWITCH FROM THE BACK SIDE OF SWITCH AS ITS INSTALLED.
- 10 D-SERIES WITHOUT 53Z
- 9 D-SERIES WITH 53Z
- 8 F-SERIES
- 7 D-SERIES
- 6 WITHOUT 36N ON D OR F-SERIES ONLY. N/A ON E-SERIES
- 5 POSITIONS NOTED IN PARENTHESIS ARE LOCATIONS IN WORKHORSE SUPPLIED HOUSING.
- 4 REMOVE TERMINALS & TAPE BACK TO LOOM.
- 3 WITHOUT 092
- 2 SEE DETAIL DC FOR ORIENTATION.
- 1 SEE DETAIL DB FOR ORIENTATION.

15 E-SERIES WITH 28N.

FIRST USED		07 D&F - SER	
DO NOT SCALE DRAWING			
TITLE: WIRING INSTL-FRONT END			
SHEET 4	PART NO	156422	REV



- 1PL WORKHORSE 18,000# GVWR (W18)
- 1PJ WORKHORSE 16,000# GVWR (W16)
- 16H FORD CHASSIS 18,000#/V10 ENG
- 16M FORD CHASSIS 20,500#/V10 ENG
- 1PV WORKHORSE 24,000#-22.5 TIRE
- 1PS WORKHORSE 22,000#-22.5 TIRE
- 1PN WORKHORSE 20,700#

- 5 E-SERIES ONLY
- 4 D-SERIES ONLY
- 3 ROUTE WIRES THROUGH HOLE IN STEEL.
- 2 MOUNT SENSOR OR SENSOR BRACKET TO HORIZONTAL TUBE ON FIBERGLASS AS SHOWN.

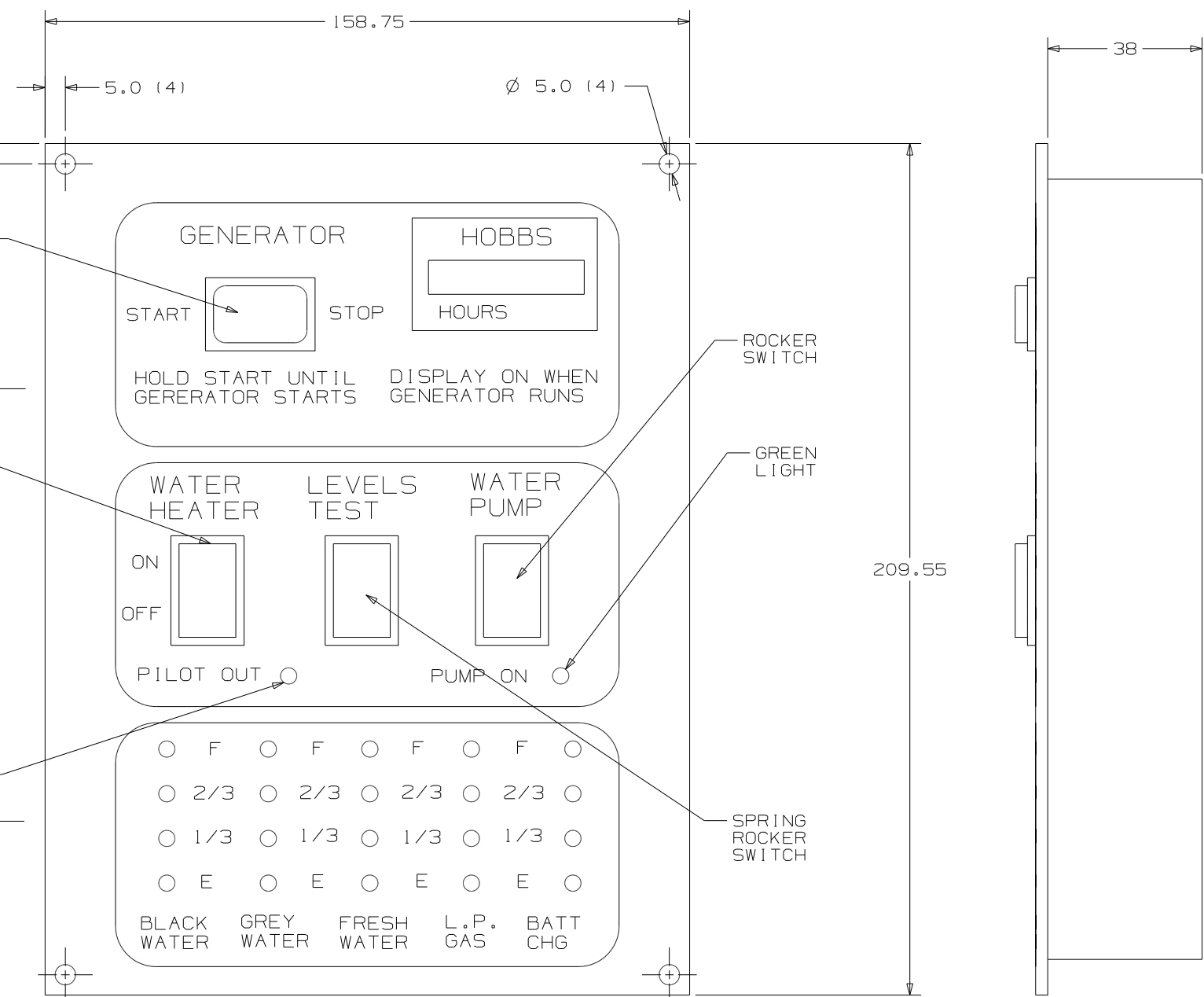
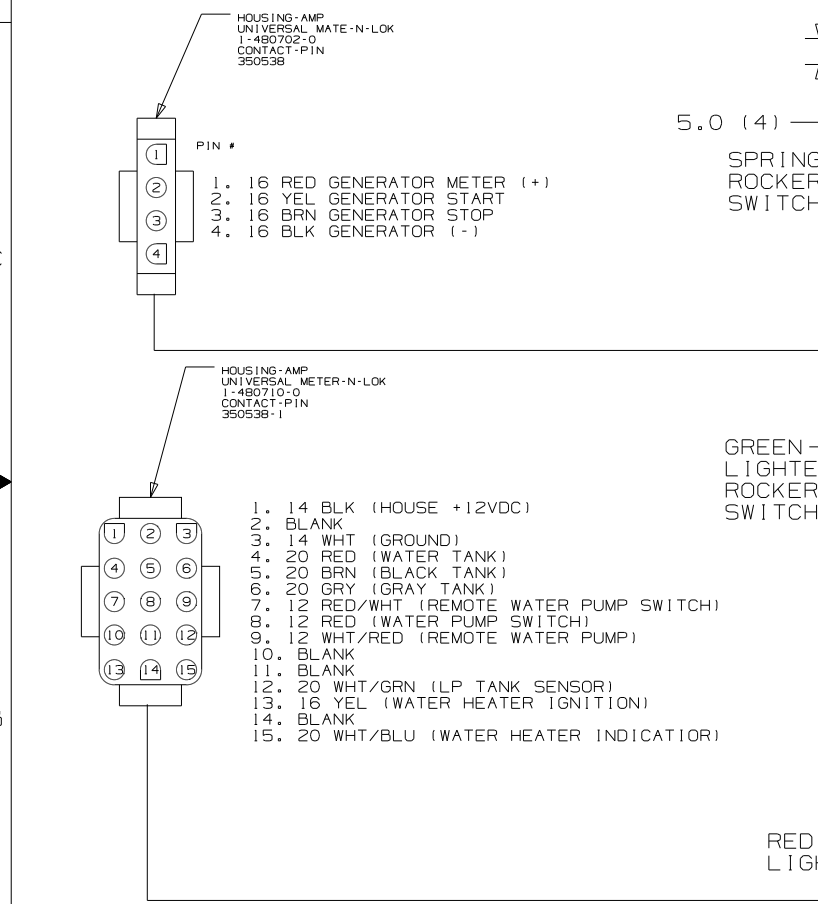
NOTES:  
1. GATHER ALL EXCESS WIRE AFTER MAKING ALL CONNECTIONS.  
BUNDLE AND SECURE WITH WIRE TIE 8343-01-000 OR 93147-01-000.

FIRST USED	07 D&F - SER	
TITLE	DO NOT SCALE DRAWING	
	WIRING INSTL-FRONT END	
SHEET 5	PART NO 156422	REV

DWG NO		SHEET	WEIGHT (LBS.)
134940-01	W/GEN	1	0.89
134940-02	W/O GEN	2	0.89
134940-03	SWITCH, METER, HARNESS	---	0.89
134940-04	W/G SOLAR	3	0.89
134940-05	W/GEN SWIT	4	0.89
134940-06	W/GEN/SEN	5,6	0.89
134940-07	W/O GEN/SE	7,8	0.89
134940-08	W/G SOL/SE	9,10	0.89
134940-09	W/G SW/SEN	11,12	0.89

DWG NO		SHEET	WEIGHT (LBS.)
134940-10	W/O GEN/SEN	13,14	0.67

RELEASE	REV DATE	DWG NO	134940
REV ZONE	REVISION RECORD	DATE	DFTR-ORIG



- NOTES:
1. SUGGESTED VENDOR: VENTLINE.
  2. BLACK PANEL WITH WHTIE GRAPHICS.
  3. LETTERS ON MAIN HEADING TO BE 5MM HIGH.
  4. CUTOUT 130 X 192.
  5. SWITCH RATING SHALL BE EMBOSSED ON THE SIDE OF THE 12V SWTICHES.

**WINNEBAGO** COPYRIGHT 2007 WINNEBAGO INDUSTRIES, INC.

DFTR	ORIG. DATE
CHKR	ALL DIMENSIONS ARE IN MILLIMETERS
P.E.	FIRST USED
M.E.	300 & F SER
DSNR	

UNSPECIFIED TOLERANCES ARE: MATERIAL:

WHOLE DIM (X)	: 1
ONE-PLACE (X.X)	: 1.5
TWO-PLACE (X.XX)	: 0.50
ANGLE	: 1°

THIRD ANGLE PROJECTION

DO NOT SCALE DRAWING

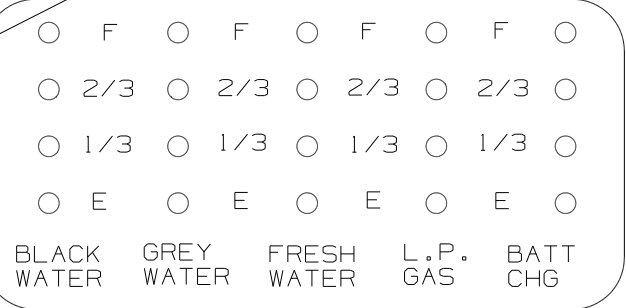
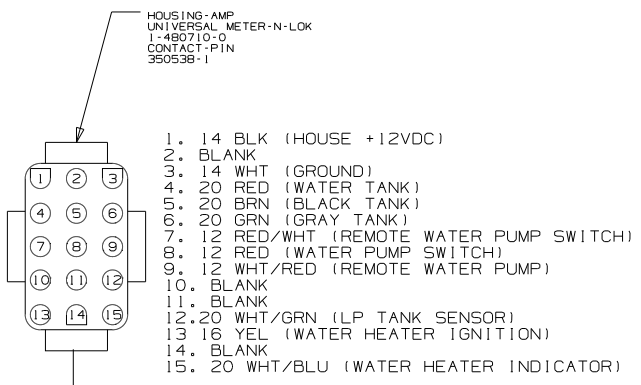
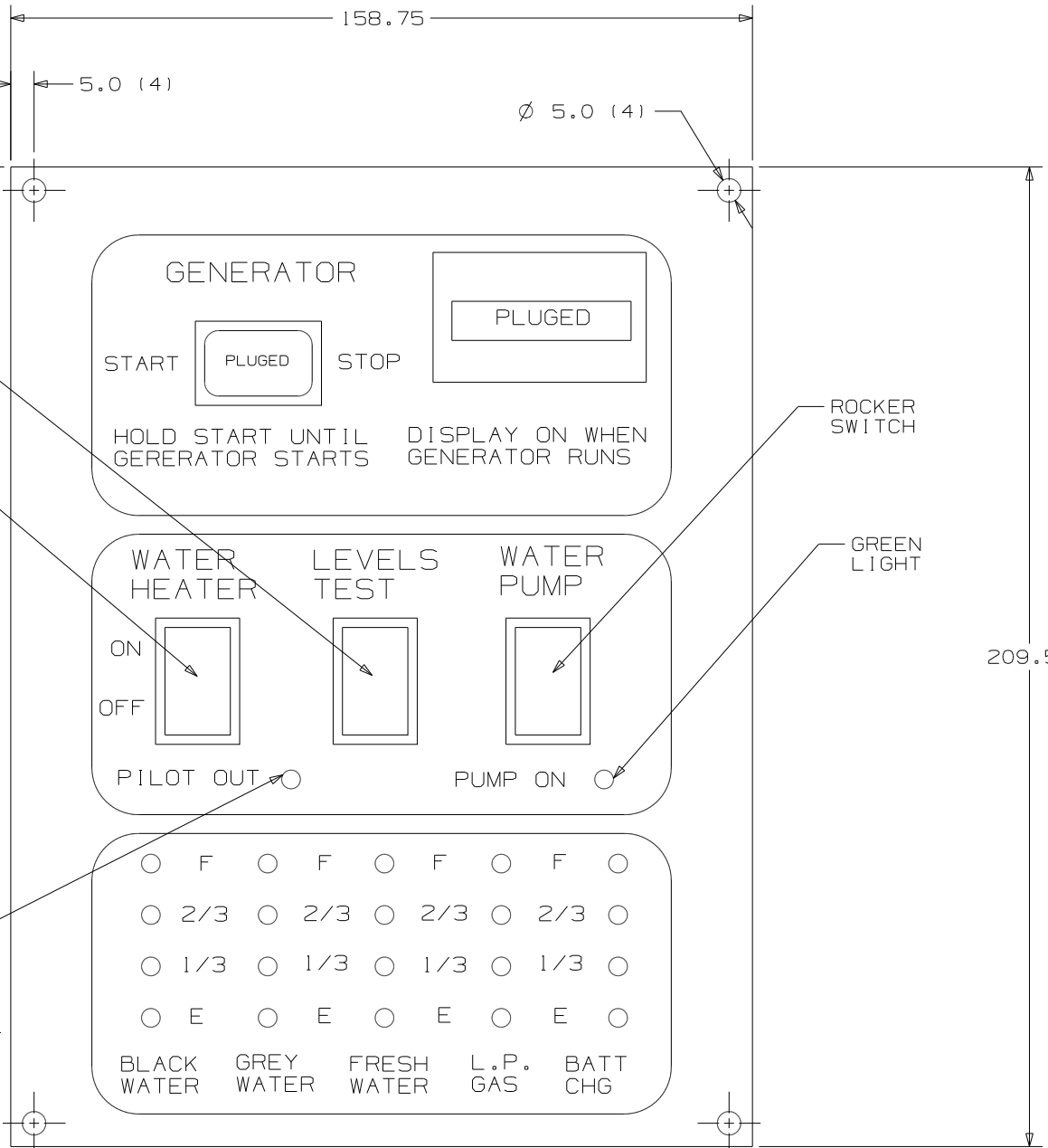
TITLE: PANEL-MONITOR 2-TANK

SHEET 1 OF 14 PART NO 134940 REV

REF: 1 7/10/2007

SEE CHART FOR COLOR VARIATIONS OF THIS PART





FIRST USED	300 & F SER		
TITLE	DO NOT SCALE DRAWING		
	PANEL-MONITOR 2-TANK		
SHEET 2	PART NO	134940	REV

HOUSING-AMP  
(UNIVERSAL-MATE-N-LOK)  
1-480698-0  
PIN  
350538-0

HOUSING-AMP  
(UNIVERSAL-MATE-N-LOK)  
1-480699-0  
SOCKET  
350537-1

PIN #  
1-16 BLK  
2-16 RED

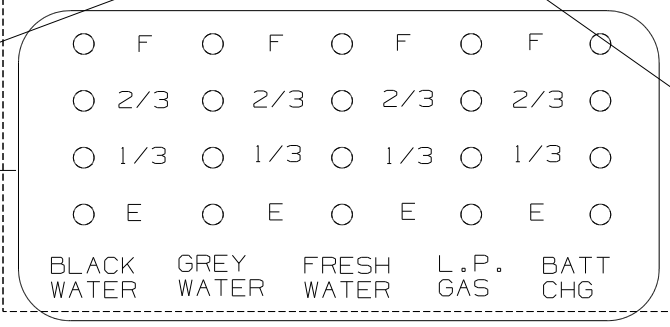
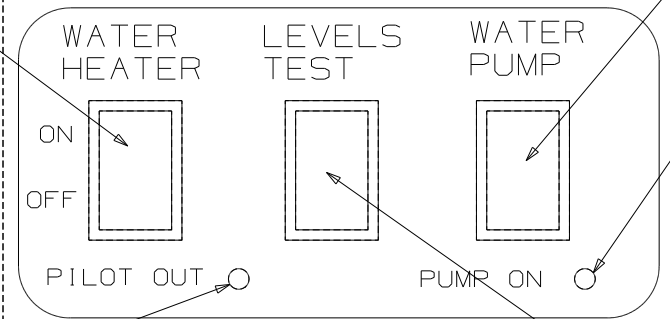
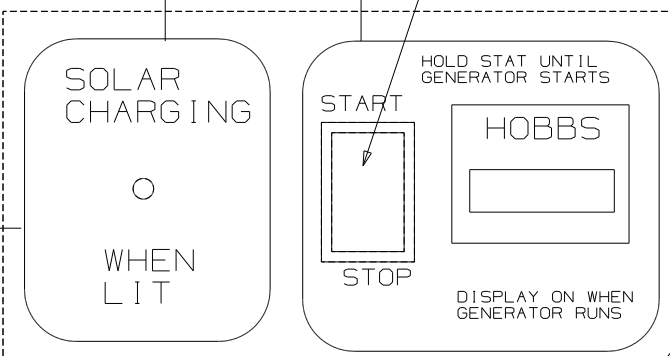
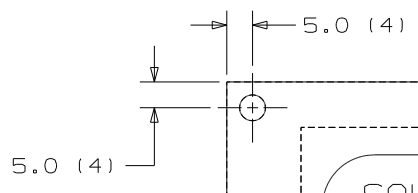
PIN #  
1-16 GRN  
2-16 RED

HOUSING-AMP  
(UNIVERSAL-MATE-N-LOK)  
1-480702-0  
CONTACT-PIN  
380538-1

PIN #  
1-16 RED GENERATOR METER (+)  
2-16 YEL GENERATOR START  
3-16 BRN GENERATOR STOP  
4-16 BLK GENERATOR (-)

HOUSING-AMP  
(UNIVERSAL-METER-N-LOK)  
1-480710-0  
CONTACT-PIN  
350538-1

1. 14 BLK (HOUSE +12VDC)  
2. BLANK  
3. 14 WHT (GROUND)  
4. 20 RED (WATER TANK)  
5. 20 BRN (BLACK TANK)  
6. 20 GRN (GRAY TANK)  
7. 12 RED/WHT (REMOTE WATER PUMP SWITCH)  
8. 12 RED (WATER PUMP SWITCH)  
9. 12 WHT/RED (REMOTE WATER PUMP)  
10. BLANK  
11. BLANK  
12. 20 WHT/GRN (LP TANK SENSOR)  
13. 16 YEL (WATER HEATER IGNITION)  
14. BLANK  
15. 20 WHT/BLU (WATER HEATER INDICATOR)



SPRING  
ROCKER  
SWITCH

Ø 5.0 (4)

ROCKER  
SWITCH

GREEN  
LIGHT

GREEN  
LIGHTED  
ROCKER  
SWITCH

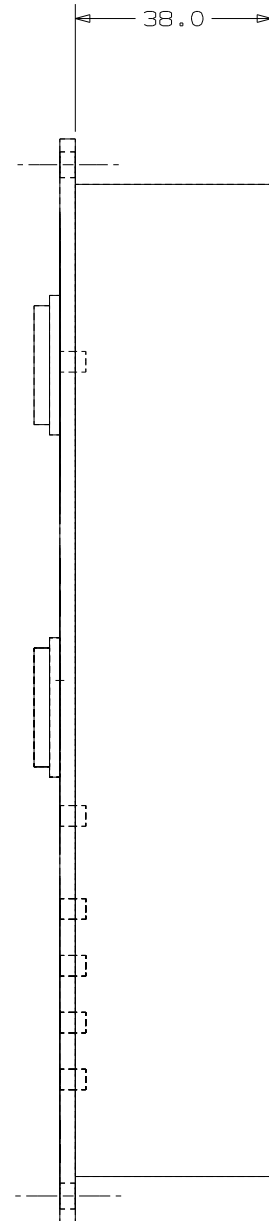
RED  
LIGHT

SPRING  
ROCKER  
SWITCH

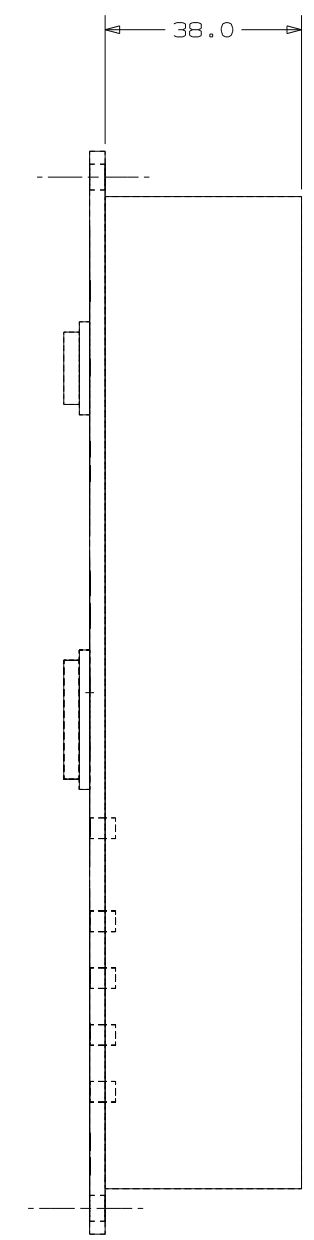
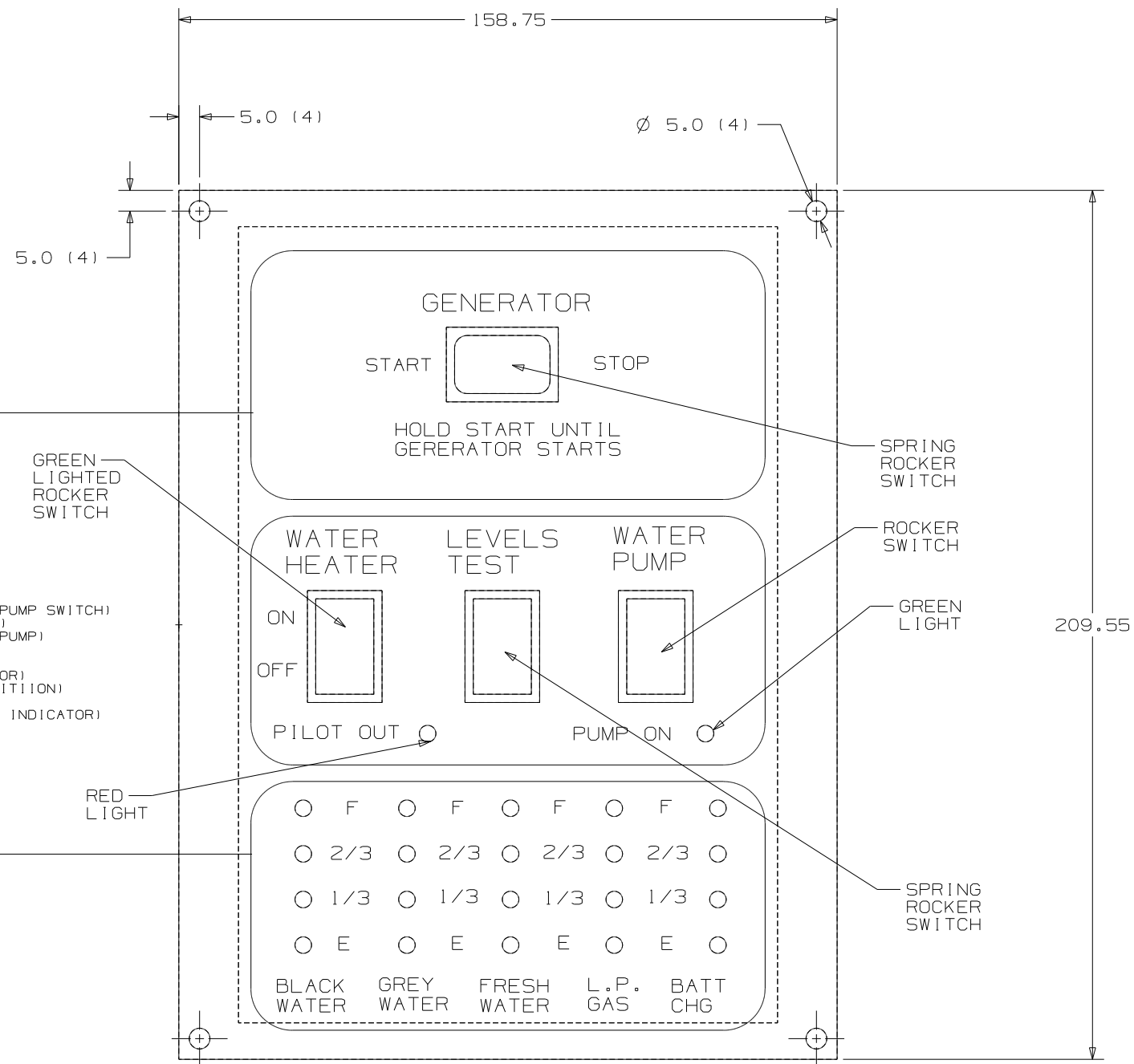
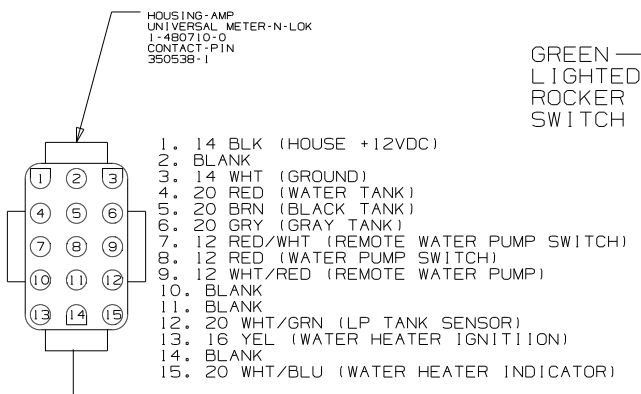
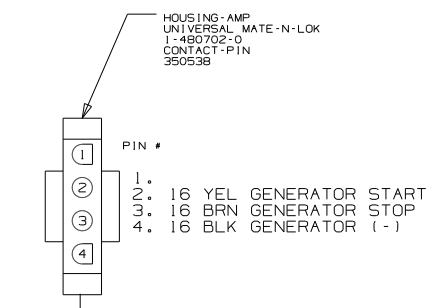
209.55

158.75

38.0



FIRST USED	300 & F SER		
TITLE	DO NOT SCALE DRAWING		
	PANEL-MONITOR 2-TANK		
SHEET 3	PART NO	134940	REV

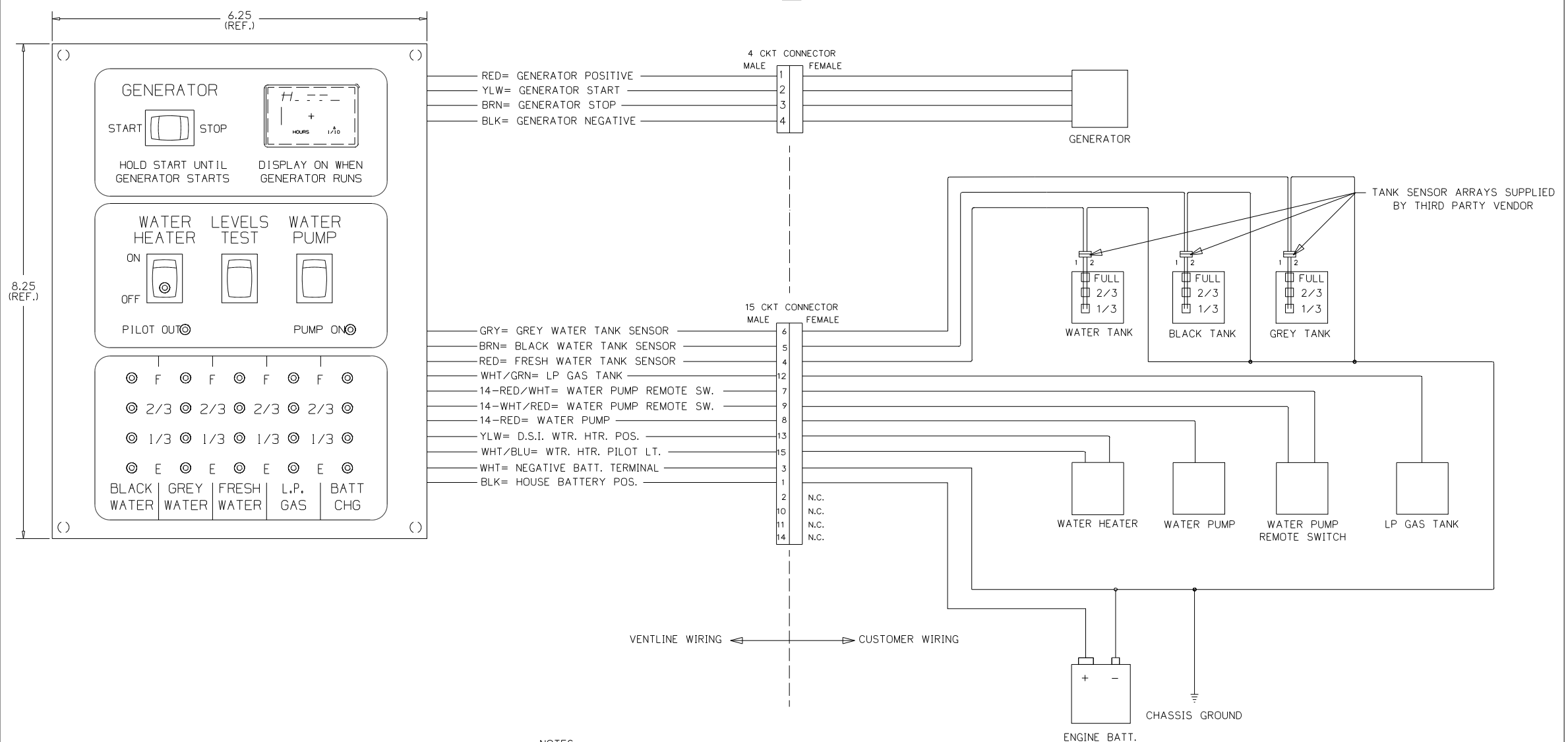


FIRST USED	300 & F SER	
TITLE	DO NOT SCALE DRAWING	
	PANEL-MONITOR 2-TANK	
SHEET 4	PART NO 134940	REV

**CONFIDENTIAL**  
 THIS DOCUMENT, INCLUDING ALL INFORMATION CONTAINED HEREIN IS THE EXCLUSIVE AND CONFIDENTIAL PROPERTY OF VENTLINE DIVISION OF TOMKINS INDUSTRIES, INC. THE DOCUMENT AND INFORMATION ARE NOT TO BE COPIED, REPRODUCED OR DELIVERED TO OTHERS, IN WHOLE OR IN PART, WITHOUT THE EXPRESS WRITTEN PERMISSION OF VENTLINE. THE DOCUMENT IS TO BE RETURNED PROMPTLY TO VENTLINE AFTER HAVING SERVED THE PURPOSE FOR WHICH DELIVERED.  
 ©1995 VENTLINE DIVISION, TOMKINS INDUSTRIES, INC.  
 All Rights Reserved, including the right to register this document or any part thereof.

LA1071-00  
 PAGE 1 OF 2

LTR.	DESCRIPTION	DATE	CHK. BY	APP. BY
REL	RELEASED TO PURCHASING & PRODUCTION ECN 16261	12/3/03	MPR	MPR
A	SEE SHEET 2 ECN 16381	4-6-04	R.L.	R.L.
A	SEE SHEET 2 ECN 16394	4-21-04	R.L.	R.L.



- NOTES:**
- UNLESS OTHERWISE SPECIFIED ALL WIRE IS 22 AWG.
  - REF. DWG'S:  
 GENERATOR HARNESS= L7751-00  
 INTERNAL & SWITCH HARNESS= L7752-00  
 PCB= L5131-02  
 TEST HARNESS= L7753-00  
 TEST BOX= L8506-00
  - ALL PIGTAILS TO BE SUPPLIED BY CUSTOMER.
  - BEFORE PACKING, SECURE HARNESS WITH VD0169-00 TIE WRAP ON RIGHT SIDE POST.

ENGLISH (TOLERANCE UNLESS SPECIFIED)  
 0 PL: ±.040 1 PL: ±.020  
 2 PL: ±.010 3 PL: ±.005  
 FRACTIONS ±1/64

PART NO.	REV'D	MATERIAL	DESCRIPTION	DWG SIZE
BLANK SIZE			USED ON WINNEBAGO	
DRAWN	DATE	MATERIAL		
MPR	12/3/03		SEE BOM PAGE 2	
CHECKED	DATE	NAME		
MPR	12/3/03			
APPV'D	DATE			

SCALE: NONE  
 FUNCTION DRAWING MONITOR PANEL  
 DWG. NO. PAGE 1 OF 2  
 LA1071-00

FIRST USED	05 D SEIRES
TITLE:	DO NOT SCALE DRAWING
SHEET 5	PART NO 134940 REV
	1 7/10/2007

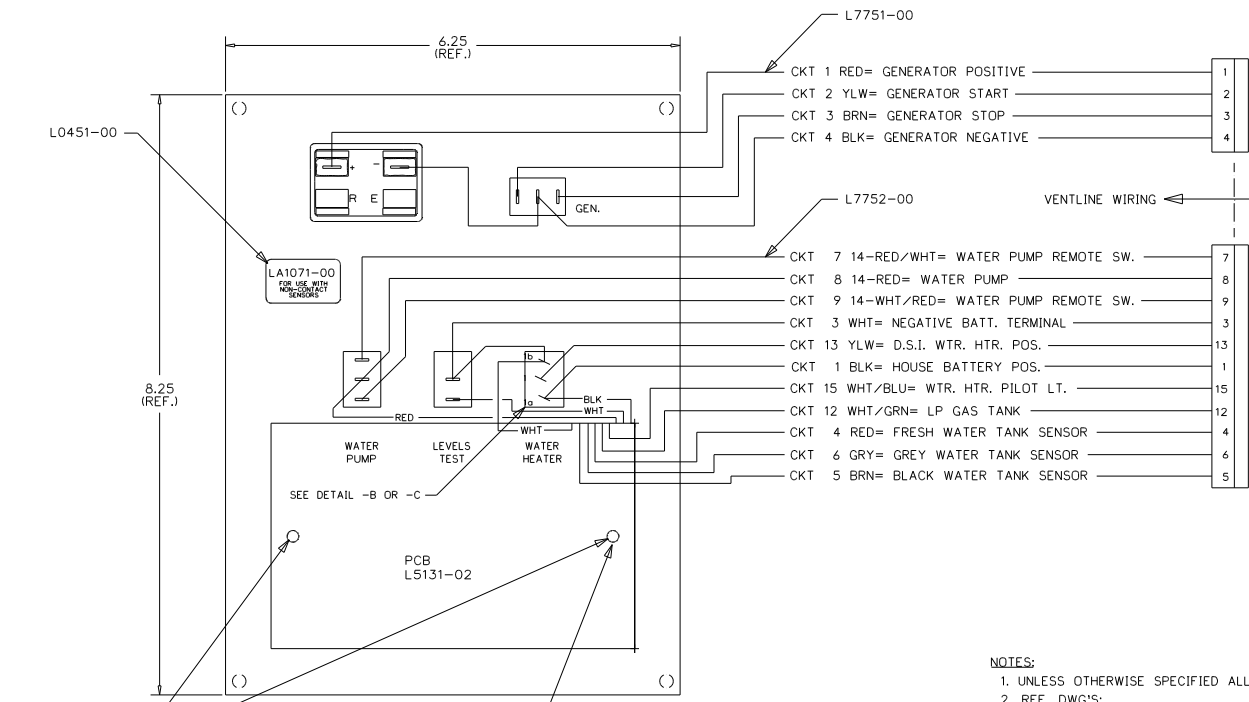
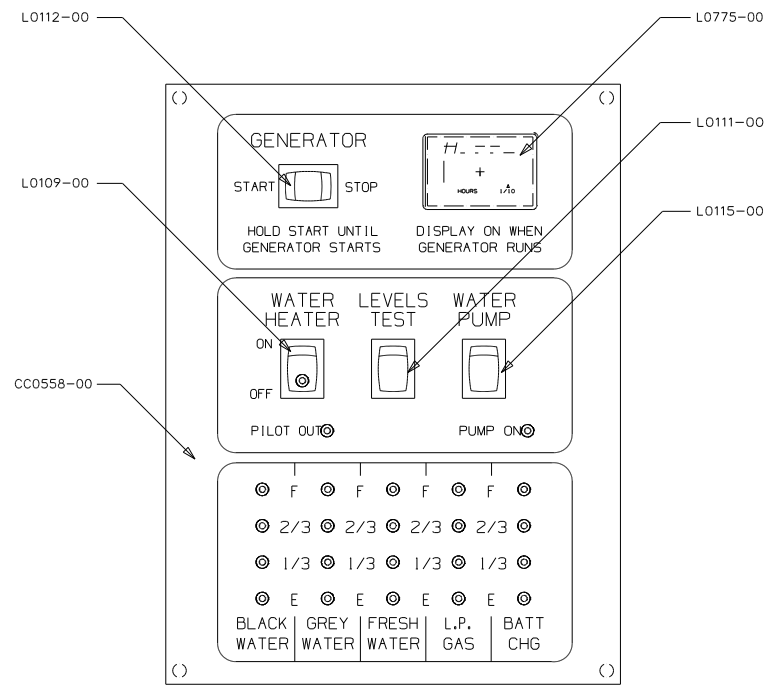
CONFIDENTIAL  
THIS DOCUMENT, INCLUDING ALL INFORMATION CONTAINED HEREIN IS THE EXCLUSIVE AND CONFIDENTIAL PROPERTY OF VENTLINE DIVISION OF TOMKINS INDUSTRIES, INC. THE DOCUMENT AND INFORMATION ARE NOT TO BE COPIED, REPRODUCED OR DELIVERED TO OTHERS, IN WHOLE OR IN PART, WITHOUT THE EXPRESS WRITTEN PERMISSION OF VENTLINE. THE DOCUMENT IS TO BE RETURNED PROMPTLY TO VENTLINE AFTER HAVING SERVED THE PURPOSE FOR WHICH DELIVERED.  
©1995 VENTLINE DIVISION, TOMKINS INDUSTRIES, INC.  
All Rights Reserved, including the right to reproduce this document or any part thereof

LA1071-00  
PAGE 2 OF 2

LA1071-00  
FOR USE WITH  
NON-CONTACT  
SENSORS  
(MFG DATE)

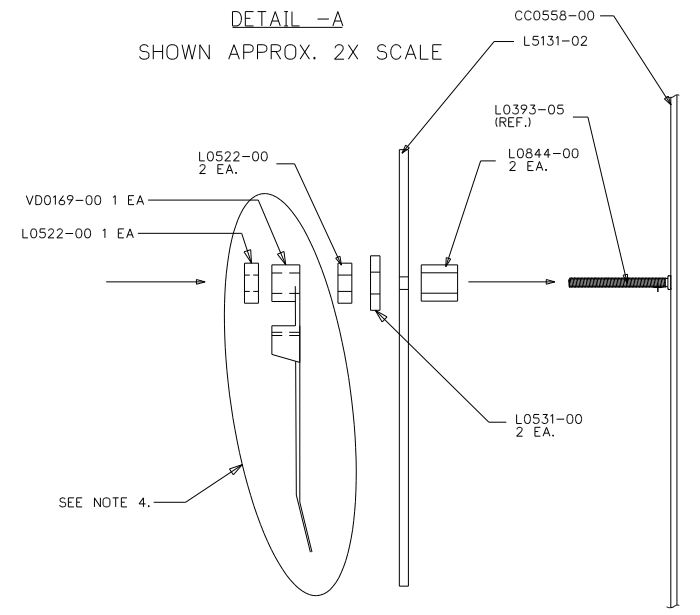
PRODUCT LABEL  
PRINTING DETAIL  
NO SCALE

LTR.	DESCRIPTION	DATE	CHK BY	CHK BY
REL	RELEASED TO PURCHASING & PRODUCTION. ECN 16261	12/3/03	MPH	MPR
A	ADDED LABEL DETAIL ECN 16381	4-6-04	R/L	R/L
B	L5131-02 WAS L5118-02 ECN 16394	4-21-04	R/L	R/L

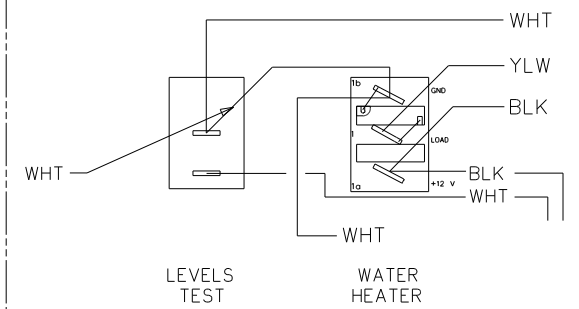


- NOTES:
- UNLESS OTHERWISE SPECIFIED ALL WIRE IS 22 AWG.
  - REF. DWG'S:  
GENERATOR HARNESS= L7751-00  
INTERNAL & SWITCH HARNESS= L7752-00  
PCB= L5131-02  
TEST HARNESS= L7753-00  
TEST BOX= L8506-00
  - ALL PIGTAILS TO BE SUPPLIED BY CUSTOMER.
  - BEFORE PACKING, SECURE HARNESS WITH V00169-00 TIE WRAP ON RIGHT SIDE POST.

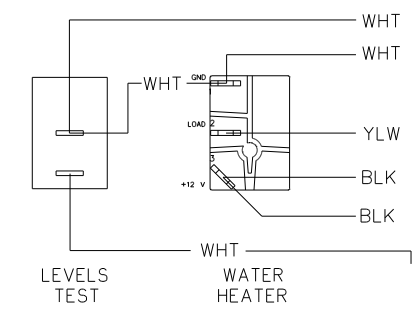
DETAIL -A  
SHOWN APPROX. 2X SCALE



DETAIL -B  
FOR L0109-00 "MARQUARDT"  
SHOWN APPROX. 2X SCALE



DETAIL -C  
FOR L0109-00 "CARLINGSWITCH"  
SHOWN APPROX. 2X SCALE



PART NO.	REQ'D	MATERIAL	DESCRIPTION	DWG SIZE
V00169-00	1		TIE WRAP	
L7752-00	1		HARNESS, INTERNAL & SWITCH	
L7751-00	1		HARNESS, GENERATOR	
L5131-02	1		PCB	
L0775-00	1		HOBBS HOUR METER	
L0531-00	2		FIBER WASHER	
L0522-00	3		HEX NUT, 6-32	
L0451-00	1		LABEL - SEE PRINTING DETAIL ABOVE	
L0844-00	2		PCB SPACER	
L0115-00	1		SWITCH, SPDT ON-ON, BLK	
L0112-00	1		SWITCH, SPDT (ON-OFF-(ON), BLK	
L0111-00	1		SWITCH, SPST MOM. (ON-OFF, BLK	
L0109-00	1		SWITCH, SPST ON-OFF, BLK, GRN LT.	
CC0558-00	1		SILKSCREENED CHASSIS	

ENGLISH TOLERANCE UNLESS SPECIFIED  
0 PL.: .040 1 PL.: .020  
2 PL.: .010 3 PL.: .005  
FRACTIONS: 1/64

BLANK SIZE	DATE	MATERIAL	USED ON	WINNEBAGO
MPR 11/20/03	11/20/03	SEE BOM PAGE 2		
MPR 11/20/03	11/20/03			

PHILIPS IND. INC.  
VENTLINE DIVISION  
BRISTOL, INDIANA 46507

SCALE: NONE

FUNCTION DRAWING, MONITOR PANEL

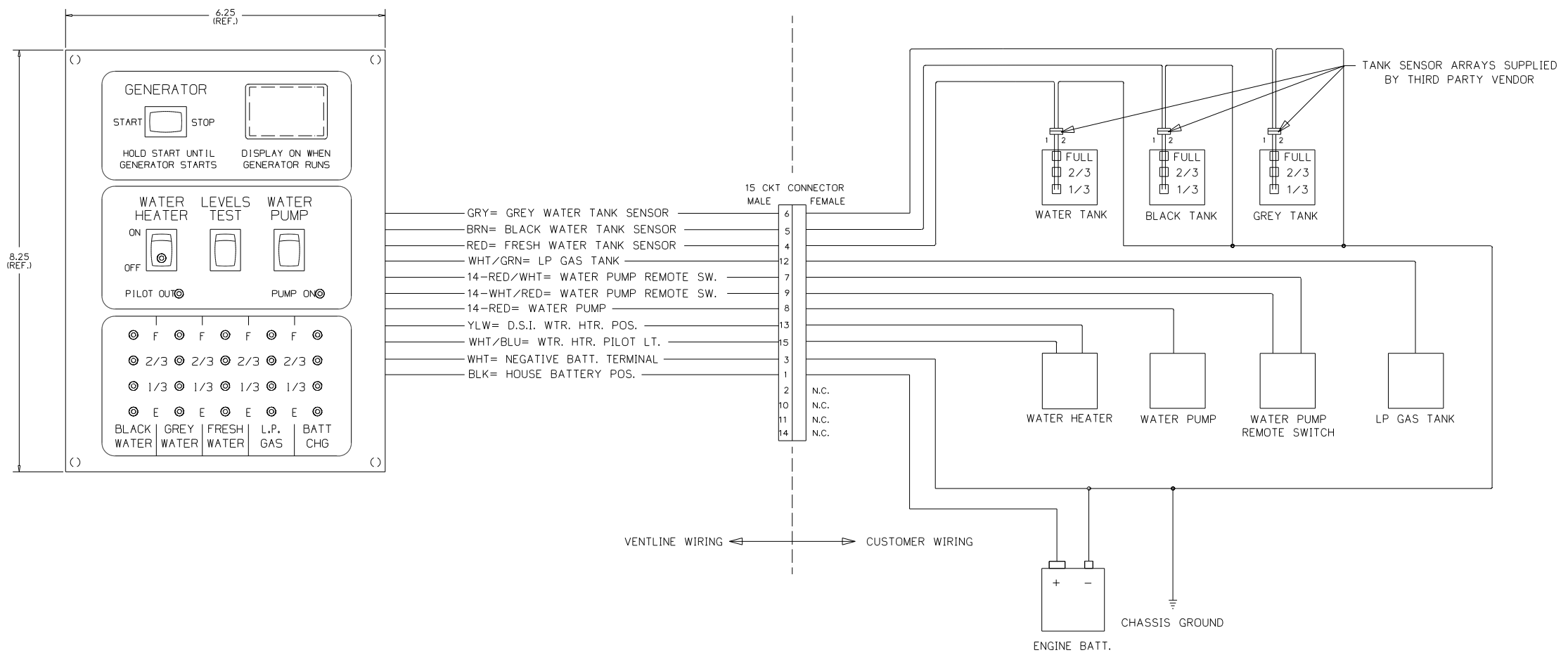
DWG. NO. PAGE 2 OF 2  
LA1071-00

FIRST USED	05 D SEIRES
TITLE:	DO NOT SCALE DRAWING
	PANEL - MONITOR
SHEET 6	PART NO 134940 REV
	1 7/10/2007

**CONFIDENTIAL**  
 THIS DOCUMENT, INCLUDING ALL INFORMATION CONTAINED HEREIN, IS THE EXCLUSIVE AND CONFIDENTIAL PROPERTY OF VENTLINE DIVISION OF TANKS INDUSTRIES, INC. THE DOCUMENT AND INFORMATION ARE NOT TO BE COPIED, REPRODUCED OR DELIVERED TO OTHERS, IN WHOLE OR IN PART, WITHOUT THE EXPRESS WRITTEN PERMISSION OF VENTLINE. THE DOCUMENT IS TO BE RETURNED PROMPTLY TO VENTLINE AFTER HAVING SERVED THE PURPOSE FOR WHICH DELIVERED.  
 ©2005 VENTLINE DIVISION, TANKS INDUSTRIES, INC.  
 All Rights Reserved, including the right to reproduce this document or any part thereof.

LA1073-00  
 PAGE 1 OF 2

LTR.	DESCRIPTION	DATE	CHK'D BY	APP'D BY
REL	RELEASED TO PURCHASING & PRODUCTION	12/3/03	MPP	MPP
A	SEE SHEET 2 ECN 16381	4-6-04	R.J.L.	R.J.L.
B	L5131-02 WAS L5118-02 ECN 16394	4-21-04	R.J.L.	R.J.L.



- NOTES:**
- UNLESS OTHERWISE SPECIFIED ALL WIRE IS 22 AWG.
  - REF. DWG.'S:  
 HARNESS, INTERNAL & SWITCH= L7752-00  
 PCB= L5131-02  
 HARNESS, TEST= L7753-00  
 TEST BOX= L8506-00
  - ALL PIGTAILS TO BE SUPPLIED BY CUSTOMER.
  - BEFORE PACKING, SECURE HARNESS WITH VD0169-00 TIE WRAP ON RIGHT SIDE POST.

ENGLISH TOLERANCE UNLESS SPECIFIED  
 0 PL.: .040 1 PL.: .020  
 2 PL.: .010 3 PL.: .005  
 FRACTIONS: 1/64

PART NO.	REQ'D	MATERIAL	DESCRIPTION	DWG SIZE
BLANK SIZE			USED ON WINNEBAGO	
DRAWN	DATE	MATERIAL		
MPR	11/21/03	SEE BOM PAGE 2		
CHECKED	DATE	NAME		
MPR	11/21/03			
APPV'D	DATE			

FUNCTION DRAWING,  
 MONITOR PANEL  
 LA1073-00

FIRST USED	05 D SERIES
TITLE	DO NOT SCALE DRAWING
SHEET 7	PART NO 134940
	REV

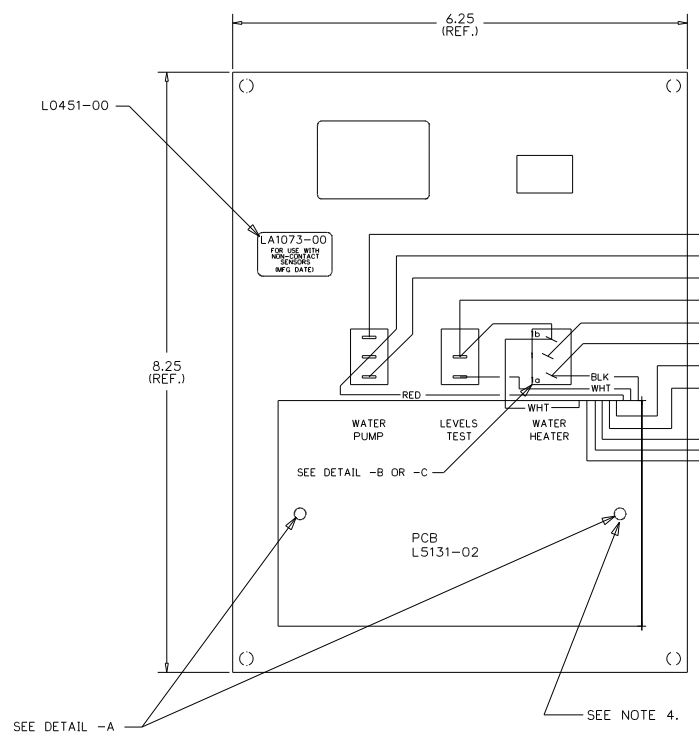
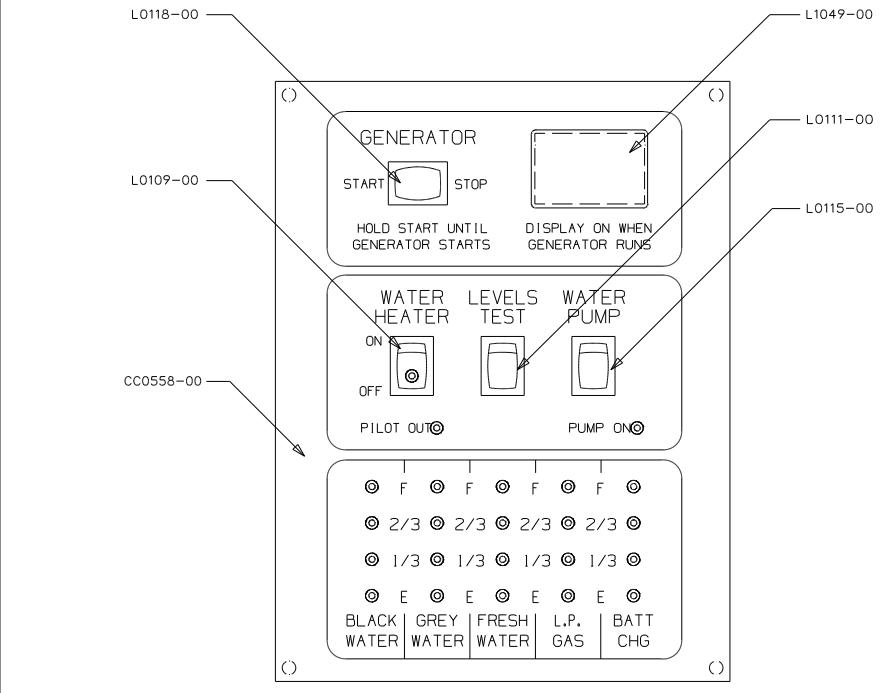
**CONFIDENTIAL**  
 THIS DOCUMENT, INCLUDING ALL INFORMATION CONTAINED HEREIN IS THE EXCLUSIVE AND CONFIDENTIAL PROPERTY OF VENTLINE DIVISION OF TOMKINS INDUSTRIES, INC. THE DOCUMENT AND INFORMATION ARE NOT TO BE COPIED, REPRODUCED OR DELIVERED TO OTHERS, IN WHOLE OR IN PART, WITHOUT THE EXPRESS WRITTEN PERMISSION OF VENTLINE. THE DOCUMENT IS TO BE RETURNED PROMPTLY TO VENTLINE AFTER HAVING SERVED THE PURPOSE FOR WHICH DELIVERED.  
 ©1995 VENTLINE DIVISION, TOMKINS INDUSTRIES, INC.  
 All Rights Reserved, including the right to reproduce this document or any part thereof.

LA1073-00  
 PAGE 2 OF 2

LTR.	DESCRIPTION	DATE	CHK. BY	APP. BY
REL.	RELEASED TO PURCHASING & PRODUCTION ECN 16261	12/3/03	MPP	MPP
A	ADDED LABEL DETAIL ECN 16381	4-6-04	R.J.	R.J.
B	L5131-02 WAS L5118-02 ECN 16394	4-21-04	R.J.	R.J.

LA1073-00  
 FOR USE WITH  
 NON-CONTACT  
 SENSORS  
 (MFG DATE)

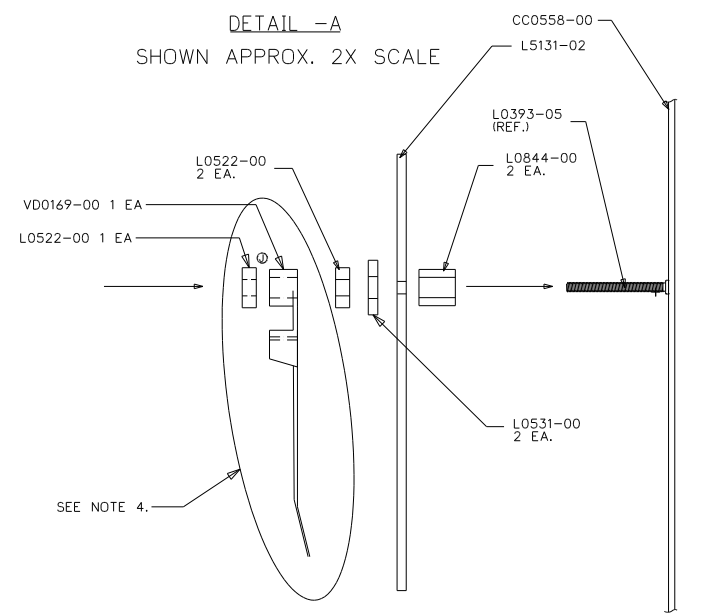
PRODUCT LABEL  
 PRINTING DETAIL  
 NO SCALE



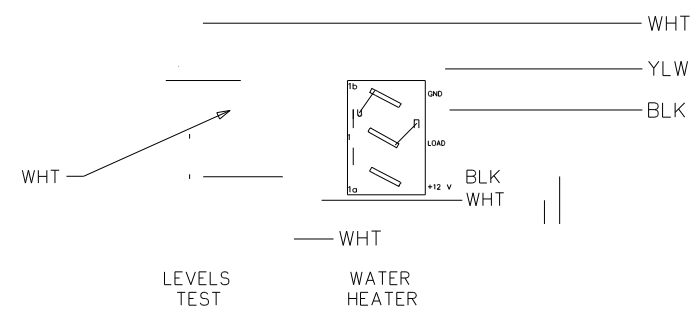
CTK	WIRING	TERMINAL
7	14-RED/WHT=	WATER PUMP REMOTE SW.
8	14-RED=	WATER PUMP
9	14-WHT/RED=	WATER PUMP REMOTE SW.
3	WHT=	NEGATIVE BATT. TERMINAL
13	YLW=	D.S.I. WTR. HTR. POS.
1	BLK=	HOUSE BATTERY POS.
15	WHT/BLU=	WTR. HTR. PILOT LT.
12	WHT/GRN=	LP GAS TANK
4	RED=	FRESH WATER TANK SENSOR
6	GRY=	GREY WATER TANK SENSOR
5	BRN=	BLACK WATER TANK SENSOR

VENTLINE WIRING ← → CUSTOMER WIRING

DETAIL -A  
 SHOWN APPROX. 2X SCALE



DETAIL -B  
 SHOWN APPROX. 2X SCALE



- NOTES:**
- UNLESS OTHERWISE SPECIFIED ALL WIRE IS 22 AWG.
  - REF. DWG.'S:  
 HARNESS, INTERNAL & SWITCH= L7752-00  
 PCB= L5131-02  
 HARNESS, TEST= L7753-00  
 TEST BOX= L8504-00
  - ALL PIGTAILS TO BE SUPPLIED BY CUSTOMER.
  - BEFORE PACKING, SECURE HARNESS WITH VD0169-00 TIE WRAP ON RIGHT SIDE POST.

PART NO.	QTY	DESCRIPTION	UNIT
VD0169-00	1	TIE WRAP WITH POST HOLE	
L7752-00	1	HARNESS, INTERNAL & SWITCH	
L5131-02	1	PCB	
L1049-00	1	HOLE PLUG	
L0531-00	4	FIBER WASHER	
L0522-00	3	HEX NUT, 6-32	
L0451-00	1	LABEL	
L0844-00	2	PCB SPACER	
L0118-00	1	SWITCH, DUMMY	
L0115-00	1	SWITCH, SPDT ON-ON, BLK	
L0111-00	1	SWITCH, SPST MOM. IONI-OFF, BLK	
L0109-00	1	SWITCH, SPST ON-OFF, BLK, GRN LT.	
CC0558-00	1	SILKSCREENED CHASSIS	

ENGLISH (TOLERANCE UNLESS SPECIFIED)  
 0 PL: ±.040 1 PL: ±.020  
 2 PL: ±.010 3 PL: ±.005  
 FRACTIONS ±1/64

BLANK SIZE	USED ON	WINNEBAGO
DRAWN DATE	MATERIAL	SEE BOM PAGE 2
MPP 11/21/03		
CHECKED DATE	NAME	
MPP 11/21/03		
APP'D DATE		

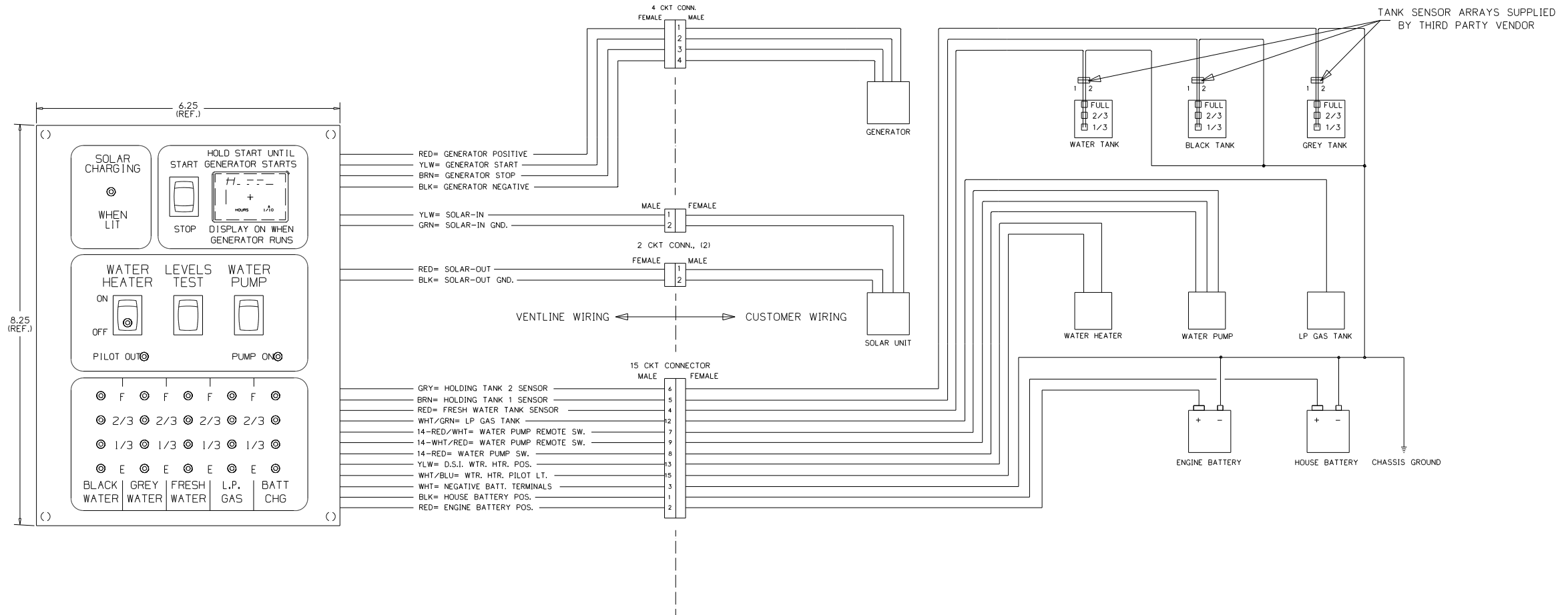
FUNCTION DRAWING, MONITOR PANEL  
 SCALE: NONE  
 DWG. NO. PAGE 2 OF 2  
 LA1073-00

FIRST USED	05 D SERIES
TITLE	DO NOT SCALE DRAWING
TITLE	PANEL - MONITOR
SHEET 8	PART NO 134940 REV

CONFIDENTIAL  
 THIS DOCUMENT, INCLUDING ALL INFORMATION CONTAINED HEREIN IS THE EXCLUSIVE AND CONFIDENTIAL PROPERTY OF VENTLINE DIVISION OF TOMKINS INDUSTRIES, INC. THE DOCUMENT AND INFORMATION ARE NOT TO BE COPIED, REPRODUCED OR DELIVERED TO OTHERS, IN WHOLE OR IN PART, WITHOUT THE EXPRESS WRITTEN PERMISSION OF VENTLINE. THE DOCUMENT IS TO BE RETURNED PROMPTLY TO VENTLINE AFTER HAVING SERVED THE PURPOSE FOR WHICH DELIVERED.  
 © 1995 VENTLINE DIVISION, TOMKINS INDUSTRIES, INC.  
 All Rights Reserved, including the right to reproduce this document or any part thereof.

LA1074-00  
 PAGE 1 OF 2

LTR.	DESCRIPTION	DATE	BY	CHK'D
REL	RELEASED TO PURCHASING & PRODUCTION. ECN 16261	12/3/03	MPR	MPR
A	SEE SHEET 2 ECN 16381	4-6-04	RUL	RUL
B	L5131-02 WAS L5118-02 ECN 16394	4-21-04	RUL	RUL



- NOTES:**
- UNLESS OTHERWISE SPECIFIED ALL WIRE IS 22 AWG.
  - REF. DWG.'S:  
 HARNESS, INTERNAL & SWITCH= L7752-00  
 HARNESS, GEN. INTERNAL & SWITCH= L7786-00  
 HARNESS, SOLAR LIGHT= L7722-00  
 PCB= L5131-02  
 HARNESS, TEST= L7753-00  
 TEST BOX= L8506-00
  - ALL PIGTAILS TO BE SUPPLIED BY CUSTOMER.
  - BEFORE PACKING, SECURE HARNESS WITH VDO169-00 TIE WRAP ON RIGHT SIDE POST.

ENGLISH TOLERANCE UNLESS SPECIFIED  
 0 PL.: .040 1 PL.: .020  
 2 PL.: .010 3 PL.: .005  
 FRACTIONS 1/64

PART NO.	REV'D	MATERIAL	DESCRIPTION	DWG SIZE
			USED WINNEBAGO	
			PHILIPS IND. INC. VENTLINE DIVISION BRISTOL, INDIANA 46507	
			SCALE: NONE	
			FUNCTION DRAWING, MONITOR PANEL	
			DWG. NO. LA1074-00	

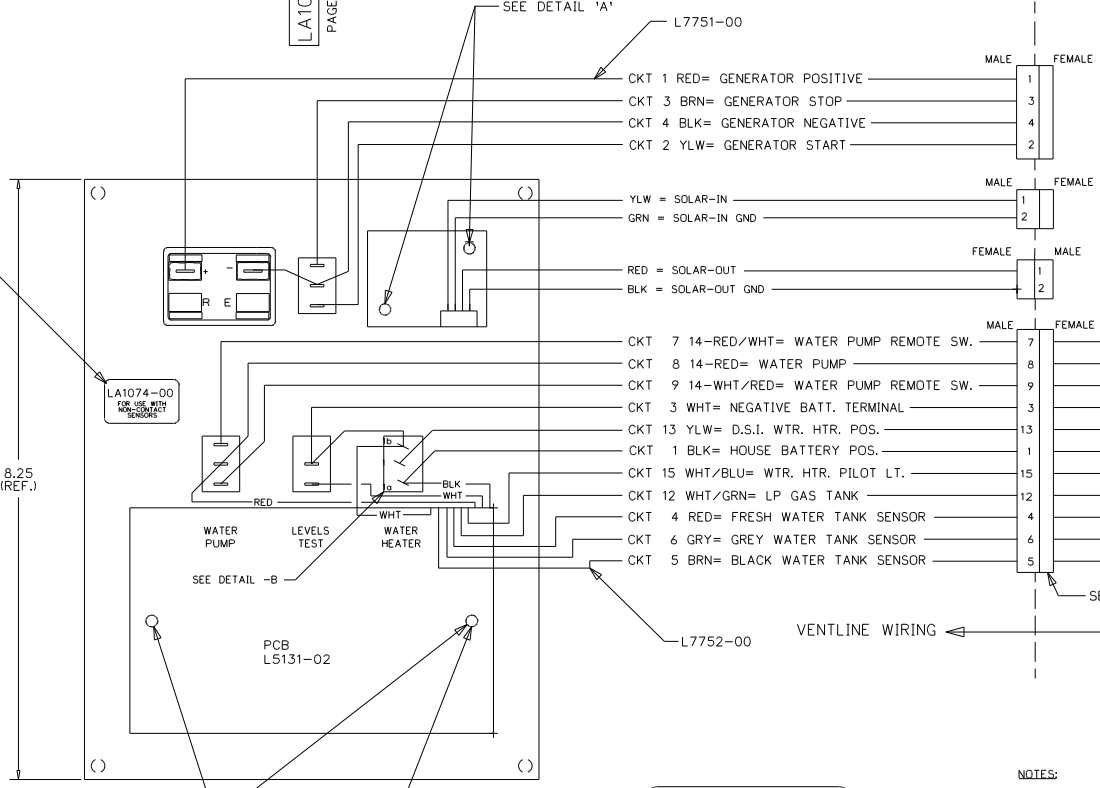
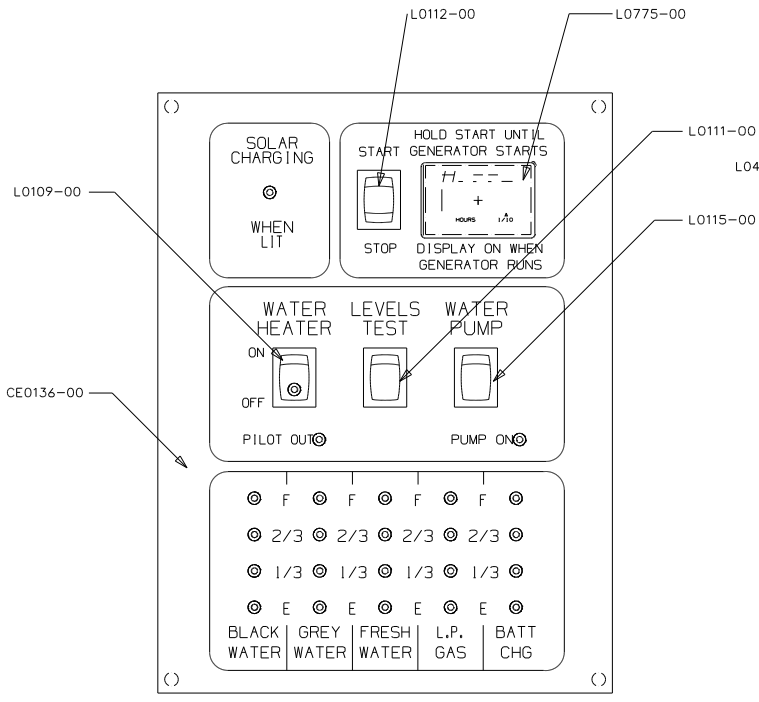
FIRST USED	05 D SERIES
TITLE	DO NOT SCALE DRAWING
TITLE	PANEL - MONITOR
SHEET 9	PART NO 134940 REV
	1 7/10/2007



CONFIDENTIAL  
 THIS DOCUMENT, INCLUDING ALL INFORMATION CONTAINED HEREIN, IS THE EXCLUSIVE AND CONFIDENTIAL PROPERTY OF VENTLINE DIVISION OF TOMKINS INDUSTRIES, INC. THE DOCUMENT AND INFORMATION ARE NOT TO BE COPIED, REPRODUCED OR DELIVERED TO OTHERS, IN WHOLE OR IN PART, WITHOUT THE EXPRESS WRITTEN PERMISSION OF VENTLINE. THE DOCUMENT IS TO BE RETURNED PROMPTLY TO VENTLINE AFTER HAVING SERVED THE PURPOSE FOR WHICH DELIVERED.  
 ©1995 VENTLINE DIVISION, TOMKINS INDUSTRIES, INC.  
 All Rights Reserved, including the right to reproduce this document or any part thereof.

LA1074-00  
 PAGE 2 OF 2

LTR.	DESCRIPTION	DATE	BY	CHK.
REL	RELEASED TO PURCHASING & PRODUCTION	12/3/03	MPPR	MPPR
A	ADDED LABEL DETAIL ECN 16381	4-6-04	R.L.	R.L.
B	L5131-02 WAS L5118-02 ECN 16394	4-21-04	R.L.	R.L.

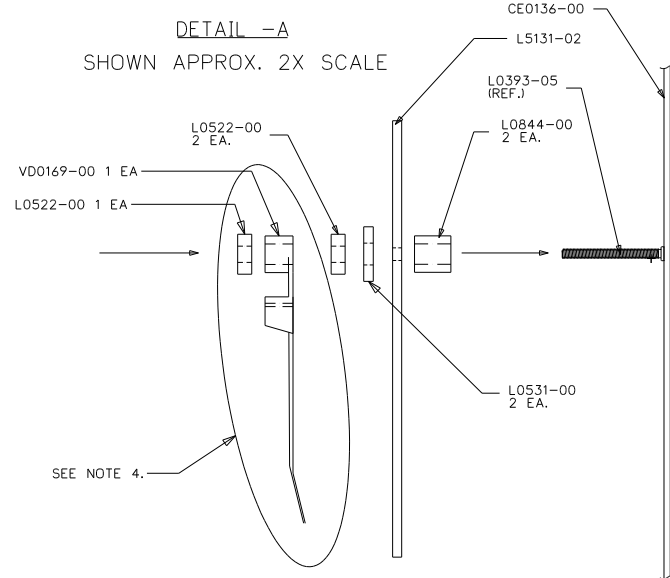


LA1074-00  
 FOR USE WITH  
 NON-CONTACT  
 SENSORS  
 (MFG DATE)

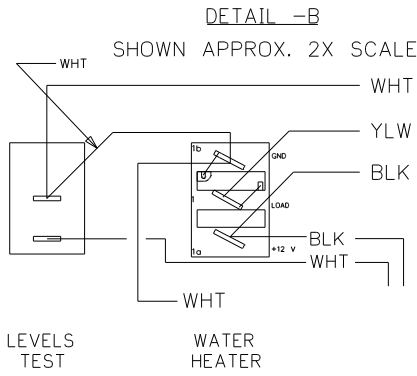
PRODUCT LABEL  
 PRINTING DETAIL  
 NO SCALE

- NOTES:
- UNLESS OTHERWISE SPECIFIED ALL WIRE IS 22 AWG.
  - REF. DWG.'S:  
 HARNESS, INTERNAL & SWITCH= L7752-00  
 HARNESS, GEN. INTERNAL & SWITCH= L7786-00  
 HARNESS, SOLAR LIGHT= L7722-00  
 PCB= L5131-02  
 HARNESS, TEST= L7753-00  
 TEST BOX= L8506-00
  - ALL PIGTAILS TO BE SUPPLIED BY CUSTOMER.
  - BEFORE PACKING, SECURE HARNESS WITH V00169-00 TIE WRAP ON RIGHT SIDE POST.

DETAIL -A  
 SHOWN APPROX. 2X SCALE



DETAIL -B  
 SHOWN APPROX. 2X SCALE



PART NO.	REQ'D	MATERIAL	DESCRIPTION	DWG SIZE
V00169-00	1		TIE WRAP	
L7752-00	1		HARNESS, INTERNAL & SWITCH	
L7751-00	1		HARNESS, GENERATOR	
L7722-00	1		SOLAR LIGHT HARNESS	
L5121-01	1		SOLAR LIGHT PCB	
L5131-02	1		PCB	
L0775-00	1		HOBBS HOUR METER	
L0531-00	4		FIBER WASHER	
L0522-00	5		HEX NUT, 6-32	
L0451-00	1		LABEL	
L0844-00	4		PCB SPACER	
L0115-00	1		SWITCH, SPDT ON-OFF, BLK	
L0112-00	1		SWITCH, SPDT (ON)-OFF-(ON), BLK	
L0111-00	1		SWITCH, SPST MOM. (ON)-OFF, BLK	
L0109-00	1		SWITCH, SPST ON-OFF, BLK, GRN LT.	
CE0136-00	1		SILKSCREENED CHASSIS	

ENGLISH TOLERANCE UNLESS SPECIFIED  
 0 PL.: .040 1 PL.: .020  
 2 PL.: .010 3 PL.: .005  
 FRACTIONS 1/64

BLANK SIZE	DRAWN	DATE	MATERIAL	USED ON	WINNEBAGO
		11/21/03	SEE BOM		

PHILIPS IND., INC.  
 VENTLINE DIVISION  
 BRISTOL, INDIANA 46507

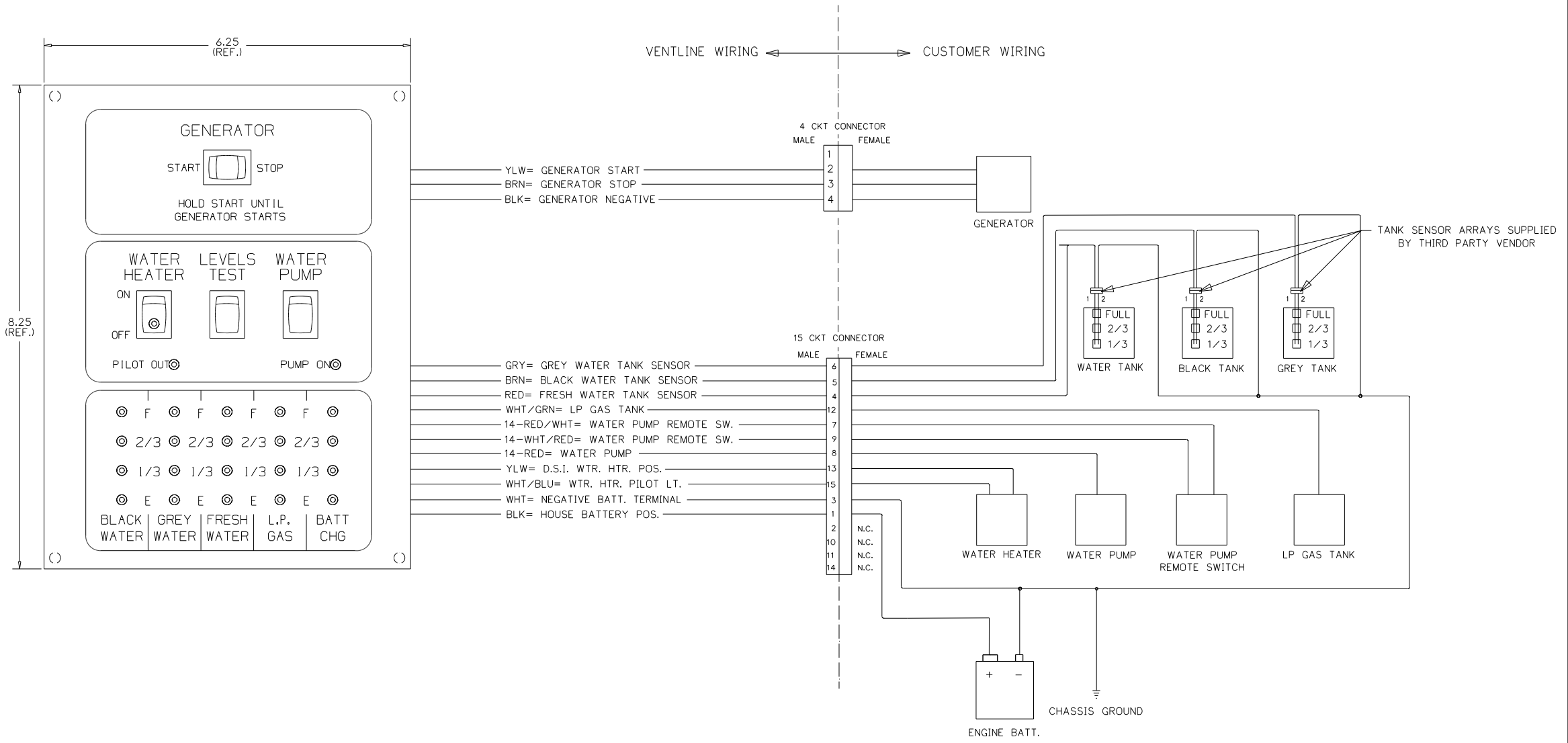
SCALE: NONE  
 FUNCTION DRAWING,  
 MONITOR PANEL  
 LA1074-00

FIRST USED	05 D SERIES
TITLE:	DO NOT SCALE DRAWING
	PANEL - MONITOR
SHEET 10	PART NO 134940 REV

CONFIDENTIAL  
THIS DOCUMENT, INCLUDING ALL INFORMATION CONTAINED HEREIN, IS THE EXCLUSIVE AND CONFIDENTIAL PROPERTY OF VENTLINE DIVISION OF TOMKINS INDUSTRIES, INC. THE DOCUMENT AND INFORMATION ARE NOT TO BE COPIED, REPRODUCED OR DELIVERED TO OTHERS, IN WHOLE OR IN PART, WITHOUT THE EXPRESS WRITTEN PERMISSION OF VENTLINE. THE DOCUMENT IS TO BE RETURNED PROMPTLY TO VENTLINE AFTER HAVING SERVED THE PURPOSE FOR WHICH DELIVERED.  
©2005 VENTLINE DIVISION, TOMKINS INDUSTRIES, INC.  
All Rights Reserved, including the right to reproduce this document or any part thereof.

LA1075-00  
PAGE 1 OF 2

LTR.	DESCRIPTION	DATE	CHK. BY
REL	RELEASED TO PURCHASING AND PRODUCTION	12/3/03	MPR/MPR
A	SEE SHEET 2 ECN 16381	4-6-04	R.L. R.L.
B	L5131-02 WAS L5118-02 ECN 16394	4-21-04	R.L. R.L.



- YLW= GENERATOR START
- BRN= GENERATOR STOP
- BLK= GENERATOR NEGATIVE
- GRY= GREY WATER TANK SENSOR
- BRN= BLACK WATER TANK SENSOR
- RED= FRESH WATER TANK SENSOR
- WHT/GRN= LP GAS TANK
- 14-RED/WHT= WATER PUMP REMOTE SW.
- 14-WHT/RED= WATER PUMP REMOTE SW.
- 14-RED= WATER PUMP
- YLW= D.S.I. WTR. HTR. POS.
- WHT/BLU= WTR. HTR. PILOT LT.
- WHT= NEGATIVE BATT. TERMINAL
- BLK= HOUSE BATTERY POS.

- NOTES:**
- UNLESS OTHERWISE SPECIFIED ALL WIRE IS 22 AWG.
  - REF. DWG.'S:  
HARNESS, INTERNAL & SWITCH= L7752-00  
HARNESS, GEN. INTERNAL & SWITCH= L7786-00  
HARNESS, SOLAR LIGHT= L7722-00  
PCB= L5131-02  
HARNESS, TEST= L7753-00  
TEST BOX= L8504-00
  - ALL PIGTAILS TO BE SUPPLIED BY CUSTOMER.
  - BEFORE PACKING, SECURE HARNESS WITH VD0169-00 TIE WRAP ON RIGHT SIDE POST.

ENGLISH TOLERANCE UNLESS SPECIFIED:  
0 PL.: .040 1 PL.: .020  
2 PL.: .010 3 PL.: .005  
FRACTIONS 1/64

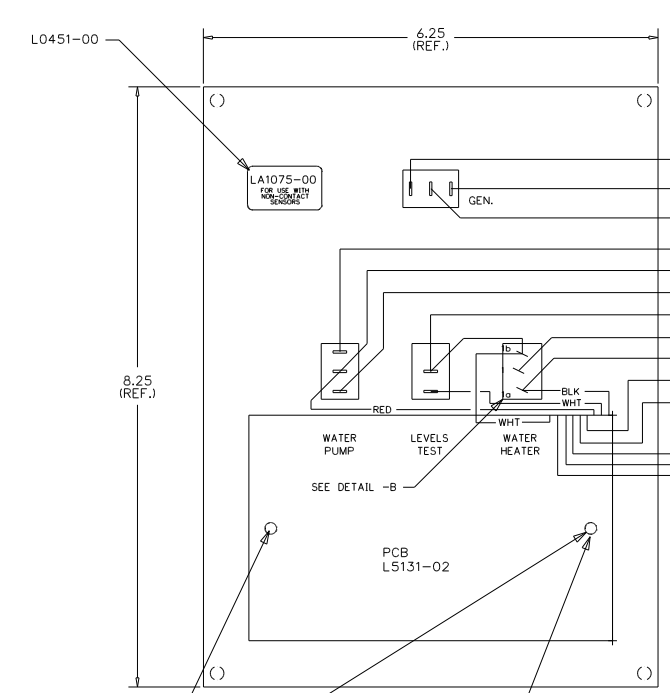
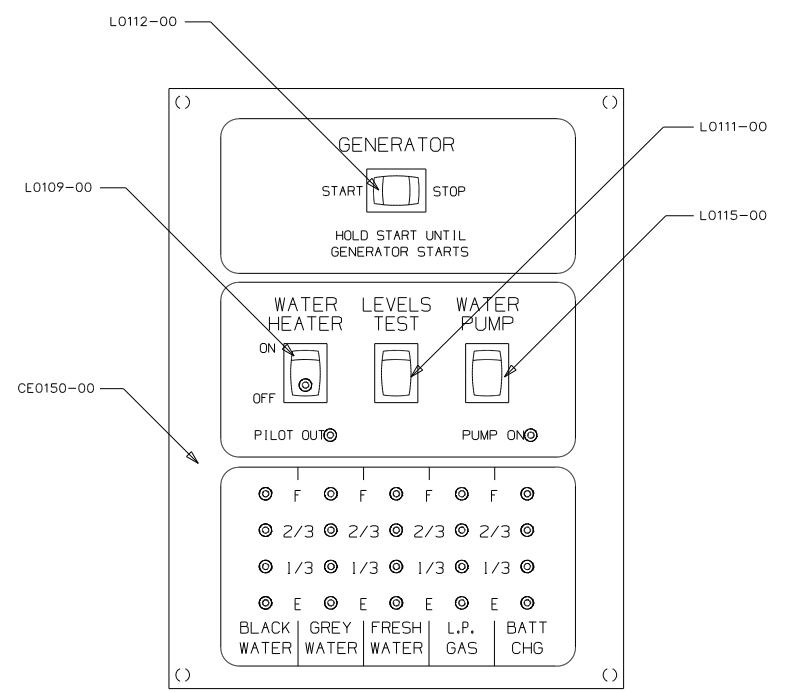
PART NO.	REQ'D	MATERIAL	DESCRIPTION	DWG SIZE
BLANK SIZE			USED ON WINNEBAGO	
DRAWN	DATE	MATERIAL	SEE BOM PAGE 2	
MPR 11/21/03				
CHECKED	DATE	NAME	SCALE: NONE	
MPR 11/21/03				
APPV'D	DATE	FUNCTION DRAWING, MONITOR PANEL	DWG. NO. LA1075-00	PAGE 1 OF 2

FIRST USED	06 500 SERIES
TITLE:	DO NOT SCALE DRAWING
SHEET 11	PART NO 134940
	REV

CONFIDENTIAL  
 THIS DOCUMENT, INCLUDING ALL INFORMATION CONTAINED HEREIN, IS THE EXCLUSIVE AND CONFIDENTIAL PROPERTY OF VENTLINE DIVISION OF TOMKINS INDUSTRIES, INC. THE DOCUMENT AND INFORMATION ARE NOT TO BE COPIED, REPRODUCED OR DELIVERED TO OTHERS, IN WHOLE OR IN PART, WITHOUT THE EXPRESS WRITTEN PERMISSION OF VENTLINE. THE DOCUMENT IS TO BE RETURNED PROMPTLY TO VENTLINE AFTER HAVING SERVED THE PURPOSE FOR WHICH DELIVERED.  
 ©1995 VENTLINE DIVISION, TOMKINS INDUSTRIES, INC.  
 All Rights Reserved, including the right to reproduce this document or any part thereof.

LA1075-00  
 PAGE 2 OF 2

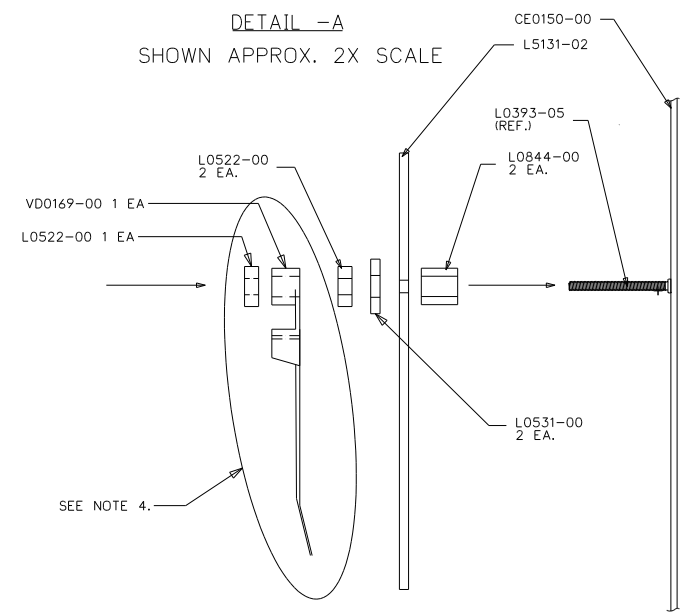
LTR.	DESCRIPTION	DATE	CHK'D BY	CHK'D BY
REL	RELEASED TO PURCHASING AND PRODUCTION ECN 16261	12/3/03	MP/MP	MP/MP
A	ADDED LABEL DETAIL ECN 16381	4-6-04	R.L.	R.L.
B	LS131-02 WAS LS118-02 ECN 16394	4-21-04	R.L.	R.L.



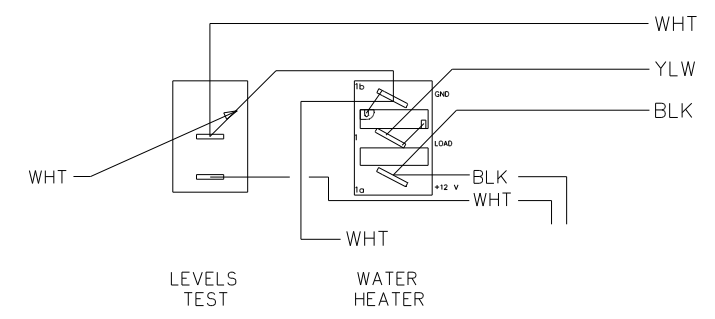
- CTK 1 = NOT USED
- CTK 2 YLW= GENERATOR START
- CTK 3 BRN= GENERATOR STOP
- CTK 4 BLK= GENERATOR NEGATIVE
- CTK 7 14-RED/WHT= WATER PUMP REMOTE SW.
- CTK 8 14-RED= WATER PUMP
- CTK 9 14-WHT/RED= WATER PUMP REMOTE SW.
- CTK 3 WHT= NEGATIVE BATT. TERMINAL
- CTK 13 YLW= D.S.I. WTR. HTR. POS.
- CTK 1 BLK= HOUSE BATTERY POS.
- CTK 15 WHT/BLU= WTR. HTR. PILOT LT.
- CTK 12 WHT/GRN= LP GAS TANK
- CTK 4 RED= FRESH WATER TANK SENSOR
- CTK 6 GRY= GREY WATER TANK SENSOR
- CTK 5 BRN= BLACK WATER TANK SENSOR

VENTLINE WIRING ← → CUSTOMER WIRING

DETAIL -A  
 SHOWN APPROX. 2X SCALE



DETAIL -B  
 SHOWN APPROX. 2X SCALE



LA1075-00  
 FOR USE WITH  
 NON-CONTACT  
 SENSORS  
 (MFG DATE)

PRODUCT LABEL  
 PRINTING DETAIL  
 NO SCALE

- NOTES:
- UNLESS OTHERWISE SPECIFIED ALL WIRE IS 22 AWG.
  - REF. DWG.'S:  
 HARNESS, INTERNAL & SWITCH= L7785-01, -02  
 HARNESS, GEN. INTERNAL & SWITCH= L7786-00  
 PCB= L5131-02  
 HARNESS, TEST= L8012-00  
 TEST BOX= L8506-00
  - ALL PIGTAILS TO BE SUPPLIED BY CUSTOMER.
  - BEFORE PACKING, SECURE HARNESS WITH V00169-00 TIE WRAP ON RIGHT SIDE POST.

PART NO.	REQ'D	MATERIAL	DESCRIPTION	DWG SIZE
V00169-00	1		TIE WRAP	
L7752-00	1		HARNESS, INTERNAL & SWITCH	
L7832-00	1		HARNESS, GENERATOR	
LS131-02	1		PCB	
L0531-00	2		FIBER WASHER	
L0522-00	3		HEX NUT, 6-32	
L0451-00	1		LABEL	
L0844-00	2		PCB SPACER	
L0115-00	1		SWITCH, SPDT ON-ON, BLK	
L0112-00	1		SWITCH, SPDT IONI-OFF-IONI, BLK	
L0111-00	1		SWITCH, SPST MOM. IONI-OFF, BLK	
L0109-00	1		SWITCH, SPST ON-OFF, BLK, GRN LT.	
CE0150-00	1		SILKSCREENED CHASSIS	

BLANK SIZE	DATE	MATERIAL	USED ON	WINNEBAGO
MPR	11/21/03	SEE BOM		
CHECKED	DATE	NAME		
MPR	11/21/03			
APPV'D	DATE			

ENGLISH TOLERANCE UNLESS SPECIFIED)  
 0 PL.: .040 1 PL.: .030  
 2 PL.: .010 3 PL.: .005  
 FRACTIONS: 1/64

FUNCTION DRAWING,  
 MONITOR PANEL  
 LA1075-00

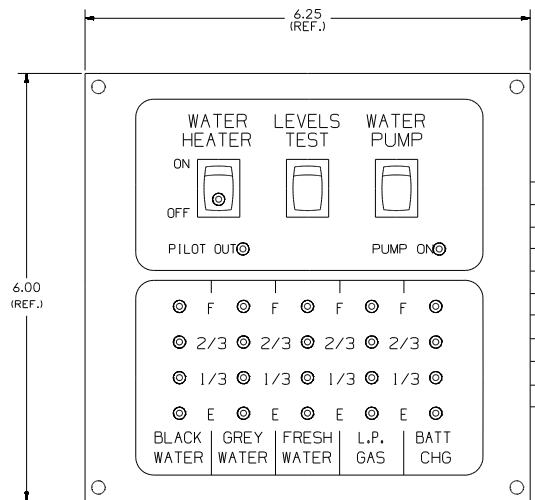
FIRST USED	06 500 SERIES
TITLE:	DO NOT SCALE DRAWING
SHEET 12	PART NO 134940
	REV

**CONFIDENTIAL**  
 THIS DOCUMENT, INCLUDING ALL INFORMATION CONTAINED HEREIN, IS THE EXCLUSIVE AND CONFIDENTIAL PROPERTY OF VENTLINE DIVISION OF TOMKINS INDUSTRIES INC. THE DOCUMENT AND INFORMATION ARE NOT TO BE COPIED, REPRODUCED OR DELIVERED TO OTHERS, IN WHOLE OR IN PART, WITHOUT THE EXPRESS WRITTEN PERMISSION OF VENTLINE. THE DOCUMENT IS TO BE RETURNED PROMPTLY TO VENTLINE AFTER HAVING SERVED THE PURPOSE FOR WHICH DELIVERED.  
 ©1995 VENTLINE DIVISION, TOMKINS INDUSTRIES, INC.  
 All Rights Reserved, including the right to reproduce this document or any part thereof

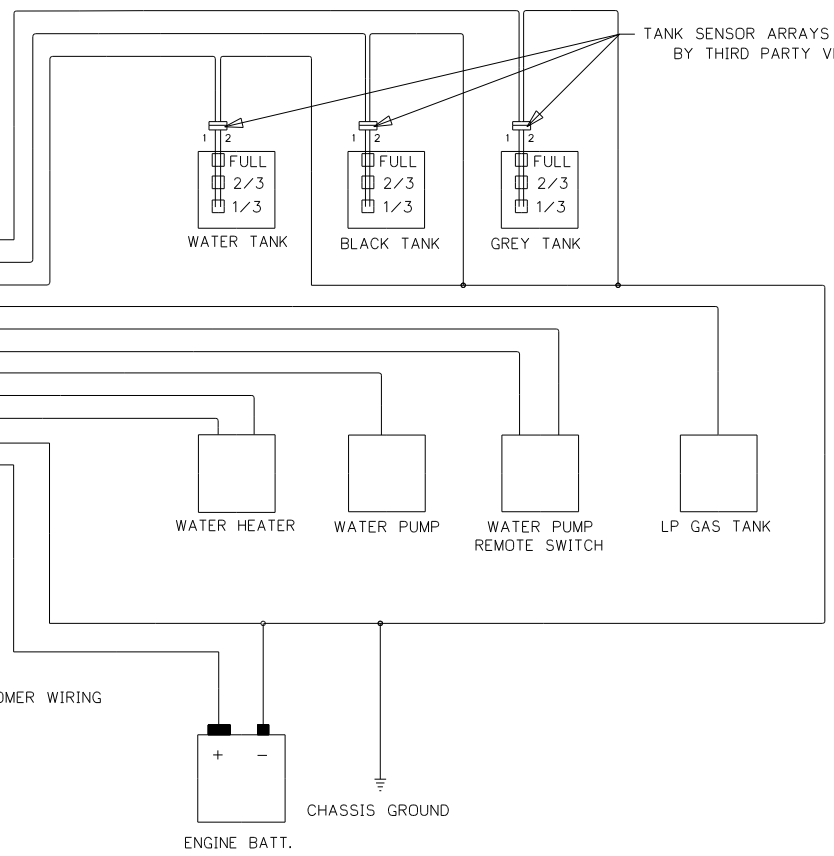
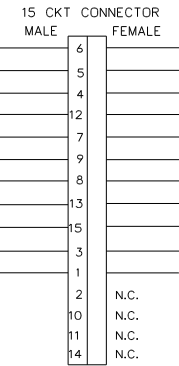
LA1086-00

PAGE 1 OF 2

ECN	LTR.	DESCRIPTION	DATE	CHG. BY	CHK. BY
	o	RELEASE FOR QUOTE AND SAMPLE	04/26/07	MRH	MRH



- GRY= GREY WATER TANK SENSOR
- BRN= BLACK WATER TANK SENSOR
- RED= FRESH WATER TANK SENSOR
- WHT/GRN= LP GAS TANK
- 14-RED/WHT= WATER PUMP REMOTE SW.
- 14-WHT/RED= WATER PUMP REMOTE SW.
- 14-RED= WATER PUMP
- YLW= D.S.I. WTR. HTR. POS.
- WHT/BLU= WTR. HTR. PILOT LT.
- WHT= NEGATIVE BATT. TERMINAL
- BLK= HOUSE BATTERY POS.



TANK SENSOR ARRAYS SUPPLIED BY THIRD PARTY VENDOR

- NOTES:**
- UNLESS OTHERWISE SPECIFIED ALL WIRE IS 22 AWG.
  - REF. DWG.'S:  
 HARNESS, INTERNAL & SWITCH= L7752-00  
 PCB= L5131-02  
 HARNESS, TEST= L7753-00  
 TEST BOX= L8506-00
  - ALL PIGTAILS TO BE SUPPLIED BY CUSTOMER.
  - BEFORE PACKING, SECURE HARNESS WITH VD0169-00 TIE WRAP ON RIGHT SIDE POST.

UNITS OF MEASURE: INCHES UNLESS SPECIFIED

TOLERANCE UNLESS OTHERWISE SPECIFIED	FRACTIONS = ±1/16
0.0 = ±.020	0.00 = ±.010
0.000 = ±.005	ANGLES = ± 1°

PART NO.	REQ'D	MATERIAL	DESCRIPTION	DWG SIZE
BLANK SIZE USED ON WINNEBAGO				
DRAWN		DATE	MATERIAL	
MRH		04/26/07	SEE PAGE 2	
CHECKED		DATE	NAME	
MRH		04/26/07	FUNCTION DRAWING	
APP'VD		DATE	MONITOR PANEL	
			SCALE: NONE	
			DRAWING NO. PAGE 1 OF 2	
			LA1086-00	

© \*VISUALLY CHECK EACH PANEL FOR A RED CIRCUIT BOARD THAT IS THE SPECIFIED PART NUMBER\*

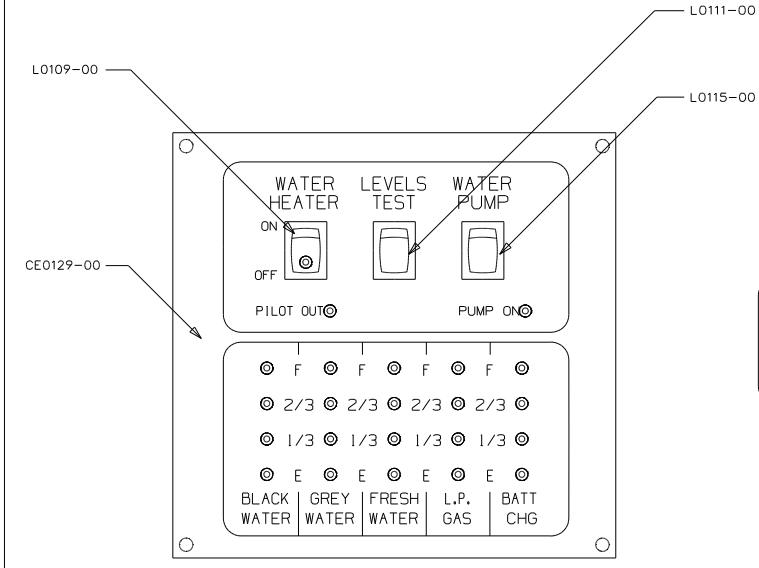
FIRST USED	300 & F SER
TITLE	DO NOT SCALE DRAWING
	PANEL-MONITOR 2-TANK
SHEET 13	PART NO 134940 REV

CONFIDENTIAL  
 THIS DOCUMENT, INCLUDING ALL INFORMATION CONTAINED HEREIN, IS THE EXCLUSIVE AND CONFIDENTIAL PROPERTY OF VENTLINE DIVISION OF TOMKINS INDUSTRIES INC. THE DOCUMENT AND INFORMATION ARE NOT TO BE COPIED, REPRODUCED OR DELIVERED TO OTHERS, IN WHOLE OR IN PART, WITHOUT THE EXPRESS WRITTEN PERMISSION OF VENTLINE. THE DOCUMENT IS TO BE RETURNED PROMPTLY TO VENTLINE AFTER HAVING SERVED THE PURPOSE FOR WHICH DELIVERED.  
 ©1995 VENTLINE DIVISION, TOMKINS INDUSTRIES, INC.  
 All Rights Reserved, including the right to reproduce this document or any part thereof

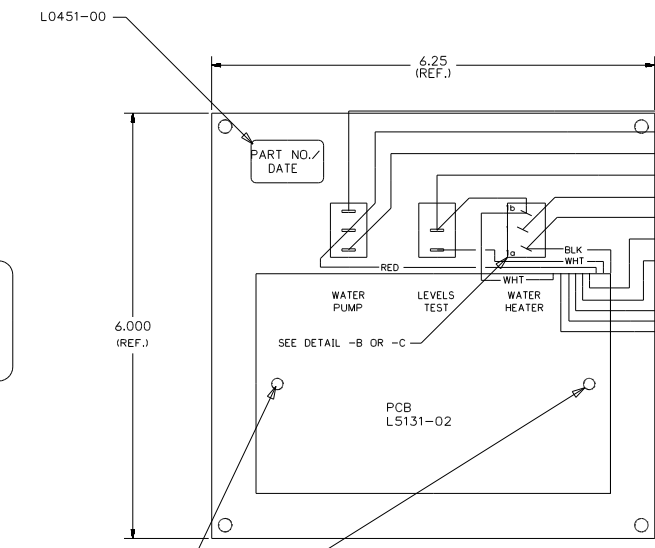
ECN	LTR.	DESCRIPTION	DATE	CHG. BY	CHK. BY
17148	REL	RELEASE TO PURCHASING & PRODUCTION	05/10/07	MRH	MRH

LA1086-00  
 PAGE 2 OF 2

\*VISUALLY CHECK EACH PANEL FOR A RED CIRCUIT BOARD THAT IS THE SPECIFIED PART NUMBER\*



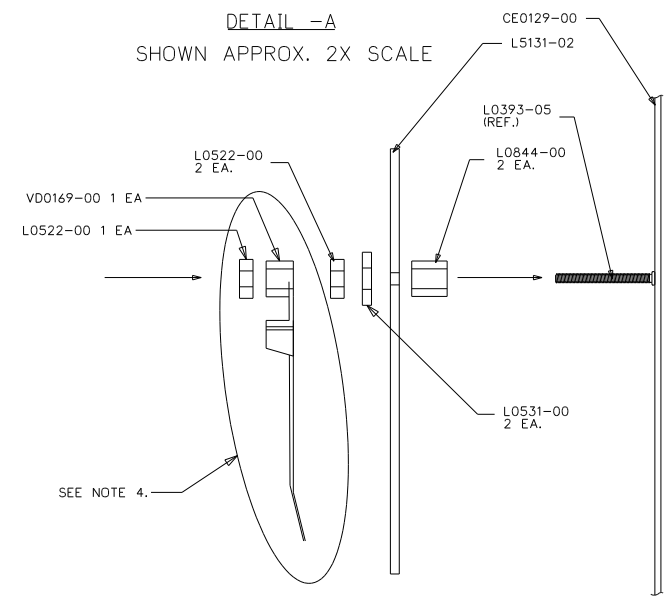
PRODUCT LABEL PRINTING DETAIL NO SCALE  
**LA1086-00**  
 FOR USE WITH NON-CONTACT SENSORS (MFG DATE)



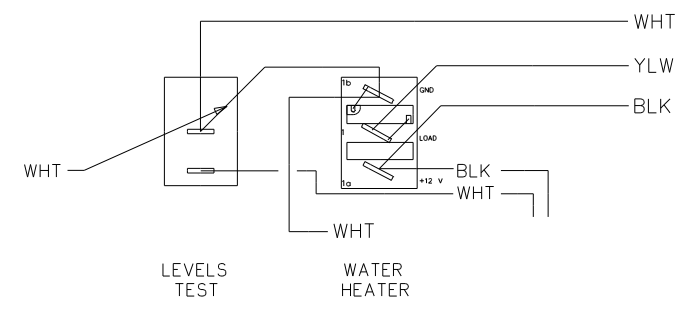
CTK	DESCRIPTION	TERMINAL
7	14-RED/WHT= WATER PUMP REMOTE SW.	7
8	14-RED= WATER PUMP	8
9	14-WHT/RED= WATER PUMP REMOTE SW.	9
3	WHT= NEGATIVE BATT. TERMINAL	3
13	YLW= D.S.I. WTR. HTR. POS.	13
1	BLK= HOUSE BATTERY POS.	1
15	WHT/BLU= WTR. HTR. PILOT LT.	15
12	WHT/GRN= LP GAS TANK	12
4	RED= FRESH WATER TANK SENSOR	4
6	GRY= GREY WATER TANK SENSOR	6
5	BRN= BLACK WATER TANK SENSOR	5

- NOTES:  
 1. UNLESS OTHERWISE SPECIFIED ALL WIRE IS 22 AWG.  
 2. REF. DWG.'S:  
 HARNESS, INTERNAL & SWITCH= L7752-00  
 PCB= L5131-02  
 HARNESS, TEST= L7753-00  
 TEST BOX= L8506-00  
 3. ALL PIGTAILS TO BE SUPPLIED BY CUSTOMER.  
 4. BEFORE PACKING, SECURE HARNESS WITH V00169-00 TIE WRAP ON RIGHT SIDE POST.

DETAIL -A  
 SHOWN APPROX. 2X SCALE



DETAIL -B  
 SHOWN APPROX. 2X SCALE



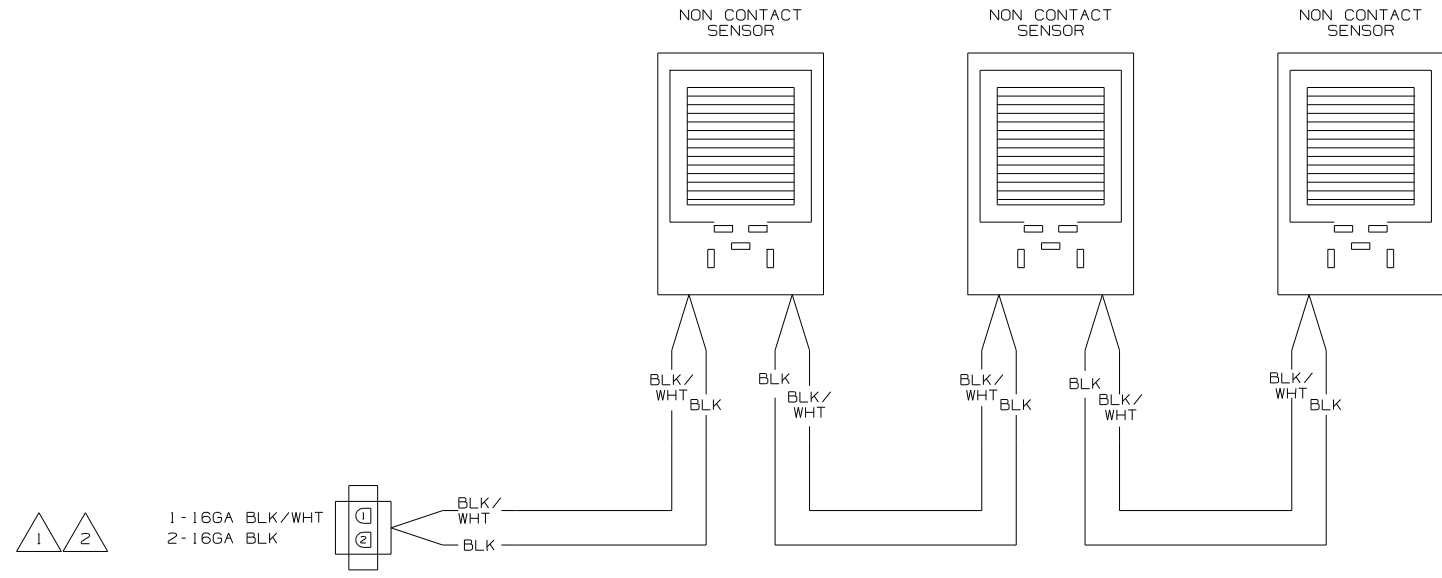
UNITS OF MEASURE: INCHES UNLESS SPECIFIED

TOLERANCE UNLESS OTHERWISE SPECIFIED	FRACTIONS = ± 1/16
0.0 = ±.020	
0.00 = ±.010	
0.000 = ±.005	
	ANGLES = ± 1°

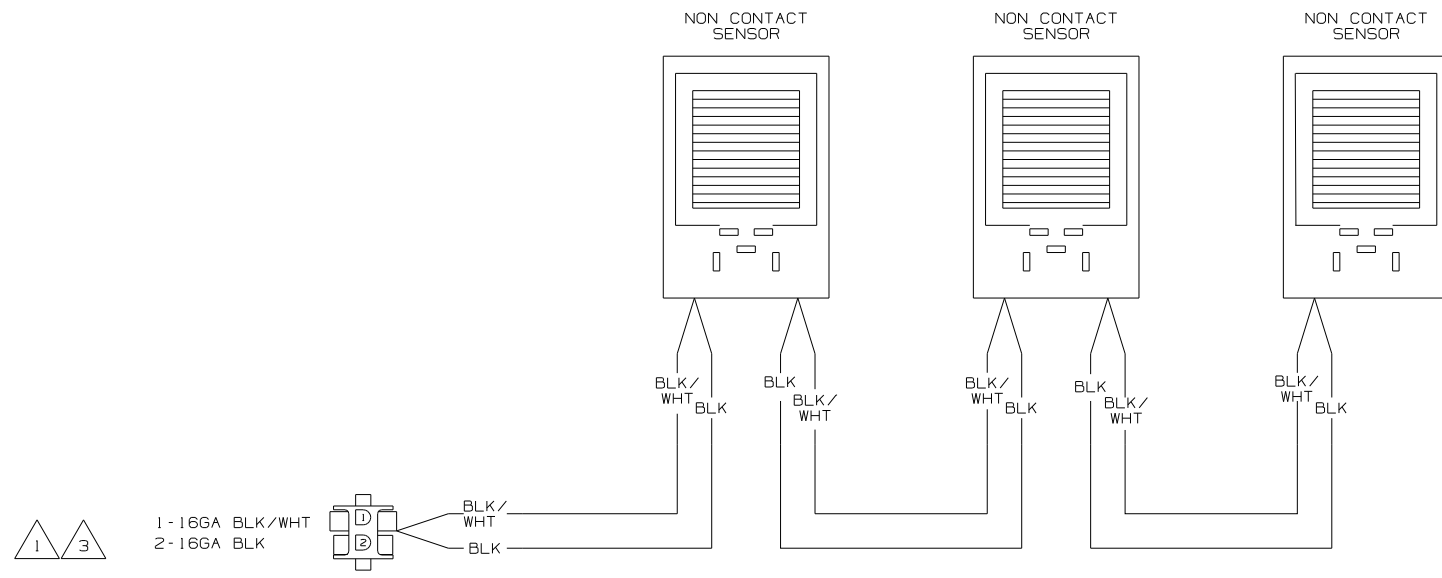
PART NO.	REQ'D	MATERIAL	DESCRIPTION	DWG SIZE
V00169-00	1		TIE WRAP	
L7752-00	1		INTERNAL & SWITCH HARNESS	
L5131-02	1		PCB	
L0844-00	2		PCB SPACER	
L0531-00	2		FIBER WASHER	
L0522-00	3		HEX NUT, 6-32	
L0451-00	1		LABEL	
L0111-00	1		SW, SPST MOM. (ON)-OFF, BLK	
L0109-00	1		SW, SPST ON-OFF, BLK, GRN LT.	
L0115-00	1		SW, SPST ON-ON, BLK	
CE0129-00	1		SILKSCREENED CHASSIS	

BLANK SIZE	USED ON WINNEBAGO
DRAWN DATE	MATERIAL
MRH 04/26/07	SEE BOM
CHECKED DATE	NAME
MRH 04/26/07	FUNCTION DRAWING
APPV'D DATE	MONITOR PANEL
	SCALE: NONE
	DRAWING NO. PAGE 2 OF 2
	LA1086-00

FIRST USED	300 & F SER
TITLE	DO NOT SCALE DRAWING
	PANEL-MONITOR 2-TANK
SHEET 14	PART NO 134940



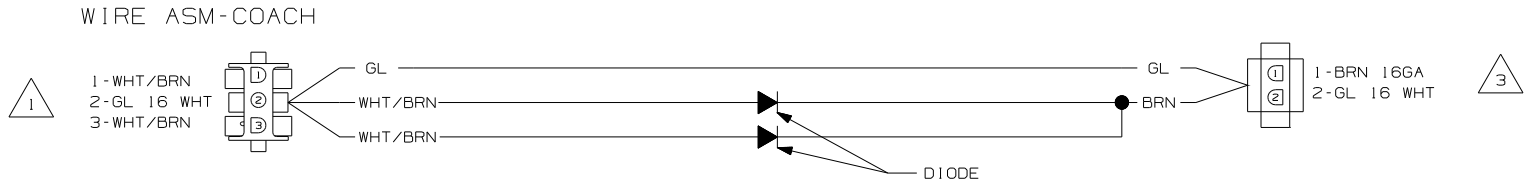
WIRING DIAGRAM-TANK, WATER  
OR  
WIRING DIAGRAM-TANK, MAIN  
(WIRE ASM-151316 REV A)



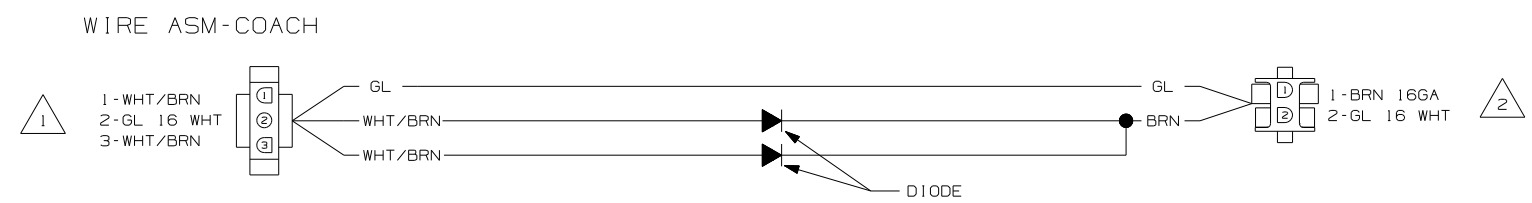
WIRING DIAGRAM-AUX HOLDING  
(WIRE ASM-151317 REV A)

- NOTES:
- 3 IF TWO MONITOR PANELS ARE UTILIZED THIS WIRE ASM CONNECTS TO WIRE ASM-TANK,DIODE PACK 151808-01 SHT2.
  - 2 IF TWO MONITOR PANELS ARE UTILIZED THIS WIRE ASM CONNECTS TO WIRE ASM-TANK,DIODE PACK 151808-02 SHT2.
  - 1 IF ONLY ONE MONITOR PANEL IS USED SEE WIRING DIAGRAM-BODY FOR ADDITIONAL INFORMATION.

<b>WINNEBAGO</b>		COPYRIGHT 2004 WINNEBAGO INDUSTRIES, INC.	
DFTR	ORIG. DATE	ALL DIMENSIONS ARE IN MILLIMETERS	
CHKR		FIRST USED	
P.E.		05 MOTOR HOMES	
M.E.			
DSNR			
UNSPECIFIED TOLERANCES ARE:		MATERIAL:	
WHOLE DIM (X)	:	1	.
ONE-PLACE (X.X)	:		
TWO-PLACE (X.XX)	:		
ANGLE	:		
THIRD ANGLE PROJECTION	⊕		
DO NOT SCALE DRAWING			
TITLE: WIRING DIAGRAM-HOLDING TANKS			
SHEET 1 OF 2	PART NO	152594	
REF: NONE		1 9/8/2004	



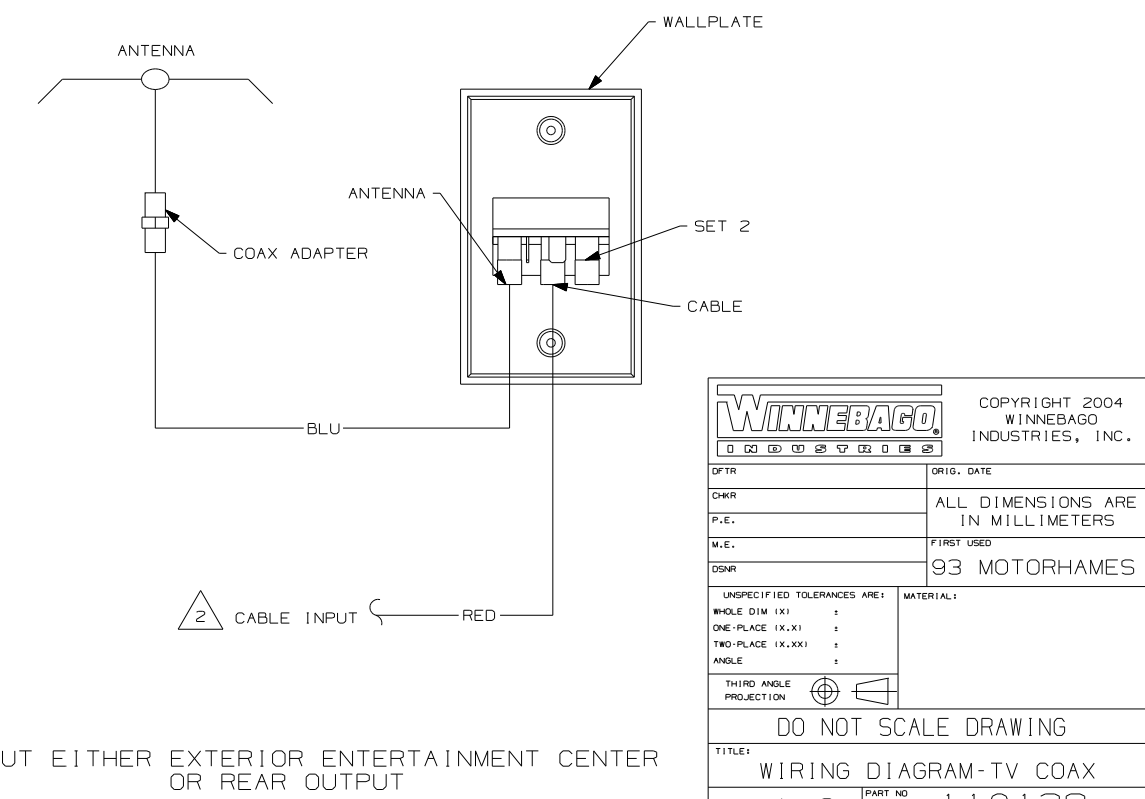
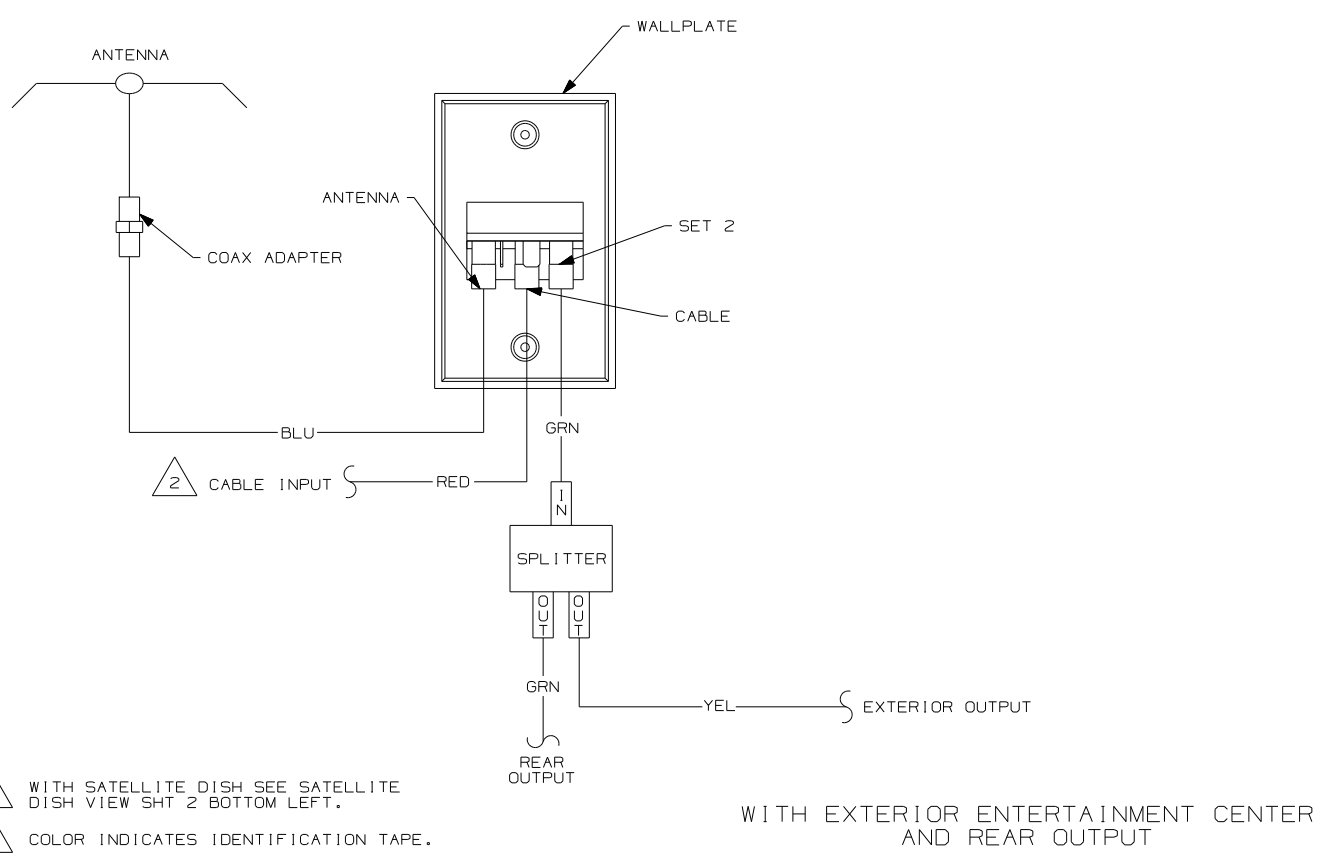
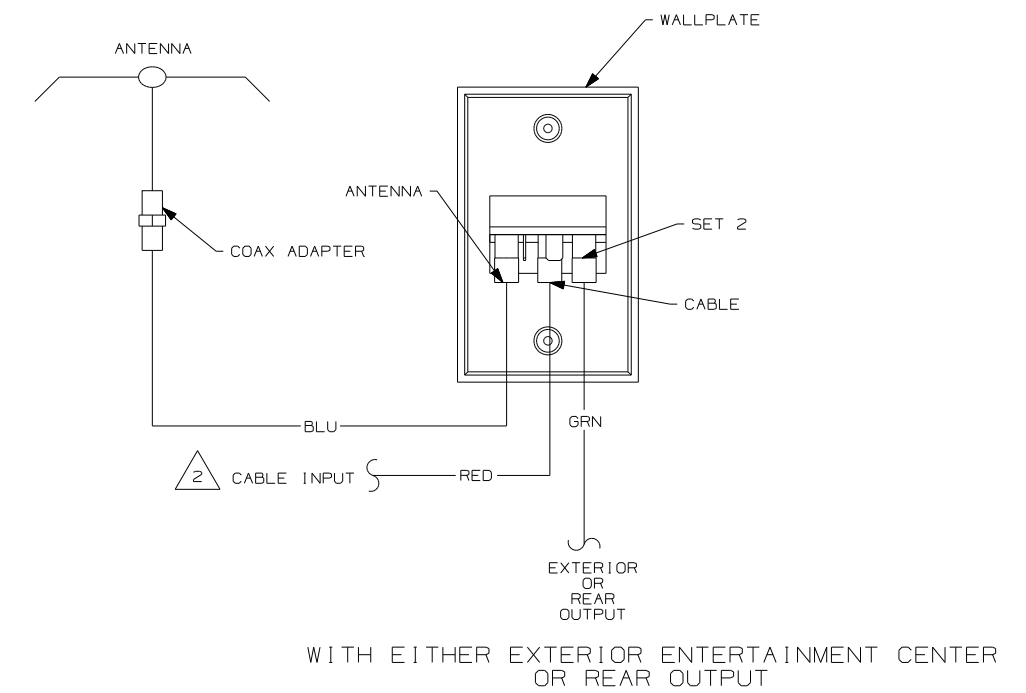
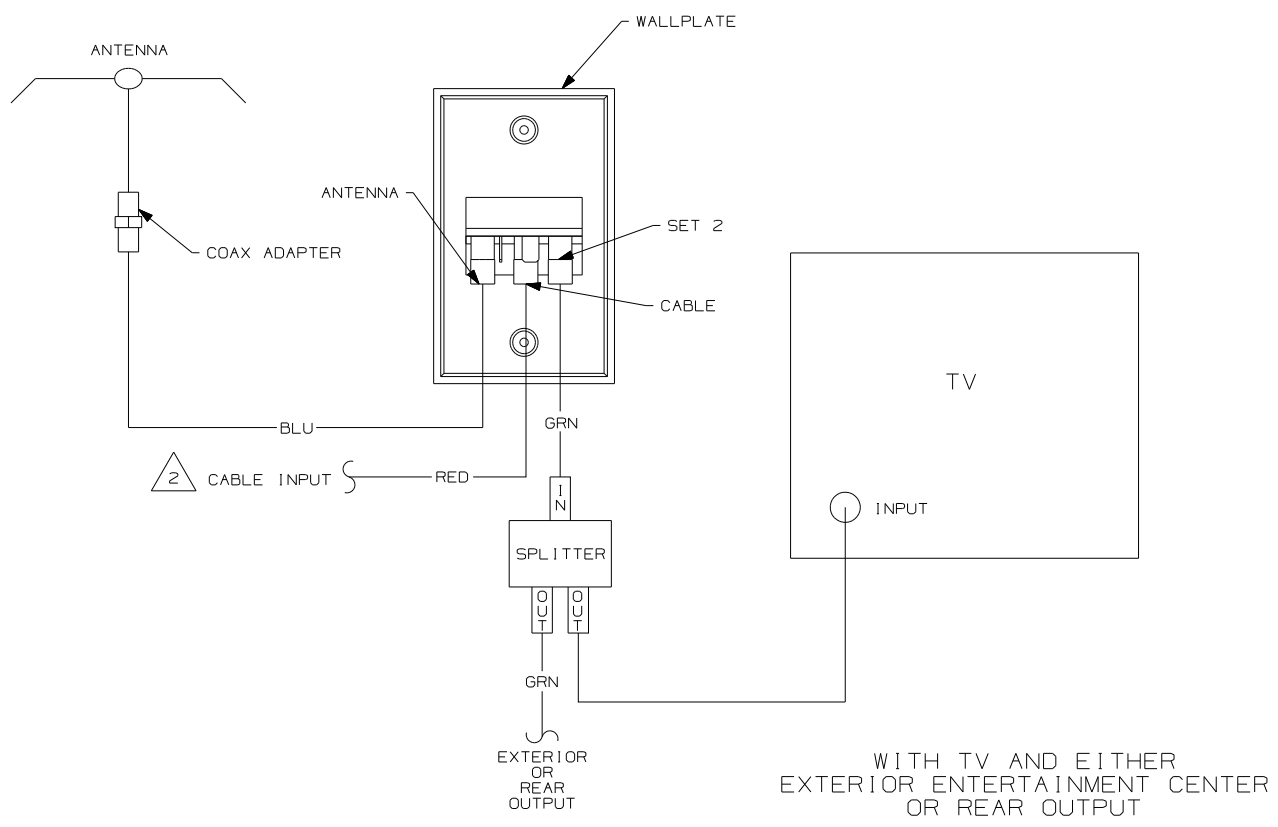
WIRING DIAGRAM-TANK,DIODE PACK  
151808-01-000 REV A



WIRING DIAGRAM-TANK,DIODE PACK  
151808-02-000 REV A

- NOTES:
- 3 CONNECT TO WIRE ASM-TANK,AUX. SEE SHT 1.
  - 2 CONNECT WIRE ASM-TANK,WATER OR MAIN. SEE SHT 1.
  - 1 SEE WIRING DIAGRAM-BODY FOR ADDITIONAL INFORMATION.

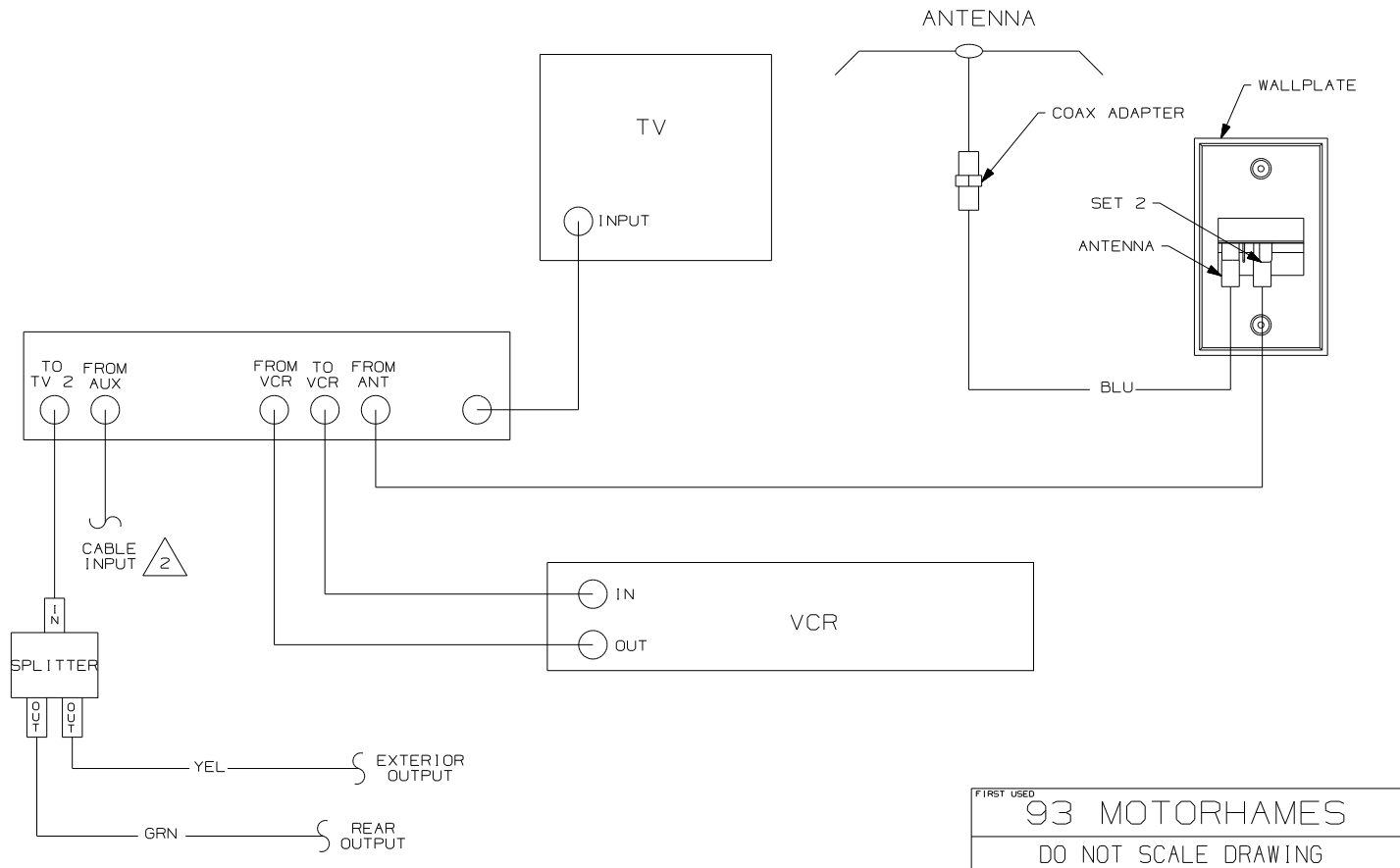
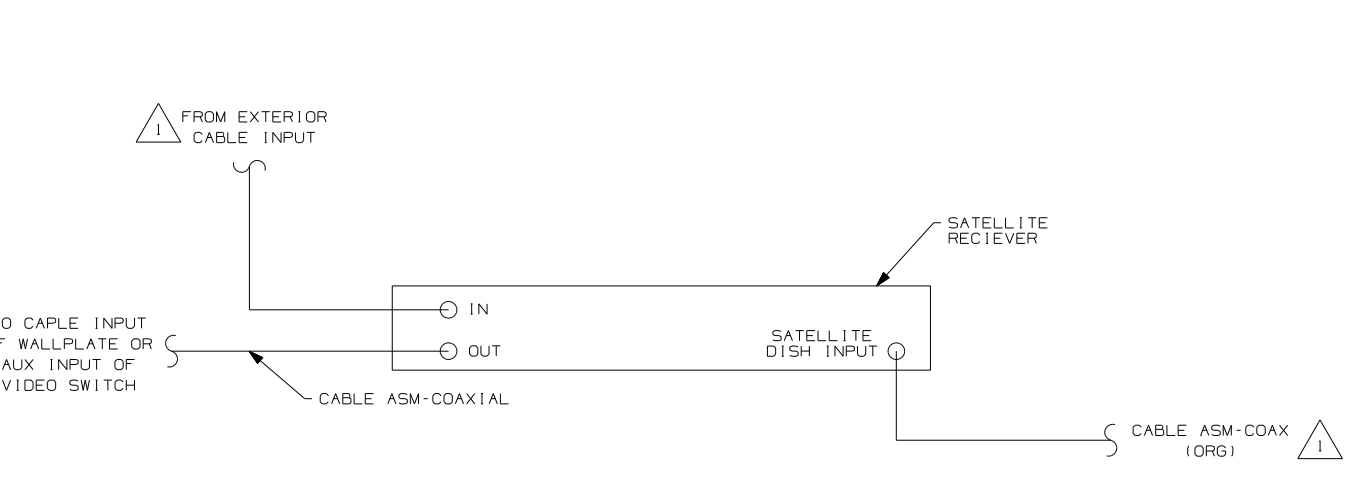
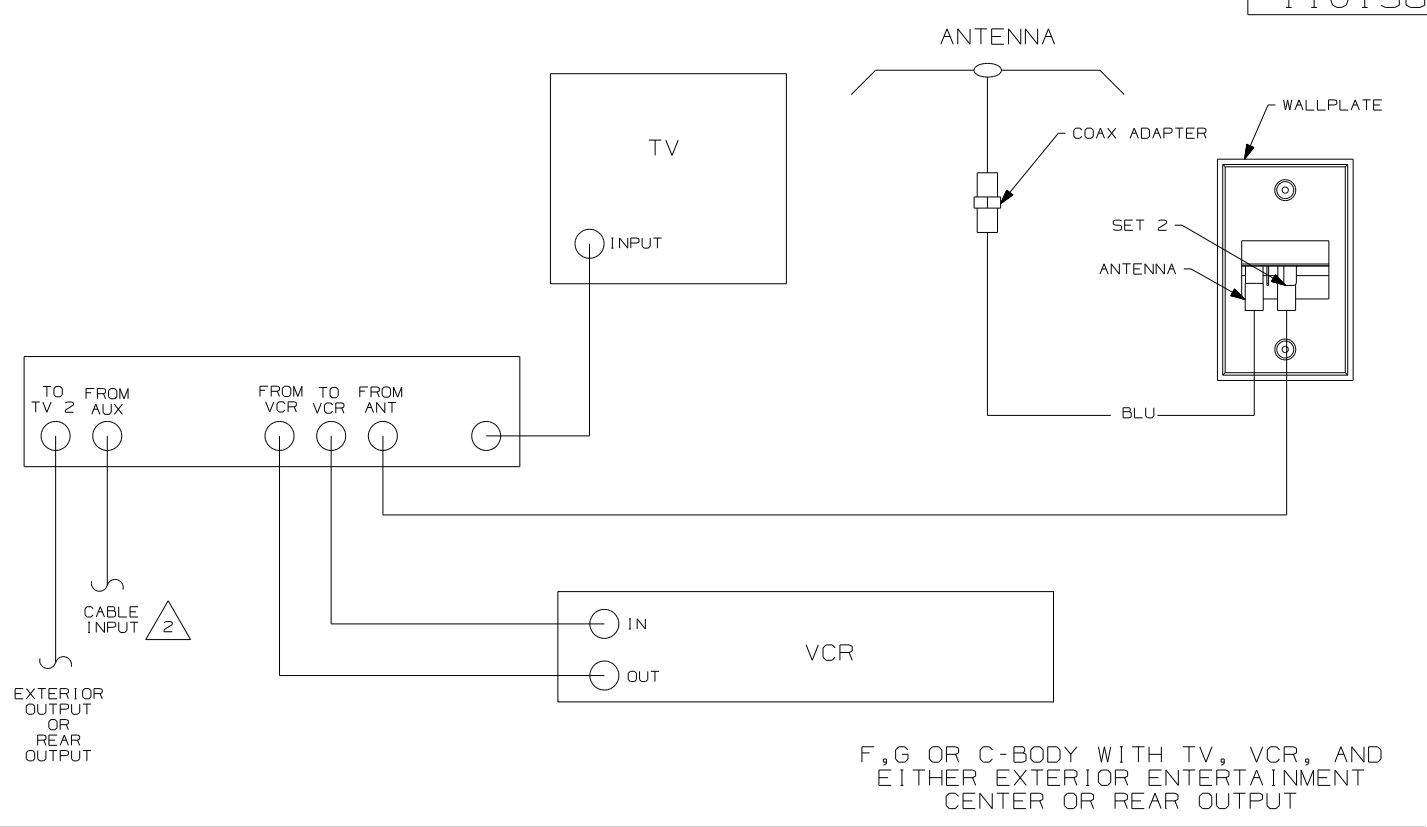
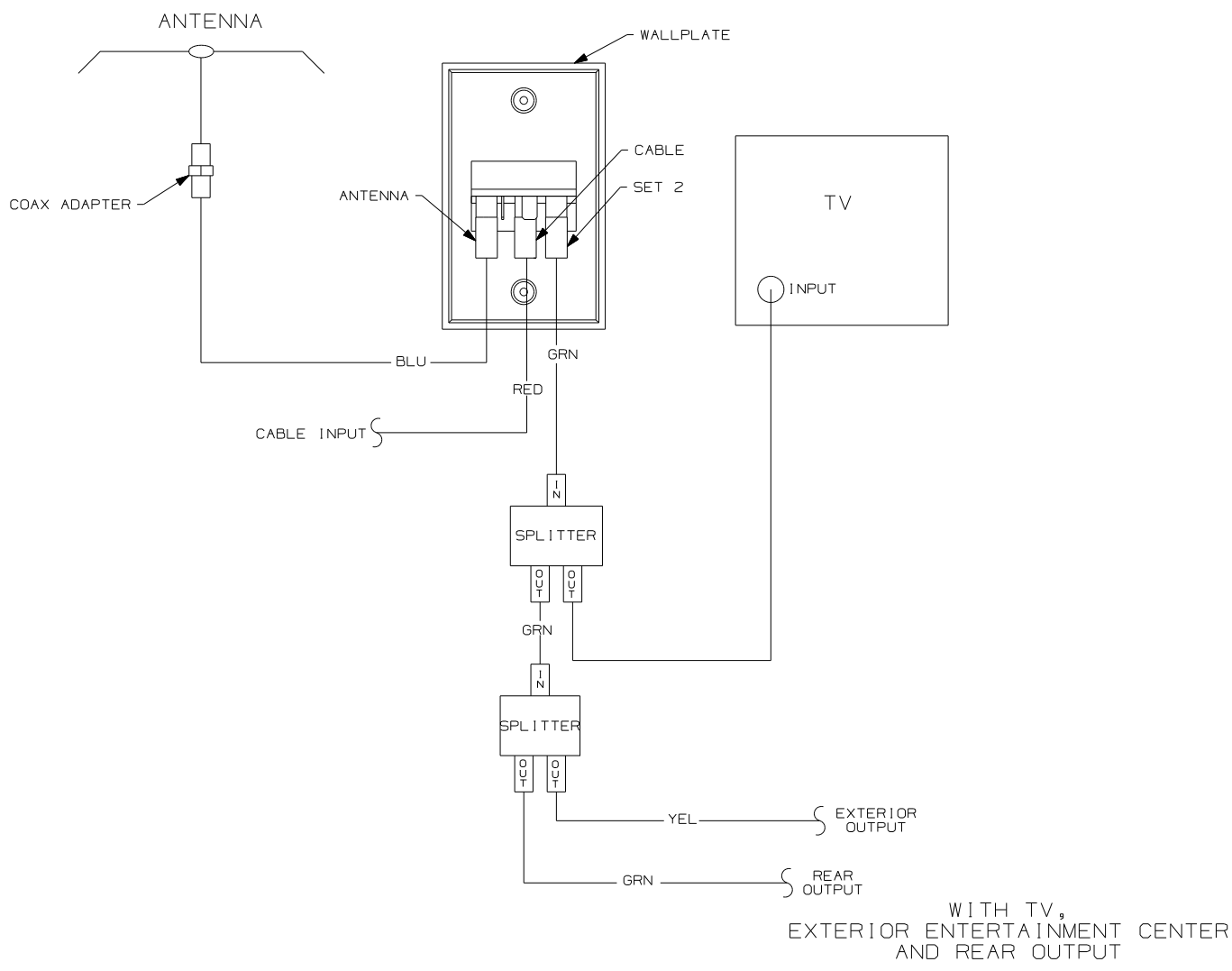
FIRST USED	05 MOTOR HOMES
TITLE:	DO NOT SCALE DRAWING
	WIRING DIAGRAM-HOLDING TANKS
SHEET 2	PART NO 152594



NOTES:  
 2 WITH SATELLITE DISH SEE SATELLITE DISH VIEW SHT 2 BOTTOM LEFT.  
 1 COLOR INDICATES IDENTIFICATION TAPE.

<b>WINNEBAGO</b>		COPYRIGHT 2004 WINNEBAGO INDUSTRIES, INC.	
DFTR	ORIG. DATE	ALL DIMENSIONS ARE IN MILLIMETERS	
CHKR		FIRST USED	
P.E.		93 MOTORHAMES	
M.E.			
DSNR			
UNSPECIFIED TOLERANCES ARE:		MATERIAL:	
WHOLE DIM (X)	:		
ONE-PLACE (X.X)	:		
TWO-PLACE (X.XX)	:		
ANGLE	:		
THIRD ANGLE PROJECTION	⊕		
DO NOT SCALE DRAWING			
TITLE: WIRING DIAGRAM-TV COAX			
SHEET 1 OF 2	PART NO	110138	
REF:		1 07/08/2004	





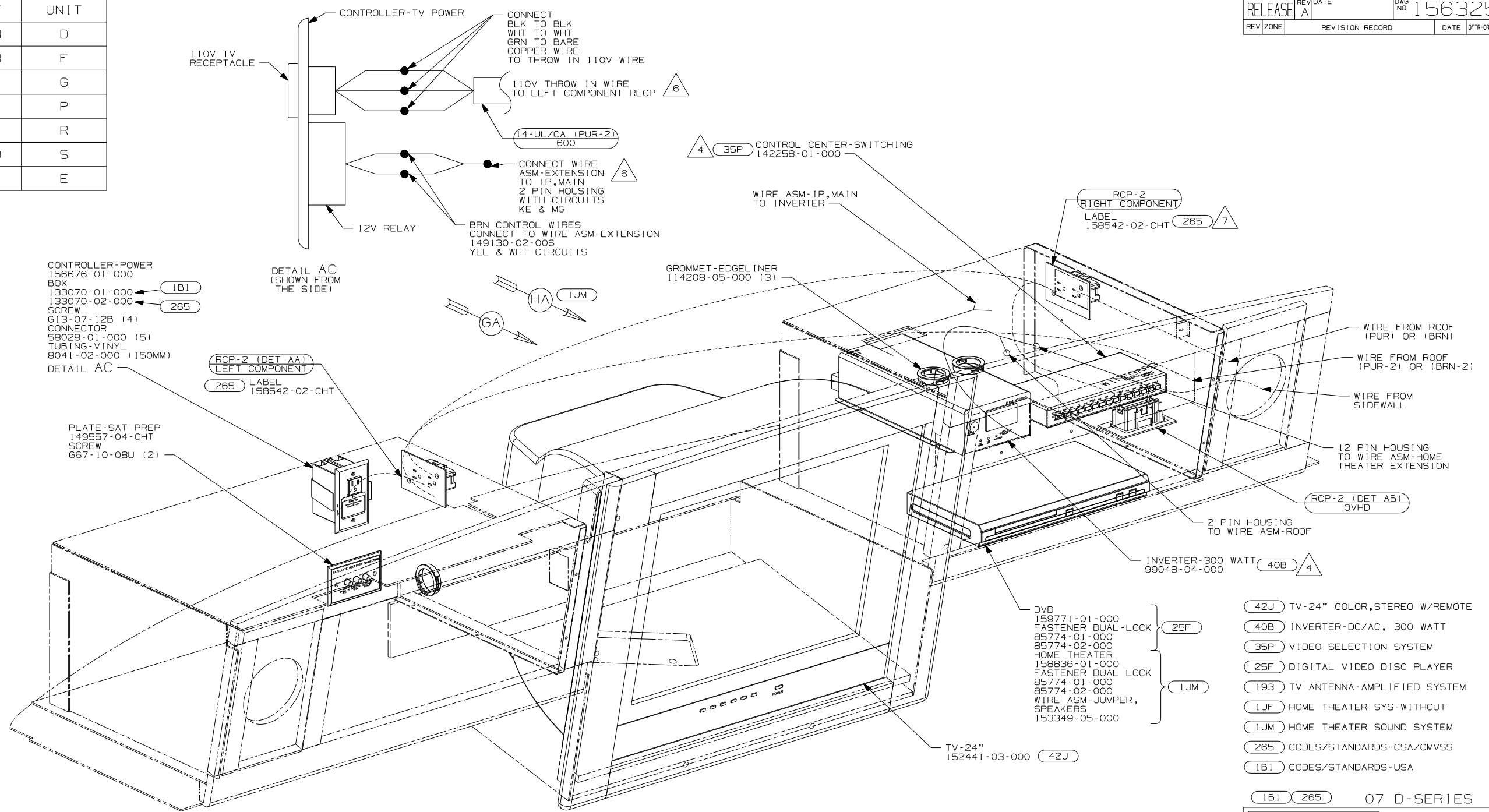
- NOTES:
- 2 WITH SATELLITE DISH SEE SATELLITE DISH VIEW BOTTOM LEFT.
  - 1 CONNECT TV COAX TO JACK ON FRONT OF WALLPLATE.

N,M OR P-SERIES WITH TV AND VCR OR F,G OR C-BODY WITH TV, VCR, EXTERIOR ENTERTAINMENT CENTER AND REAR OUTPUT

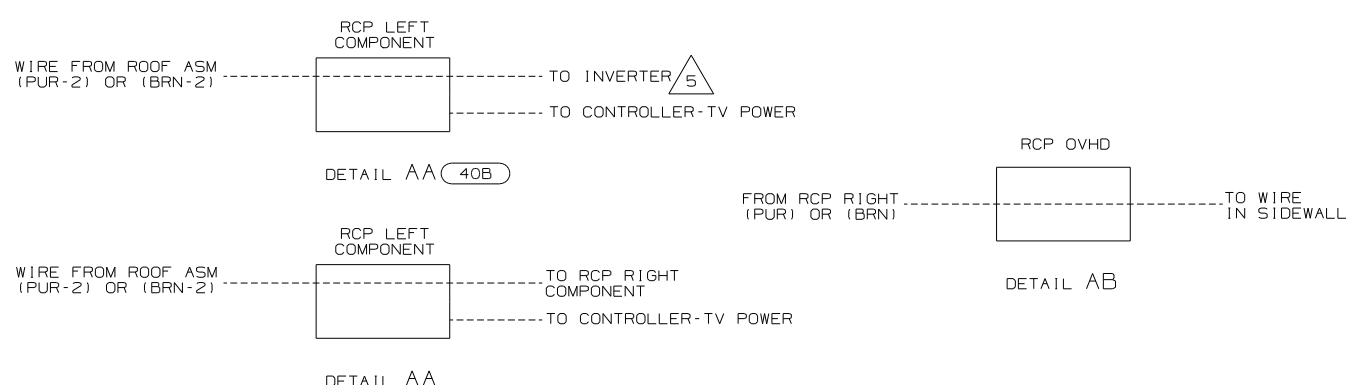
FIRST USED	93 MOTORHAMES
TITLE	DO NOT SCALE DRAWING
SHEET 2	WIRING DIAGRAM-TV COAX
PART NO	110138

DRAWING NO.	SHEET	UNIT
156325-01	1, 7, 8	D
156325-02	2, 7, 8	F
156325-03	3, 8	G
156325-04	4, 8	P
156325-05	5, 8	R
156325-06	6, 8, 9	S
156325-07	10, 11	E

RELEASE REV/DATE A  
 REV ZONE REVISION RECORD DATE DFR-ORIG  
 DWG NO 156325



- 7 WITH 1JF AND WITHOUT 256
- 6 ROUTE 110V AND 12V WIRES IN OPPOSITE ENDS OF ELECTRICAL BOX.
- 5 CONNECT PURPLE-2/BROWN-2 TO INVERTER WITH FEATURE 40B
- 4 SLIDE INVERTER AND VIDEO SWITCH INTO RAILS PROVIDED ON SHELF ASM
3. WHERE WIRES PASS THROUGH HOLES IN STEEL AND NOT OTHERWISE PROTECTED, USE GROMMET 92908-02-000.
2. ALL WIRES TO BE SECURED WITH CLAMP 10495-01-000 OR CLIP 80734-01-000 EVERY 600MM. USE SCREW 667-10-12B UNLESS OTHERWISE SPECIFIED.
1. 110V WIRE TO BE CLAMPED WITH CLAMP 10497-05-000 WITHIN 200MM OF OUTLET BOXES, USE SCREW 667-10-12B.



- 42J TV-24" COLOR, STEREO W/REMOTE
- 40B INVERTER-DC/AC, 300 WATT
- 35P VIDEO SELECTION SYSTEM
- 25F DIGITAL VIDEO DISC PLAYER
- 193 TV ANTENNA-AMPLIFIED SYSTEM
- 1JF HOME THEATER SYS-WITHOUT
- 1JM HOME THEATER SOUND SYSTEM
- 265 CODES/STANDARDS-CSA/CMVSS
- 1B1 CODES/STANDARDS-USA

1B1 265 07 D-SERIES

**WINNEBAGO** COPYRIGHT 2006 WINNEBAGO INDUSTRIES, INC.

DFTR	ORIG. DATE
CHKR	ALL DIMENSIONS ARE IN MILLIMETERS
P.E.	FIRST USED
M.E.	07 A-BODIES
DSNR	

UNSPECIFIED TOLERANCES ARE: MATERIAL:

WHOLE DIM (X)	: 3
ONE-PLACE (X.X)	: 1.5
TWO-PLACE (X.XX)	: 0.50
ANGLE	: 1°

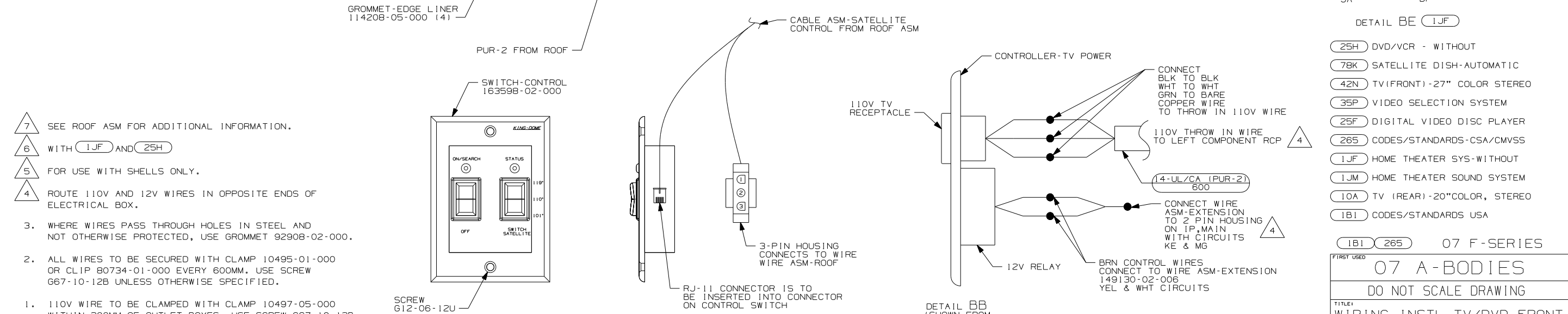
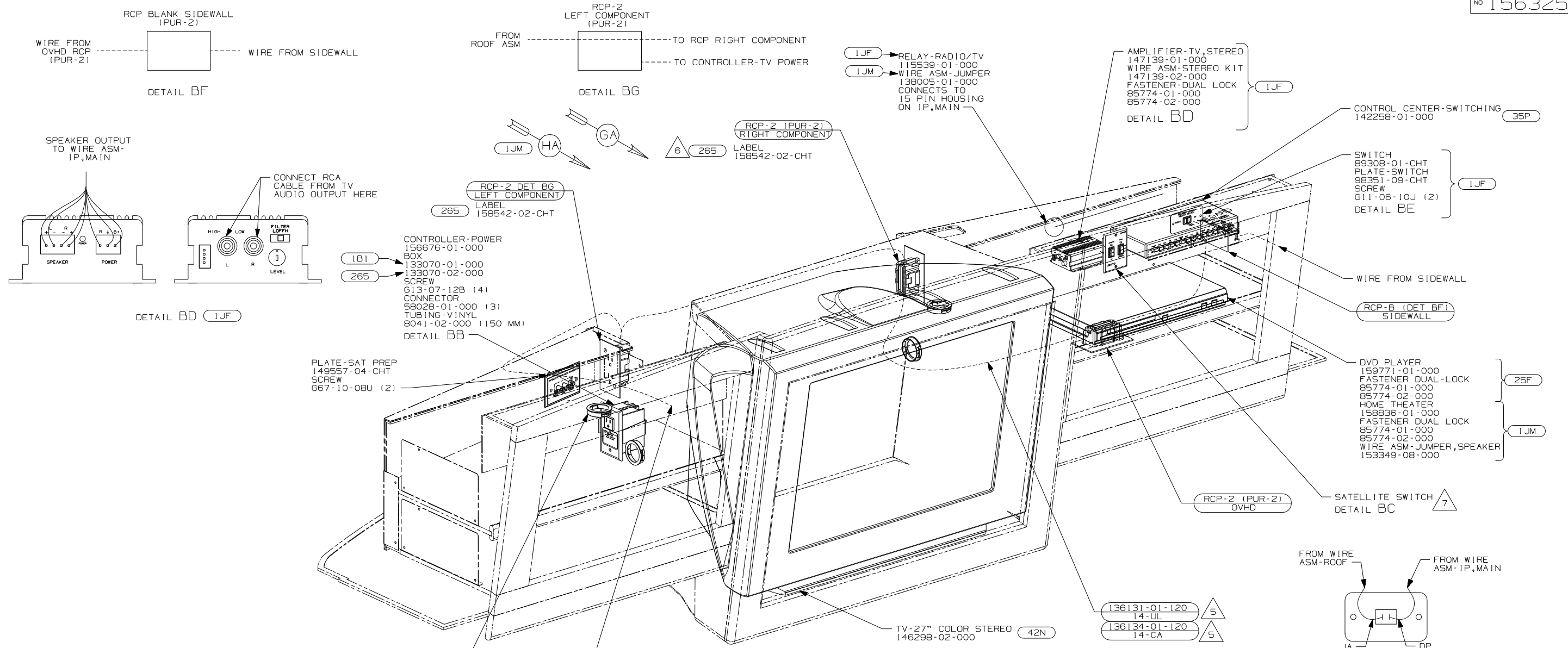
THIRD ANGLE PROJECTION

DO NOT SCALE DRAWING

TITLE: WIRING INSTL-TV/DVD, FRONT

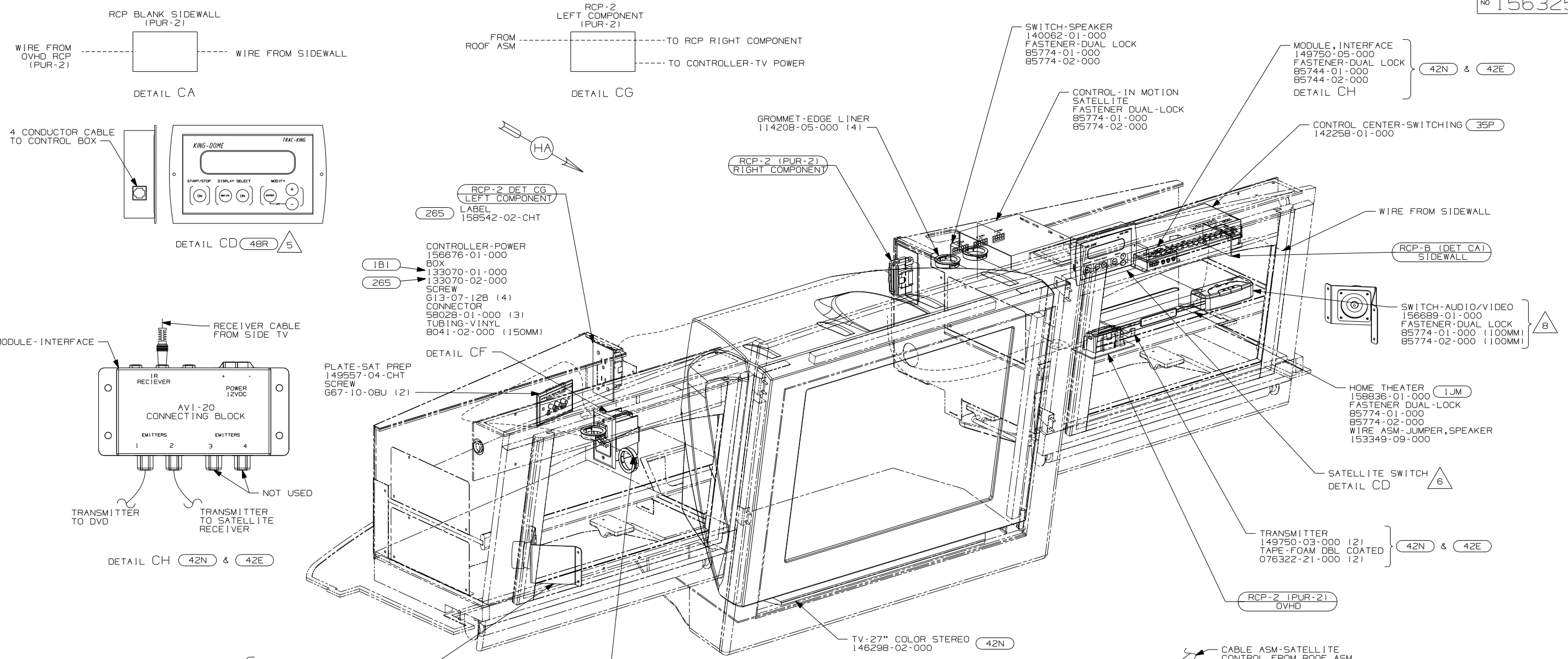
SHEET 1 OF 11 PART NO 156325 REV

REF: 1 2/7/2007



- NOTES:
- 7 SEE ROOF ASM FOR ADDITIONAL INFORMATION.
  - 6 WITH (1JF) AND (25H)
  - 5 FOR USE WITH SHELLS ONLY.
  - 4 ROUTE 110V AND 12V WIRES IN OPPOSITE ENDS OF ELECTRICAL BOX.
  - 3. WHERE WIRES PASS THROUGH HOLES IN STEEL AND NOT OTHERWISE PROTECTED, USE GROMMET 92908-02-000.
  - 2. ALL WIRES TO BE SECURED WITH CLAMP 10495-01-000 OR CLIP 80734-01-000 EVERY 600MM. USE SCREW 667-10-12B UNLESS OTHERWISE SPECIFIED.
  - 1. 110V WIRE TO BE CLAMPED WITH CLAMP 10497-05-000 WITHIN 200MM OF OUTLET BOXES, USE SCREW 667-10-12B.

(25H)	DVD/VCR - WITHOUT
(78K)	SATELLITE DISH-AUTOMATIC
(42N)	TV(FRONT)-27" COLOR STEREO
(35P)	VIDEO SELECTION SYSTEM
(25F)	DIGITAL VIDEO DISC PLAYER
(265)	CODES/STANDARDS-CSA/CMVSS
(1JF)	HOME THEATER SYS-WITHOUT
(1JM)	HOME THEATER SOUND SYSTEM
(10A)	TV (REAR)-20"COLOR, STEREO
(1B1)	CODES/STANDARDS USA
(1B1) (265)	07 F-SERIES
FIRST USED	
07 A-BODIES	
DO NOT SCALE DRAWING	
TITLE: WIRING INSTL-TV/DVD,FRONT	
SHEET 2	PART NO 156325 REV



- 8 USED ON G37B ONLY WITH 42N & 42E
- 7 MOUNT SPEAKER & BRACKET TO REMOVABLE SPEAKER COVER ON SIDE OF OVHD CABINET
- 6 SEE ROOF ASM FOR ADDITIONAL INFORMATION.
- 5 PARTS ARE SUPPLIED WITH SATELLITE KIT 154474-02-000.
- 4 ROUTE 110V AND 12V WIRES IN OPPOSITE ENDS OF ELECTRICAL BOX.
- 3. WHERE WIRES PASS THROUGH HOLES IN STEEL AND NOT OTHERWISE PROTECTED, USE GROMMET 92908-02-000.
- 2. ALL WIRES TO BE SECURED WITH CLAMP 10495-01-000 OR CLIP 80734-01-000 EVERY 600MM. USE SCREW G67-10-12B UNLESS OTHERWISE SPECIFIED.
- 1. 110V WIRE TO BE CLAMPED WITH CLAMP 10497-05-000 WITHIN 200MM OF OUTLET BOXES, USE SCREW G67-10-12B.

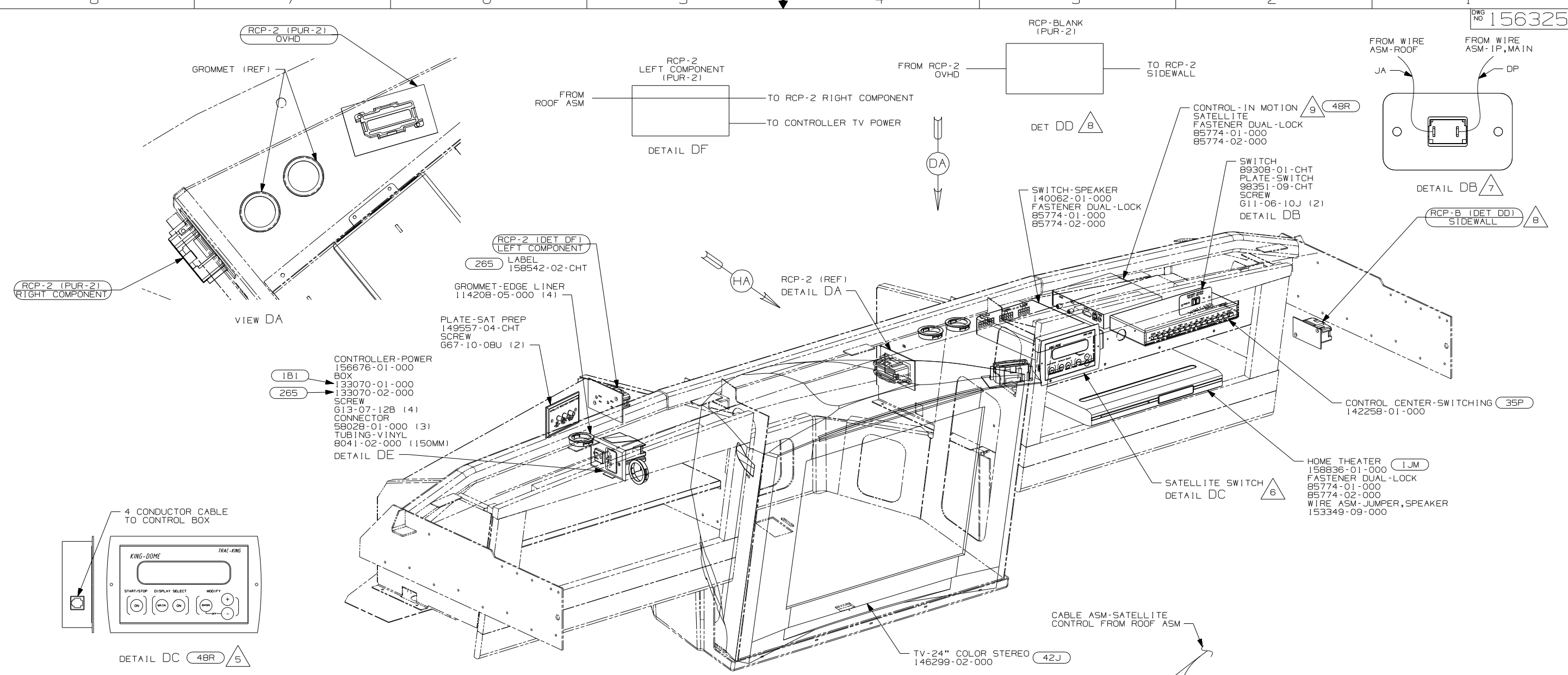
NOTES:

- 42E TV-27" COLOR,STEREO W/REMOTE
- 78K SATELLITE DISH-AUTOMATIC
- 48R SAT SYS IN-MOTION W/O RCVR
- 42N TV(FRONT)-27" COLOR STEREO
- 35P VIDEO SELECTION SYSTEM
- 1JM HOME THEATER SOUND SYSTEM
- 265 CODES/STANDARDS-CSA/CMVSS
- 1B1 CODES/STANDARDS USA

FIRST USED		07 G-SERIES	
07 A-BODIES			
DO NOT SCALE DRAWING			
TITLE: WIRING INSTL-TV/DVD,FRONT			
SHEET 3	PART NO	156325	REV

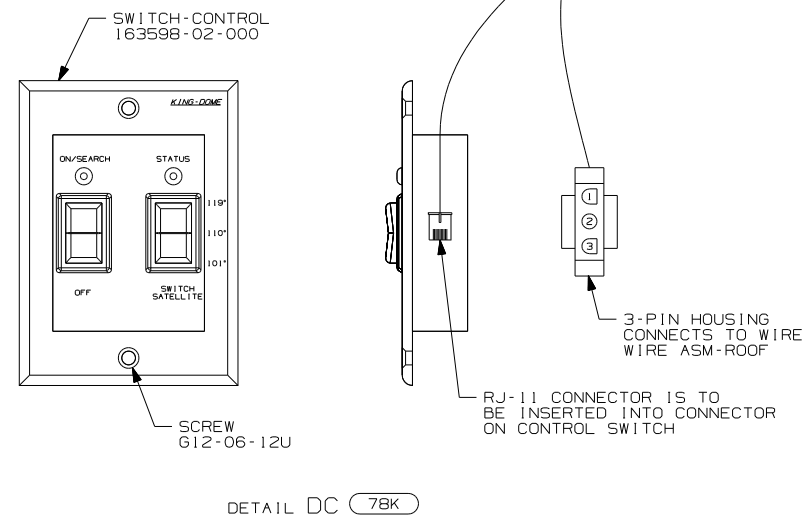
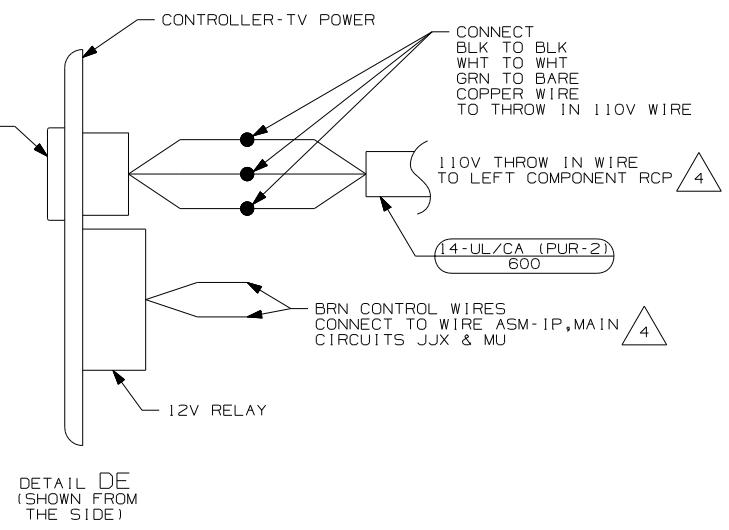
D  
C  
B  
A

D  
C  
B  
A



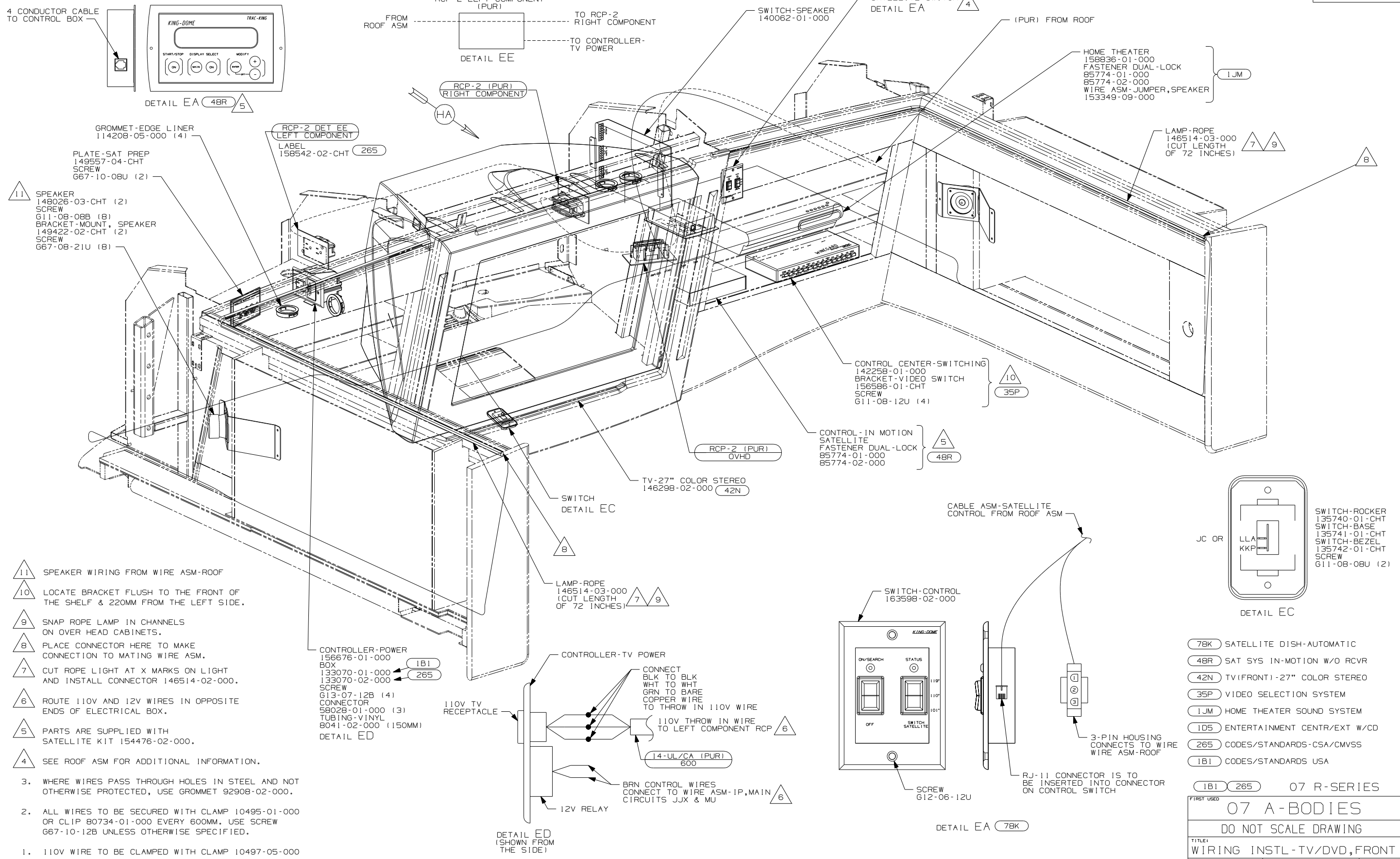
- 8 USED ON P39K ONLY.
  - 7 REMOVE VINYL FROM CUTOUT AT INSTALATION.
  - 6 SEE ROOF ASM FOR ADDITIONAL INFORMATION.
  - 5 ROUTE 110V AND 12V WIRES IN OPPOSITE ENDS OF ELECTRICAL BOX.
  - 4 PARTS ARE SUPPLIED WITH SATELLITE KIT 154474-02-000.
3. WHERE WIRES PASS THROUGH HOLES IN STEEL AND NOT OTHERWISE PROTECTED, USE GROMMET 92908-02-000.
  2. ALL WIRES TO BE SECURED WITH CLAMP 10495 OR 10497 OR WIRE TIE 8343 OR 108046 EVERY 600MM, USE SCREW G67-10-12B UNLESS OTHERWISE SPECIFIED.
  1. 110V WIRE TO BE CLAMPED WITH CLAMP 10497-05-000 WITHIN 200MM OF OUTLET BOXES, USE SCREW G67-10-12B.

NOTES:



- 79J INVERTER/CHARGER-1,500 WATT
- 7BK SATELLITE DISH-AUTOMATIC
- 48R SAT SYS IN-MOTION W/O RCVR
- 42J TV-24" COLOR, STEREO W/REMOTE
- 35P VIDEO SELECTION SYSTEM
- 1JM HOME THEATER SOUND SYSTEM

07 P-SERIES		
FIRST USED		
07 A-BODIES		
DO NOT SCALE DRAWING		
TITLE:		
WIRING INSTL-TV/DVD,FRONT		
SHEET 4	PART NO	REV
	156325	



- 11 SPEAKER WIRING FROM WIRE ASM-ROOF
- 10 LOCATE BRACKET FLUSH TO THE FRONT OF THE SHELF & 220MM FROM THE LEFT SIDE.
- 9 SNAP ROPE LAMP IN CHANNELS ON OVER HEAD CABINETS.
- 8 PLACE CONNECTOR HERE TO MAKE CONNECTION TO MATING WIRE ASM.
- 7 CUT ROPE LIGHT AT X MARKS ON LIGHT AND INSTALL CONNECTOR 146514-02-000.
- 6 ROUTE 110V AND 12V WIRES IN OPPOSITE ENDS OF ELECTRICAL BOX.
- 5 PARTS ARE SUPPLIED WITH SATELLITE KIT 154476-02-000.
- 4 SEE ROOF ASM FOR ADDITIONAL INFORMATION.

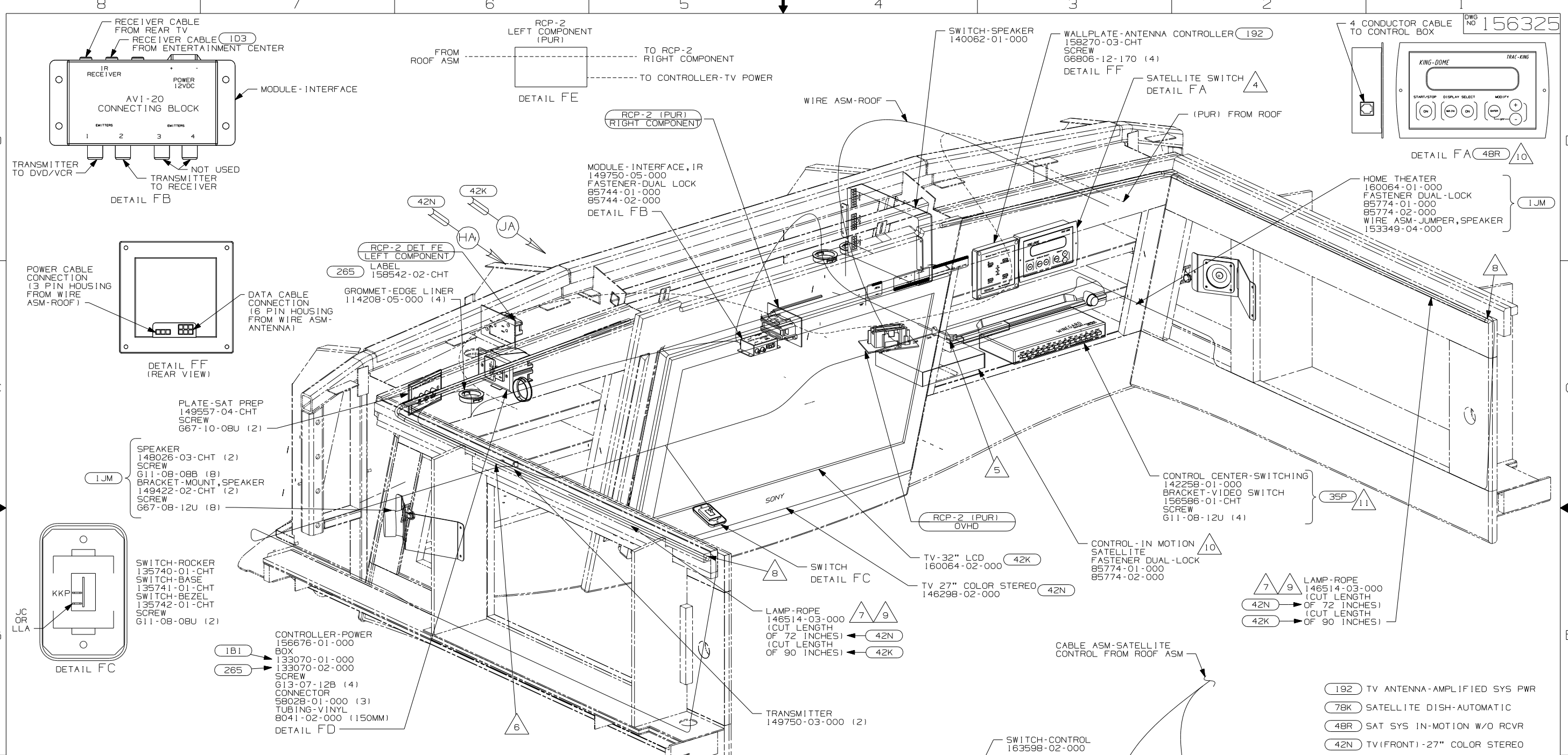
3. WHERE WIRES PASS THROUGH HOLES IN STEEL AND NOT OTHERWISE PROTECTED, USE GROMMET 92908-02-000.
2. ALL WIRES TO BE SECURED WITH CLAMP 10495-01-000 OR CLIP 80734-01-000 EVERY 600MM. USE SCREW 667-10-12B UNLESS OTHERWISE SPECIFIED.

1. 110V WIRE TO BE CLAMPED WITH CLAMP 10497-05-000 WITHIN 200MM OF OUTLET BOXES, USE SCREW 667-10-12B.

NOTES:

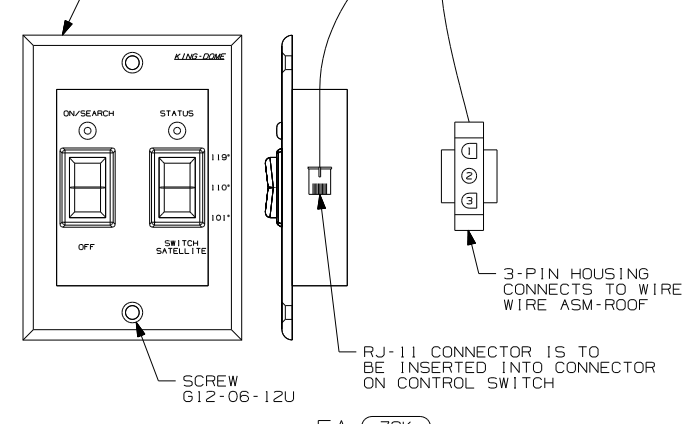
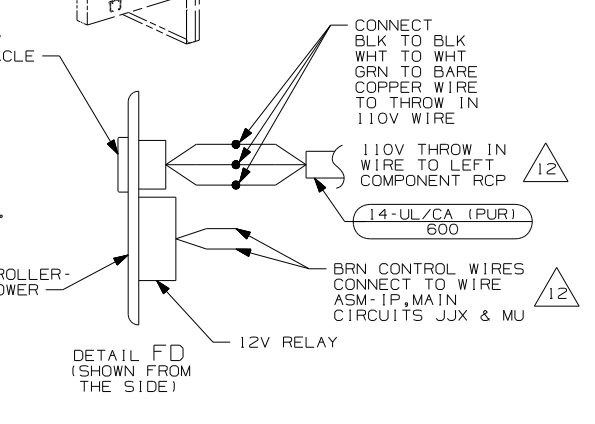
- (78K) SATELLITE DISH-AUTOMATIC
- (48R) SAT SYS IN-MOTION W/O RCVR
- (42N) TV(FRONT)-27" COLOR STEREO
- (35P) VIDEO SELECTION SYSTEM
- (1JM) HOME THEATER SOUND SYSTEM
- (1D5) ENTERTAINMENT CENTR/EXT W/CD
- (265) CODES/STANDARDS-CSA/CMVSS
- (1B1) CODES/STANDARDS USA

FIRST USED		07 R-SERIES	
07 A-BODIES			
DO NOT SCALE DRAWING			
TITLE: WIRING INSTL-TV/DVD,FRONT			
SHEET 5	PART NO	156325	REV



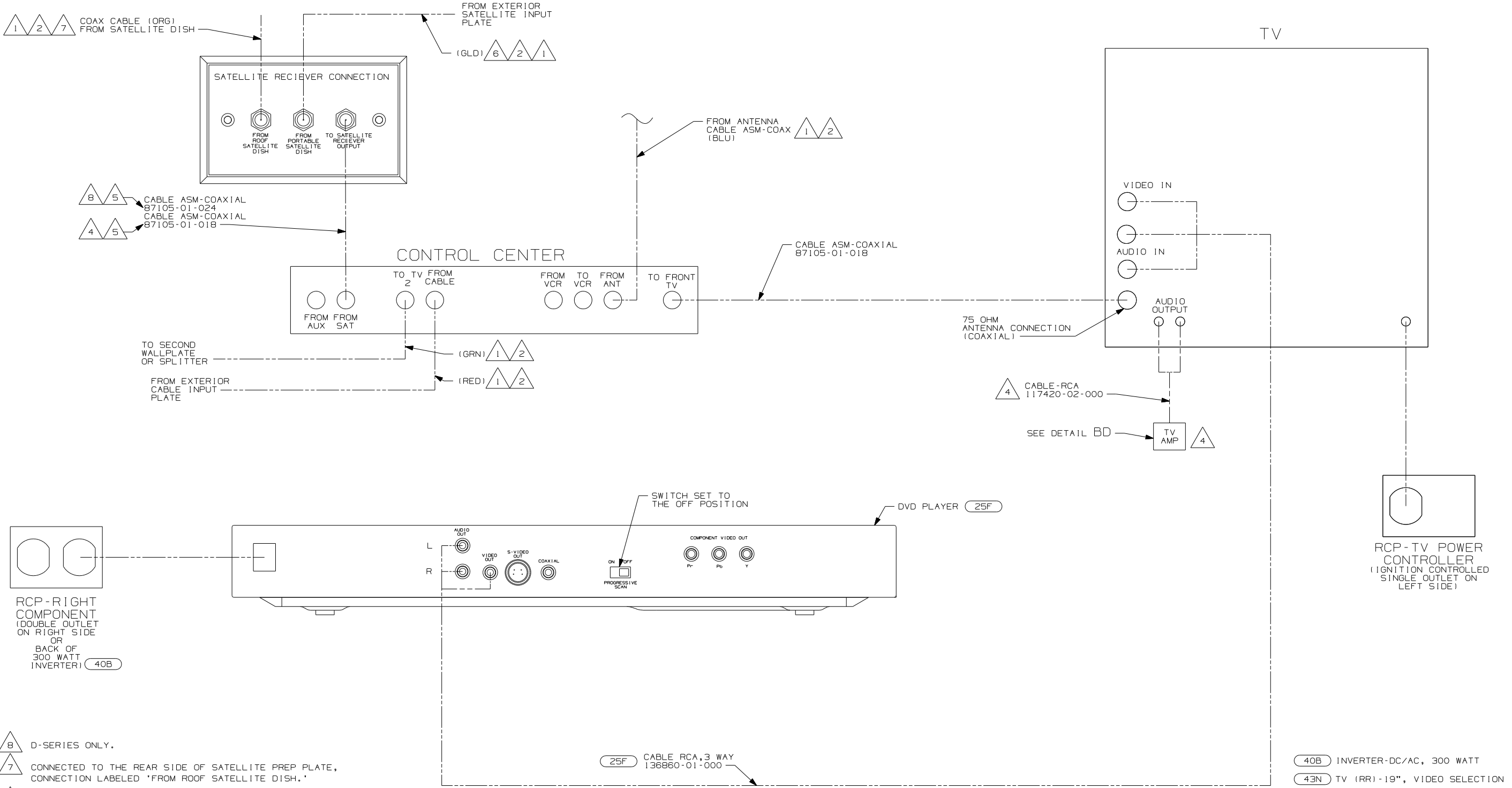
- NOTES:
- 110V WIRE TO BE CLAMPED WITH CLAMP 10497-05-000 WITHIN 200MM OF OUTLET BOXES, USE SCREW G67-10-12B.
  - ALL WIRES TO BE SECURED WITH CLAMP 10495-01-000 OR CLIP 80734-01-000 EVERY 600MM. USE SCREW G67-10-12B UNLESS OTHERWISE SPECIFIED.
  - WHERE WIRES PASS THROUGH HOLES IN STEEL AND NOT OTHERWISE PROTECTED, USE GROMMET 92908-02-000.
  - SEE ROOF ASM FOR ADDITIONAL INFORMATION.
  - POSITION TRANSMITTER ON THE FRONT LEFT SIDE OF THE DVD/VCR USING TIE-MOUNT 155366-01-000 AND TIE-WIRE 8343-01-000 45MM UP FROM THE BOTTOM TO LINE UP WITH THE RECEIVER EYE.
  - POSITION TRANSMITTER IN THE MIDDLE OF THE TOP SHELF, TOWARD OUTER EDGE OF SHELF.

- 7 CUT ROPE LIGHT AT X MARKS ON LIGHT AND INSTALL CONNECTOR 146514-02-000.
- 8 PLACE CONNECTOR HERE TO MAKE CONNECTION TO MATING WIRE ASM.
- 9 SNAP ROPE LAMP IN CHANNELS ON OVER HEAD CABINETS.
- 10 PARTS ARE SUPPLIED WITH SATELLITE KIT 154476-02-000.
- 11 LOCATE BRACKET FLUSH TO THE FRONT OF THE SHELF & 220MM FROM THE LEFT SIDE.
- 12 ROUTE 110V AND 12V WIRES IN OPPOSITE ENDS OF ELECTRICAL BOX.



- (192) TV ANTENNA-AMPLIFIED SYS PWR
- (78K) SATELLITE DISH-AUTOMATIC
- (48R) SAT SYS IN-MOTION W/O RCVR
- (42N) TV(FRONT)-27\"/>

FIRST USED		07 S-SERIES	
<b>07 A-BODIES</b>			
DO NOT SCALE DRAWING			
TITLE: WIRING INSTL-TV/DVD,FRONT			
SHEET 6	PART NO	156325	REV



- 8 D-SERIES ONLY.
- 7 CONNECTED TO THE REAR SIDE OF SATELLITE PREP PLATE, CONNECTION LABELED 'FROM ROOF SATELLITE DISH.'
- 6 CONNECTED TO THE REAR SIDE OF SATELLITE PREP PLATE, CONNECTION LABELED 'FROM PORTABLE SATELLITE DISH.'
- 5 CONNECTED TO THE FRONT SIDE OF SATELLITE PREP PLATE, CONNECTION LABELED 'TO SATELLITE RECIeIVER OUTPUT.'
- 4 F-SERIES ONLY
- 3 CABLE IS SUPPLIED WITH RECEIVER.
- 2 CABLE ROUTED IN ROOF.
- 1 CABLE ASM MARKED WITH COLORED TAPE.

NOTES:

25F CABLE RCA, 3 WAY 136860-01-000

DETAIL GA

- 40B INVERTER-DC/AC, 300 WATT
- 43N TV (RR1)-19", VIDEO SELECTION
- 25F DIGITAL VIDEO DISC PLAYER
- 265 CODES/STANDARDS-CSA/CMVSS
- 1B1 CODES/STANDARDS USA

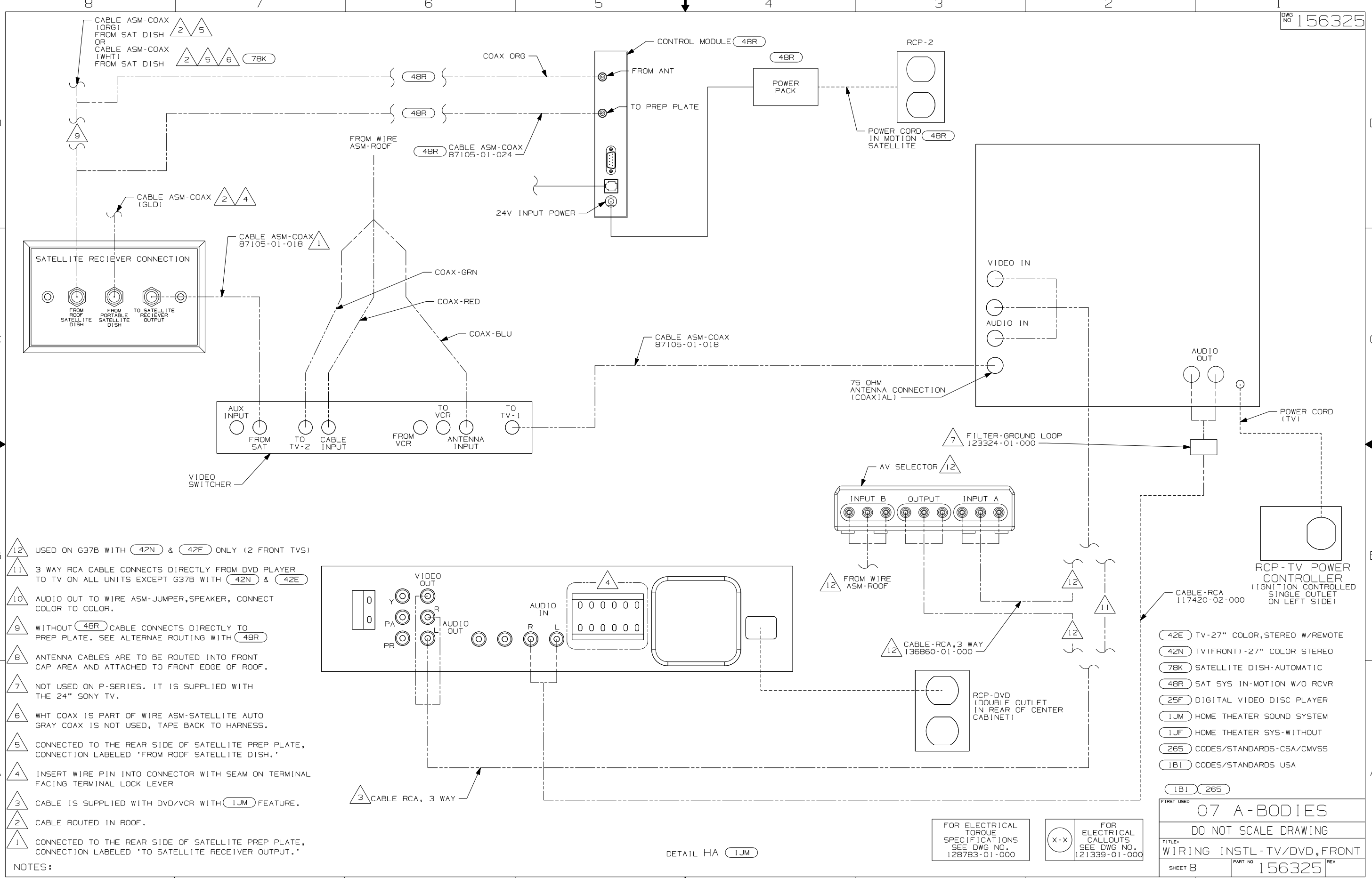
1B1 265 D & F-SERIES

FIRST USED	
07 A-BODIES	
DO NOT SCALE DRAWING	
TITLE:	
WIRING INSTL-TV/DVD,FRONT	
SHEET 7	PART NO 156325 REV

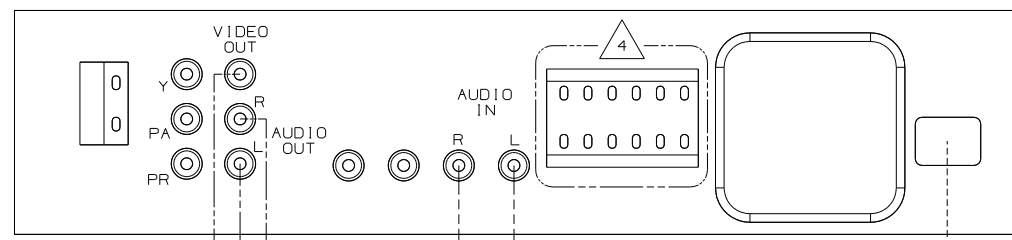
FOR ELECTRICAL TORQUE SPECIFICATIONS SEE DWG NO. 128783-01-000

FOR ELECTRICAL CALLOUTS SEE DWG NO. 121339-01-000





- 12 USED ON G37B WITH 42N & 42E ONLY (2 FRONT TVS)
- 11 3 WAY RCA CABLE CONNECTS DIRECTLY FROM DVD PLAYER TO TV ON ALL UNITS EXCEPT G37B WITH 42N & 42E
- 10 AUDIO OUT TO WIRE ASM-JUMPER, SPEAKER, CONNECT COLOR TO COLOR.
- 9 WITHOUT 48R CABLE CONNECTS DIRECTLY TO PREP PLATE. SEE ALTERNATE ROUTING WITH 48R
- 8 ANTENNA CABLES ARE TO BE ROUTED INTO FRONT CAP AREA AND ATTACHED TO FRONT EDGE OF ROOF.
- 7 NOT USED ON P-SERIES. IT IS SUPPLIED WITH THE 24" SONY TV.
- 6 WHT COAX IS PART OF WIRE ASM-SATELLITE AUTO GRAY COAX IS NOT USED, TAPE BACK TO HARNESS.
- 5 CONNECTED TO THE REAR SIDE OF SATELLITE PREP PLATE, CONNECTION LABELED 'FROM ROOF SATELLITE DISH.'
- 4 INSERT WIRE PIN INTO CONNECTOR WITH SEAM ON TERMINAL FACING TERMINAL LOCK LEVER
- 3 CABLE IS SUPPLIED WITH DVD/VCR WITH 1JM FEATURE.
- 2 CABLE ROUTED IN ROOF.
- 1 CONNECTED TO THE REAR SIDE OF SATELLITE PREP PLATE, CONNECTION LABELED 'TO SATELLITE RECEIVER OUTPUT.'



FOR ELECTRICAL TORQUE SPECIFICATIONS SEE DWG NO. 128783-01-000

FOR ELECTRICAL CALLOUTS SEE DWG NO. 121339-01-000

- 42E TV-27" COLOR, STEREO W/REMOTE
- 42N TV(FRONT)-27" COLOR STEREO
- 78K SATELLITE DISH-AUTOMATIC
- 48R SAT SYS IN-MOTION W/O RCVR
- 25F DIGITAL VIDEO DISC PLAYER
- 1JM HOME THEATER SOUND SYSTEM
- 1JF HOME THEATER SYS-WITHOUT
- 265 CODES/STANDARDS-CSA/CMVSS
- 1B1 CODES/STANDARDS USA

FIRST USED

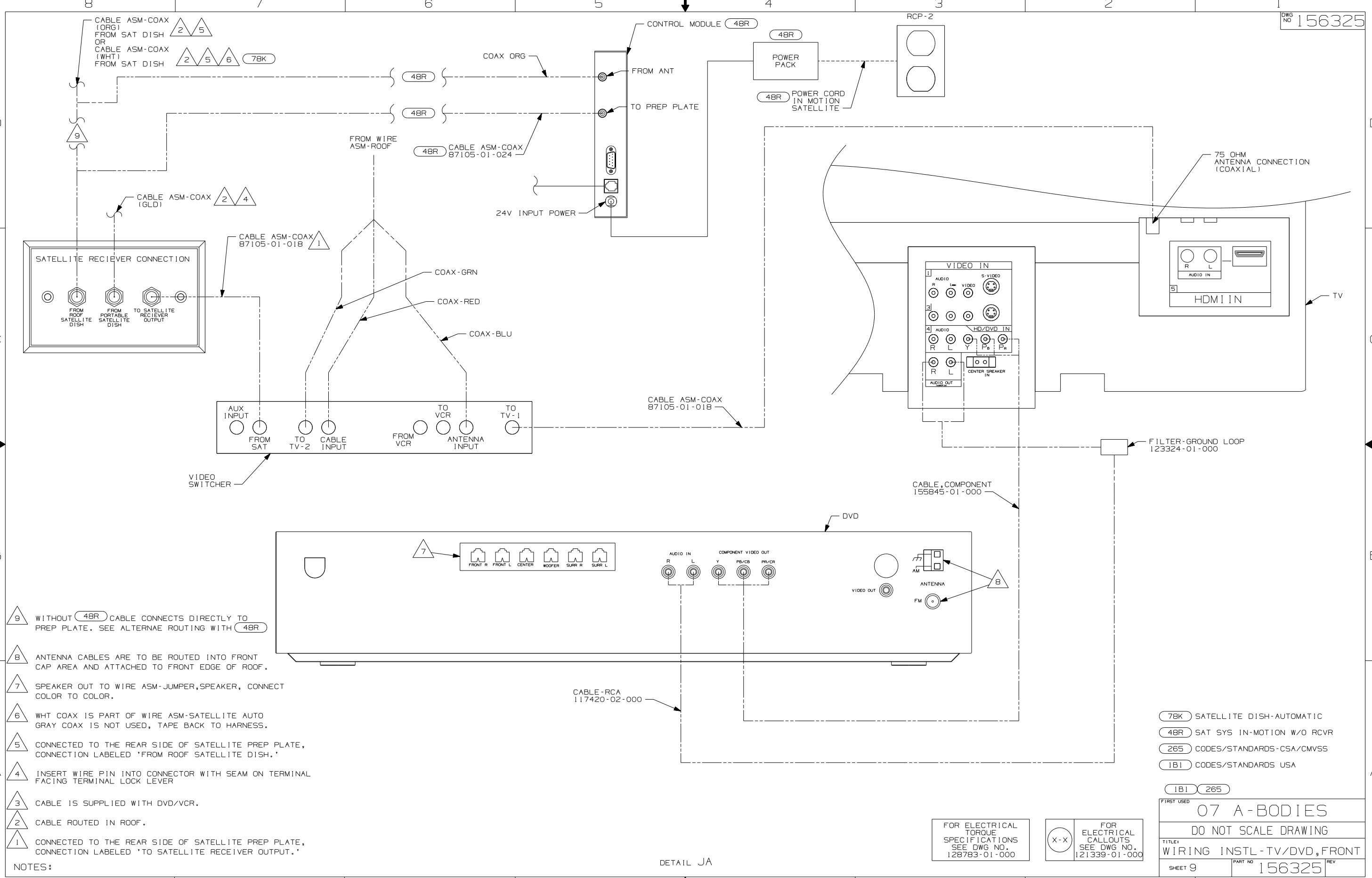
**07 A-BODIES**

DO NOT SCALE DRAWING

TITLE: WIRING INSTL-TV/DVD, FRONT

SHEET 8 PART NO 156325 REV

1 2/7/2007



- NOTES:
- 9 WITHOUT 48R CABLE CONNECTS DIRECTLY TO PREP PLATE. SEE ALTERNAE ROUTING WITH 48R
  - 8 ANTENNA CABLES ARE TO BE ROUTED INTO FRONT CAP AREA AND ATTACHED TO FRONT EDGE OF ROOF.
  - 7 SPEAKER OUT TO WIRE ASM-JUMPER, SPEAKER, CONNECT COLOR TO COLOR.
  - 6 WHT COAX IS PART OF WIRE ASM-SATELLITE AUTO GRAY COAX IS NOT USED, TAPE BACK TO HARNESS.
  - 5 CONNECTED TO THE REAR SIDE OF SATELLITE PREP PLATE, CONNECTION LABELED 'FROM ROOF SATELLITE DISH.'
  - 4 INSERT WIRE PIN INTO CONNECTOR WITH SEAM ON TERMINAL FACING TERMINAL LOCK LEVER
  - 3 CABLE IS SUPPLIED WITH DVD/VCR.
  - 2 CABLE ROUTED IN ROOF.
  - 1 CONNECTED TO THE REAR SIDE OF SATELLITE PREP PLATE, CONNECTION LABELED 'TO SATELLITE RECEIVER OUTPUT.'

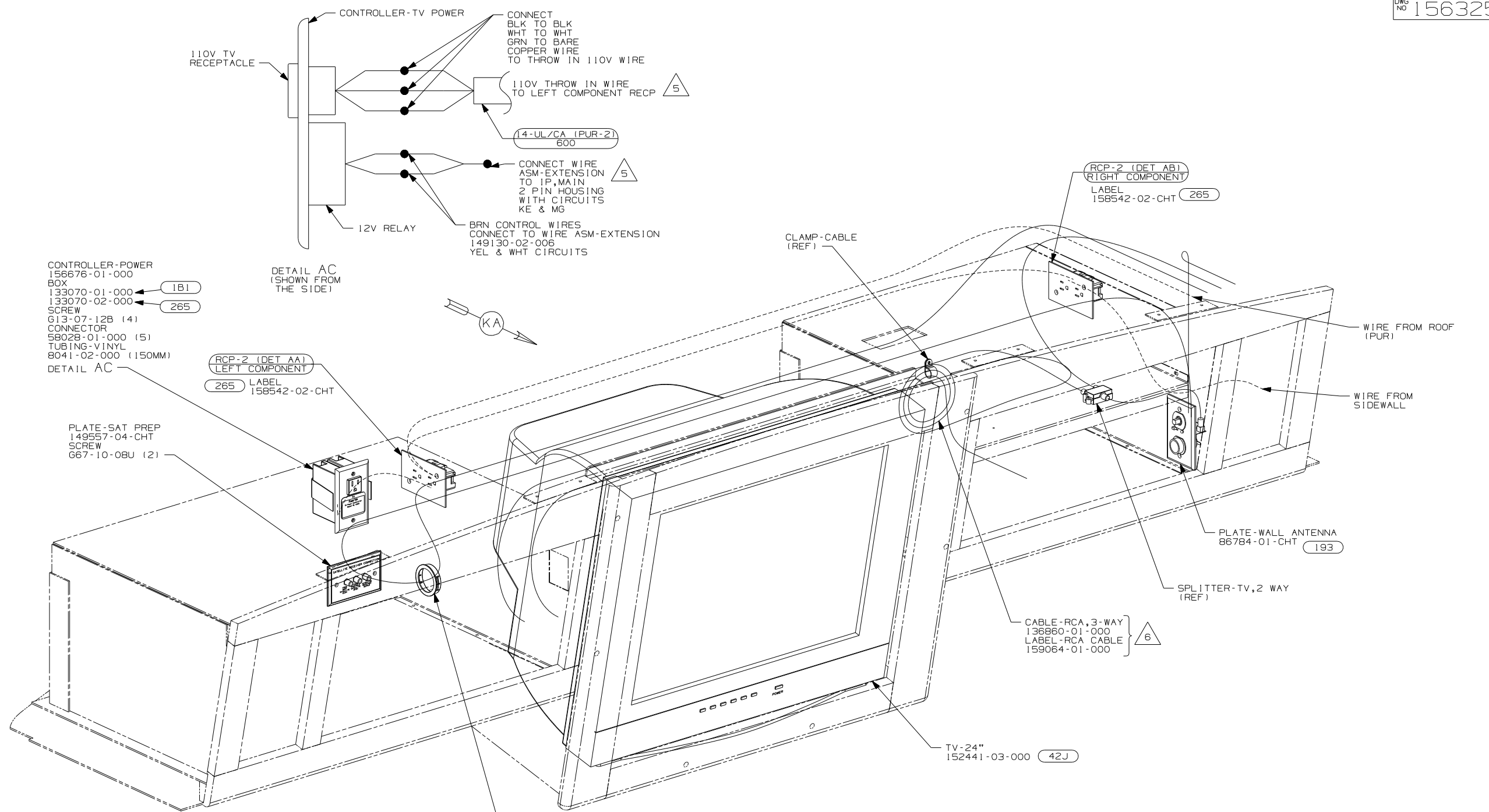
- 7BK SATELLITE DISH-AUTOMATIC
- 48R SAT SYS IN-MOTION W/O RCVR
- 265 CODES/STANDARDS-CSA/CMVSS
- 1B1 CODES/STANDARDS USA

FIRST USED	
07 A-BODIES	
DO NOT SCALE DRAWING	
TITLE:	
WIRING INSTL-TV/DVD,FRONT	
SHEET 9	PART NO 156325 REV

FOR ELECTRICAL TORQUE SPECIFICATIONS SEE DWG NO. 128783-01-000

FOR ELECTRICAL CALLOUTS SEE DWG NO. 121339-01-000

DETAIL JA



- CONTROLLER-POWER  
156676-01-000
- BOX
- 133070-01-000
- 133070-02-000
- SCREW
- 613-07-12B (4)
- CONNECTOR
- 58028-01-000 (5)
- TUBING-VINYL
- 8041-02-000 (150MM)

DETAIL AC  
(SHOWN FROM THE SIDE)

PLATE-SAT PREP  
149557-04-CHT  
SCREW  
G67-10-08U (2)

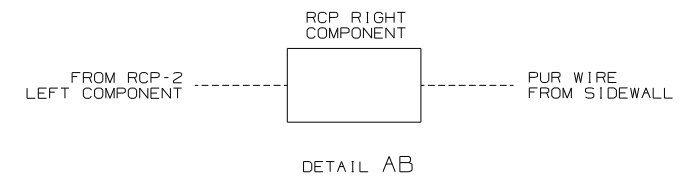
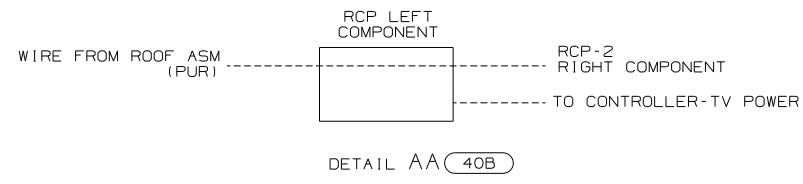
RCP-2 (DET AA)  
LEFT COMPONENT  
265 LABEL  
158542-02-CHT

CABLE-RCA, 3-WAY  
136860-01-000  
LABEL-RCA CABLE  
159064-01-000

TV-24"  
152441-03-000

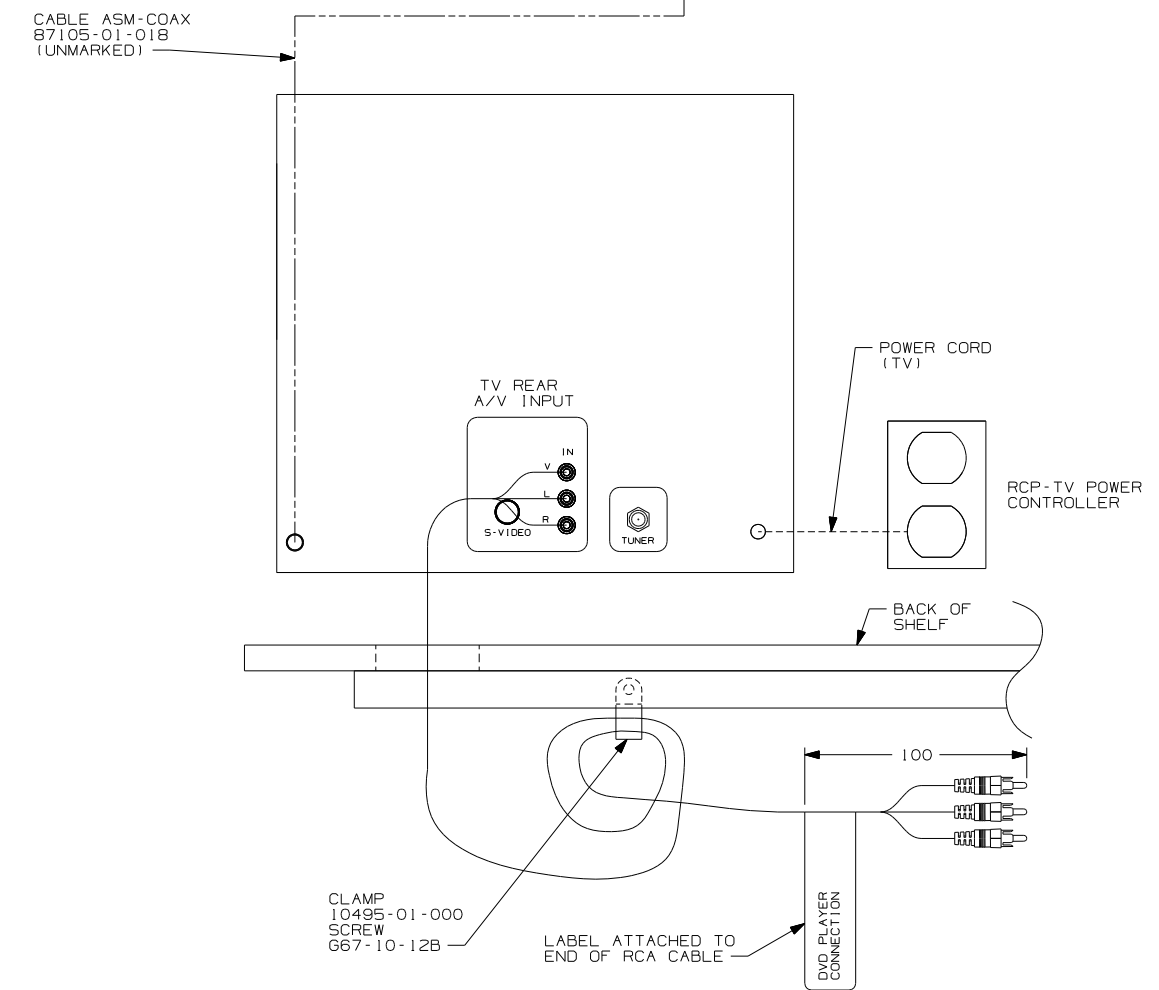
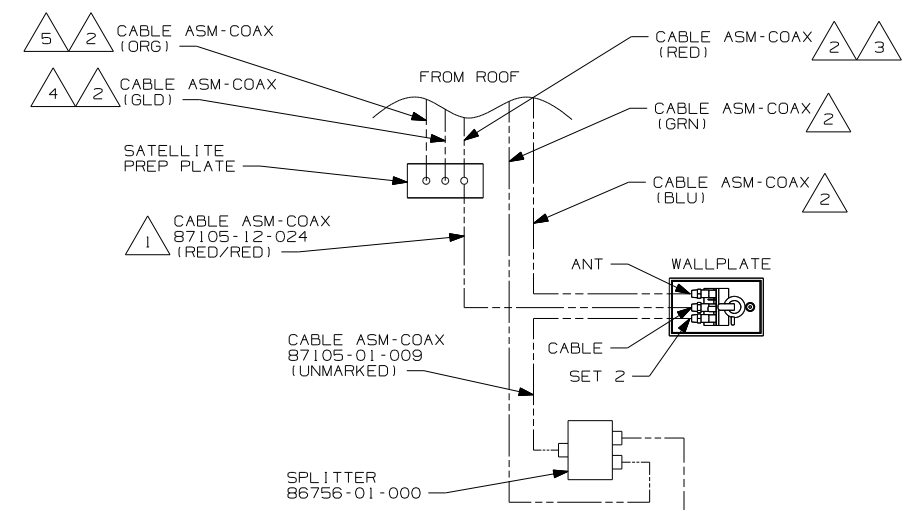
GROMMET-EDGELINER  
114208-05-000

- 6. CONNECT RCA CABLE TO A/V1 ON BEDROOM TV AND INSTALL LABEL ON END OF RCA CABLE. ROUTE CABLE TO SHELF BELOW TV AND COIL FOR USE.
- 5. ROUTE 110V AND 12V WIRES IN OPPOSITE ENDS OF ELECTRICAL BOX.
- 4. SLIDE INVERTER AND VIDEO SWITCH INTO RAILS PROVIDED ON SHELF ASM.
- 3. WHERE WIRES PASS THROUGH HOLES IN STEEL AND NOT OTHERWISE PROTECTED, USE GROMMET 92908-02-000.
- 2. ALL WIRES TO BE SECURED WITH CLAMP 10495-01-000 OR CLIP 80734-01-000 EVERY 600MM. USE SCREW G67-10-12B UNLESS OTHERWISE SPECIFIED.
- 1. 110V WIRE TO BE CLAMPED WITH CLAMP 10497-05-000 WITHIN 200MM OF OUTLET BOXES, USE SCREW G67-10-12B.



- 42J TV-24" COLOR, STEREO W/REMOTE
- 193 TV ANTENNA-AMPLIFIED SYSTEM
- 265 CODES/STANDARDS-CSA/CMVSS
- 1B1 CODES/STANDARDS-USA

FIRST USED		07 E-SERIES	
07 A-BODIES			
DO NOT SCALE DRAWING			
TITLE: WIRING INSTL-TV/DVD, FRONT			
SHEET 10	PART NO	156325	REV



- 5 CONNECTED TO THE REAR SIDE OF SATELLITE PREP PLATE, CONNECTION LABELED 'FROM ROOF SATELLITE DISH.'
- 4 CONNECTED TO THE REAR SIDE OF SATELLITE PREP PLATE, CONNECTION LABELED 'FROM PORTABLE SATELLITE DISH.'
- 3 CONNECTED TO THE FRONT SIDE OF SATELLITE PREP PLATE, CONNECTION LABELED 'TO SATELLITE RECEIVER OUTPUT.'
- 2 CABLE ROUTED IN ROOF.
- 1 CONNECTED TO THE REAR SIDE OF SATELLITE PREP PLATE, CONNECTION LABELED 'TO SATELLITE RECEIVER OUTPUT.'

NOTES:

DETAIL KA

FOR ELECTRICAL TORQUE SPECIFICATIONS SEE DWG NO. 128783-01-000

X-X FOR ELECTRICAL CALLOUTS SEE DWG NO. 121339-01-000

265	CODES/STANDARDS-CSA/CMVSS
1B1	CODES/STANDARDS USA
1B1 265	E-SERIES
FIRST USED	
07 A-BODIES	
DO NOT SCALE DRAWING	
TITLE:	
WIRING INSTL-TV/DVD,FRONT	
SHEET 11	PART NO 156325 REV
1 2/7/2007	

TERMINALS

SPLICES

HOUSINGS AND TERMINALS

NO.	PART NUMBER	DESCRIPTION
B-1	50003-01	TERMINAL-PIN, 16-14 GA, .156 DIA
B-2	50004-01	TERMINAL-RECP, 16-14 GA, .156 DIA
B-11	50003-02	TERMINAL-PIN, 16-14 GA, .180 DIA
B-12	50004-02	TERMINAL-RECP, 16-14 GA, .180 DIA
WP-1	106950-01	TERMINAL-PIN, 16-14 GA
WP-2	106950-02	TERMINAL-PIN, 10-12 GA
WP-3	106950-03	TERMINAL-PIN, 8 GA
R-1	35416-01	TERMINAL-RING, #10 STD, 8 GA
R-2	35416-02	TERMINAL-RING, #10 STD, 6 GA
R-3	35416-03	TERMINAL-RING, #10 STD, 10-12 GA
R-4	35416-04	TERMINAL-RING, #10 STD, 14-16 GA
R-5	37018-01	TERMINAL-RING, 5/16 STD, 12-10 GA
R-6	102777-01	TERMINAL-RING, #6 STD, 14-16 GA
R-7	102777-02	TERMINAL-RING, #6 STD, 10-12 GA
R-8	102777-03	TERMINAL-RING, #6 STD, 8 GA
R-9	33787-01	TERMINAL-RING, #10 STD, 14 GA
R-60	8325-01	TERMINAL-RING, 1/4 STD, 14-16 GA
R-61	8326-01	TERMINAL-RING, 3/8 STD, 14-16 GA
R-62	8327-01	TERMINAL-RING, #10 STD, 14-16 GA
R-63	8328-01	TERMINAL-RING, #10 STD, 10-12 GA
R-64	8328-02	TERMINAL-RING, 3/8 STD, 10-12 GA
R-65	8329-01	TERMINAL-RING, 3/8 STD, 8 GA
R-66	8331-01	TERMINAL-RING, 3/8 STD, 4 GA
R-67	8332-01	TERMINAL-RING, 1/4 STD, 6 GA
R-68	8332-02	TERMINAL-RING, 1/4 STD, 10 GA
R-69	8350-01	TERMINAL-RING, 3/8 STD, 6 GA
R-70	99275-02	TERMINAL-RING, 7/16 STD, 8 GA
R-71	101397-01	TERMINAL-RING, #10 STD, 14-16 GA
R-91	88791-01	TERMINAL-RING, 3/8, 90°, 1/0 GA
R-92	88791-02	TERMINAL-RING, 3/8, 90°, 2 GA
R-93	8348-01	TERMINAL-RING, 3/8 STD, 2 GA
R-94	99275-01	TERMINAL-RING, 7/16 STD, 1/0 GA
RF-51	7944-01	TERMINAL-SPADE, 12-10 GA, #8 STUD
RF-52	7945-01	TERMINAL-SPADE, 18-14 GA, #8 STUD
TR-1	47443-01	TERMINAL-RECP, 16-14 GA, .25, INS
TR-2	47443-02	TERMINAL-RECP, 12-10 GA, .25, INS
TR-3	47443-05	TERMINAL-RECP, 22-18 GA, .25, INS
TR-11	47443-03	TERMINAL-RECP, 16-14 GA, .19, INS
TR-12	47443-04	TERMINAL-RECP, 16-14 GA, .11, INS
TR-21	80015-01	TERMINAL-RECP, 22-18 GA, .250, 90 DEG FOR USE WITH TAB THICKNESS .032
TR-22	80015-02	TERMINAL-RECP, 16-14 GA, .187, 90 DEG FOR USE WITH TAB THICKNESS .032
TR-23	80015-03	TERMINAL-RECP, 16-14 GA, .250, 90 DEG FOR USE WITH TAB THICKNESS .032
TR-24	80015-04	TERMINAL-RECP, 16-14 GA, .187, 90 DEG FOR USE WITH TAB THICKNESS .020
TR-51	7940-01	TERMINAL-RECP, 16-12 GA, .25, UNINS
TR-52	23809-01	TERMINAL-RECP, 16-14 GA, .19, UNINS
TR-53	23809-02	TERMINAL-RECP, 18-20 GA, .25, UNINS
TR-54	49270-01	TERMINAL-RECP, 18-20 GA, .19, UNINS
TR-55	7940-02	TERMINAL-RECP, 10 GA, .25, UNINS
TT-1	85745-02	TERMINAL-TAB, 16-14 GA, .25, INS
TT-2	85745-03	TERMINAL-TAB, 10-12 GA, .25, INS
TT-11	85745-04	TERMINAL-TAB, 18-22 GA, .19, INS
TT-51	7942-01	TERMINAL-TAB, 16-14 GA, .25, UNINS
TT-52	7943-01	TERMINAL-TAB, 14-10 GA, .25, UNINS
MF6-1	129236-01	TERMINAL-FEM, M/P, 630, 10-12
MF6-2	129236-02	TERMINAL-FEM, M/P, 630, 14-16

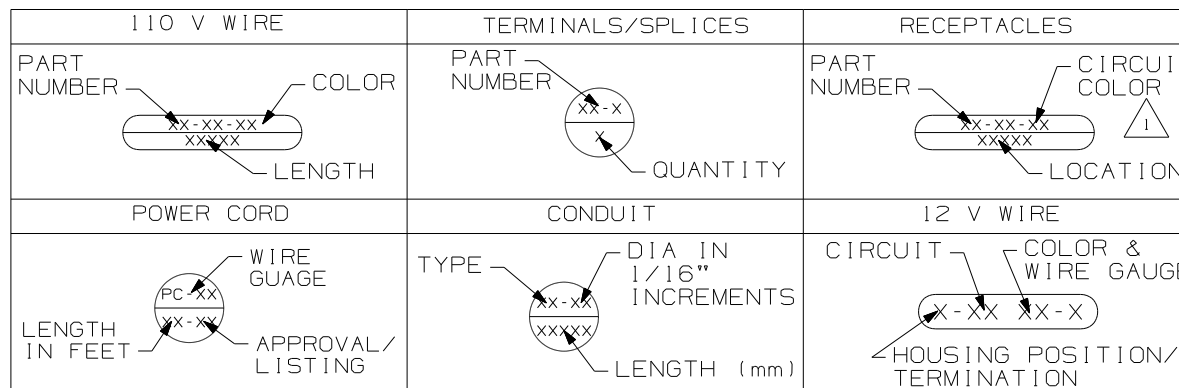
NO.	PART NUMBER	DESCRIPTION
BS-1	31876-01	SPLICE-BUTT, 16-14 GA, BLUE
BS-2	31876-02	SPLICE-BUTT, 12-10 GA, YELLOW
BS-3	31876-03	SPLICE-BUTT, 22-18 GA, RED
BS-SB	100070-01	SPLICE-BUTT, 14-16 GA, SHRINK, BLUE
BS-RB	112823-01	SPLICE-BUTT, 14-22 GA, REDUCER
S-1	7946-01	SPLICE, 1-6 MM <sup>2</sup>
S-2	23808-01	SPLICE, 6-9 MM <sup>2</sup>
1-2	7956-02	SHRINK WRAP .375 DIA
1-5	7956-05	SHRINK WRAP .25 DIA
SH-1	58028-01	SPLICE-HAT
S-10	101173-01	SPLICE-BARREL, 26300 CMA

NO.	PART NUMBER	DESCRIPTION
SP-1	90986-02	PLUG ASM-ELECTRIC STEP
SP-2	142524-01-000 098261-01-000 098262-07-000 098261-02-000 (3) 098262-01-000 (3)	HOUSING-4 PIN SOCKET-CONNECTOR SEAL-CONNECTOR SOCKET-CONNECTOR SEAL-CONNECTOR
HR-1	63910-01	HOUSING-RELAY
MP-8	125323-02	HOUSING-PIN, 8 CAVITY
MP-10	125323-01	HOUSING-PIN, 10 CAVITY
MPP	125324-01	TERMINAL-MALE, M/P, 150
CAV-1	125325-01	SEAL-CAVITY, 150-SERIES M/P
CON-3	98262-03	SEAL-CONNECTOR
LS-8	125323-03	LOCK-SECONDARY 8 POSITION
LS-10	125323-04	LOCK-SECONDARY 10 POSITION
H-8	108355-01	HOUSING-SWITCH, 8 POSITION
H-12	108355-02	HOUSING-SWITCH, 12 POSITION

NO.	PART NUMBER	DESCRIPTION
GEN-1	125323-02-000 125324-01-000 (4) 098262-03-000 (4) 125325-01-000 (4) 125323-03-000	HOUSING-8 POSN, MALE, 150 SERIES TERMINAL-MALE, M/P, 150 SEAL-CONNECTOR SEAL-CAVITY, 150 SERIES M/P LOCK-SECONDARY 8 POSITION
GEN-2	125323-01-000 125324-01-000 (5) 098262-03-000 (5) 125325-01-000 (5) 125323-04-000	HOUSING-10 POSN, MALE, 150 SERIES TERMINAL-MALE, M/P, 150 SEAL-CONNECTOR SEAL-CAVITY, 150 SERIES M/P LOCK-SECONDARY 10 POSITION

NO.	PART NUMBER	DESCRIPTION
HS-2	88474-10	HOUSING-SOCKET, 2 CAVITY
HS-3	88474-09	HOUSING-SOCKET, 3 CAVITY
HS-4	88474-08	HOUSING-SOCKET, 4 CAVITY
HS-5	88474-07	HOUSING-SOCKET, 5 CAVITY
HS-6	88474-06	HOUSING-SOCKET, 6 CAVITY
HS-7	88474-05	HOUSING-SOCKET, 6 CAVITY-IN LINE
HS-9	88474-03	HOUSING-SOCKET, 9 CAVITY
HS-12	88474-01	HOUSING-SOCKET, 12 CAVITY
HS-15	88474-02	HOUSING-SOCKET, 15 CAVITY
HS-2-R	88474-12	HOUSING-SOCKET, 2 CAVITY-RED
HP-2	88473-10	HOUSING-PIN, 2 CAVITY
HP-3	88473-09	HOUSING-PIN, 3 CAVITY
HP-4	88473-08	HOUSING-PIN, 4 CAVITY
HP-5	88473-07	HOUSING-PIN, 5 CAVITY
HP-6	88473-06	HOUSING-PIN, 6 CAVITY
HP-7	88473-05	HOUSING-PIN, 6 CAVITY-IN LINE
HP-8	88473-04	HOUSING-PIN, 8 CAVITY-IN LINE
HP-9	88473-03	HOUSING-PIN, 9 CAVITY
HP-12	88473-01	HOUSING-PIN, 12 CAVITY
HP-15	88473-02	HOUSING-PIN, 15 CAVITY
HP-2-R	88473-15	HOUSING-PIN, 2 CAVITY-RED
HP-3-B	88473-12	HOUSING-PIN, 3 CAVITY-BLUE
HP-3-G	88473-13	HOUSING-PIN, 3 CAVITY-GREEN
HP-3-R	88473-14	HOUSING-PIN, 3 CAVITY-RED
TS-1	88476-01	SOCKET-CONNECTOR, 20-14 GA
TS-2	88476-02	SOCKET-CONNECTOR, 12-10 GA
TP-1	88475-01	PIN-CONNECTOR, 20-14 GA
TP-2	88475-02	PIN-CONNECTOR, 12-10 GA
HS2HA	137208-01	HOUSING-SOCKET, 2 CAVITY-HIGH AMP
HP2HA	137207-01	HOUSING-PIN, 2 CAVITY-HIGH AMP
TS-HA	137210-01	SOCKET-CONNECTOR, 10AWG HIGH AMP
TP-HA	137209-01	PIN-CONNECTOR, 10AWG HIGH AMP
H-HA	104100-01	HOUSING, 1 CAVITY 75 AMP
T-HA	104100-03	TERMINAL 10 AWG - 6 AWG 75 AMP

BALLOON CALLOUT LEGEND



**WINNEBAGO** COPYRIGHT 2006 WINNEBAGO INDUSTRIES, INC.

ALL DIMENSIONS ARE IN MILLIMETERS

FIRST USED 96 MH'S

UNSPECIFIED TOLERANCES ARE: MATERIAL:

WHOLE DIM (X) :  
ONE-PLACE (X.X) :  
TWO-PLACE (X.XX) :  
ANGLE :

THIRD ANGLE PROJECTION

DO NOT SCALE DRAWING

TITLE: PART LISTING-ELECTRICAL

SHEET 1 OF 7 PART NO 121339 REV

1 FOR RECP-BLANK, DET-X DENOTES DETAIL VIEW. 2 CONTACT WIRE PREP PRIOR TO USING FOR TOOLING PURPOSES.

WIRE-SINGLE INS CONDUCTOR, STRANDED

NO.	PART NUMBER	DESCRIPTION
18-W 18-Y	156658-01 156658-02	WIRE, 18 GA. WHITE, PVC WIRE, 18 GA. YELLOW, PVC
16-Y 16-W	89360-01 89360-02	WIRE, 16 GA. YELLOW, PVC WIRE, 16 GA. WHITE, PVC
14-Y 14-W	48554-02 48554-04	WIRE, 14 GA. YELLOW, PVC WIRE, 14 GA. WHITE, PVC
12-Y 12-W	48555-02 48555-04	WIRE, 12 GA. YELLOW, PVC WIRE, 12 GA. WHITE, PVC
10-Y 10-W	8000-03 8000-05	WIRE, 10 GA. YELLOW, PVC WIRE, 10 GA. WHITE, PVC
8-B 8-G	8005-01 8005-03	WIRE, 8 GA. BLACK, PVC WIRE, 8 GA. GREEN, PVC
6-B 6-G	70065-01 70065-03	WIRE, 6 GA. BLACK, PVC WIRE, 6 GA. GREEN, PVC
18-WX 18-YX	121015-01 121015-02	WIRE, 18 GA. WHITE, XLPE WIRE, 18 GA. YELLOW, XLPE
16-YX 16-WX	116675-01 116675-02	WIRE, 16 GA. YELLOW, XLPE WIRE, 16 GA. WHITE, XLPE
14-YX 14-WX	98586-01 98586-02	WIRE, 14 GA. YELLOW, XLPE WIRE, 14 GA. WHITE, XLPE
12-YX 12-WX	98609-01 98609-02	WIRE, 12 GA. YELLOW, XLPE WIRE, 12 GA. WHITE, XLPE
10-YX 10-WX	116676-03 116676-04	WIRE, 10 GA. YELLOW, XLPE WIRE, 10 GA. WHITE, XLPE
8-BX 8-GX	116674-01 116674-02	WIRE, 8 GA. BLACK, XLPE WIRE, 8 GA. GREEN, XLPE
6-BX 6-GX	116687-01 116687-02	WIRE, 6 GA. BLACK, XLPE WIRE, 6 GA. GREEN, XLPE

RECEPTACLES

NO.	PART NUMBER	DESCRIPTION
RCP-1	86738-02-CHT	RECEPTACLE-SINGLE, FLUSH MOUNT
RCP-2	86738-01-CHT	RECEPTACLE-DOUBLE, FLUSH MOUNT
RCP-3	58707-01-000	RECEPTACLE-SINGLE, SURFACE MOUNT
RCP-4	157360-01-000	RECEPTACLE-SINGLE, SURFACE MOUNT, 20A
RCP-5	160984-01-CHT	RECEPTACLE-SINGLE, FLUSH MOUNT, 20A
RCP-B	58707-02-000	RECEPTACLE-BLANK, JUNCTION
RCP-E	131826-01-CHT	INCLUDES COVER & GASKET

WIRE-NM SHEATHED CABLE

NO.	PART NUMBER	DESCRIPTION
14 UL	8027-01-000	WIRE 14-2 ROMEX W/GROUND (UL)
14 CA	8023-02-000	WIRE 14-2 ROMEX W/GROUND (CAN)
12 UL	8026-01-000	WIRE 12-2 ROMEX W/GROUND (UL)
12 CA	8023-01-000	WIRE 12-2 ROMEX W/GROUND (CAN)
12-3 UL	8026-03-000	WIRE 12-3 ROMEX W/GROUND (UL)
12-3 CA	8023-03-000	WIRE 12-3 ROMEX W/GROUND (CAN)
10 UL	8022-01-000	WIRE 10-2 ROMEX W/GROUND (UL)
10 CA	24743-01-000	WIRE 10-2 ROMEX W/GROUND (CAN)
6-3 UL	108914-01-000	WIRE 6-3 ROMEX W/GROUND (UL)
6-3 CA	113136-01-000	WIRE 6-3 ROMEX W/GROUND (CAN)
6-2 UL	108914-02-000	WIRE 6-2 ROMEX W/GROUND (UL)
4-3 UL	128375-01-000	WIRE 4-3 ROMEX W/GROUND (UL)
4-3 CA	128375-01-000	WIRE 4-3 ROMEX W/GROUND (CAN)

POWER CORDS

NO.	PART NUMBER	DESCRIPTION
PC-10 28	8054-01-000	POWER CORD 10 GA, 30 AMP, 28 FT. (UL/CA)
PC-10 35	8054-02-000	POWER CORD 10 GA, 30 AMP, 35 FT. (UL/CA)
PC-10 30-CA	8052-01-000	SUPERCEDED BY 8054-01-000
PC-6 36	108934-01-000	POWER CORD 6 GA, 50 AMP, 36 FT. (UL/CA)
PC-6 36-FX	108934-02-000	POWER CORD 6 GA, 50 AMP, 36 FT. (UL/CSA) SUPERFLEX
PC-6 36-CA	113096-01-000	SUPERCEDED BY 108934-02-000

CIRCUIT COLOR LEGEND

110V CIRCUIT	WIRE COLOR	COAXIAL CIRCUIT
A/C CIRCUIT 1	RED	CABLE INPUT W/O SPLITTER
A/C CIRCUIT 2	GRN	REAR TV W/O SPLITTER
GENERAL RECPS 1	BLU	ANTENNA
GENERAL RECPS 2	BRN	FRONT TV
GENERAL RECPS 3	PUR	VCR INPUT
GENERAL RECPS 4	GRY	
REFRIGERATOR/ CONVERTER	YEL	EXT ENT CTR
MICROWAVE	BLK	AUX INPUT
WATER HEATER	WHT	
WASHER/DRYER	GLD	
DISHWASHER	SIL	
	ORG	SATELLITE PLATE INPUT
	ORG/ORG	SATELLITE PLATE OUTPUT
	RED/RED	CABLE INPUT W/SPLITTER
	GRN/GRN	REAR TV W/SPLITTER
	PUR/PUR	VCR OUTPUT

CONDUIT


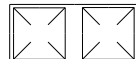
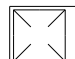
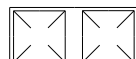
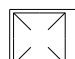

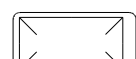
NO.	PART NUMBER	DESCRIPTION	TEMP.
C-4	41953-07-000	CONDUIT-CONVOLUTE, SLIT .25" ID	194° F
C-6	41953-06-000	CONDUIT-CONVOLUTE, SLIT .38" ID	194° F
C-8	41953-01-000	CONDUIT-CONVOLUTE, SLIT .50" ID	194° F
C-10	41953-02-000	CONDUIT-CONVOLUTE, SLIT .63" ID	194° F
C-16	41953-03-000	CONDUIT-CONVOLUTE, SLIT 1.0" ID	194° F
C-24	41953-08-000	CONDUIT-CONVOLUTE, SLIT 1.5" ID	194° F
C-32	41953-15-000	CONDUIT-CONVOLUTE, SLIT 2.0" ID	194° F
CX-8	41953-09-000	CONDUIT-CONVOLUTE, SLIT .50" ID	239° F
CX-12	41953-10-000	CONDUIT-CONVOLUTE, SLIT .75" ID	239° F
CX-16	41953-11-000	CONDUIT-CONVOLUTE, SLIT 1.0" ID	239° F
CX-20	41953-13-000	CONDUIT-CONVOLUTE, SLIT 1.25" ID	239° F
CX-24	41953-14-000	CONDUIT-CONVOLUTE, SLIT 1.50" ID	239° F
CX-32	41953-16-000	CONDUIT-CONVOLUTE, SLIT 2.0" ID	239° F
CN-10	41953-05-000	CONDUIT-CONVOLUTE, NOT SLIT .63" ID	194° F
CN-16	41953-12-000	CONDUIT-CONVOLUTE, NOT SLIT 1.0" ID	194° F

BATTERY CABLE LEGEND



COLOR	DESCRIPTION
PURPLE	CHASSIS BATTERY TO SOLENOID
BLUE	HYDRAULIC JACKS PUMP
RED	BATTERY TO STARTER
GREEN	BATTERY TO GENERATOR
YELLOW	COACH BATTERY TO SOLENOID

FIRST USED	96 MH'S
TITLE	DO NOT SCALE DRAWING
TITLE	PART LISTING-ELECTRICAL
SHEET 2	PART NO 121339 REV


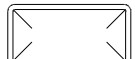

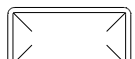

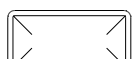
LAMP ASM-PACKAGE, PANCAKE

NO	PART NUMBER	DESCRIPTION
LF1-1	LAMP 98024-01-CHT SCREW G11-08-16U (4) CONNECTOR 58028-01-000 (2)	LAMP ASM, FROSTED LENS, 1 BULB W/SWITCH PROGRESSIVE DYNAMICS INC. 
LF2-1	LAMP 98024-03-CHT SCREW G11-08-16U (6) CONNECTOR 58028-01-000 (2)	LAMP ASM, FROSTED LENS, 2 BULB W/SWITCH PROGRESSIVE DYNAMICS INC. 
LO1-1	LAMP 98024-05-CHT SCREW G11-08-16U (4) CONNECTOR 58028-01-000 (2)	LAMP ASM, OPTI CLEAR LENS, 1 BULB W/SWITCH PROGRESSIVE DYNAMICS INC. 
LO2-1	LAMP 98024-06-CHT SCREW G11-08-16U (6) CONNECTOR 58028-01-000 (2)	LAMP ASM, OPTI CLEAR LENS, 2 BULB W/SWITCH PROGRESSIVE DYNAMICS INC. 
LF1N1	LAMP 98024-07-CHT SCREW G11-08-16U (4) CONNECTOR 58028-01-000 (2)	LAMP ASM, FROSTED LENS, 1 BULB W/O SWITCH PROGRESSIVE DYNAMICS INC. 
LF2N1	LAMP 98024-08-CHT SCREW G11-08-16U (6) CONNECTOR 58028-01-000 (2)	LAMP ASM, FROSTED LENS, 2 BULB W/O SWITCH PROGRESSIVE DYNAMICS INC. 
LFSN1	LAMP 98024-09-CHT SCREW G11-08-16U (6) CONNECTOR 58028-01-000 (2)	LAMP ASM, SINGLE FROSTED LENS, 2 BULB W/O SWITCH PROGRESSIVE DYNAMICS INC. 

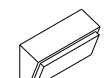


LAMP ASM-PACKAGE, HALOGEN

NO	PART NUMBER	DESCRIPTION
HAL	LAMP 123775-01-CHT SCREW (SUPPLIED) CONNECTOR 58028-01-000 (2)	LAMP ASM-HALOGEN, READING 1 BULB 
HAL-S	LAMP 123775-01-CHT SPACER 123775-02-CHT SCREW G13-06-16U (3) CONNECTOR 58028-01-000 (2)	LAMP ASM-HALOGEN, READING WITH 3/4" SPACER 1 BULB 

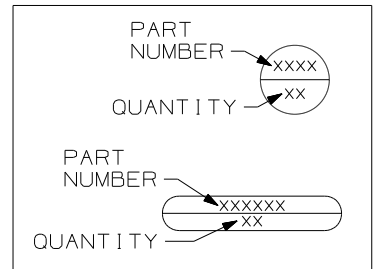
LAMP ASM-PACKAGE, PANCAKE

NO	PART NUMBER	DESCRIPTION
LF1-2	LAMP 137417-01-CHT SCREW G11-08-16U (4) CONNECTOR 58028-01-000 (2)	LAMP ASM, FROSTED LENS, 1 BULB W/SWITCH PROGRESSIVE DYNAMICS INC. 
LF2-2	LAMP 137417-04-CHT SCREW G11-08-16U (6) CONNECTOR 58028-01-000 (2)	LAMP ASM, FROSTED LENS, 2 BULB W/SWITCH PROGRESSIVE DYNAMICS INC. 
LO1-2	LAMP 137417-02-CHT SCREW G11-08-16U (4) CONNECTOR 58028-01-000 (2)	LAMP ASM, OPTI CLEAR LENS, 1 BULB W/SWITCH PROGRESSIVE DYNAMICS INC. 
LO2-2	LAMP 137417-05-CHT SCREW G11-08-16U (6) CONNECTOR 58028-01-000 (2)	LAMP ASM, OPTI CLEAR LENS, 2 BULB W/SWITCH PROGRESSIVE DYNAMICS INC. 
LF1N2	LAMP 137417-03-CHT SCREW G11-08-16U (4) CONNECTOR 58028-01-000 (2)	LAMP ASM, FROSTED LENS, 1 BULB W/O SWITCH PROGRESSIVE DYNAMICS INC. 
LFSN2	LAMP 137417-06-CHT SCREW G11-08-16U (6) CONNECTOR 58028-01-000 (2)	LAMP ASM, SINGLE FROSTED LENS, 2 BULB W/O SWITCH PROGRESSIVE DYNAMICS INC. 

LAMP ASM-PACKAGE, PORCH

NO	PART NUMBER	DESCRIPTION
LEXT-1	LAMP 97917-01-CHT SCREW G67-10-129 (4) CONNECTOR 58028-01-000 (2)	LAMP ASM-PORCH, SURFACE MOUNT BARGMAN 
LEXT-2UL	LAMP 8089-01-000 SCREW G68-06-10E (2) CONNECTOR 58028-01-000 (2)	LAMP ASM-PORCH, RECESSED UL LIST JRV PROD 
LEXT-2CA	LAMP 8089-02-000 SCREW G68-06-10E (2) CONNECTOR 58028-01-000 (2)	LAMP ASM-PORCH, RECESSED CAN LIST JRV PROD 

LEGEND

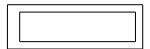
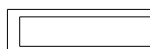

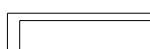
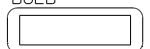

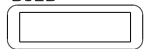
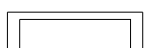

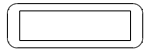


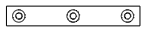

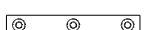
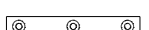
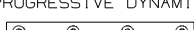

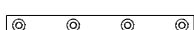

FIRST USED	96 MH'S
TITLE	DO NOT SCALE DRAWING
TITLE	PART LISTING-ELECTRICAL
SHEET 3	PART NO 121339 REV




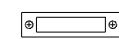
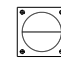
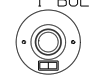

LAMP ASM-PACKAGE, FLUORESCENT

LAMP ASM-PACKAGE, MAKEUP LAMP

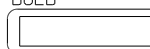

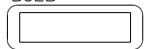
LAMP ASM-PACKAGE, OTHER

NO	PART NUMBER	DESCRIPTION
FLU-1	LAMP 91936-02-CHT SCREW G11-08-12U (4) CONNECTOR 58028-01-000 (2)	LAMP ASM-FLUORESCENT 12" 2 BULB W/SWITCH THIN-LITE 
FLU-2	LAMP 91936-01-CHT SCREW G11-08-12U (4) CONNECTOR 58028-01-000 (2)	LAMP ASM-FLUORESCENT 18" 2 BULB W/SWITCH THIN-LITE 
FLU-3	LAMP 127327-01-CHT SCREW G11-08-12U (2) CONNECTOR 58028-01-000 (2)	LAMP ASM-FLUORESCENT 18" 1-12" BULB W/SWITCH THIN-LITE 
FLU-4	LAMP 130338-01-CHT SCREW G11-08-12U (4) CONNECTOR 58028-01-000 (2)	LAMP ASM-FLUORESCENT 18" 2 BULB SURFACE MOUNT W/SWITCH THIN-LITE 
FLU-5	LAMP 153464-02-CHT SCREW G11-08-12U (4) CONNECTOR 58028-01-000 (2)	LAMP ASM-FLUORESCENT 12" 2 BULB W/SWITCH COOL WHITE BULB THIN-LITE  CUTOUT-122 X 336
FLU-6	LAMP 130338-02-CHT SCREW G11-08-12U (4) CONNECTOR 58028-01-000 (2)	LAMP ASM-FLUORESCENT 18" 2 BULB SURFACE MOUNT WARM WHITE BULB W/SWITCH THIN-LITE 
FLU-7	LAMP 153464-05-CHT SCREW G11-08-12U (4) CONNECTOR 58028-01-000 (2)	LAMP ASM-FLUORESCENT 12" 2 BULB W/SWITCH WARM WHITE BULB THIN-LITE  CUTOUT-122 X 336
FLUN1	LAMP 91936-04-CHT SCREW G11-08-12U (4) CONNECTOR 58028-01-000 (2)	LAMP ASM-FLUORESCENT 12" 2 BULB W/O SWITCH THIN-LITE 
FLUN2	LAMP 91936-03-CHT SCREW G11-08-12U (4) CONNECTOR 58028-01-000 (2)	LAMP ASM-FLUORESCENT 18" 2 BULB W/O SWITCH THIN-LITE 
FLUN3	LAMP 153464-01-CHT SCREW G11-08-12U (4) CONNECTOR 58028-01-000 (2)	LAMP ASM-FLUORESCENT 12" 2 BULB W/O SWITCH COOL WHITE BULB THIN-LITE  CUTOUT-122 X 336

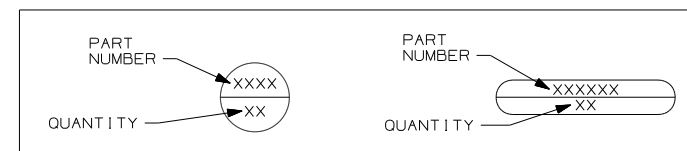
NO	PART NUMBER	DESCRIPTION
LMU3-1	LAMP 110235-01-CHT SCREW W/SPACER (SUPPLIED) CONNECTOR 58028-01-000 (2)	LAMP ASM-MAKEUP (W/O MIRROR) 3 BULB (SUPPLIED) PROGRESSIVE DYNAMICS 
LMM3-2	LAMP 123774-03-CHT SCREW (SUPPLIED) BULB 123918-01-000 (3) CONNECTOR 58028-01-000 (2)	LAMP ASM-MAKEUP (W/MIRROR) 3 BULB GUSTOFSON 
LMU3-2	LAMP 138116-01-CHT SCREW (SUPPLIED) BULB 123918-01-000 (3) CONNECTOR 58028-01-000 (2)	LAMP ASM-MAKEUP (W/O MIRROR) 3 BULB GUSTOFSON 
LMU3-3	LAMP 162446-01-CHT SCREW (SUPPLIED) BULB 123918-01-000 (3) CONNECTOR 58028-01-000 (2)	LAMP ASM-MAKEUP (W/O MIRROR) 3 BULB GUSTOFSON 
LMU4-1	LAMP 110235-02-CHT SCREW G11-08-16U (2) CONNECTOR 58028-01-000 (2)	LAMP ASM-MAKEUP (W/O MIRROR) 4 BULB PROGRESSIVE DYNAMICS 
LMU4-2	LAMP 138116-02-CHT SCREW (SUPPLIED) BULB 123918-01-000 (4) CONNECTOR 58028-01-000 (2)	LAMP ASM-MAKEUP (W/O MIRROR) 4 BULB GUSTOFSON 
LMU4-3	LAMP 162446-02-CHT SCREW (SUPPLIED) BULB 123918-01-000 (4) CONNECTOR 58028-01-000 (2)	LAMP ASM-MAKEUP (W/O MIRROR) 4 BULB GUSTOFSON 
LMM4-2	LAMP 123774-01-CHT SCREW G11-08-16U (2) BULB 123918-01-000 (4) CONNECTOR 58028-01-000 (2)	LAMP ASM-MAKEUP (W/MIRROR) 4 BULB GUSTOFSON 

NO	PART NUMBER	DESCRIPTION
LSH-1	LAMP 121935-01-CHT SCREW G11-08-16U (4) CONNECTOR 58028-01-000 (2)	LAMP ASM-SHOWER PROGRESSIVE DYNAMICS INC. 
LSH-2	LAMP 164039-01-CHT SCREW G11-08-16U (3) CONNECTOR 58028-01-000 (2)	LIGHT-DOME, SHOWER 
LSH-3	LAMP 164040-01-CHT SCREW G13-07-12U (3) CONNECTOR 58028-01-000 (2)	LIGHT-DOME, SHOWER GLASS 
LCR-1	LAMP 61424-01-000 SCREW G11-08-12U (4) CONNECTOR 58028-01-000 (2)	LAMP ASM-COURTESY, AISLE RAMCO (RECTANGULAR) 
LCS-1	LAMP 108354-01-CHT SCREW G11-08-12U (4) CONNECTOR 58028-01-000 (2)	LAMP ASM-COURTESY, AISLE ITC MARINE (SQUARE) 
READ-1	LIGHT-READING 132427-01-CHT SCREW SUPPLIED W/ LIGHT CLIP-U 141395-02-CHT (2) CONNECTOR 58028-01-000 (2)	LIGHT-READING, SWIVEL, ROUND 1 BULB 
READ-2	LIGHT-READING 128786-02-CHT SCREW G11-08-16J (2) BULB 123917-01-000 CONNECTOR 58028-01-000 (2)	LIGHT, READING, SWIVEL 

LAMP ASM-PACKAGE, FLUORESCENT

NO	PART NUMBER	DESCRIPTION
FLUN4	LAMP 153464-03-CHT SCREW G11-08-12U (6) CONNECTOR 58028-01-000 (2)	LAMP ASM-FLUORESCENT 18" 2 BULB W/O SWITCH COOL WHITE BULB THIN-LITE  CUTOUT-122 X 480
FLUN5	LAMP 153464-06-CHT SCREW G11-08-12U (6) CONNECTOR 58028-01-000 (2)	LAMP ASM-FLUORESCENT 18" 2 BULB W/O SWITCH WARM WHITE BULB THIN-LITE  CUTOUT-122 X 480
FLUN6	LAMP 153464-04-CHT SCREW G11-08-12U (6) CONNECTOR 58028-01-000 (2)	LAMP ASM-FLUORESCENT 12" 2 BULB W/O SWITCH WARM WHITE BULB THIN-LITE  CUTOUT-122 X 336

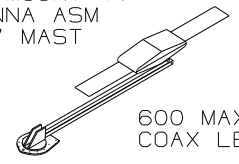
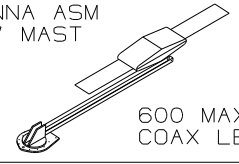
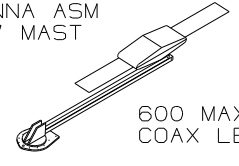
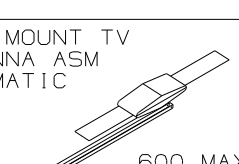
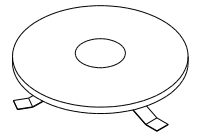
LEGEND



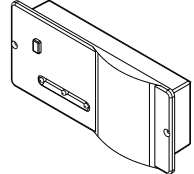
FIRST USED	96 MH'S
DO NOT SCALE DRAWING	
TITLE: PART LISTING-ELECTRICAL	
SHEET 4	PART NO 121339 REV



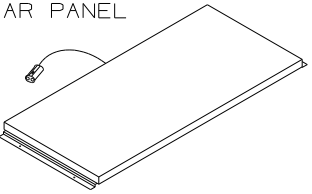
ANTENNA ASM-PACKAGE

NO	PART NUMBER	DESCRIPTION
ANT-1	ANTENNA 76319-24-000 HARDWARE-INTERIOR 76319-25-000 BUMPER 69726-02-000 (2) CLIP 80734-02-000	ROOF MOUNT TV ANTENNA ASM 25.5" MAST  600 MAX COAX LENGTH
ANT-2	ANTENNA 76319-23-000 HARDWARE-INTERIOR 76319-25-000 BUMPER 69726-02-000 (2) ADAPTER SUPPLIED W/ANTENNA	ROOF MOUNT TV ANTENNA ASM 44.5" MAST  600 MAX COAX LENGTH
ANT-2W	ANTENNA 76319-23-000 HARDWARE-INTERIOR 76319-25-000 BUMPER 69726-02-000 (2) ADAPTER SUPPLIED W/ANTENNA WEDGE 76319-26-000	ROOF MOUNT TV ANTENNA ASM 44.5" MAST  600 MAX COAX LENGTH
ANTA-1	ANTENNA 158270-01-CHT BUMPER 69726-02-000 (2) ADAPTER SUPPLIED W/ANTENNA	ROOF MOUNT TV ANTENNA ASM AUTOMATIC  600 MAX COAX LENGTH
ANT-3	ANTENNA-TV ROOF MNT,ROUND 132935-01-000 PLATE-ROOF, CABLE ENTRY 146488-01-000 SCREW G67-10-129 (10) CABLE ASM-COAX 87105-01-006 ADAPTER 82134-01-000	ROOF MOUNT OMNI- DIRECTIONAL ANTENNA MOUNTING SCREWS SUPPLIED WITH ANTENNA 

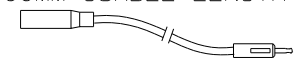
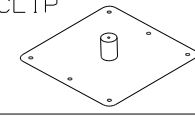

SENSORS

NO	PART NUMBER	DESCRIPTION
LPGD	LP GAS DETECTOR 150138-01-CHT SCREW G68-06-10U (2)	DETECTOR-LP GAS 

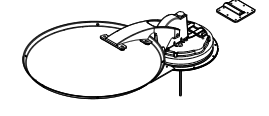
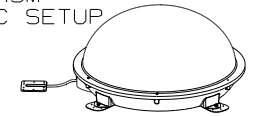
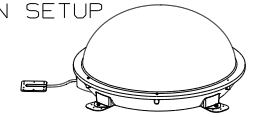
PANELS

NO	PART NUMBER	DESCRIPTION
SOLAR	PANEL-SOLAR 10 WATT 151647-01-000 SCREW G11-08-12U (4)	SOLAR PANEL 

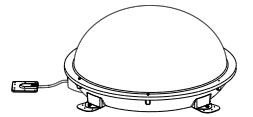
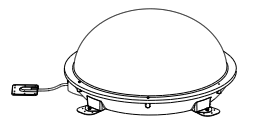
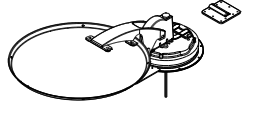
ANTENNA ASM-PACKAGE

ANTEXT-1	CABLE ASM-EXTENS 77069-02-000	RADIO ANTENNA CABLE EXTENSION 2400MM USABLE LENGTH 
ANTKIT-1	ADAPTER-PLATE 76319-06-000 SCREW G11-08-08T (6) CLIP-WIRE 80734-02-000 SCREW G11-08-08T	PLATE ASM-ADAPTERS CABLE ROOF MOUNTING PLATE W/ CABLE-CABLE ADAPTER, FITTINGS, AND CABLE RETAINING CLIP 
ANT-R	ANTENNA-RADIO 90944-01-000 EXTENDER-SHAFT ANTENNA 109889-04-000 BRACKET-ANTENNA GROUND 147741-01-CHT	ROOF MOUNT RADIO ANTENNA 
ANTEXT-2	CABLE ASM-EXTENS 77069-03-000	RADIO ANTENNA CABLE EXTENSION 6600 MM USABLE LENGTH

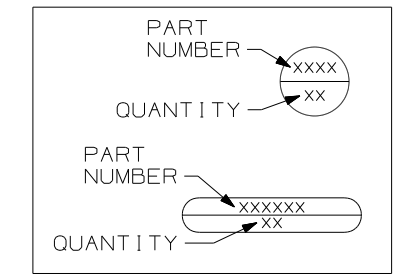
SATELLITE DISH INSTL

NO	PART NUMBER	DESCRIPTION
DM-1	SATELLITE DISH 137135-02-000 SCREW G67-10-12B (8) PLATE & BRACKET (SUPPLIED) SCREW G67-10-12B (10)	SATELLITE DISH ANTENNA ASM MANUAL SETUP 
DA-1	SATELLITE DISH 163598-01-CHT PLATE-ROOF,CABLE ENTRY QUAD 146488-03-000 SCREW G67-10-12U (8) (FOR PLATE) SCREW G39-10-12U (12) (FOR SATELLITE DISH)	SATELLITE DISH ANTENNA ASM AUTOMATIC SETUP 
D1-1	SATELLITE DISH 154474-04-CHT SCREW G39-10-12B (12) PLATE 146488-01-000 SCREW G67-10-12B (10)	SATELLITE DISH ANTENNA ASM IN MOTION SETUP 

SATELLITE DISH INSTL

NO	PART NUMBER	DESCRIPTION
DA-2	SATELLITE DISH 163598-01-CHT PLATE-ROOF,CABLE ENTRY QUAD 146488-03-000 CABLE ASM-COAX 9" 163598-04-000 ADAPTOR-CABLE TO CABLE 82134-01-000 SCREW G67-10-12U (8) (FOR PLATE) SCREW G39-10-12U (12) (FOR SATELLITE DISH)	SATELLITE DISH ANTENNA ASM AUTOMATIC SETUP 
D1-2	SATELLITE DISH 154474-04-CHT PLATE-ROOF,CABLE ENTRY QUAD 146488-03-000 CABLE ASM-COAX 9" 163598-04-000 ADAPTOR-CABLE TO CABLE 82134-01-000 SCREW G67-10-12U (8) (FOR PLATE) SCREW G39-10-12U (12) (FOR SATELLITE DISH)	SATELLITE DISH ANTENNA ASM AUTOMATIC SETUP 
DM-2	SATELLITE DISH 137135-05-000 PLATE-ROOF,ENTRY (SUPPLIED WITH SATELLITE DISH) SCREW G67-10-12U (8) (FOR ROOF PLATE) SCREW G67-10-12U (10) (FOR SATELLITE DISH)	SATELLITE DISH ANTENNA ASM MANUAL SETUP 

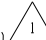
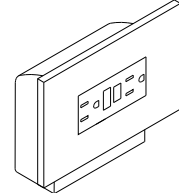

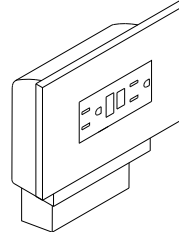
LEGEND

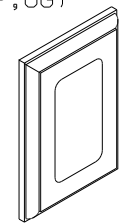
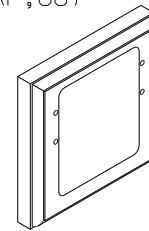
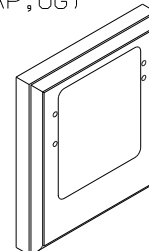
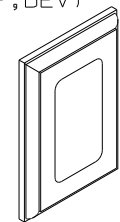
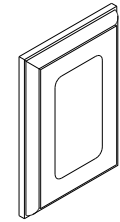


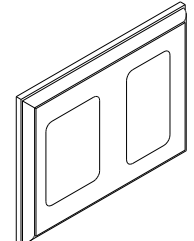
FIRST USED	96 MH'S
TITLE	DO NOT SCALE DRAWING
	PART LISTING-ELECTRICAL
SHEET 5	PART NO 121339 REV

RECEPTACLE PACKAGE - GF I


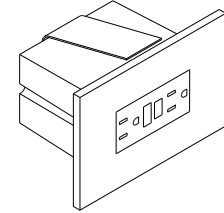
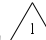
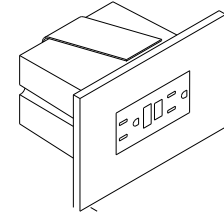
SPACERS

NO	PART NUMBER	DESCRIPTION
GF1 US	RECEPTACLE 163319-01-CHT BOX 91910-02-000 WIRE-BONDING 133678-03-000 SCREW G13-07-12B (4) CONNECTOR 8313-01-000 TUBING-VINYL 8041-02-000 (300MM) 	GF1 RECEPTACLE WITH COVER AND BOX FOR US APPLICATION 
GF1 CAN	RECEPTACLE 163319-01-CHT BOX 91910-01-000 WIRE-BONDING 133678-03-000 SCREW G13-07-12B (4) CONNECTOR 8313-01-000 TUBING-VINYL 8041-02-000 (300MM) 	GF1 RECEPTACLE WITH COVER AND BOX FOR CANADA APPLICATION 

NO	PART NUMBER	DESCRIPTION
SP-01	SPACER 102568-01-XXX	STANDARD 110V RECEPTACLE SPACER (WOOD,VYL RAP,OG) 
SP-02	SPACER 102568-02-XXX	WOOD SPACER FOR CEILING MOUNTED A/C PREP BOX (US) (WOOD,VYL RAP,OG) 
SP-03	SPACER 102568-03-XXX	WOOD SPACER FOR CEILING MOUNTED A/C PREP BOX (CANADA) (WOOD,VYL RAP,OG) 
SP-04	SPACER 133713-01-CHT	STANDARD 110V RECEPTACLE SPACER (WOOD,VYL RAP,BEV) 
SP-05	SPACER 133713-20-XXX	STANDARD 110V RECEPTACLE SPACER (WOOD,BEV) 

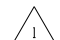
SP-21	SPACER 126052-01-XXX	WOOD SPACER FOR 1 - 110V RECEPTACLE AND 1 - REAR TV (12V) JACK (WOOD,BEV) 
-------	-------------------------	---

RECEPTACLE PACKAGE - GF I

NO	PART NUMBER	DESCRIPTION
GF1-L US	RECEPTACLE 163319-01-CHT BOX 133070-01-000 WIRE-BONDING 133678-03-000 SCREW G13-07-12B (4) CONNECTOR 8313-01-000 TUBING-VINYL 8041-02-000 (300MM) 	GF1 RECEPTACLE WITH COVER AND BOX FOR US APPLICATION 
GF1-L CAN	RECEPTACLE 163319-01-CHT BOX 133070-02-000 WIRE-BONDING 133678-03-000 SCREW G13-07-12B (4) CONNECTOR 8313-01-000 TUBING-VINYL 8041-02-000 (300MM) 	GF1 RECEPTACLE WITH COVER AND BOX FOR CANADA APPLICATION 

LEGEND

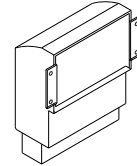
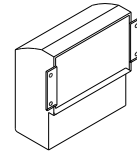
MISC.	SPACER
PART NUMBER → XXXX LISTING → XXX	XXXX → PART NUMBER

 APPLY TUBING TO BARE GROUND WIRES.  
NOTES:

FIRST USED	96 MH'S
TITLE	DO NOT SCALE DRAWING
TITLE	PART LISTING-ELECTRICAL
SHEET 6	PART NO 121339 REV

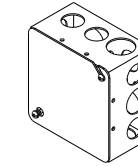
PREP - A/C, RECESSED (W/OUT FACTORY A/C)

NO	PART NUMBER	DESCRIPTION
PREP A/C-US	BOX 91910-02-000 COVER 84099-02-CHT LABEL 91243-01-000 SCREW G13-07-12B (4) CONNECTOR 8313-01-000 (3)	BOX AND EQUIPMENT USED FOR A/C PREP (W/OUT FACTORY A/C). US APPLICATION (RECESSED IN ROOF)
PREP A/C-CAN	BOX 91910-01-000 COVER 84099-02-CHT LABEL 91243-01-000 SCREW G13-07-12B (4) CONNECTOR 8313-01-000 (3)	BOX AND EQUIPMENT USED FOR A/C PREP (W/OUT FACTORY A/C). CANADA APPLICATION (RECESSED IN ROOF)



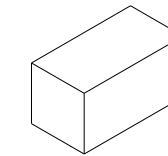
CONNECTION BOX, GENERATOR SERVICE FEED

NO	PART NUMBER	DESCRIPTION
J-GEN 30	BOX 8289-01-000 COVER 8294-01-000 SCREW G67-10-10B (2)	BOX AND EQUIPMENT USED FOR CONNECTING THE GENERATOR LEADS TO THE SERVICE ENTRANCE WIRES (US & CA APPLICATION)
J-GEN 30-US	WIRE ASM-GROUND 133678-02-000	
J-GEN 30-CA	WIRE NUT-GREY 8314-01-000 (3) SCREW-GRND 103291-01-000	
	CONNECTOR-WIRE 8356-01-000	



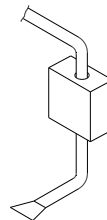
PREP - A/C, SURFACE (W/OUT FACTORY A/C)

NO	PART NUMBER	DESCRIPTION
PREP SURF	BOX 93603-01-000 COVER 53337-01-000 LABEL 91243-01-000 SCREW-GRND 103291-01-000 WIRE-BONDING 8019-01-000 SCREW G11-08-12B (2) TERMINAL 8328-01-000 CONNECTOR 8313-01-000 (2) CONNECTOR 8311-01-000	SURFACE MOUNT, US AND CANADA, BOX AND EQUIPMENT FOR A/C PREP (W/OUT FACTORY A/C). TYPICALLY LOCATED ON OVERHEAD CABINET INNER WALL OR ON CEILING.



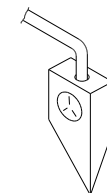
CONNECTION BOX-POWER CORD

NO	PART NUMBER	DESCRIPTION
J-PC 30	BOX 8289-01-000 COVER 8294-01-000 SCREW G67-10-10B (2)	CONNECTION BOX IN POWER CORD COMPT FOR POWER CORD (US & CA APPLICATION)
J-PC 30-US	WIRE ASM-GROUND 133678-02-000	
J-PC 30-CA	CONNECTOR 8314-01-000 (3) SCREW-GRND 103291-01-000	
	CONNECTOR 8356-02-000 CONNECTOR (PC) 8355-01-000	

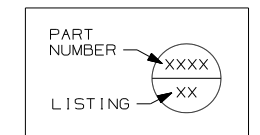


CONNECTION BOX-GENERATOR RECEPTACLE

NO	PART NUMBER	DESCRIPTION
J-RCP 30	BOX 8289-01-000 RECEPTACLE 24924-02-000 COVER 69238-01-000 SCREW G67-10-10B (2)	CONNECTION BOX IN POWER CORD COMPT FOR THE GENERATOR RECEPTACLE (US & CA APPLICATION)
J-RCP 30-US	WIRE ASM-GROUND 133678-02-000 133678-04-000	
J-RCP 30-CA	SCREW-GRND 103291-01-000 CONNECTOR 8314-01-000 TUBING-VINYL 8041-02-000 (1)	
	(150MM)	



LEGEND



NOTES:  
1 APPLY TUBING TO BARE GROUND WIRES.

FIRST USED	96 MH'S
TITLE	DO NOT SCALE DRAWING
	PART LISTING-ELECTRICAL
SHEET 7	PART NO 121339 REV

WIRE IDENTIFICATION CHART

CODE/COLOR	FROM:	TO:	CODE/COLOR	FROM:	TO:
A 14 YEL	GALLEY CEILING LAMP SWITCH	GALLEY CEILING LAMP	X 14 YEL	- CHASSIS BRAKE LAMP CIRCUIT	- CENTER MOUNT BRAKE LAMP
B 12 YEL	OVERCURRENT PROTECTION (30A BREAKER TYPICAL)	POWER PASSENGER SEAT ("BUDDY SEAT")	Y 16 YEL	VOLUME CONTROL	RADIO/TV SPEAKER
C 12 WHT	POWER PASSENGER SEAT	GROUND	Z 6 BLK	OVERCURRENT PROTECTION (45 OR 55A BREAKER TYP)	COACH 12V PANEL
D 14 YEL	SHOWER OVHD LAMP SWITCH SEE WIRE PF, START OF 97	SHOWER OVHD LAMP	AA 16 WHT	SERVICE ENGINE SOON LAMP	VEHICLE SERVICE ENGINE SOON LAMP CIRCUIT
E 095038-01-	PHONE INPUT JACK	REAR PHONE JACK	AB 16 WHT	WATER TANK LEVEL SENSORS	GROUND
F 095038-01-	PHONE INPUT JACK	EXTERIOR PHONE JACK	AC 16 WHT	MAIN HOLDING TANK SENSORS (BLACK WATER)	GROUND
G 12/ 10 YEL	OVERCURRENT PROTECTION (30A BREAKER TYPICAL)	HIGH SPEED HEATER FAN (USE 10 IF OVER 6' RUN)	AD 16 WHT	AUXILIARY HOLDING TANK #1 (GRAY WATER)	GROUND
H 095038-01-	PHONE INPUT JACK	FRONT PHONE JACK	AE 16 WHT	AUXILIARY HOLDING TANK #2 (GRAY WATER)	GROUND
J 6 BLK	OVERCURRENT PROTECTION (45 OR 55A BREAKER TYP)	COACH 12V PANEL/ CONVERTER BATTERY CHARGE	AF 12 YEL	WATER PUMP SWITCH #1	MONITOR PANEL WATER PUMP SWITCH
K 6 BLK	OVERCURRENT PROTECTION (45 OR 55A BREAKER TYP)	COACH 12V PANEL	AG 12 YEL	WATER PUMP SWITCH #1	MONITOR PANEL WATER PUMP SWITCH
L 6 GRN	CONVERTER 45 OR 55 AMP	GROUND	AH 14 YEL	OVERCURRENT PROTECTION (10A FUSE TYPICAL)	BRAKE LAMP SWITCH WARNING LAMP (IGNITION RUN/START FED)
M 6 BLK	OVERCURRENT PROTECTION (45 OR 50A BREAKER )	CONVERTER BATTERY CHARGE	AJ 12 WHT	CHASSIS GROUND	BODY GROUND
N 10 WHT	REFRIGERATOR	GROUND	AK 12 WHT	CHASSIS GROUND	BODY GROUND
P 10YEL(BLK)	OVERCURRENT PROTECTION (20A FUSE TYPICAL)	REFRIGERATOR (3 WAY)	AL 12 YEL	HEATER CONTROL (LOW SPEED)	BLOWER MOTOR (LOW SPEED)
R 8 GRN	REFRIGERATOR CHASSIS	GROUND	AM 12YEL(WHT)	HEATER CONTROL (MEDIUM/LOW SPEED)	BLOWER MOTOR (MEDIUM/LOW SPEED)
S 8 OR 6 GRN	GROUND BAR (LEFT SIDE)	CHASSIS GROUND	AN 12 YEL	HEATER CONTROL (MEDIUM/HIGH SPEED)	BLOWER MOTOR (MEDIUM/HIGH SPEED)
T 8 OR 6 GRN	GROUND BAR (RIGHT SIDE)	CHASSIS GROUND	AP 14 YEL	IGNITION SWITCH ACCESSORY FEED	OVERCURRENT PROTECTION (15A FUSE TYPICAL)
U 6 GRN	CONVERTER CHASSIS	GROUND	AR 14 WHT	HORN, FOG LAMPS	GROUND
W 8 GRN	- GROUND STUD	- GROUND STUD	AS 18 WHT	DASH RADIO	RIGHT FRONT SPEAKER (NEGATIVE)

WIRE IDENTIFICATION CHART

CODE/COLOR	FROM:	TO:	CODE/COLOR	FROM:	TO:
AT 18 WHT	DASH RADIO	LEFT FRONT SPEAKER (NEGATIVE)	BR 14 YEL	POWER MIRROR (RIGHT SIDE)	POWER MIRROR CONTROL SWITCH
AU 16 YEL	OVERCURRENT PROTECTION (15A BREAKER TYPICAL)	FRONT CARGO LAMP SWITCH (IGNITION ACCESSORY FED)	BS 14 YEL	POWER MIRROR HEAT SWITCH	POWER MIRRORS
AW 16 YEL	FRONT CARGO LAMP SWITCH	REAR CARGO LAMP SWITCH	BT 14 YEL	POWER MIRROR (LEFT SIDE)	POWER MIRROR CONTROL SWITCH
AX 16 YEL	FRONT CARGO LAMP SWITCH	REAR CARGO LAMP SWITCH	BU 14 YEL	RUN ONLY POWER	POWER MIRROR HEAT/ CONTROL SWITCHES
AY 16 YEL	REAR CARGO LAMP SWITCH	CARGO LAMPS	BW 12 YEL	IGNITION SWITCH	ACCESSORY CIRCUIT FEED
BA 14 WHT	WINDSHIELD WIPER MOTOR	GROUND	BX 12YEL(ORN)	IGNITION SWITCH RUN ONLY SOURCE	GENERAL(TURN, BACK UP,DASH IGNITION CIRCUIT,ETC)
BB 16 YEL	OVERCURRENT PROTECTION (6A BREAKER TYPICAL)	INSTRUMENT PANEL GAUGES (IGNITION ACCESSORY FED)	BY 12YEL/8BLK	OVERCURRENT PROTECTION (16GA FUSELINK)(8GA PASSTHRU)	CHASSIS BATTERY SOURCE(AUTO AC BLOWER,POWER DRIVER SEAT,ETC)
BC 14 WHT	INDICATOR LAMPS	GROUND	CA 12 YEL	OVERCURRENT PROTECTION (16GA FUSELINK TYPICAL)	CHASSIS BATTERY SOURCE
BD 14 YEL	OVERCURRENT PROTECTION (10A FUSE TYPICAL)	BRAKE LAMP SWITCH	CB 12 YEL	IGNITION SWITCH START SOURCE	START CIRCUIT SOURCE
BE 12 WHT	BLOWER MOTOR	GROUND	CC 16 YEL	ALTERNATOR	ALTERNATOR WARNING LAMP
BF 14 WHT	WASHER BOTTLE PUMP/HORN	GROUND	CD 16 YEL	OIL PRESSURE WARNING SENDER	OIL PRESSURE WARNING LAMP
BG 14 YEL	FUEL SENDER	FUEL GAUGE	CE 16 YEL	WATER TEMPERATURE WARNING SENDER	WATER TEMPERATURE WARNING LAMP
BH 14 YEL	RUN ONLY POWER RELAY	ENGINE WIRING	CF 14 YEL	REAR TV JACK	POWER FEED SWITCH
BJ 16 YEL	OVERCURRENT PROTECTION (10A FUSE TYPICAL)	ENGINE WIRING (IGNITION RUN/START FED)	CG 14 YEL	CLUTCH/NEUTRAL SWITCH	START ISOLATION RELAY
BK 14 YEL	OVERCURRENT PROTECTION (10A FUSE TYPICAL)	HORN RELAY FEED	CH 14 YEL	START RELAY	ENGINE WIRING
BL 16 WHT	CIGAR LIGHTER	GROUND	CJ 14 YEL	WINDSHIELD WIPER/WASHER CONTROL SWITCH	WINDSHIELD WASHER PUMP
BM 16 YEL	CHASSIS BATTERY POWER	CIGAR LIGHTER	CK 16 YEL	TELEVISION	SPEAKER (POSITIVE)
BN 16 YEL	ACCESSORY POWER	SPOTLAMP	CL 16 WHT	TELEVISION	SPEAKER (NEGATIVE)
BP 14 WHT	POWER MIRROR	GROUND	CM 10 YEL	OVERCURRENT PROTECTION (15A BREAKER TYPICAL)	INVERTER FEED

WIRE IDENTIFICATION CHART

CODE/COLOR	FROM:	TO:	CODE/COLOR	FROM:	TO:
CN 10 WHT	INVERTER	GROUND	DL 16 YEL	TV/RADIO SPEAKER SWITCHING RELAY OUTPUT	RIGHT REAR SPEAKER POSITIVE
CP 12 WHT	INVERTER CHASSIS	GROUND	DM 16 WHT	TV/RADIO SPEAKER SWITCHING RELAY OUTPUT	RIGHT REAR SPEAKER NEGATIVE
CR 16 WHT	VEHICLE CHECK ENGINE LAMP CIRCUIT	CHECK ENGINE LAMP	DN 10 YEL	BATTERY DISCONNECT RELAY	CIRCUIT BREAKER SLIDEOUT ROOM CIRCUIT BRKR
CS 16 WHT	REMOTE THERMOSTAT (RC TERM/ORG EXPORT AIR)	GROUND	DP 14 YEL	TV/RADIO SPEAKER FEED SELECT SWITCH	TV/RADIO SPEAKER SWITCHING RELAY COIL INPUT OR AMPLIFIER
CT 16 YEL	DAYTIME RUNNING LAMP MODULE OUTPUT(PIN 30)	LOW BEAM HEADLAMP CIRCUIT	DR 16 YEL	HWH WIRING OR KWIKEE FRONT SLIDE MODULE	SLIDEOUT SWITCH (ROOM ONE EXTEND)
CU 16 YEL	DAYTIME RUNNING LAMP MODULE ENABLE(PIN 85)	RUN/START CIRCUIT	DS 16 WHT	CONTROL MODULE (FRONT SLIDE)(GROUND)	SLIDEOUT SWITCH (FRONT SLIDEOUT)
CW 14 YEL	DAYTIME RUNNING LAMP MODULE POWER(PIN 87A)	CHASSIS BATTERY POWER	DT 16 YEL	SLIDEOUT ROOM RELAY (PIN 30)	SLIDEOUT ROOM CONTROL SWITCH
CX 16 WHT	DAYTIME RUNNING LAMP MODULE GROUND(PIN 87)	GROUND	DU 16 YEL	HWH WIRING OR KWIKEE FRONT SLIDE MODULE	SLIDEOUT SWITCH (ROOM ONE RETRACT)
CY 16 YEL	DAYTIME RUNNING LAMP MODULE HIGH BEAM DISABLE(PIN 86)	HIGH BEAM HEADLAMP CIRCUIT	DW 16 WHT	SLIDEOUT ROOM SWITCH (G) (SWITCHED GROUND TO PUMP)	HWH WIRING (SWITCHED GROUND TO PUMP)
DA 12 YEL	SHOWER SUMP SYSTEM PUMP SWITCH	SHOWER SUMP SYSTEM PUMP	DX 16 WHT	HWH WIRING (G) (GROUND)	SLIDEOUT ROOM SWITCH (GROUND)
DB 12 WHT	SHOWER SUMP SYSTEM PUMP	GROUND	DY 16 WHT	HWH WIRING (G) (JACK SENSE; SWITCHED GROUND)	SLIDEOUT ROOM RELAY (JACK SENSE; SWITCHED GROUND)
DC 16 YEL	REAR ROOF AIR CONDITIONER EXHAUST CIRCUIT	THERMOSTAT	EA 16 YEL	HWH WIRING (G) (ACCESSORY POWER)	SLIDEOUT ROOM RELAY (ACCESSORY POWER)
DD 16 YEL	REAR ROOF AIR CONDITIONER COOL CIRCUIT	THERMOSTAT (Y TERM-EXPORT AIR/YEL)	EB 16 YEL	SLIDEOUT ROOM RELAY (G) (SWITCHED ACCESSORY POWER)	FRT/RR SLIDEOUT ROOM SWITCH (SWITCHED EXTEND/RETRACT PWR)
DE 16 YEL	REAR ROOF AIR CONDITIONER HIGH SPEED FAN CIRCUIT	THERMOSTAT (H TERM-EXPORT AIR/BLU)	EC 10 YEL	CHASSIS BATTERY POWER SOURCE (BATTERY MODE SOLENOID POST)	THRU FUSE TO AMP SOURCE SELECT RELAY(PIN 87)(OPTION 21V,95 Q)
DF 16 YEL	REAR ROOF AIR CONDITIONER LOW SPEED FAN CIRCUIT	THERMOSTAT (G TERM-EXPORT AIR/RED)	ED 10 YEL	COACH BATTERY POWER SOURCE (BATTERY MODE SOLENOID POST)	THRU FUSE TO AMP SOURCE SELECT RELAY(PIN 87A)(OPTION 21V,95Q)
DG 12YEL(GRY)	IGNITION SWITCH	ACCESSORY/RUN FEED	EE 16 YEL	AIR RIDE SUSPENSION LEFT DOWN SWITCH POSITION	AIR RIDE SUSPENSION LEFT HEIGHT CONTROL BOX
DH 14 YEL	EMERGENCY SHUTDOWN GAUGE	FUEL SOLENOID (DIESEL ENGINE)	EF 16 YEL	AIR RIDE SUSPENSION LEFT UP SWITCH POSITION	AIR RIDE SUSPENSION LEFT HEIGHT CONTROL BOX
DJ 16 YEL	TV/RADIO SPEAKER SWITCHING RELAY OUTPUT	LEFT REAR SPEAKER POSITIVE	EG 16 WHT	AIR RIDE SUSPENSION WIRE ASM GROUND	AIR RIDE SUSPENSION CONTROL LAMP GROUNDS
DK 16 WHT	TV/RADIO SPEAKER SWITCHING RELAY OUTPUT	LEFT REAR SPEAKER NEGATIVE	EH 16 YEL	AIR RIDE SUSPENSION RIGHT DOWN SWITCH POSITION	AIR RIDE SUSPENSION RIGHT HEIGHT CONTROL BOX

WIRE IDENTIFICATION CHART

CODE/COLOR	FROM:	TO:	CODE/COLOR	FROM:	TO:
EJ 16 YEL	AIR RIDE SUSPENSION RIGHT UP SWITCH POSITION	AIR RIDE SUSPENSION RIGHT HEIGHT CONTROL BOX	FJ 12 YEL	WATER PUMP SWITCH #2 (THREE SWITCH SYSTEM)	WATER PUMP SWITCH #1 (THREE SWITCH SYSTEM)
EK 16 YEL	AIR RIDE SUSPENSION AUTO MODE SWITCH POSITION	AIR RIDE SUSPENSION HEIGHT CONTROL BOXES	FK 12 YEL	WATER PUMP SWITCH #2 (THREE SWITCH SYSTEM)	WATER PUMP SWITCH #1 (THREE SWITCH SYSTEM)
EL 16 YEL	RUN ONLY POWER	AIR RIDE SUSPENSION AUTO/MANUAL MODE SWITCH	FL 14 YEL	SECOND PORCH LAMP SWITCH	SECOND PORCH LAMP
EM 16 YEL	AIR RIDE SUSPENSION COMPRESSOR	COMPRESSOR ON WARNING LAMP	FM 14 WHT	SOLENOID MOUNTING BOLT	GROUND
EN 16 YEL	AIR RIDE SUSPENSION MANUAL MODE SWITCH POSITION	LEVEL CONTROL SWITCHES AND INDICATOR LAMP	FN 16 YEL	SOURCE SELECTOR SWITCH (DELUXE SOUND SYSTEM,95 LUXOR)	AMP & EQUALIZER REMOTE TRIGGER (DELUXE SOUND SYSTEM,95 LUXOR)
EP 14 YEL	OVERCURRENT PROTECTION (15A BREAKER TYPICAL)	SPOTLAMP	FP 16 YEL	EXHAUST BRAKE SWITCH (DIESEL PUSHER CHASSIS)	CHASSIS EXHAUST BRAKE HARNESS & BRAKE ON DASH INDICATOR LAMP
ER 16 YEL	OVERCURRENT PROTECTION (6A BREAKER TYPICAL)	ELECTRIC STEP KILL SWITCH	FR 14 YEL	FORD RUN/ACCESSORY IGNITON CIRCUIT(WHT/PUR,10A FUSED)	DOCKING LAMPS, RELAY TRIGGER, REAR MONITOR CAMERA FEED
ES 16 YEL	ELECTRIC STEP KILL SWITCH	ELECTRIC STEP	FS 14 YEL	DOCKING LAMPS RELAY(PIN 87)	DOCKING LAMPS
ET 16 YEL	OVERCURRENT PROTECTION (6A BREAKER TYPICAL)	REFRIGERATOR (2 WAY)	FT 14 WHT	DOCKING LAMPS	GROUND
EU 16 WHT	REFRIGERATOR (2 WAY)	GROUND	FU 14 YEL	AUTOMOTIVE AIR WIRING	FORD A/C COMPRESSOR CLUTCH SWITCH CIRCUIT
EW 14 YEL	FUEL HEATER SWITCH	FUEL HEATER (DIESEL ENGINE)	FW 14 YEL	DOCKING LAMPS SWITCH	DOCKING LAMPS RELAY(PIN 30)
EX 14 YEL	TELEVISION POWER SWITCH	TELEVISION WALL PLATE	FX 12 YEL	OVERCURRENT PROTECTION (30A BRKR OR FUSE)	POWER DRIVER SEAT (I.E.,6 WAY)
EY 12YELLTBLU	OVERCURRENT PROTECTION (16GA FUSELINK TYPICAL)	IGNITION SWITCH FEED #2	FY 12 WHT	POWER DRIVER SEAT (I.E.,6 WAY)	GROUND
FA 14 YEL	DRIVER'S DOOR PASSENGER SIDE POWER WINDOW SWITCH(DOWN,PIN2)	PASSENGER'S POWER WINDOW SWITCH(PIN 2)	GA 14 YEL	WATER SYSTEM WINTERIZATION SWITCH	WINTERIZATION VALVE
FB 14 YEL	DRIVER'S DOOR PASSENGER SIDE POWER WINDOW SWITCH(UP,PIN 4)	PASSENGER'S POWER WINDOW SWITCH(PIN 4)	GB 14 YEL	WATER HEATER BYPASS SWITCH	WATER HEATER BYPASS VALVE
FC 14 YEL	PASSENGER'S DOOR POWER WINDOW SWITCH(DOWN,PIN 1)	PASSENGER'S DOOR POWER WINDOW MOTOR(DOWN)	GC 16 YEL	SLIDEOUT ROOM SPDT SWITCH (M) (SWITCHED WIRE)	HWH WIRING (SWITCHED WIRE)
FD 14 YEL	PASSENGER'S DOOR POWER WINDOW SWITCH(UP,PIN 5)	PASSENGER'S DOOR POWER WINDOW MOTOR(UP)	GD 16 YEL	WIPER CONTROL MODULE	WIPER MOTOR (S TERMINAL)
FG 10 YEL	AMPLIFIER POWER SOURCE SELECT RELAY (PIN 30)	AMPLIFIER POWER FEED (DELUXE SOUND SYSTEM,95 LUXOR)	GE 16 YEL	SWITCHED DOME LAMP FEED	DOME LAMP
FH 10 WHT	AMPLIFIER (DELUXE SOUND SYSTEM,95 LUXOR)	GROUND	GF 16 WHT	COMMON REAR CHANNEL SPEAKER RETURN	REAR SPEAKERS

WIRE IDENTIFICATION CHART

CODE/COLOR	FROM:	TO:	CODE/COLOR	FROM:	TO:
GG 16 YEL	RADIO REMOTE TRIGGER (DELUXE SOUND OPTION)	SOURCE SELECTOR SWITCH (LUXOR)	HE 14 WHT	SOFA SLIDE MOTOR NEGATIVE (94 VANS)	SOFA MONOPLEX CONTROLLER
GH 14 WHT	GLOW PLUG WAIT LAMP (DIESEL ENGINE)	ENGINE SENDER	HF 14 YEL	SOFA RECLINE MOTOR POSITIVE (94 VANS)	SOFA MONOPLEX CONTROLLER
GJ 16 YEL	COACH BATTERY POWER (UPSTREAM OF DISCONNECT)	LP DETECTOR AND/OR SOLAR PANEL WIRING OVERCURRENT PROTECTION	HG 14 WHT	SOFA RECLINE MOTOR NEGATIVE (94 VANS)	SOFA MONOPLEX CONTROLLER
GK 14 YEL	AIR HORN SWITCH	CHASSIS HORN	HH 16 YEL	SOFA MONOPLEX SWITCH (94 VANS)	SOFA MONOPLEX CONTROLLER
GL 16 WHT	WATER/HOLDING TANKS LEVEL SENSORS	GROUND	HJ 16 WHT	SOFA MONOPLEX SWITCH (94 VANS)	GROUND
GM 16 YEL	JET AIR RIDE SUSPENSION PRESSURE SENSORS	CHECK REAR AIR SUSPENSION DASH WARNING LAMP	HK 14 WHT	SOFA MONOPLEX CONTROLLER (94 VANS)	GROUND
GN 16 YEL	REAR TV SPEAKER OUTPUT (POSITIVE)	REAR TV SPEAKER (POSITIVE)	HL 14 YEL	FLOOD LAMP SWITCH (94 VANS)	FLOOD LAMP
GP 16 WHT	REAR TV SPEAKER OUTPUT (NEGATIVE)	REAR TV SPEAKER (NEGATIVE)	HM 16 YEL	REAR TV SPEAKER OUTPUT (POSITIVE)	REAR TV SPEAKER (POSITIVE)
GR 14 YEL	THERMOSTATICALLY CONTROLLED ROOF VENT (SEND)	THERMOSTAT (RETURN)	HN 16 WHT	REAR TV SPEAKER OUTPUT (NEGATIVE)	REAR TV SPEAKER (NEGATIVE)
GS 14 YEL	THERMOSTATICALLY CONTROLLED ROOF VENT (RETURN)	THERMOSTAT (RETURN)	HP 16 YEL	OVERCURRENT PROTECTION (94 VANS)	REAR AC
GT 16 YEL	RADIO POWER SWITCH (MEMORY FEED)	RADIO (MEMORY FEED)	HR 14 YEL	SWITCH (94 1200 MODEL VAN)	12VOLT RECEPTACLE
GU 16 YEL	DEFOG MODULE OUTPUT	DEFOG RELAY, INDICATOR LAMP	HS 16 YEL	SOLAR PANEL (1HS INDICATOR TO BATTERY)	COACH BATTERY THRU OVERCURRENT PROTECTION
GW 16 WHT	DEFOG SWITCH ON/OFF	DEFOG MODULE ON/OFF	HT 16 WHT	SOLAR PANEL (1HT INDICATOR TO GROUND)	GROUND
GX 16/12 WHT	STEP COVER SWITCH (REF AAA-16/KA-12)	GROUND	HU 16 YEL	GENERATOR SWITCH (LED)	GENERATOR (POSITIVE SIGNAL)
GY 12 YEL	DEFOG RELAY	DEFOG UNIT	HW 16 YEL	LICENSE PLATE LAMP FEED	LICENSE PLATE LAMP
HA 14 YEL	READING LAMPS SWITCH (93 VANS)	READING LAMPS	HX 16 YEL	CHASSIS CLEARANCE LAMP CRT #2	CLEARANCE/MARKER LAMPS
HB 14 YEL	"MOOD" LAMPS SWITCH (93 VANS)	"MOOD" LAMPS	HY 12 WHT	DEFOG UNIT	GROUND
HC 14 YEL	12V POWER SOURCE (93 VANS)	OVERCURRENT PROTECTION (15A FUSE TYPICAL)	JA 14 YEL	OVERCURRENT PROTECTION (15A FUSE/BREAKER TYPICAL)	WATER PUMP, MONITOR PANEL, ETC ( "CLEAN CIRCUIT" ,REF JP)
HD 14 YEL	SOFA SLIDE MOTOR POSITIVE (94 VANS)	SOFA MONOPLEX CONTROLLER	JB 14 YEL	OVERCURRENT PROTECTION (15A FUSE/BREAKER TYPICAL)	FURNACE, ROOF VENT, ETC (REF JM)



WIRE IDENTIFICATION CHART

CODE/COLOR	FROM:	TO:	CODE/COLOR	FROM:	TO:
JC 14 YEL	OVERCURRENT PROTECTION (15A FUSE/BREAKER TYPICAL)	COACH LIGHTING, ETC CIRCUIT #1 (REF NC)	KA 12 YEL	OVERCURRENT PROTECTION (25A BREAKER TYPICAL)	ELECTRIC STEP BATTERY POWER
JD 14 YEL	OVERCURRENT PROTECTION (15A FUSE/BREAKER TYPICAL)	COACH LIGHTING, ETC CIRCUIT #2 (REF ND)	KB 10 YEL	OVERCURRENT PROTECTION (25A BREAKER TYPICAL)	ELECTRIC STEP KILL SWITCH (OLD STEP WIRING STYLE)
JE 14 YEL	OVERCURRENT PROTECTION (15A FUSE/BREAKER TYPICAL)	COACH LIGHTING, ETC CIRCUIT #3 (REF NE)	KC 10 YEL	ELECTRIC STEP KILL SWITCH (OLD STEP WIRING STYLE)	ELECTRIC STEP
JF 14 YEL	OVERCURRENT PROTECTION (15A FUSE/BREAKER TYPICAL)	COACH LIGHTING, ETC CIRCUIT #4 (REF NF)	KD 18 WHT	ELECTRIC STEP DOOR JAMB SWITCH	ELECTRIC STEP
JG 14 YEL	OVERCURRENT PROTECTION (15A FUSE/BREAKER TYPICAL)	COACH LIGHTING, ETC(ALT CLEAN) CIRCUIT #5 (REF JN)	KE 14 YEL	RUN ONLY POWER SOURCE	GENERAL PURPOSE(RELAY TRIGGER, REAR AUTO HTR,DRL,MONITOR,ETC)
JH 14 YEL	MAIN FURNACE (12V POWER)	MAIN FURNACE THERMOSTAT	KF 16 WHT	COACH BATTERY DISCONNECT RELAY SWITCH	GROUND
JJ 14 YEL	MAIN FURNACE (HEAT)	MAIN FURNACE THERMOSTAT	KG 14 YEL	POWER LIFT VENT (BLU)	POWER LIFT SWITCH(UP)
JK 14 YEL	AUXILIARY FURNACE	AUXILIARY FURNACE THERMOSTAT	KH 14 YEL	POWER LIFT VENT (RED)	POWER LIFT SWITCH(DOWN)
JL 14 YEL	AUXILIARY FURNACE	AUXILIARY FURNACE THERMOSTAT	KJ 14 YEL	POWER LIFT VENT (BLK)	FAN SWITCH
JM 14 WHT	MAIN FURNACE	GROUND	KK 18 YEL	REAR STEREO	RIGHT SPEAKER (POSITIVE)
JN 14 WHT	COACH LIGHTING CIRCUIT #5 (REF JG)	GROUND(ALTERNATE CLEAN CIRCUIT FOR LINEAR CONVERTER)	KL 18 WHT	REAR STEREO	RIGHT SPEAKER (NEGATIVE)
JP 14 WHT	"CLEAN CIRCUIT" DEVICES (REF JA)	GROUND	KM 14 YEL	POWER LIFT VENT LAMP	LAMP SWITCH
JR 16 YEL	MONITOR PANEL	LP TANK #2 LEVEL SENSOR	KN 18 YEL	REAR STEREO	LEFT SPEAKER (POSITIVE)
JS 12 YEL	MONITOR PANEL WATER PUMP SWITCH	WATER PUMP	KP 18 WHT	REAR STEREO	LEFT SPEAKER (NEGATIVE)
JT 16 YEL	MONITOR PANEL	LP TANK #1 LEVEL SENSOR	KR 14 WHT	REAR STEREO ANTENNA	GROUND
JU 14 YEL	MONITOR PANEL WATER HEATER SWITCH	WATER HEATER (BLU)	KS 14 YEL	REAR AUTO HEATER SWITCH (HIGH SPEED)	REAR AUTO HEATER
JW 14 YEL	MONITOR PANEL WATER HEATER SWITCH	WATER HEATER (BRN)	KT 14 YEL	REAR AUTO HEATER SWITCH (MEDIUM SPEED)	REAR AUTO HEATER
JX 14 WHT	WATER HEATER	GROUND	KU 14 YEL	REAR AUTO HEATER SWITCH (LOW SPEED)	REAR AUTO HEATER
JY 12 WHT	WATER PUMP	GROUND	KW 18 YEL	DASH RADIO	RIGHT FRONT SPEAKER (POSITIVE)

WIRE IDENTIFICATION CHART

CODE/COLOR	FROM:	TO:	CODE/COLOR	FROM:	TO:
KX 18 YEL	DASH RADIO	RIGHT REAR SPEAKER (POSITIVE)	LU 14 YEL	CHASSIS BRAKE LAMP CIRCUIT	VEHICLE BRAKES, TAG AXLE CONTROL MODULE, ETC.
KY 18 YEL	DASH RADIO	LEFT FRONT SPEAKER (POSITIVE)	LW 14 YEL	WIPER CONTROL MODULE (PARK)	WINDSHIELD WIPER MOTOR (FRONT)
LA 18 YEL	DASH RADIO	LEFT REAR SPEAKER (POSITIVE)	LX 14 YEL	WIPER CONTROL MODULE (LOW SPEED)	WINDSHIELD WIPER MOTOR (FRONT)
LB 18 WHT	DASH RADIO	RIGHT REAR SPEAKER (NEGATIVE)	LY 14 YEL	WIPER CONTROL MODULE (HIGH SPEED)	WINDSHIELD WIPER MOTOR (FRONT)
LC 18 WHT	DASH RADIO	LEFT REAR SPEAKER (NEGATIVE)	MA 14 YEL	WIPER CONTROL MODULE (WASHER BOTTLE PUMP)	WINDSHIELD WASHER BOTTLE PUMP (FRONT)
LD 14 YEL	IGNITION SWITCH ACCESSORY POWER SOURCE	GENERAL PURPOSE(AUX FANS, RELAY TRIGGER, ETC.)	MB 14 YEL	CHASSIS WINDSHIELD WIPER FEED CIRCUIT	OVERCURRENT PROTECTION (6A BREAKER TYPICAL)
LE 14 YEL	AUXILIARY DEFROST FANS SWITCH (HIGH SPEED)	AUXILIARY DEFROST FANS (BLK)	MC 16 WHT	INSTRUMENT PANEL LAMPS	GROUND
LF 14 YEL	AUXILIARY DEFROST FANS SWITCH (LOW SPEED)	AUXILIARY DEFROST FANS (RED)	MD 14 YEL	OVERCURRENT PROTECTION (15A BREAKER TYPICAL)	REMOTE MIRROR RELAY/POWER WINDOW FEED
LG 16 YEL	COACH BATTERY DISCONNECT RELAY (TERMINAL I)	COACH BATTERY DISCONNECT RELAY SWITCH	ME 14 YEL	OVERCURRENT PROTECTION (15A BREAKER TYPICAL)	AIR HORN RELAY FEED/ MARKER LAMPS RELAY FEED
LH 16 YEL	COACH BATTERY DISCONNECT RELAY (TERMINAL S)	COACH BATTERY DISCONNECT RELAY SWITCH	MF 14 YEL	OVERCURRENT PROTECTION (15A BREAKER TYPICAL)	FOG LAMP RELAY FEED/ SPOT LAMP FEED
LJ 16 YEL	COACH BATTERY DISCONNECT RELAY BATTERY SIDE FUSE FEED	COACH BATTERY DISCONNECT RELAY SWITCH	MG 14 WHT	GENERAL PURPOSE(RELAYS, DASH DEVICES, ETC.)	GROUND
LK 16 YEL	COACH BATTERY DISCONNECT RELAY LOAD SIDE FUSE FEED	COACH BATTERY DISCONNECT RELAY SWITCH/INDICATOR LAMP	MH 16 WHT	CHASSIS CHOKE LAMP INDICATOR CIRCUIT	CHOKE LAMP
LL 16 WHT	GENERATOR SWITCH (START)	GENERATOR (RED)	MJ 14 YEL	CHASSIS WINDSHIELD WIPER FEED CIRCUIT	WIPER CONTROL MODULE (POWER FEED)
LM 16 WHT	GENERATOR SWITCH (STOP)	GENERATOR (ORN)	MK 14 YEL	CHASSIS BATTERY POWER FEED CIRCUIT	GENERAL PURPOSE(CIGAR LIGHTER, DOME/COURTESY LAMPS, ETC)
LN 16 WHT	GENERATOR SWITCH/INDICATOR (GROUND)	GENERATOR (GRN)	ML 16 YEL	CHASSIS INSTRUMENT PANEL LAMPS FEED CIRCUIT	INSTRUMENT PANEL LAMPS
LP 16 YEL	GENERATOR SWITCH/INDICATOR (RUN)	GENERATOR (BLU)	MM 14 YEL	CHASSIS CLEARANCE LAMP CRT #1 (BRN TYPICAL)	CLEARANCE/MARKER LAMPS
LR 14 YEL	BATTERY MODE SWITCH (AUX START SWITCH)	BATTERY MODE SOLENOID (AUX START SOLENOID)	MN 14 WHT	DOME LAMP SWITCHED GROUND	DOME LAMP SWITCH(DOOR JAMB, INSTRUMENT PANEL SWITCH, ETC)
LS 12 YEL	OVERCURRENT PROTECTION 20A BREAKER TYPICAL, COACH FEED	GENERAL PURPOSE(BATTERY MODE, RADIO POWER, BATTERY CONDITION)	MP 18/16 WHT	ELEC STEP DOOR JAMB SWITCH, LP TANK SENDER, ETC	GROUND
LT 16 YEL	BATTERY CONDITION SWITCH	VOLTMETER (POWER FEED)	MR 14 YEL	REAR WINDOW WIPER SWITCH (LOW SPEED)	REAR WINDOW WIPER MOTOR (LOW SPEED)

WIRE IDENTIFICATION CHART

CODE/COLOR	FROM:	TO:	CODE/COLOR	FROM:	TO:
MS 14 WHT	CLEARANCE/MARKER LAMPS	GROUND	NR 16 YEL	LEFT POWER MIRROR (VERTICAL CONTROL, WHT)	POWER MIRROR CONTROL SWITCH
MT 8 WHT	ELECTRIC STEP	GROUND	NS 14 YEL	POWER MIRROR HEATER SWITCH	POWER MIRRORS (RED)
MU 14 WHT	GENERAL PURPOSE(CIGAR LIGHTER, DOME LAMPS,12 V OUTLETS,ETC)	GROUND	NT 14 YEL	POWER MIRROR RELAY	POWER MIRROR CONTROL SWITCH
MW 16 YEL	VEHICLE CHECK ENGINE LAMP CIRCUIT	CHECK ENGINE LAMP	NU 14 YEL	AISLE LAMPS SWITCH #1	AISLE LAMPS SWITCH #2
MX 16 YEL	WINDSHIELD WIPER SWITCH	WIPER RELAY	NW 14 YEL	FRONT COMPARTMENT LAMPS SWITCH	COMPARTMENT LAMPS
MY 14 YEL	VEHICLE HEADLAMP FEED CIRCUIT	DIMMER MODULE	NX 14 YEL	INTERSTATE COMMERCE COMMITTEE COURTESY BLINK SWITCH	CLEARANCE LAMPS
NA 14 YEL	VEHICLE HEADLAMP LOW BEAM CIRCUIT	DIMMER MODULE	NY 14 YEL	AISLE LAMPS SWITCH #1	AISLE LAMPS SWITCH #2
NB 14 YEL	VEHICLE HEADLAMP HIGH BEAM CIRCUIT	DIMMER MODULE	PA 14 WHT	REAR AUTO HEATER	GROUND
NC 14 WHT	COACH LIGHTING CIRCUIT #1 (REF JC)	GROUND	PB 14 WHT	REAR WINDOW WIPER MOTOR	GROUND
ND 14 WHT	COACH LIGHTING CIRCUIT #2 (REF JD)	GROUND	PC 14 YEL	BEDROOM CEILING LAMP SWITCH	BEDROOM CEILING LAMP
NE 14 WHT	COACH LIGHTING CIRCUIT #3 (REF JE)	GROUND	PD 14 YEL	MAKE UP LAMP #1 SWITCH	MAKE UP LAMP #1
NF 14 WHT	COACH LIGHTING CIRCUIT #4 (REF JF)	GROUND	PE 14 YEL	BATH CEILING LAMP SWITCH	BATH CEILING LAMP
NG 16 YEL	FOG LAMPS SWITCH	FOG LAMPS RELAY	PF 14 YEL	SHOWER LAMP SWITCH WIRE D WAS FIRST USED ON C'S	SHOWER LAMP
NH 14 YEL	FOG LAMPS RELAY	FOG LAMPS	PG 14 YEL	WARDROBE LAMP SWITCH	WARDROBE LAMP
NJ 16 YEL	CHASSIS HORN FEED CIRCUIT	AIR HORN SWITCH	PH 14 YEL	AISLE LAMPS SWITCH	AISLE LAMPS
NK 14 YEL	AIR HORN SWITCH	AIR HORN AIR TANK AIR RELEASE VALVE	PJ 14 YEL	PORCH LAMP SWITCH	PORCH LAMP
NL 14 YEL	AR HORN RELAY	AIR HORN AIR COMPRESSOR	PK 14 YEL	STRIP LAMP SWITCH	STRIP LAMP
NM 14 YEL	OVERCURRENT PROTECTION (15A FUSE TYPICAL)	COACH LIGHTING CIRCUIT #6 (REF PM)	PL 14 YEL	FRONT CEILING LAMP SWITCH	FRONT CEILING LAMP
NN 16 YEL	LEFT POWER MIRROR MOTOR (HORIZONTAL CONTROL,YEL)	POWER MIRROR CONTROL SWITCH	PM 14 WHT	COACH LIGHTING CIRCUIT #6 (REF NM)	GROUND

WIRE IDENTIFICATION CHART

CODE/COLOR	FROM:	TO:	CODE/COLOR	FROM:	TO:
PN 16 WHT	RIGHT POWER MIRROR (COMMON, BLK)	POWER MIRROR CONTROL SWITCH	RL 12 WHT	RADIATOR FAN #2	GROUND
PP 16 YEL	RIGHT POWER MIRROR (HORIZONTAL CONTROL, YEL)	POWER MIRROR CONTROL SWITCH	RM 14 WHT	VEHICLE IGNITION SWITCH GROUND DURING START CIRCUIT	BULB CHECK (LOW TAG AIR, PARK BRAKE, ETC)
PR 16 YEL	RIGHT POWER MIRROR (VERTICAL CONTROL, WHT)	POWER MIRROR CONTROL SWITCH	RN 14 YEL	AUTOMOTIVE AIR CONDITIONER THERMOSTAT CUTOFF SWITCH	AUTOMOTIVE AIR CONDITIONER COMPRESSOR CLUTCH
PS 14 YEL	MAP LAMP SWITCH	MAP LAMP	RP 14 YEL	AUTOMOTIVE AIR CONDITIONER COOLANT FAN CONTROL	COOLANT FAN RELAY
PT 14 YEL	BEVERAGE TRAY LAMP SWITCH	BEVERAGE TRAY LAMP	RR 14 YEL	BRAKE LAMP SWITCH	TURN SIGNAL SWITCH
PU 14 YEL	DUMP LAMP SWITCH	DUMP LAMP	RS 14 YEL	HEADLAMP SWITCH INSTRUMENT PANEL LAMP FEED SWITCH	OVERCURRENT PROTECTION (5A FUSE TYPICAL)
PW 14 YEL	OVERCURRENT PROTECTION (15A BREAKER TYPICAL)	POWER DOOR LOCK/UNLOCK RELAY (PIN 30)	RT 14 YEL	HORN RELAY (COMMON)	HORN
PX 16 YEL	POWER DOOR LOCK SWITCH (LOCK) (PIN 1)	POWER DOOR LOCK RELAY (PIN 86)	RU 14 YEL	HORN RELAY (COIL)	HORN SWITCH
PY 16 YEL	POWER DOOR LOCK SWITCH (UNLOCK) (PIN 5)	POWER DOOR UNLOCK RELAY (PIN 86)	RW 14 YEL	HAZARD FLASHER	TURN SIGNAL SWITCH
RA 14 YEL	VEHICLE LEFT FRONT TURN SIGNAL CIRCUIT	LEFT FRONT TURN SIGNAL/MARKER LAMP	RX 14 YEL	EUL WARNING LAMP	EUL MODULE
RB 14 YEL	VEHICLE RIGHT FRONT TURN SIGNAL CIRCUIT	RIGHT FRONT TURN SIGNAL/MARKER LAMP	RY 14 WHT	INSTRUMENT CLUSTER/ EUL MODULE	GROUND
RC 14 WHT	FRONT AUTOMOTIVE LAMPS (TURN, MARKER, ETC)	GROUND	SA 14 YEL	ENGINE WATER TEMPERATURE SENDER	ENGINE WATER TEMPERATURE GAUGE
RD 14 YEL	OVERCURRENT PROTECTION (15 A FUSE TYPICAL)	HAZARD FLASHER, HORN RELAY	SB 14 YEL	ENGINE OIL PRESSURE SENDER	ENGINE OIL PRESSURE GAUGE
RE 12 YEL	RADIATOR FAN RELAY #1 (COMMON)	RADIATOR FAN #1	SC 14 YEL	VEHICLE RIGHT REAR TURN SIGNAL/BRAKE LAMP CIRCUIT	RIGHT REAR TURN SIGNAL/ BRAKE LAMPS
RF 12 YEL	RADIATOR FAN RELAY #2 (COMMON)	RADIATOR FAN #2	SD 14 YEL	VEHICLE LEFT REAR TURN SIGNAL/BRAKE LAMP CIRCUIT	LEFT REAR TURN SIGNAL/ BRAKE LAMPS
RG 14 WHT	RADIATOR FAN THERMOSTAT SWITCH	RADIATOR FAN RELAYS (COILS, TRIGGER)	SE 16YEL(WHT)	SPEED SENSOR (TWISTED PAIR)	SPEEDOMETER AND SPEED CONTROL MODULE
RH 12YEL(BLK)	OVERCURRENT PROTECTION (25A BREAKER TYPICAL)	RADIATOR FAN RELAY #1 (NORMALLY OPEN)	SF 16WHT(BLK)	SPEED SENSOR (TWISTED PAIR)	SPEEDOMETER AND SPEED CONTROL MODULE
RJ 12YEL(BLK)	OVERCURRENT PROTECTION (25A BREAKER TYPICAL)	RADIATOR FAN RELAY #2 (NORMALLY OPEN)	SG 14 YEL	IGNITION SWITCH START FEED	GENERAL (NEUTRAL SAFETY SWITCH, FUEL PUMP RELAY COIL, ETC)
RK 12 WHT	RADIATOR FAN #1	GROUND	SH 14 YEL	IGNITION SWITCH RUN/START FEED	GENERAL (IGNITION COIL RELAY NORMALLY OPEN CONTACT, ETC)

WIRE IDENTIFICATION CHART

CODE/COLOR	FROM:	TO:	CODE/COLOR	FROM:	TO:
SJ 12YEL(BLK)	OVERCURRENT PROTECTION (16GA FUSELINK TYPICAL)	CHASSIS BATTERY FEED	TG 16 YEL	TELEVISION	SPEAKER RIGHT (POSITIVE)
SK 12YEL(WHT)	OVERCURRENT PROTECTION (16GA FUSELINK TYPICAL)	CHASSIS BATTERY HEADLAMP SWITCH FEED #1	TH 16 WHT	TELEVISION	SPEAKER RIGHT (NEGATIVE)
SL 12YEL(BLU)	OVERCURRENT PROTECTION (16GA FUSELINK TYPICAL)	CHASSIS BATTERY IGNITION SWITCH FEED #1	TJ 16 YEL	TELEVISION	SPEAKER LEFT (POSITIVE)
SM 12YEL(BLK)	OVERCURRENT PROTECTION (16GA FUSELINK TYPICAL)	RADIATOR FAN #1 CIRCUIT BREAKER FEED	TK 16 WHT	TELEVISION	SPEAKER LEFT (NEGATIVE)
SN 12YEL(BLK)	OVERCURRENT PROTECTION (16GA FUSELINK TYPICAL)	RADIATOR FAN #2 CIRCUIT BREAKER FEED	TL 16 YEL	FRONT RIGHT TV SPEAKER NEGATIVE,SERIES CONNECTION	FRONT LEFT TV SPEAKER POSITIVE,SERIES CONNECTION
SP 14 YEL	HEADLAMP SWITCH MARKER CIRCUIT FEED	OVERCURRENT PROTECTION (15A FUSE TYPICAL)	TM 16 WHT	STEP COVER SWITCH	STEP COVER SOLENOID MOVES STEP OUT
SR 12YEL(BRN)	IGNITION SWITCH RUN ONLY FEED	OVERCURRENT PROTECTION (15A FUSE TYPICAL)	TN 14 YEL	STARTER SOLENOID BATTERY TERMINAL	ALTERNATOR REGULATOR
SS 12YEL(WHT)	IGNITION SWITCH ACCESSORY FEED	OVERCURRENT PROTECTION (15A FUSE TYPICAL)	TP 14 WHT	REAR AUTOMOTIVE LAMPS(TURN, MARKER,ETC)	GROUND
ST 14 YEL	OVERCURRENT PROTECTION (15A FUSE TYPICAL)	TURNS/BACK UP CIRCUIT FEED	TR 14 YEL	VEHICLE BACK UP CIRCUIT FEED	BACK UP LAMPS
SU	STARTER SOLENOID BATTERY TERMINAL	ALTERNATOR BATTERY TERMINAL	TS 14 YEL	STARTER SOLENOID ( I TERMINAL)	ENGINE WIRING (IGNITION MODULE)
SW 14 YEL	TURN SIGNAL FLASHER	TURN SIGNAL SWITCH	TT 14 YEL	NEUTRAL SAFETY SWITCH	STARTER SOLENOID (S TERMINAL)
SX 14 YEL	REAR WINDOW WASHER SWITCH	REAR WINDOW WASHER BOTTLE PUMP	TU 14 WHT	IGNITION COIL RELAY (COIL)	GROUND
SY 14 YEL	IGNITION COIL	TACHOMETER	TW 14 YEL	IGNITION SWITCH START/RUN FEED	IGNITION COIL
TA 14 YEL	OVERCURRENT PROTECTION (15A FUSE TYPICAL)	IGNITION RUN ONLY GENERAL FEED (RADIATOR FAN RELAY COIL,ETC)	TX 14 YEL	IGNITION COIL RELAY (COMMON)	IGNITION COIL
TB 12 YEL	OVERCURRENT PROTECTION (25A FUSE TYPICAL)	IGNITION RUN ONLY GENERAL FEED (AUTO AC BLOWER(NOT HIGH),ETC)	TY 14 YEL	ALTERNATOR (T TERMINAL)	CHOKE HEATER
TC 14 YEL	OVERCURRENT PROTECTION (15A FUSE TYPICAL)	IGNITION RUN ONLY GENERAL FEED (DOOR LOCKS,REAR WIPER,ETC.)	UA 14 YEL	FUEL PUMP FUSE	OIL PRESSURE CUTOOUT SWITCH/ FUEL PUMP RELAY(NO),ETC
TD 14 YEL	OVERCURRENT PROTECTION (15A FUSE TYPICAL)	CHASSIS BATTERY GENERAL FEED	UB 14 YEL	INERTIA SWITCH (FUEL PUMP SHUTOFF)	FUEL PUMP RELAY (NORMALLY CLOSED)
TE 16 WHT	GENERATOR	GENERATOR LOW OIL INDICATOR LAMP	UC 14 YEL	FUEL PUMP RELAY (COMMON)	FUEL PUMP
TF 16 YEL	GENERATOR	GENERATOR LOW OIL INDICATOR LAMP	UD 16 WHT	FUEL GAUGE	FUEL SENDER

WIRE IDENTIFICATION CHART

CODE/COLOR	FROM:	TO:	CODE/COLOR	FROM:	TO:
UE 14 YEL	INERTIA SWITCH (FUEL PUMP SHUTOFF)	OIL PRESSURE CUTOFF SWITCH	WC 14 YEL	DDVRCURRENT PROTECTION (15A BREAKER TYPICAL)	COMPARTMENT LAMPS (REF WE)
UF 14 WHT	FUEL PUMP	GROUND	WD 14 WHT	AISLE LAMPS	GROUND
UG 14 WHT	FUEL PUMP RELAY (COIL)	GROUND	WE 14 WHT	COMPARTMENT LAMPS (REF WC)	GROUND
UH 16 YEL	LP DETECTOR (SHUTOFF SYSTEM, YEL)	LP SAFETY VALVE	WF 12YEL(WHT)	OVERCURRENT PROTECTION (30A BREAKER TYPICAL)	PARK BRAKE COMPRESSOR SOENOID
UJ 16 YEL	LP DETECTOR (SHUTOFF SYSTEM, YEL)	LP SAFETY SWITCH	WG 12YEL(BLK)	OVERCURRENT PROTECTION (30A BREAKER TYPICAL)	IGNITION RELAY
UK 16 WHT	LP DETECTOR (BLK)(REF WB)	GROUND	WH 14 YEL	OVERCURRENT PROTECTION (15A BREAKER TYPICAL)	IGNITION SWITCH RUN ONLY FEED
UL 16 WHT	EUL LAMP	EUL MODULE	WJ 12 YEL	OVERCURRENT PROTECTION (20A BREAKER TYPICAL)	IGNITION SWITCH ACCESSORY FEED RELAY
UM 16 WHT	DOOR JAMB DOME LAMP SWITCH	GROUND	WK 14 YEL	OVERCURRENT PROTECTION (15A BREAKER TYPICAL)	IGNITION SWITCH ACCESSORY FEED
UN 16 WHT	SEAT BELT LAMP	EUL MODULE	WL 14 YEL	POWER DOOR LOCK RELAY (PIN 30)	POWER DOOR LOCK MOTOR(S) (LOCK)
UP 16 YEL	SEAT BELT LAMP	SEAT BELT BUZZER	WM 14 WHT	POWER DOOR UNLOCK RELAY (PIN 30)	POWER DOOR LOCK MOTOR(S) (UNLOCK)
UR 16 WHT	PARK BRAKE SWITCH	PARK BRAKE LAMP	WN 16 YEL	RADIO POWER SWITCH (ACCESSORY POWER)	DASH RADIO (ACCESSORY POWER)
US 16 YEL	OVERCURRENT PROTECTION (6A BREAKER TYPICAL)	COACH BATTERY FEED TO BATTERY CONDITION SWITCH	WP 10 YEL	OVERCURRENT PROTECTION (25A BREAKER TYPICAL)	FRONT PANEL LOADS(INVERTER, RADIO)(96 M-SERIES)
UT 14 YEL	DOOR JAMB DOME LAMP SWITCH (SWITCH POSITIVE)	DOME LAMP	WR 14 YEL	OVERCURRENT PROTENTION (15A BREAKER TYPICAL)	POWER SEAT LIFT SWITCH
UU 16 YEL	WATER HEATER	VACUUM VALVE SOLENOID	WS 14 WHT	POWER SEAT LIFT SWITCH	GROUND
UW 16 WHT	VACUUM VALVE SOLENOID	GROUND	WT 14 YEL	POWER SEAT LIFT SWITCH (UP)	MOTOR (POSITIVE UP)
UX 16 YEL	LP DETECTOR #2 (SHUTOFF SYSTEM, YEL)	LP SAFETY VALVE	WU 14 WHT	POWER SEAT LIFT SWITCH (DOWN)	MOTOR (POSITIVE DOWN)
UY 16 YEL	LP DETECTOR #2 (SHUTOFF SYSTEM, YEL)	LP SAFETY VALVE	WW 14 WHT	SPOT LAMP SWITCH	GROUND
WA 14 YEL	EXTERIOR SERVICE LAMP SWITCH	EXTERIOR SERVICE LAMP	WX 14 YEL	HALLWAY CEILING LAMP SWITCH	HALLWAY CEILING LAMP
WB 16 YEL	OVERCURRENT PROTECTION (6A BREAKER TYPICAL)	LP DETECTOR (REF UK)	WY 10 WHT	AUTOMOTIVE AIR CONDITIONER MOTOR	GROUND

WIRE IDENTIFICATION CHART

CODE/COLOR	FROM:	TO:	CODE/COLOR	FROM:	TO:
XA 12/10 YEL	VEHICLE AUTOMOTIVE AIR FEED CIRCUIT	AUTOMOTIVE AIR CONDITIONER BLOWER (USE 10 IF OVER 6')	XX 14 YEL	GALLEY LAMP SWITCH	GALLEY LAMP
XB 14 YEL	DRIVER'S DOOR POWER WINDOW SWITCH(PIN 5)	DRIVER'S DOOR POWER WINDOW MOTOR(POSITIVE UP)	XY 14 YEL	MAKE UP LAMP #2 SWITCH	MAKE UP LAMP #2
XC 14 WHT	DRIVER'S DOOR POWER WINDOW SWITCH(PIN 1)	DRIVER'S DOOR POWER WINDOW MOTOR(POSITIVE DOWN)	YA 14 YEL	TAG AXLE PRESSURE CONTROL SWITCH	COMPRESSOR SOLENOID/ SOLENOID AIR VALVE
XD 16 WHT	MONITOR PANEL	HOLDING TANK LEVEL SENSOR (FULL)	YB 14 WHT	LOW AIR PRESSURE SWITCH	GROUND
XE 16 WHT	MONITOR PANEL	HOLDING TANK LEVEL SENSOR (3/4)	YC 10YEL(BLU)	OVERCURRENT PROTECTION (30A BREAKER TYPICAL)	TAG AXLE COMPRESSOR SOLENOID
XF 16 WHT	MONITOR PANEL	HOLDING TANK LEVEL SENSOR (1/2)	YD 14 WHT	TAG AXLE MOUNTING PLATE SCREW	GROUND
XG 16 WHT	MONITOR PANEL	HOLDING TANK LEVEL SENSOR (1/4)	YE 10 WHT	TAG AXLE COMPRESSOR	GROUND
XH 16 YEL	MONITOR PANEL	WATER TANK LEVEL SENSOR	YF 12 WHT	TAG AXLE BRAKE CONTROL MODULE/BRAKE MAGNET	GROUND
XJ 16 YEL	MONITOR PANEL	BLACK HOLDING LEVEL SENSOR (MAIN TANK)	YG 12YEL(BLK)	OVERCURRENT PROTECTION (20A BREAKER TYPICAL)	TAG AXLE BRAKE CONTROL MODULE
XK 16 YEL	MONITOR PANEL	GRAY AUXILIARY HOLDING TANK #1 LEVEL SENSOR (AUX TANK #1)	YH 12YEL(BLU)	TAG AXLE BRAKE CONTROL MODULE	TAG AXLE BRAKE MAGNET
XL 16 YEL	MONITOR PANEL	GRAY AUXILIARY HOLDING TANK #2 LEVEL SENSOR (AUX TANK #2)	YJ 10YEL(WHT)	TAG AXLE COMPRESSOR SOLENOID	TAG AXLE COMPRESSOR
XM 14 YEL	OVERCURRENT PROTECTION (18GA FUSELINK TYPICAL)	IGNITION START RELAY	YK 14 YEL	BEDROOM CEILING LAMP SWITCH#1 (2 SWITCH SYSTEM)	BEDROOM CEILING LAMP SWITCH #2 (2 SWITCH SYSTEM)
XN 16 YEL	FRONT ROOF AIR CONDITIONER (EXHAUST)	THERMOSTAT (EX TERMINAL)	YL 14 YEL	BEDROOM CEILING LAMP SWITCH #1 (2 SWITCH SYSTEM)	BEDROOM CEILING LAMP SWITCH #2 (2 SWITCH SYSTEM)
XP 16 YEL	FRONT ROOF AIR CONDITIONER (COOL)	THERMOSTAT (Y TERMINAL)(Y EXPORT AIR)	YM 14 YEL	HALLWAY CEILING LAMP SWITCH #1 (2 SWITCH SYSTEM)	HALLWAY CEILING LAMP SWITCH #2 (2 SWITCH SYSTEM)
XR 16 YEL	FRONT ROOF AIR CONDITIONER (HIGH SPEED BLOWER)	THERMOSTAT (GH TERMINAL)(H EXPORT AIR)	YN 14 YEL	HALLWAY CEILING LAMP SWITCH #1 (2 SWITCH SYSTEM)	HALLWAY CEILING LAMP SWITCH #2 (2 SWITCH SYSTEM)
XS 16 YEL	FRONT ROOF AIR CONDITIONER (LOW SPEED BLOWER)	THERMOSTAT (GL TERMINAL)(G EXPORT AIR)	YP 14 YEL	VALANCE LAMP SWITCH #1 (3 WAY SWITCH)	VALANCE LAMP SWITCH #2 (3 WAY SWITCH)
XT 14 YEL	IGNITION START RELAY #1 (NORMALLY CLOSED CONTACT)	IGNITION START RELAY #2 (COMMON CONTACT)	YR 14 YEL	VALANCE LAMP SWITCH #1 (3 WAY SWITCH)	VALANCE LAMP SWITCH #2 (3 WAY SWITCH)
XU 14 YEL	DINETTE OVHD LAMP SWITCH	DINETTE OVHD LAMP	YS 14 YEL	VALANCE LAMP SWITCH	VALANCE LAMP
XW 14 WHT	IGNITION SWITCH ACCESSORY FEED RELAY CIRCUIT	GROUND	YT 14 YEL	FRONT VALANCE LAMP SWITCH	FRONT VALANCE LAMP

WIRE IDENTIFICATION CHART

CODE/COLOR	FROM:	TO:	CODE/COLOR	FROM:	TO:
YU 14 YEL	REAR VALANCE LAMP SWITCH	REAR VALANCE LAMP	AAS 16 YEL	SPEAKER (NEGATIVE) SPEAKERS IN SERIES	SPEAKER (POSITIVE)
YW 14 WHT	DOOR BELL SWITCH	DOOR BELL	AAT 16 YEL	AMPLIFIER POSITIVE OUT (AAU NEGATIVE)	FRONT WOOFER (WITH DELUXE SOUND SYSTEM)
YX 14 YEL	IGNITION SWITCH RUN/START FEED	ALTERNATOR WARNING LAMP	AAU 16 WHT	AMPLIFIER NEGATIVE OUT (AAT POSITIVE)	FRONT WOOFER (WITH DELUXE SOUND SYSTEM)
YY 14 YEL	ALTERNATOR VOLTAGE REGULATOR	ALTERNATOR WARNING LAMP	AAW 16 YEL	AMPLIFIER POSITIVE OUT (AAX NEGATIVE)	REAR WOOFER (WITH DELUXE SOUND SYSTEM)
AAA 16 WHT	STEP COVER SWITCH (REF GX)	STEP COVER SOLENOID MOVES STEP IN	AAX 16 WHT	AMPLIFIER NEGATIVE OUT (AAW POSITIVE)	REAR WOOFER (WITH DELUXE SOUND SYSTEM)
AAB 14 YEL	DINETTE READING LAMPS	DINETTE READING LAMP SWITCH	AAY 12 YEL	SLIDEOUT ROOM CONTROL SWITCH (RAM #1)	SLIDEOUT DRIVE MOTOR LEAD #1
AAC 14 YEL	LOUNGE READING LAMPS	LOUNGE READING LAMP SWITCH	AAZ 12 YEL	SLIDEOUT ROOM CONTROL SWITCH (RAM #1)	SLIDEOUT DRIVE MOTOR LEAD #2
AAD 14 YEL	FORD CHASSIS TRAILER MARKER LAMP CIRCUIT (BR/WHT)	TRAILER CONNECTOR SOCKET MARKER LAMPS	BBA 16 WHT	SLIDEOUT WIRING (PARK BRAKE SW)(SWITCHED GRD)	SLIDEOUT ROOM RELAY (GROUND TERMINAL)
AAE 14 YEL	FORD CHASSIS TRAILER BACKUP LAMP CIRCUIT (BLK/LT GRN)	TRAILER CONNECTOR SOCKET BACKUP LAMPS	BBB 16 YEL	SLIDEOUT ROOM CIRCUIT BREAKER (6 AMP)	SLIDEOUT ROOM RELAY (PIN 86 & 87)
AAF 14 YEL	FORD CHASSIS TRAILER LEFT TURN/BRAKE LAMP CIRCUIT (YEL)	TRAILER CONNECTOR SOCKET LEFT TURN/BRAKE LAMP	BBC 16 YEL	LOAD SHEDDER MONITOR PANEL (RED WIRE)	LOAD SHEDDER CONTROL BOARD (RED WIRE)
AAG 14 YEL	FORD CHASSIS TRAILER RIGHT TURN/BRAKE LAMP CIRCUIT (DKG)	TRAILER CONNECTOR SOCKET RIGHT TURN/BRAKE LAMP	BBD 16 YEL	LOAD SHEDDER MONITOR PANEL (BLUE WIRE)	LOAD SHEDDER CONTROL BOARD (BLUE WIRE)
AAH 14 YEL	BATH-VENT, POWER	BATH-VENT, THERMOSTAT	BBE 16 YEL	LOAD SHEDDER MONITOR PANEL (BLACK WIRE)	LOAD SHEDDER CONTROL BOARD (BLACK WIRE)
AAJ 14 YEL	BATH-VENT, POWER	BATH-VENT, THERMOSTAT	BBF 16 YEL	LOAD SHEDDER MONITOR PANEL (GRAY WIRE)	LOAD SHEDDER CONTROL BOARD (GRAY WIRE)
AAK 16 WHT	SWITCH-WATER PUMP (MULTIPLEX SYSTEM)	LATCHING RELAY (WITH 4 OR MORE SWITCHES)	BBG 14 YEL	DINETTE CEILING LAMP SWITCH	DINETTE CEILING LAMP
AAL 16 WHT	SWITCH-WATER PUMP (MULTIPLEX SYSTEM)	GROUND	BBH 16 YEL	REAR COMPRESSOR SIGNAL REAR THERMOSTAT	LOAD SHEDDER CONTROL BOARD
AAM 14 YEL	CHASSIS SUPPLIED WIRE ASM (DARK BLUE) (GM)	RIGHT TAIL LAMP PARK (WIE)	BBJ 16 YEL	LOAD SHEDDER CONTROL BOARD	REAR A/C (COOL)
AAN 14 YEL	CHASSIS SUPPLIED WIRE ASM (PURPLE) (GM)	LEFT TAIL LAMP PARK (WIE)	BBK 12 WHT	JET AIR/TAG AXLE WIRING	GROUND, CHASSIS
AAP 10 YEL	55 AMP BREAKER JUMPER WIRE	30 AMP BREAKER	BBL 14 YEL	OVHD SWITCH	OVHD HALOGEN LAMPS
AAR 14 YEL	TV/RADIO SPEAKER FEED SELECTOR SWITCH	TV SPEAKER AMPLIFIER	BBM 16 YEL	SLIDEOUT ROOM SWITCH (ROOM TWO EXTEND)	HWH WIRING (ROOM TWO EXTEND)



WIRE IDENTIFICATION CHART

CODE/COLOR	FROM:	TO:	CODE/COLOR	FROM:	TO:
BBN 16 YEL	SLIDEOUT ROOM SWITCH (ROOM TWO RETRACT)	HWH WIRING (ROOM TWO RETRACT)	CCK 14 YEL	COMPARTMENT LAMP SWITCH	COMPARTMENT LAMP
BBP 14 YEL	ICC COURTESY BLINK SWITCH	ICC COURTESY BLINK RELAY	CCL 14 YEL	COMPARTMENT LAMP SWITCH	COMPARTMENT LAMP
BBR 14 YEL	ICC COURTESY BLINK RELAY	CLEARANCE LAMPS	CCM 14 YEL	COMPARTMENT LAMP SWITCH	COMPARTMENT LAMP
BBS 14 YEL	CHASSIS FUSE PANEL	ICC COURTESY BLINK RELAY	CCN 16 YEL	THERMOSTATE LOW SPEED FAN SIGNAL	CENTRAL AIR AND LOAD SHEDDER
BBT 14 YEL	DOCKING LAMP SWITCH TRIGGER RELAY	DOCKING LAMP SWITCH	CCP 16 YEL	LOAD SHEDDER COMPRESSOR TWO CONTROL RELAY	CENTRAL A/C COMPRESSOR TWO
BBU 12 YEL	DOCKING LAMP CIRCUIT BREAKER	DOCKING LAMP RELAY	CCR 14 YEL	SWITCH-MONITOR PANEL (IN EXT. WATER CENTER)	EXTERIOR MONITOR PANEL (IN EXT. WATER CENTER)
BBW 14 YEL	VEHICLE LEFT HEADLAMP LOW BEAM CIRCUIT	LEFT LOW BEAM LAMP	CCS 16 YEL	NOISE FILTER	RADIO POWER INPUT
BBX 14 YEL	VEHICLE RIGHT HEADLAMP LOW BEAM CIRCUIT	RIGHT LOW BEAM LAMP	CCT 16 YEL	REAR RIGHT TV SPEAKER NEGATIVE,SERIES CONNECTION	REAR LEFT TV SPEAKER POSITIVE,SERIES CONNECTION
BBY 14 YEL	SWITCH-MONITOR PANEL (IN EXT. WATER CENTER)	EXTERIOR MONITOR PANEL (IN EXT. WATER CENTER)	CCU 16 YEL	GM DOME LAMP POWER	DOMELAMP
BBZ 14 YEL	OVERCURRENT PROTECTION (15A FUSE/BREAKER TYPICAL)	AUXILIARY FURNACE (CCA)	CCW 12 YEL	DUAL MODE SOLENOID (CHASSIS SIDE)	FUSE HOLDER (30 AMP)
CCA 14 WHT	AUXILIARY FURNACE	GROUND	CCX 16 YEL	ORG WIRE ON AIR COMPRESSOR	AIR PRESSURE SWITCH ON AIR TANK
CCB 16 YEL	EXTERIOR MONITOR PANEL	WATER TANK LEVEL SENSOR	CCY 16 YEL	HWH WIRING (BATTERY POWER)	SLIDEOUT ROOM SWITCH (POSITIVE)
CCC 16 YEL	EXTERIOR MONITOR PANEL	MAIN HOLDING TANK LEVEL SENSOR	CCZ 16 YEL	HWH WIRING (SWITCHED BATTERY POWER)	SLIDEOUT ROOM #1 SWITCH (POSITIVE)
CCD 16 YEL	EXTERIOR MONITOR PANEL	AUX HOLDING TANK LEVEL SENSOR	DDA 16 YEL	HWH WIRING (PUMP RELAY CONTROL)	SLIDEOUT ROOM SWITCH (POSITIVE)
CCE 14 YEL	COMPARTMENT LAMP SWITCH	COMPARTMENT LAMP	DDB 14 YEL	REAR AUTO HEATER CIRCUIT BREAKER	REAR AUTO HEATER RELAY (POWER)
CCF 14 YEL	COMPARTMENT LAMP SWITCH	COMPARTMENT LAMP	DDC 14 YEL	REAR AUTO HEATER RELAY (SWITCHED POWER)	REAR AUTO HEATER SWITCH (COMMON TERMINAL)
CCG 14 YEL	COMPARTMENT LAMP SWITCH	COMPARTMENT LAMP	DDD 14 YEL	MODULE-CHARGE CONTROL RELAY OUTPUT	AUX-START SOLENOID RELAY
CCH 14 YEL	COMPARTMENT LAMP SWITCH	COMPARTMENT LAMP	DDE 14 YEL	AUX-START SOLENOID RELAY	AUX-START SOLENOID
CCJ 14 YEL	COMPARTMENT LAMP SWITCH	COMPARTMENT LAMP	DDF 10 YEL	HEATER BLOWER CIRCUIT BREAKER	HEATER BLOWER RELAY

WIRE IDENTIFICATION CHART

CODE/COLOR	FROM:	TO:	CODE/COLOR	FROM:	TO:
DDG 10 YEL	CIRCUIT BREAKER BUSS BAR	CHASSIS BATTERY FEED CIRCUIT BREAKER	EEC 12 YEL	25 AMP BREAKER IN 12 VOLT PANEL	SOFA RECLINER SWITCH SOFA 4-WAY RECLINER
DDH 14 YEL	FREIGHTLINER RUN ONLY TRIGGER CIRCUIT	HEATER BLOWER RELAY	EED 12 WHT	SOFA RECLINER SWITCH SOFA 4-WAY RECLINER	GROUND
DDJ 16 WHT	CHASSIS PARKING BRAKE TRIGGER CIRCUIT	LEVELING SYSTEM PARKING BRAKE SENSOR WIRE	EEE 14 YEL	OVERCURRENT PROTECTION (15A BREAKER TYPICAL)	12V POWER JACK
DDK 16 YEL	HWH WIRING (PUMP RELAY CONTROL)	REAR SLIDEOUT ROOM SWITCH (POSITIVE)	EEF 14 WHT	12V POWER JACK	GROUND
DDL 14 WHT	FRONT LEFT AUTOMOTIVE LAMPS	GROUND	EEG 12 WHT	POWER COMPT DOOR LOCK RELAYS (RIGHT SIDE)	GROUND
DDM 14 WHT	FRONT RIGHT AUTOMOTIVE LAMPS	GROUND	EEH 12 YEL	SOFA RECLINER SWITCH EXTEND	SOFA RECLINER MOTOR SOFA 4-WAY
DDN 16 YEL	TIMER MODULE	CHECK ANTENNA LIGHT	EEJ 12 YEL	SOFA RECLINER SWITCH RETRACT	SOFA RECLINER MOTOR SOFA 4-WAY
DDP 12 YEL	OVERCURRENT PROTECTION (20A BREAKER TYPICAL)	INVERTER FEED (INVERTER NUMBER 2)	EEK 18 YEL	AUDIO AMPLIFIER	LH FRT SPKR (+)
DDR 12 WHT	INVERTER (INVERTER NUMBER 2)	GROUND	EEL 18 WHT	AUDIO AMPLIFIER	LH FRT SPKR (-)
DDS 12 WHT	INVERTER CHASSIS (INVERTER NUMBER 2)	GROUND	EEM 18 YEL	AUDIO AMPLIFIER	RH FRT SPKR (+)
DDT 12 YEL	POWER COMPT DOOR LOCK RELAY (RIGHT SIDE)	POWER COMPT DOOR LOCK MOTOR(S) (RIGHT SIDE)	EEN 18 WHT	AUDIO AMPLIFIER	RH FRT SPKR (-)
DDU 12 WHT	POWER COMPT DOOR UNLOCK RELAY (RIGHT SIDE)	POWER COMPT LOCK MOTOR(S) (UNLOCK) (RIGHT SIDE)	EEP 18 YEL	AUDIO AMPLIFIER	LH RR SPKR (+)
DDV 12 YEL	POWER COMPT DOOR LOCK RELAY (LEFT SIDE)	POWER COMPT LOCK MOTOR(S) (LOCK) (LEFT SIDE)	EER 18 WHT	AUDIO AMPLIFIER	LH RR SPKR (-)
DDW 12 WHT	POWER COMPT DOOR UNLOCK RELAY (LEFT SIDE)	POWER COMPT LOCK MOTOR(S) (UNLOCK) (LEFT SIDE)	EES 18 YEL	AUDIO AMPLIFIER	RH RR SPKR (+)
DDX 12 YEL	OVERCURRENT PROTECTION (20A BREAKER TYPICAL)	POWER COMPT DOOR LOCK/ UNLOCK RELAY (RIGHT SIDE)	EET 18 WHT	AUDIO AMPLIFIER	RH RR SPKR (-)
DDY 12 YEL	OVERCURRENT PROTECTION (20A BREAKER TYPICAL)	POWER COMPT DOOR LOCK/ UNLOCK RELAY (LEFT SIDE)	EEU 18 YEL	AUDIO AMPLIFIER	CTR CHANNEL SPKR (+)
DDZ 12 YEL	POWER COMPT DOOR LOCK SWITCH (LOCK) (PIN 1)	POWER COMPT DOOR LOCK RELAY (PIN 86)	EEW 18 WHT	AUDIO AMPLIFIER	CTR CHANNEL SPKR (-)
EEA 12 WHT	POWER COMPT DOOR LOCK SWITCH (UNLOCK) (PIN 5)	POWER COMPT DOOR UNLOCK RELAY (PIN 86)	EEX 12/10 YEL	PASSENGER AUTO A/C FEED CIRCUIT	PASSENGER AUTO A/C BLOWER (USE 10 IF OVER 6')
EEB 12 WHT	POWER COMPT DOOR LOCK RELAYS (LEFT SIDE)	GROUND	EY 10 WHT	PASSENGER AUTO A/C MOTOR	GROUND

WIRE IDENTIFICATION CHART

CODE/COLOR	FROM:	TO:	CODE/COLOR	FROM:	TO:
EEZ 12/10 YEL	OVERCURRENT PROTECTION (30A BREAKER TYPICAL)	PASSENGER HI-SPEED HEATER FAN (USER 10 IF OVER 6')	FFV 16 YEL	AWNING SELECTOR SWITCH (PATIO AWNING)	AWNING CONTROL SWITCH (PATIO AWNING)
FFA 10 YEL	PASSENGER HEATER BLOWER CIRCUIT BREAKER	PASSENGER HEATER BLOWER RELAY	FFW 14 YEL	LOUNGE LAMPS SWITCH #1	LOUNGE LAMPS SWITCH #2
FFB 10 YEL	OVERCURRENT PORTECTION (30A BREAKER TYPICAL)	POWER LOUNGE CHAIR	FFX 14 YEL	LOUNGE LAMPS SWITCH #1	LOUNGE LAMPS SWITCH #2
FFC 10 WHT	POWER LOUNGE CHAIR	GROUND	FFY 14 YEL	CEILING FAN SWITCH	CEILING FAN
FFD 12 YEL	OVERCURRENT PROTECTION (30A BREAKER TYPICAL)	AWNING CONTROL BOX (12V POSITIVE)	FFZ 14 YEL	OVERCURRENT PROTECTION (15A FUSE/BREAKER TYPICAL)	COACH LIGHTING,ETC CIRCUIT #7 (REF GGA)
FFE 12 WHT	AWNING CONTROL BOX	GROUND	GGA 14 WHT	COACH LIGHTING (REF-FFZ)	GROUND
FFF 12 YEL	AWNING CONTROL BOX	DOOR AWNING (MOTOR POSITIVE)	GGB 14 YEL	POWER LIFT VENT	POWER LIFT SWITCH (UP)
FFG 12 WHT	DOOR AWNING (MOTOR GROUND)	AWNING CONTROL BOX	GGC 14 YEL	POWER LIFT VENT	POWER LIFT SWITCH (DOWN)
FFH 12 YEL	AWNING CONTROL BOX	PATIO AWNING (MOTOR POSITIVE)	GGD 16 YEL	CONTROL MODULE (LEFT FRONT SLIDE)(STOP)	SLIDEOUT SWITCH (LEFT FRONT SLIDE)
FFJ 12 WHT	PATIO AWNING (MOTOR GROUND)	AWNING CONTROL BOX	GGE 16 YEL	CONTROL MODULE (LEFT FRONT SLIDE)(GREEN LED)	SLIDEOUT SWITCH (LEFT FRONT SLIDE)
FFK 16 YEL	AWNING CONTROL BOX	DOOR AWNING SWITCH (EXTEND)	GGF 16 YEL	CONTROL MODULE (LEFT FRONT SLIDE)(RED LED)	SLIDEOUT SWITCH (LEFT FRONT SLIDE)
FFL 16 YEL	DOOR AWNING SWITCH (COMMON)	AWNING CONTROL BOX	GGG 16 YEL	CONTROL MODULE (LEFT FRONT SLIDE)(SIGNAL)	LEFT FRONT SLIDE,FRONT RAM (ENCODER)
FFM 16 YEL	AWNING CONTROL BOX	DOOR AWNING SWITCH (RETRACT)	GGH 16 YEL	CONTROL MODULE (LEFT FRONT SLIDE)(+)	LEFT FRONT SLIDE,FRONT RAM (ENCODER)
FFN 16 YEL	AWNING CONTROL BOX	PATIO AWNING SWITCH (EXTEND)	GGJ 16 WHT	CONTROL MODULE (LEFT FRONT SLIDE)(-)	LEFT FRONT SLIDE,FRONT RAM (ENCODER)
FFP 16 YEL	PATIO AWNING SWITCH (COMMON)	AWNING CONTROL BOX	GGK 16 YEL	CONTROL MODULE (LEFT FRONT SLIDE)(SIGNAL)	LEFT FRONT SLIDE,REAR RAM (ENCODER)
FFR 16 YEL	AWNING CONTROL BOX	PATIO AWNING SWITCH (RETRACT)	GGL 16 YEL	CONTROL MODULE (LEFT FRONT SLIDE)(+)	LEFT FRONT SLIDE,REAR RAM (ENCODER)
FFS 14 WHT	RELAY (PIN 30)	AWNING CONTROL BOX	GGM 16 WHT	CONTROL MODULE (LEFT FRONT SLIDE)(-)	LEFT FRONT SLIDE,REAR RAM (ENCODER)
FFT 14 WHT	PATIO AWNING SWITCH	AWNING CONTROL BOX	GGN 12 YEL	CONTROL MODULE (RAM #2)	SLIDEOUT ACTUATOR DRIVE LEAD #1
FFU 16 YEL	AWNING SELECTOR SWITCH (DOOR AWNING)	AWNING CONTROL SWITCH (DOOR AWNING)	GGP 12 YEL	CONTROL MODULE (RAM #2)	SLIDEOUT ACTUATOR DRIVE LEAD #2

WIRE IDENTIFICATION CHART

CODE/COLOR	FROM:	TO:	CODE/COLOR	FROM:	TO:
GGR 16 YEL	FRONT ROOF HEAT PUMP	THERMOSTAT (W TERMINAL)	HHL 14 YEL	DRIVER'S POWER SUNVISOR SWITCH	DRIVER'S POWER SUNVISOR
GGS 16 YEL	REAR ROOF HEAT PUMP	THERMOSTAT (W TERMINAL)	HHM 14 YEL	PASS POWER SUNVISOR SWITCH	PASS POWER SUNVISOR
GGT 12 YEL	SOFA RECLINER SWITCH EXTEND	SOFA RECLINER MOTOR SOFA 4-WAY	HHN 14 YEL	PASS POWER SUNVISOR SWITCH	PASS POWER SUNVISOR
GGU 12 YEL	SOFA RECLINER SWITCH RETRACT	SOFA RECLINER MOTOR SOFA 4-WAY	HHP 14 YEL	HOT WATER HEAT CONTROL BOARD (F1)	ZONE 1 FAN SPEED SWITCH
GGV 14 WHT	GPS (BLACK WIRE)	GROUND	HHR 14 YEL	ZONE 1 FAN SPEED SWITCH	ZONE 1 HEATER FAN
GGW 16 YEL	GPS (GREEN/WHITE WIRE)	VEHICLE SPEED SENSOR (CHASSIS SUPPLIED)	HHS 16 YEL	HOT WATER HEAT CONTROL BOARD (TC)	ZONE 2 & 3 THERMOSTAT
GGX 14 YEL	10 OHM RESISTOR *	BEDROOM CEILING FAN (LOW SPEED)	HHT 16 YEL	HOT WATER HEAT CONTROL BOARD (T2)	ZONE 2 THERMOSTAT
GGY 14 YEL	BATHROOM VENT SWITCH	BATHROOM VENT	HHU 14 YEL	HOT WATER HEAT CONTROL BOARD (F2)	ZONE 2 FAN SPEED SWITCH
GGZ 14 YEL	BEDROOM VENT SWITCH	BEDROOM VENT	HHV 14 YEL	ZONE 2 FAN SPEED SWITCH	ZONE 2 HEATER FAN
HHA 14 YEL	OVERCURRENT PROTECTION (15A FUSE/BREAKER TYPICAL)	COACH VENTS/LAMPS (REF HHB)	HHW 16 YEL	HOT WATER HEAT CONTROL BOARD (T3)	ZONE 3 THERMOSTAT
HHB 14 WHT	COACH VENTS/LAMPS (REF HHA)	GROUND	HHX 14 YEL	HOT WATER HEAT CONTROL BOARD (F3)	ZONE 3 HEATER FAN
HHC 12 YEL	STEP COVER SWITCH	STEP COVER MOTOR (+)RETRACT, (-)EXTEND	HHY 16 WHT	AWNING CONTROL BOX	WIND SENSOR (NEGATIVE)
HHD 12 YEL	STEP COVER SWITCH	STEP COVER MOTOR (-)EXTEND, (+)RETRACT	HHZ 16 YEL	AWNING CONTROL BOX	WIND SENSOR (POSITIVE)
HHE 16 YEL	SLIDEOUT ROOM SWITCH (ROOM THREE EXTEND)	HWH WIRING (ROOM THREE EXTEND)	JJA 16 YEL	AWNING CONTROL BOX	WIND SENSOR TEMPERATURE OUTPUT
HHF 16 YEL	SLIDEOUT ROOM SWITCH (ROOM THREE RETRACT)	HWH WIRING (ROOM THREE RETRACT)	JJB 16 YEL	AWNING CONTROL BOX	WIND SENSOR SPEED OUTPUT
HHG 16 YEL	SLIDEOUT ROOM SWITCH (ROOM FOUR EXTEND)	HWH WIRING (ROOM FOUR EXTEND)	JJC 14 YEL	ENGINE HEATER CIRCULATING PUMP SWITCH	HOT WATER HEAT CONTROL PANEL (BLU/BLK WIRE)
HHH 16 YEL	SLIDEOUT ROOM SWITCH (ROOM FOUR RETRACT)	SLIDEOUT ROOM SWITCH (ROOM FOUR RETRACT)	JJD 10 YEL	OVERCURRENT PROTECTION (25 FUSE TYPICAL)	HOT WATER HEAT CONTROL BOARD
HHJ 14 YEL	110V WATER HEATER TRIGGER SWITCH	WATER HEATER RELAY	JJE 10 WHT	HOT WATER HEAT CONTROL BOARD	GROUND
HHK 14 YEL	DRIVER'S POWER SUNVISOR SWITCH	DRIVER'S POWER SUNVISOR	JJF 14 YEL	SATELLITE POWER SWITCH	SATELLITE-AUTO SEEK

WIRE IDENTIFICATION CHART

CODE/COLOR	FROM:	TO:	CODE/COLOR	FROM:	TO:
JJG 12 YEL	OVERCURRENT PROTECTION (20 AMP BREAKER TYPICAL)	SLIDEOUT ROOM CONTROL SWITCH (RAM #3)	KKC 12 YEL	POWER SEAT RELAY	POWER SEAT (HEATER)
JJH 12 WHT	SLIDEOUT ROOM CONTROL SWITCH (RAM #3)	GROUND	KKD 16 YEL	CONFIRMATION EMERGENCY SHUT OFF SWITCH (IN COACH)	EMERGENCY SHUT OFF SWITCH (ON REMOTE FILL BRACKET)
JJJ 12 YEL	SLIDEOUT ROOM CONTROL SWITCH (RAM #3)	SLIDEOUT DRIVE MOTOR LEAD #1	KKE 16 YEL	EMERGENCY SHUT OFF SWITCH (ON REMOTE FILL BRACKET)	EMERGENCY SHUT OFF SOLENOID (ON LP TANK)
JJK 12 YEL	SLIDEOUT ROOM CONTROL SWITCH (RAM #3)	SLIDEOUT DRIVE MOTOR LEAD #2	KKF 6 BLK	BATTERY DISCONNECT RELAY	COACH BUSS BAR
JJL 12 YEL	OVERCURRENT PROTECTION (20 AMP BREAKER TYPICAL)	SLIDEOUT ROOM CONTROL SWITCH (RAM #2)	KKG 8 BLK	BATTERY MODE SOLENOID	CHASSIS BUSS BAR
JJM 16 YEL	HWH WIRING (SWITCHED BATTERY POWER)	SLIDEOUT ROOM SWITCH #2 (SWITCHED EXTEND/RETRACT PWR)	KKH 14 YEL	EXTERIOR SERVICE LAMP SWITCH #1	EXTERIOR SERVICE LAMP SWITCH #2
JJN 16 YEL	HWH WIRING (SWITCHED BATTERY POWER)	SLIDEOUT ROOM SWITCH #3 (SWITCHED EXTEND/RETRACT PWR)	KKJ 14 YEL	EXTERIOR SERVICE LAMP SWITCH #1	EXTERIOR SERVICE LAMP SWITCH #2
JJP 16 YEL	HWH WIRING (SWITCHED BATTERY POWER)	SLIDEOUT ROOM SWITCH #4 (SWITCHED EXTEND/RETRACT PWR)	KKK 16 YEL	HWH WIRING (SWITCHED BATTERY POWER)	SLIDEOUT ROOM #2 SWITCH (POSITIVE)
JJR 16 YEL	REMOTE SWITCH (EXTEND)	PATIO AWNING CONTROL MODULE (RELAY POSITION 87A,EXTEND)	KKL 16 YEL	HWH WIRING (SWITCHED BATTERY POWER)	SLIDEOUT ROOM #3 SWITCH (POSITIVE)
JJS 12 YEL	REMOTE SWITCH	DOOR AWNING CONTROL RELAY (RELAY POSITION 87A,EXTEND)	KKM 16 YEL	HWH WIRING (SWITCHED BATTERY POWER)	SLIDEOUT ROOM #4 SWITCH (POSITIVE)
JJT 14 YEL	OVERCURRENT PROTECTION (15A FUSE/BREAKER TYPICAL)	COACH 12V RECEPTACLES (REF JJU)	KKN 14 YEL	KEYLESS ENTRY PORCH LIGHT OUTPUT	PORCH/STEP/MAP LAMP
JJU 14 WHT	COACH 12V RECEPTACLES (REF JJT)	GROUND	KKP 14 YEL	LOUNGE CEILING ROPE LAMP SWITCH (CIRCUIT #1)	LOUNGE CEILING ROPE LAMP (REF CIRCUIT SSZ)
JJV 14 YEL	MONITOR PANEL LAMP SWITCH	MONITOR PANEL LAMP	KKR 14 YEL	BEDROOM CEILING ROPE LAMP SWITCH	BEDROOM CEILING ROPE LAMP
JJW 14 YEL	RUN ONLY POWER BREAKER	RUN ONLY POWER RELAY	KKS 14 YEL	BEDROOM VALANCE LAMP SWITCH	BEDROOM VALANCE LAMP
JJX 14 YEL	RUN ONLY POWER RELAY	GENERAL PURPOSE (RUN ONLY FEED)	KKT 14 YEL	BEDROOM "MOOD" LAMP SWITCH	BEDROOM "MOOD" LAMP
JJY 14 YEL	RUN/ACC POWER #1 BREAKER	RUN/ACC POWER #1 RELAY	KKU 16 YEL	REAR TV SPEAKER OUTPUT (RIGHT POSITIVE)	RIGHT SPEAKER (POSITIVE)
JJZ 14 YEL	RUN/ACC POWER #1 RELAY (REF LLD)	GENERAL PURPOSE (RUN/ACC FEED #1)	KKV 16 WHT	REAR TV SPEAKER OUTPUT (RIGHT NEGATIVE)	RIGHT SPEAKER (NEGATIVE)
KKA 14 YEL	RUN/ACC POWER #2 BREAKER	RUN/ACC POWER #2 RELAY	KKW 16 YEL	REAR TV SPEAKER OUTPUT (LEFT POSITIVE)	LEFT SPEAKER (POSITIVE)
KKB 14 YEL	RUN/ACC POWER #2 RELAY (REF LLE)	GENERAL PURPOSE (RUN/ACC FEED #2)	KKX 16 WHT	REAR TV SPEAKER OUTPUT (LEFT NEGATIVE)	LEFT SPEAKER (NEGATIVE)

WIRE IDENTIFICATION CHART

CODE/COLOR	FROM:	TO:	CODE/COLOR	FROM:	TO:
KKY 14 YEL	OVERCURRENT PROTECTION (15A FUSE/BREAKER TYPICAL)	COACH LIGHTING,ETC CIRCUIT #8 (REF KKZ)	LLU 10 YEL	CONTROL MODULE (LEFT FRONT SLIDE)	LT FRT SLIDE RR RAM (MOTOR DRIVE LINE)
KKZ 14 WHT	COACH LIGHTING (REF KKY)	GROUND	LLV 10 YEL	CONTROL MODULE (REAR SLIDE)	REAR SLIDEOUT RAM (MOTOR DRIVE LINE)
LLA 14 YEL	OVERCURRENT PROTECTION (15A FUSE/BREAKER TYPICAL)	COACH LIGHTING,ETC CIRCUIT #9 (REF LLB)	LLW 10 YEL	CONTROL MODULE (LEFT FRONT SLIDE)	LT FRT SLIDE RR RAM (MOTOR DRIVE LINE)
LLB 14 WHT	COACH LIGHTING (REF LLA)	GROUND	LLX 10 YEL	CONTROL MODULE (REAR SLIDE)	REAR SLIDEOUT RAM (MOTOR DRIVE LINE)
LLC 14 YEL	SEAT HEATER BREAKER (15 AMP BREAKER TYPICAL)	SEAT HEATER RELAY POSITION 30	LLY 16 WHT	CONTROL MODULE (REAR SLIDE)(GROUND)	SLIDEOUT SWITCH (REAR SLIDEOUT)
LLD 14 WHT	RUN/ACC FEED #1 (REF JJZ)	GROUND	LLZ 16 YEL	CONTROL MODULE (REAR SLIDE)(RETRACT)	SLIDEOUT SWITCH (REAR SLIDEOUT)
LLE 14 WHT	RUN/ACC FEED #2 (REF KKB)	GROUND	MMA 16 YEL	CONTROL MODULE (REAR SLIDE)(STOP)	SLIDEOUT SWITCH (REAR SLIDEOUT)
LLF 14 YEL	DOVE LAMP RELAY	DOVE LAMP	MMB 16 YEL	CONTROL MODULE (REAR SLIDE)(GREEN LED)	SLIDEOUT SWITCH (REAR SLIDEOUT)
LLG 10/12 YEL	TRAILER BRAKE SIGNAL (OUTPUT FROM CONTROLLER)	TRAILER CONNECTOR (ELECTRIC BRAKES)	MMC 16 YEL	CONTROL MODULE (REAR SLIDE)(EXTEND)	SLIDEOUT SWITCH (REAR SLIDEOUT)
LLH 14 WHT	RUN ONLY GROUND SOURCE (CHASSIS SUPPLIED)	AUX START RELAY	MMD 16 YEL	CONTROL MODULE (REAR SLIDE)(RED LED)	SLIDEOUT SWITCH (REAR SLIDEOUT)
LLJ 14 YEL	AUX START RELAY (RUN ONLY POWER)	AUX START SWITCH	MME 10 YEL	CHASSIS SIDE OF SOLENOID (FRT LT/REAR SLIDE RAMS)	BREAKER PANEL BUSS BAR (FRT LT/REAR SLIDE RAMS)
LLK 10 YEL	CHASSIS BREAKER PANEL (LH FRT SLIDE)(FRT RAM)	CONTROL MODULE (LH FRT SLIDE)	MMF 10 YEL	CHASSIS SIDE OF SOLENOID (FRT RT SLIDE RAMS)	BREAKER PANEL BUSS BAR (FRT RT SLIDE RAMS)
LLL 10 WHT	CHASSIS GROUND BAR (LH FRT SLIDE)(FRT RAM)	CONTROL MODULE (LH FRT SLIDE)	MMG 10 YEL	CHASSIS SIDE OF SOLENOID (REAR SLIDE RAM)	BREAKER PANEL (REAR SLIDE RAM)
LLM 10 YEL	CHASSIS BREAKER PANEL (LH FRT SLIDE)(REAR RAM)	CONTROL MODULE (LH FRT SLIDE)	MMH 16 YEL	OVERCURRENT PROTECTION (6 AMP BREAKER TYPICAL)	POWER SUNVISOR SWITCH
LLN 10 WHT	CHASSIS GROUND BAR (LH FRT SLIDE)(REAR RAM)	CONTROL MODULE (LH FRT SLIDE)	MMJ 16 WHT	GROUND	POWER SUNVISOR SWITCH
LLP 10 YEL	CHASSIS BREAKER PANEL (REAR SLIDE RAM)	CONTROL MODULE (REAR SLIDE)	MMK 16 YEL	BEDROOM STEREO (LEFT SPEAKER REF)	CROSS OVER BOX (POSITIVE)
LLR 10 WHT	CHASSIS GROUND BAR (REAR SLIDE RAM)	CONTROL MODULE (REAR SLIDE)	MML 16 WHT	BEDROOM STEREO (LEFT SPEAKER REF)	CROSS OVER BOX (NEGATIVE)
LLS 10 YEL	CONTROL MODULE (LEFT FRONT SLIDE)	LT FRT SLIDE FRT RAM (MOTOR DRIVE LINE)	MMM 16 YEL	BEDROOM STEREO (RIGHT SPEAKER REF)	CROSS OVER BOX (POSITIVE)
LLT 10 YEL	CONTROL MODULE (LEFT FRONT SLIDE)	LT FRT SLIDE FRT RAM (MOTOR DRIVE LINE)	MMN 16 WHT	BEDROOM STEREO (RT/WOOFER SPKER REF)	CROSS OVER BOX (NEGATIVE)

WIRE IDENTIFICATION CHART

CODE/COLOR	FROM:	TO:	CODE/COLOR	FROM:	TO:
MMP 16 YEL	CROSS OVER COIL (POSITIVE)	SUBWOOFER (BEDROOM)	NNK 16 YEL	KEYLESS ENTRY TOUCH PAD SIGNAL	ENTRANCE DOOR TOUCH PAD
MMR 14 YEL	CHASSIS TOW MARKER LAMPS CIRCUIT	TRAILER CONNECTOR (TAIL/MARKER LAMPS)	NNL 16 YEL	PASSENGER TEMP CONTROL (CONTROL OUT)	PASSENGER AC/HEATER
MMS 12 YEL	+12V	PASSENGER AC/HEATER CONTROLS	NNM 16 YEL	PASSENGER VENT CONTROL (CONTROL OUT)	PASSENGER VENT
MMT 12 YEL	PASSENGER FAN SWITCH (LOW SPEED)	PASSENGER FAN	NNN 16 YEL	CONTROL MODULE (RIGHT FRONT SLIDE)(STOP)	SLIDEOUT SWITCH (RIGHT FRONT SLIDE)
MMU 12 YEL	PASSENGER FAN SWITCH (MED SPEED)	PASSENGER FAN	NNP 16 YEL	CONTROL MODULE (RIGHT FRONT SLIDE)(GREEN LED)	SLIDEOUT SWITCH (RIGHT FRONT SLIDE)
MMV 12 YEL	PASSENGER FAN SWITCH (HIGH SPEED)	PASSENGER FAN	NNR 16 YEL	CONTROL MODULE (RIGHT FRONT SLIDE)(RED LED)	SLIDEOUT SWITCH (RIGHT FRONT SLIDE)
MMW 16 YEL	+12V	PASSENGER CONTROL PANEL LAMPS	NNS 16 WHT	CONTROL MODULE (RIGHT FRONT SLIDE)(GROUND)	SLIDEOUT SWITCH (RIGHT FRONT SLIDEOUT)
MMX 16 WHT	PASSENGER CONTROL PANEL LAMPS	GROUND	NNT 16 YEL	CONTROL MODULE (RIGHT FRONT SLIDE)(SIGNAL)	RIGHT FRONT SLIDE,FRONT RAM (ENCODER)
MMY 16 WHT	PASSENGER TEMP AND VENT CONTROL	GROUND	NNU 16 YEL	CONTROL MODULE (RIGHT FRONT SLIDE)(+)	RIGHT FRONT SLIDE,FRONT RAM (ENCODER)
MMZ 12 YEL	SLIDEOUT ROOM CONTROL SWITCH (RAM #1)	SLIDEOUT DRIVE MOTOR LEAD #1	NNV 16 WHT	CONTROL MODULE (RIGHT FRONT SLIDE)(-)	RIGHT FRONT SLIDE,FRONT RAM (ENCODER)
NNA 12 YEL	SLIDEOUT ROOM CONTROL SWITCH (RAM #1)	SLIDEOUT DRIVE MOTOR LEAD #2	NNW 16 YEL	CONTROL MODULE (RIGHT FRONT SLIDE)(SIGNAL)	RIGHT FRONT SLIDE,REAR RAM (ENCODER)
NNB 16 YEL	CONTROL MODULE (FRONT SLIDE) (SIGNAL)	FRONT SLIDE FRONT RAM (ENCODER)	NNX 16 YEL	CONTROL MODULE (RIGHT FRONT SLIDE)(+)	RIGHT FRONT SLIDE,REAR RAM (ENCODER)
NNC 16 YEL	CONTROL MODULE (FRONT SLIDE) (+)	FRONT SLIDE FRONT RAM (ENCODER)	NNY 16 WHT	CONTROL MODULE (RIGHT FRONT SLIDE)(-)	RIGHT FRONT SLIDE,REAR RAM (ENCODER)
NND 16 WHT	CONTROL MODULE (FRONT SLIDE) (-)	FRONT SLIDE FRONT RAM (ENCODER)	NNZ 10 YEL	CHASSIS BREAKER PANEL (RH FRT SLIDE)(FRT RAM)	CONTROL MODULE (RIGHT FRONT SLIDE)
NNE 16 YEL	CONTROL MODULE (FRONT SLIDE) (SIGNAL)	FRONT SLIDE REAR RAM (ENCODER)	PPA 10 WHT	CHASSIS GROUND BAR (RH FRT SLIDE)(FRT RAM)	CONTROL MODULE (RIGHT FRONT SLIDE)
NNF 16 YEL	CONTROL MODULE (FRONT SLIDE) (+)	FRONT SLIDE REAR RAM (ENCODER)	PPB 10 YEL	CHASSIS BREAKER PANEL (RH FRT SLIDE)(REAR RAM)	CONTROL MODULE (RIGHT FRONT SLIDE)
NNG 16 WHT	CONTROL MODULE (FRONT SLIDE) (-)	FRONT SLIDE REAR RAM (ENCODER)	PPC 10 WHT	CHASSIS GROUND BAR (RH FRT SLIDE)(REAR RAM)	CONTROL MODULE (RIGHT FRONT SLIDE)
NNH 12 YEL	CONTROL MODULE (RAM #2)	SLIDEOUT ACTURATOR DRIVE LEAD #1	PPD 10 YEL	CONTROL MODULE (RIGHT FRONT SLIDE)	RH FRT SLIDE FRT RAM (MOTOR DRIVE LINE)
NNJ 12 YEL	CONTROL MODULE (RAM #2)	SLIDEOUT ACTURATOR DRIVE LEAD #2	PPE 10 YEL	CONTROL MODULE (RIGHT FRONT SLIDE)	RH FRT SLIDE FRT RAM (MOTOR DRIVE LINE)

WIRE IDENTIFICATION CHART

CODE/COLOR	FROM:	TO:	CODE/COLOR	FROM:	TO:
PPF 10 YEL	CONTROL MODULE (RIGHT FRONT SLIDE)	RH FRT SLIDE RR RAM (MOTOR DRIVE LINE)	RRB 14 YEL	GENERAL SWITCH	GENERAL LAMP
PPG 10 YEL	CONTROL MODULE (RIGHT FRONT SLIDE)	RH FRT SLIDE RR RAM (MOTOR DRIVE LINE)	RRC 14 YEL	GENERAL SWITCH	GENERAL LAMP
PPH 14 YEL	CHASSIS CLEARANCE LAMPS CRT #2 (REF MM)	CLEARANCE/MARKER LAMPS	RRD 14 YEL	GALLEY CEILING FAN SWITCH	GALLEY CEILING FAN
PPJ 14 YEL	PASSENGER SUNVISOR SWITCH DRIVER'S SIDE	PASSENGER SUNVISOR SWITCH PASSENGER'S SIDE	RRE 14 YEL	10 OHM RESISTOR	LOUNGE CEILING FAN (LOW SPEED)
PPK 14 YEL	PASSENGER SUNVISOR SWITCH DRIVER'S SIDE	PASSENGER SUNVISOR SWITCH PASSENGER'S SIDE	RRF 14 YEL	BEDROOM READING LAMP SWITCH	BEDROOM READING LAMP
PPL 14 YEL	DASH RADIO ACCESSORY POWER	TV/RADIO SPEAKER SELECTOR SWITCH	RRG 14 YEL	BEDROOM READING LAMP SWITCH #1 (2 SWITCH SYSTEM)	BEDROOM READING LAMP SWITCH #2 (2 SWITCH SYSTEM)
PPM 12 YEL	OVERCURRENT PROTECTION (15A BREAKER TYPICAL)	LEFT FRONT SLIDEOUT LOCK SWITCH	RRH 14 YEL	BEDROOM READING LAMP SWITCH #1 (2 SWITCH SYSTEM)	BEDROOM READING LAMP SWITCH #2 (2 SWITCH SYSTEM)
PPN 12 WHT	LEFT FRONT SLIDEOUT LOCK SWITCH (REF PPM)	GROUND	RRJ 12 WHT	SEVEN PIN CONNECTOR (TRAILER CONNECTOR)	GROUND
PPP 12 YEL	OVERCURRENT PROTECTION (15A BREAKER TYPICAL)	RIGHT FRONT SLIDEOUT LOCK SWITCH	RRK 16 YEL	2ND GALLEY HOLDING TANK	SELECTOR SWITCH
PPR 12 WHT	RIGHT FRONT SLIDEOUT LOCK SWITCH (REF PPP)	GROUND	RRL 16 YEL	HOLDING TANK SELECTOR SWITCH	MONITOR PANEL
PPS 12 YEL	LEFT FRONT SLIDEOUT LOCK SWITCH	LEFT FRONT SLIDEOUT LOCK MOTOR	RRM 14 YEL	CENTER POWER SUNVISOR SWITCH	CENTER SUNVISOR
PPT 12 YEL	LEFT FRONT SLIDEOUT LOCK SWITCH	LEFT FRONT SLIDEOUT LOCK MOTOR	RRN 14 YEL	CENTER POWER SUNVISOR SWITCH	CENTER SUNVISOR
PPU 12 YEL	RIGHT FRONT SLIDEOUT LOCK SWITCH	RIGHT FRONT SLIDEOUT LOCK MOTOR	RRP 16 YEL	THERMOSTAT (LOW STAGE)	FURNACE (LOW STAGE)
PPV 12 YEL	RIGHT FRONT SLIDEOUT LOCK SWITCH	RIGHT FRONT SLIDEOUT LOCK MOTOR	RRR 16 YEL	THERMOSTAT (HIGH STAGE)	FURNACE (HIGH STAGE)
PPW 14 YEL	SLIDEOUT LOCK SWITCH W/SLIDEOUT SWITCH #1 IN DASH	SLIDEOUT ROOM #1 SWITCH (POSITIVE)	RRS 16 YEL	SLIDEOUT LOCK SWITCH (#1)	SLIDEOUT LOCK SWITCH (#2)
PPX 14 YEL	SLIDEOUT LOCK SWITCH W/SLIDEOUT SWITCH #3 IN DASH	SLIDEOUT ROOM #3 SWITCH (POSITIVE)	RRT 16 YEL	AWNING CONTROL BOX (LOCATED IN HOUSING PIN 1)	DOOR AWNING LIMIT SWITCH (LOCATED IN HOUSING PIN 1)
PPY 14 YEL	SLIDEOUT LOCK SWITCH W/SLIDEOUT SWITCH #4 IN DASH	SLIDEOUT ROOM #4 SWITCH (POSITIVE)	RRU 16 WHT	AWNING CONTROL BOX (LOCATED IN HOUSING PIN 2)	DOOR AWNING LIMIT SWITCH (LOCATED IN HOUSING PIN 2)
PPZ 12 YEL	CHASSIS SUPPLIED WIRING	TRAILER TOW BATTERY FEED (7 WAY TOW CONNECTOR)	RRV 14 YEL	VIDEO CAMERA SWITCHER	MONITOR
RRA 14 YEL	GENERAL SWITCH	GENERAL LAMP	RRW 14 YEL	LOCKOUT POSITIONING SWITCH	FIREPLACE LOCKOUT RECP



WIRE IDENTIFICATION CHART

CODE/COLOR	FROM:	TO:	CODE/COLOR	FROM:	TO:
RRX 10 YEL	12V BREAKER PANEL (30 AMP TYPICAL)	SMART FUSE BLOCK (POSITIVE)	SST 14 YEL	GALLEY LAMP SWITCH #1	GALLEY LAMP SWITCH #2
RRY 18 YEL	SMART FUSE BLOCK (COMMUNICATION BUS)	SMART FUSE SWITCH PANEL	SSU 14 YEL	GALLEY LAMP SWITCH #1	GALLEY LAMP SWITCH #2
RRZ 18 WHT	SMART FUSE BLOCK (COMMUNICATION GROUND)	SMART FUSE SWITCH PANEL	SSV 14 YEL	BATH CEILING LAMP SWITCH #1 (2 SWITCH SYSTEM)	BATH CEILING LAMP SWITCH #2 (2 SWITCH SYSTEM)
SSA 14 WHT	FRONT LEFT SLIDE LOCK (INDICATOR OUTPUT-GROUND)	FRONT LEFT LOCK SWITCH LED	SSW 14 YEL	BATH CEILING LAMP SWITCH #1 (2 SWITCH SYSTEM)	BATH CEILING LAMP SWITCH #2 (2 SWITCH SYSTEM)
SSB 14 WHT	FRONT RIGHT SLIDE LOCK (INDICATOR OUTPUT-GROUND)	FRONT RIGHT LOCK SWITCH LED	SSX 12 YEL	DOOR AWNING SWITCH	DOOR AWNING CONTROL RELAY (RELAY POSITION 87A EXTEND)
SSC 14 YEL	JACK CONTROL PANEL (LEVEL)	REMOTE AUTO LEVEL SWITCH	SSY 12 WHT	DOOR AWNING SWITCH	DOOR AWNING LIMIT SWITCH
SSD 14 YEL	JACK CONTROL PANEL (STORE)	REMOTE AUTO LEVEL SWITCH	SSZ 14 YEL	LOUNGE CEILING ROPE LAMP SWITCH (CIRCUIT #2)	LOUNGE CEILING ROPE LAMP (REF CIRCUIT KKP)
SSE 14 YEL	JACK CONTROL PANEL (COMMON)	REMOTE AUTO LEVEL SWITCH (+)HWH (-)KWIKEE	TTA 14 YEL	LEVELING SYSTEM CONTROLS	INDICATOR LAMP/ALARM (POSITIVE)
SSF 14 YEL	JACK CONTROL PANEL (INDICATOR LED)	REMOTE AUTO LEVEL SWITCH (-)HWH (+)KWIKEE	TTB 14 WHT	LEVELING SYSTEM CONTROLS	INDICATOR LAMP/ALARM (NEGATIVE)
SSG 18 YEL	TRANSFORMER	AUTO GENERATOR START MONITOR PANEL	TTC 10 YEL	CHASSIS BATTERY	SLIDEOUT LOCK BREAKER
SSH 18 WHT	TRANSFORMER	AUTO GENERATOR START MONITOR PANEL	TTD 14 YEL	VEHICLE LEFT HEADLAMP HI BEAM CIRCUIT	LEFT HI BEAM LAMP
SSJ 10 YEL	BRAKE CONTROLLER POWER (30-AMP BREAKER TYPICAL)	BRAKE CONTROLLER (POWER INPUT)	TTE 14 YEL	RELAY	RIGHT DOCKING LAMP
SSK 14 WHT	BRAKE CONTROLLER (GROUND)	GROUND	TTF 14 YEL	RELAY	LEFT DOCKING LAMP
SSL 14 YEL	CHASSIS REAR LAMP WIRING (LEFT TURN ONLY)	LEFT TURN SIGNAL *NOT COMBO TURN/BRAKE*	TTG 18 YEL	FRONT THERMOSTAT (MAIN)	REMOTE SENSOR
SSM 14 YEL	CHASSIS REAR LAMP WIRING (RIGHT TURN ONLY)	RIGHT TURN SIGNAL *NOT COMBO TURN/BRAKE*	TTH 18 YEL	FRONT THERMOSTAT (MAIN)	REMOTE SENSOR
SSN 18 WHT	FRONT RIGHT SLIDEOUT LOCK END SWITCH (FROM NNS)	CONTROL MODULE (RIGHT FRONT SLIDE)(GROUND)	TTJ 14 YEL	BRAKE LAMP CIRCUIT BREAKER	BRAKE LAMP RELAY
SSP 18 WHT	LEFT FRONT SLIDEOUT LOCK END SWITCH (FROM DS)	CONTROL MODULE (LEFT FRONT SLIDE)(GROUND)	TTK 14 YEL	RIGHT TURNLAMP CIRCUIT BREAKER	RIGHT TURN LAMP RELAY
SSR 16 YEL	EXTERIOR HOLDING TANK SELECTOR SWITCH	EXTERIOR MONITOR PANEL	TTL 14 YEL	LEFT TURN LAMP CIRCUIT BREAKER	LEFT TURN LAMP RELAY
SSS 16 YEL	EXTERIOR HOLDING TANK SELECTOR SWITCH	2ND GALLEY HOLDING TANK	TTM 14 YEL	BACKUP LAMP CIRCUIT BREAKER	BACKUP LAMP RELAY

WIRE IDENTIFICATION CHART

CODE/COLOR	FROM:	TO:	CODE/COLOR	FROM:	TO:
TTN 14 YEL	PARK LAMP CIRCUIT BREAKER	PARK LAMP RELAY			
TTP 12 YEL	AWNING CONTROL BOX	PATIO AWNING #2 (MOTOR POSITIVE)			
TTR 12 WHT	AWNING CONTROL BOX	PATIO AWNING #2 (MOTOR GROUND)			
TTS 16 YEL	AWNING CONTROL BOX	PATIO AWNING #2 (SWITCH EXTEND)			
TTT 16 YEL	AWNING CONTROL BOX	PATIO AWNING #2 (SWITCH COMMON)			
TTU 16 YEL	AWNING CONTROL BOX	PATIO AWNING #2 (SWITCH RETRACT)			
TTV 16 YEL	AWNING CONTROL BOX	WIND SENSOR #2 (POSITIVE)			
TTW 16 YEL	AWNING CONTROL BOX	WIND SENSOR #2 (NEGATIVE)			
TTX 16 YEL	AWNING CONTROL BOX	WIND SENSOR #2 (SPEED OUTPUT)			
TTY 18 YEL	CHASSIS BATT DISCONNECT RELAY (TERMINAL I)	CHASSIS BATT DISCONNECT SWITCH			
TTZ 18 YEL	CHASSIS BATT DISCONNECT RELAY (TERMINAL S)	CHASSIS BATT DISCONNECT SWITCH			
UUA 18 YEL	CHASSIS BATT DISCONNECT RELAY LOAD SIDE FUSE FEED	CHASSIS BATT DISCONNECT SWITCH INDICATOR LAMP			
UUB 18 YEL	CHASSIS BATT DISCONNECT RELAY BATTERY SIDE FUSE FEED	CHASSIS BATT DISCONNECT SWITCH			
UUC 18 WHT	CHASSIS BATT DISCONNECT SWITCH	GROUND			
UUD 12 YEL	RIGHT REAR SLIDEOUT LOCK SWITCH	RIGHT REAR SLIDEOUT LOCK MOTOR			
UUE 12 YEL	RIGHT REAR SLIDEOUT LOCK SWITCH	RIGHT REAR SLIDEOUT LOCK MOTOR			