



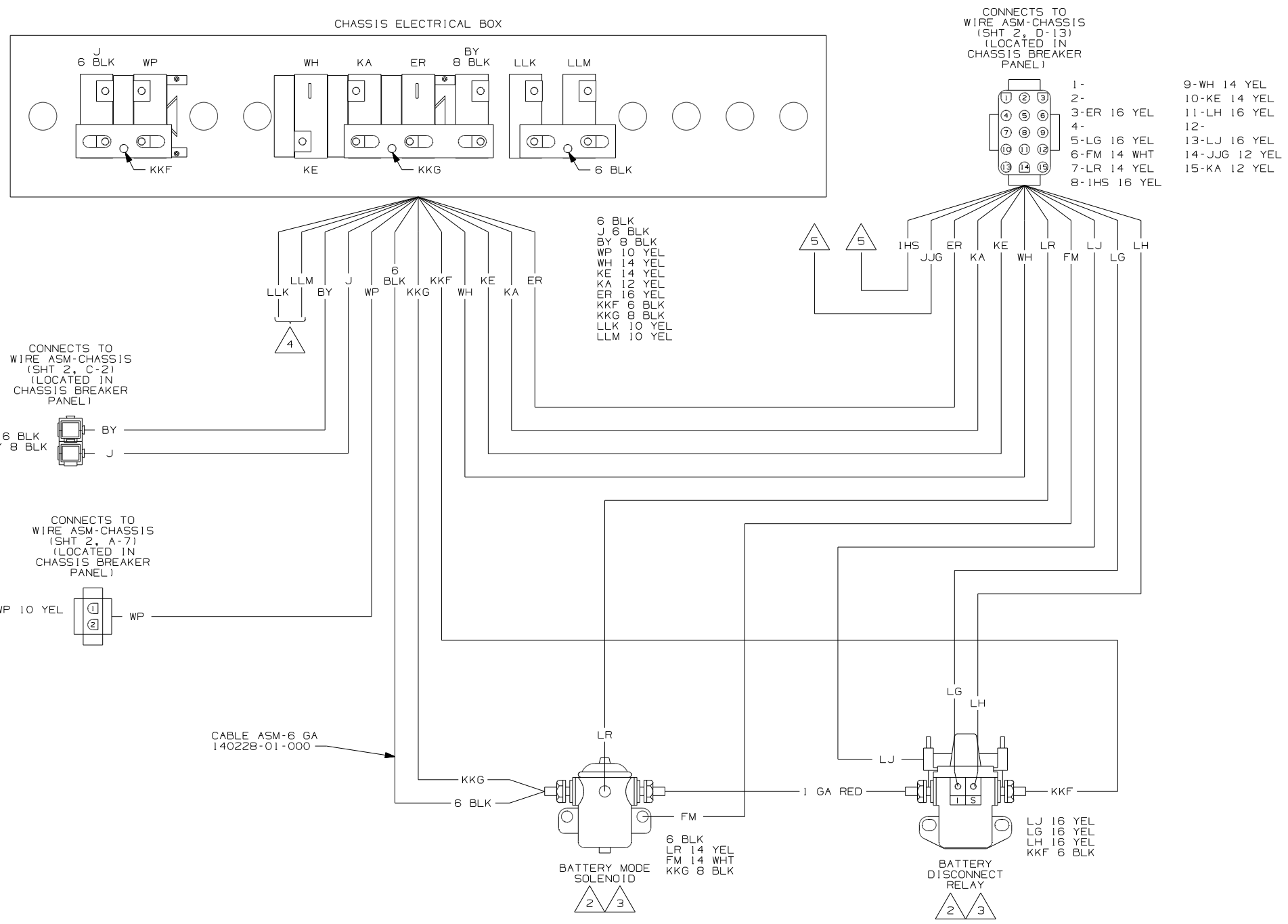
DANGER

Danger of electrical shock, burns or death. Always remove all power sources before attempting any repair, service or diagnostic work. Power can be present from shore power, generator, inverter or battery. All power sources must be disabled and secured before performing any service.



CAUTION

If you lack the skills, tools or equipment to perform diagnostic or repair work leave such work to an authorized Winnebago Industries dealer or other qualified shop.



- 5 CIRCUIT IS NOT USED.
- 4 WIRE IS FROM WIRE ASM-SLIDEOUT POWER.
- 3 SEE WIRING DIAGRAM-AUTO FOR ADDITIONAL INFORMATION.
- 2 SEE MANUFACTURERS DIAGRAM FOR ADDITIONAL INFORMATION.

1. SPLICES ARE THEORETICAL AND MAY DIFFER IN THE HARNESS.

NOTES:

WIRING DIAGRAM-ELECTRICAL BOX
(WIRE ASM 124125-03 REV-M)

WINNEBAGO		COPYRIGHT 2006 WINNEBAGO INDUSTRIES, INC.	
DFTR	ORIG. DATE	ALL DIMENSIONS ARE IN MILLIMETERS	
CHKR		MATERIAL:	
P.E.		UNSPECIFIED TOLERANCES ARE:	
M.E.	FIRST USED	HOLE DIM (X) :	
DSNR	07 D33T	ONE-PLACE (X.X) :	
		TWO-PLACE (X.XX) :	
		ANGLE :	
THIRD ANGLE PROJECTION		DO NOT SCALE DRAWING	
TITLE: WIRING DIAGRAM-BODY, 12V			
SHEET 1 of 7	PART NO 158668	REV	
REF:		1 4/4/2007	

GROUND 3
KF 16 WHT
FM 14 WHT
MP 16 WHT

CONNECTS TO REAR SLIDEOUT ARM 4

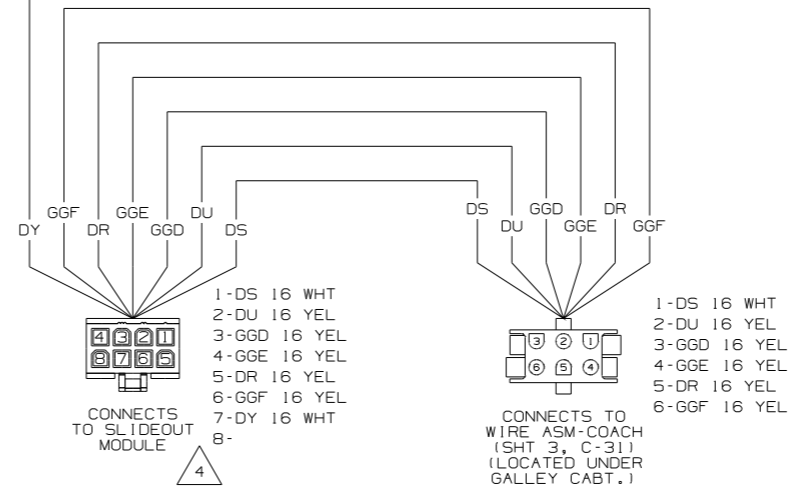
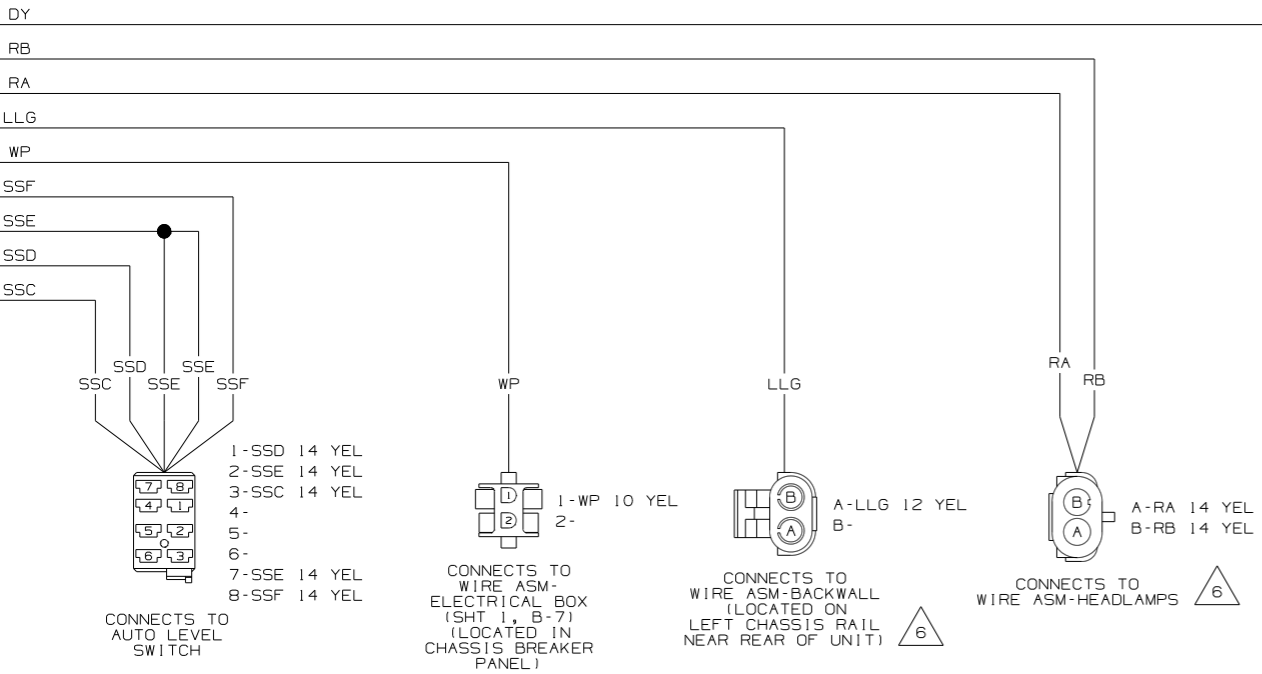
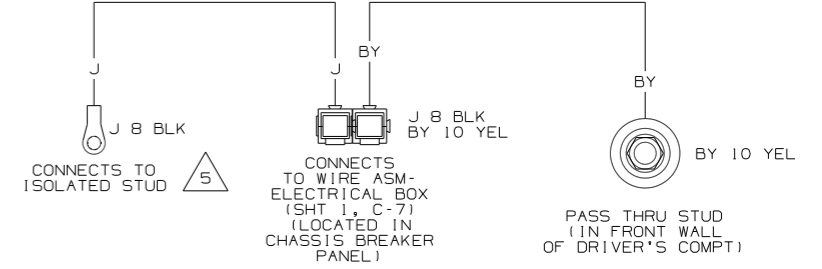
A-GGK 16 YEL
B-GGM 16 WHT
C-GGL 16 YEL

CONNECTS TO SLIDEOUT MODULE

1-GGH 16 YEL
2-GGG 16 YEL
3-GGJ 16 WHT
4-GGL 16 YEL
5-GGK 16 YEL
6-GGM 16 WHT

CONNECTS TO FRONT SLIDEOUT ARM 4

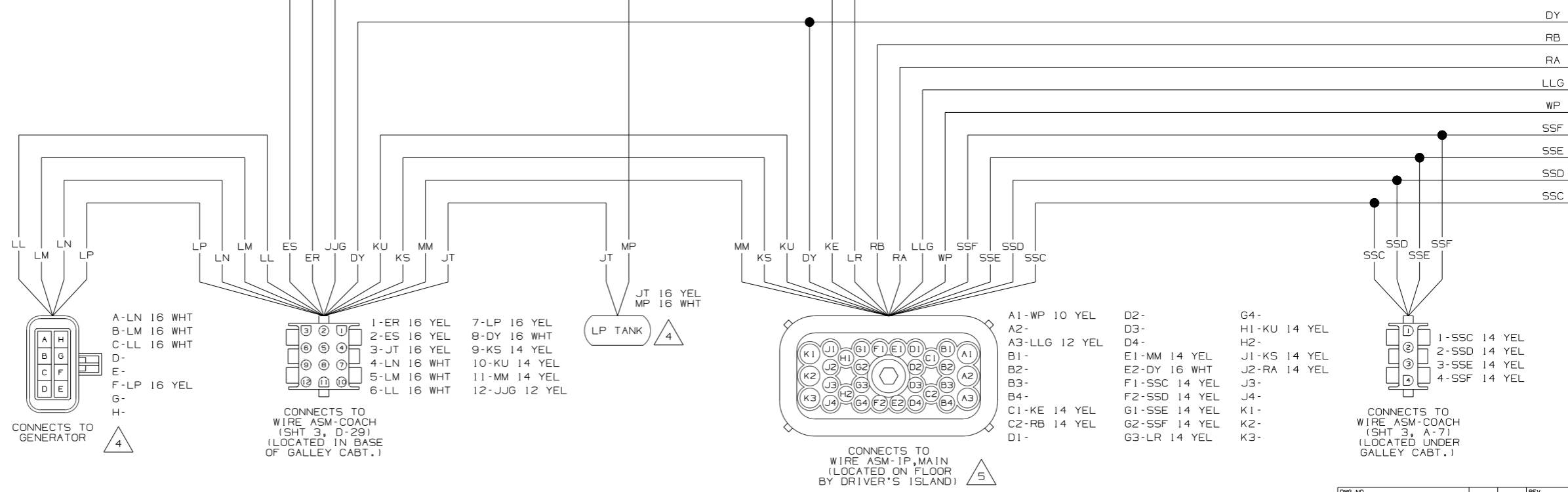
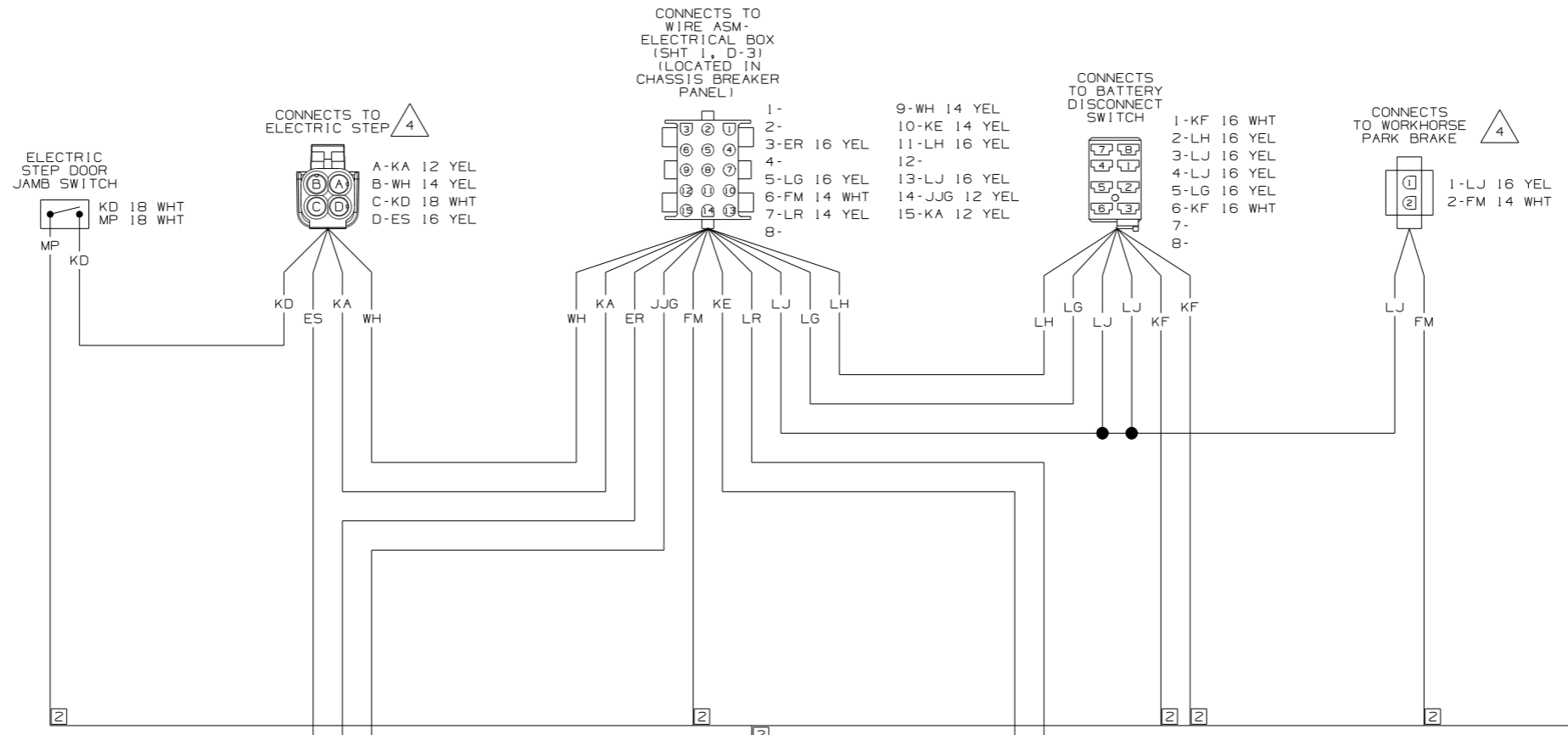
A-GGG 16 YEL
B-GGJ 16 WHT
C-GGH 16 YEL



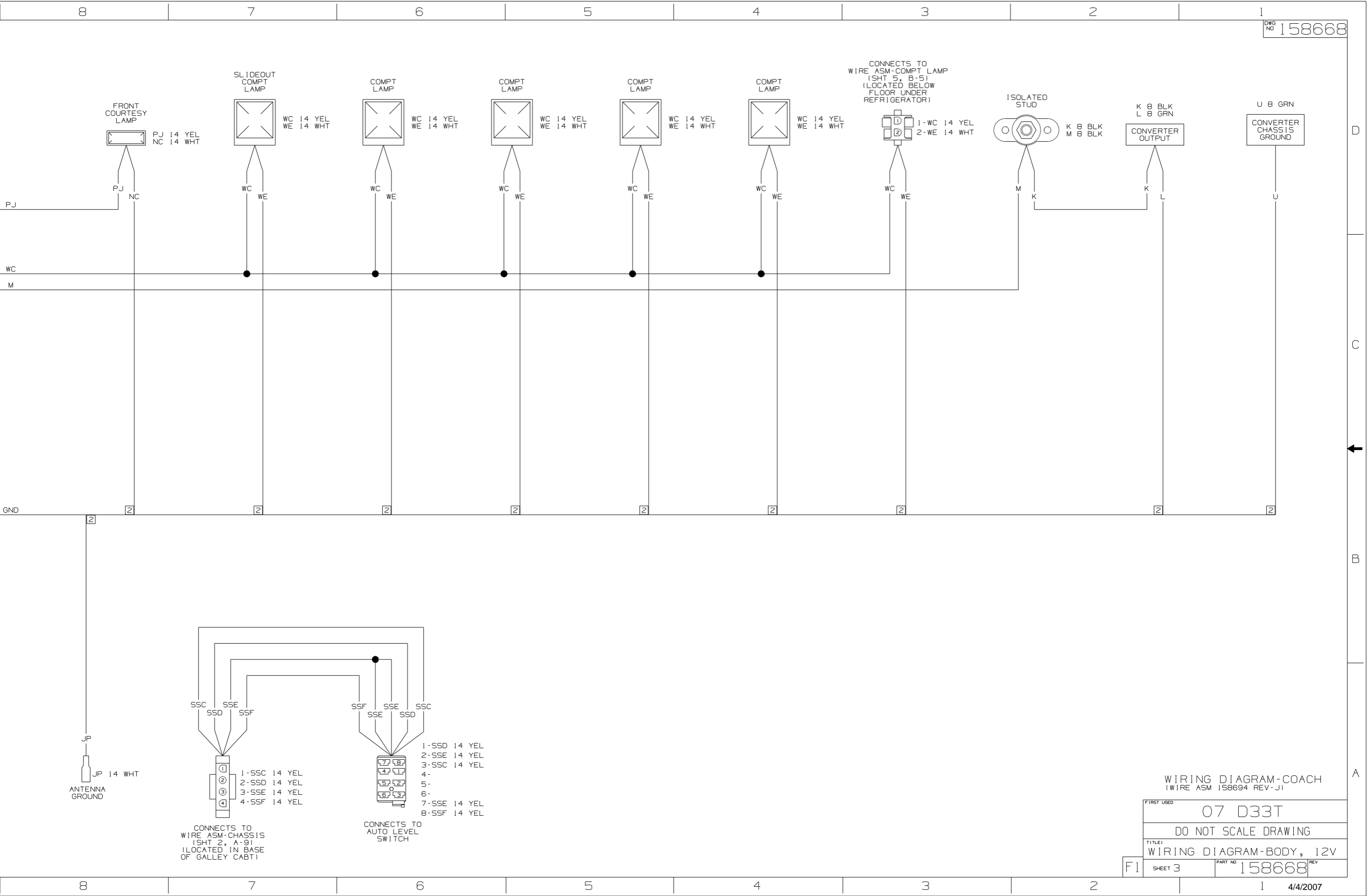
WIRING DIAGRAM-CHASSIS (WIRE ASM 158674 REV-G)

FIRST USED	07 D33T
TITLE	DO NOT SCALE DRAWING
TITLE	WIRING DIAGRAM-BODY, 12V
SHEET 2	PART NO 158668 REV

D
C
B
A

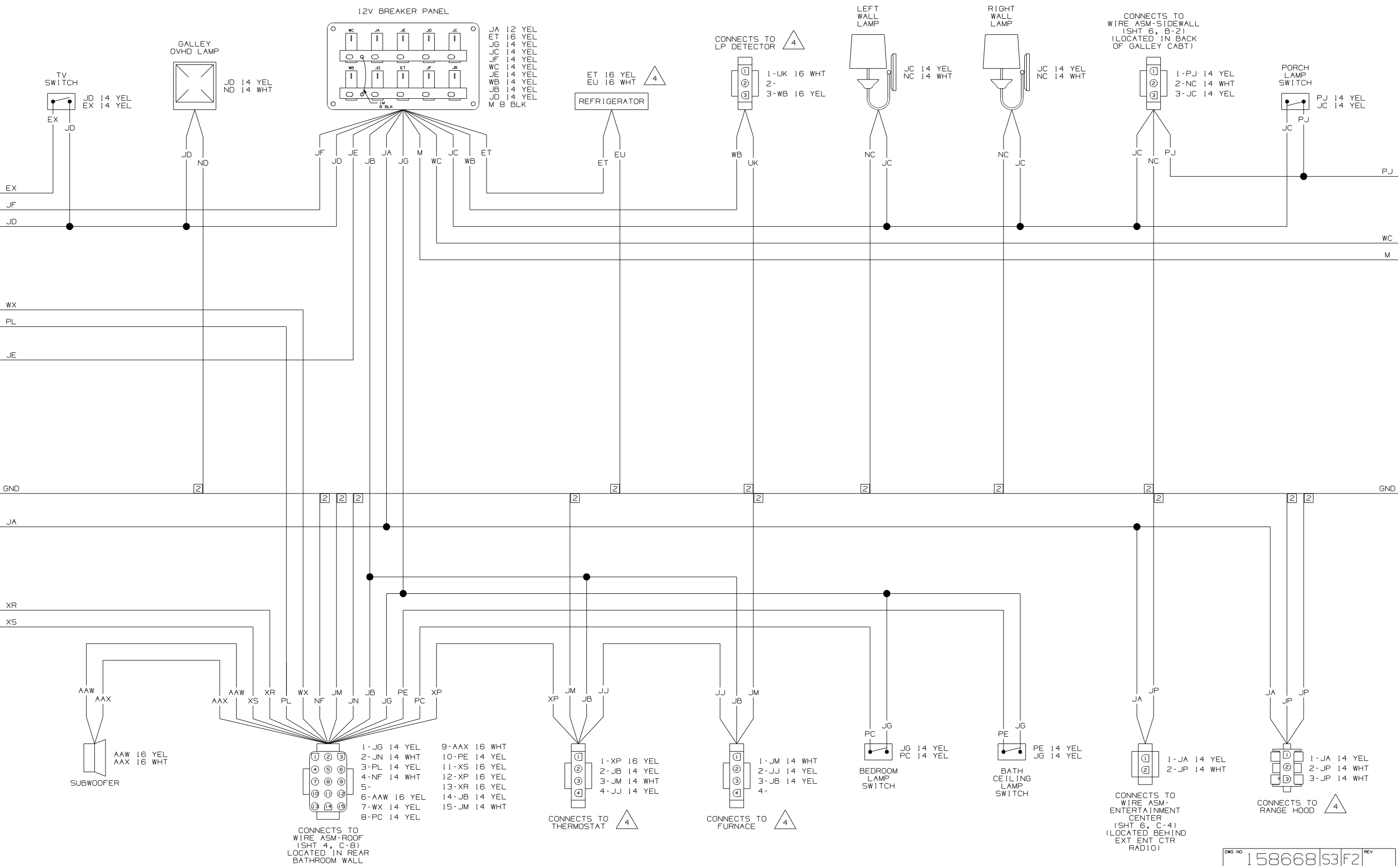


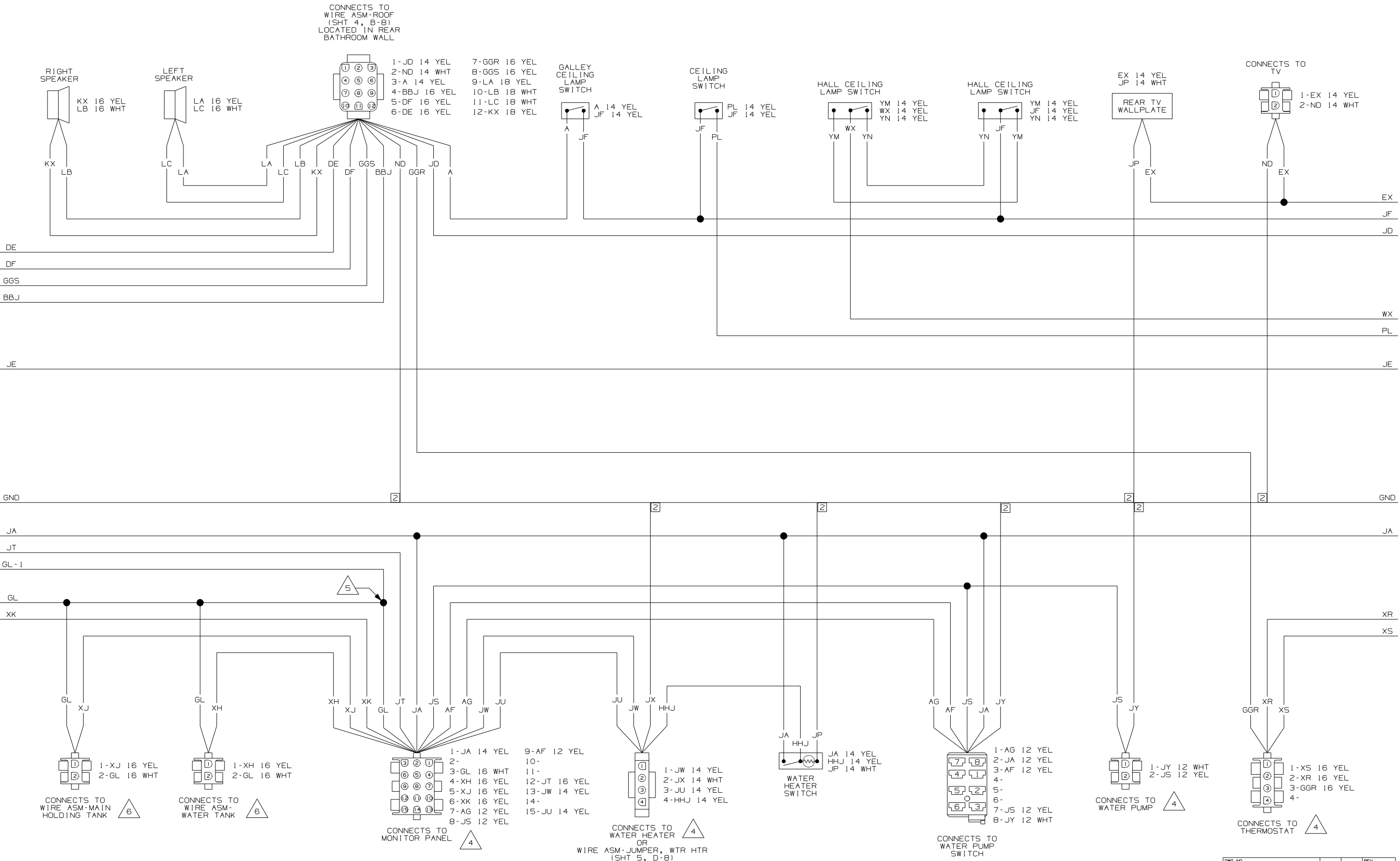
- 6 SEE WIRING DIAGRAM-AUTO LAMPS FOR ADDITIONAL INFORMATION.
 - 5 SEE WIRING DIAGRAM-AUTO FOR ADDITIONAL INFORMATION.
 - 4 SEE MANUFACTURERS DIAGRAM FOR ADDITIONAL INFORMATION.
 - 3 GROUNDS ARE SHOWN AS A SINGLE LINE FOR EASE IN TRACING. EACH GROUND CIRCUIT IS SEPERATE IN THE HARNESS.
 - 2 NOT A SPLICE POINT. INDICATES ENTRY INTO WIRING HARNESS.
- NOTES:
1. SPLICES ARE THEORETICAL AND MAY DIFFER IN THE HARNESS.

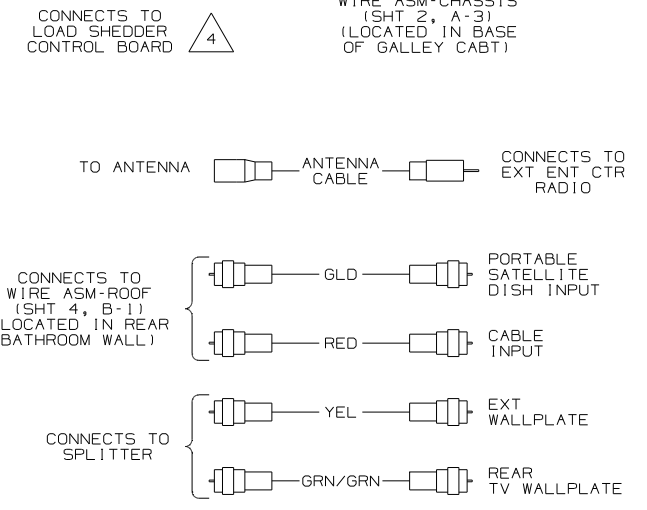
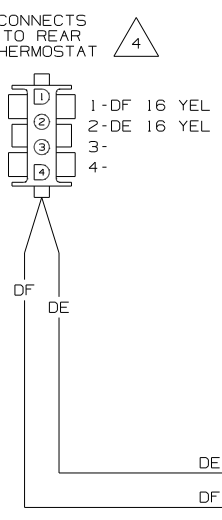
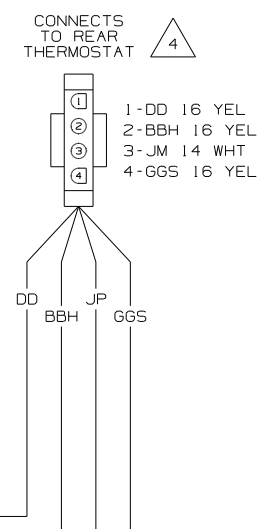
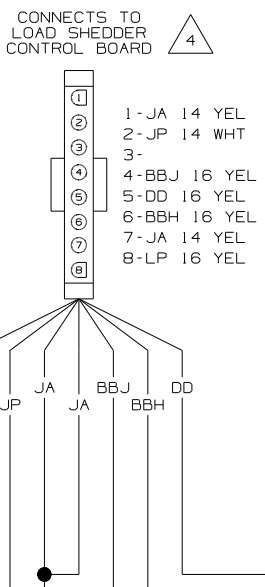
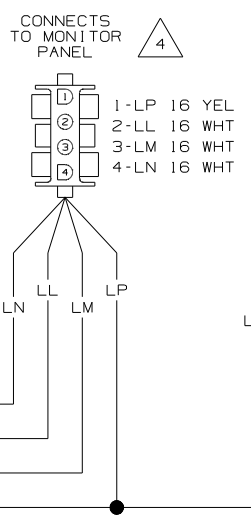
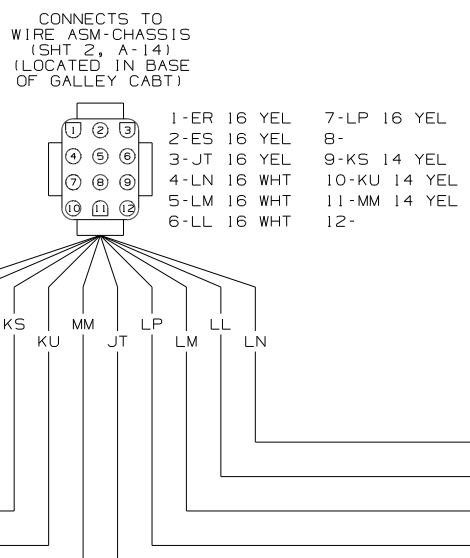
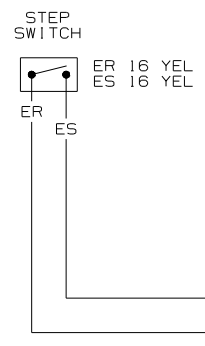
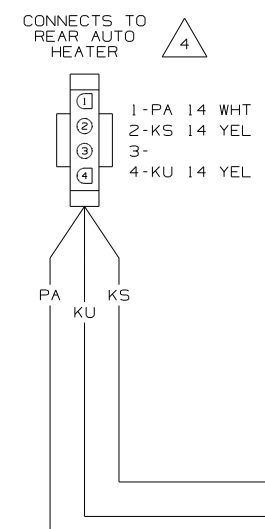
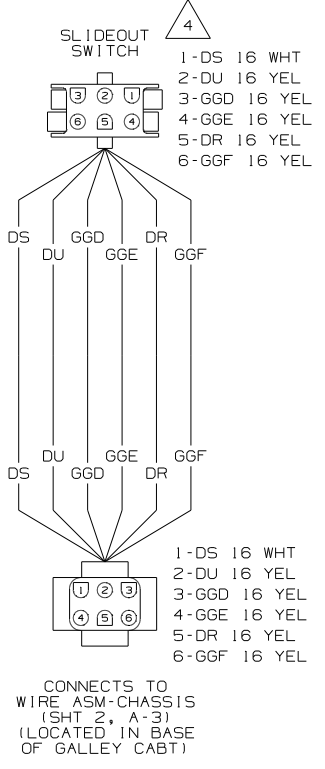
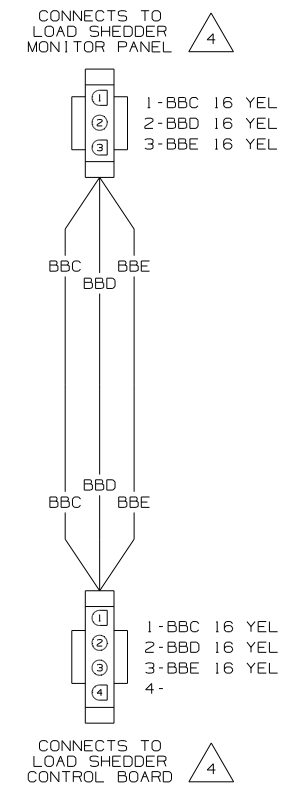


WIRING DIAGRAM-COACH
(WIRE ASM 158694 REV-J)

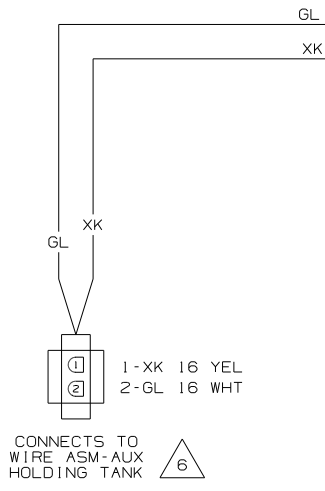
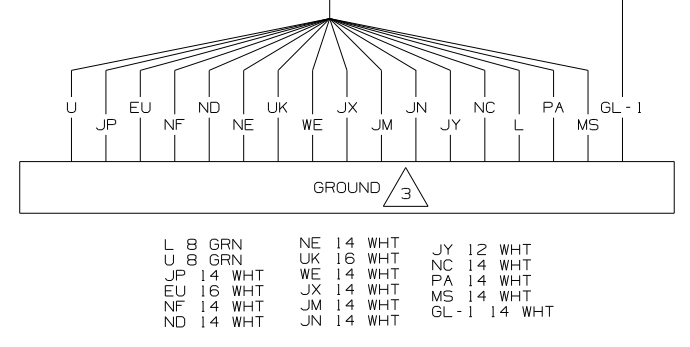
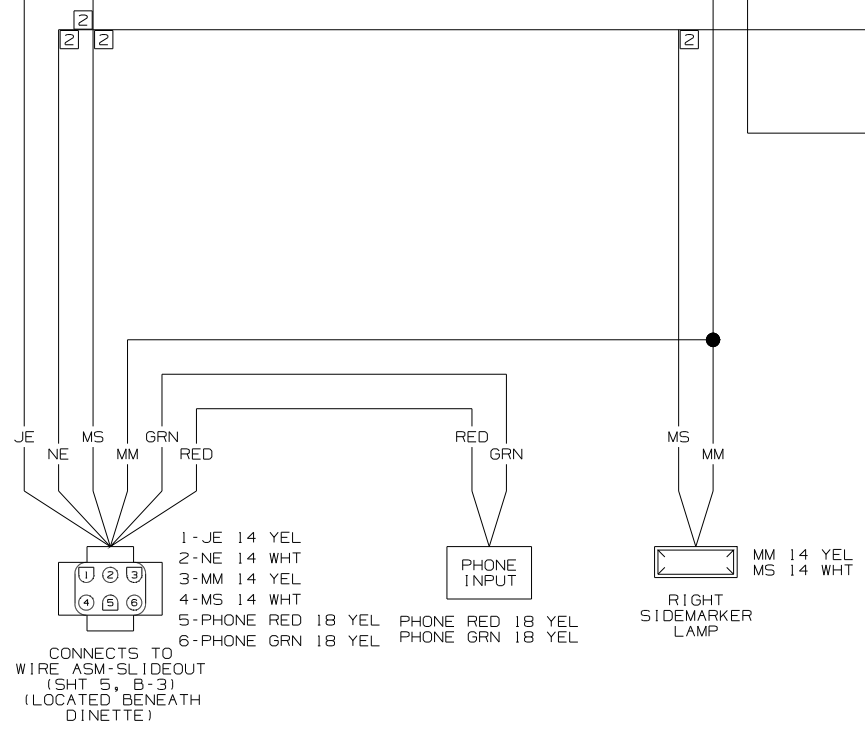
FIRST USED	07 D33T	
TITLE:	DO NOT SCALE DRAWING	
	WIRING DIAGRAM-BODY, 12V	
SHEET 3	PART NO	158668

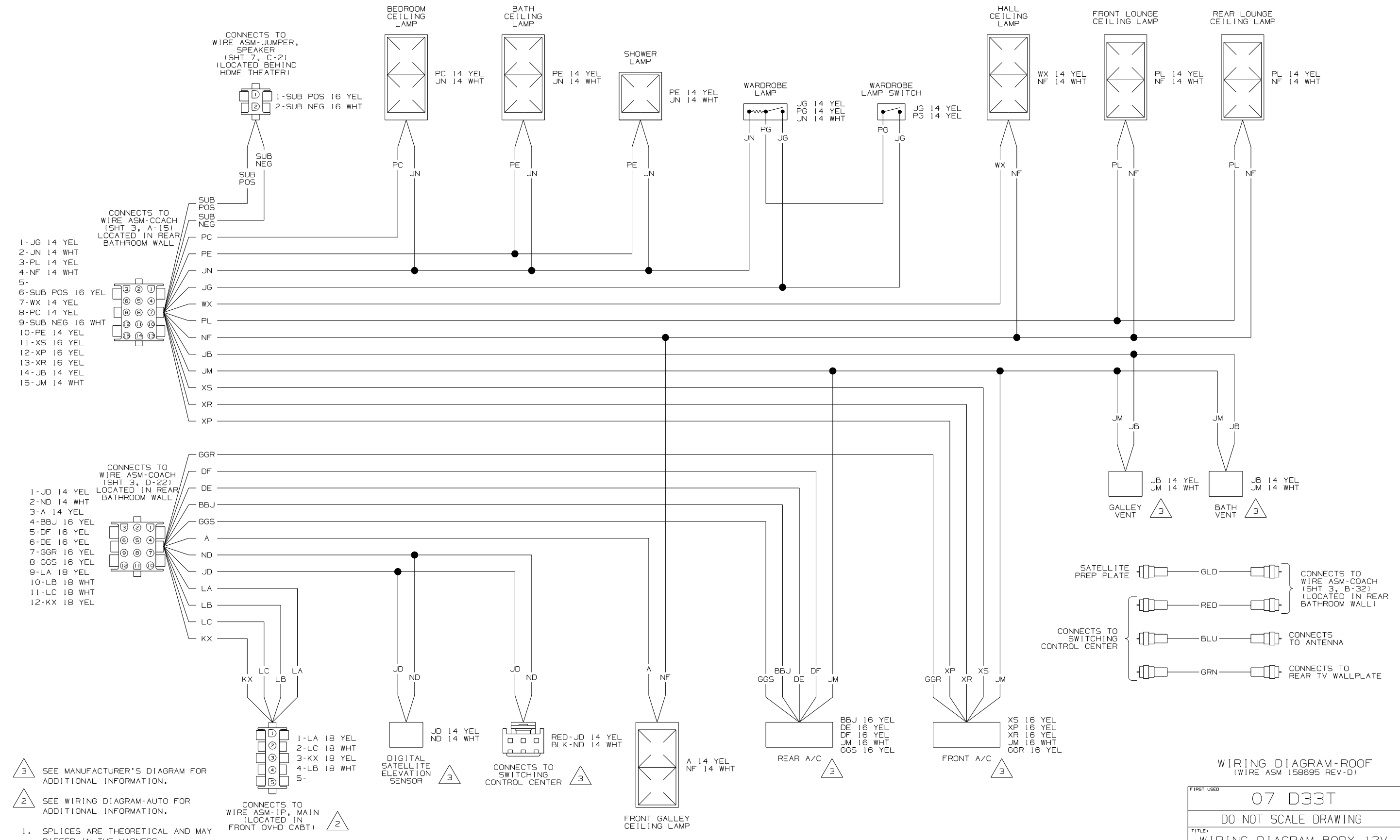






- $\triangle 6$ SEE WIRING DIAGRAM-HOLDING TANKS FOR ADDITIONAL INFORMATION.
- $\triangle 5$ GL AND GL-1 ARE TO BE SPLICED TOGETHER 100MM AWAY FROM MONITOR PANEL HOUSING FOR ISOLATION PURPOSES.
- $\triangle 4$ SEE MANUFACTURERS DIAGRAM FOR ADDITIONAL INFORMATION.
- $\triangle 3$ GROUNDS ARE SHOWN AS A SINGLE LINE FOR EASE IN TRACING. EACH GROUND CIRCUIT IS SEPERATE IN THE HARNESS.
- $\square 2$ NOT A SPLICE POINT. INDICATES ENTRY INTO WIRING HARNESS.
1. SPLICES ARE THEORETICAL AND MAY DIFFER IN THE HARNESS.



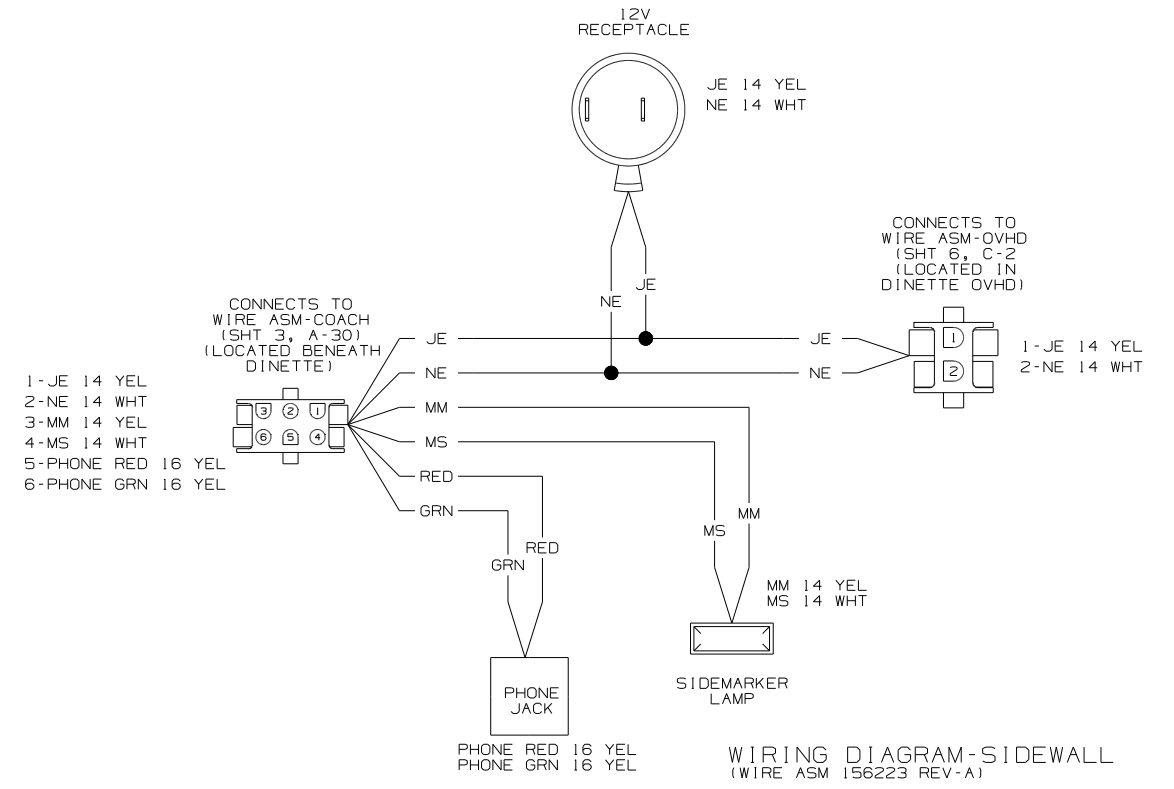
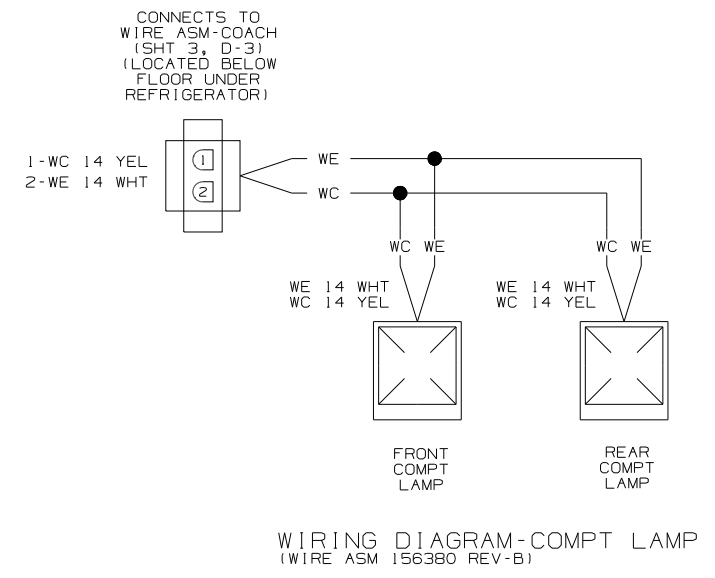
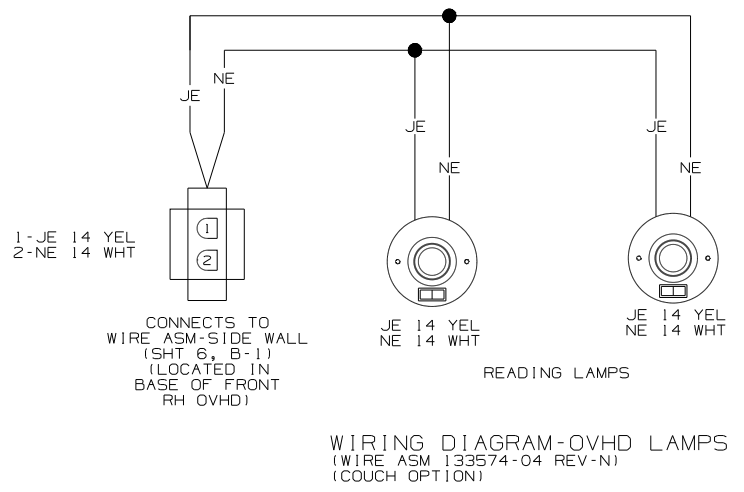
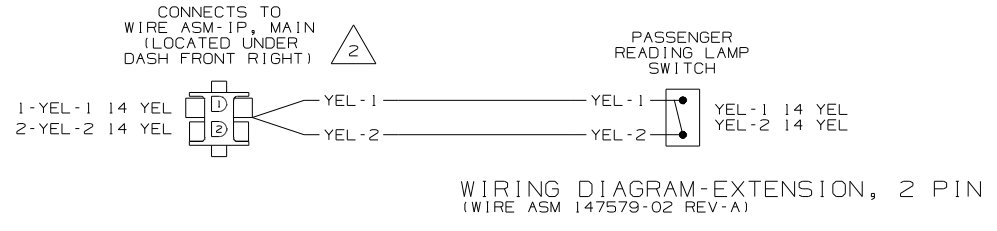
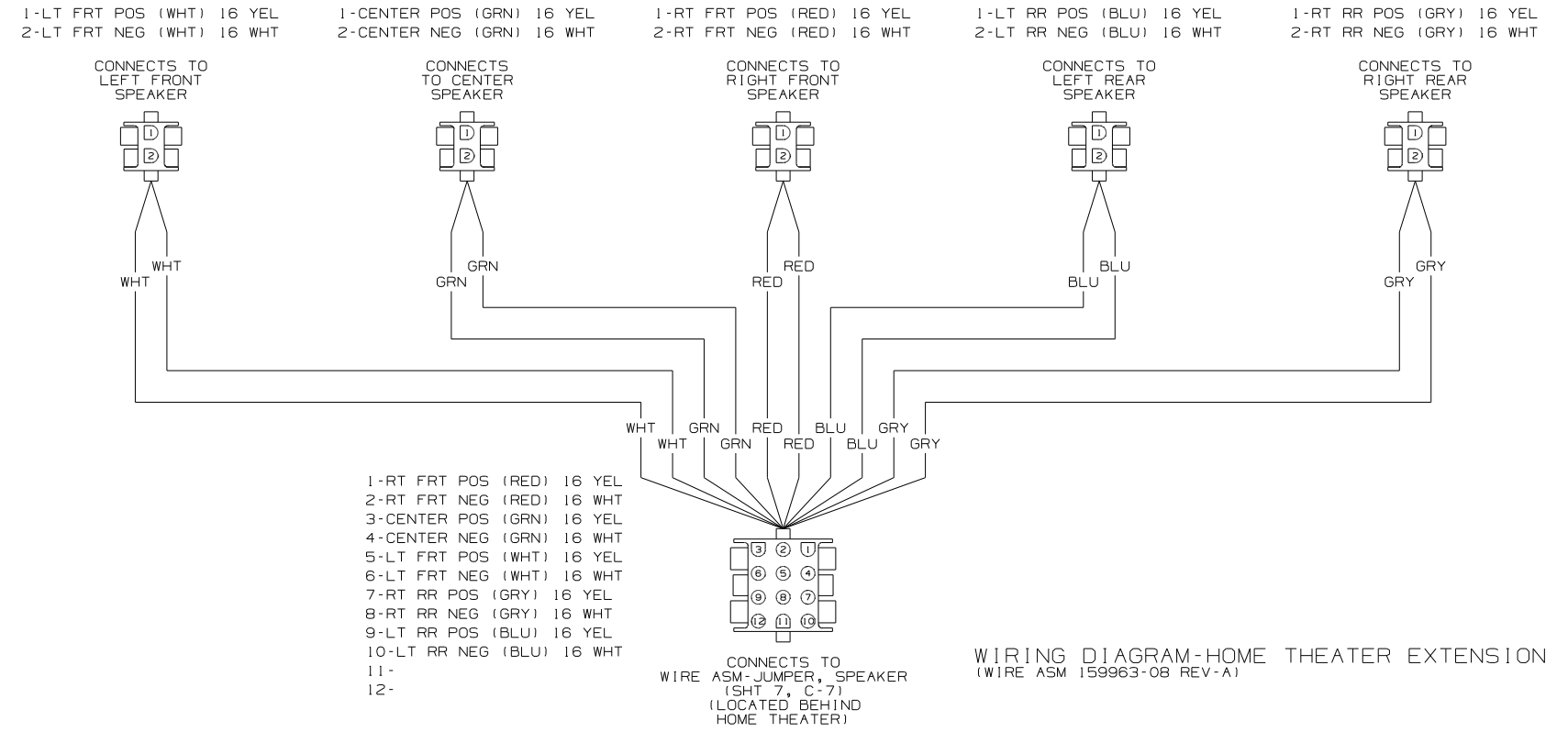
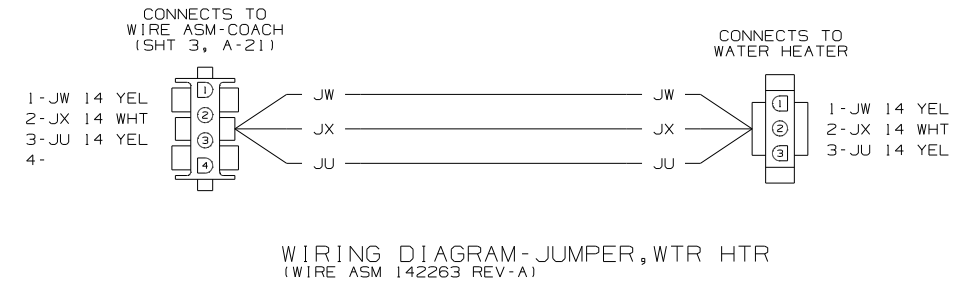


- NOTES:
- 3 SEE MANUFACTURER'S DIAGRAM FOR ADDITIONAL INFORMATION.
 - 2 SEE WIRING DIAGRAM-AUTO FOR ADDITIONAL INFORMATION.
 - 1. SPLICES ARE THEORETICAL AND MAY DIFFER IN THE HARNESS.

WIRING DIAGRAM-ROOF
(WIRE ASM 158695 REV-D)

FIRST USED	07 D33T
DO NOT SCALE DRAWING	
TITLE: WIRING DIAGRAM-BODY 12V	
SHEET 4	PART NO 158668 REV

1 4/4/2007

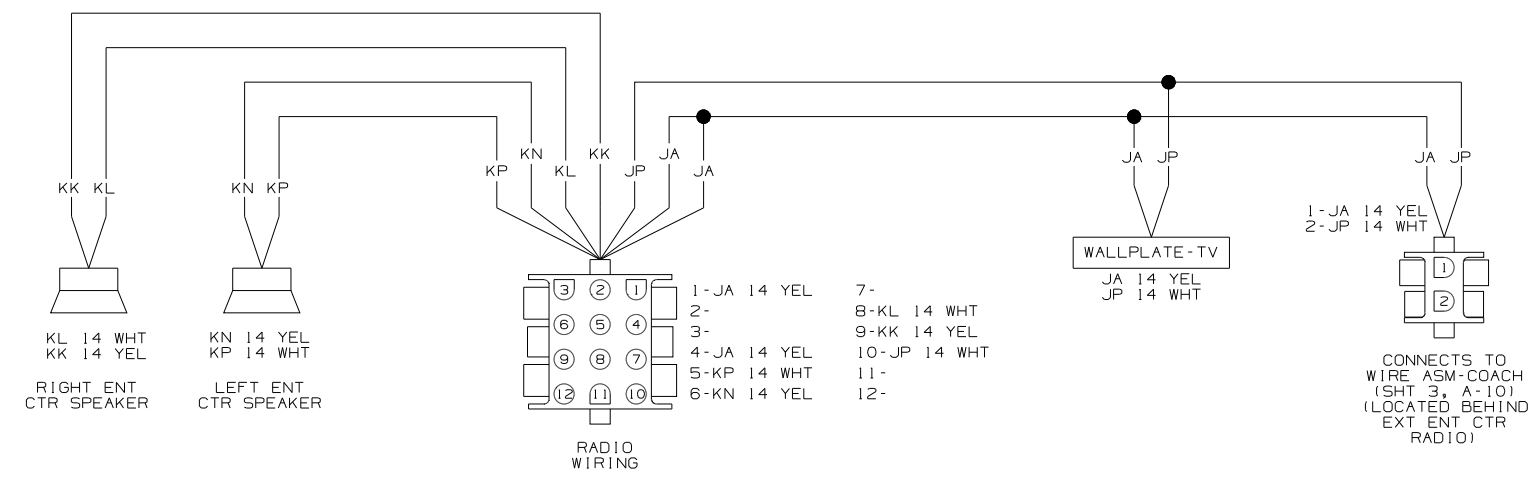


SEE WIRING DIAGRAM-AUTO FOR ADDITIONAL INFORMATION.

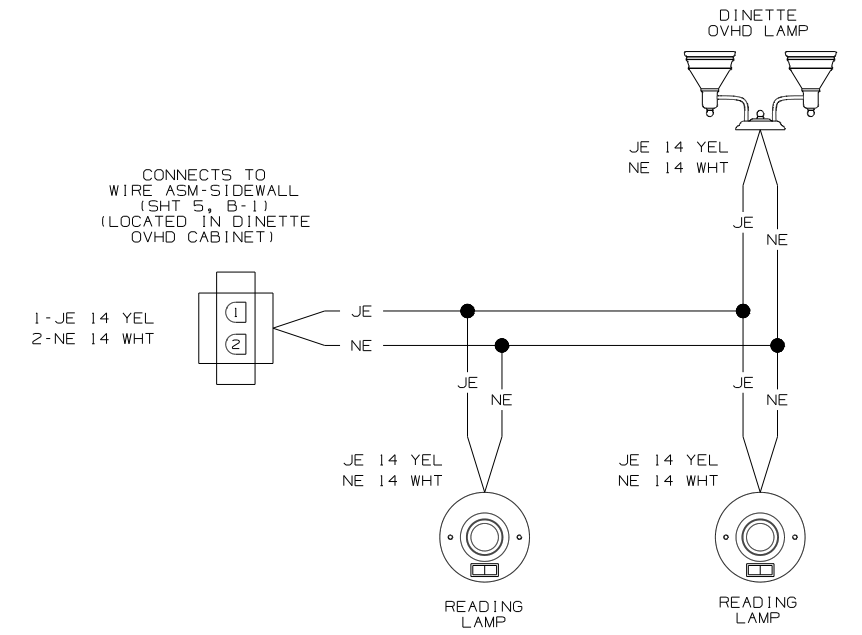
1. SPLICES ARE THEORETICAL AND MAY DIFFER IN THE HARNESS.

NOTES:

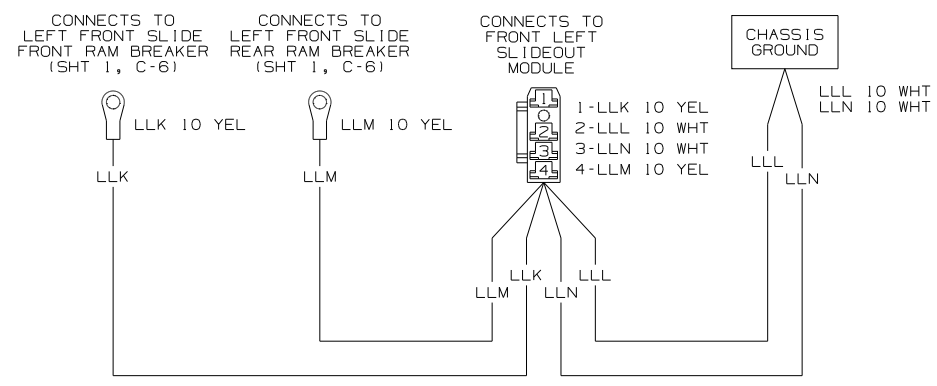
FIRST USED	07 D33T
TITLE	DO NOT SCALE DRAWING
TITLE	WIRING DIAGRAM-BODY, 12V
SHEET 5	PART NO 158668 REV



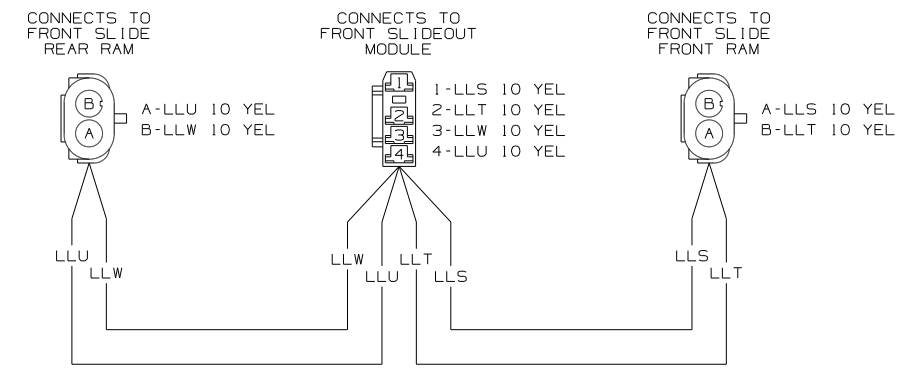
WIRING DIAGRAM-ENTERTAINMENT CENTER
(WIRE ASM 125853-04 REV-L)



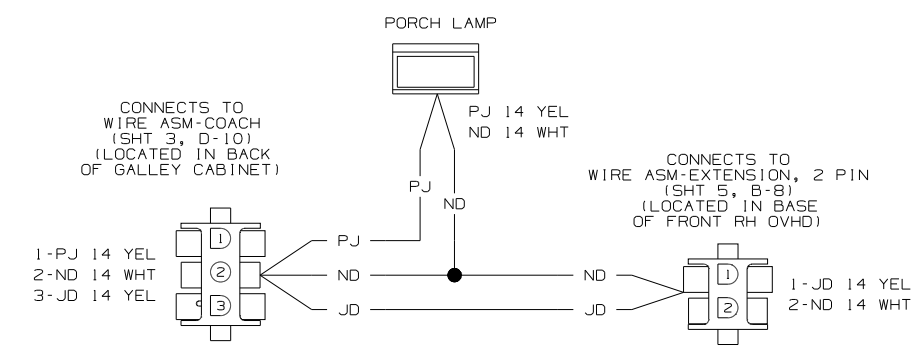
WIRING DIAGRAM-OVHD
(WIRE ASM 159317 REV-A)



WIRING DIAGRAM-SLIDEOUT POWER
(WIRE ASM 149552-04 REV-X)



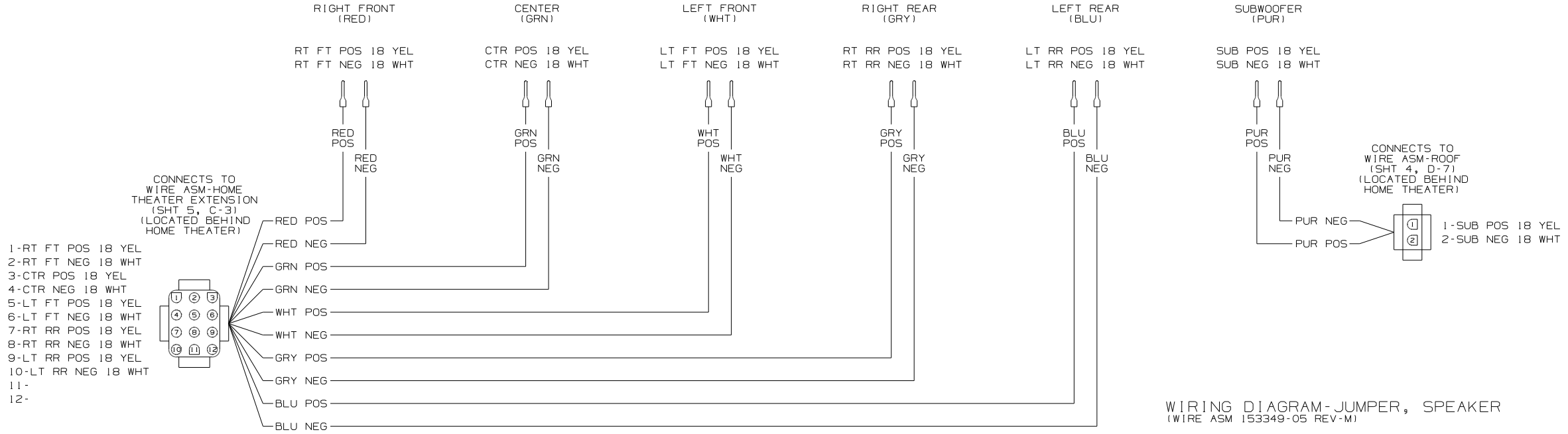
WIRING DIAGRAM-SLIDEOUT RAMS,FRONT
(WIRE ASM 149553-01 REV-T)



WIRING DIAGRAM-SIDEWALL
(WIRE ASM 145985 REV-B)

NOTES:
1. SPLICES ARE THEORETICAL AND MAY DIFFER IN THE HARNESS.

FIRST USED	07 D33T	
TITLE	DO NOT SCALE DRAWING	
	WIRING DIAGRAM-BODY, 12V	
SHEET 6	PART NO	158668
	REV	



WIRING DIAGRAM-JUMPER, SPEAKER
(WIRE ASM 153349-05 REV-M)

FIRST USED	07 D33T	
TITLE	DO NOT SCALE DRAWING	
	WIRING DIAGRAM-BODY 12V	
SHEET 7	PART NO 158668	REV