

FRONT
OF
COACH

(265) CODES/STDS-CSA/CMVSS
(1B1) CODES/STANDARDS-USA

- 8 TRIM P-TRAP EXTENSION TO FIT.
- 7 VALVE TERMINATION TEE TO BE POSITIONED AT 10° DOWN AND OUTBOARD.
- 6. SEAL AROUND SHOWER WITH SILICONE.
- 5. ALL EXTERIOR OPENINGS AROUND PIPE TO BE SEALED WITH 110744-01-000.
- 4. ALL PIPE AND FITTING TO BE ASSEMBLED WITH SOLVENT 4020-01-000 (US) 4020-02-000 (CAN)
- 3. SLOPE OF TRAP ARM MUST BE 6 PER 305 mm.
- 2. SLOPE OF HORIZONTAL PIPING TO BE 6 PER 305 mm.
- 1 VENT PIPE MUST PROJECT 51 MIN AND 64 MAX ABOVE ROOF FOR PROPER FIT.

NOTES:

(X-X)
FOR
DRAINAGE
CALLOUTS
SEE DWG NO
116229-01-000

WINNEBAGO		COPYRIGHT 2007 WINNEBAGO INDUSTRIES, INC.	
D/FR	ORIG. DATE	ALL DIMENSIONS ARE IN MILLIMETERS	
CHKR			
P.E.			
M.E.	FIRST USED		
DSNR	07 D33T		
UNSPECIFIED TOLERANCES ARE:		MATERIAL:	
WHOLE DIM (X)	: 3		
ONE-PLACE (X.X)	:		
TWO-PLACE (X.XX)	:		
ANGLE	:		
THIRD ANGLE PROJECTION			
DO NOT SCALE DRAWING			
TITLE: DRAINAGE SYSTEM INSTL			
SHEET 1 OF 3	PART NO	158753	REV
REF:	1 5/15/2007		

- SINK - SMC, DBL
- 148870-02-CHT (US/CAN)
- STRAINER
- 92303-01-000 (2)
- BRACKET
- 140002-01-CHT (10)
- SCREW
- G67-01-08B (8)
- SEAL (A/R)
- WASHER
- 127440-02-CHT (2)

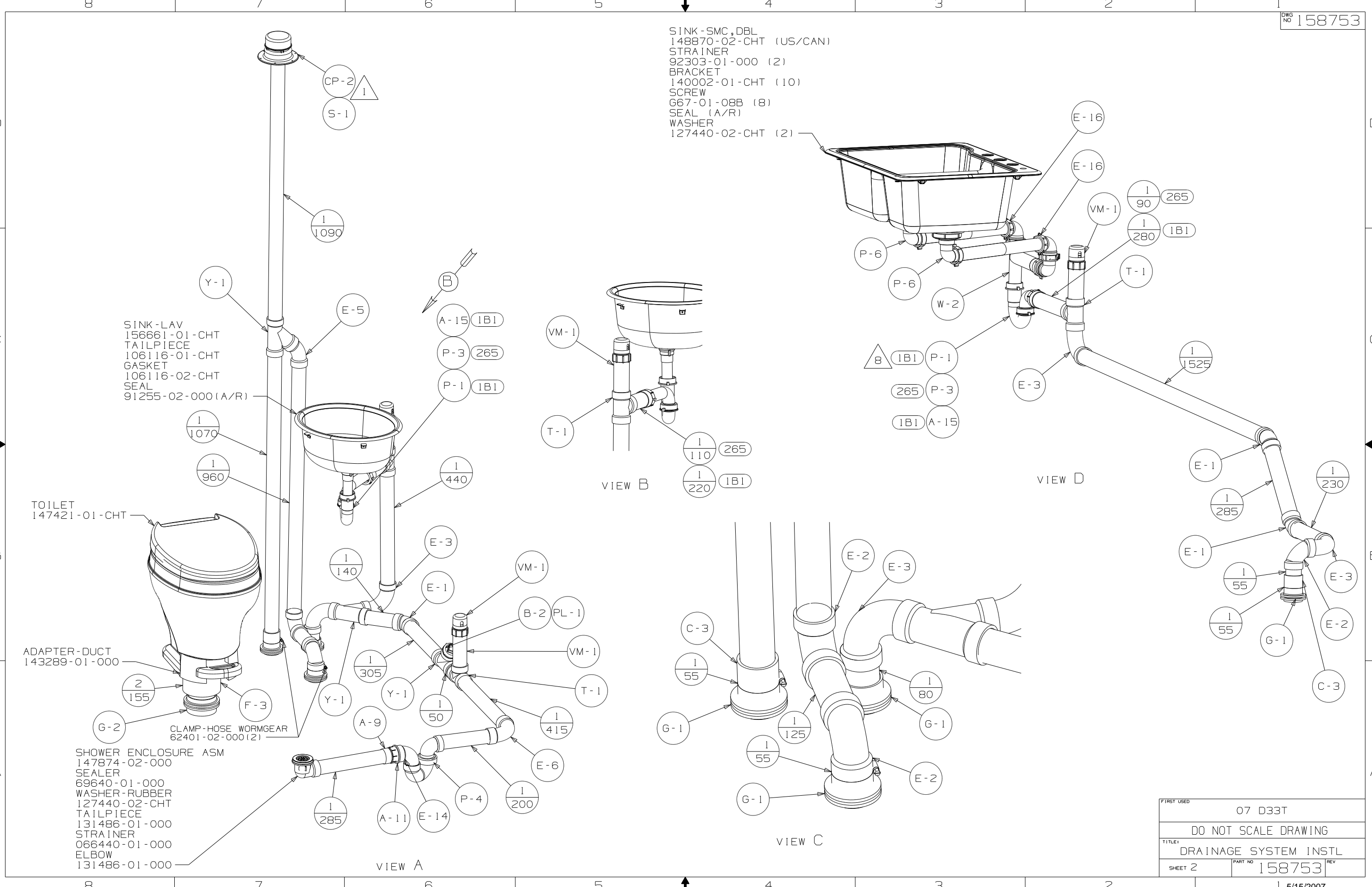
- SINK - LAV
- 156661-01-CHT
- TAILPIECE
- 106116-01-CHT
- GASKET
- 106116-02-CHT
- SEAL
- 91255-02-000 (A/R)

- TOILET
- 147421-01-CHT

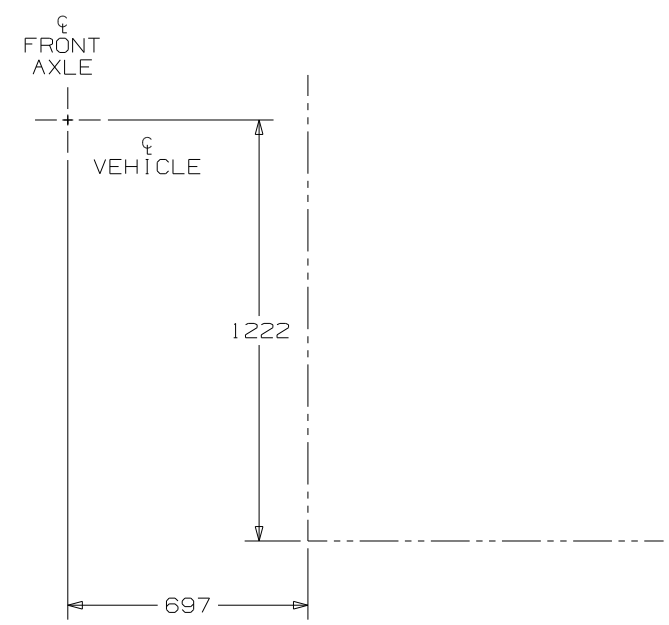
- ADAPTER-DUCT
- 143289-01-000

- SHOWER ENCLOSURE ASM
- 147874-02-000
- SEALER
- 69640-01-000
- WASHER-RUBBER
- 127440-02-CHT
- TAILPIECE
- 131486-01-000
- STRAINER
- 066440-01-000
- ELBOW
- 131486-01-000

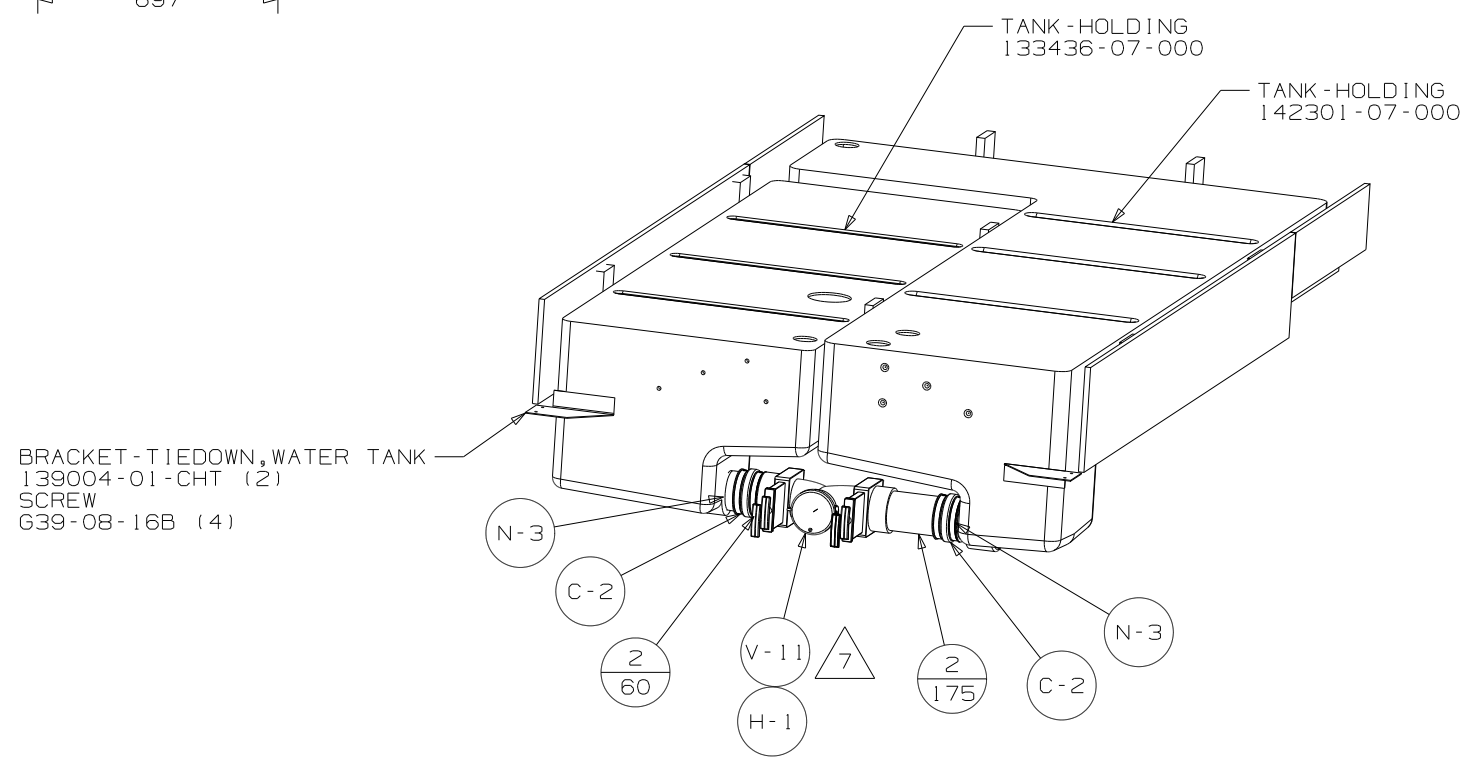
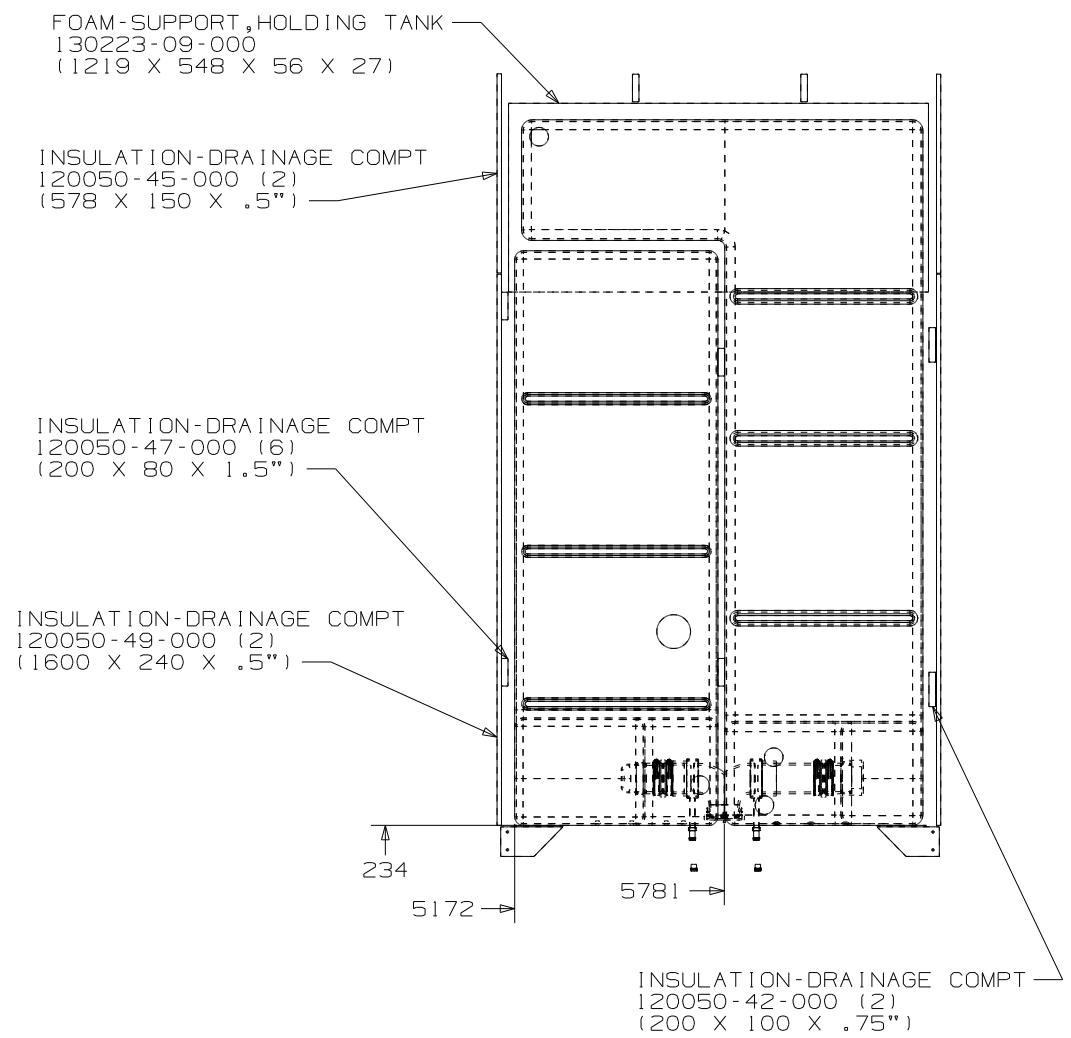
- CLAMP-HOSE WORMGEAR
- 62401-02-000 (2)



FIRST USED	07 D33T	
TITLE	DO NOT SCALE DRAWING	
	DRAINAGE SYSTEM INSTL	
SHEET 2	PART NO	158753
	REV	

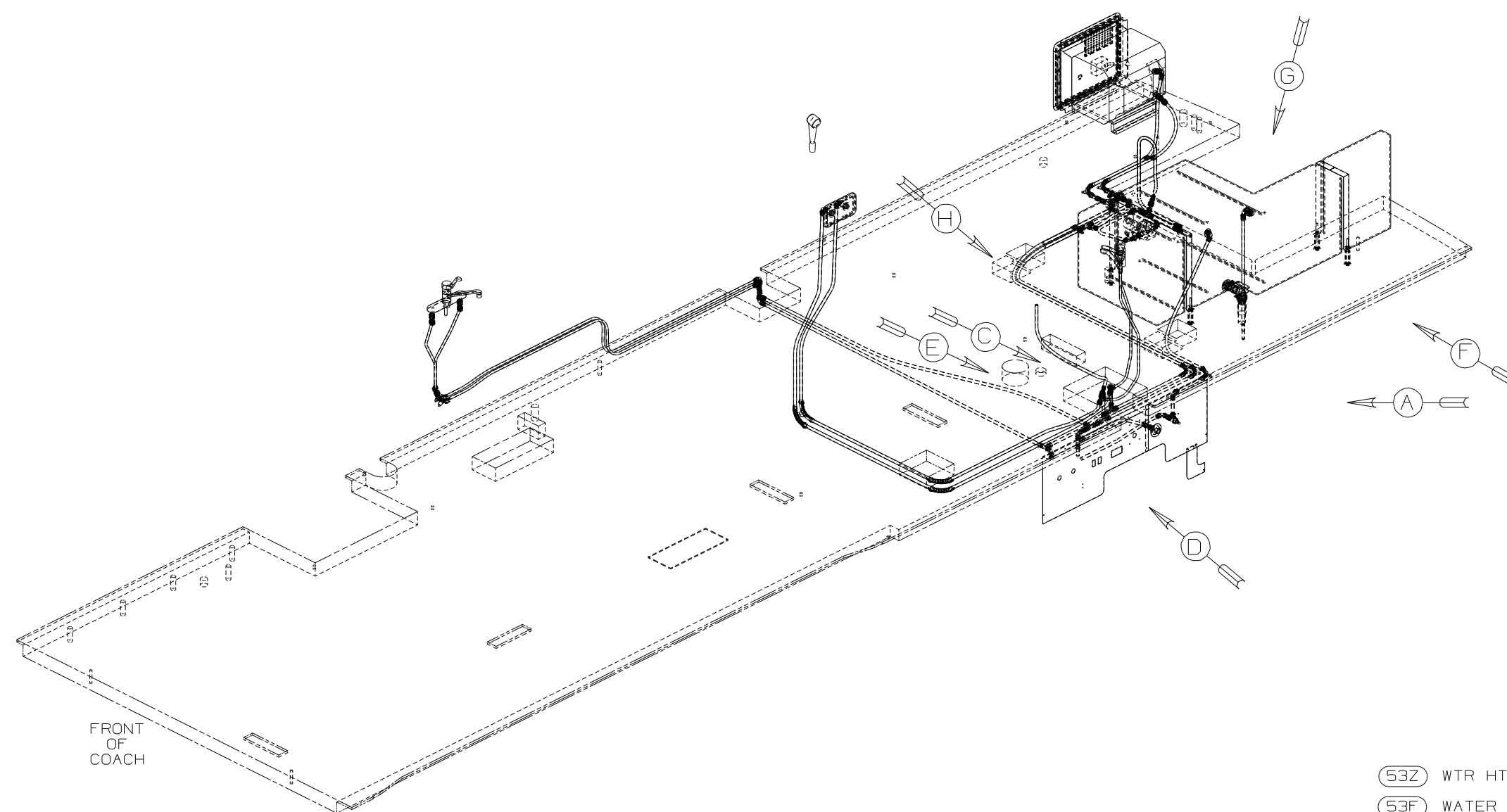


VIEW E



VIEW F

FIRST USED	07 D33T	
TITLE	DO NOT SCALE DRAWING	
	DRAINAGE SYSTEM INSTL	
SHEET 3	PART NO	158753
	REV	



- (53Z) WTR HTR-6GAL/110/LP/MTR/AUTO
- (53F) WATER HEATER-ELEC. IGNITION
- (64R) EXTERIOR WASH STATION
- (1J4) EXT WASH STATION-WITHOUT

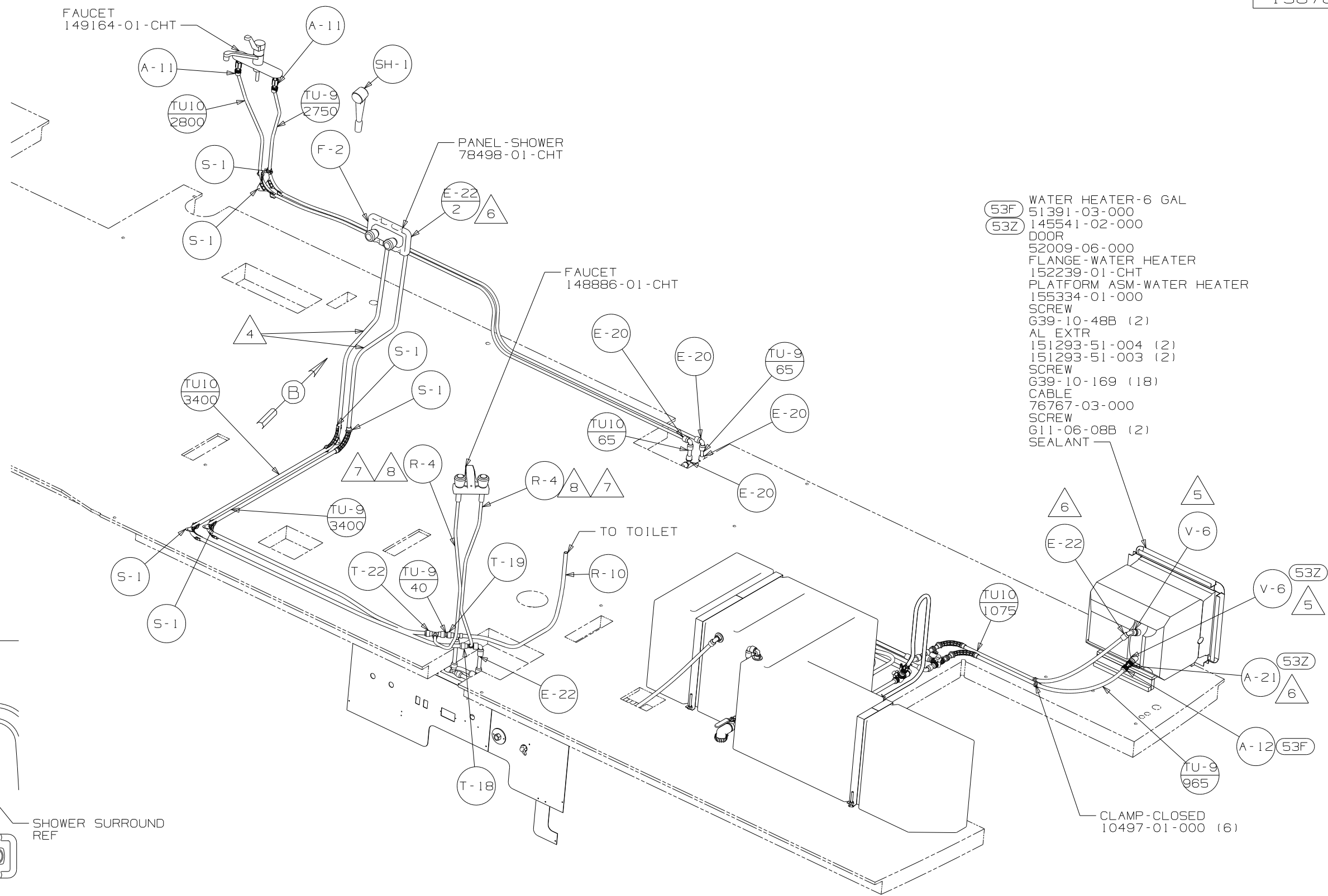
- 9 ADD TEFLON TAPE 10405-03-000.
- 8 LABEL HOT AND COLD SUPPLY TUBES.
- 7 TAPE FITTING TO TUBE BEFORE CABINET SET TO PREVENT FITTING FROM MOVING.
- 6 ADD TEFLON TAPE 10405-01-000.
- 5 ADD TEFLON TAPE 10405-02-000.
- 4 ADD PIPE WRAP (LADDER SCRAP 110157-02-000) INSULATION HERE.

- 3. ALL TUBING TO BE SECURED AT 1200 INTERVALS MAXIMUM WITH CLAMP 10495-01-000 OR EQUIVALENT AND SCREW G67-10-12B.
- 2. TUBING TO BE INSTALLED WITH SUFFICIENT SLOPE TO PROVIDE DRAINAGE TO NEAREST VALVE.
- 1. PLASTIC FITTINGS TO BE SEALED WITH SEALANT 84456-01-000.

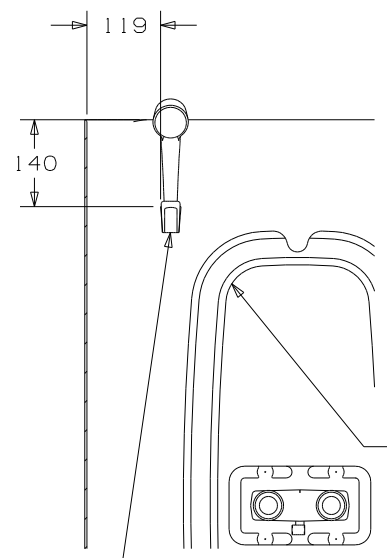
NOTES:

(X-X)
FOR
WATER
CALLOUTS
SEE DWG NO
116230-01-000

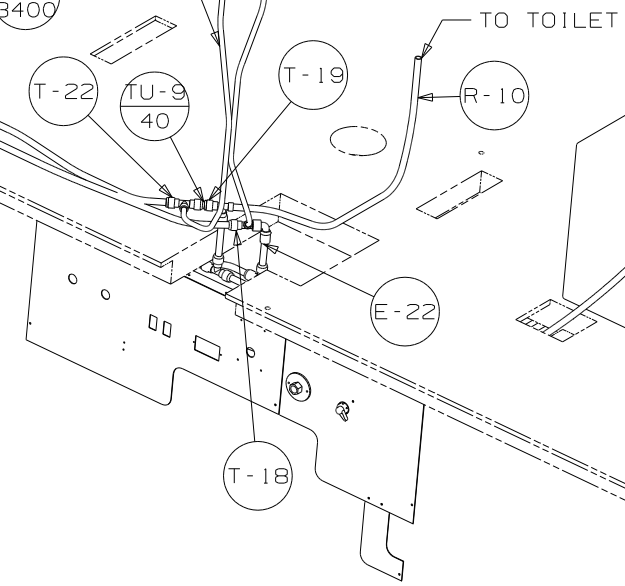
WINNEBAGO		COPYRIGHT 2006 WINNEBAGO INDUSTRIES, INC.	
DFTR	ORIG. DATE	ALL DIMENSIONS ARE IN MILLIMETERS	
CHKR		FIRST USED	
P.E.		07 D33T	
M.E.		UNSPECIFIED TOLERANCES ARE:	
DSNR		MATERIAL:	
		WHOLE DIM (X) :	3
		ONE-PLACE (X.X) :	
		TWO-PLACE (X.XX) :	
		ANGLE :	
THIRD ANGLE PROJECTION		DO NOT SCALE DRAWING	
TITLE: WATER SYSTEM INSTL			
SHEET 1 OF 4	PART NO	158782	REV
REF:	12/14/2006		



- (53F) WATER HEATER-6 GAL
51391-03-000
- (53Z) 145541-02-000
DOOR
52009-06-000
FLANGE-WATER HEATER
152239-01-CHT
PLATFORM ASM-WATER HEATER
155334-01-000
SCREW
G39-10-48B (2)
AL EXTR
151293-51-004 (2)
151293-51-003 (2)
SCREW
G39-10-169 (18)
CABLE
76767-03-000
SCREW
G11-06-08B (2)
SEALANT



VIEW B



VIEW A

FIRST USED	07 D33T
TITLE	DO NOT SCALE DRAWING
TITLE	WATER SYSTEM INSTL
SHEET 2	PART NO 158782 REV

PANEL - SERVICE CENTER
148582-02-CHT

PANEL - SERVICE CENTER
139549-02-CHT

PANEL - SERVICE CENTER
159583-01-CHT

VIEW D

TO GALLEY

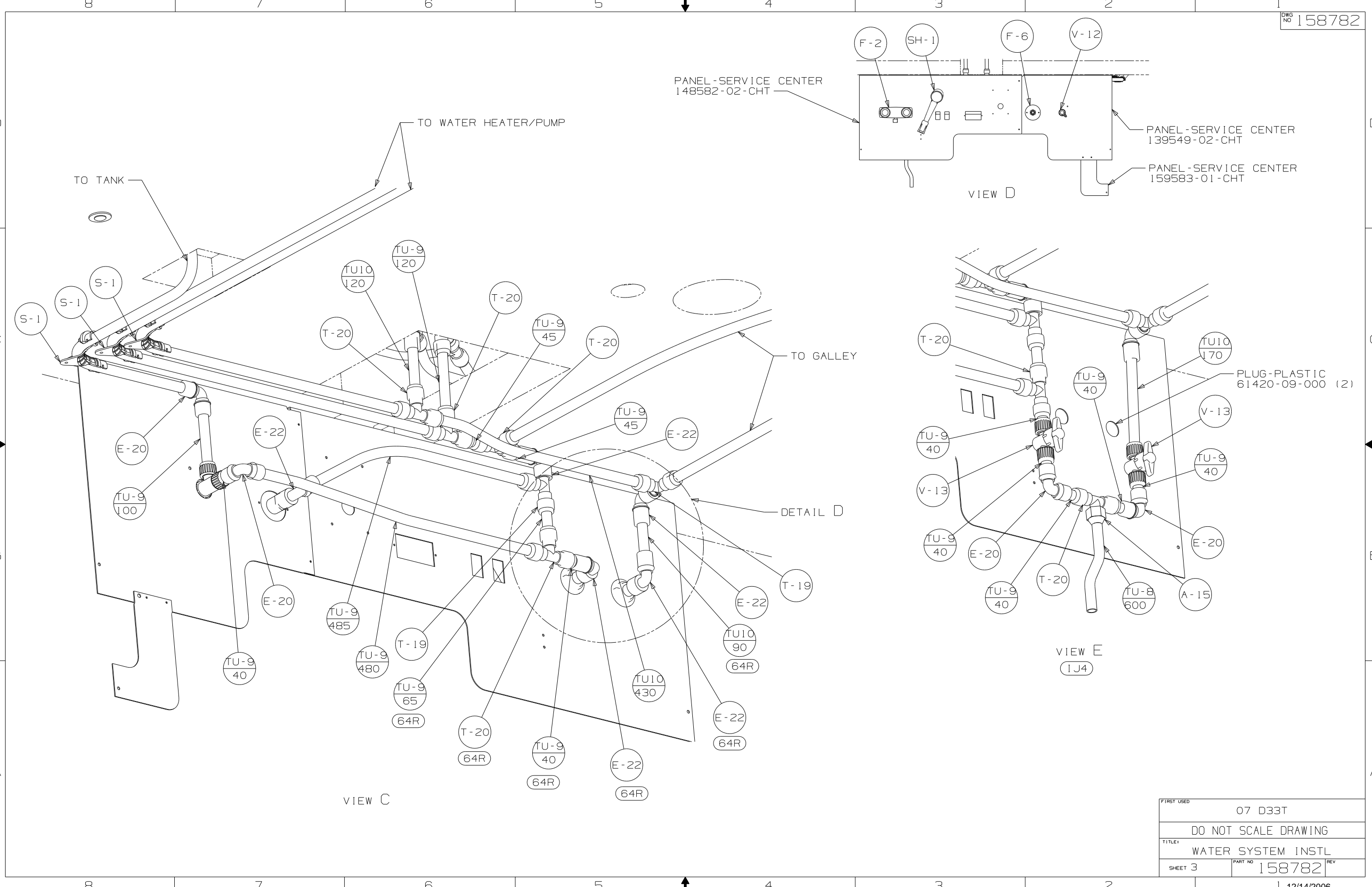
DETAIL D

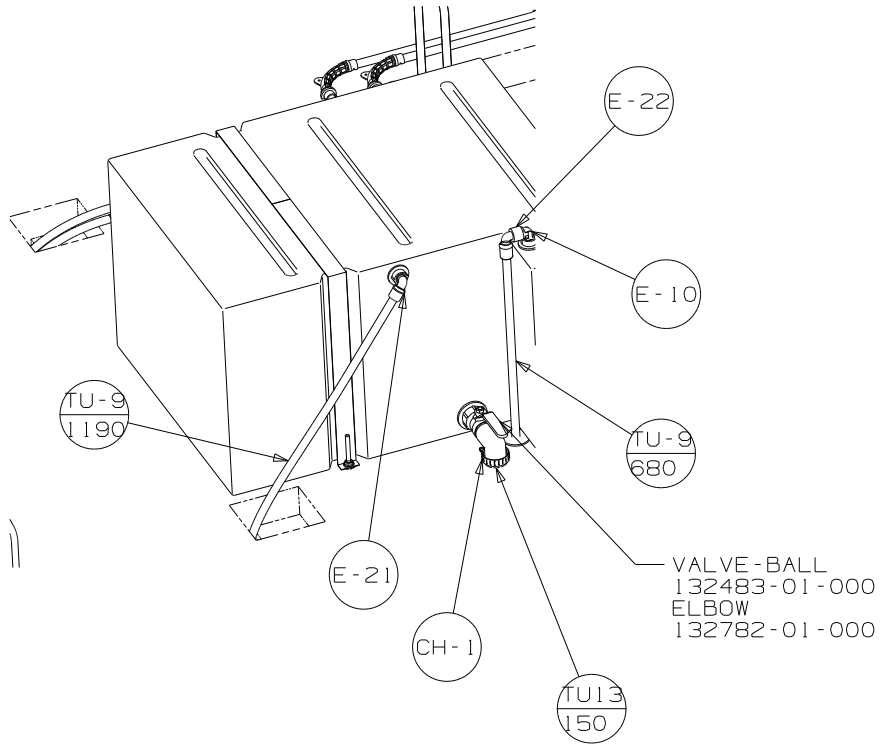
PLUG-PLASTIC
61420-09-000 (2)

VIEW E
(IJ4)

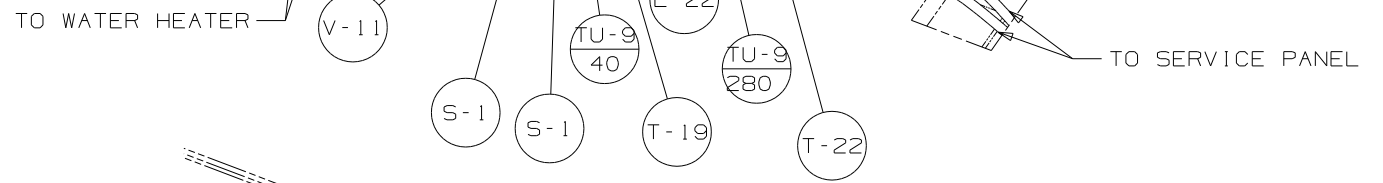
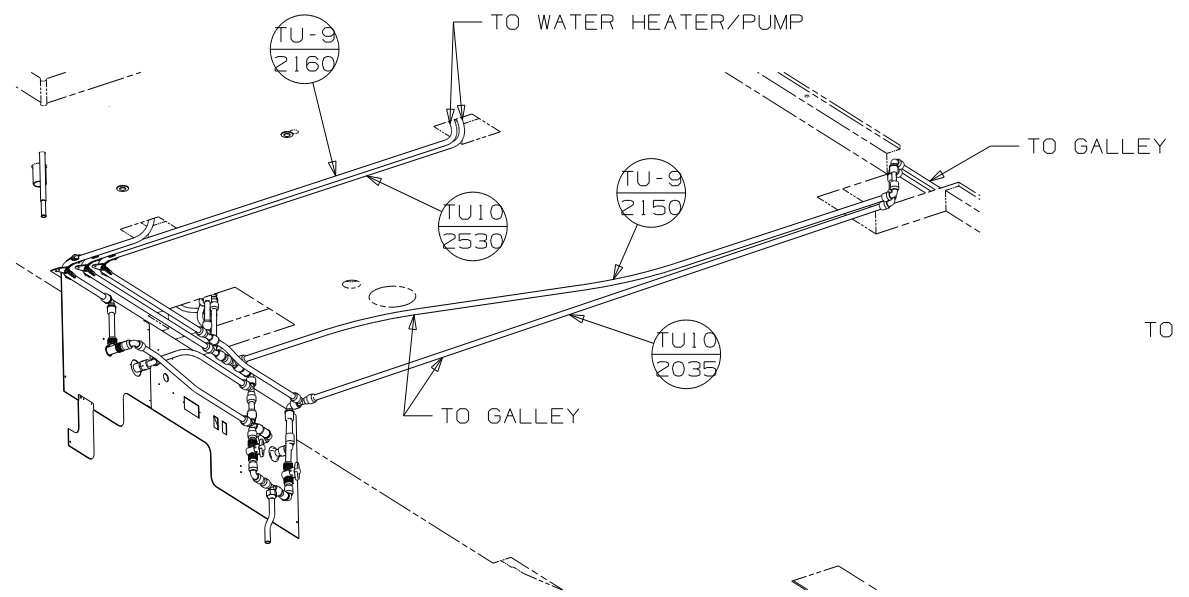
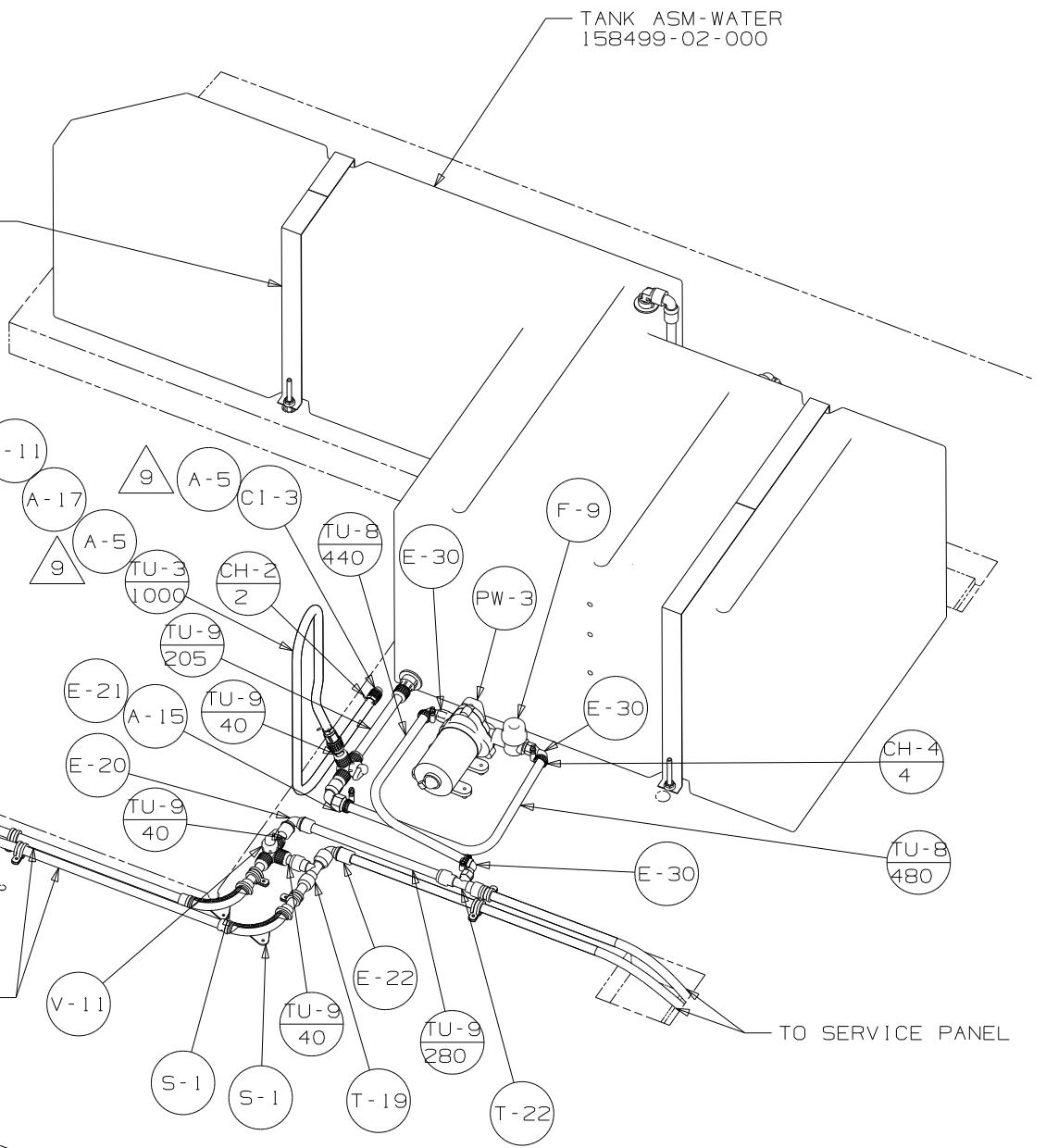
VIEW C

FIRST USED	07 D33T
DO NOT SCALE DRAWING	
TITLE:	WATER SYSTEM INSTL
SHEET 3	PART NO 158782 REV





- STRAP-TANK, WATER
- 118994-11-CHT
- 118994-04-CHT
- BOLT
- C16-05-96B (4)
- WASHER
- E13-22-00B (4)
- NUT
- D39-06-00B (8)
- PIPE
- 10644-51-002 (4)



VIEW F

VIEW G

VIEW H

FIRST USED	07 D33T
TITLE	DO NOT SCALE DRAWING
TITLE	WATER SYSTEM INSTL
SHEET 4	PART NO 158782 REV