

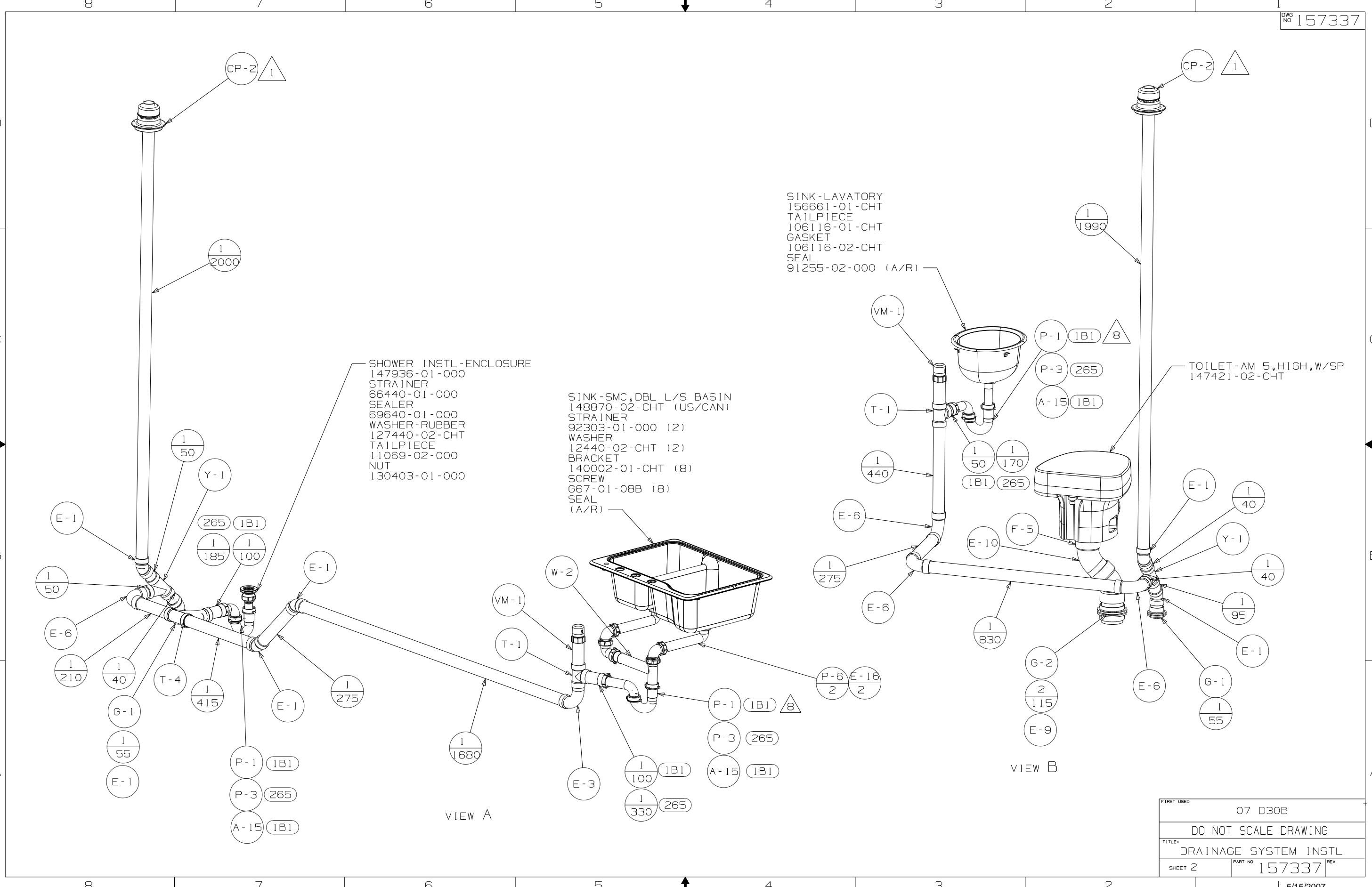
- 8 TRIM P-TRAP EXTENSION TO FIT.
- 7 VALVE TERMINATION TEE TO BE POSITIONED AT 10° DOWN AND OUTBOARD.
- 6. SEAL AROUND SHOWER WITH SILICONE.
- 5. ALL EXTERIOR OPENINGS AROUND PIPE TO BE SEALED WITH 110744-01-000.
- 4. ALL PIPE AND FITTING TO BE ASSEMBLED WITH SOLVENT 4020-01-000 (US), 4020-02-000 (CAN).
- 3. SLOPE OF TRAP ARM MUST BE 6 PER 305 mm.
- 2. SLOPE OF HORIZONTAL PIPING TO BE 6 PER 305 mm.
- 1 VENT PIPE MUST PROJECT 51 MIN AND 64 MAX ABOVE ROOF FOR PROPER FIT.

NOTES:

(265) CODES/STDS-CSA/CMVSS
 (1B1) CODES/STANDARDS-USA

WINNEBAGO		COPYRIGHT 2007 WINNEBAGO INDUSTRIES, INC.	
D/FR	ORIG. DATE	ALL DIMENSIONS ARE IN MILLIMETERS	
CHKR		FIRST USED	
P.E.		07 D30B	
M.E.		UNSPECIFIED TOLERANCES ARE:	
DSNR		MATERIAL:	
		WHOLE DIM (X) :	3
		ONE-PLACE (X.X) :	
		TWO-PLACE (X.XX) :	
		ANGLE :	
THIRD ANGLE PROJECTION		DO NOT SCALE DRAWING	
TITLE: DRAINAGE SYSTEM INSTL			
SHEET 1 OF 3	PART NO	157337	REV
REF:	1 5/15/2007		

(X-X)
 FOR
 DRAINAGE
 CALLOUTS
 SEE DWG NO
 116229-01-000



SHOWER INSTL-ENCLOSURE
 147936-01-000
 STRAINER
 66440-01-000
 SEALER
 69640-01-000
 WASHER-RUBBER
 127440-02-CHT
 TAILPIECE
 11069-02-000
 NUT
 130403-01-000

SINK-SMC, DBL L/S BASIN
 148870-02-CHT (US/CAN)
 STRAINER
 92303-01-000 (2)
 WASHER
 12440-02-CHT (2)
 BRACKET
 140002-01-CHT (8)
 SCREW
 G67-01-08B (8)
 SEAL
 (A/R)

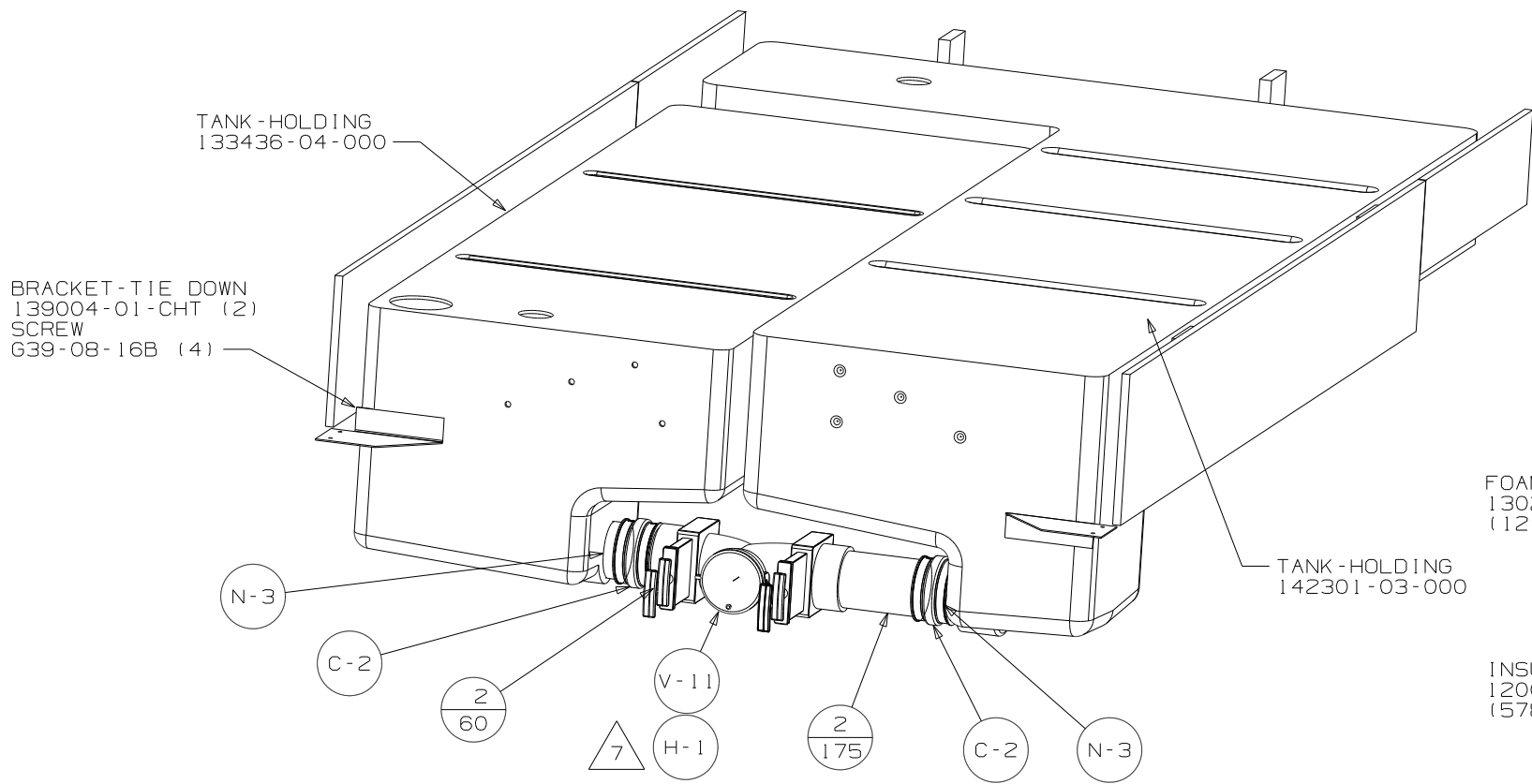
SINK-LAVATORY
 156661-01-CHT
 TAILPIECE
 106116-01-CHT
 GASKET
 106116-02-CHT
 SEAL
 91255-02-000 (A/R)

TOILET-AM 5,HIGH,W/SP
 147421-02-CHT

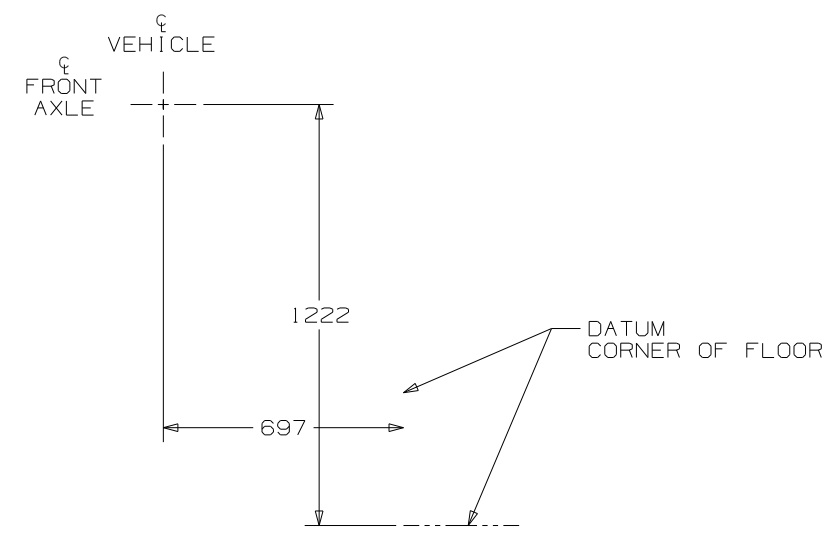
VIEW A

VIEW B

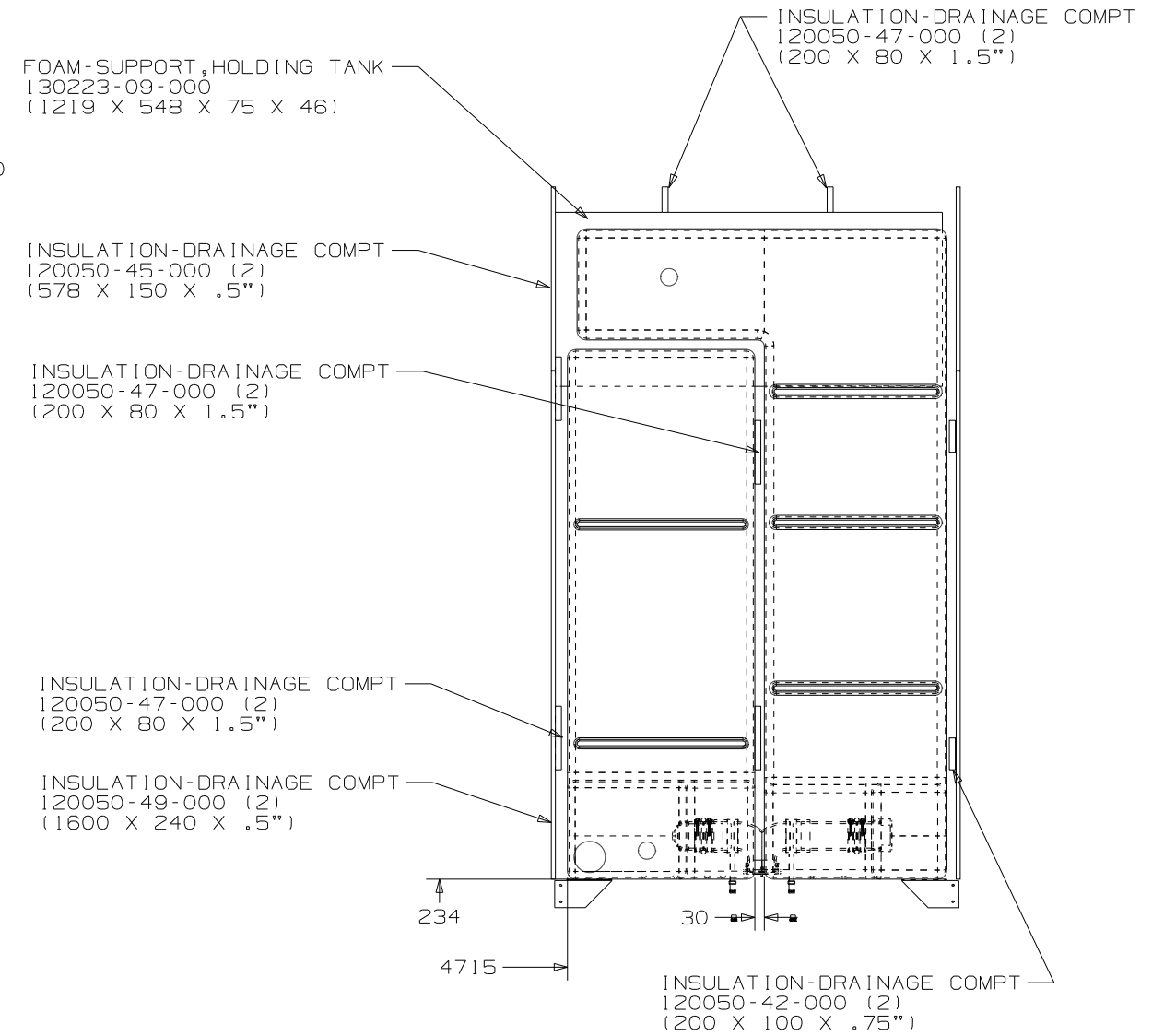
FIRST USED	07 D30B		
TITLE	DO NOT SCALE DRAWING		
	DRAINAGE SYSTEM INSTL		
SHEET 2	PART NO	157337	REV
			1 5/15/2007



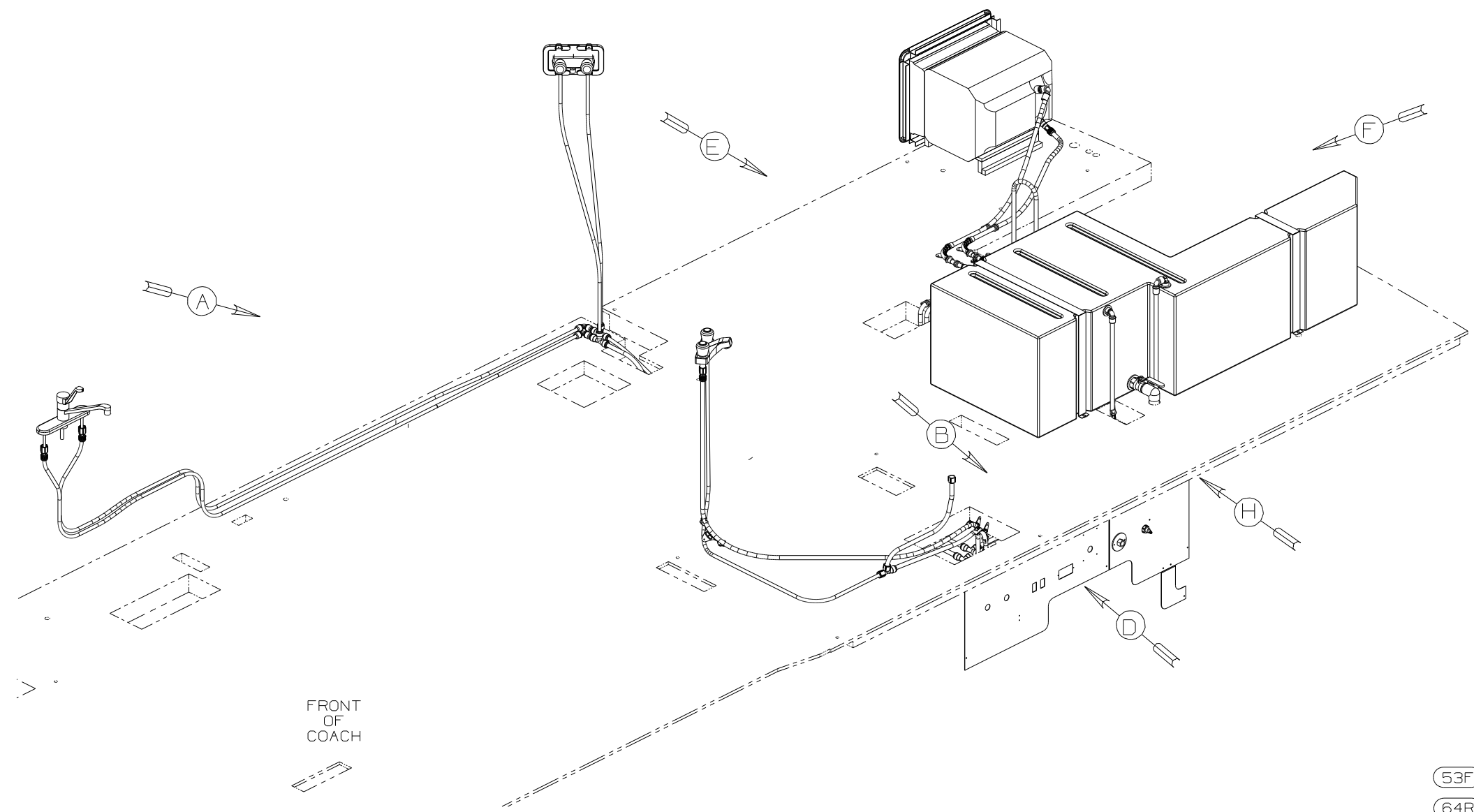
VIEW C



VIEW D



FIRST USED	07 D30B		
TITLE	DO NOT SCALE DRAWING		
	DRAINAGE SYSTEM INSTL		
SHEET 3	PART NO	157337	REV



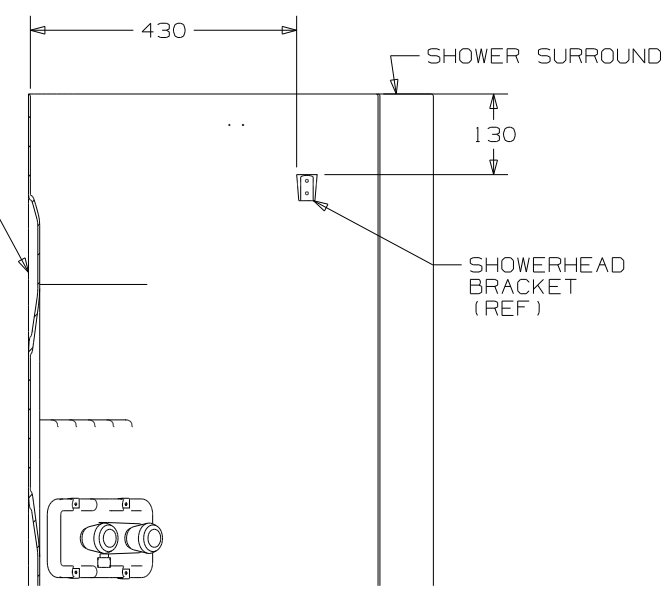
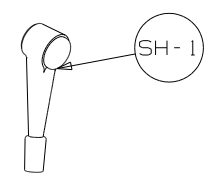
FRONT
OF
COACH

- NOTES:
- 1. PLASTIC FITTINGS TO BE SEALED WITH SEALANT 84456-01-000.
 - 2. TUBING TO BE INSTALLED WITH SUFFICIENT SLOPE TO PROVIDE DRAINAGE TO NEAREST VALVE.
 - 3. ALL TUBING TO BE SECURED AT 1200 INTERVALS MAXIMUM WITH CLAMP 10495-01-000 AND SCREW G67-10-12B, OR EQUIVALENT.
 - 4. CLAMPS MUST BE ON BARBS.
 - 5. ADD TEFLON TAPE 10405-02-000 TO FITTING.
 - 6. ADD TEFLON TAPE 10405-03-000 TO FITTING.
 - 7. ADD TEFLON TAPE 10405-01-000 TO FITTING.
 - 8. TAPE FITTING TO TUBE BEFORE CABINET SET, TO PREVENT FITTING FROM MOVING.
 - 9. LABEL THE HOT AND COLD SUPPLY TUBES.
 - 10. ADD PIPE WRAP (LADDER SCRAP) INSULATION HERE.

- (53F) WATER HEATER-ELEC. IGNITION
- (64R) EXTERIOR WASH STATION
- (1J4) EXTERIOR WASH STATION W/O
- (53Z) WTR HTR-6GAL/110/LP/MTR/AUTO

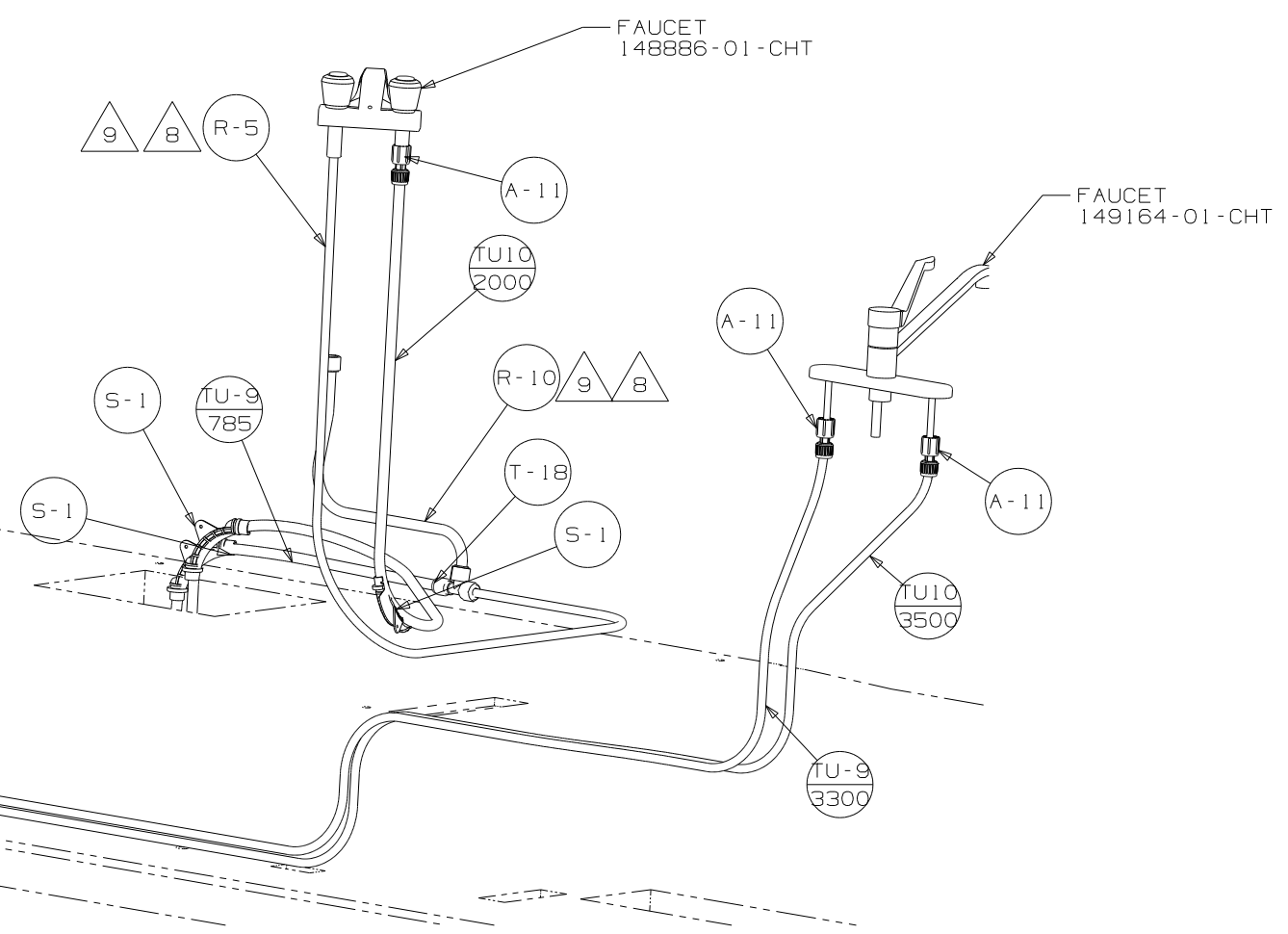
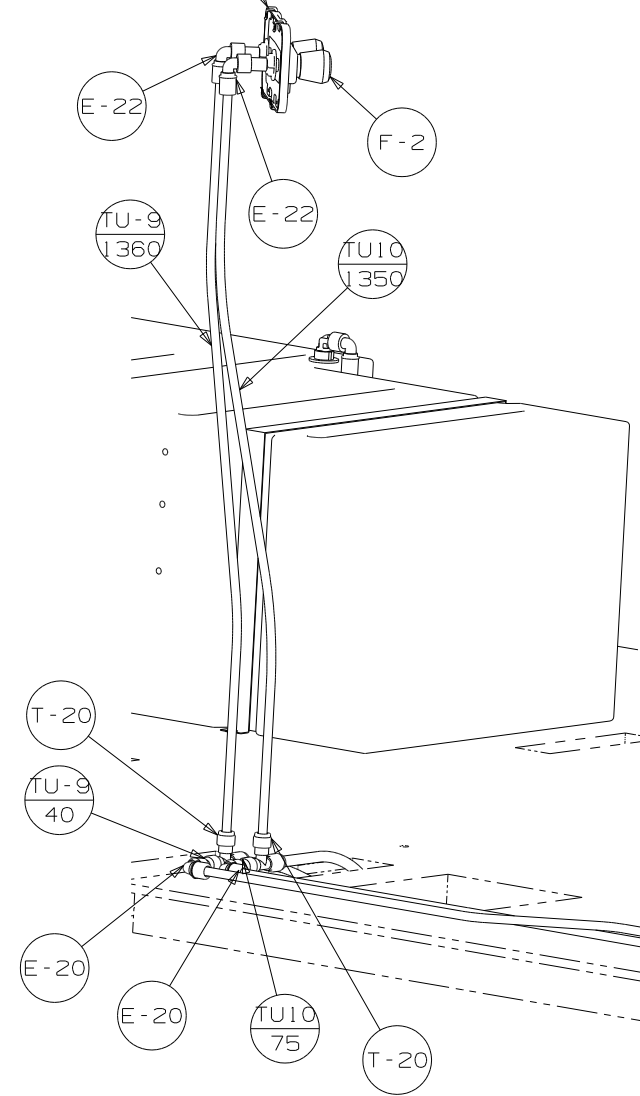
(X-X)
FOR
WATER
CALLOUTS
SEE DWG NO
116230-01-000

WINNEBAGO		COPYRIGHT 2006 WINNEBAGO INDUSTRIES, INC.	
DFTR	ORIG. DATE	ALL DIMENSIONS ARE IN MILLIMETERS	
CHKR		FIRST USED	
P.E.		07 D30B	
M.E.		UNSPECIFIED TOLERANCES ARE:	
DSNR		MATERIAL:	
		WHOLE DIM (X)	: 3
		ONE-PLACE (X.X)	:
		TWO-PLACE (X.XX)	:
		ANGLE	:
THIRD ANGLE PROJECTION		DO NOT SCALE DRAWING	
TITLE: WATER SYSTEM INSTL			
SHEET 1 OF 4	PART NO	157338	REV
REF:	12/21/2006		



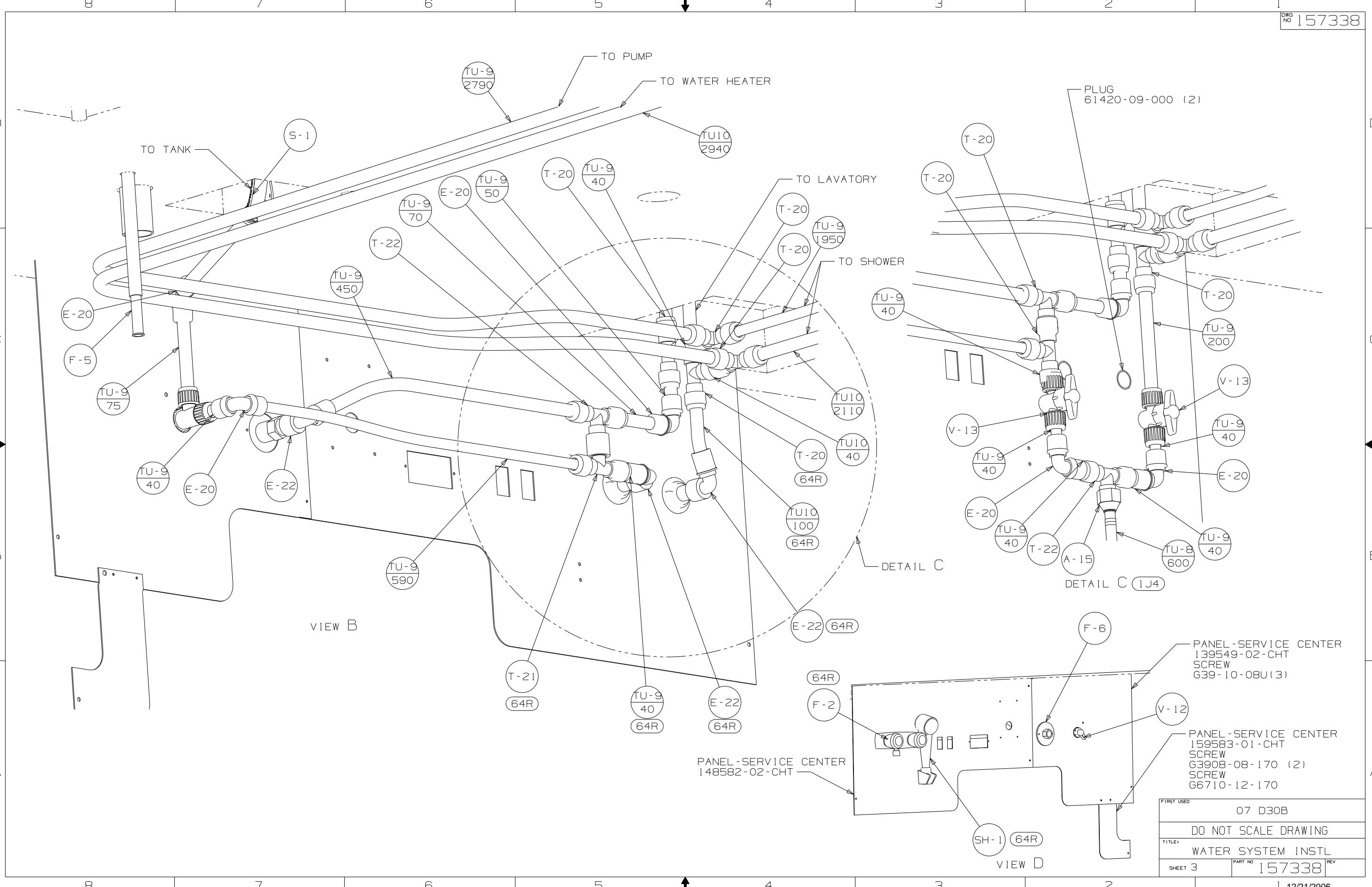
VIEW G

PANEL - SHOWER
78498-01-CHT
NUT - SPEED-U
40921-05-000 (4)



VIEW A

FIRST USED	07 D30B
TITLE	DO NOT SCALE DRAWING
TITLE	WATER SYSTEM INSTL
SHEET 2	PART NO 157338
	REV 1 12/21/2006



VIEW B

DETAIL C

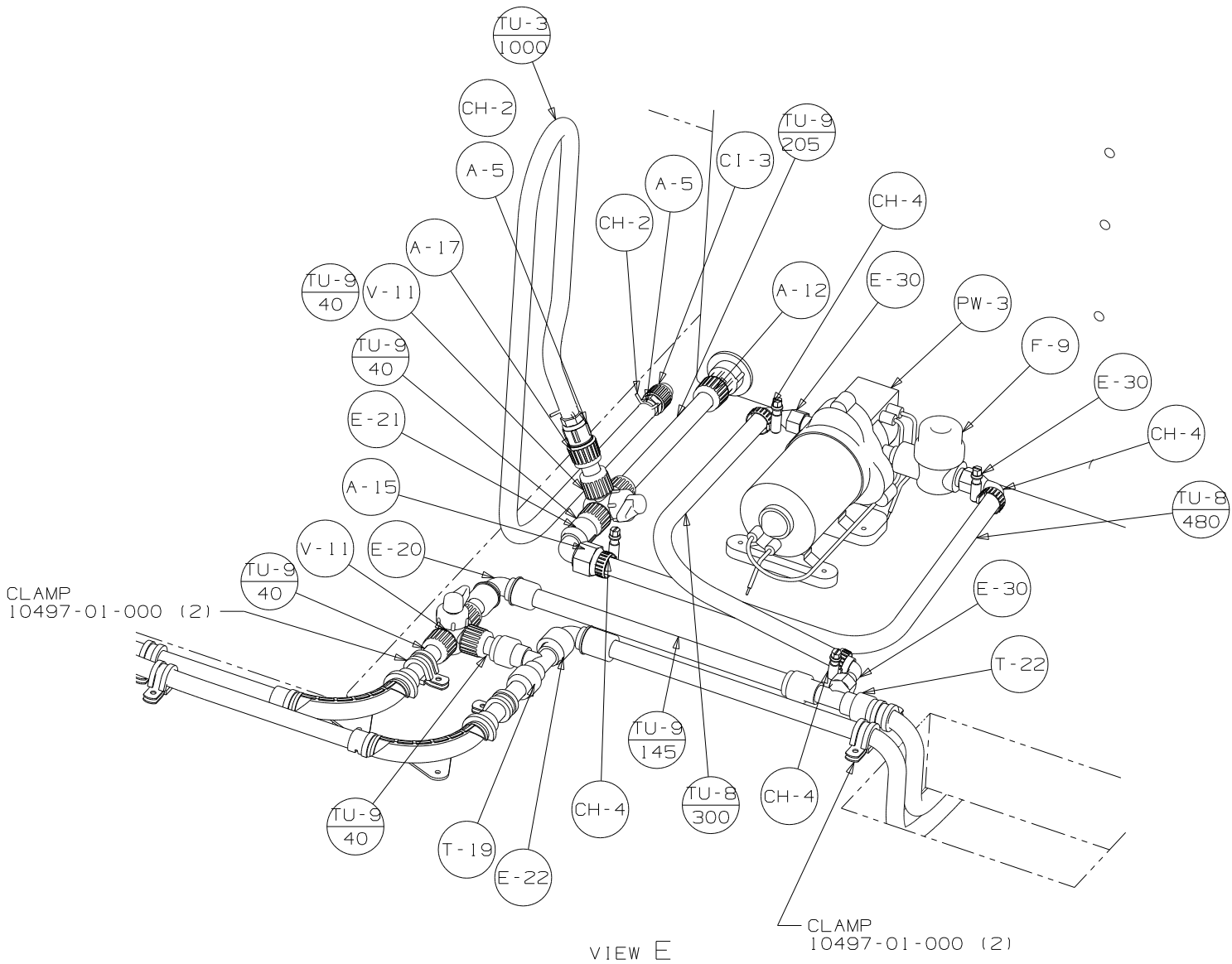
DETAIL C (1J4)

PANEL-SERVICE CENTER
148582-02-CHT

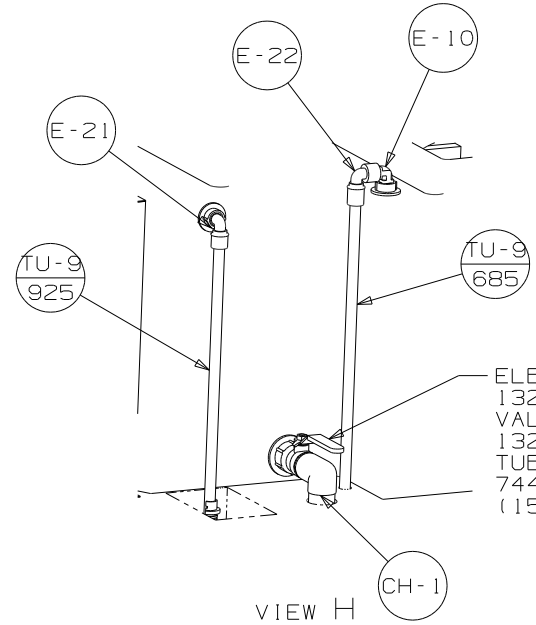
PANEL-SERVICE CENTER
139549-02-CHT
SCREW
G39-10-08U (3)

PANEL-SERVICE CENTER
159583-01-CHT
SCREW
G3908-08-170 (2)
SCREW
G6710-12-170

FIRST USED	07 D30B
TITLE	DO NOT SCALE DRAWING
TITLE	WATER SYSTEM INSTL
SHEET 3	PART NO 157338 REV

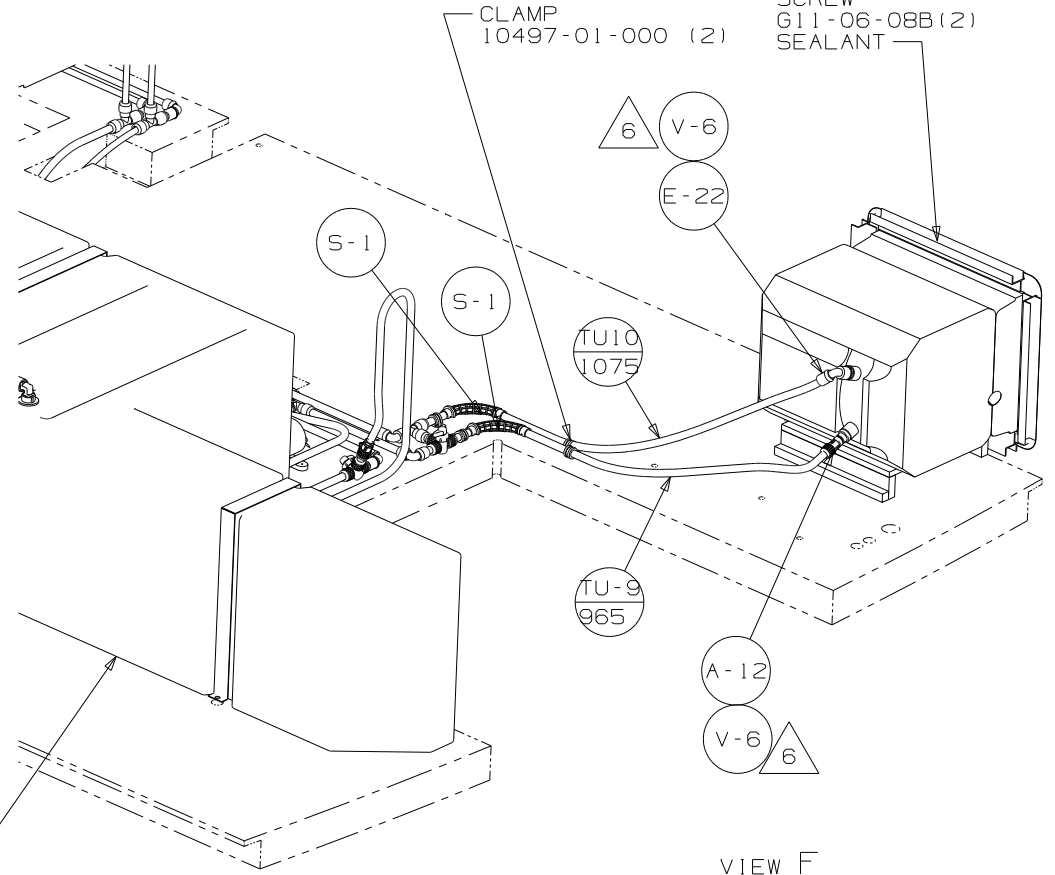


VIEW E



VIEW H

- TANK ASM-WATER 158499-02-000
- STRAAP-TANK, WATER 118994-11-CHT
- 118994-04-CHT
- BOLT C16-05-96B (4)
- WASHER E13-22-00B (4)
- NUT D39-06-00B (8)
- PIPE 10644-51-002 (4)



VIEW F

- (53F) WATER HEATER-6 GAL 51391-03-000
- (53Z) 145541-02-000
- DOOR 052009-06-000
- FLANGE-WATER HEATER 152239-01-CHT
- PLATFORM ASM-WATER HEATER 155334-01-000
- SCREW G39-10-48B (2)
- AL EXTR 151293-51-004 (2)
- 151293-51-003 (2)
- SCREW G39-10-169 (18)
- CABLE 76767-03-000
- SCREW G11-06-08B (2)
- SEALANT

FIRST USED	07 D30B		
TITLE	DO NOT SCALE DRAWING		
TITLE	WATER SYSTEM INSTL		
SHEET 4	PART NO	157338	REV