

FRONT  
OF  
COACH

(265) CODES/STDS-CSA/CMVSS  
(1B1) CODES/STANDARDS-USA



D/FR	ORIG. DATE
CHKR	ALL DIMENSIONS ARE IN MILLIMETERS
P.E.	
M.E.	FIRST USED
DSNR	07 D29R
UNSPECIFIED TOLERANCES ARE:	MATERIAL:
HOLE DIM (X)	: 3
ONE-PLACE (X.X)	:
TWO-PLACE (X.XX)	:
ANGLE	:
THIRD ANGLE PROJECTION	

DO NOT SCALE DRAWING

TITLE:	DRAINAGE SYSTEM INSTL
SHEET 1 OF 3	PART NO 157341

FOR  
DRAINAGE  
CALLOUTS  
SEE DWG NO  
116229-01-000

- 7 SECURE VENT TUBES TO FLOOR WITH BRACKET 95061-01-000 (2). CLAMP 62401-02-000 AND SCREW G67-10-12B (2)
- 6 VENT PIPE MUST PROJECT 51 MIN AND 64 MAX ABOVE ROOF FOR PROPER FIT AND FUNCTION.
5. SEAL AROUND SHOWER WITH SILICONE.
4. ALL EXTERIOR OPENINGS AROUND PIPE TO BE SEALED WITH 131264-03-000.
3. ALL PIPE AND FITTINGS TO BE ASSEMBLED WITH SOLVENT 4020-01-000 (US), 4020-02-000 (CAN).
2. SLOPE OF TRAP ARM MUST BE 6 PER 305 mm.
1. SLOPE OF HORIZONTAL PIPING TO BE MIN 3 PER 305 mm.

NOTES:

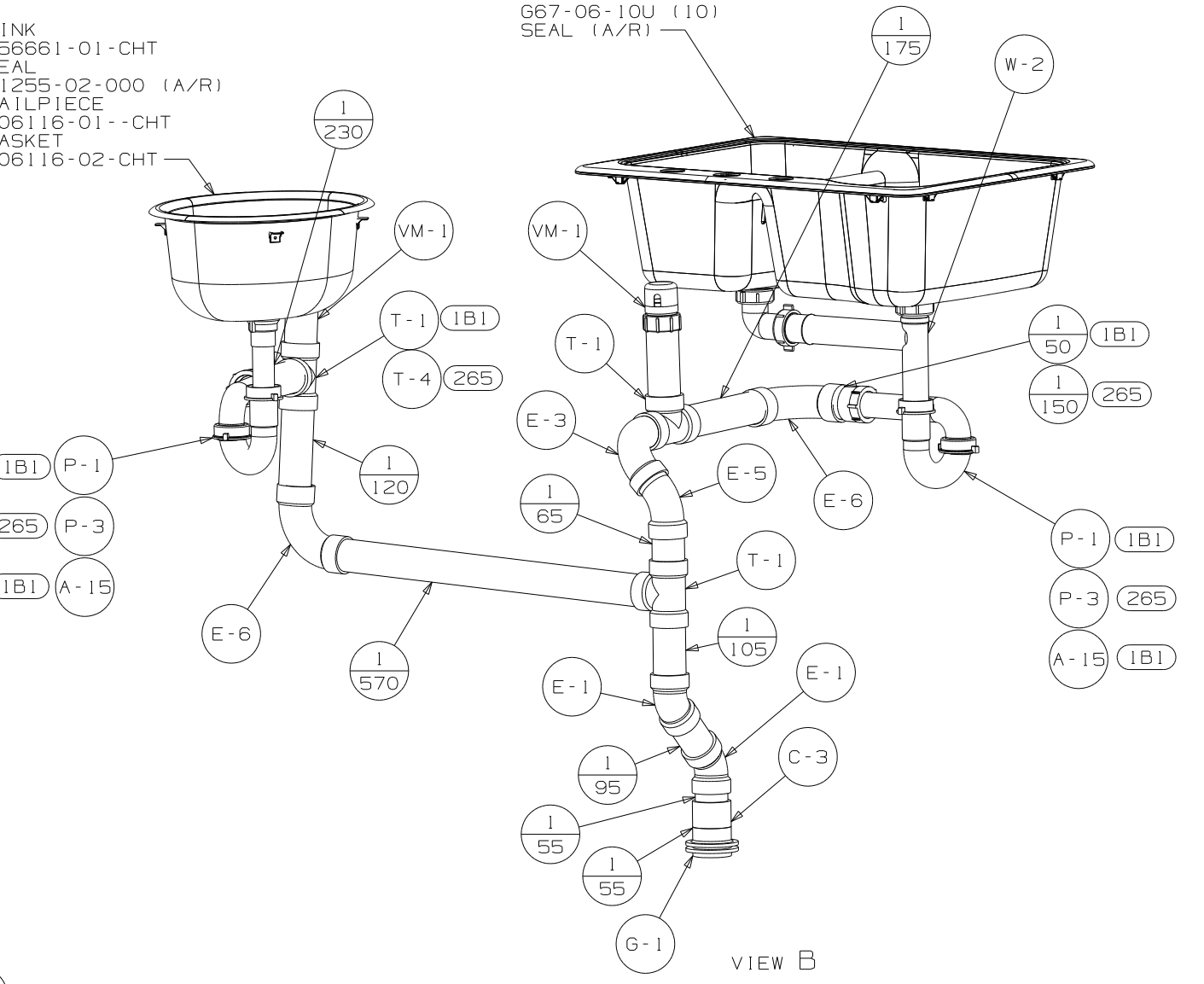
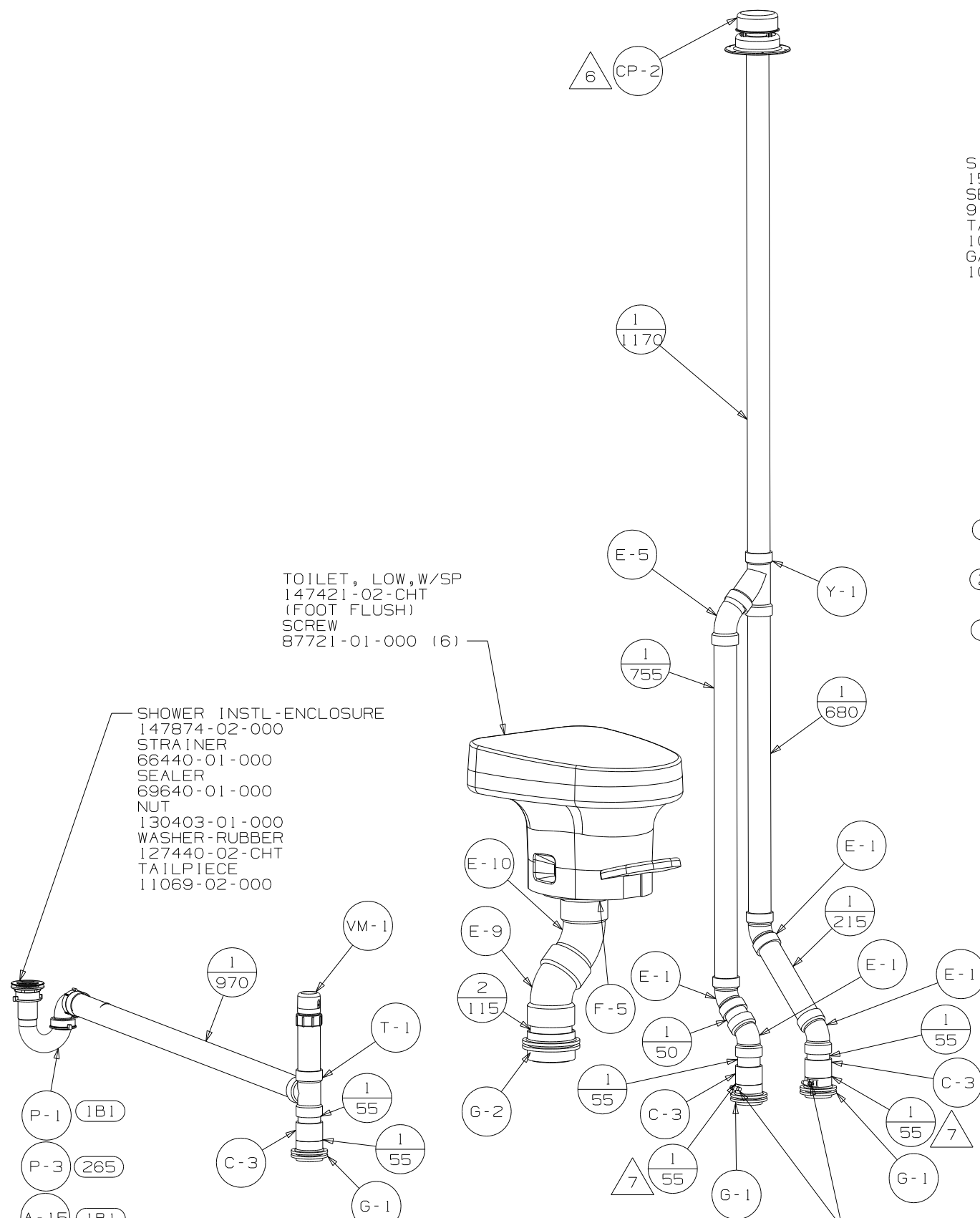
SINK-DBL L/S BASIN  
 148870-02-CHT (US/CAN)  
 STRAINER  
 92303-01-000 (2)  
 BRACKET  
 140002-07-CHT (8)  
 SCREW  
 G67-06-10U (10)  
 SEAL (A/R)

SINK  
 156661-01-CHT  
 SEAL  
 91255-02-000 (A/R)  
 TAILPIECE  
 106116-01--CHT  
 GASKET  
 106116-02-CHT

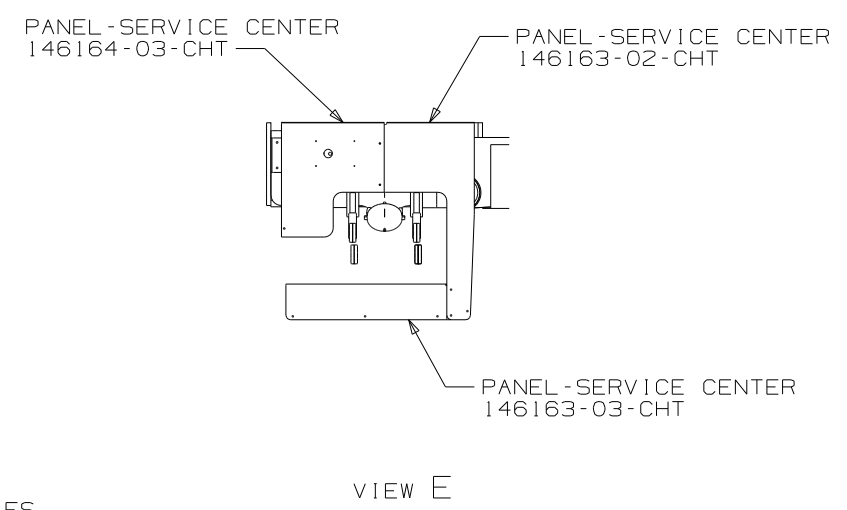
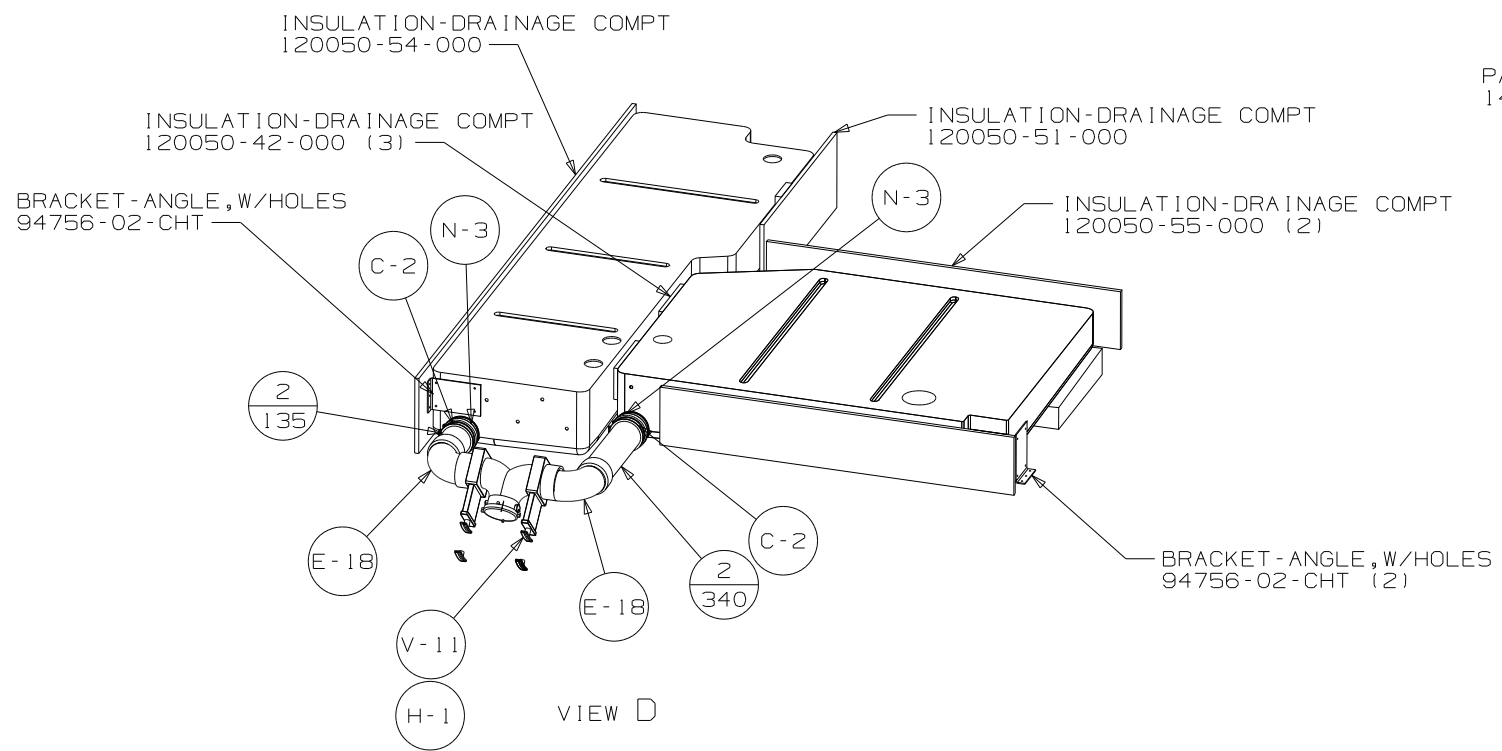
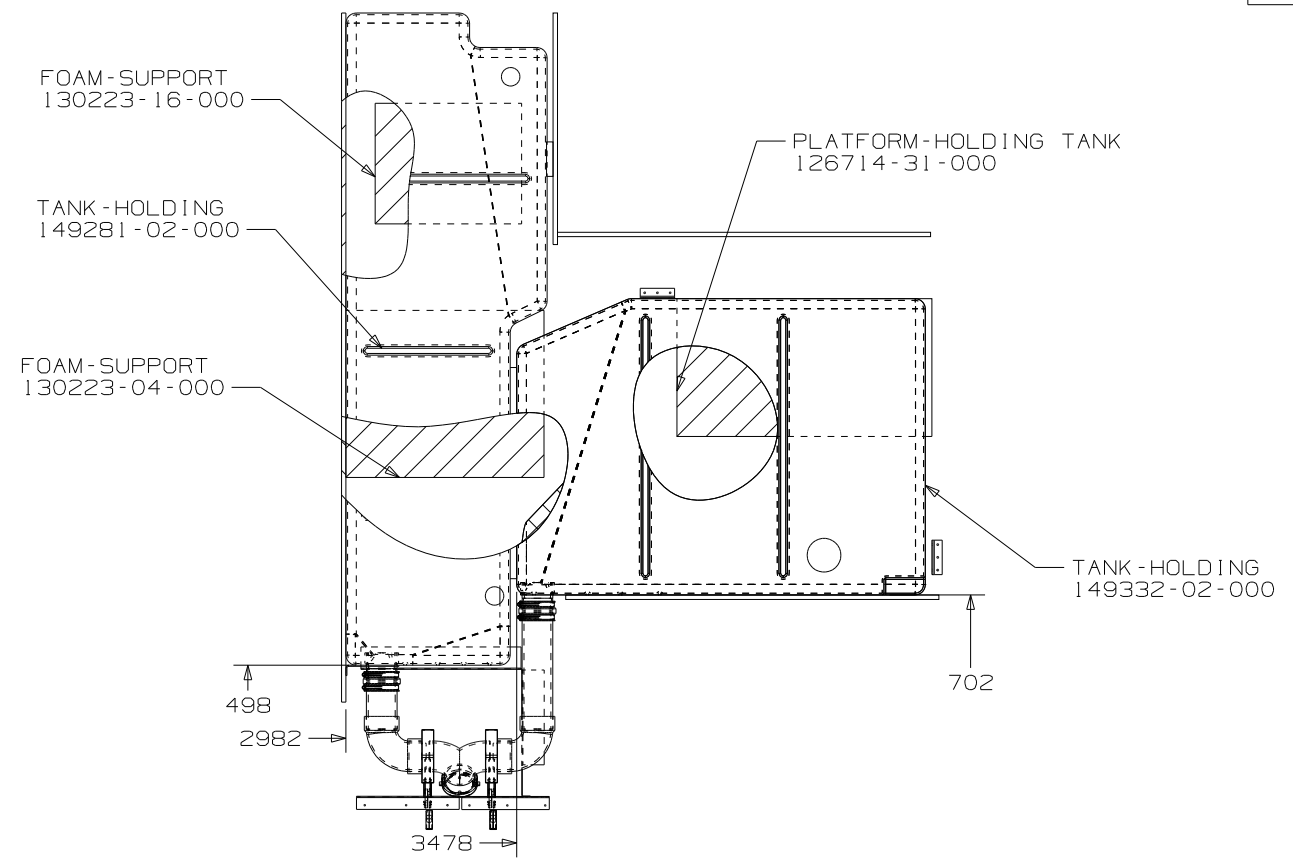
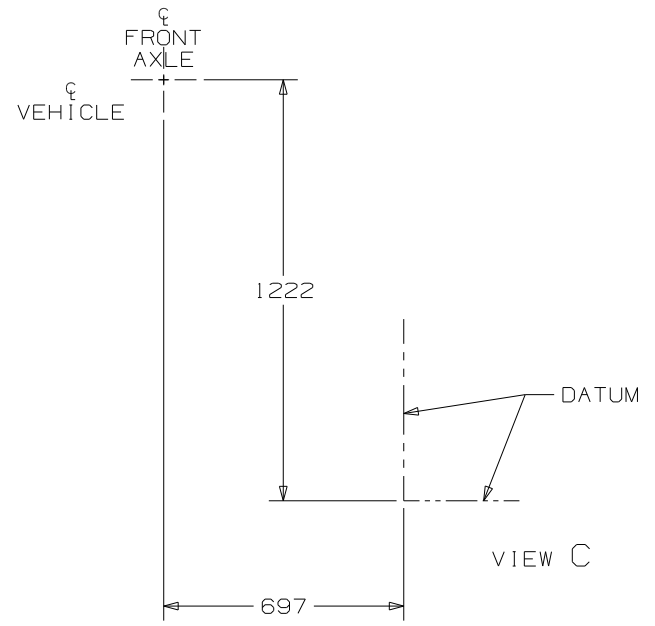
TOILET, LOW, W/SP  
 147421-02-CHT  
 (FOOT FLUSH)  
 SCREW  
 87721-01-000 (6)

SHOWER INSTL-ENCLOSURE  
 147874-02-000  
 STRAINER  
 66440-01-000  
 SEALER  
 69640-01-000  
 NUT  
 130403-01-000  
 WASHER-RUBBER  
 127440-02-CHT  
 TAILPIECE  
 11069-02-000

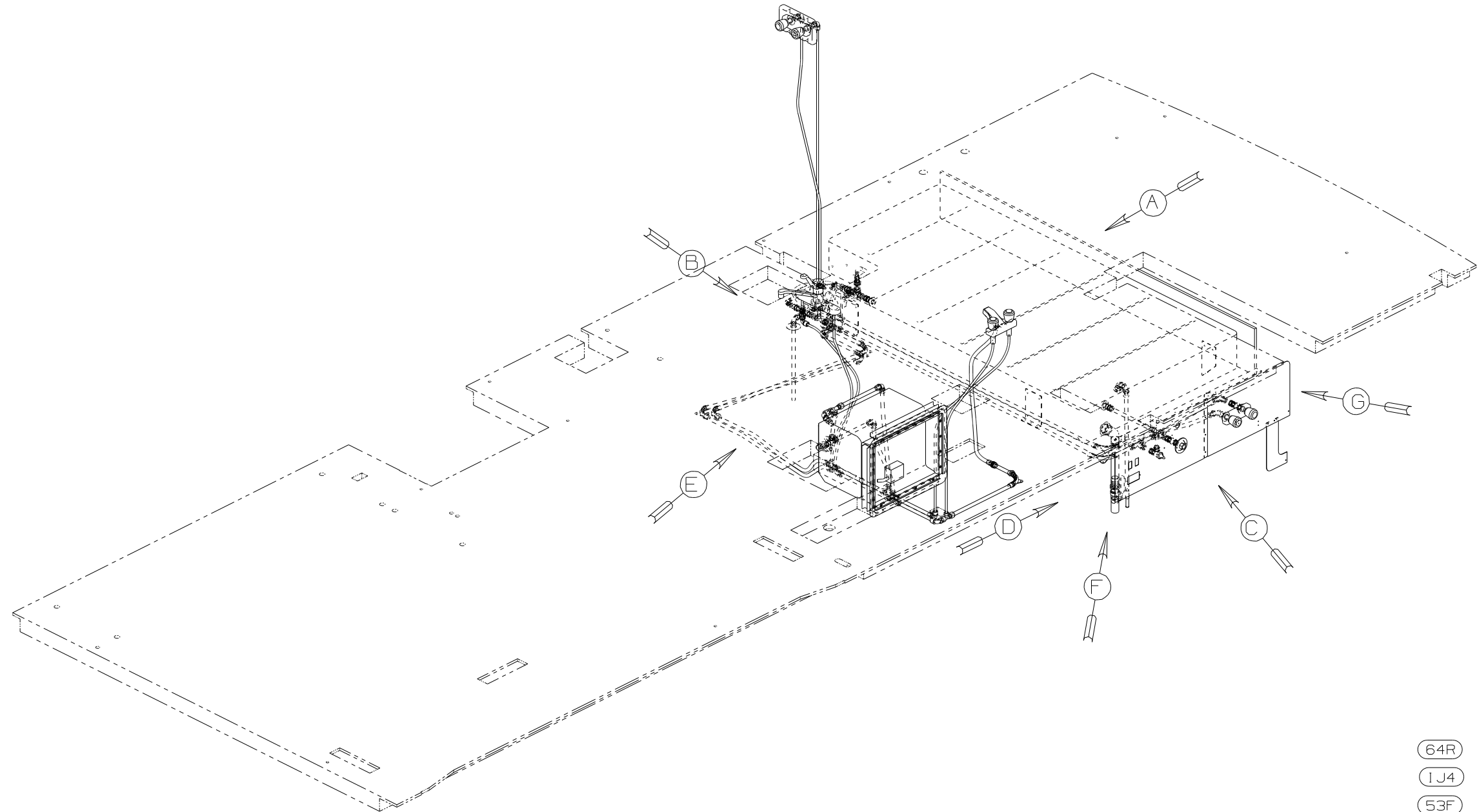
CLAMP-HOSE WORMGEAR  
 62401-02-000 (2)



FIRST USED	07 D29R		
TITLE	DO NOT SCALE DRAWING		
	DRAINAGE SYSTEM INSTL		
SHEET 2	PART NO	157341	REV



FIRST USED	07 D29R		
TITLE	DO NOT SCALE DRAWING		
	DRAINAGE SYSTEM INSTL		
SHEET 3	PART NO	157341	REV
			1 9/22/2006



- (64R) EXTERIOR WASH STATION
- (1J4) EXT WASH STATION-WITHOUT
- (53F) WATER HEATER-ELEC IGNITION
- (53Z) WTR HTR-6 GAL/110/LP/MTR/AUTO

- 9 ADD PIPE WRAP (LADDER SCRAP) INSULATION HERE.
  - 8 LABEL HOT AND COLD SUPPLY TUBES.
  - 7 TAPE FITTING TO TUBE BEFORE CABINET SET TO PREVENT FITTING FROM MOVING.
  - 6 ADD TEFLON TAPE 10405-01-000.
  - 5 ADD TEFLON TAPE 10405-02-000.
  - 4 FLUSHING SYSTEM REQUIRES 125697-06-000 INSTRUCTION SHEET.
3. ALL TUBING TO BE SECURED AT 1200 INTERVALS MAXIMUM WITH CLAMP 10495-01-000 AND SCREW G67-10-12B OR EQUIVALENT.
  2. TUBING TO BE INSTALLED WITH SUFFICIENT SLOPE TO PROVIDE DRAINAGE TO NEAREST VALVE.
  1. PLASTIC FITTINGS TO BE SEALED WITH SEALANT 84456-01-000.

NOTES:

<b>WINNEBAGO</b>		COPYRIGHT 2006 WINNEBAGO INDUSTRIES, INC.	
DFT	ORIG. DATE	ALL DIMENSIONS ARE IN MILLIMETERS	
CHKR		FIRST USED	
P.E.		07 D29R	
M.E.		UNSPECIFIED TOLERANCES ARE:	
DSNR		MATERIAL:	
		WHOLE DIM (X)	: 3
		ONE-PLACE (X.X)	: 1.5
		TWO-PLACE (X.XX)	: 0.50
		ANGLE	: 1°
THIRD ANGLE PROJECTION		DO NOT SCALE DRAWING	
TITLE: WATER SYSTEM INSTL			
SHEET 1 OF 4	PART NO	157342	REV
REF:	12/14/2006		

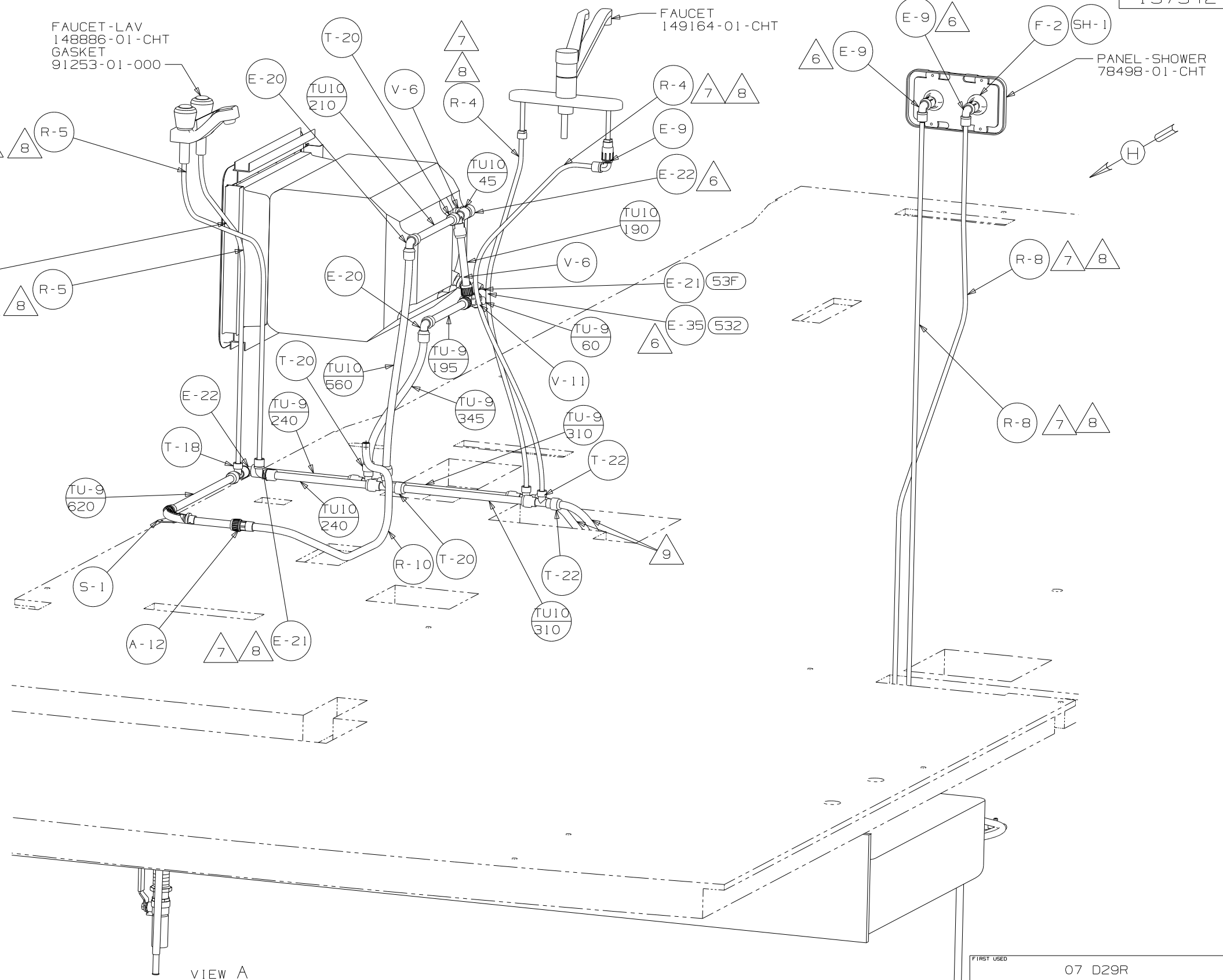
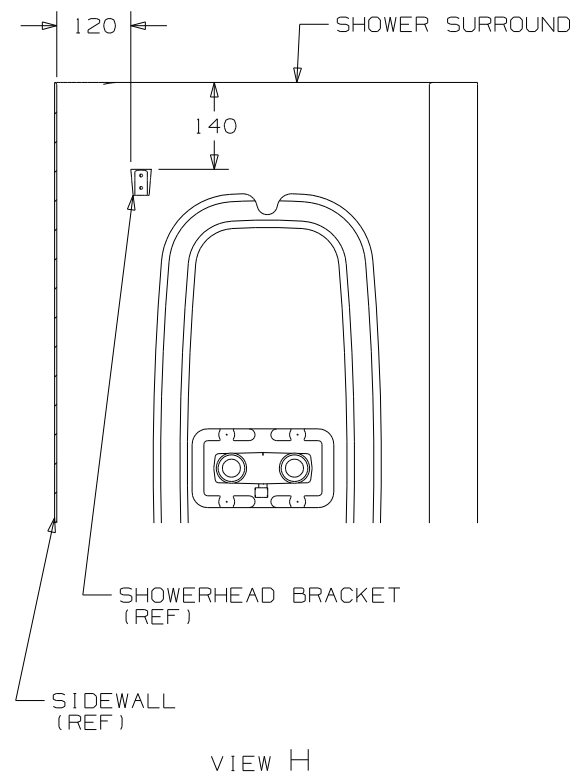
(X-X)  
FOR  
WATER  
CALLOUTS  
SEE DWG NO  
116230-01-000

- (53F) WATER HEATER 51391-03-000
- (53Z) 145541-02-000
- DOOR 052009-06-000
- CABLE 76767-03-000
- SCREW G11-06-08B (2)
- AL EXTR 151293-51-004 (2)
- 151293-51-003 (2)
- SCREW G39-10-169 (18)
- SEALANT 152239-01-CHT
- FLANGE

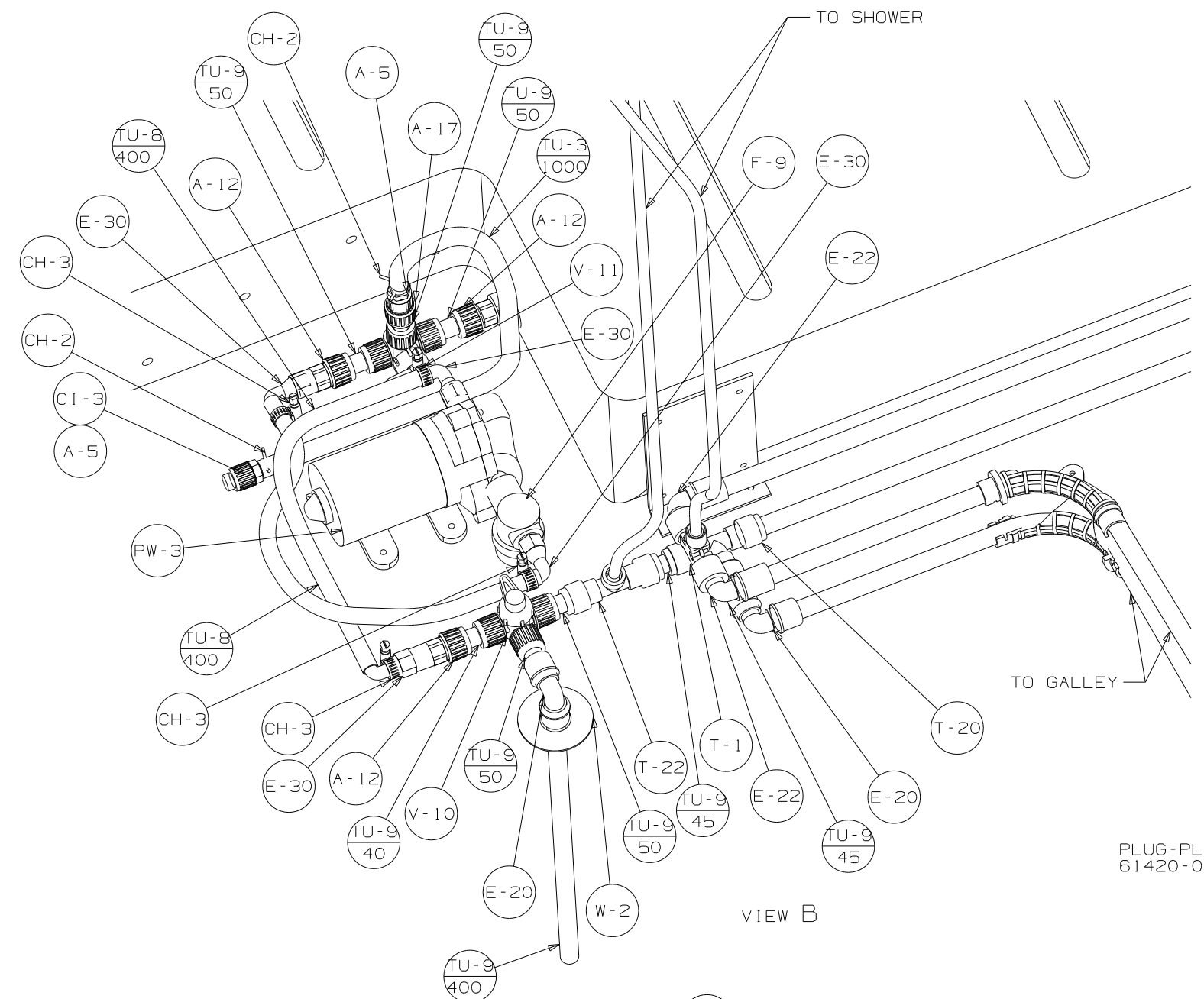
FAUCET-LAV  
148886-01-CHT  
GASKET  
91253-01-000

FAUCET  
149164-01-CHT

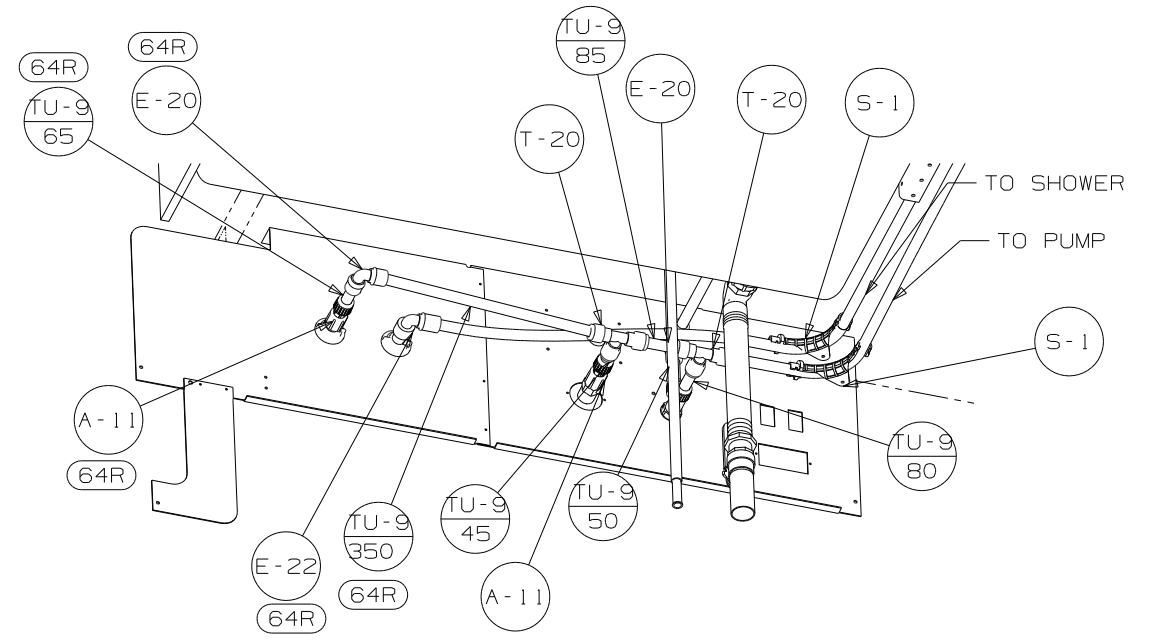
PANEL-SHOWER  
78498-01-CHT



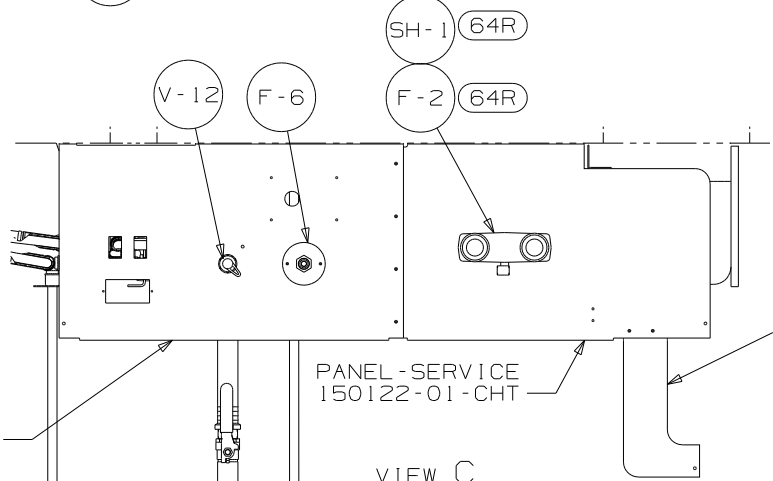
FIRST USED	07 D29R
TITLE	DO NOT SCALE DRAWING
SHEET 2	157342
PART NO	157342
REV	



VIEW B

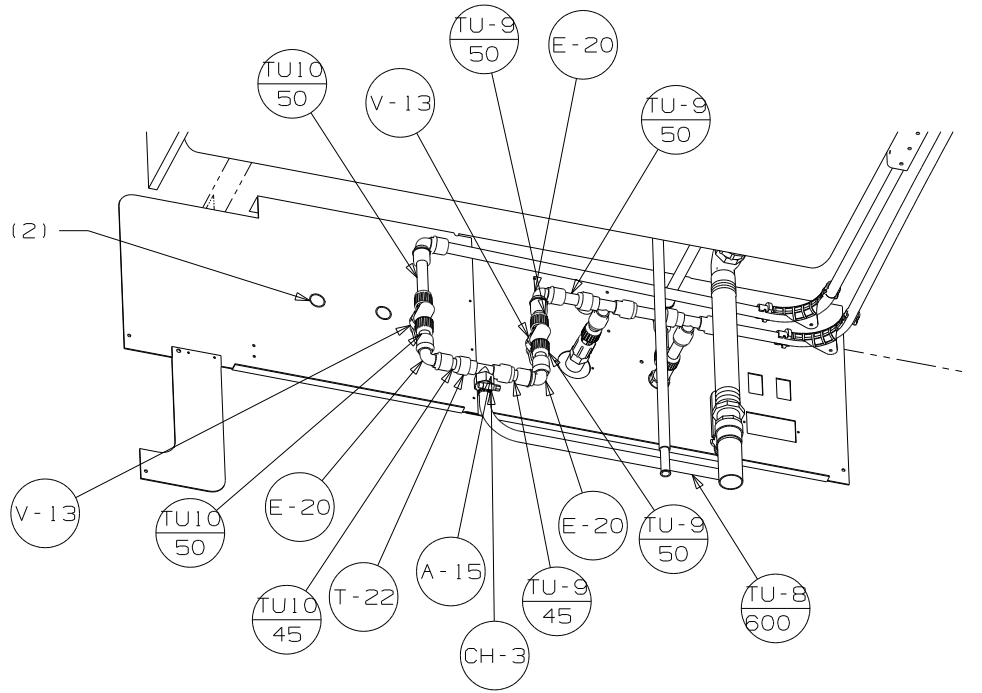


VIEW D



VIEW C

PLUG-PLASTIC 61420-09-000 (2)



VIEW D

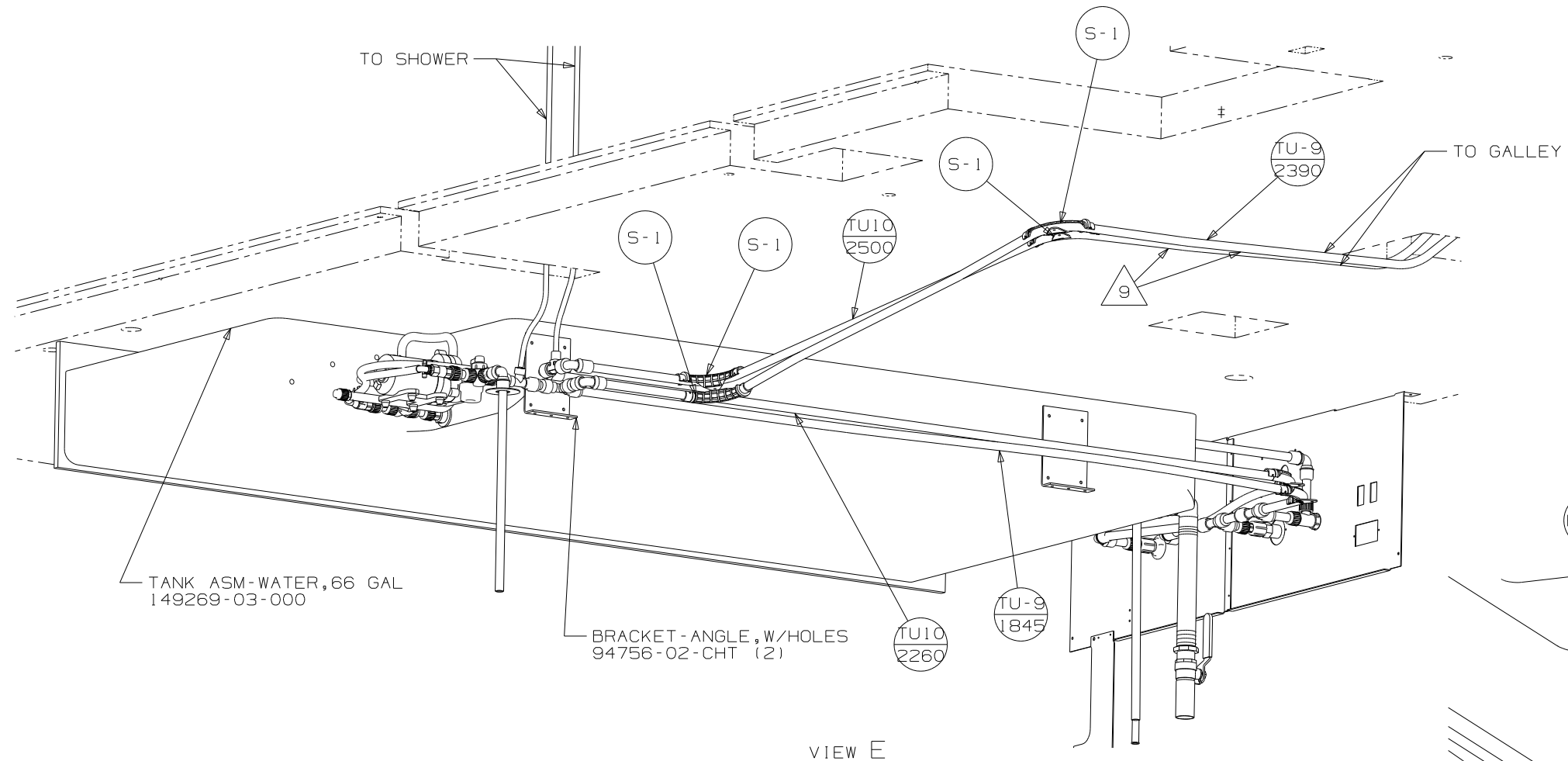
(1J4)

PANEL - SERVICE CENTER  
 159583-02-CHT  
 SCREW  
 G3908-08-170 (2)  
 SCREW  
 G6710-12-170

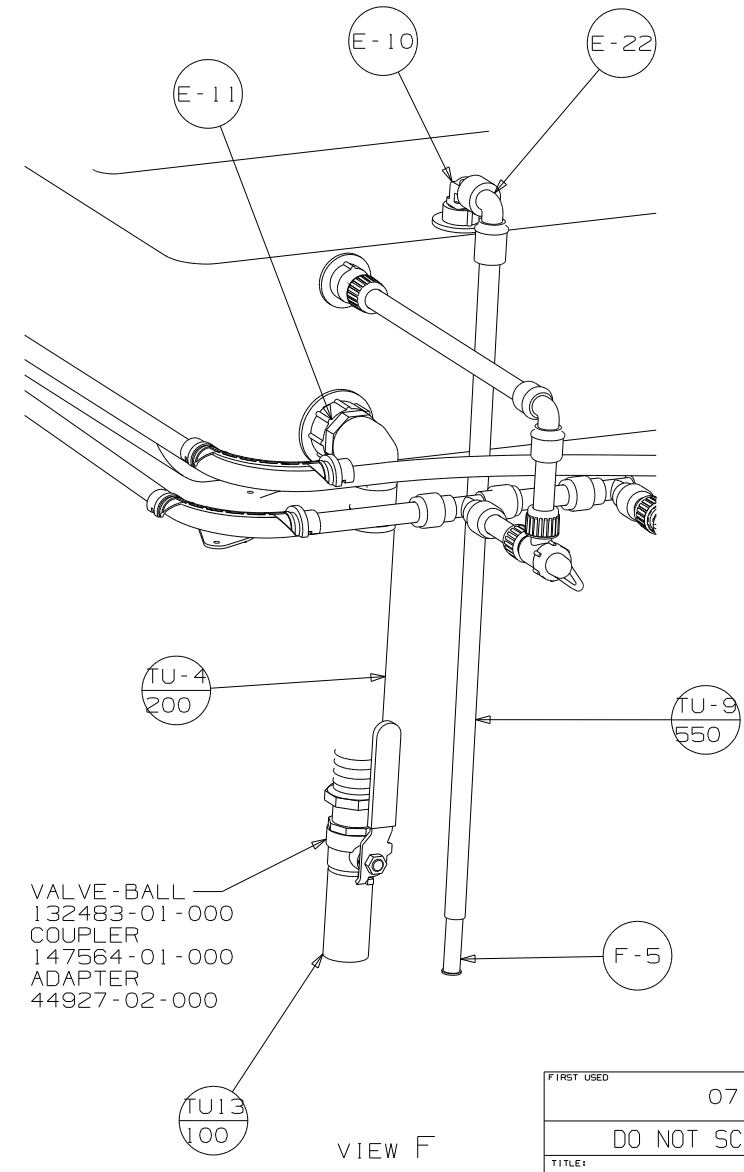
PANEL - SERVICE  
 150123-02-CHT

PANEL - SERVICE  
 150122-01-CHT

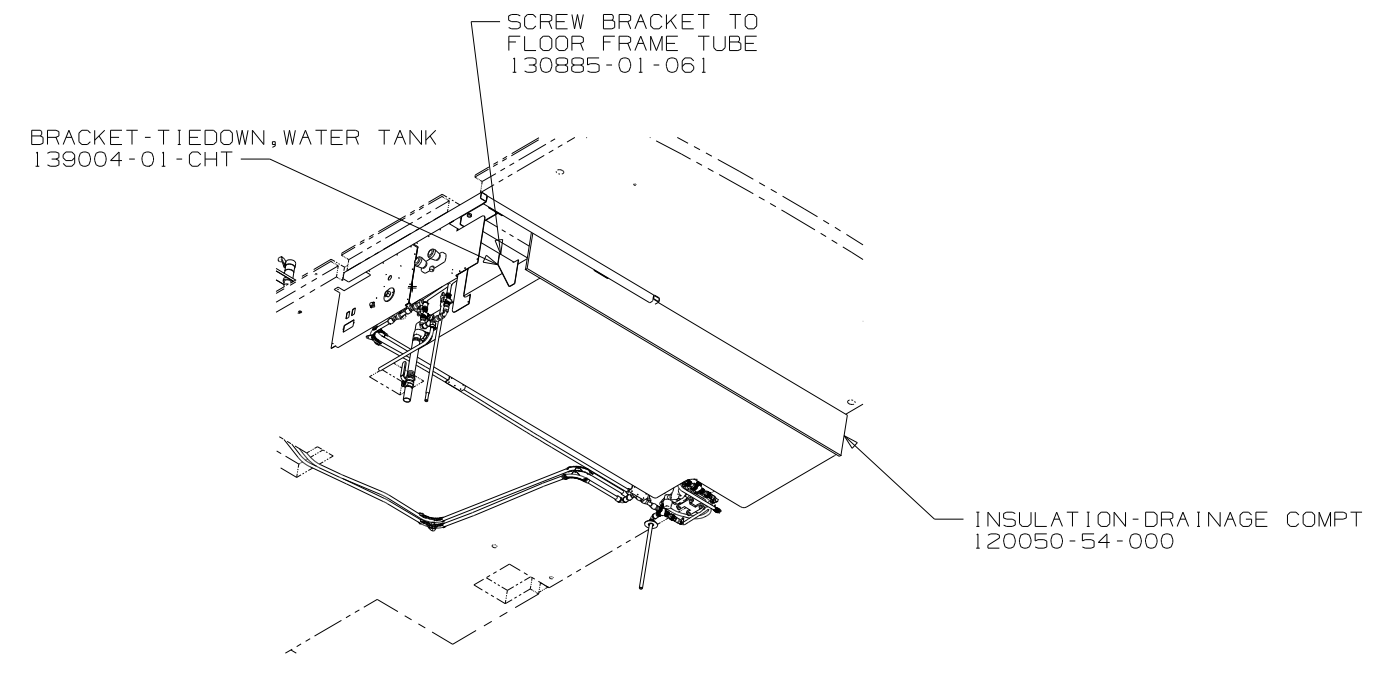
FIRST USED	07 D29R
TITLE	DO NOT SCALE DRAWING
	WATER SYSTEM INSTL
SHEET 3	PART NO 157342 REV



VIEW E



VIEW F



VIEW G

FIRST USED	07 D29R
TITLE	DO NOT SCALE DRAWING
	WATER SYSTEM INSTL
SHEET 4	PART NO 157342 REV