

FRONT OF COACH

- (1B1) CODES/STANDARDS USA
- (265) CODES/STANDARDS-CSA/CMVSS

- 9 VALVE TERMINATION TEE TO BE POSITIONED AT 10° DOWN AND OUTBOARD.
- 8 SECURE PIPES TO CABINET USING WIRE TIE 108046-02-000, AND SCREW G67-10-12B.
- 7 SECURE VENT TUBES TO FLOOR WITH CLAMP 62401-02-000 (2),SCREW G67-10-12B (2), BRACKET 136878-01-CHT (2).
- 6 VENT PIPE MUST PROJECT 51 MIN AND 64 MAX ABOVE ROOF FOR PROPER FIT AND FUNCTION.
- 5. SEAL AROUND SHOWER WITH SILICONE.
- 4. ALL EXTERIOR OPENINGS AROUND PIPE TO BE SEALED WITH 131264-03-000.
- 3. ALL PIPE AND FITTINGS TO BE ASSEMBLED WITH SOLVENT 4020-01-000 (USA), 4020-02-000 (CAN)
- 2. SLOPE OF TRAP ARM MUST BE 6 PER 305 mm.
- 1. SLOPE OF HORIZONTAL PIPING TO BE MIN 3 PER 305 mm.

NOTES:

WINNEBAGO		COPYRIGHT 2006 WINNEBAGO INDUSTRIES, INC.	
DFTR	ORIG. DATE	ALL DIMENSIONS ARE IN MILLIMETERS	
CHKR		FIRST USED	
P.E.		07 D26P	
M.E.		UNSPECIFIED TOLERANCES ARE:	
DSNR		MATERIAL:	
		WHOLE DIM (X)	: 3
		ONE-PLACE (X.X)	: 1.5
		TWO-PLACE (X.XX)	: 0.50
		ANGLE	: 1°
THIRD ANGLE PROJECTION		DO NOT SCALE DRAWING	
TITLE: DRAINAGE SYSTEM INSTL			
SHEET 1 OF 3	PART NO	158771	REV
REF:	1 9/22/2006		

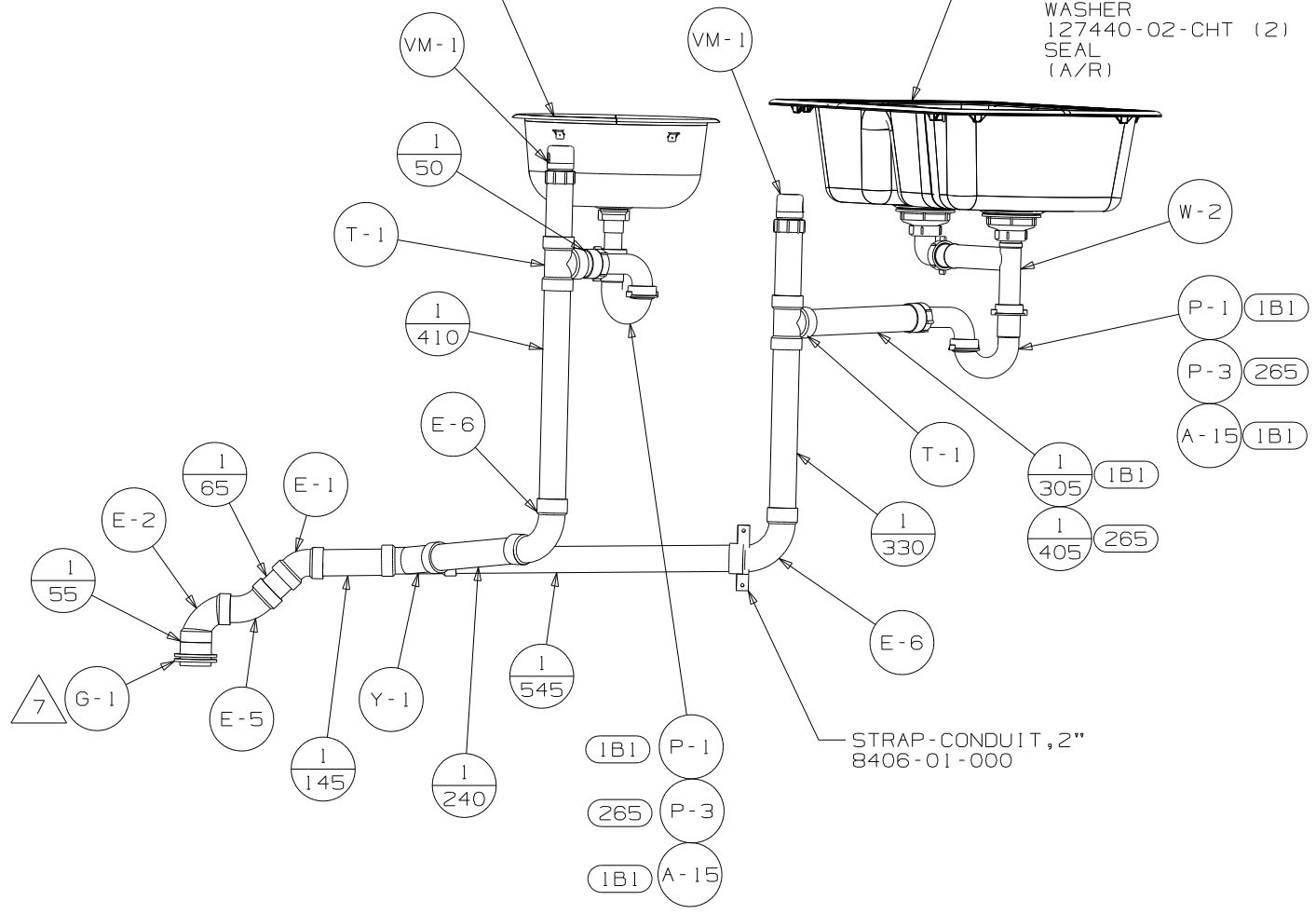
FOR DRAINAGE CALLOUTS SEE DWG NO 116229-01-000

SINK-LAVATORY, RECTANGLE
 156661-01-CHT
 TAILPIECE
 106116-01-CHT
 GASKET
 106116-02-CHT
 SEAL
 91255-02-000 (A/R)

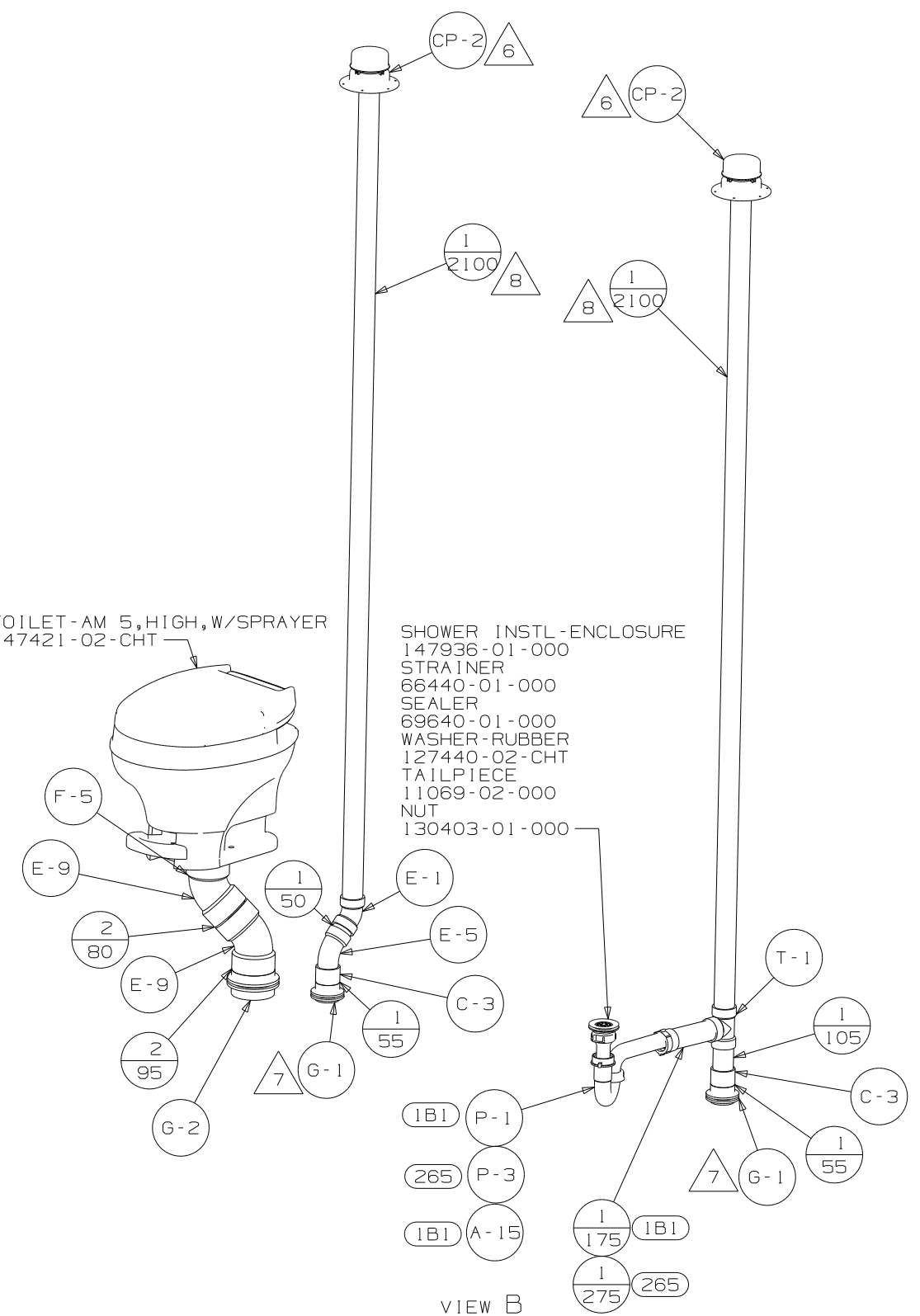
SINK-SMC, DBL L/S BASIN
 148870-02-CHT (US/CAN)
 STRAINER
 92303-01-000 (2)
 BRACKET
 140002-01-CHT (8)
 SCREW
 G67-01-08B (8)
 WASHER
 127440-02-CHT (2)
 SEAL
 (A/R)

TOILET-AM 5, HIGH, W/SPRAYER
 147421-02-CHT

SHOWER INSTL-ENCLOSURE
 147936-01-000
 STRAINER
 66440-01-000
 SEALER
 69640-01-000
 WASHER-RUBBER
 127440-02-CHT
 TAILPIECE
 11069-02-000
 NUT
 130403-01-000

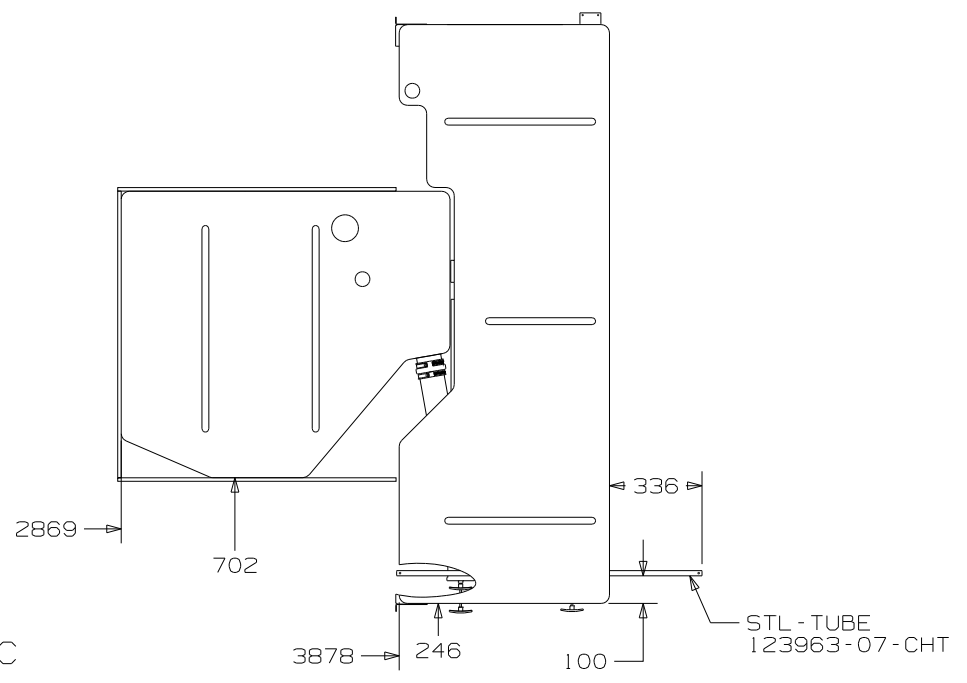
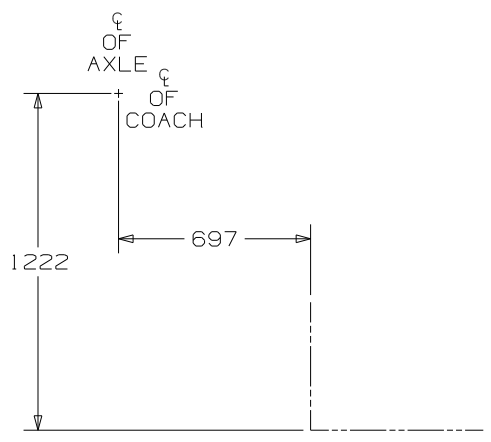


VIEW A

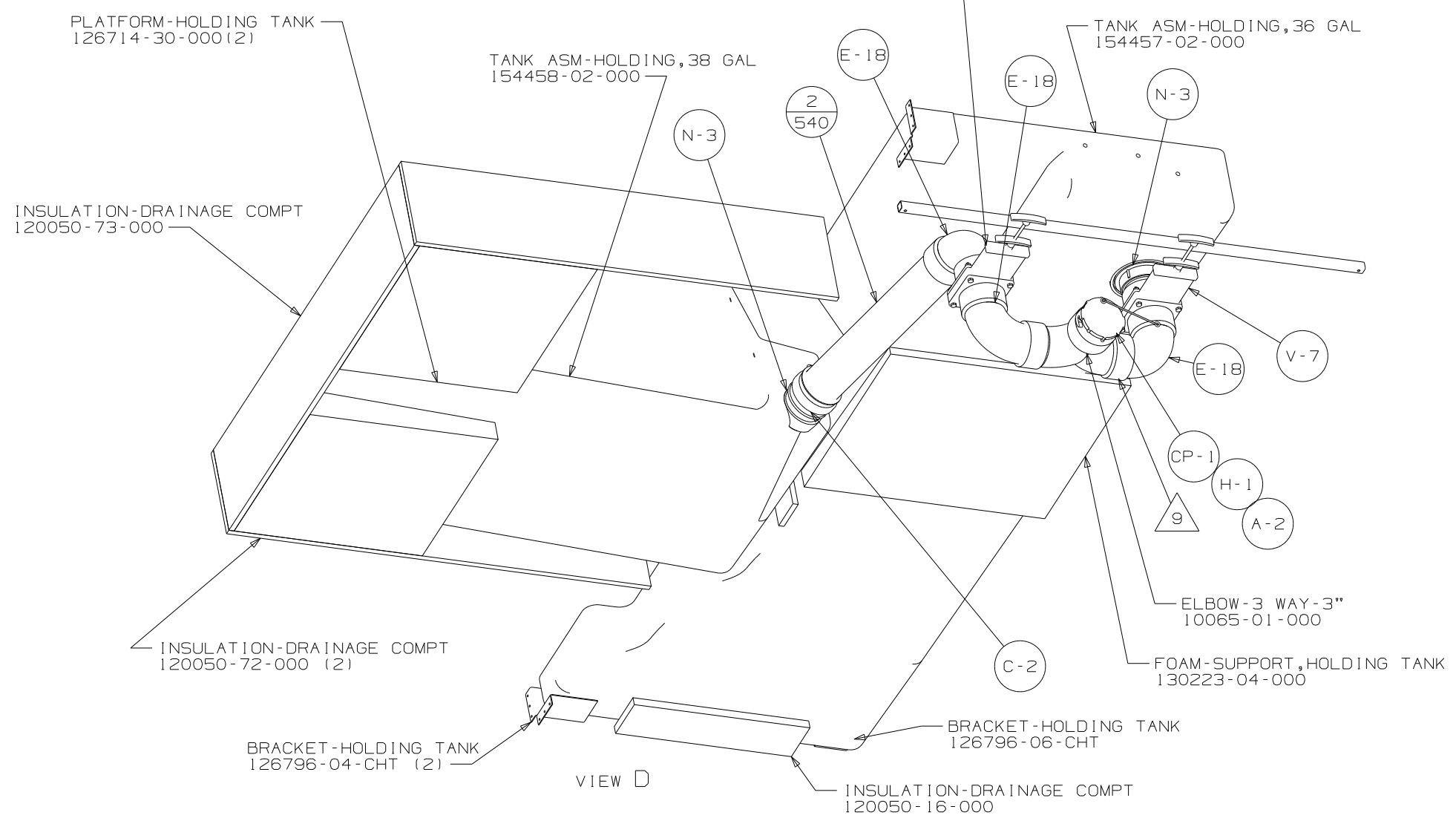


VIEW B

FIRST USED	07 D26P		
TITLE	DO NOT SCALE DRAWING		
	DRAINAGE SYSTEM INSTL		
SHEET 2	PART NO	158771	REV

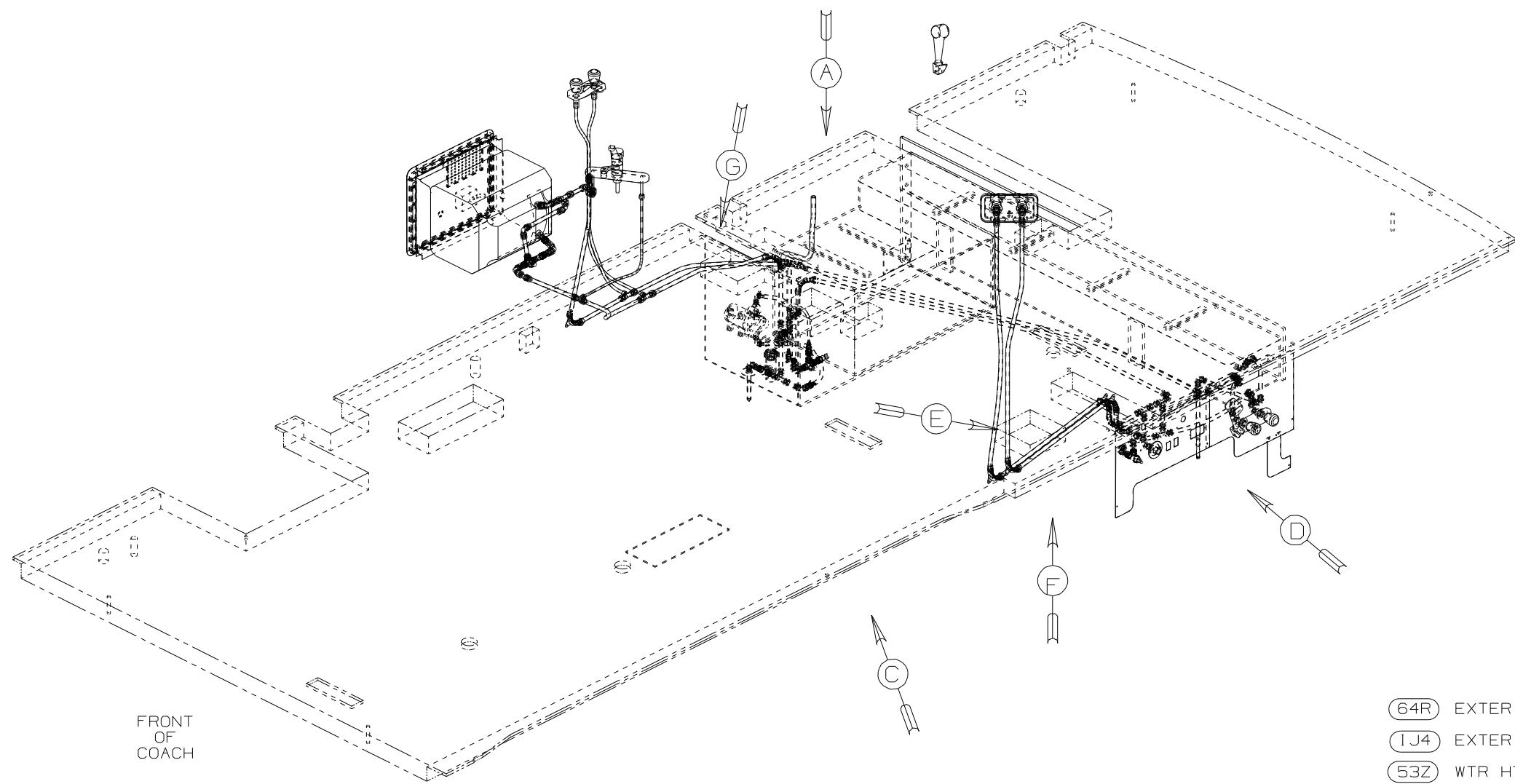


VIEW C



VIEW D

FIRST USED	07 D26P	
TITLE	DRAINAGE SYSTEM INSTL	
SHEET 3	PART NO 158771	REV



- (64R) EXTERIOR WASH STATION
- (1J4) EXTERIOR WASH STATION W/O
- (53Z) WTR HTR-6 GAL/110/LP/MTR/AUTO
- (53F) WATER HEATER ELEC. IGNITION

- NOTES:
- △ 6 ADD PIPE WRAP (LADDER SCRAP 110157-02) INSULATION HERE.
 - △ 5 ADD TEFLON TAPE 10405-01-000.
 - △ 4 ADD TEFLON TAPE 10405-02-000.
 - 3. ALL TUBING TO BE SECURED AT 1200 INTERVALS MAXIMUM WITH CLAMP 10495-01-000 AND SCREW G67-10-12B OR EQUIVALENT.
 - 2. TUBING TO BE INSTALLED WITH SUFFICIENT SLOPE TO PROVIDE DRAINAGE TO NEAREST VALVE.
 - 1. PLASTIC FITTINGS TO BE SEALED WITH SEALANT 84456-01-000.

WINNEBAGO		COPYRIGHT 2006 WINNEBAGO INDUSTRIES, INC.	
DFTR	ORIG. DATE	ALL DIMENSIONS ARE IN MILLIMETERS	
CHKR		FIRST USED	
P.E.		07 D26P	
M.E.		UNSPECIFIED TOLERANCES ARE:	
DSNR		MATERIAL:	
		WHOLE DIM (X)	: 3
		ONE-PLACE (X.X)	: 1.5
		TWO-PLACE (X.XX)	: 0.50
		ANGLE	: 1°
THIRD ANGLE PROJECTION		DO NOT SCALE DRAWING	
TITLE: WATER SYSTEM INSTL			
SHEET 1 OF 4	PART NO	158770	REV
REF:	1 11/30/2006		

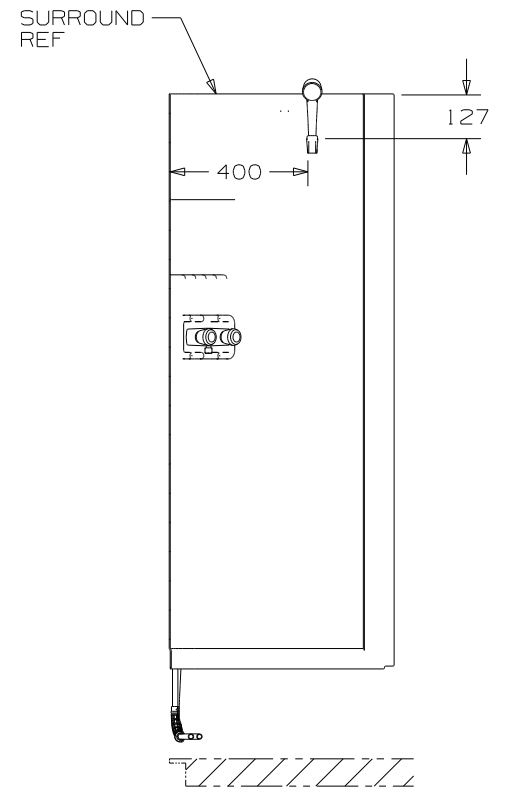
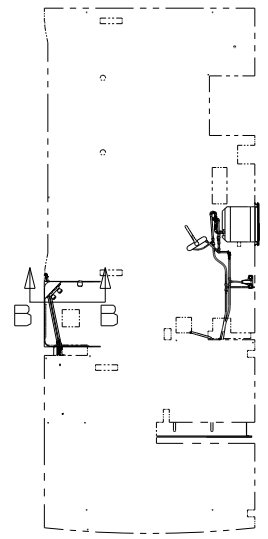
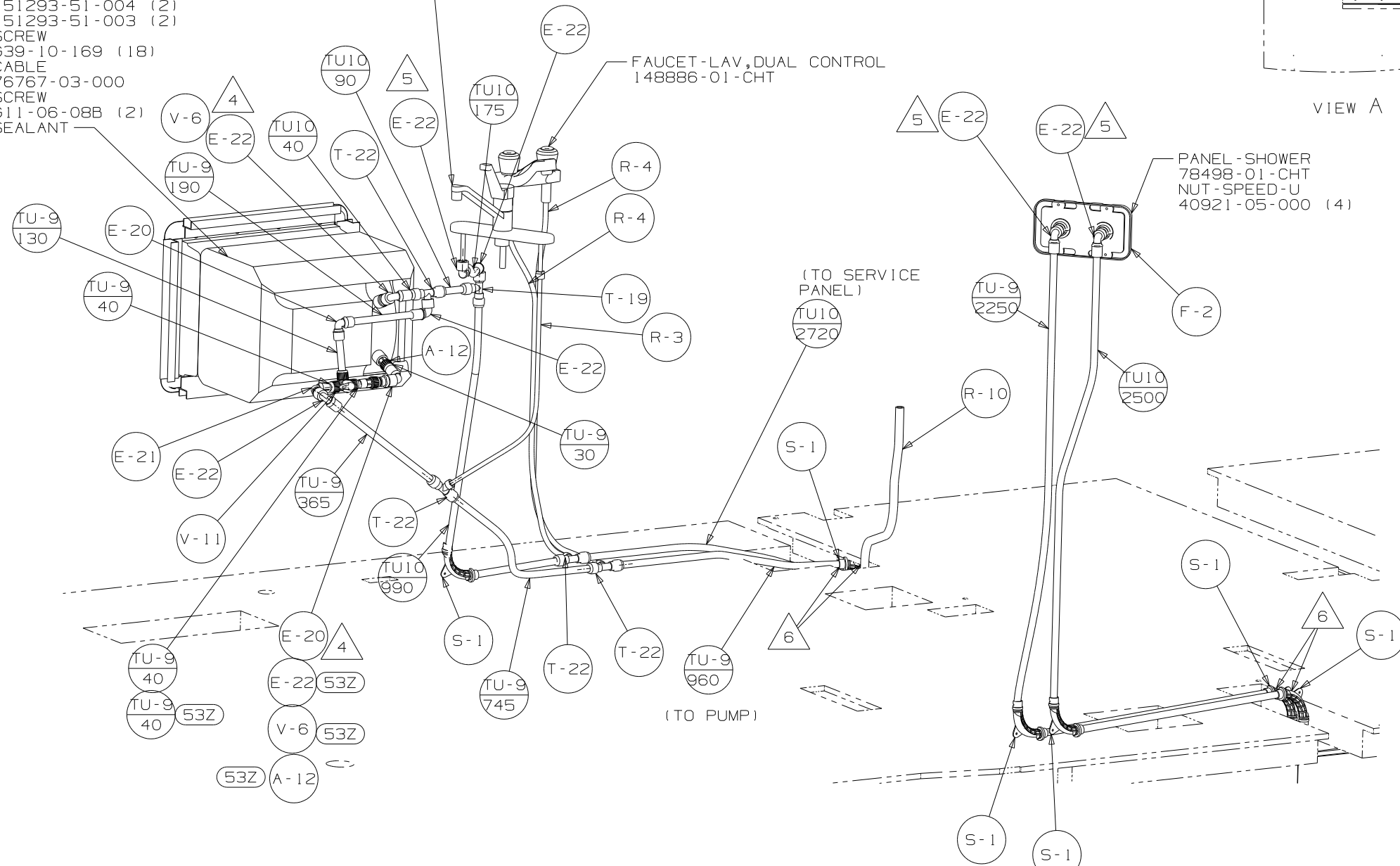
(X-X)
FOR
WATER
CALLOUTS
SEE DWG NO
116230-01-000

- (53F) WATER HEATER-6-GAL
51391-03-000
- (53Z) 145541-02-000
DOOR
52009-06-00
FLANGE-WATER HEATER
152239-01-CHT
SCREW
G39-10-48B (2)
AL EXTR
151293-51-004 (2)
151293-51-003 (2)
SCREW
G39-10-169 (18)
CABLE
76767-03-000
SCREW
G11-06-08B (2)
SEALANT

FAUCET-GALLEY, SGL CONTROL
149164-01-CHT

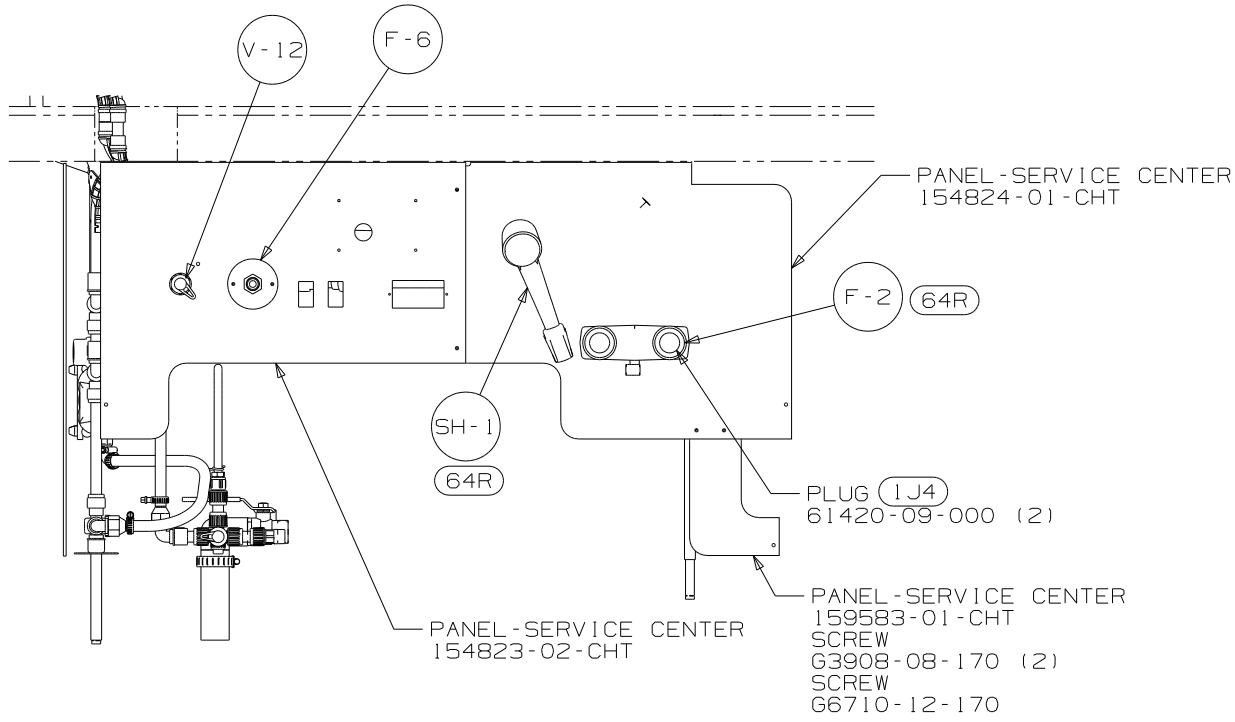
FAUCET-LAV, DUAL CONTROL
148886-01-CHT

PANEL-SHOWER
78498-01-CHT
NUT-SPEED-U
40921-05-000 (4)

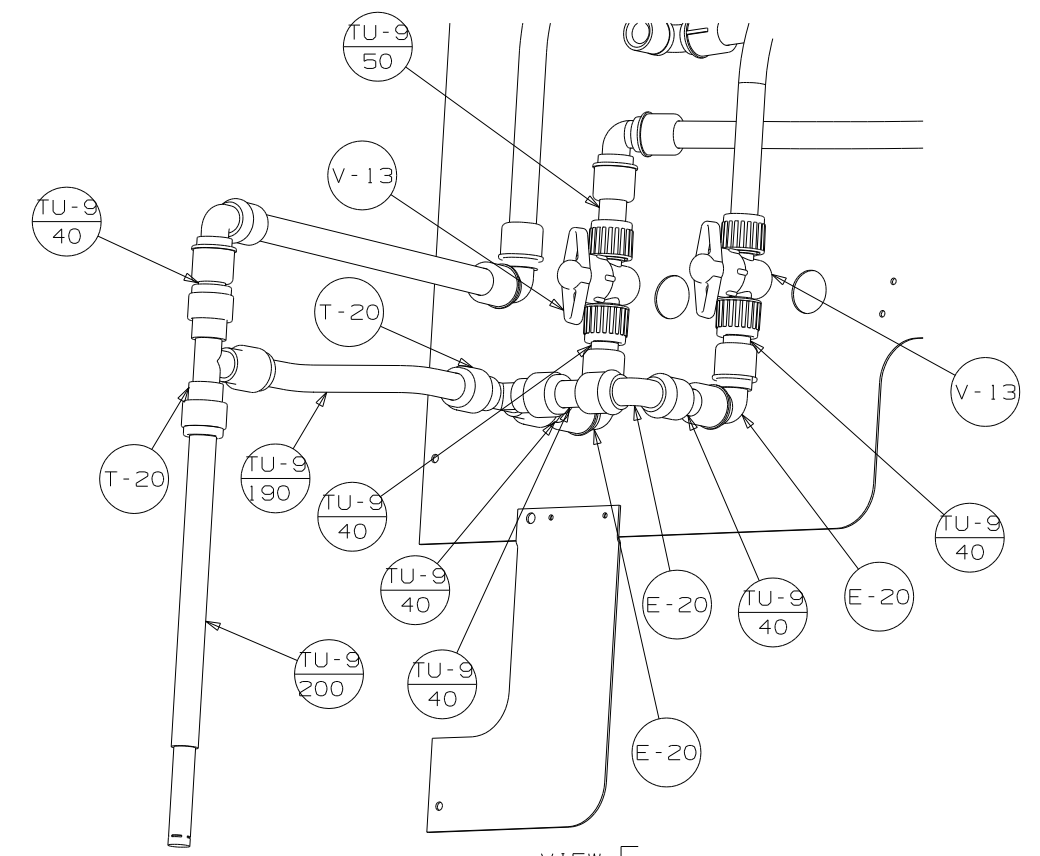


VIEW C

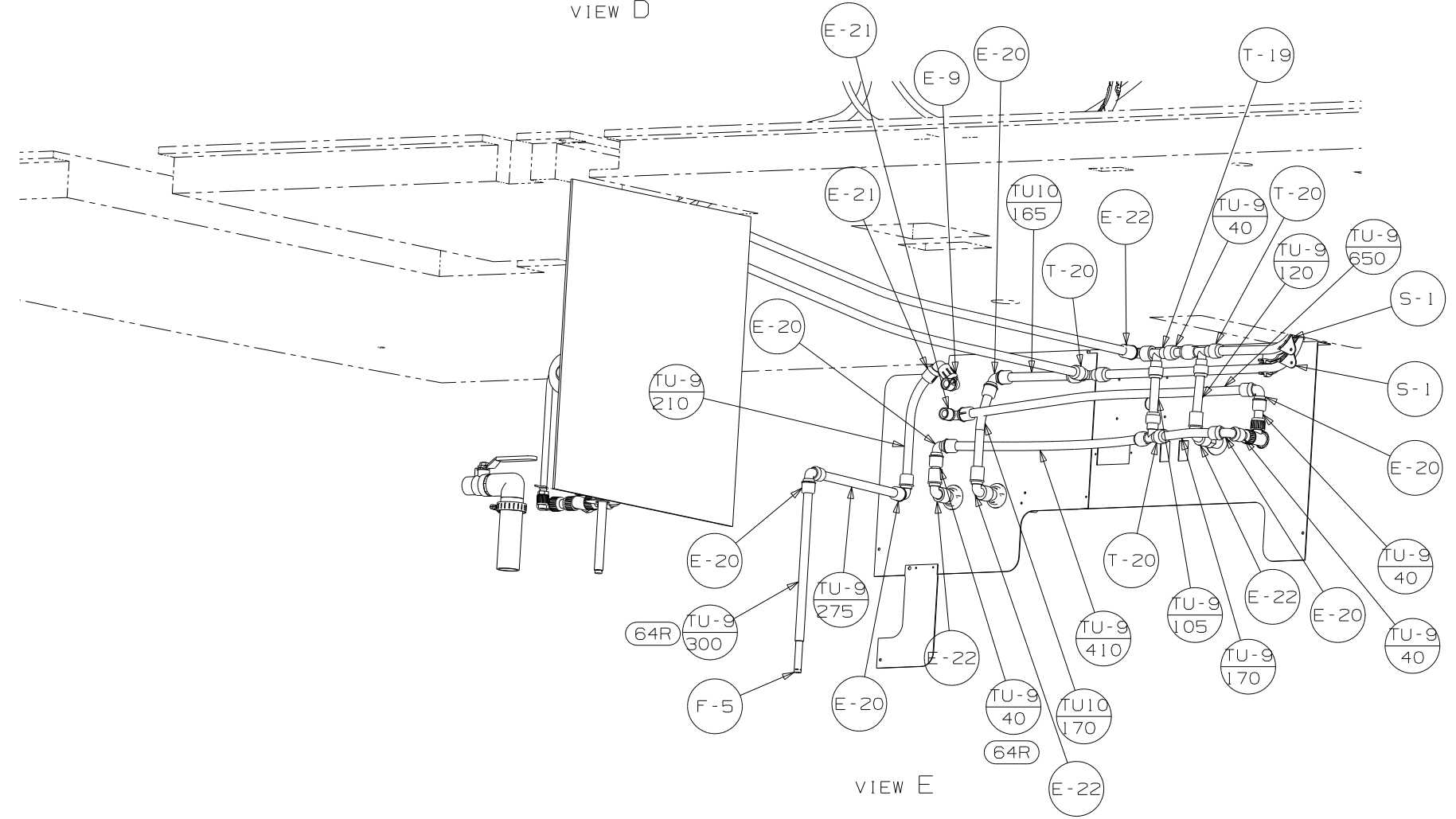
FIRST USED	07 D26P		
TITLE	DO NOT SCALE DRAWING		
	WATER SYSTEM INSTL		
SHEET 2	PART NO	158770	REV



VIEW D

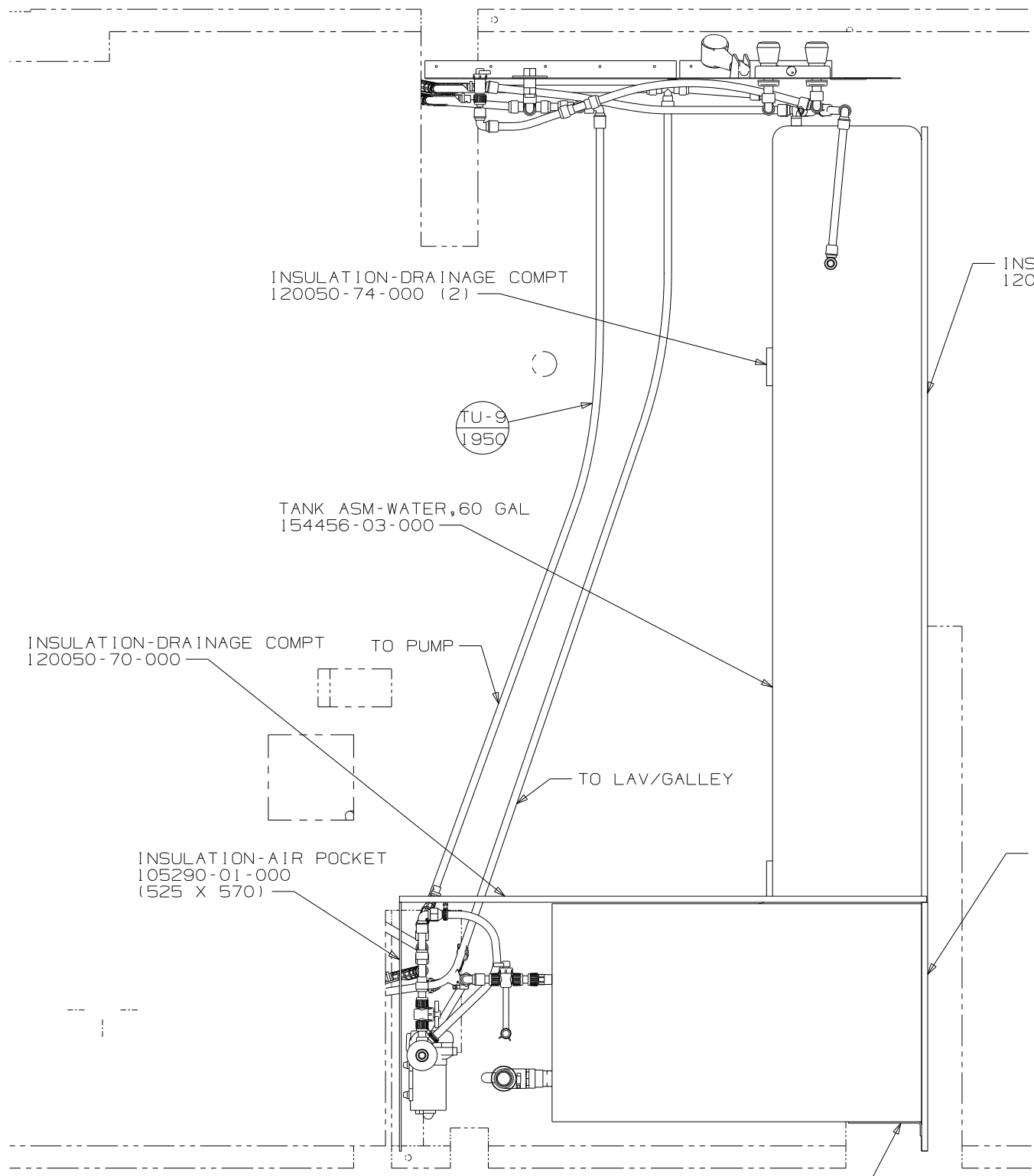


VIEW E
(1J4)

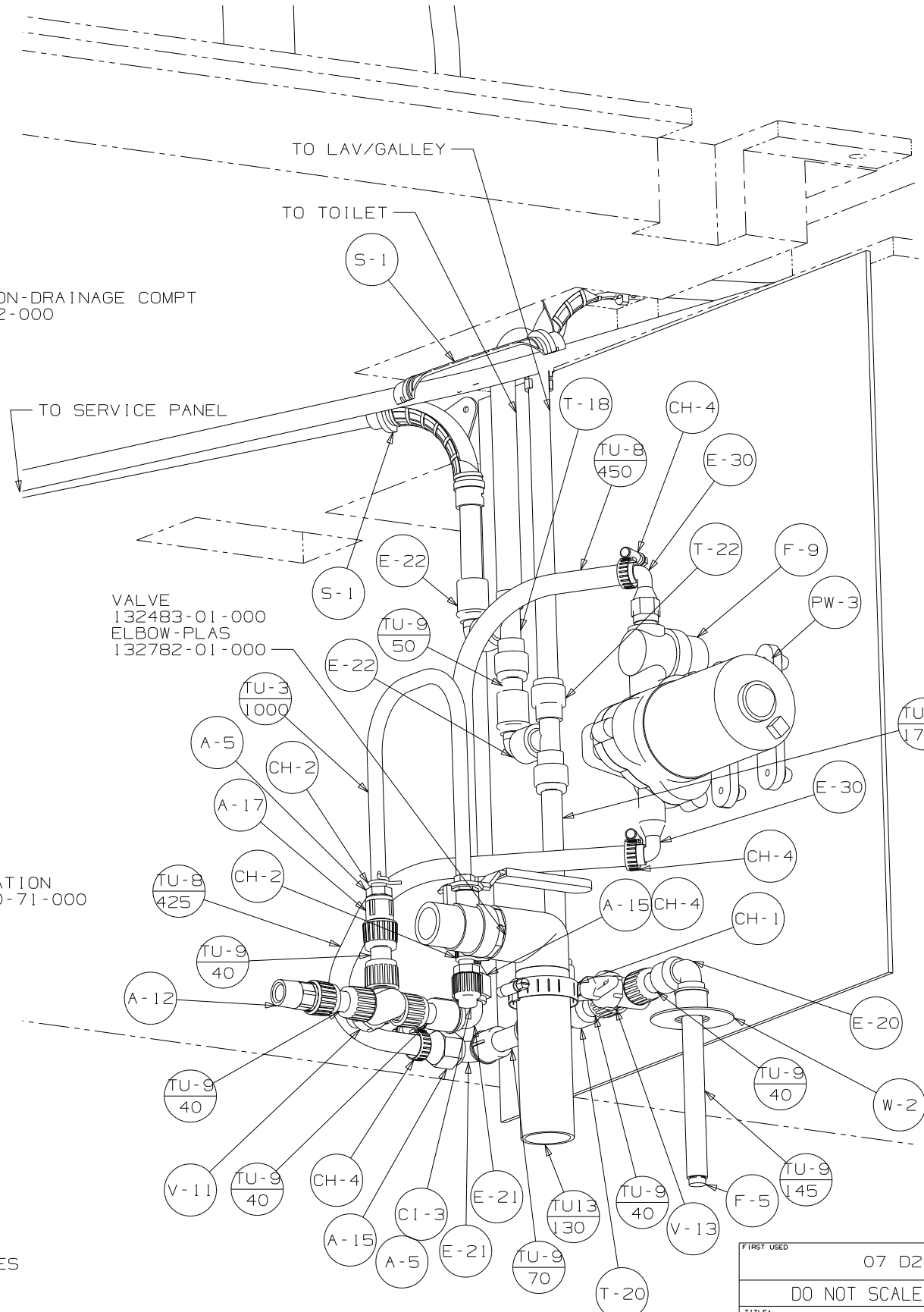


VIEW E

FIRST USED	07 D26P	
TITLE	DO NOT SCALE DRAWING	
TITLE	WATER SYSTEM INSTL	
SHEET 3	PART NO	REV
	158770	



VIEW F



VIEW G
(TANK NOT SHOWN)

FIRST USED	07 D26P
TITLE	DO NOT SCALE DRAWING
TITLE	WATER SYSTEM INSTL
SHEET 4	PART NO 158770