



DANGER

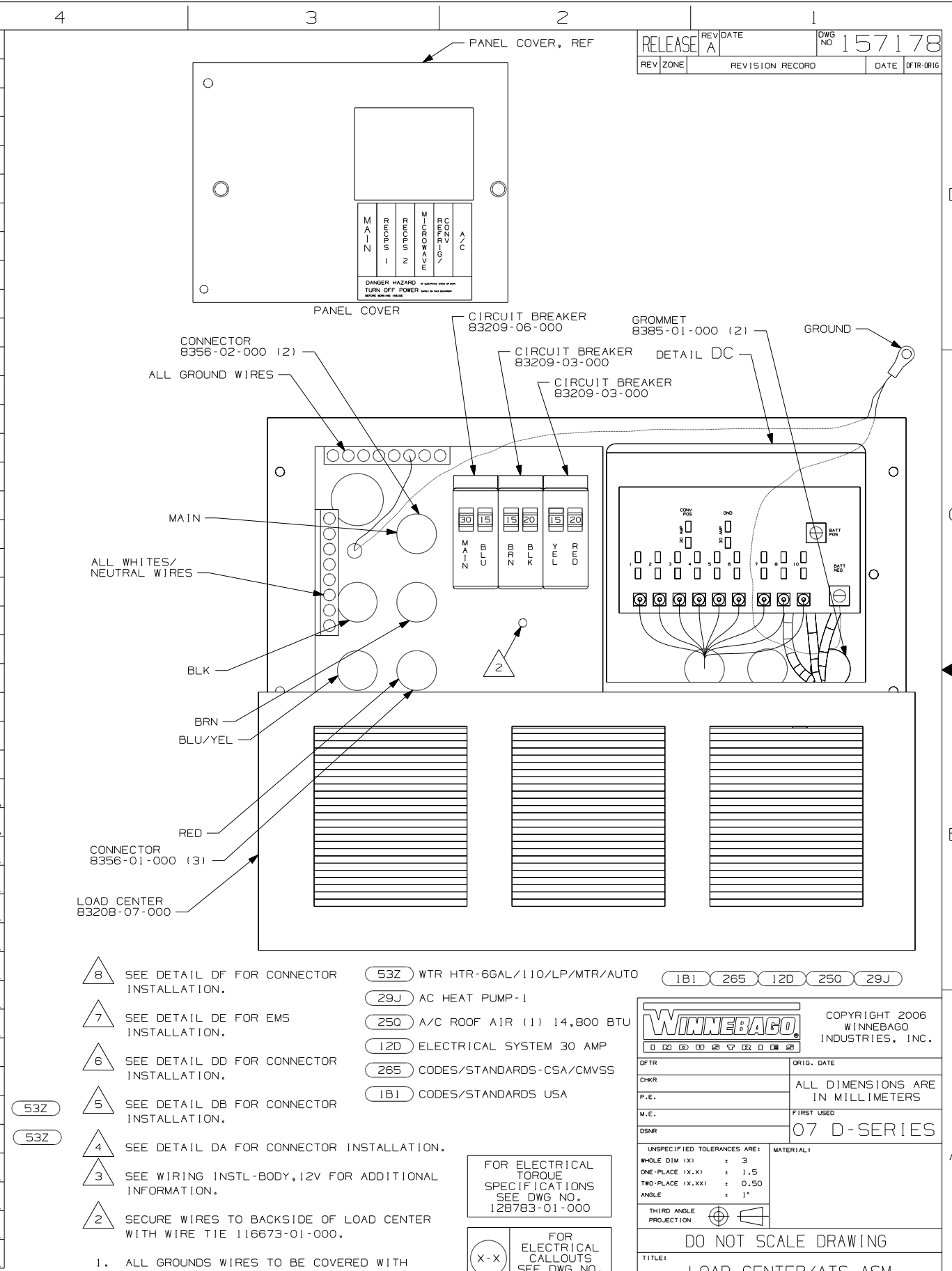
Danger of electrical shock, burns or death. Always remove all power sources before attempting any repair, service or diagnostic work. Power can be present from shore power, generator, inverter or battery. All power sources must be disabled and secured before performing any service.



CAUTION

If you lack the skills, tools or equipment to perform diagnostic or repair work leave such work to an authorized Winnebago Industries dealer or other qualified shop.

		8	7	6	5	4	3	2	1
		D29R	D30B	D33T	D34A	D26P	D35J		
RED	12-UL	136135-07-045	136135-07-040	136135-07-070	136135-07-045	136135-07-080	136135-07-040		
	12-CA	136136-07-045	136136-07-040	136136-07-070	136136-07-045	136136-07-080	136136-07-040		
YEL	14-UL	136131-05-025	136131-05-035	136131-05-015	136131-05-010	136131-05-025	136135-05-012		
	14-CA	136134-05-025	136134-05-035	136134-05-015	136134-05-010	136134-05-025	136136-05-012		
YEL-2	14-UL	-----	-----	136131-13-020	136131-13-026	-----	136131-13-025		
	14-CA	-----	-----	136134-13-020	136134-13-026	-----	136134-13-025		
BLK	14-UL	-----	-----	136131-06-043	136131-06-070	-----	136131-06-045		
	14-CA	-----	-----	136134-06-043	136134-06-070	-----	136134-06-045		
BLK	12-UL	136135-06-023	136135-06-049	-----	-----	136135-06-042	-----		
	12-CA	136136-06-023	136136-06-049	-----	-----	136136-06-042	-----		
BRN	14-UL	136131-03-091	136131-03-058	136131-03-120	136131-03-115	136131-03-085	136131-03-155		
	14-CA	136134-03-091	136134-03-058	136134-03-120	136134-03-115	136134-03-085	136134-03-155		
BLU	14-UL	136131-02-156	136131-02-170	136131-02-095	136131-02-140	136131-02-180	136131-02-110		
	14-CA	136134-02-156	136134-02-170	136134-02-095	136134-02-140	136134-02-180	136134-02-110		
MAIN	10-UL	136137-01-060	136137-01-060	136137-01-060	136137-01-059	136137-01-070	136137-01-065		
	10-CA	136138-01-060	136138-01-060	136138-01-060	136138-01-059	136138-01-070	136138-01-065		
GROUND	8-G	136145-01-022	136145-02-025	136145-01-028	136145-01-030	136145-01-012	136145-01-035		
GRN	12-UL	-----	-----	136135-08-072	136135-08-044	-----	136135-08-036		
	12-CA	-----	-----	136136-08-072	136136-08-044	-----	136136-08-036		
GRN-2	12-UL	-----	-----	136135-14-060	136135-14-063	-----	136135-14-070		
	12-CA	-----	-----	136136-14-060	136136-14-063	-----	136136-14-070		
GRN-3	12-UL	-----	-----	136135-18-012	136135-18-014	-----	136135-18-015		
	12-CA	-----	-----	136136-18-012	136136-18-014	-----	136136-18-015		
PUR	14-UL	-----	-----	136131-04-072	136131-04-041	-----	136131-04-042		
	14-CA	-----	-----	136134-04-072	136134-04-041	-----	136134-04-042		
BRN-2	14-UL	-----	136131-19-080	-----	-----	-----	136131-19-050		
	14-CA	-----	136134-19-080	-----	-----	-----	136134-19-050		
SLIDEOUT WIRE #1		136152-06-049	136151-03-040	136151-03-031	136151-06-029	136151-05-045	136151-02-043		
SLIDEOUT WIRE #2		136151-03-032	-----	-----	136151-03-024	136151-03-045	136151-12-040		
SLIDEOUT WIRE #3		-----	-----	-----	136151-02-029	136151-03-025	136151-19-040		
THROW IN WIRE #1	14-UL	136131-02-010	136131-03-035	136131-03-050	136131-02-025	136131-03-018	136131-12-030		
	14-CA	136134-02-010	136134-03-035	136134-03-050	136134-02-025	136134-03-018	136134-12-030		
THROW IN WIRE #2	14-UL	-----	-----	-----	136131-03-005	136131-03-035	136131-19-055		
	14-CA	-----	-----	-----	136134-03-005	136134-03-035	136134-19-055		
GENERATOR CABLE ASM	UL	136137-01-032	-----	-----	-----	-----	-----		
	CA	136138-01-032	-----	-----	-----	-----	-----		
WHT	12-UL	136135-09-060	136135-09-060	136135-09-063	136135-09-060	136135-09-021	136135-09-016		
	12-CA	136136-09-060	136136-09-060	136136-09-063	136136-09-060	136136-09-021	136136-09-016		
THROW IN WIRE #3	-----	-----	-----	-----	136131-02-018	-----	136131-02-028		
	-----	-----	-----	-----	136134-02-018	-----	136134-02-028		
PUR-2	14-UL	-----	-----	-----	-----	-----	136131-12-080		
	14-CA	-----	-----	-----	-----	-----	136134-12-080		



NOTES:

1. ALL GROUNDS WIRES TO BE COVERED WITH TUBING 8041-02-000.

2. SECURE WIRES TO BACKSIDE OF LOAD CENTER WITH WIRE TIE 116673-01-000.

3. SEE WIRING INSTL-BODY,12V FOR ADDITIONAL INFORMATION.

4. SEE DETAIL DA FOR CONNECTOR INSTALLATION.

5. SEE DETAIL DB FOR CONNECTOR INSTALLATION.

6. SEE DETAIL DD FOR CONNECTOR INSTALLATION.

7. SEE DETAIL DE FOR EMS INSTALLATION.

8. SEE DETAIL DF FOR CONNECTOR INSTALLATION.

FOR ELECTRICAL TORQUE SPECIFICATIONS SEE DWG NO. 128783-01-000

FOR ELECTRICAL CALLOUTS SEE DWG NO. 121339-01-000

LEGEND:

- 53Z WTR HTR-6GAL/110/LP/MTR/AUTO
- 29J AC HEAT PUMP-1
- 250 A/C ROOF AIR (1) 14,800 BTU
- 12D ELECTRICAL SYSTEM 30 AMP
- 265 CODES/STANDARDS-CSA/CMVSS
- 1B1 CODES/STANDARDS USA

TOLERANCES:

UNSPECIFIED TOLERANCES ARE:	MATERIAL:
WHOLE DIM (X)	: 3
ONE-PLACE (X.X)	: 1.5
TWO-PLACE (X.XX)	: 0.50
ANGLE	: 1°

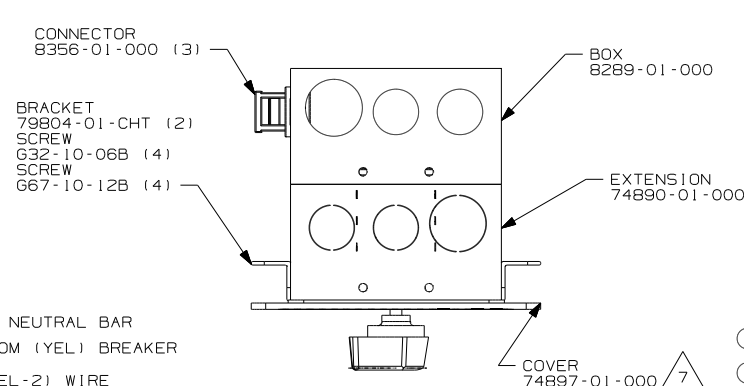
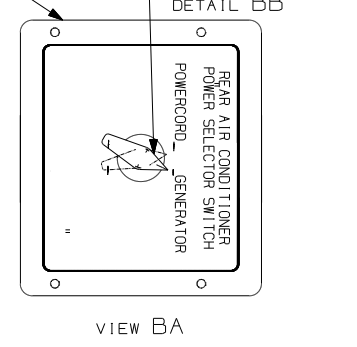
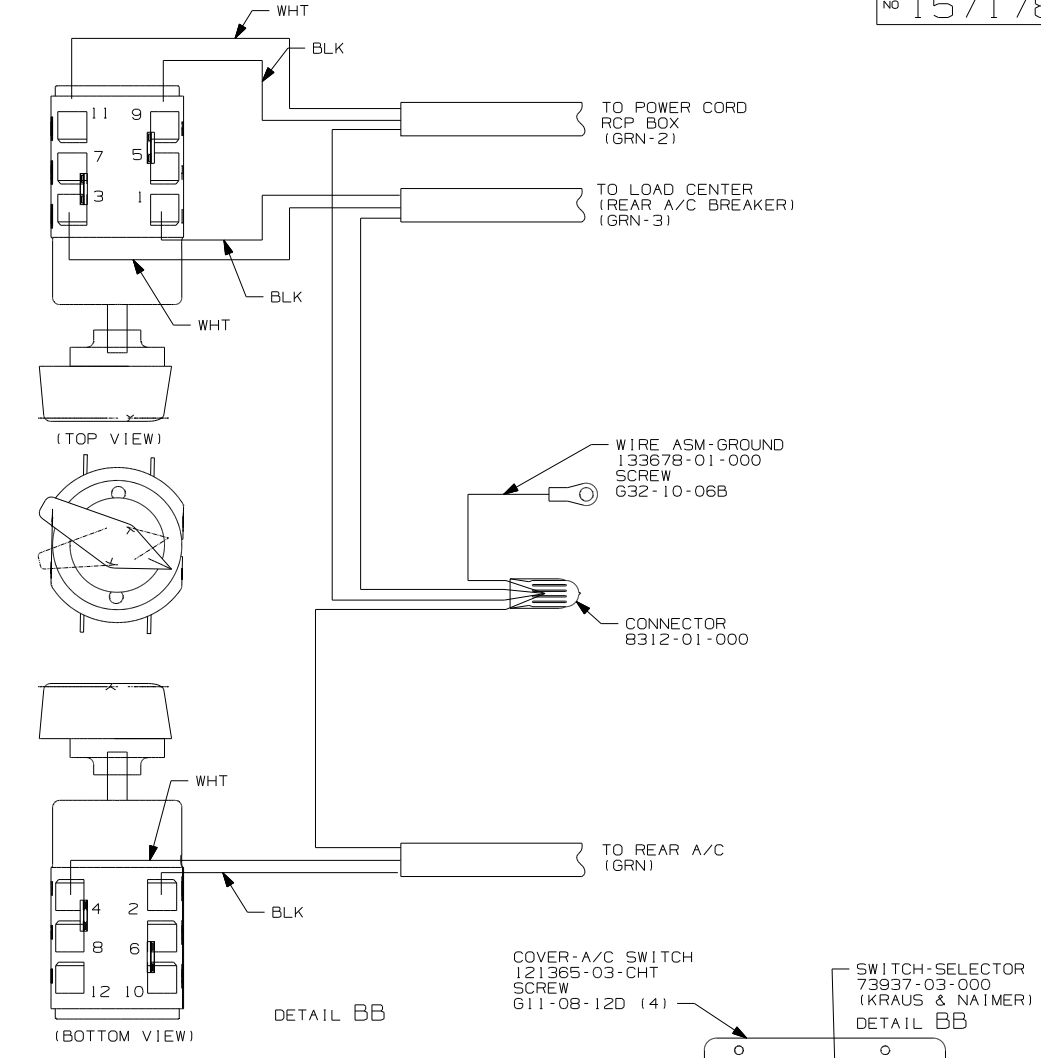
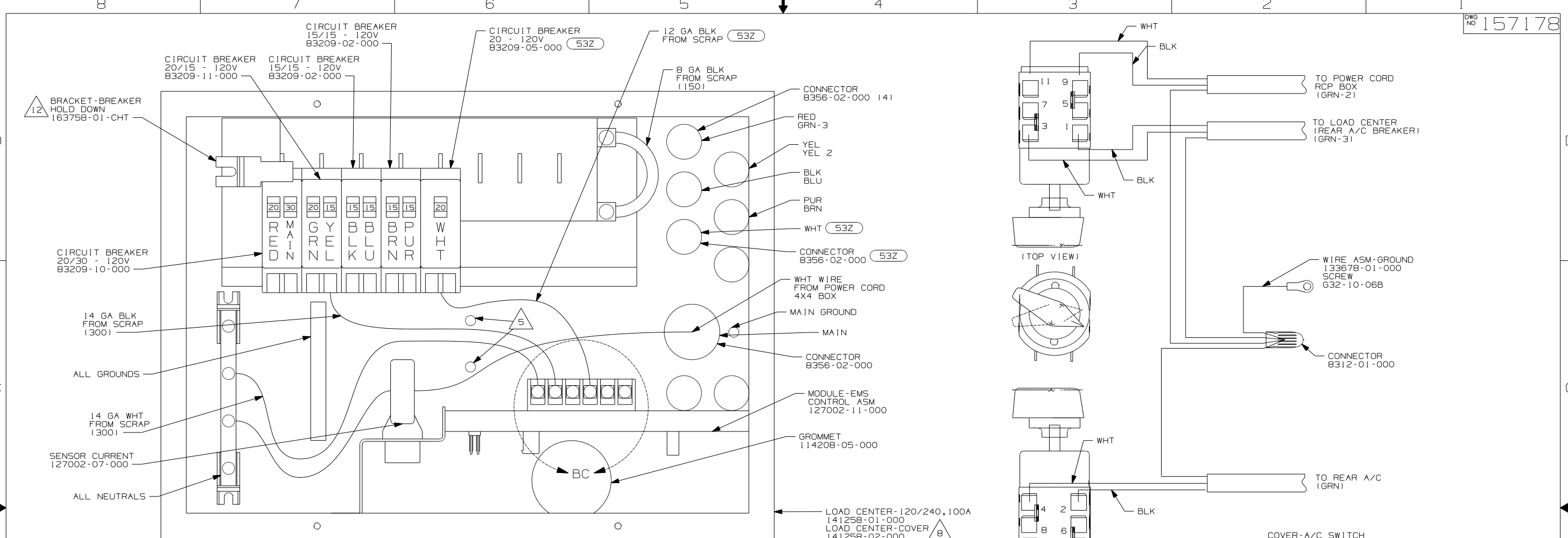
THIRD ANGLE PROJECTION

DO NOT SCALE DRAWING

TITLE: LOAD CENTER/ATS ASM

SHEET 1 of 4 PART NO. 157178 REV

REF: 1 5/15/2007



- 11 LOOSEN LEFT BUSS BAR MOUNTING SCREW, INSERT BRACKET-BREAKER HOLD DOWN UNDER SCREW, ORIENTATE BRACKET TOWARD MAIN BREAKER AS SHOWN AND TIGHTEN SCREW.
- 10 BLACKEN OUT 'WASHER DRYER' WITH BLANK MARKER.
- 9 WITHOUT 53Z
- 8 INSTALLED BY ASSEMBLY LINE.
- 7 FASTEN SWITCH TO COVER BEFORE FASTENING COVER TO BOX.
- 6. REMOVE 400MM FROM OUTER JACKET ON ALL WIRES ENTERING LOAD CENTER AND TRIM INDIVIDUAL CONDUCTORS AS REQUIRED TO MAKE INTERNAL CONNECTIONS
- 5 ATTACH WIRES TO BACKSIDE OF LOAD CENTER, USE EXISTING HOLES AND TIE-WIRE 116673-01-000.
- 4. ALL 110V STRANDED WIRE W/O TERMINALS TO BE STRIPPED 10MM AND SOLDER DIPPED.
- 3. ALL WIRES TO BE CLAMPED WITHIN 200MM OF ATS.
- 2. GROUND WIRES ARE NOT SHOWN FOR CLARITY.
- 1. ALL GROUND WIRES TO BE COVERED WITH TUBING 8041-02-000.

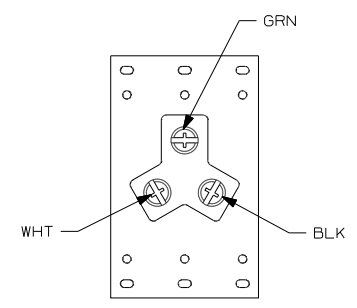
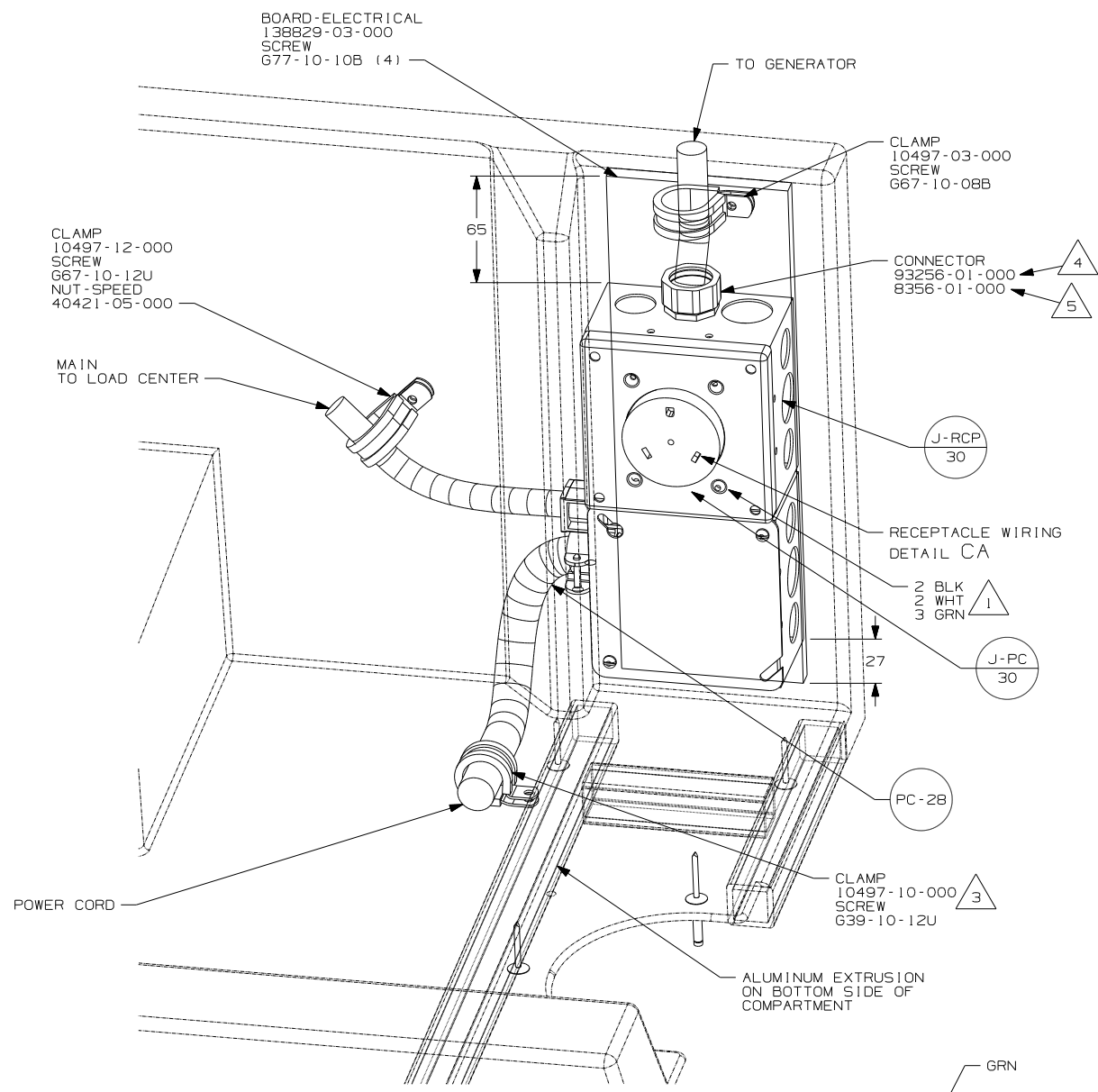
NOTES:

FOR ELECTRICAL TORQUE SPECIFICATIONS SEE DWG NO. 128783-01-000

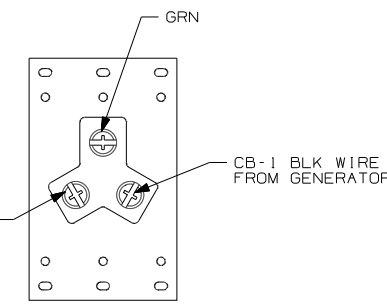
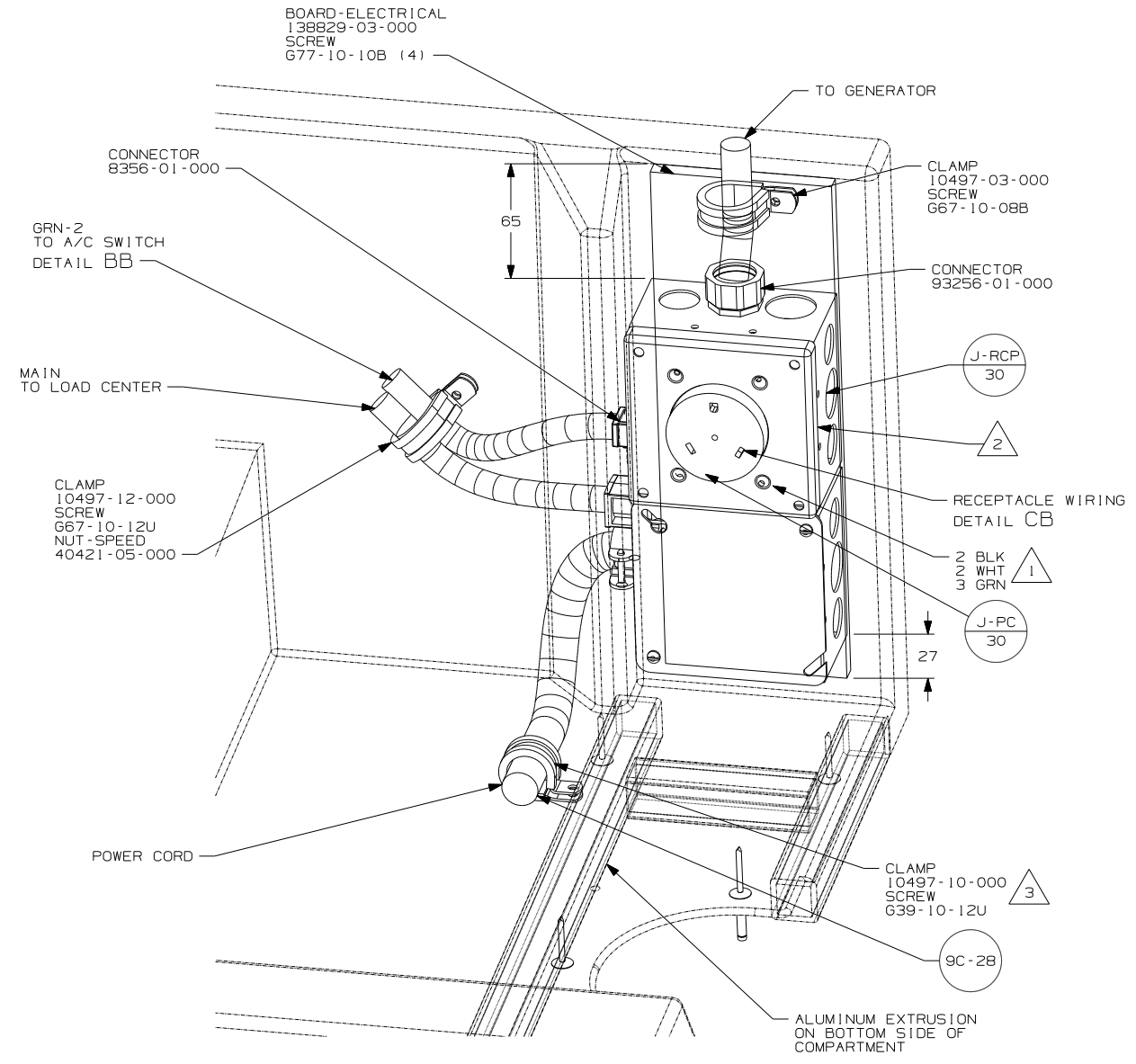
X-X FOR ELECTRICAL CALLOUTS SEE DWG NO. 121339-01-000

- 29R AC HEAT PUMP-2 HI EFFICIENCY
- 53Z WTR HTR-6GAL/110/LP/MTR/AUTO
- 276 A/C ROOF - HI EFF (2) W/EMS
- 265 CODES/STANDARDS - CSA/CMVSS
- 1B1 CODES/STANDARDS - USA
- 12D ELECTRICAL SYSTEM-30 AMP

FIRST USED	
07 D-SERIES	
DO NOT SCALE DRAWING	
TITLE: LOAD CENTER/ATS ASM	
SHEET 2	PART NO 157178



DETAIL CA (BACK VIEW)



DETAIL CB (BACK VIEW)

- NOTES:
- 5 USED ON D29R ONLY.
 - 4 USED ON D26P & D30B ONLY.
 - 3 SCREW CLAMP ON TO THE FLOOR OF COMPARTMENT INTO THE ALUMINUM EXTRUSION ON BOTTOM SIDE OF COMPARTMENT.
 - 2 CONNECT CB-2 BLACK WIRE FROM GENERATOR TO BLACK OF GRN-2 WITH CONNECTOR 8311-01-000 AND WHITES TO WHITES AND GROUNDS TO GROUNDS.
 - 1 CONNECT BLACK TO BLACK, WHITE TO WHITE, AND GROUNDS TO GROUNDS.

250 290

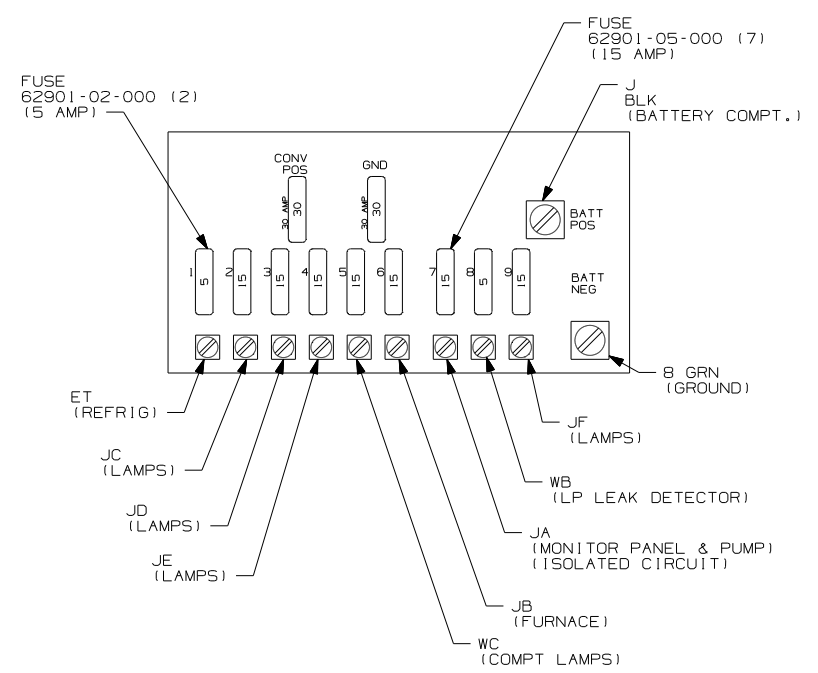
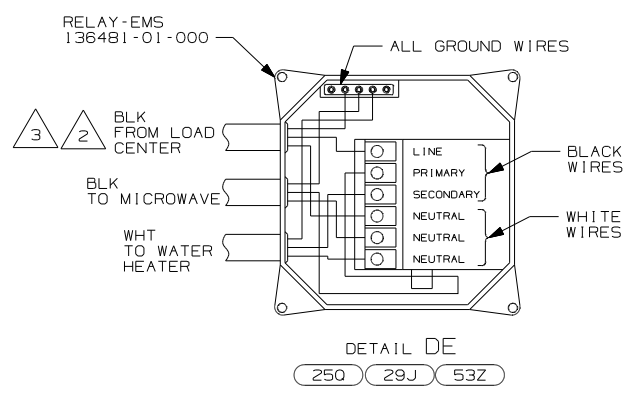
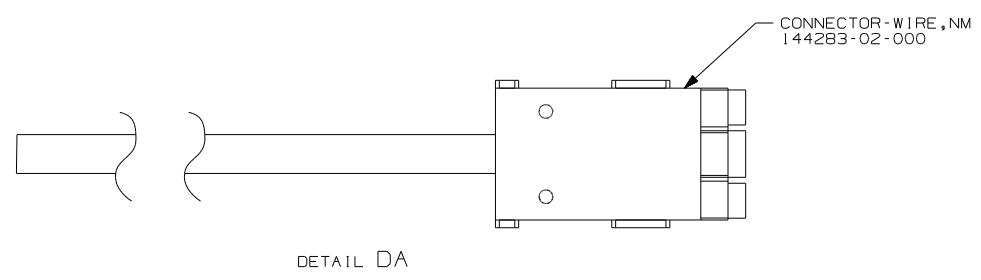
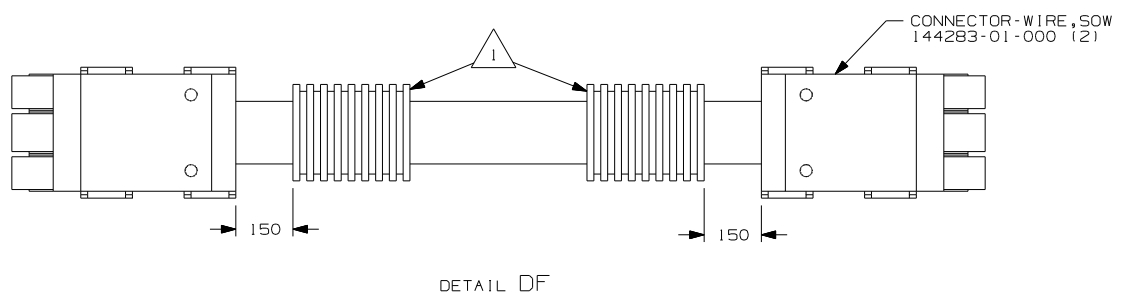
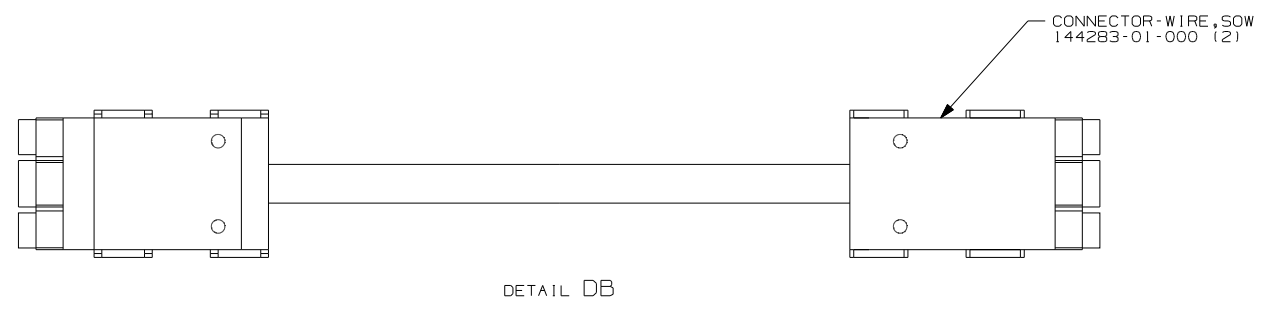
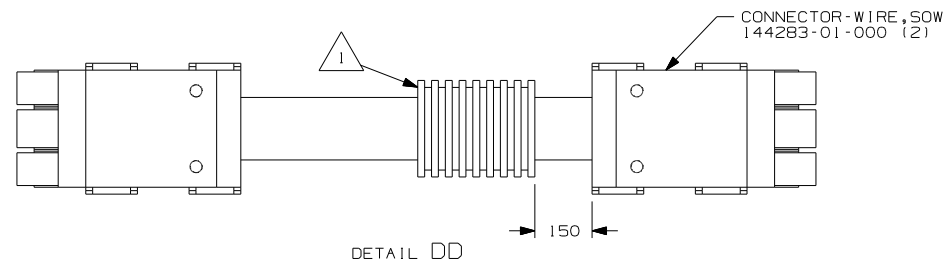
276

FOR ELECTRICAL TORQUE SPECIFICATIONS SEE DWG NO. 128783-01-000

X-X FOR ELECTRICAL CALLOUTS SEE DWG NO. 121339-01-000

- 290 A/C ROOF-ONE 13,500 BTU
- 250 A/C ROOF AIR (1) 14,800 BTU
- 276 A/C ROOF-HI EFF (2) W/EMS
- 120 ELECTRICAL SYSTEM 30 AMP
- 265 CODES/STANDARDS-CSA/CMVSS
- 1B1 CODES/STANDARDS USA

FIRST USED	
07 D-SERIES	
DO NOT SCALE DRAWING	
TITLE: LOAD CENTER/ATS ASM	
SHEET 3	PART NO 157178 REV



- NOTES:
- 3 ON D26P MEASURE 2500MM FROM THE BACK OF THE LOAD CENTER, LOOP THE BLACK WIRE AND CONNECT AS SHOWN.
 - 2 ON D30B & D29R MEASURE 1200MM FROM THE BACK OF THE LOAD CENTER, LOOP THE BLACK WIRE AND CONNECT AS SHOWN.
 - 1 APPLY 300MM OF CONDUIT-CONVOLUTE 41953-05-000 OVER WIRE AT DIMENSION SHOWN AND SECURE BOTH ENDS OF TUBING TO WIRE WITH TAPE 8363-01-000.

- 53Z WTR HTR-6GAL/110/LP/MTR/AUTO
- 25Q A/C ROOF AIR (1) 14,800 BTU
- 29J AC HEAT PUMP-1

FIRST USED	07 D-SERIES		
TITLE	DO NOT SCALE DRAWING		
TITLE	LOAD CENTER/ATS ASM		
SHEET 4	PART NO	157178	REV