



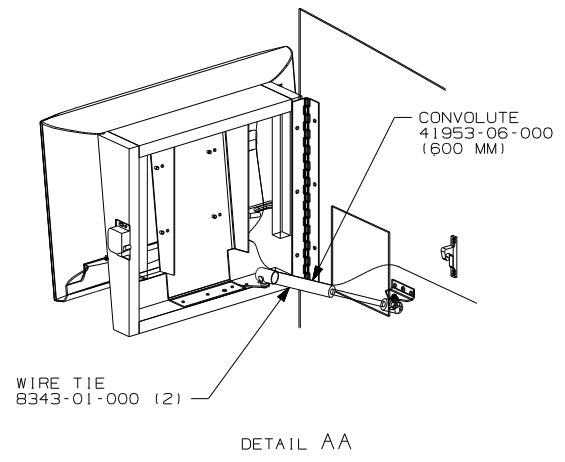
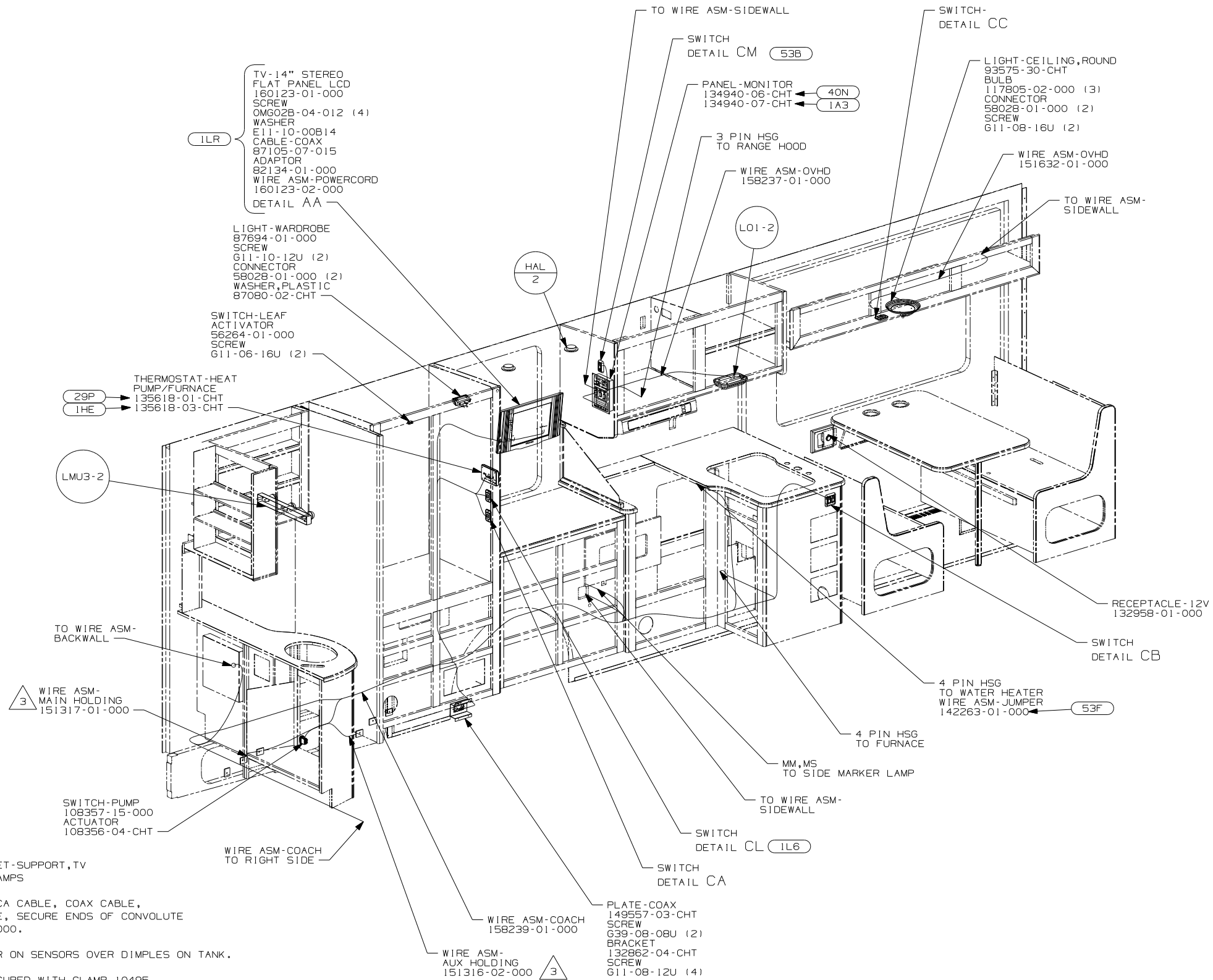
DANGER

Danger of electrical shock, burns or death. Always remove all power sources before attempting any repair, service or diagnostic work. Power can be present from shore power, generator, inverter or battery. All power sources must be disabled and secured before performing any service.



CAUTION

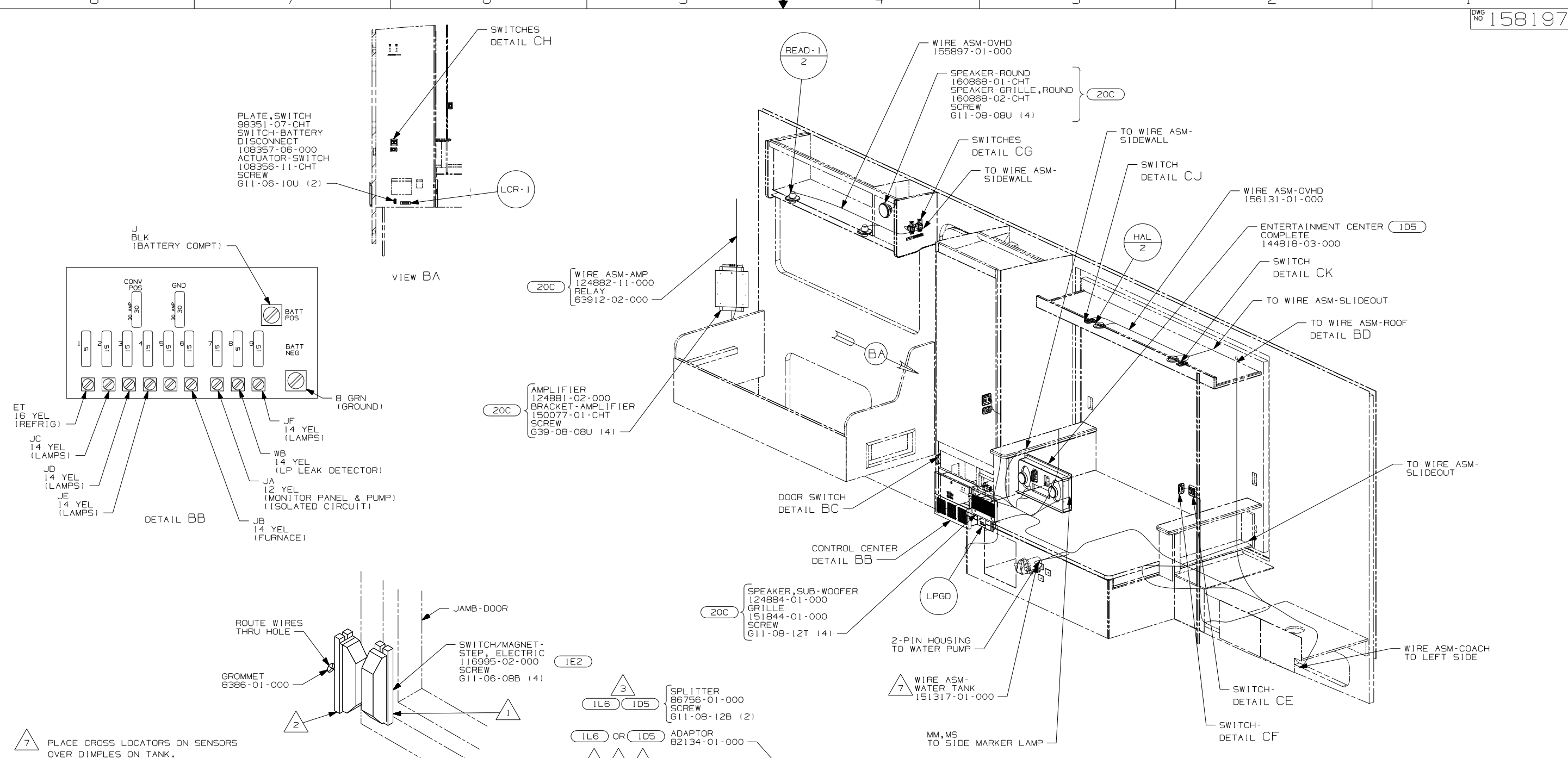
If you lack the skills, tools or equipment to perform diagnostic or repair work leave such work to an authorized Winnebago Industries dealer or other qualified shop.



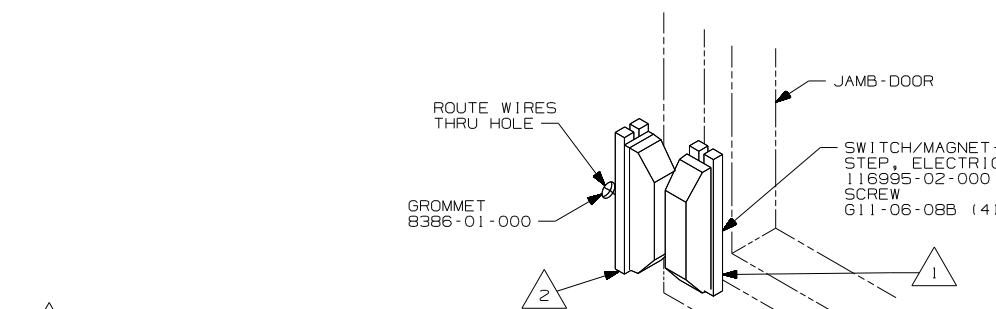
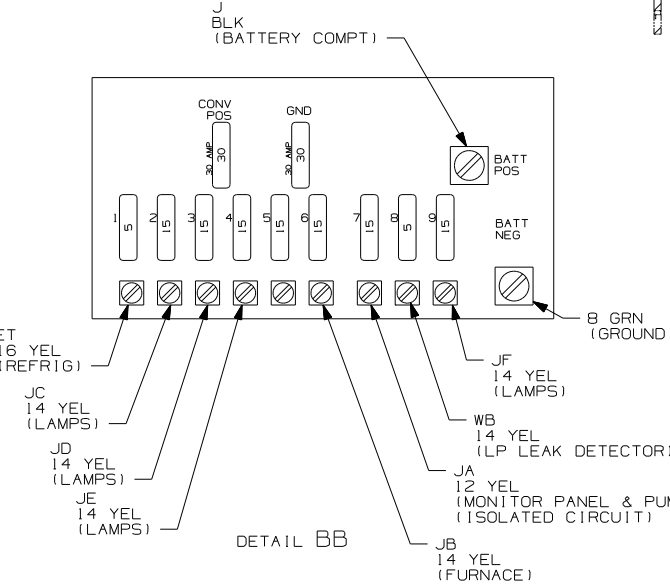
- (53F) WATER HEATER-ELEC. IGNITION
- (53B) WTR HTR-6GAL ELECTRIC/LP GAS
- (40N) GEN-4.0KW-ONANGAS-MICROQUIET
- (29P) AC HEAT PUMP-HI EFF, LOW PFL
- (1LR) TV-14\"/>

WINNEBAGO		COPYRIGHT 2006 WINNEBAGO INDUSTRIES, INC.	
DFTR	ORIG. DATE	ALL DIMENSIONS ARE IN MILLIMETERS	
CHKR		07 729H	
P.E.			
M.E.	FIRST USED		
DSNR			
UNSPECIFIED TOLERANCES ARE:		MATERIAL:	
WHOLE DIM (X)	: 3		
ONE-PLACE (X.X)	: 1.5		
TWO-PLACE (X.XX)	: 0.50		
ANGLE	: 1°		
THIRD ANGLE PROJECTION		DO NOT SCALE DRAWING	
TITLE: WIRING INSTL-BODY, 12V			
SHEET 1 OF 5	PART NO	158197	
REF:		1 8/17/2006	

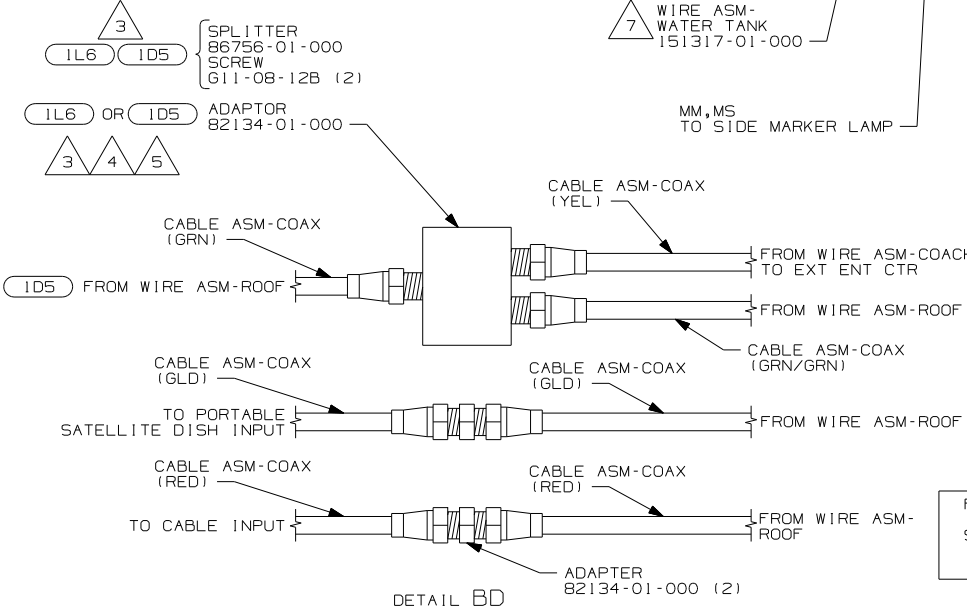
- 5 USE HOLES IN BRACKET-SUPPORT, TV FOR LOCATION OF CLAMPS
- 4 ADD CONVOLUTE TO RCA CABLE, COAX CABLE, AND 12V POWER CABLE, SECURE ENDS OF CONVOLUTE WITH TAPE 8363-01-000.
- 3 PLACE CROSS LOCATOR ON SENSORS OVER DIMPLES ON TANK.
2. ALL WIRES TO BE SECURED WITH CLAMP 10495 OR 10497 OR WIRE TIE 8343 OR 108046 EVERY 600MM. USE SCREW G67-XX-XXX OR G56-XX-XXX AS APPROPRAITE FOR INSTALLATION.
1. ROUTE TANK SENSOR WIRES SO THEY DO NOT PASSOVER SENSORS. USE WIRE TIE MOUNT 155366-01-000 AND WIRE TIE 8343-01-000 AS NEEDED. TANK SURFACE MUST BE CLEANED USING ISOPROPYL ALCOHOL AND PRIME WITH PRIMER 94



PLATE, SWITCH 98351-07-CHT
 SWITCH-BATTERY DISCONNECT 108357-06-000
 ACTUATOR-SWITCH 108356-11-CHT
 SCREW 611-06-10U (2)



- NOTES:
- 1 MOUNT MAGNET USING PILOT HOLES IN SCREEN DOOR FRAME. MOUNT WITH MAGNET TOWARD SWITCH.
 - 2 MOUNT SWITCH AND SPACER TO BLOCK ON JAMB. ADJUST HEIGHT TO MATCH MAGNET.
 - 3 WITHOUT 1L6 AND WITHOUT 1D5, NEITHER THE SPLITTER NOR THE ADAPTOR ARE USED.
 - 4 WITH 1L6 AND WITHOUT 1D5, USE ADAPTOR TO CONNECT GRN COAX TO GRN/GRN COAX.
 - 5 WITH 1D5 AND WITHOUT 1L6, USE ADAPTOR TO CONNECT GRN COAX TO YEL COAX.
 - 6 ALL WIRES TO BE SECURED WITH CLAMP 10495 OR 10497 OR WIRE TIE 8343 OR 108046 EVERY 600mm. USE SCREW G67-XX-XXX OR G56-XX-XXX AS APPROPRIATE FOR INSTALLATION.
 - 7 PLACE CROSS LOCATORS ON SENSORS OVER DIMPLES ON TANK.

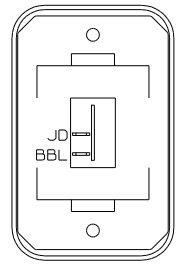


FOR ELECTRICAL TORQUE SPECIFICATIONS SEE DWG NO. 128783-01-000

FOR ELECTRICAL CALLOUTS SEE DWG NO. 121339-01-000

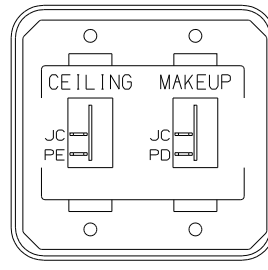
- 20C SOUND SYS. DLX. W/O-SURROUND
- 1L6 TV-15"DC,COLOR,LCD W/REMOTE
- 1D5 ENTERTAINMENT CENTR/EXT W/CD
- 1E2 ENTRANCE STEP-ELEC
- 265 CODES/STANDARDS-CSA/CMVSS
- 1B1 CODES/STANDARDS USA

FIRST USED	07 729H
TITLE:	DO NOT SCALE DRAWING
TITLE:	WIRING INSTL-BODY,12V
SHEET 2	PART NO 158197 REV



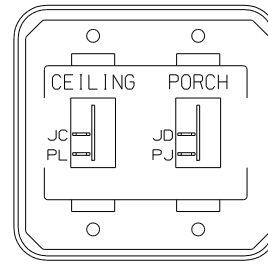
SWITCH-ROCKER
135740-01-CHT
SWITCH-BASE
135741-01-CHT
SWITCH-BEZEL
135742-01-CHT
SCREW
G11-08-08U (2)

DETAIL CA



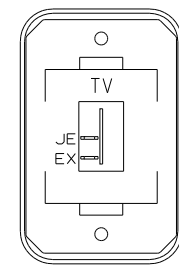
SWITCH-ROCKER
135740-01-CHT (2)
SWITCH-BASE
135741-02-CHT
SWITCH-BEZEL
135742-14-CHT
SCREW
G11-08-08U (4)

DETAIL CE



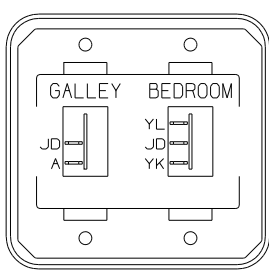
SWITCH-ROCKER
135740-01-CHT (2)
SWITCH-BASE
135741-02-CHT
SWITCH-BEZEL
135742-19-CHT
SCREW
G11-08-08U (4)

DETAIL CH



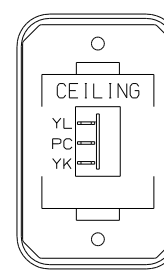
SWITCH-ROCKER
135740-01-CHT
SWITCH-BASE
135741-01-CHT
SWITCH-BEZEL
135742-45-CHT
SCREW
G11-08-08U (2)

DETAIL CL (IL6)



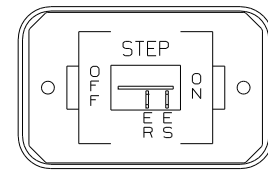
SWITCH-ROCKER
135740-01-CHT
135740-02-CHT
SWITCH-BASE
135741-02-CHT
SWITCH-BEZEL
135742-54-CHT
SCREW
G11-08-08U (4)

DETAIL CB



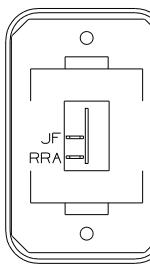
SWITCH-ROCKER
135740-01-CHT
SWITCH-BASE
135741-01-CHT
SWITCH-BEZEL
135742-07-CHT
SCREW
G11-08-08U (2)

DETAIL CF



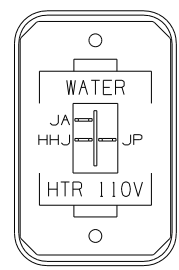
SWITCH-ROCKER
135740-01-CHT
SWITCH-BASE
135741-01-CHT
SWITCH-BEZEL
135742-11-CHT
SCREW
G11-08-08U (2)

(IE2)



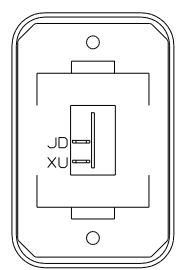
SWITCH-ROCKER
135740-01-CHT
SWITCH-BASE
135741-01-CHT
SWITCH-BEZEL
135742-01-CHT
SCREW
G11-08-08U (2)

DETAIL CJ



SWITCH-ROCKER
135740-06-CHT
SWITCH-BASE
135741-01-CHT
SWITCH-BEZEL
135742-35-CHT
SCREW
G11-08-08U (2)

DETAIL CM (53B)



SWITCH-ROCKER
135740-01-CHT
SWITCH-BASE
135741-01-CHT
SWITCH-BEZEL
135742-01-CHT
SCREW
G11-08-08U (2)

DETAIL CC

PLATE-SWITCH
144363-10-CHT
SWITCH
108357-06-000
ACTUATOR
108356-02-CHT
NUT
D65-08-00B (2)
CIRCUITS
DR,ER,DU
(DINETTE SLIDEOUT)

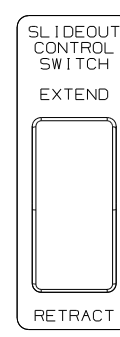
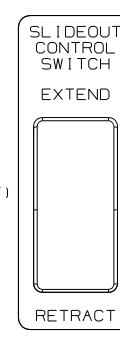


PLATE-SWITCH
144363-10-CHT
SWITCH
108357-06-000
ACTUATOR
108356-02-CHT
NUT
D65-08-00B (2)
CIRCUITS
BBM,ER,BBN
(BEDROOM SLIDEOUT)

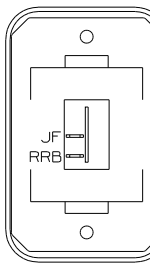
RETRACT

RETRACT

WARNING UNDERSTAND OPERATOR'S MANUAL BEFORE USING
KEEP PEOPLE AND OBSTRUCTIONS CLEAR OF
SLIDEOUT ROOM WHEN OPERATING TO AVOID
INJURY AND/OR PROPERTY DAMAGE

LABEL
116220-01-000

DETAIL CG



SWITCH-ROCKER
135740-01-CHT
SWITCH-BASE
135741-01-CHT
SWITCH-BEZEL
135742-01-CHT
SCREW
G11-08-08U (2)

DETAIL CK

- (IL6) TV-15"DC,COLOR,LCD W/REMOTE
- (IE2) ENTRANCE STEP-ELEC.
- (265) CODES/STANDARDS-CSA/CMVSS
- (1B1) CODES/STANDARDS USA

(1B1) (265)

FIRST USED	07 729H
TITLE	DO NOT SCALE DRAWING
TITLE	WIRING INSTL-BODY,12V
SHEET 3	PART NO 158197 REV

FOR ELECTRICAL
TORQUE
SPECIFICATIONS
SEE DWG NO.
128783-01-000

(X-X)
FOR
ELECTRICAL
CALLOUTS
SEE DWG NO.
121339-01-000

8

7

6

5

4

3

2

1

D

D

C

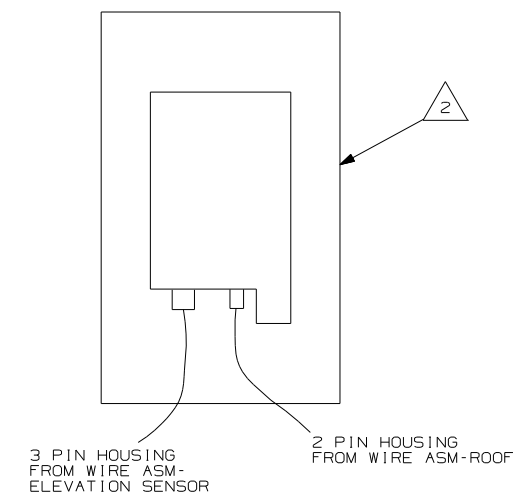
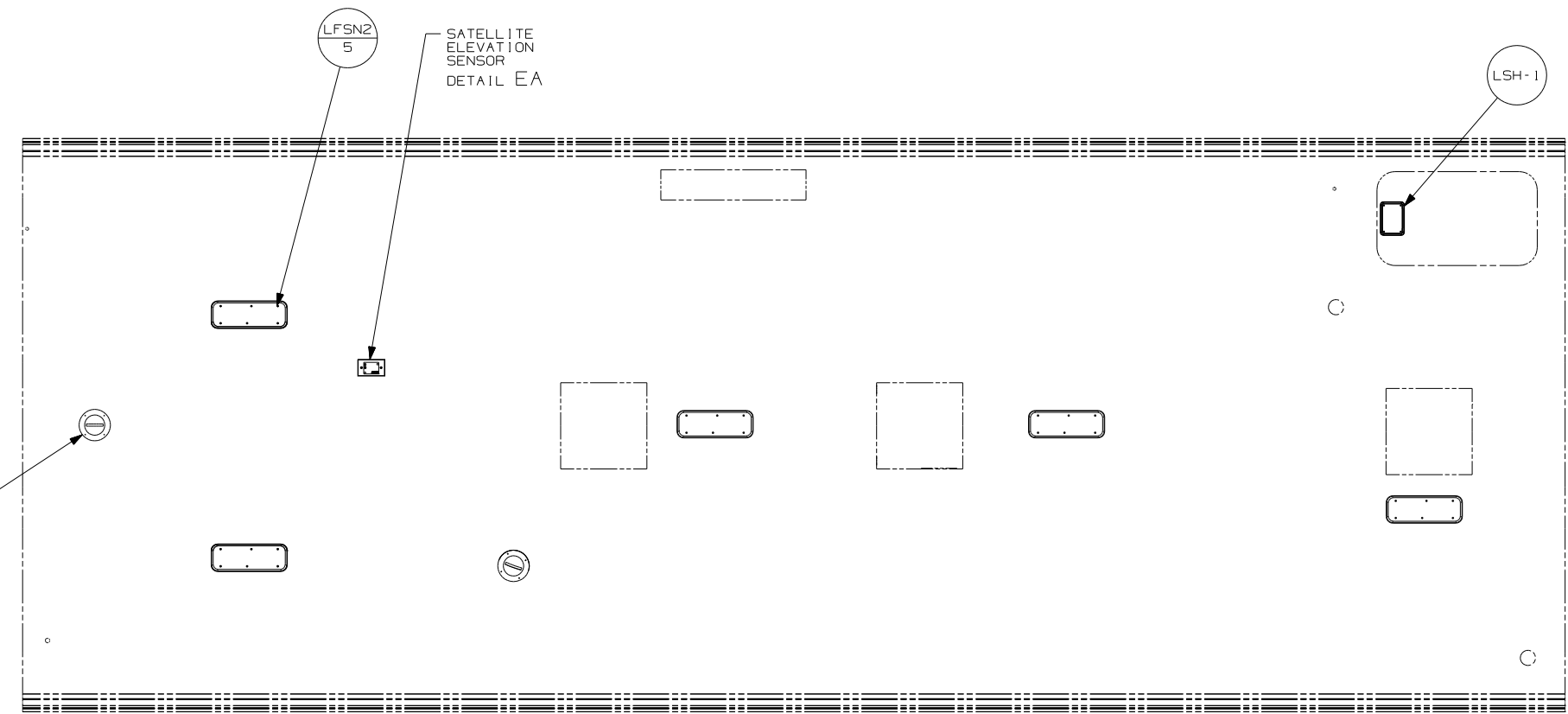
C

B

B

A

A



2 SENSOR SUPPLIED WITH SATELLITE ASSEMBLY.

1. SEE ROOF ASM FOR ADDITIONAL INFORMATION.

NOTES:

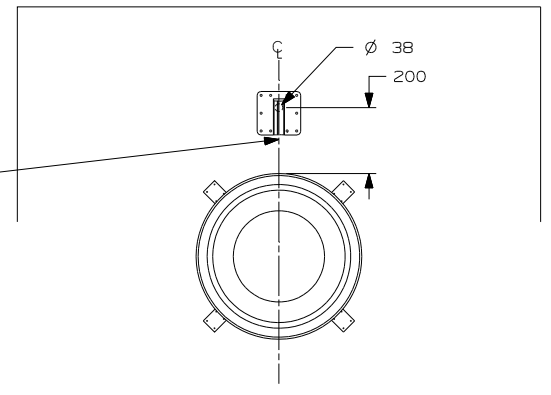
- 480 SATELLITE DISH & ELEV.SENSOR
- 20C SOUND SYS. DLX.W/O-SURROUND
- 265 CODES/STANDARDS-CSA/CMVSS
- 1B1 CODES/STANDARDS USA

FIRST USED	07 729H
DO NOT SCALE DRAWING	
TITLE:	WIRING INSTL-BODY, 12V
SHEET 4	PART NO 158197 REV

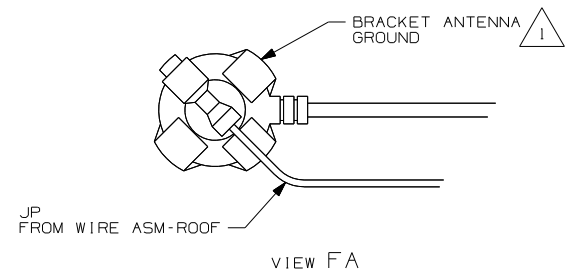
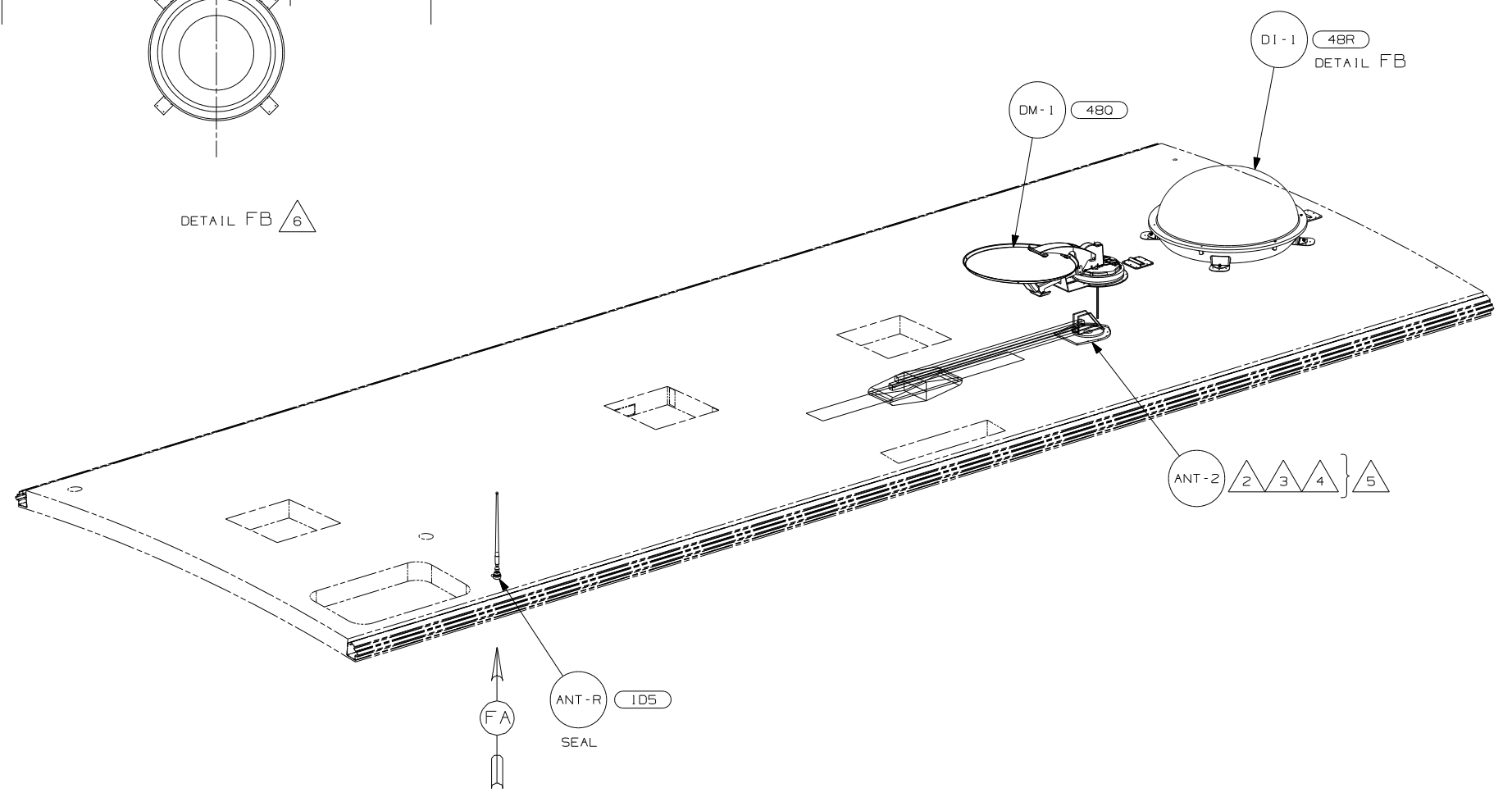
FOR ELECTRICAL TORQUE SPECIFICATIONS SEE DWG NO. 128783-01-000

FOR ELECTRICAL CALLOUTS SEE DWG NO. 121339-01-000

THE COAX CONNECTION IS TO BE PLACED ON THE CENTERLINE OF THE MOTORHOME FACING FORWARD



DETAIL FB \triangle 6



- NOTES:
- \triangle 6 REMOVE ALL SHIPPING RESTRAINTS AND FIRMLY INSERT THE SUPPLIED PLUGS INTO THE APPROPRIATE SIZED HOLES AS SPECIFIED IN THE INSTALLATION PROCESS.
 - \triangle 5 NOT USED WITH (1JB)
 - \triangle 4 ADD RUBBER BUMPERS TO ROOF UNDER EACH END OF ANTENNA IN DOWN POSITION.
 - \triangle 3 LOCATE CLIP TO RETAIN CABLE BUT NOT TO RESTRICT ANTENNA.
 - \triangle 2 SEE DRAWING 76319-01-000 FOR INSTALLATION OF TV ANTENNA.
 - \triangle 1 WRAP BRACKET LEGS AROUND ANTENNA BASE.

- (48R) SAT SYS IN-MOTION W/O RCVR
- (480) SATELLITE DISH & ELEV.SENSOR
- (1D5) ENTERTAINMENT CENTR/EXT W/CD
- (265) CODES/STANDARDS-CSA/CMVSS
- (1B1) CODES/STANDARDS USA

FIRST USED		07 729H	
DO NOT SCALE DRAWING			
TITLE: WIRING INSTL-BODY, 12V			
SHEET 5	PART NO	158197	REV

FOR ELECTRICAL TORQUE SPECIFICATIONS SEE DWG NO. 128783-01-000

(X-X) FOR ELECTRICAL CALLOUTS SEE DWG NO. 121339-01-000