



DANGER

Danger of electrical shock, burns or death. Always remove all power sources before attempting any repair, service or diagnostic work. Power can be present from shore power, generator, inverter or battery. All power sources must be disabled and secured before performing any service.

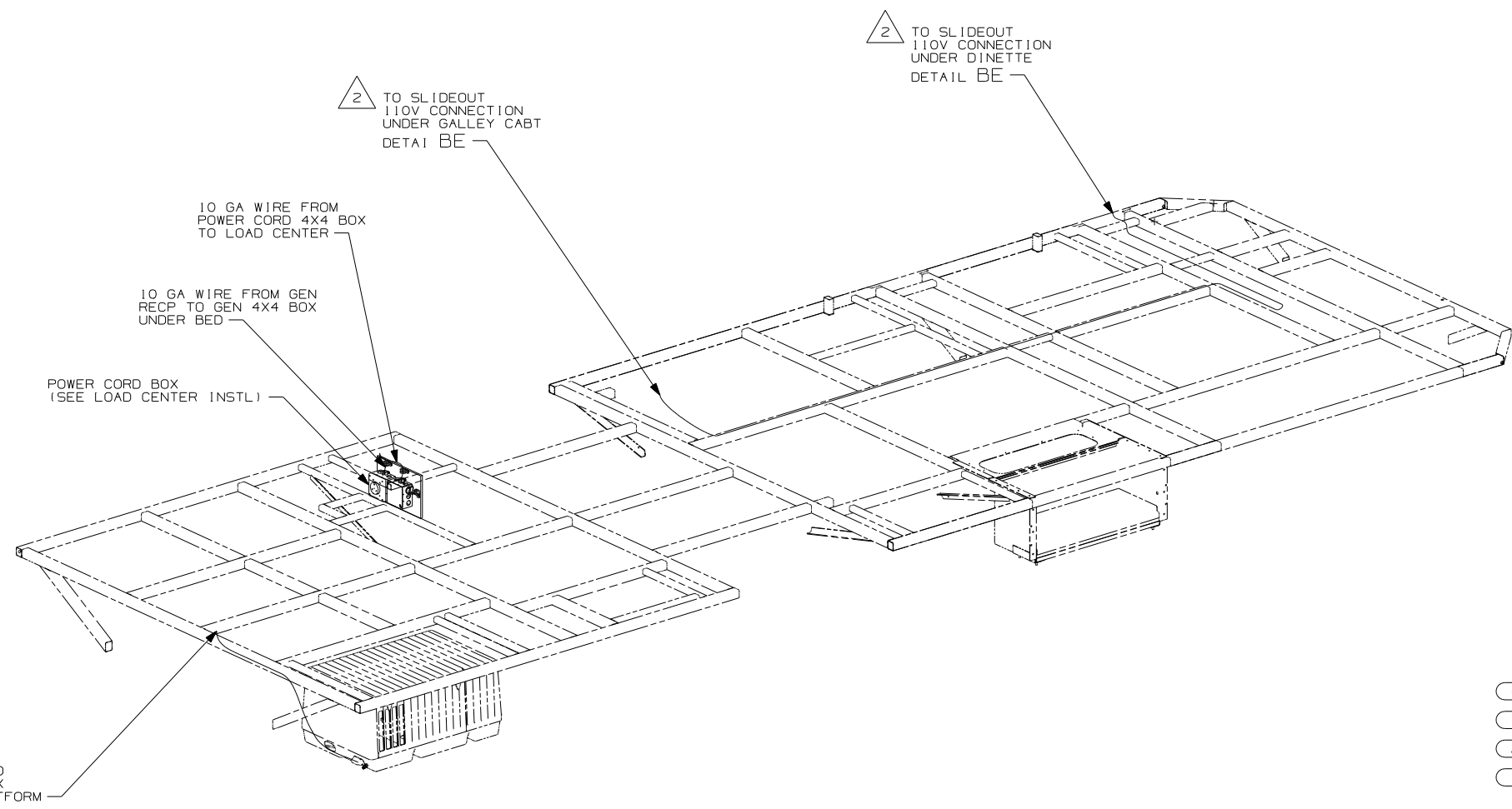


CAUTION

If you lack the skills, tools or equipment to perform diagnostic or repair work leave such work to an authorized Winnebago Industries dealer or other qualified shop.

DRAWING NO.	FEATURE
158196-01	-----
158196-11	(1B1) (12D)
158196-15	(265) (12D)

RELEASE	REV DATE	DWG NO
A		158196
REV ZONE	REVISION RECORD	DATE DFR-ORIG



- (40N) GEN-4.0KW-ONANGAS-MICROQUIET
- (12D) ELECTRICAL SYSTEM 30 AMP
- (265) CODES/STANDARDS-CSA/CMVSS
- (1B1) CODES/STANDARDS USA

(1B1) (265) (12D)

WINNEBAGO COPYRIGHT 2006 WINNEBAGO INDUSTRIES, INC.

DFTR	ORIG. DATE
CHKR	ALL DIMENSIONS ARE IN MILLIMETERS
P.E.	
M.E.	FIRST USED
DSNR	07 729H

UNSPECIFIED TOLERANCES ARE:

WHOLE DIM (X)	: 3
ONE-PLACE (X.X)	: 1.5
TWO-PLACE (X.XX)	: 0.50
ANGLE	: 1°

THIRD ANGLE PROJECTION

DO NOT SCALE DRAWING

TITLE: WIRING INSTL-BODY, 110V

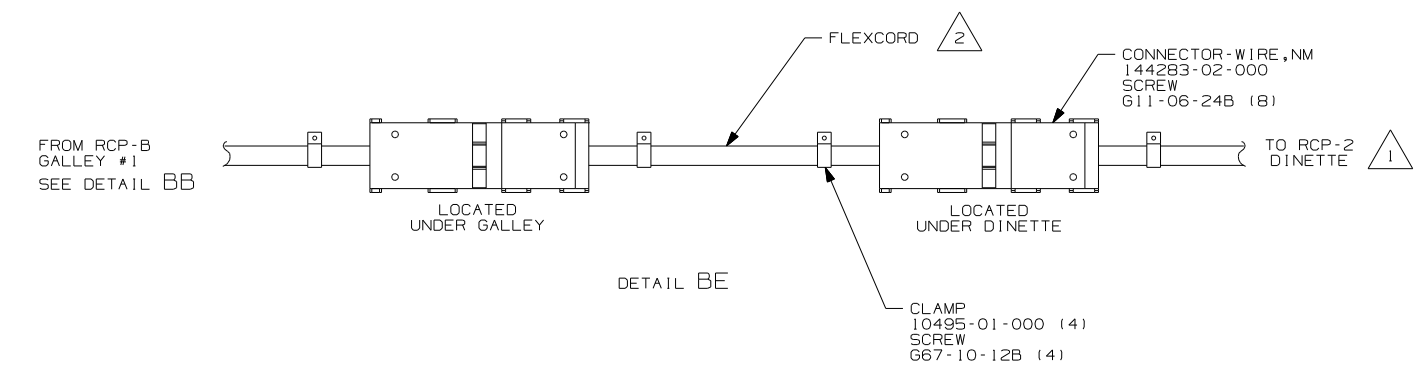
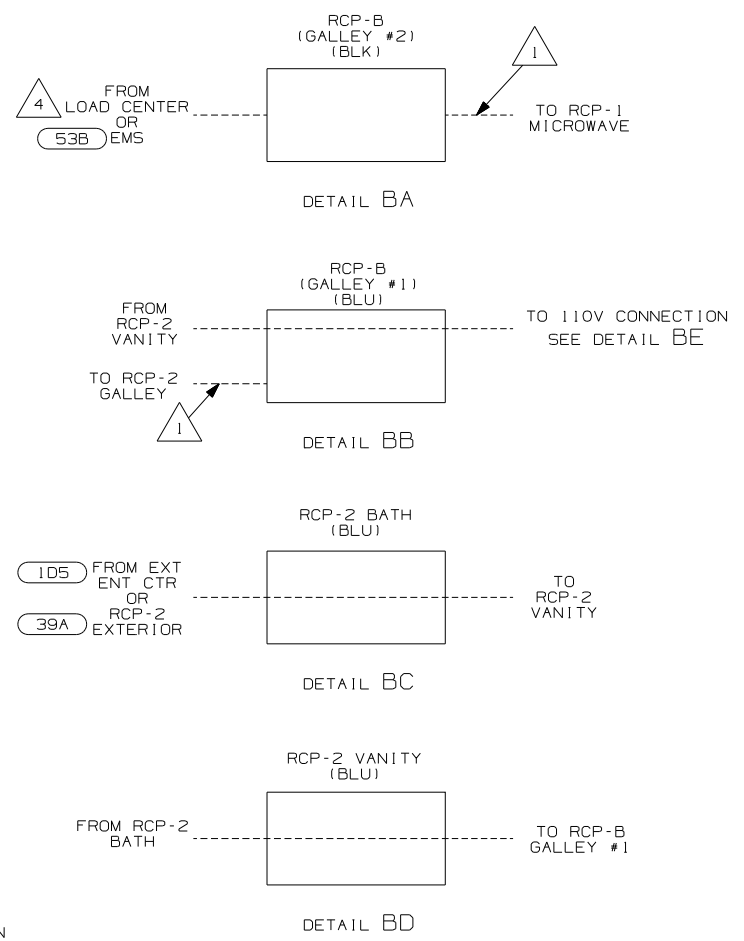
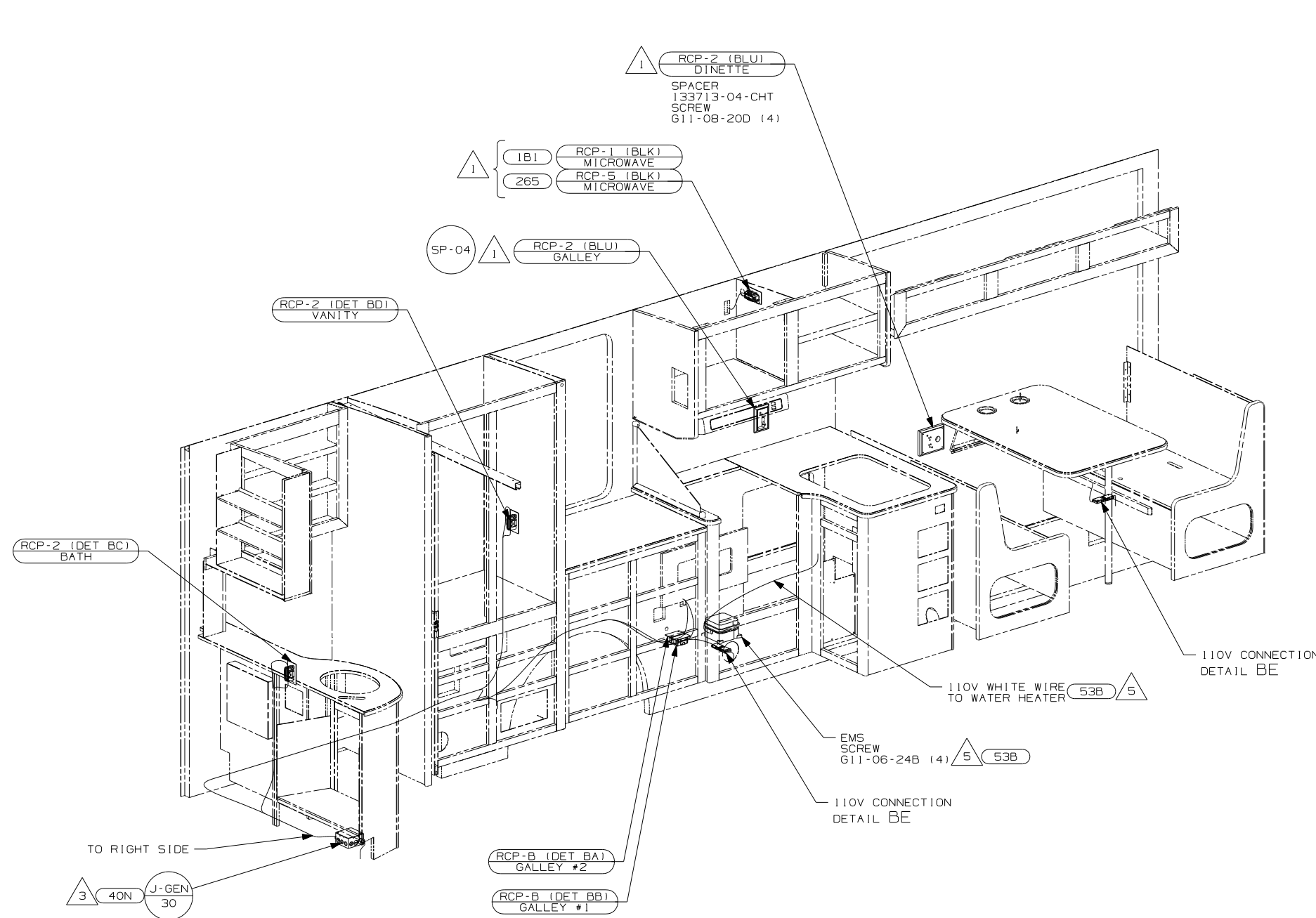
SHEET 1 of 3 PART NO 158196 REV

REF: 1 10/12/2006

NOTES:

(2) FLEX CORD IS PART OF WIRE ASM-CHASSIS.

(1) SEE GENERATOR INSTALLATION FOR ADDITIONAL INFORMATION.

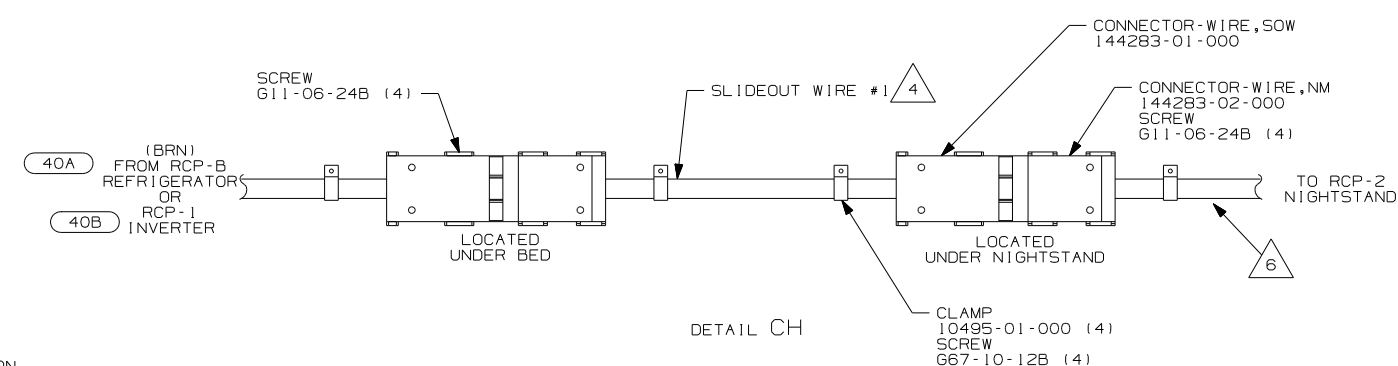
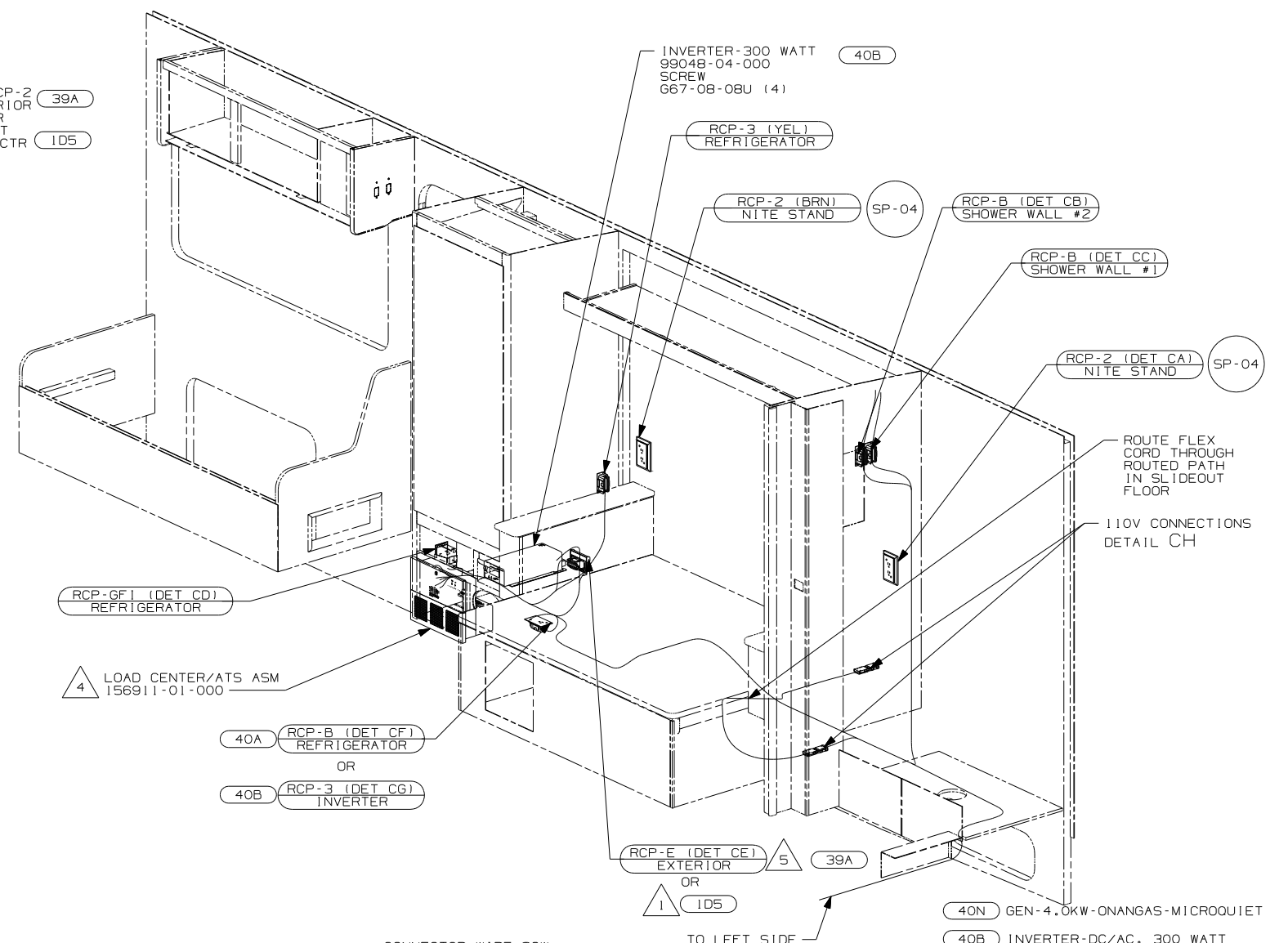
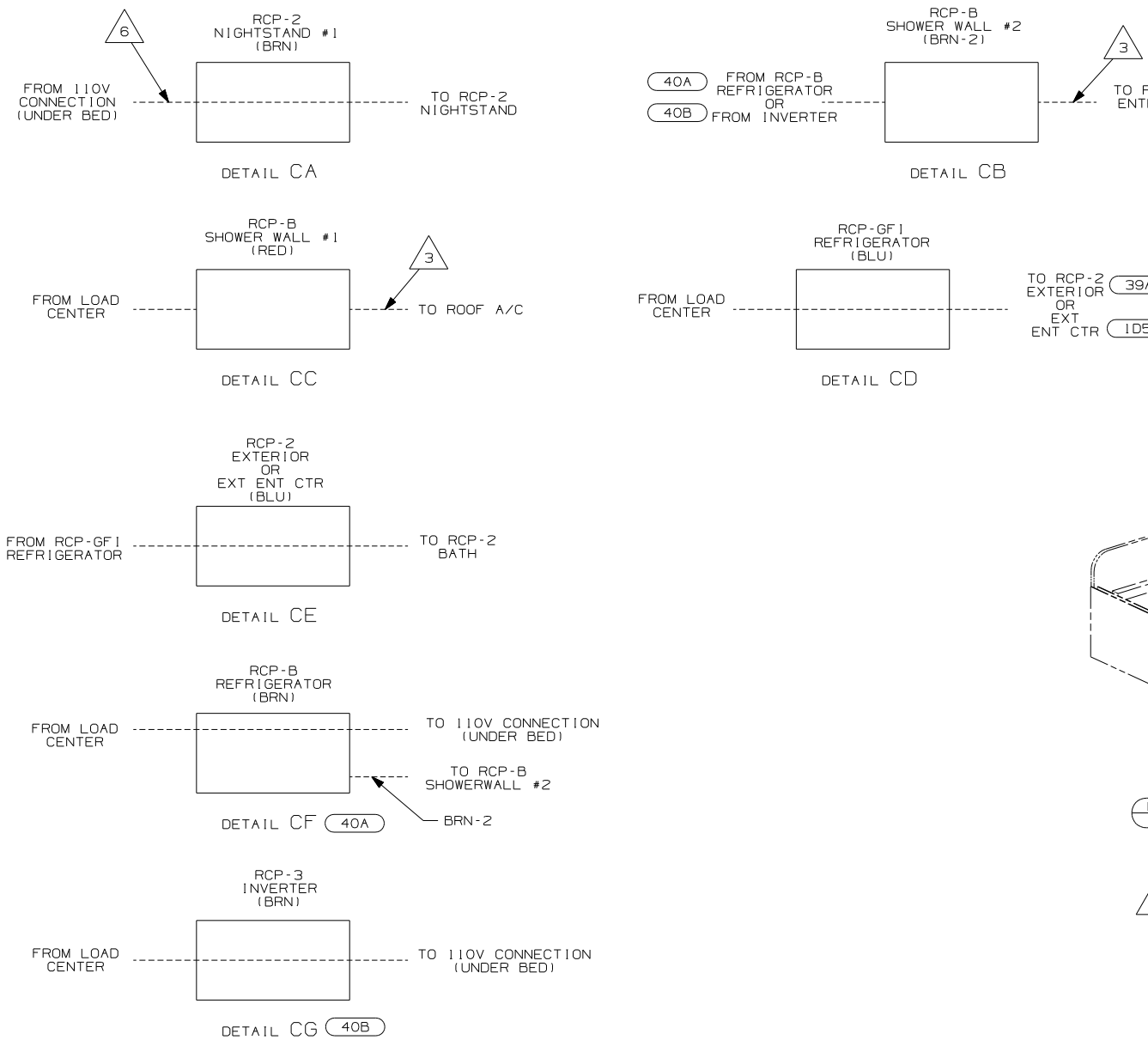


- (53B) WTR HTR-6GAL ELECTRIC/LP GAS
- (40N) GEN-4.0KW-ONANGAS-MICROQUIET
- (39A) EXT RECEPTACLE DPLX 120VAC
- (1D5) ENTERTAINMENT CENTR/EXT W/CD
- (12D) ELECTRICAL SYSTEM 30 AMP
- (265) CODES/STANDARDS-CSA/CMVSS
- (1B1) CODES/STANDARDS USA

NOTES:

- 5 SEE LOAD CENTER/ATS FOR ADDITIONAL INFORMATION.
- 4 WITHOUT (53B)
- 3 SEE GENERATOR INSTALLATION FOR ADDITIONAL INFORMATION.
- 2 FLEXCORD IS PART OF WIRE ASM-CHASSIS.
- 1 WIRE IN SIDEWALL.

FIRST USED		07 729H	
DO NOT SCALE DRAWING			
TITLE: WIRING INSTL-BODY, 110V			
SHEET 2	PART NO	158196	REV



- NOTES:
- 6 WIRE IN SIDEWALL.
 - 5 NOT USED WITH 105
 - 4 SEE LOAD CENTER ASM FOR ADDITIONAL INFORMATION.
 - 3 WIRE ROUTED IN ROOF.
 - 2 SEE GENERATOR INSTALLATION FOR ADDITIONAL INFORMATION.
 - 1 SEE ENTERTAINMENT CENTER INST FOR ADDITIONAL INFORMATION.

- 40N GEN-4.0KW-ONANGAS-MICROQUIET
- 40B INVERTER-DC/AC, 300 WATT
- 40A INVERTER-DC/AC WITHOUT
- 39A EXT RECEPTACLE DPLX 120VAC
- 105 ENTERTAINMENT CENTR/EXT W/CD
- 12D ELECTRICAL SYSTEM 30 AMP
- 265 CODES/STANDARDS-CSA/CMVSS
- 1B1 CODES/STANDARDS USA

FIRST USED		07 729H	
DO NOT SCALE DRAWING			
TITLE: WIRING INSTL-BODY, 110V			
SHEET 3	PART NO	158196	REV