

- (1PY) CHEVY CHASSIS 14,050 LB GVWR
- (16E) FORD CHASSIS 14,050 LB GVWR
- (1B1) CODES/STANDARDS USA
- (265) CODES/STANDARDS-CSA/CMVSS

FRONT  
OF  
COACH

- 6 VENT PIPE MUST PROJECT 51 MIN AND 64 MAX ABOVE ROOF FOR PROPER FIT AND FUNCTION.
5. SEAL AROUND SHOWER WITH SILICONE.
  4. ALL EXTERIOR OPENINGS AROUND PIPE TO BE SEALED WITH 131264-03-000.
  3. ALL PIPE AND FITTINGS TO BE ASSEMBLED WITH SOLVENT 4020-01-000 (US), 4020-02-000 (CAN).
  2. SLOPE OF TRAP ARM MUST BE 6 PER 305 mm.
  1. SLOPE OF HORIZONTAL PIPING TO BE MIN 3 PER 305 mm.

NOTES:

(X-X)  
FOR  
DRAINAGE  
CALLOUTS  
SEE DWG NO  
116229-01-000

<b>WINNEBAGO</b>		COPYRIGHT 2007 WINNEBAGO INDUSTRIES, INC.	
DFT	ORIG. DATE	ALL DIMENSIONS ARE IN MILLIMETERS	
CHKR		FIRST USED	
P.E.		07 729H	
M.E.		UNSPECIFIED TOLERANCES ARE:	
DSNR		MATERIAL:	
		WHOLE DIM (X)	: 3
		ONE-PLACE (X.X)	: 1.5
		TWO-PLACE (X.XX)	: 0.50
		ANGLE	: 1°
THIRD ANGLE PROJECTION		DO NOT SCALE DRAWING	
TITLE: DRAINAGE SYSTEM INSTL			
SHEET 1 OF 3	PART NO	158045	REV
REF:	1 5/15/2007		

SINK-DBL,L/S BASIN  
148870-01-CHT  
STRAINER  
92303-01-000 (2)  
ANGLE  
140002-01-CHT (8)  
SCREW  
142261-02-CHT (8)

SINK-LAV  
156661-01-CHT  
STRAINER ASM  
106116-01-CHT  
STRAINER GASKET  
106116-02-CHT  
SEAL  
91255-02-000

BRACKET  
136878-01-CHT  
CLAMP-HOSE  
62401-05-000  
SCREW  
G11-10-12U

BRACKET  
136878-01-CHT  
CLAMP-HOSE  
62401-05-000  
SCREW  
G11-10-12U

SHOWER INSTL  
147883-02-000  
STRAINER  
66440-01-000  
SEALER  
69640-01-000  
NUT  
130403-01-000

CLOSEOUT P-TRAP  
155526-01-CHT  
SCREW  
G39-08-08U (4)

BRACKET  
136878-01-CHT  
CLAMP-HOSE  
62401-05-000  
SCREW  
G11-10-12U

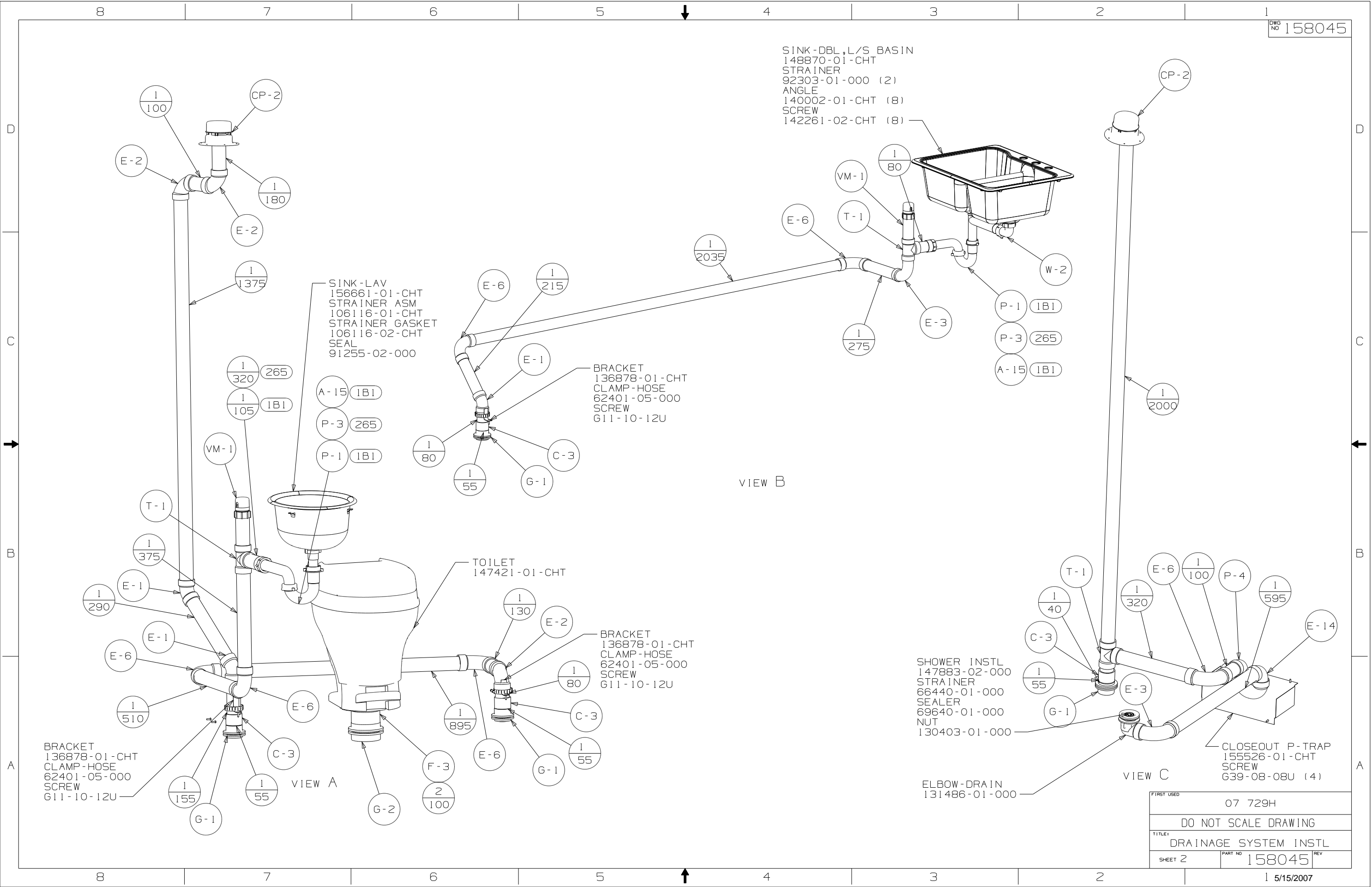
TOILET  
147421-01-CHT

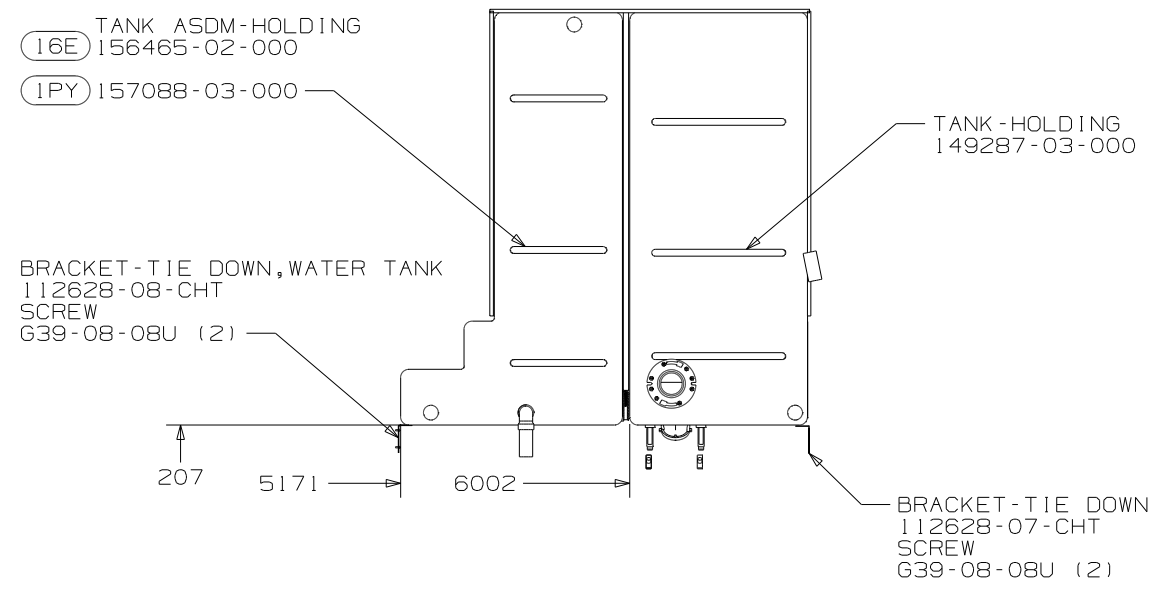
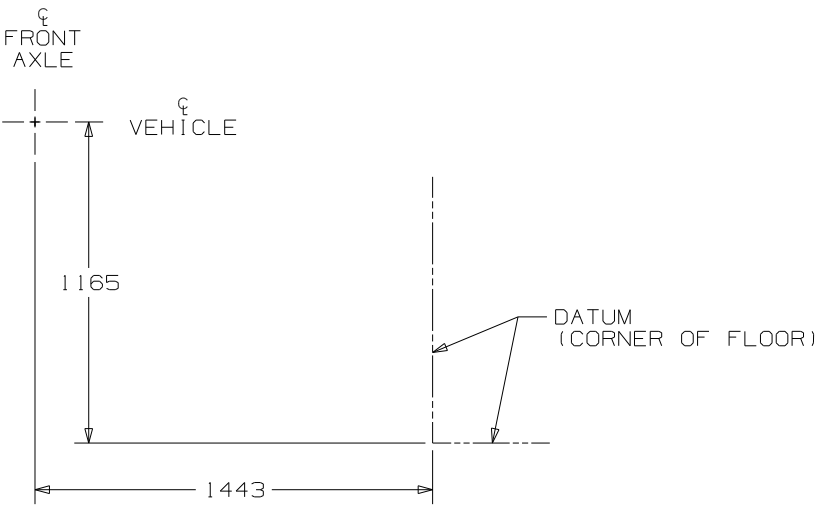
VIEW B

VIEW A

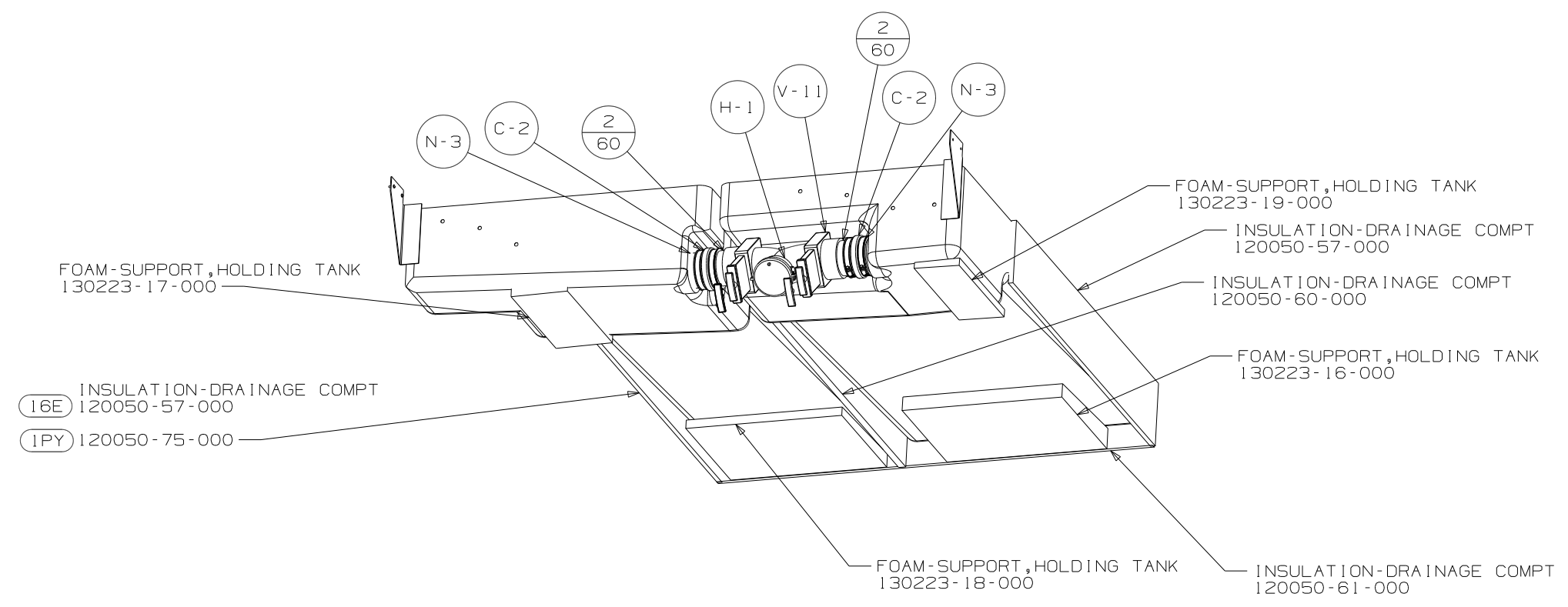
VIEW C

FIRST USED	07 729H
DO NOT SCALE DRAWING	
TITLE	DRAINAGE SYSTEM INSTL
SHEET 2	PART NO 158045 REV
1 5/15/2007	



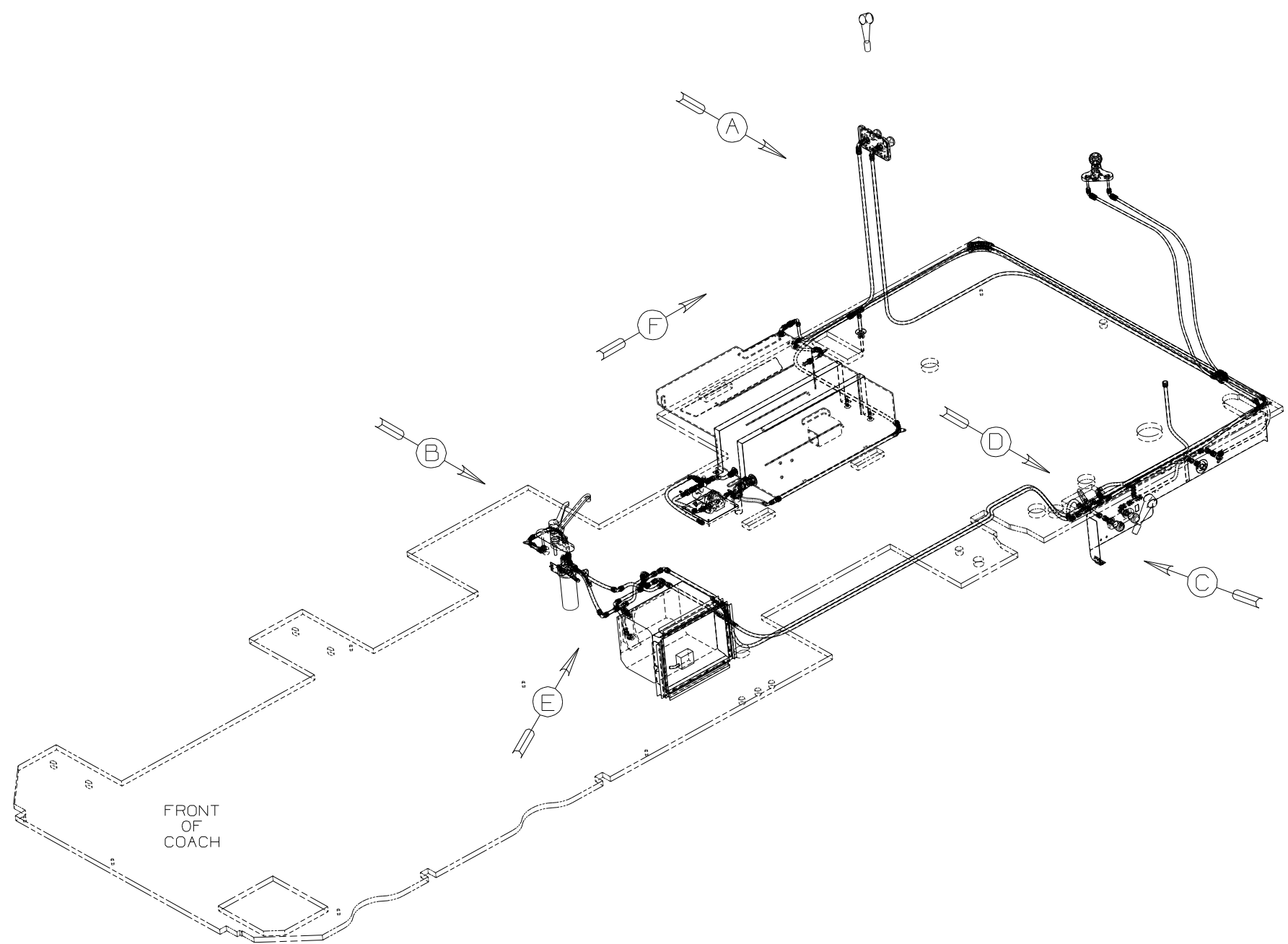


VIEW D



VIEW E

FIRST USED	07 729H		
TITLE	DO NOT SCALE DRAWING		
	DRAINAGE SYSTEM INSTL		
SHEET 3	PART NO	158045	REV

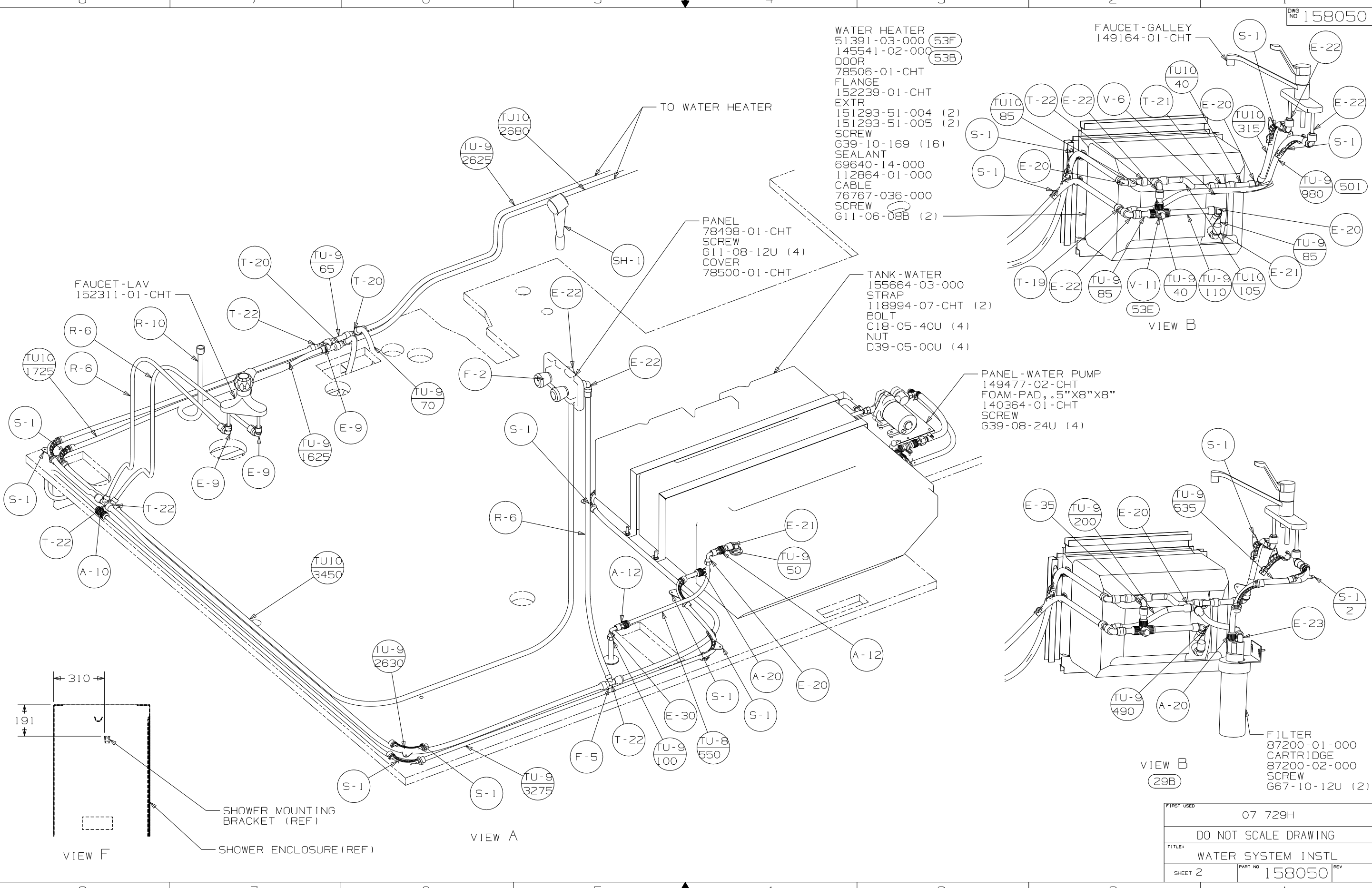


- (53B) WTR HTR-6GAL ELECTRIC/LP GAS
- (53F) WATER HEATER-ELEC. IGNITION
- (26B) WATER PURIFIER
- (501) WATER PURIFIER WITHOUT
- (65E) WATER SYS WINTERIZATION PKG
- (64R) EXTERIOR WASH STATION
- (1J4) EXT WASH STATION-WITHOUT
- (1H6) AIR SPRINGS-WITHOUT

- NOTES:
- 5 ADD TEFLON TAPE 10405-01-000.
  - 4 ADD TEFLON TAPE 10405-02-000.
  - 3. ALL TUBING TO BE SECURED AT 1200 INTERVALS MAXIMUM WITH CLAMP 10495-01-000 AND SCREW G67-10-12B OR EQUIVALENT.
  - 2. TUBING TO BE INSTALLED WITH SUFFICIENT SLOPE TO PROVIDE DRAINAGE TO NEAREST VALVE.
  - 1. PLASTIC FITTINGS TO BE SEALED WITH SEALANT 84456-01-000.

<b>WINNEBAGO</b>		COPYRIGHT 2007 WINNEBAGO INDUSTRIES, INC.	
DFTR	ORIG. DATE	ALL DIMENSIONS ARE IN MILLIMETERS	
CHKR		FIRST USED	
P.E.		07 729H	
M.E.		UNSPECIFIED TOLERANCES ARE:	
DSNR		MATERIAL:	
		WHOLE DIM (X)	: 3
		ONE-PLACE (X.X)	: 1.5
		TWO-PLACE (X.XX)	: 0.50
		ANGLE	: 1°
THIRD ANGLE PROJECTION		DO NOT SCALE DRAWING	
TITLE: WATER SYSTEM INSTL			
SHEET 1 OF 3	PART NO	158050	REV
REF	1 1/12/2007		

(X-X)  
FOR  
WATER  
CALLOUTS  
SEE DWG NO  
116230-01-000

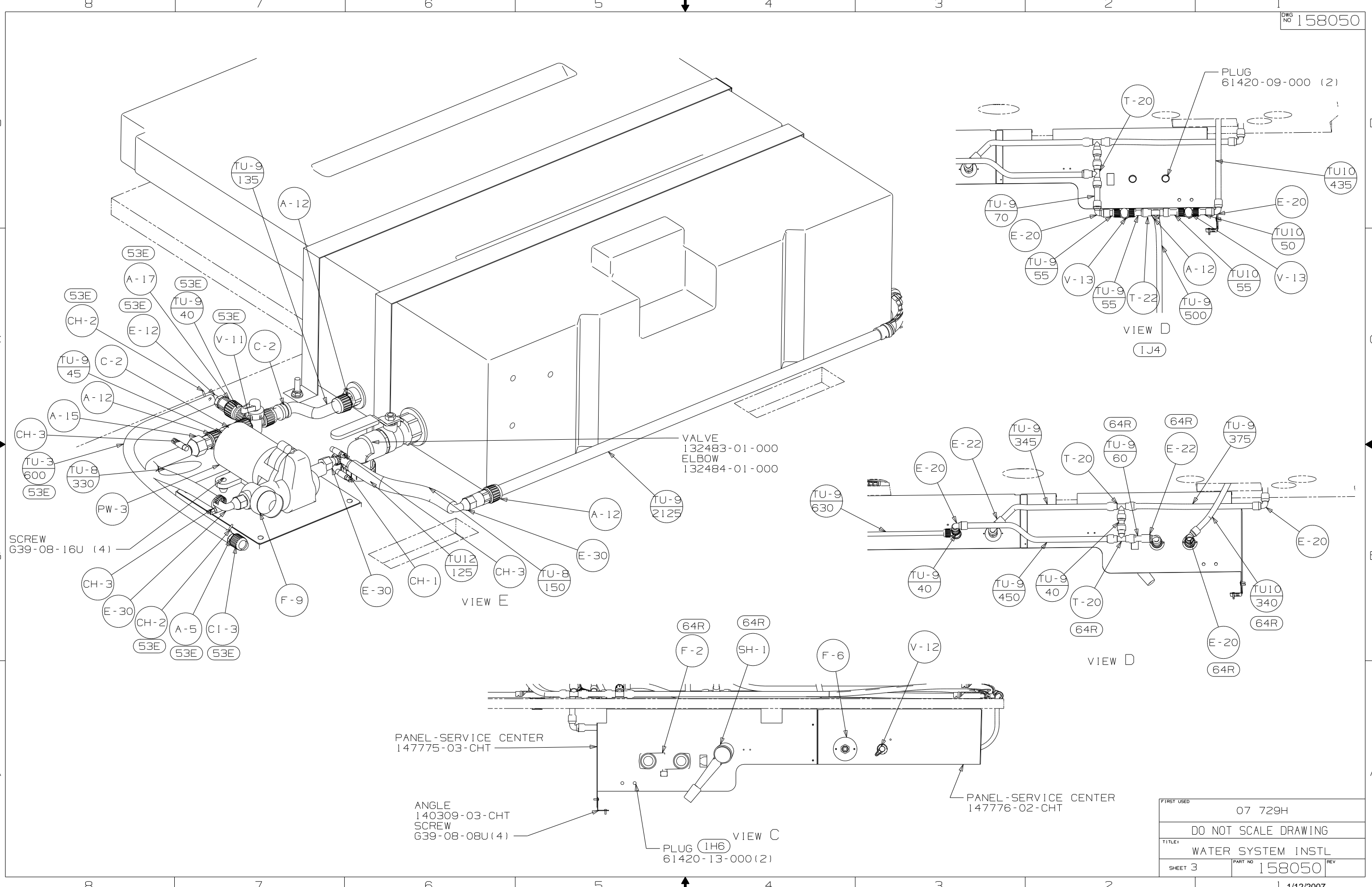


- WATER HEATER  
51391-03-000 (53F)
- 145541-02-000 (53B)
- DOOR  
78506-01-CHT
- FLANGE  
152239-01-CHT
- EXTR  
151293-51-004 (2)
- 151293-51-005 (2)
- SCREW  
G39-10-169 (16)
- SEALANT  
69640-14-000
- 112864-01-000
- CABLE  
76767-036-000
- SCREW  
G11-06-08B (2)

- FAUCET-GALLEY  
149164-01-CHT
- TANK-WATER  
155664-03-000
- STRAP  
118994-07-CHT (2)
- BOLT  
C18-05-40U (4)
- NUT  
D39-05-00U (4)
- PANEL-WATER PUMP  
149477-02-CHT
- FOAM-PAD, .5"X8"X8"  
140364-01-CHT
- SCREW  
G39-08-24U (4)

- PANEL  
78498-01-CHT
- SCREW  
G11-08-12U (4)
- COVER  
78500-01-CHT

FIRST USED	07 729H		
TITLE	DO NOT SCALE DRAWING		
	WATER SYSTEM INSTL		
SHEET 2	PART NO	158050	REV
			1 1/12/2007



SCREW  
G39-08-16U (4)

VALVE  
132483-01-000  
ELBOW  
132484-01-000

PANEL-SERVICE CENTER  
147775-03-CHT

ANGLE  
140309-03-CHT  
SCREW  
G39-08-08U (4)

PLUG (1H6)  
61420-13-000 (2)

FIRST USED	07 729H
TITLE	DO NOT SCALE DRAWING
	WATER SYSTEM INSTL
SHEET 3	PART NO 158050 REV