



**DANGER**

**Danger of electrical shock, burns or death.** Always remove all power sources before attempting any repair, service or diagnostic work. Power can be present from shore power, generator, inverter or battery. All power sources must be disabled and secured before performing any service.

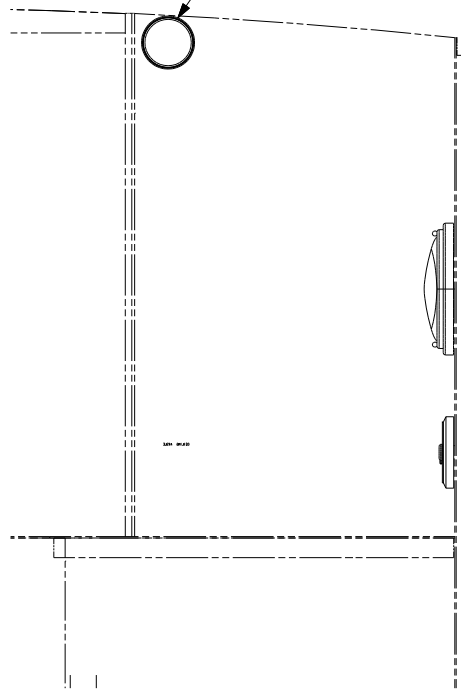


**CAUTION**

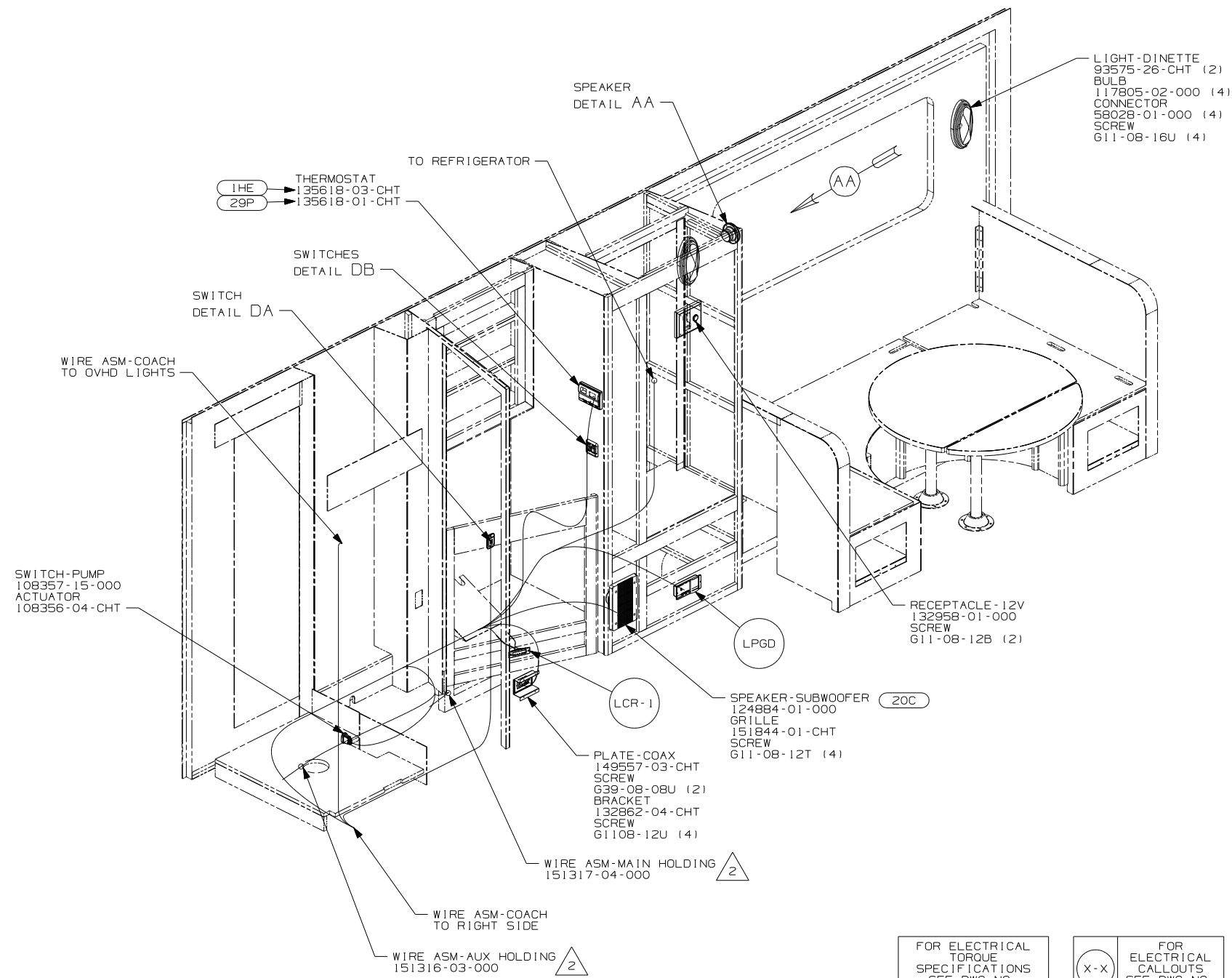
If you lack the skills, tools or equipment to perform diagnostic or repair work leave such work to an authorized Winnebago Industries dealer or other qualified shop.

SPEAKER-ROUND  
160868-01-CHT  
SPEAKER-GRILLE, ROUND  
160868-02-CHT  
SCREW  
611-08-08U (4)

20C



DETAIL AA



LIGHT-DINETTE  
93575-26-CHT (2)  
BULB  
117805-02-000 (4)  
CONNECTOR  
58028-01-000 (4)  
SCREW  
611-08-16U (4)

TO REFRIGERATOR  
THERMOSTAT  
135618-03-CHT  
135618-01-CHT

SWITCHES  
DETAIL DB

SWITCH  
DETAIL DA

WIRE ASM-COACH  
TO OVHD LIGHTS

SWITCH-PUMP  
108357-15-000  
ACTUATOR  
108356-04-CHT

RECEPTACLE-12V  
132958-01-000  
SCREW  
611-08-12B (2)

SPEAKER-SUBWOOFER  
124884-01-000  
GRILLE  
151844-01-CHT  
SCREW  
611-08-12T (4)

20C

PLATE-COAX  
149557-03-CHT  
SCREW  
639-08-08U (2)  
BRACKET  
132862-04-CHT  
SCREW  
61108-12U (4)

WIRE ASM-MAIN HOLDING  
151317-04-000

WIRE ASM-COACH  
TO RIGHT SIDE

WIRE ASM-AUX HOLDING  
151316-03-000

- 29P AC HEAT PUMP-1 HI EFFICIENCY
- 20C SOUND SYS. DLX. W/O-SURROUND
- 1HE A/C ROOF-HI EFF LOW PROFILE
- 265 CODES/STANDARDS-CSA/CMVSS
- 1B1 CODES/STANDARDS USA

1B1 265



DFTR	ORIG. DATE
CHKR	ALL DIMENSIONS ARE IN MILLIMETERS
P.E.	
M.E.	FIRST USED
DSNR	07 726A

UNSPECIFIED TOLERANCES ARE:	MATERIAL:
HOLE DIM (X)	: 3
ONE-PLACE (X.X)	: 1.5
TWO-PLACE (X.XX)	: 0.50
ANGLE	: 1°

DO NOT SCALE DRAWING

TITLE:  
WIRING INSTL-BODY, 12V

SHEET 1 of 6 PART NO 156850 REV

REF: 1 3/9/2007

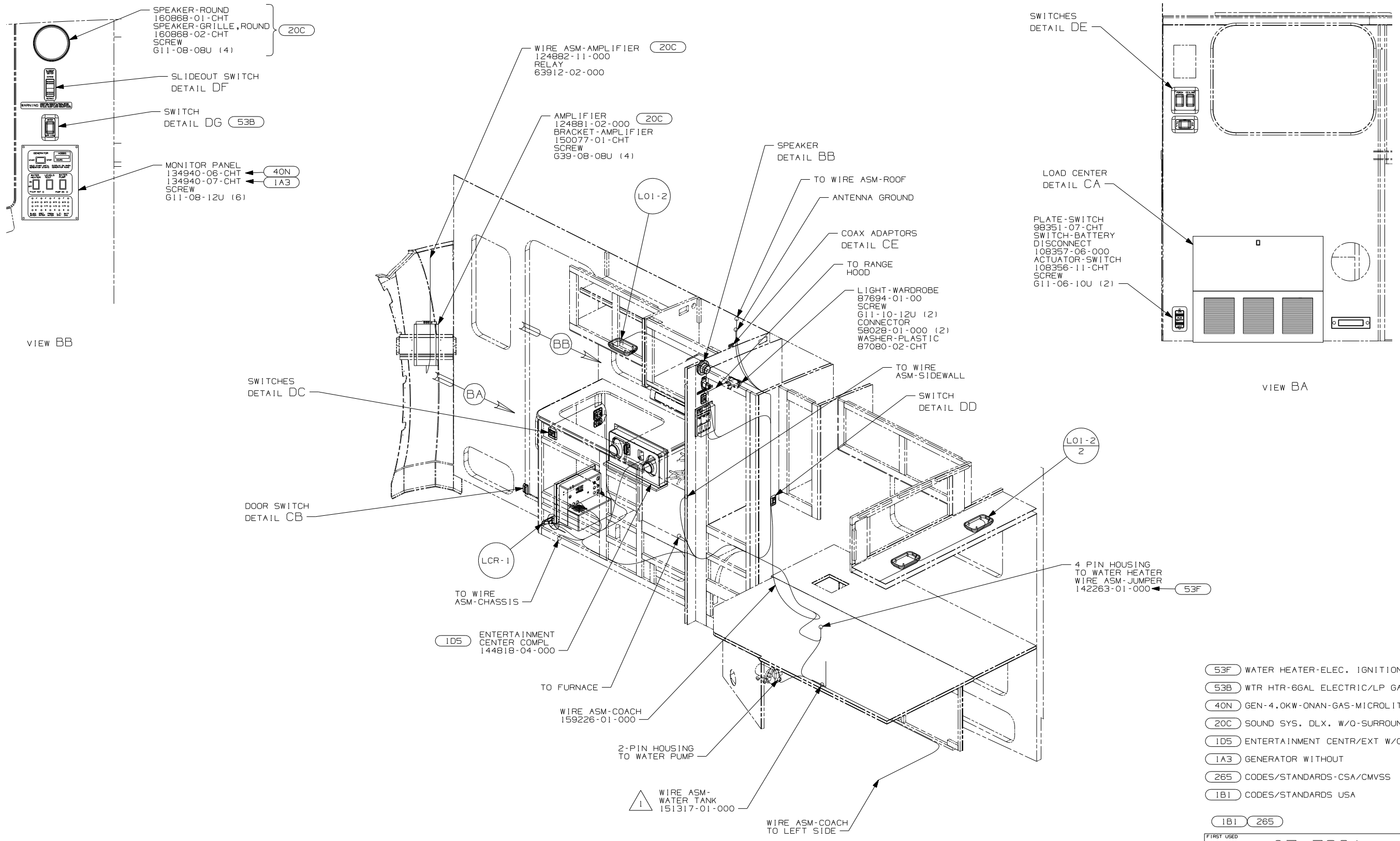
2 PLACE CROSS LOCATOR ON SENSORS OVER DIMPLES ON TANK.

1. ROUTE TANK SENSOR WIRES SO THEY DO NOT PASS OVER SENSORS. USE WIRE TIE MOUNT 155366-01-000 AND WIRE TIE 8343-01-000 AS NEEDED. TANK SURFACE MUST BE CLEANED USING ISOPROPYL ALCOHOL AND PRIMED WITH PRIMER 94.

NOTES:

FOR ELECTRICAL TORQUE SPECIFICATIONS SEE DWG NO. 128783-01-000

X-X FOR ELECTRICAL CALLOUTS SEE DWG NO. 121339-01-000



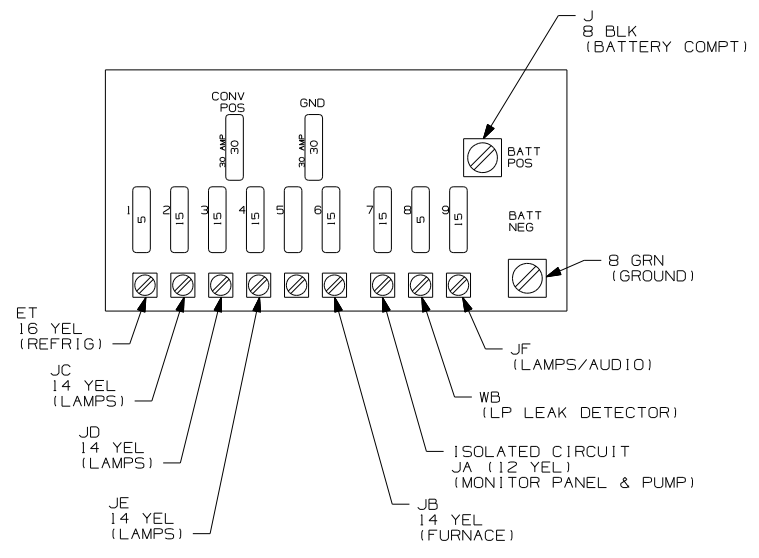
- (53F) WATER HEATER-ELEC. IGNITION
- (53B) WTR HTR-6GAL ELECTRIC/LP GAS
- (40N) GEN-4.0KW-ONAN-GAS-MICROLITE
- (20C) SOUND SYS. DLX. W/O-SURROUND
- (1D5) ENTERTAINMENT CENTR/EXT W/CD
- (1A3) GENERATOR WITHOUT
- (265) CODES/STANDARDS-CSA/CMVSS
- (1B1) CODES/STANDARDS USA

FIRST USED	07 726A
TITLE	DO NOT SCALE DRAWING
	WIRING INSTL-BODY, 12V
SHEET 2	PART NO 156850

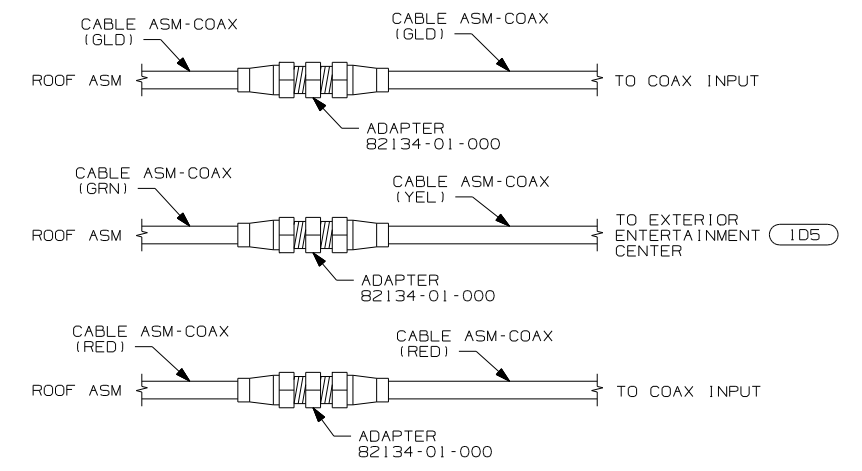
FOR ELECTRICAL TORQUE SPECIFICATIONS SEE DWG NO. 128783-01-000

FOR ELECTRICAL CALLOUTS SEE DWG NO. 121339-01-000

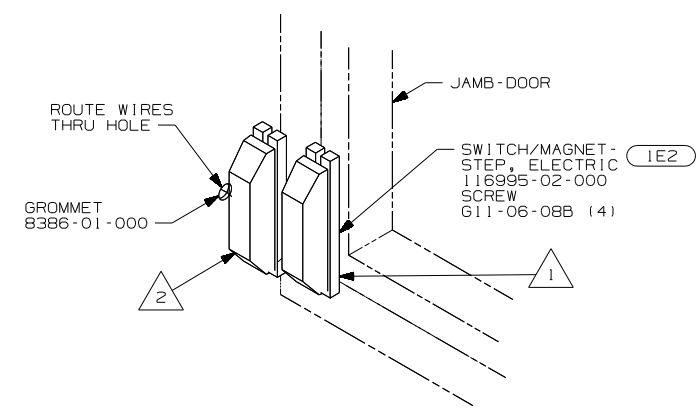
NOTES: PLACE CROSS LOCATOR ON SENSORS OVER DIMPLES ON TANK.



DETAIL CA



DETAIL CE



DETAIL CB

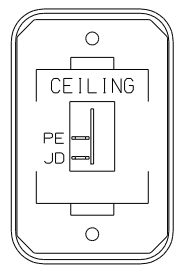
- NOTES:
- 2 MOUNT SWITCH AND SPACER TO BLOCK ON JAMB. ADJUST HEIGHT TO MATCH MAGNET.
  - 1 MOUNT MAGNET USING PILOT HOLES IN SCREEN DOOR FRAME. MOUNT WITH MAGNET TOWARD SWITCH.

- 1E2 ENTRANCE STEP-ELEC.
- 1D5 ENTERTAINMENT CENTER/EXT W/CD
- 265 CODES/STANDARDS-CSA/CMVSS
- 1B1 CODES/STANDARDS USA

FOR ELECTRICAL TORQUE SPECIFICATIONS SEE DWG NO. 128783-01-000

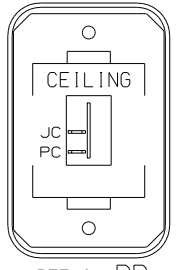
FOR ELECTRICAL CALLOUTS SEE DWG NO. 121339-01-000

FIRST USED	07 726A	
TITLE	DO NOT SCALE DRAWING	
	WIRING INSTL-BODY, 12V	
SHEET 3	PART NO	REV
	156850	



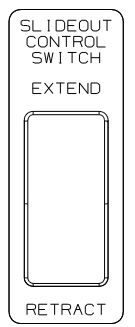
SWITCH-ROCKER  
135740-01-CHT  
SWITCH-BASE  
135741-01-CHT  
SWITCH-BEZEL  
135742-07-CHT  
SCREW  
G11-08-08U (2)

DETAIL DA



SWITCH-ROCKER  
135740-01-CHT  
SWITCH-BASE  
135741-01-CHT  
SWITCH-BEZEL  
135742-07-CHT  
SCREW  
G11-08-08U (2)

DETAIL DD

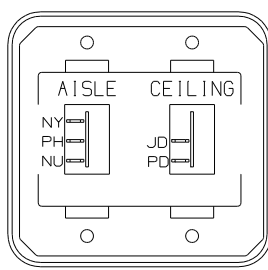


SLIDEOUT  
CONTROL  
SWITCH  
EXTEND  
RETRACT  
PLATE-SWITCH  
144363-09-CHT  
SWITCH  
108357-06-000  
ACTUATOR  
108356-02-CHT  
NUT  
D65-08-00B (2)  
LABEL  
116220-01-000

**WARNING** UNDERSTAND OPERATOR'S MANUAL BEFORE USING  
KEEP PEOPLE AND OBSTRUCTIONS CLEAR OF  
SLIDEOUT ROOM WHEN OPERATING TO AVOID  
INJURY AND/OR PROPERTY DAMAGE

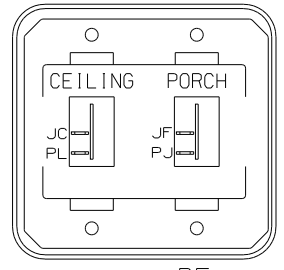
LABEL-WARNING  
116549-01-000

DETAIL DF



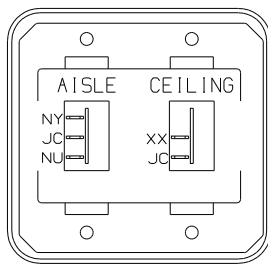
SWITCH-ROCKER  
135740-01-CHT  
135740-02-CHT  
SWITCH-BASE  
135741-02-CHT  
SWITCH-BEZEL  
135742-13-CHT  
SCREW  
G11-08-08U (4)

DETAIL DB



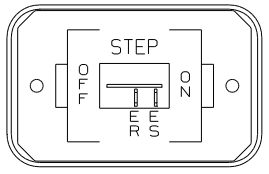
SWITCH-ROCKER  
135740-01-CHT (2)  
SWITCH-BASE  
135741-02-CHT  
SWITCH-BEZEL  
135742-19-CHT  
SCREW  
G11-08-08U (4)

DETAIL DE



SWITCH-ROCKER  
135740-01-CHT  
135740-02-CHT  
SWITCH-BASE  
135741-02-CHT  
SWITCH-BEZEL  
135742-13-CHT  
SCREW  
G11-08-08U (4)

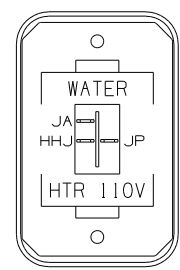
DETAIL DC



SWITCH-ROCKER  
135740-01-CHT  
SWITCH-BASE  
135741-01-CHT  
SWITCH-BEZEL  
135742-11-CHT  
SCREW  
G11-08-08U (2)

DETAIL DE

1E2



SWITCH-ROCKER  
135740-06-CHT  
SWITCH-BASE  
135741-01-CHT  
SWITCH-BEZEL  
135742-35-CHT  
SCREW  
G11-08-08U (2)

DETAIL DG 53B

- 53B WTR HTR-6GAL ELECTRIC/LP GAS
- 1E2 ENTRANCE STEP-ELEC.
- 265 CODES/STANDARDS-CSA/CMVSS
- 1B1 CODES/STANDARDS USA

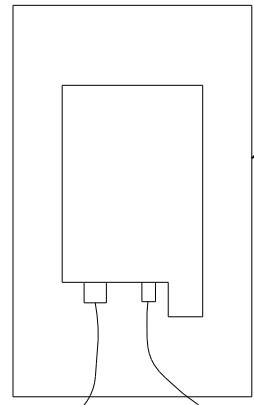
1B1 265

FIRST USED	07 726A
DO NOT SCALE DRAWING	
TITLE:	WIRING INSTL-BODY, 12V
SHEET 4	PART NO 156850 REV

FOR ELECTRICAL  
TORQUE  
SPECIFICATIONS  
SEE DWG NO.  
128783-01-000



FOR  
ELECTRICAL  
CALLOUTS  
SEE DWG NO.  
121339-01-000



3 PIN HOUSING FROM WIRE ASM-ELEVATION SENSOR  
2 PIN HOUSING FROM WIRE ASM-ROOF

DETAIL EA 480

SATELLITE ELEVATION SENSOR  
DETAIL EA

20C SPEAKER-ROUND, CEILING  
160867-01-CHT  
SCREW  
G1208-12-170 (4)

LFSN2  
5

LF1N2

LSH-1

- 480 SATELLITE DISH & ELEV.SENSOR
- 20C SOUND SYS. DLX.W/O-SURROUND
- 265 CODES/STANDARDS-CSA/CMVSS
- 1B1 CODES/STANDARDS USA

1B1 265

FIRST USED	07 726A
DO NOT SCALE DRAWING	
TITLE:	WIRING INSTL-BODY, 12V
SHEET 5	PART NO 156850 REV

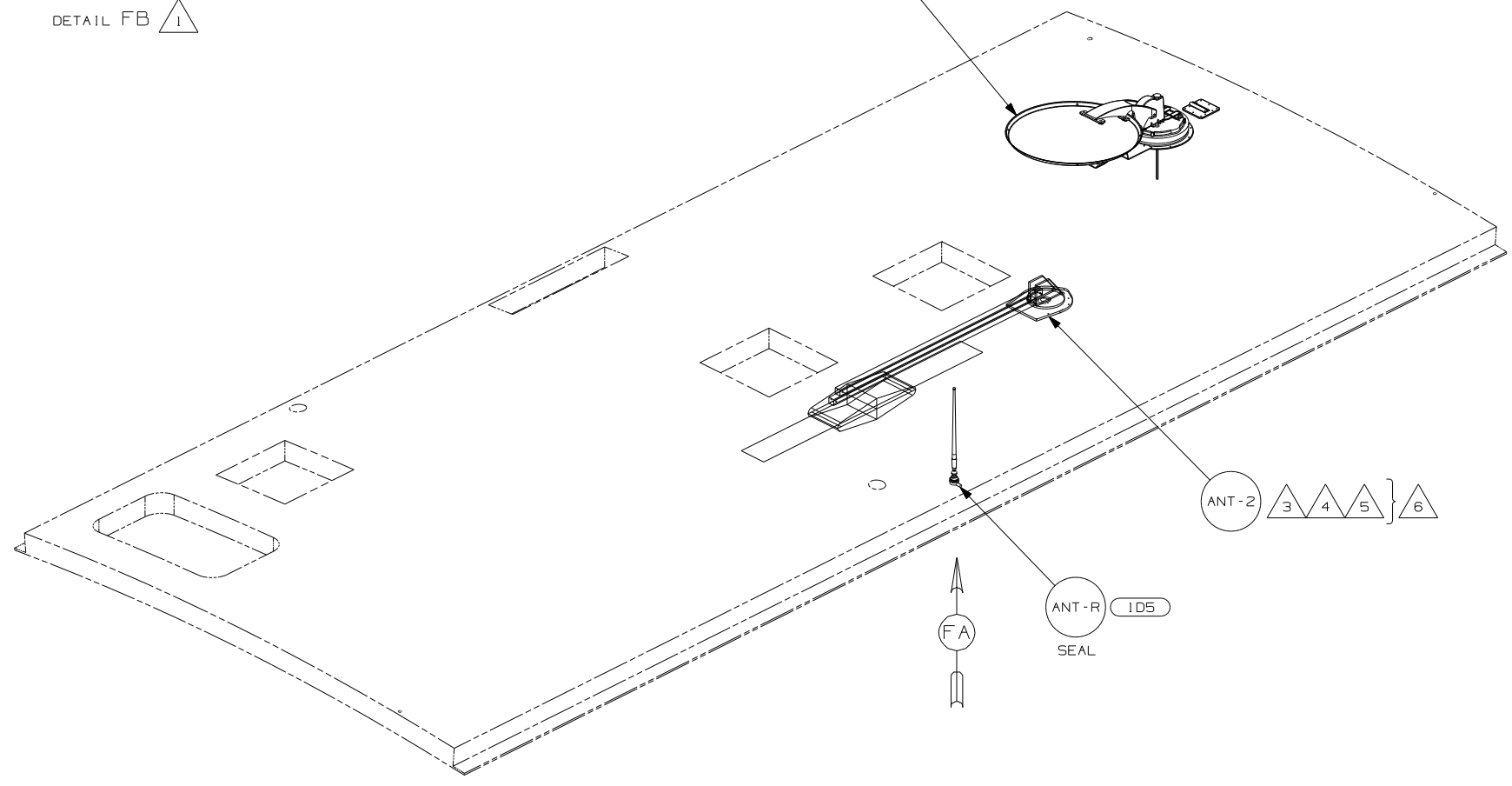
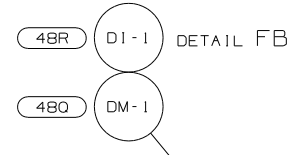
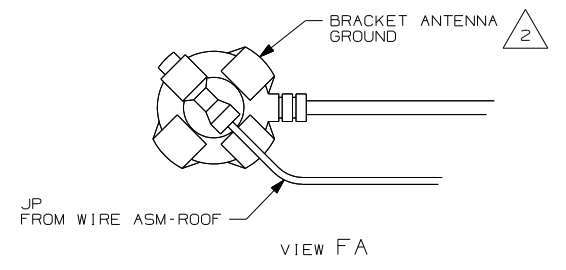
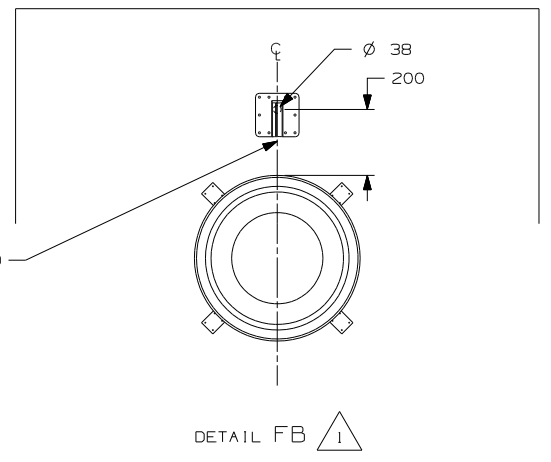
FOR ELECTRICAL TORQUE SPECIFICATIONS SEE DWG NO. 128783-01-000

FOR ELECTRICAL CALLOUTS SEE DWG NO. 121339-01-000

2 SENSOR SUPPLIED WITH SATELLITE ASSEMBLY.  
1. SEE ROOF ASM FOR ADDITIONAL INFORMATION.

NOTES:

THE COAX CONNECTION IS TO BE PLACED ON THE CENTERLINE OF THE MOTORHOME FACING FORWARD



- 6 NOT USED WITH 1JB
- 5 ADD RUBBER BUMPERS TO ROOF UNDER EACH END OF ANTENNA IN DOWN POSITION.
- 4 LOCATE CLIP TO RETAIN CABLE BUT NOT TO RESTRICT ANTENNA.
- 3 SEE DRAWING 76319-01-000 FOR INSTALLATION OF TV ANTENNA.
- 2 WRAP BRACKET LEGS AROUND ANTENNA BASE.
- 1 REMOVE ALL SHIPPING RESTRAINTS AND FIRMLY INSERT THE SUPPLIED PLUGS INTO THE APPROPRIATE SIZED HOLES AS SPECIFIED IN THE INSTALLATION PROCESS.

NOTES:

- 48R SAT SYS IN-MOTION W/O RCVR
- 48Q SATELLITE DISH & ELEV.SENSOR
- ID5 ENTERTAINMENT CENTR/EXT W/CD
- 265 CODES/STANDARDS-CSA/CMVSS
- 1B1 CODES/STANDARDS USA

FIRST USED	07 726A
DO NOT SCALE DRAWING	
TITLE:	WIRING INSTL-BODY, 12V
SHEET 6	PART NO 156850 REV

FOR ELECTRICAL TORQUE SPECIFICATIONS SEE DWG NO. 128783-01-000

FOR ELECTRICAL CALLOUTS SEE DWG NO. 121339-01-000