



DANGER

Danger of electrical shock, burns or death. Always remove all power sources before attempting any repair, service or diagnostic work. Power can be present from shore power, generator, inverter or battery. All power sources must be disabled and secured before performing any service.

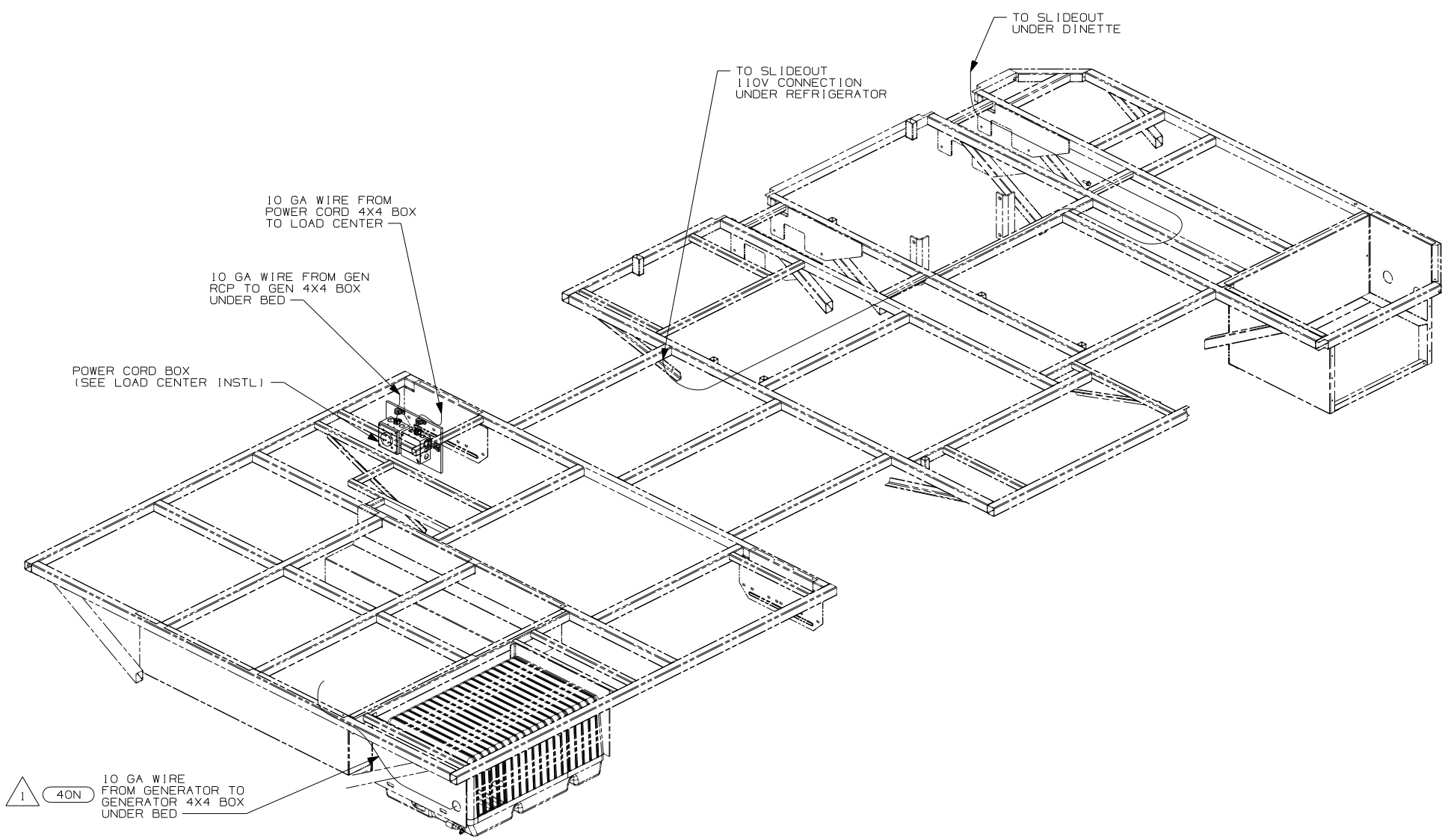


CAUTION

If you lack the skills, tools or equipment to perform diagnostic or repair work leave such work to an authorized Winnebago Industries dealer or other qualified shop.

DRAWING NO.	FEATURE
156848-01	-----
156848-11	(1B1) (12D)
156848-15	(265) (12D)

RELEASE	REV DATE	DWG NO
A		156848
REV ZONE	REVISION RECORD	DATE DFR-0R16



- (40N) GEN-4.0KW-ONANGAS-MICROQUJET
- (12D) ELECTRICAL SYSTEM 30 AMP
- (265) CODES/STANDARDS-CSA/CMVSS
- (1B1) CODES/STANDARDS USA

1 (40N) 10 GA WIRE FROM GENERATOR TO GENERATOR 4X4 BOX UNDER BED

WINNEBAGO COPYRIGHT 2006 WINNEBAGO INDUSTRIES, INC.

DFTR	ORIG. DATE
CHKR	ALL DIMENSIONS ARE IN MILLIMETERS
P.E.	
M.E.	FIRST USED
DSNR	07 726A

UNSPECIFIED TOLERANCES ARE: MATERIAL:

WHOLE DIM (X)	:	
ONE-PLACE (X.X)	:	
TWO-PLACE (X.XX)	:	
ANGLE	:	

THIRD ANGLE PROJECTION

DO NOT SCALE DRAWING

TITLE: WIRING INSTL-BODY, 110V

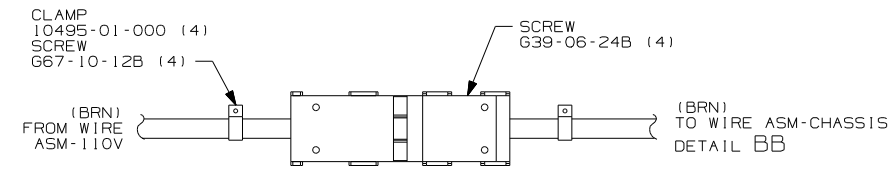
SHEET 1 OF 3 PART NO 156848 REV

REF: 1 6/27/2006

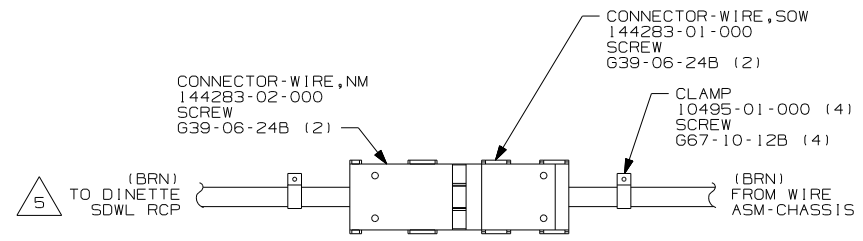
NOTES: 1 SEE GENERATOR INSTALLATION FOR ADDITIONAL INFORMATION.

FOR ELECTRICAL TORQUE SPECIFICATIONS SEE DWG NO. 128783-01-000

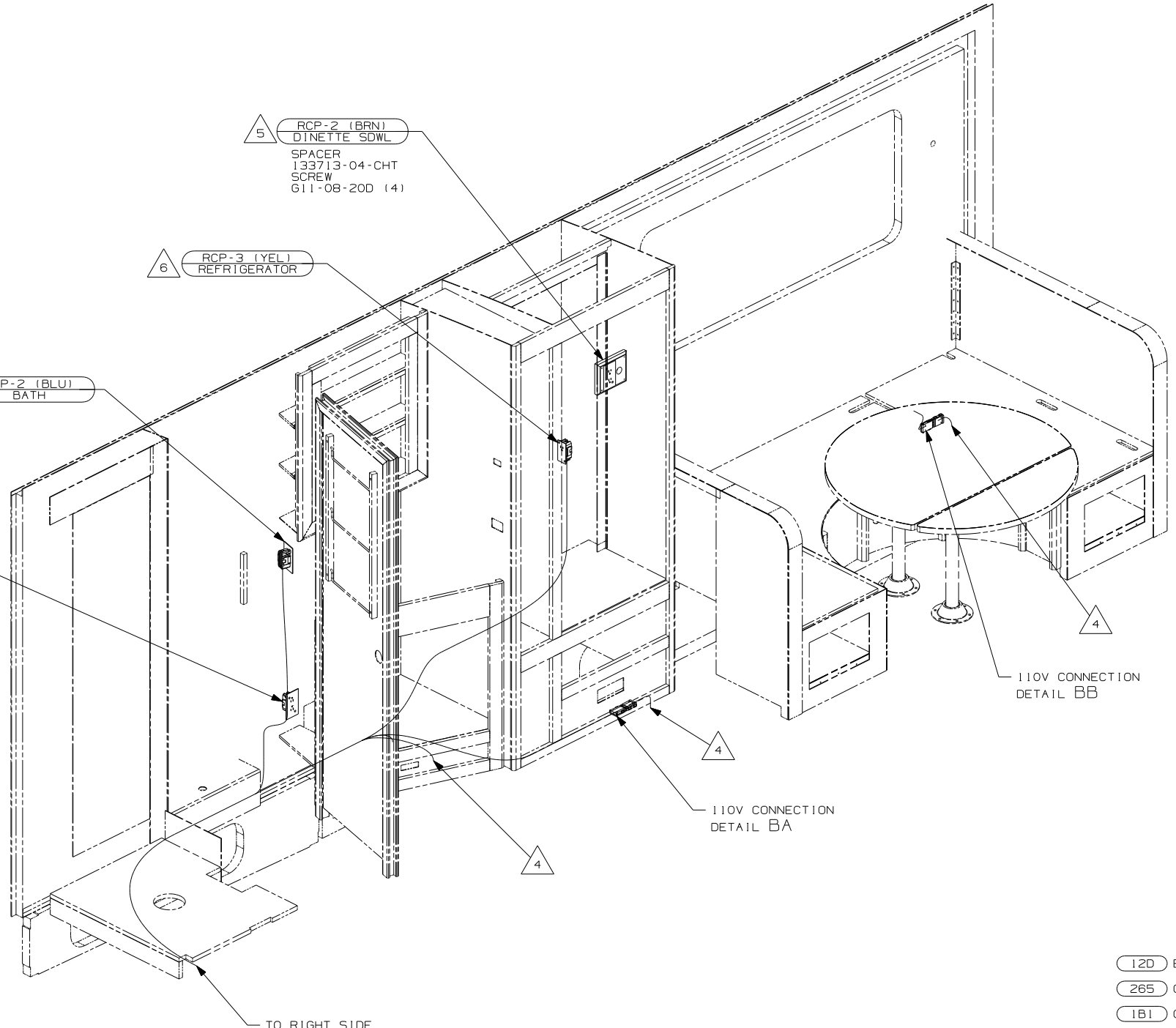
(X-X) FOR ELECTRICAL CALLOUTS SEE DWG NO. 121339-01-000



DETAIL BA



DETAIL BB



- 7 SEE LOAD CENTER/ATS ASM FOR ADDITIONAL INFORMATION.
 - 6 LOCATE REFRIGERATOR RCP ON TIEDOWN BRACKET.
 - 5 WIRE ROUTED IN SIDEWALL.
 - 4 WIRE ROUTED THRU FLOOR AT THIS POINT.
3. ALL GROUND WIRE TO BE COVERED WITH TUBING 8041-02-000.
 2. ALL 110V WIRE TO BE CLAMPED WITH CLAMP 10497-05-000 WITHIN 200 OF OUTLET BOXES, USE SCREW G67-10-12B.
 1. ALL WIRES TO BE SECURED WITH CLAMP 10495-01-000 OR CLIP 80734-01-000 EVERY 600MM. USE SCREW G67-10-12B UNLESS OTHERWISE SPECIFIED.

NOTES:

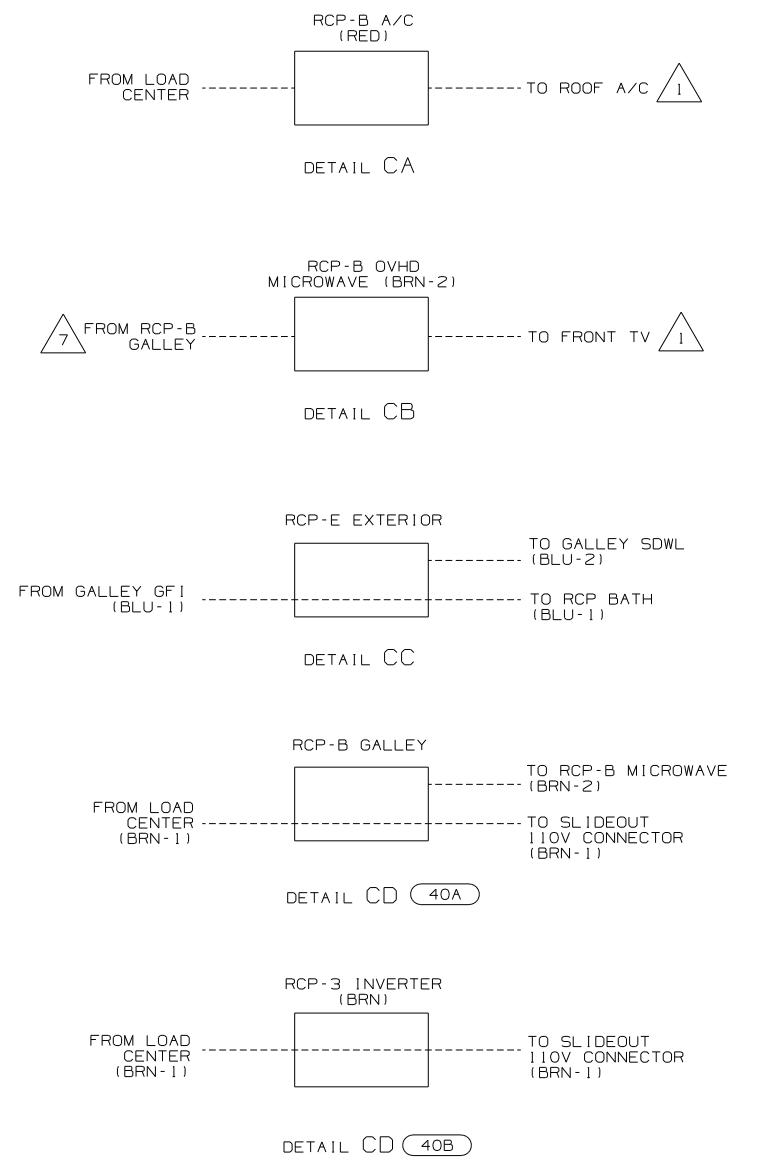
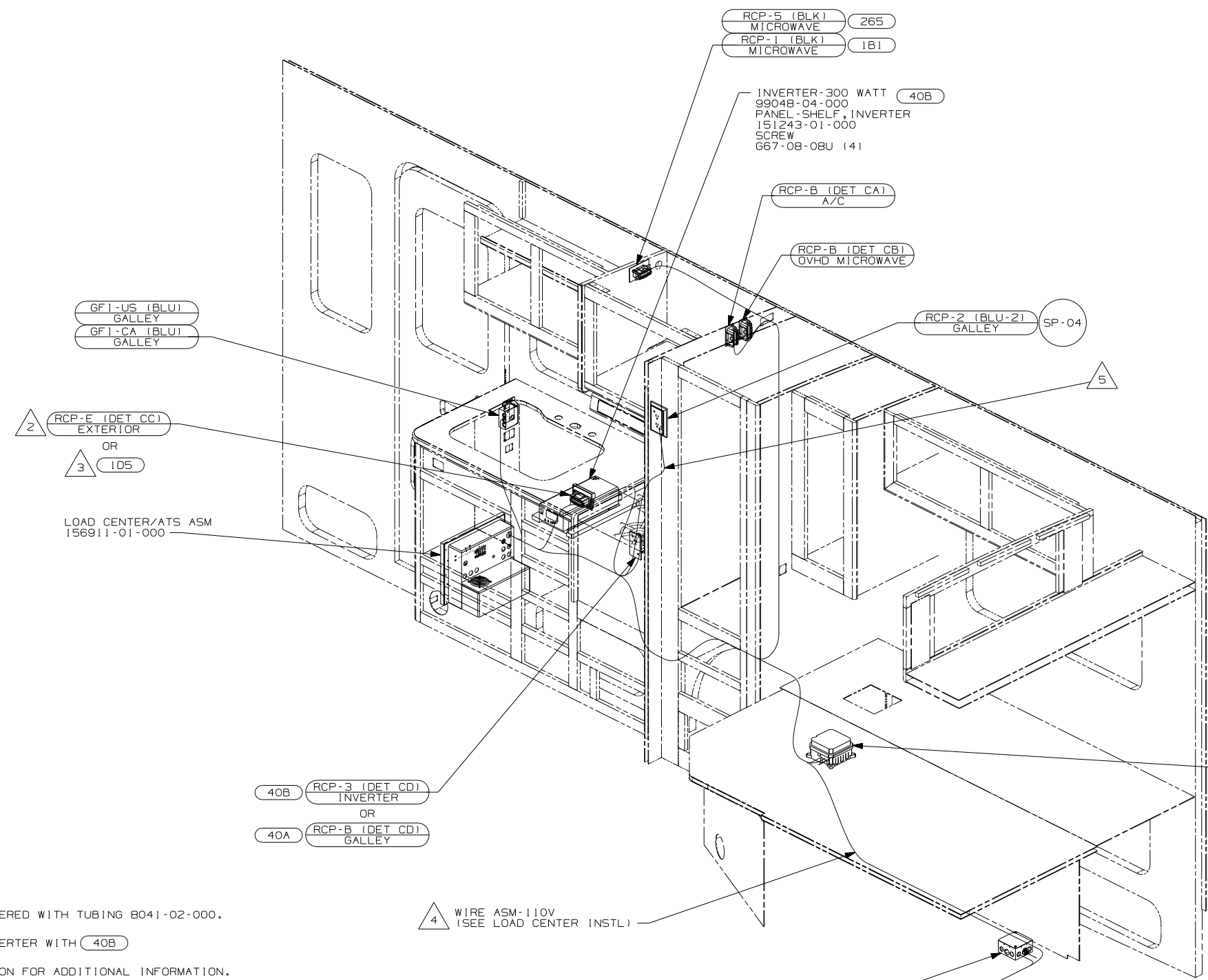
- 12D ELECTRICAL SYSTEM 30 AMP
- 265 CODES/STANDARDS-CSA/CMVSS
- 1B1 CODES/STANDARDS USA

1B1 265 12D

FIRST USED	07 726A
TITLE	DO NOT SCALE DRAWING
	WIRING INSTL-BODY, 110V
SHEET 2	PART NO 156848 REV

FOR ELECTRICAL TORQUE SPECIFICATIONS SEE DWG NO. 128783-01-000

FOR ELECTRICAL CALLOUTS SEE DWG NO. 121339-01-000



- NOTES:
- 8 ALL GROUND WIRE TO BE COVERED WITH TUBING 8041-02-000.
 - 7 THIS WIRE CONNECTS TO INVERTER WITH (40B)
 - 6 SEE GENERATOR INSTALLATION FOR ADDITIONAL INFORMATION.
 - 5 ROUTE WIRE THRU SIDEWALL.
 - 4 SEE LOAD CENTER INSTL FOR ADDITIONAL INFORMATION.
 - 3 SEE ENTERTAINMENT CENTER COMPL FOR ADDITIONAL INFORMATION.
 - 2 NOT USED WITH (1D5)
 - 1 WIRE ROUTED IN ROOF.

4 WIRE ASM-110V (SEE LOAD CENTER INSTL)

6 (40N) J-GEN 30

WIRE ASM-110V TO LEFT SIDE

FOR ELECTRICAL TORQUE SPECIFICATIONS SEE DWG NO. 128783-01-000

FOR ELECTRICAL CALLOUTS SEE DWG NO. 121339-01-000

- (53B) WTR HTR-6GAL ELECTRIC/LP GAS
- (40N) GEN-4.0KW-ONANGAS-MICROQUIET
- (40B) INVERTER-DC/AC, 300 WATT
- (40A) INVERTER-DC/AC WITHOUT
- (1D5) ENTERTAINMENT CENTR/EXT W/CD
- (12D) ELECTRICAL SYSTEM 30 AMP
- (265) CODES/STANDARDS-CSA/CMVSS
- (1B1) CODES/STANDARDS USA

FIRST USED	
07 726A	
DO NOT SCALE DRAWING	
TITLE: WIRING INSTL-BODY, 110V	
SHEET 3	PART NO 156848 REV