

FRONT
OF
COACH

- (B1) CODES/STANDARDS-USA
- (265) CODES/STDS-CMVSS,CSA
- (16E) FORD 14,050 LB GVWR
- (1PY) CHEVY 14,050 LB GVWR

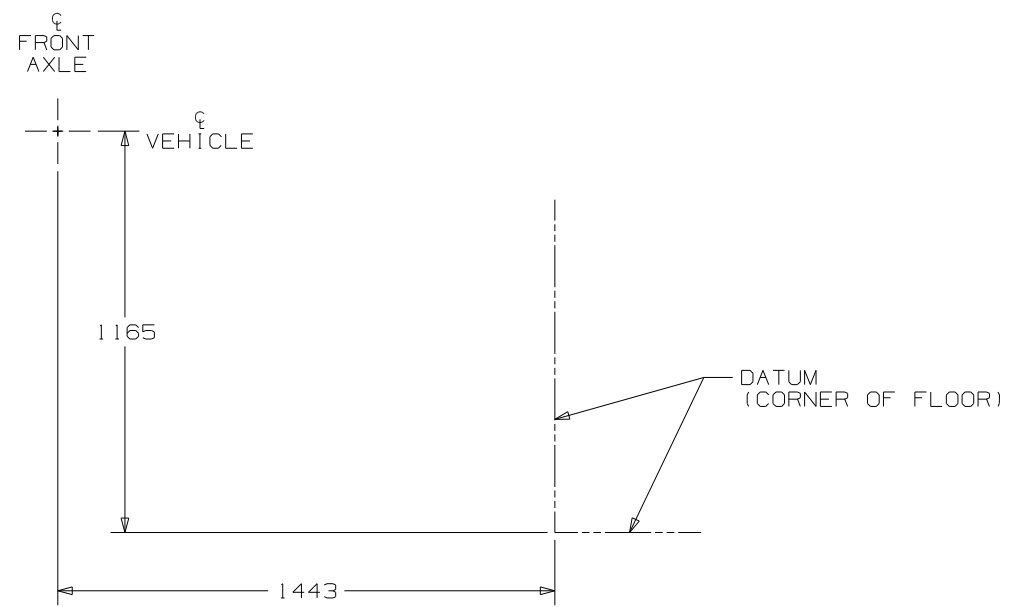
6 VENT PIPE MUST PROJECT 51 MIN AND 64 MAX ABOVE ROOF FOR PROPER FIT AND FUNCTION.

5. SEAL AROUND SHOWER WITH SILICONE.
4. ALL EXTERIOR OPENINGS AROUND PIPE TO BE SEALED WITH 131264-03-000.
3. ALL PIPE AND FITTINGS TO BE ASSEMBLED WITH SOLVENT 4020-01-000 (US), 4020-02-000 (CAN).
2. SLOPE OF TRAP ARM MUST BE 6 PER 305 mm.
1. SLOPE OF HORIZONTAL PIPING TO BE MIN 3 PER 305 mm.

NOTES:

WINNEBAGO		COPYRIGHT 2007 WINNEBAGO INDUSTRIES, INC.	
DFT	ORIG. DATE	ALL DIMENSIONS ARE IN MILLIMETERS	
CHKR		FIRST USED	
P.E.		07 726A	
M.E.		UNSPECIFIED TOLERANCES ARE:	
DSNR		MATERIAL:	
		WHOLE DIM (X)	: 3
		ONE-PLACE (X.X)	: 1.5
		TWO-PLACE (X.XX)	: 0.50
		ANGLE	: 1°
THIRD ANGLE PROJECTION		DO NOT SCALE DRAWING	
TITLE: DRAINAGE SYSTEM INSTL			
SHEET 1 OF 3	PART NO	156509	REV

(X-X)
FOR
DRAINAGE
CALLOUTS
SEE DWG NO
116229-01-000



VIEW D

(16E) TANK ASM-HOLDING
156465-03-000
(1PY) 157088-02-000

BRACKET-TIE DOWN, WATER TANK
112628-08-CHT
SCREW
G39-08-08U (2)

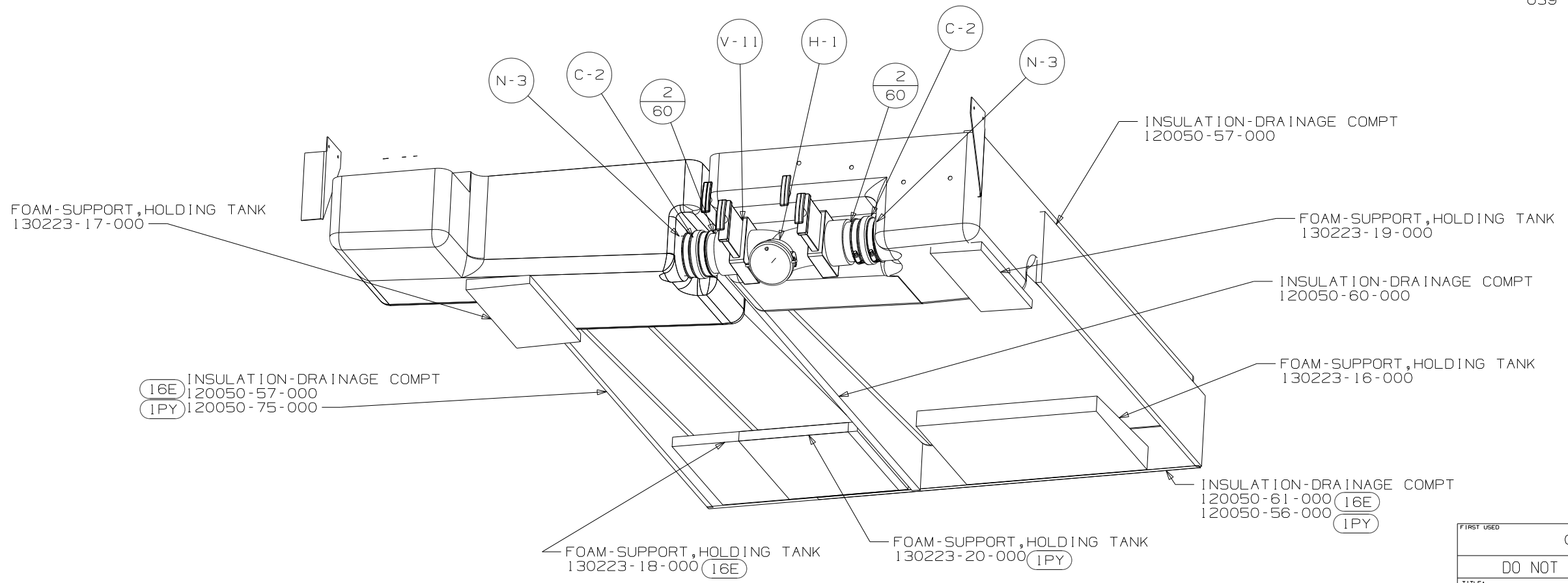
TANK-HOLDING
149287-02-000

4160

4991

207

BRACKET-TIE DOWN
112628-07-CHT
SCREW
G39-08-08U (2)

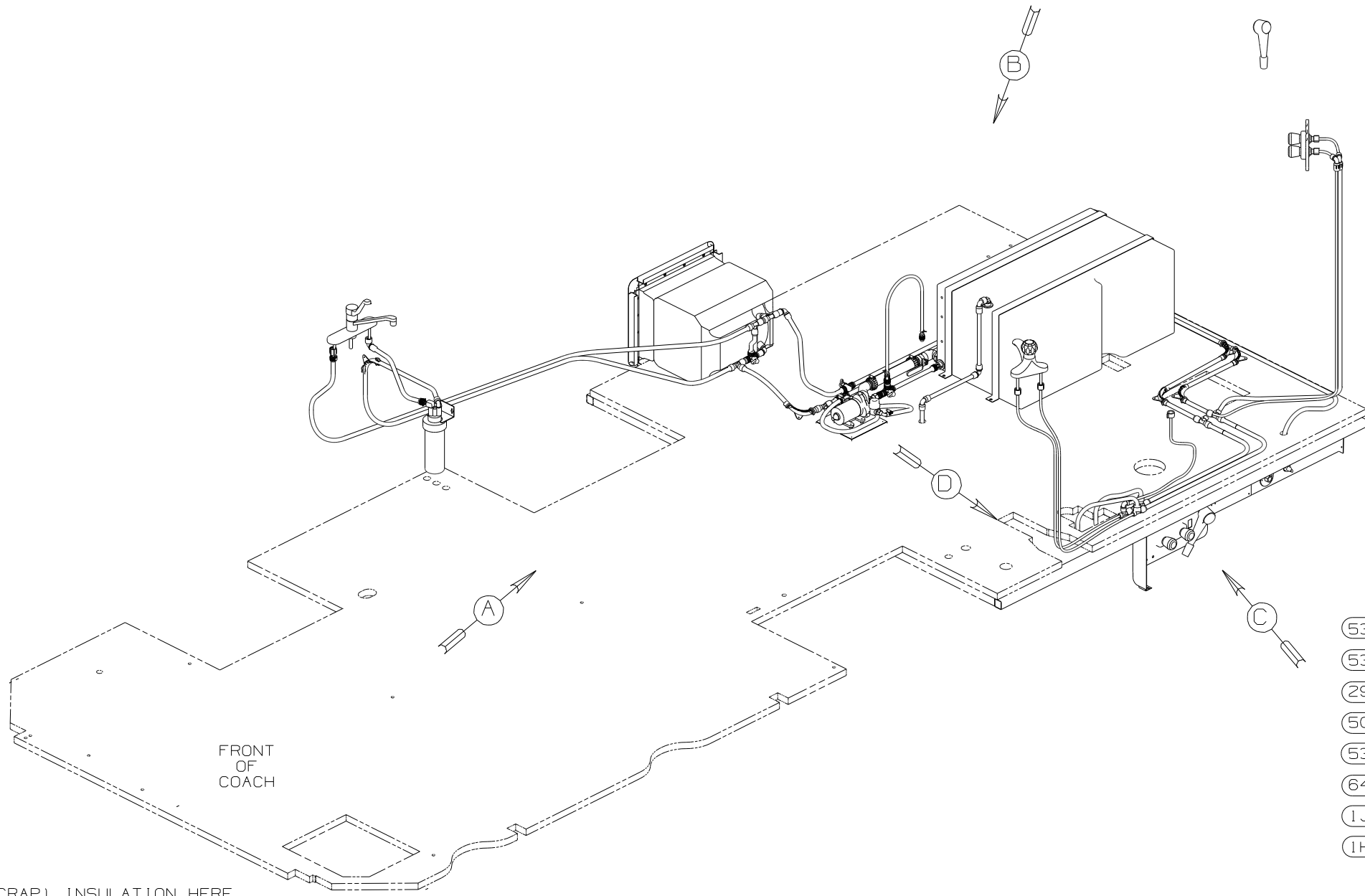


VIEW E

FIRST USED	07 726A	
TITLE	DO NOT SCALE DRAWING	
	DRAINAGE SYSTEM INSTL	
SHEET 3	PART NO	156509
	REV	

8 7 6 5 4 3 2

RELEASE	REV DATE	DWG NO
A		156553
REV ZONE	REVISION RECORD	DATE DFR-ORIG



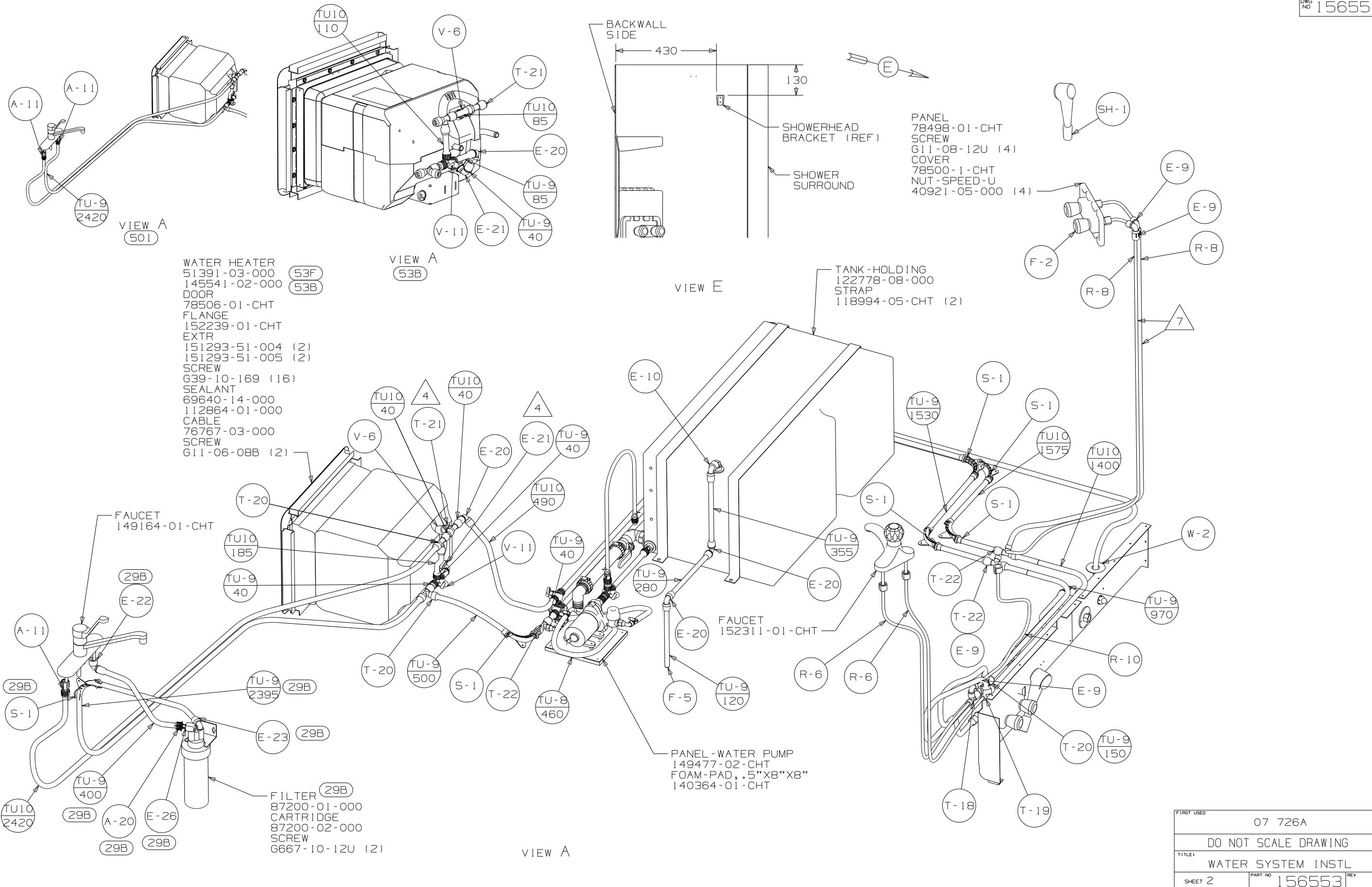
- (53F) WATER HEATER-ELEC. IGNITION
- (53B) WTR HTR-6GAL ELECTRIC/LP GAS
- (29B) WATER PURIFIER
- (501) WATER PURIFIER-WITHOUT
- (53E) WATER SYS WINTERIZATION PKG
- (64R) EXTERIOR WASH STATION
- (1J4) EXT WASH STATION-WITHOUT
- (1H6) AIR SPRINGS-WITHOUT

- NOTES:
7. ADD PIPE WRAP (LADDER SCRAP) INSULATION HERE
 6. ADD TEFLON TAPE 10405-03-000.
 5. ADD TEFLON TAPE 10405-02-000.
 4. ADD TEFLON TAPE 10405-01-000.
 3. ALL TUBING TO BE SECURED AT 1200 INTERVALS MAXIMUM WITH CLAMP 10495-01-000 OR CLIP 9151-01-000 AND SCREW G67-10-12B.
 2. TUBING TO BE INSTALLED WITH SUFFICIENT SLOPE TO PROVIDE DRAINAGE TO NEAREST VALVE.
 1. PLASTIC FITTINGS TO BE SEALED WITH SEALANT 84456-01-000.

WINNEBAGO		COPYRIGHT 2007 WINNEBAGO INDUSTRIES, INC.	
DFTR	ORIG. DATE	ALL DIMENSIONS ARE IN MILLIMETERS	
CHKR		FIRST USED	
P.E.		07 726A	
M.E.		UNSPECIFIED TOLERANCES ARE:	
DSNR		MATERIAL:	
		WHOLE DIM (X)	: 3
		ONE-PLACE (X.X)	: 1.5
		TWO-PLACE (X.XX)	: 0.50
		ANGLE	: 1°
THIRD ANGLE PROJECTION		DO NOT SCALE DRAWING	
TITLE: WATER SYSTEM INSTL			
SHEET 1 OF 3	PART NO	156553	REV
REF	1 1/12/2007		

(X-X)
FOR
WATER
CALLOUTS
SEE DWG NO
116230-01-000

8 7 6 5 4 3 2



- WATER HEATER
- 51391-03-000 (53F)
- 145541-02-000 (53B)
- DOOR
- 78506-01-CHT
- FLANGE
- 152239-01-CHT
- EXTR
- 151293-51-004 (2)
- 151293-51-005 (2)
- SCREW
- 639-10-169 (16)
- SEALANT
- 69640-14-000
- 112864-01-000
- CABLE
- 76767-03-000
- SCREW
- 611-06-08B (2)

- PANEL
- 78498-01-CHT
- SCREW
- 611-08-12U (4)
- COVER
- 78500-1-CHT
- NUT - SPEED-U
- 40921-05-000 (4)

- TANK - HOLDING
- 122778-08-000
- STRAP
- 118994-05-CHT (2)

- FAUCET
- 149164-01-CHT
- FAUCET
- 152311-01-CHT
- PANEL - WATER PUMP
- 149477-02-CHT
- FOAM - PAD, .5"X8"X8"
- 140364-01-CHT

- FILTER
- 87200-01-000
- CARTRIDGE
- 87200-02-000
- SCREW
- 6667-10-12U (2)

FIRST USED	07 726A
DO NOT SCALE DRAWING	
TITLE:	WATER SYSTEM INSTL
SHEET 2	PART NO 156553 REV
1 1/12/2007	

