

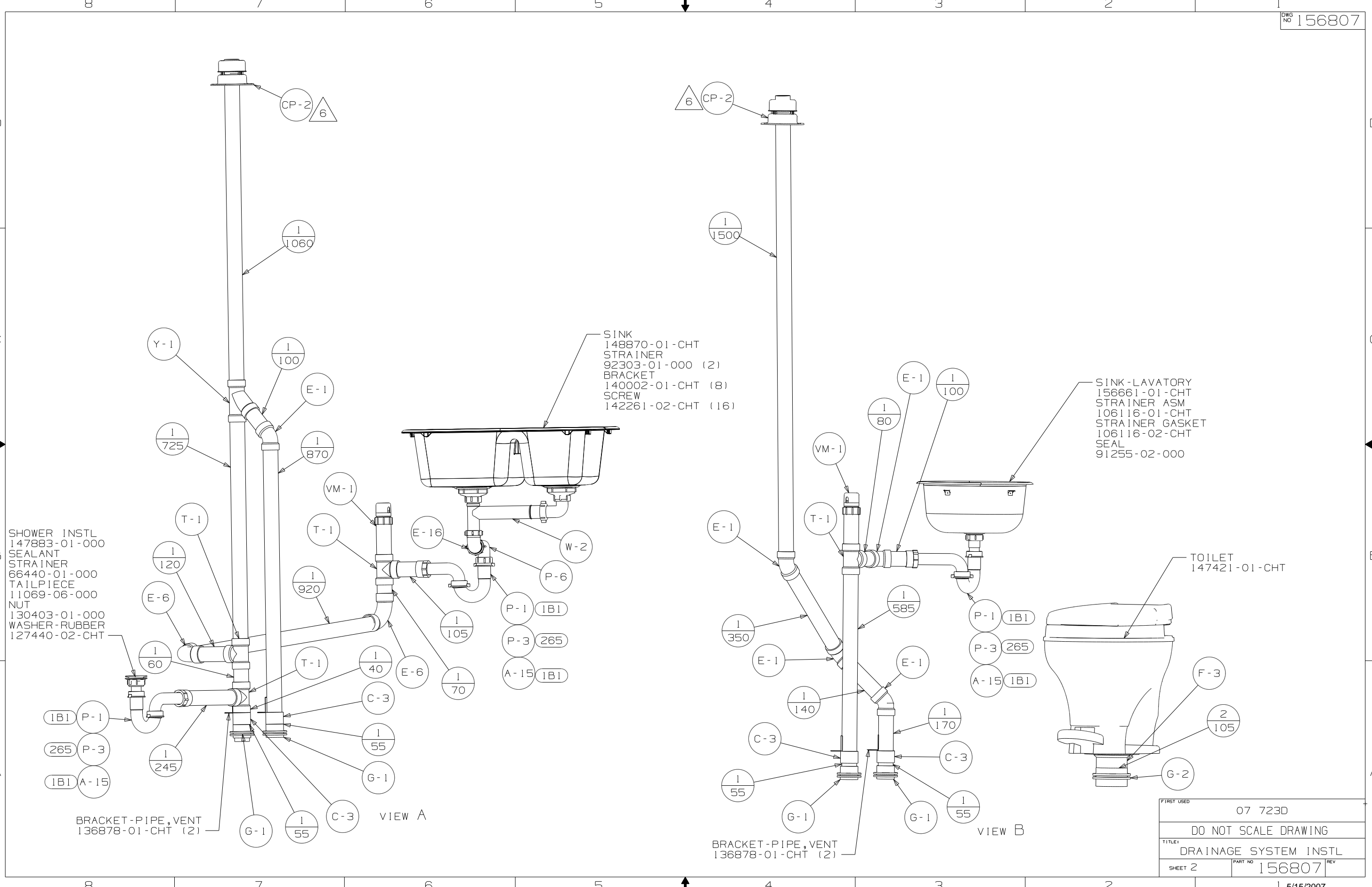
- (1B1) CODES/STANDARDS USA
- (265) CODES/STANDARDS-CSA/CMVSS
- (1PY) CHEVY CHASSIS 14,050 LB GVWR
- (16C) FORD CHASSIS 11,500 LB GVWR
- (16E) FORD CHASSIS 14,050 LB GVWR
- (23T) DRAINAGE SYSTEM-HEATED

- 6 VENT PIPE MUST PROJECT 51 MIN AND 64 MAX ABOVE ROOF FOR PROPER FIT AND FUNCTION.
5. SEAL AROUND SHOWER WITH SILICONE.
 4. ALL EXTERIOR OPENINGS AROUND PIPE TO BE SEALED WITH 131264-03-000.
 3. ALL PIPE AND FITTINGS TO BE ASSEMBLED WITH SOLVENT 4020-01-000.
 2. SLOPE OF TRAP ARM MUST BE 6 PER 305 mm.
 1. SLOPE OF HORIZONTAL PIPING TO BE MIN 3 PER 305 mm.

NOTES:

(X-X)
FOR DRAINAGE CALLOUTS SEE DWG NO 116229-01-000

WINNEBAGO		COPYRIGHT 2007 WINNEBAGO INDUSTRIES, INC.	
DFTR	ORIG. DATE	ALL DIMENSIONS ARE IN MILLIMETERS	
CHKR		FIRST USED	
P.E.		07 723D	
M.E.		UNSPECIFIED TOLERANCES ARE:	
DSNR		MATERIAL:	
		WHOLE DIM (X)	: 3
		ONE-PLACE (X.X)	: 1.5
		TWO-PLACE (X.XX)	: 0.50
		ANGLE	: 1°
THIRD ANGLE PROJECTION		DO NOT SCALE DRAWING	
TITLE: DRAINAGE SYSTEM INSTL			
SHEET 1 OF 3	PART NO	REV	
	156807		
REF:	1 5/15/2007		



SHOWER INSTL
 147883-01-000
 SEALANT
 STRAINER
 66440-01-000
 TAILPIECE
 11069-06-000
 NUT
 130403-01-000
 WASHER-RUBBER
 127440-02-CHT

SINK
 148870-01-CHT
 STRAINER
 92303-01-000 (2)
 BRACKET
 140002-01-CHT (8)
 SCREW
 142261-02-CHT (16)

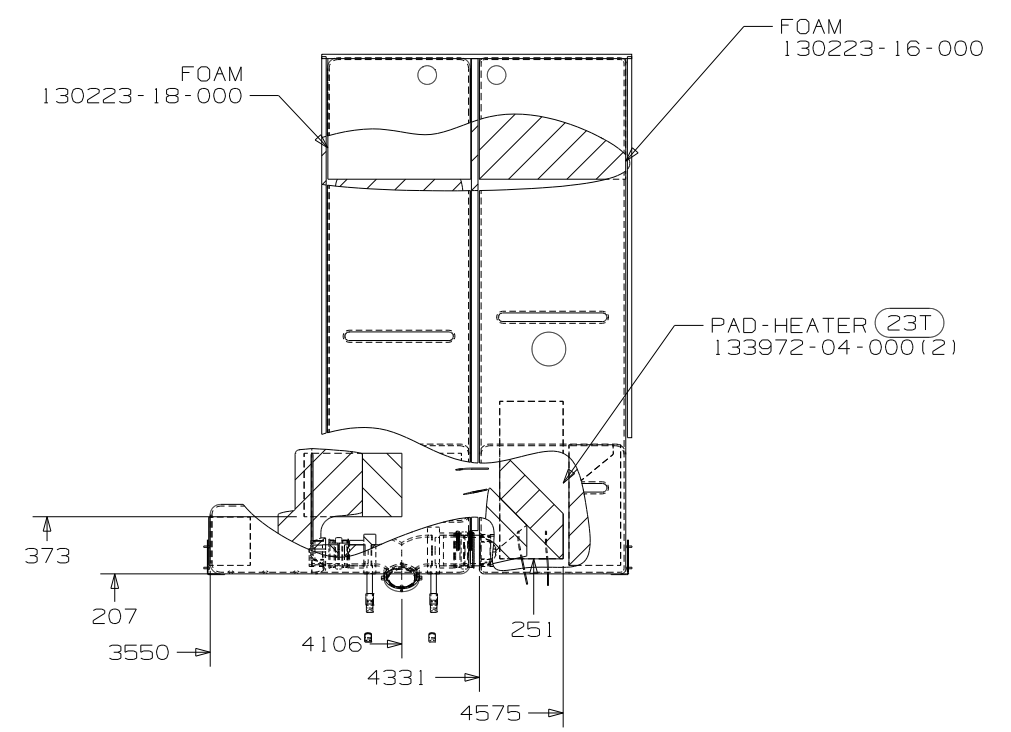
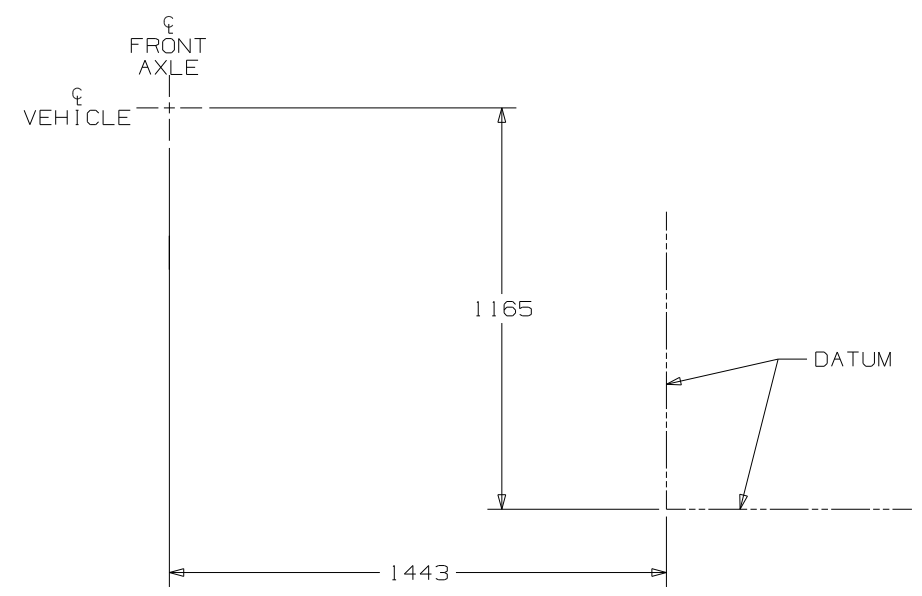
SINK-LAVATORY
 156661-01-CHT
 STRAINER ASM
 106116-01-CHT
 STRAINER GASKET
 106116-02-CHT
 SEAL
 91255-02-000

TOILET
 147421-01-CHT

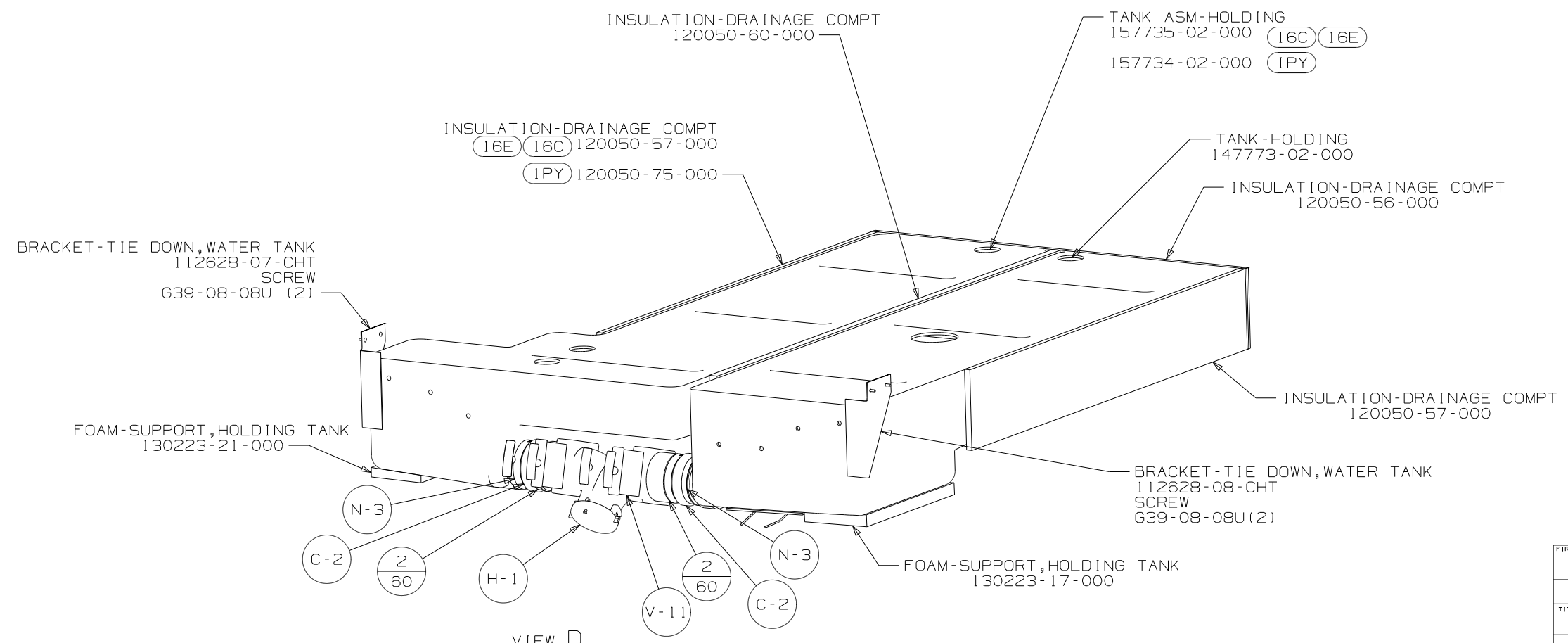
BRACKET-PIPE, VENT
 136878-01-CHT (2)

BRACKET-PIPE, VENT
 136878-01-CHT (2)

FIRST USED	07 723D
DO NOT SCALE DRAWING	
TITLE:	DRAINAGE SYSTEM INSTL
SHEET 2	PART NO 156807 REV
1 5/15/2007	

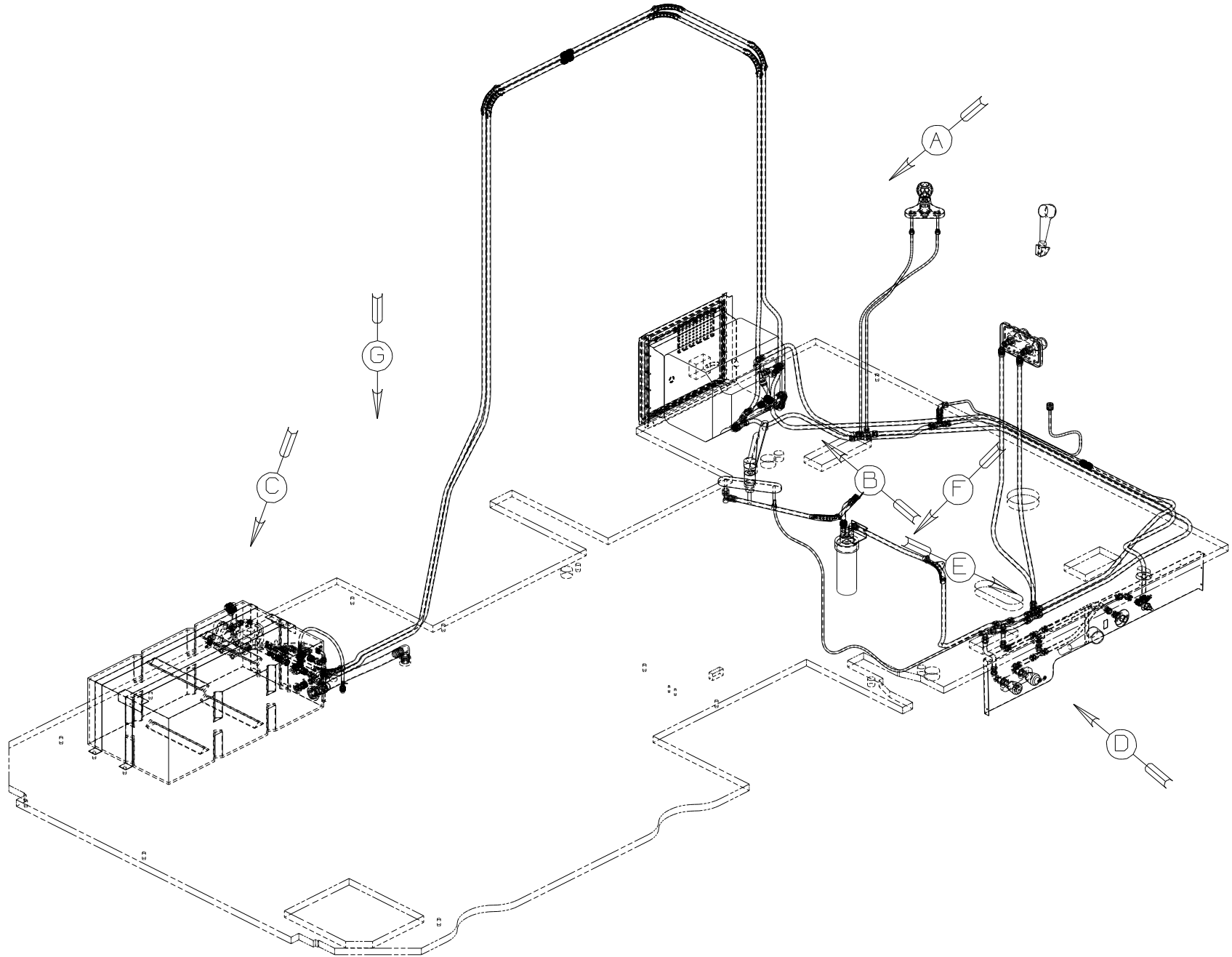


VIEW C



VIEW D

FIRST USED	07 723D
DO NOT SCALE DRAWING	
TITLE	DRAINAGE SYSTEM INSTL
SHEET 3	PART NO 156807 REV
1 5/15/2007	

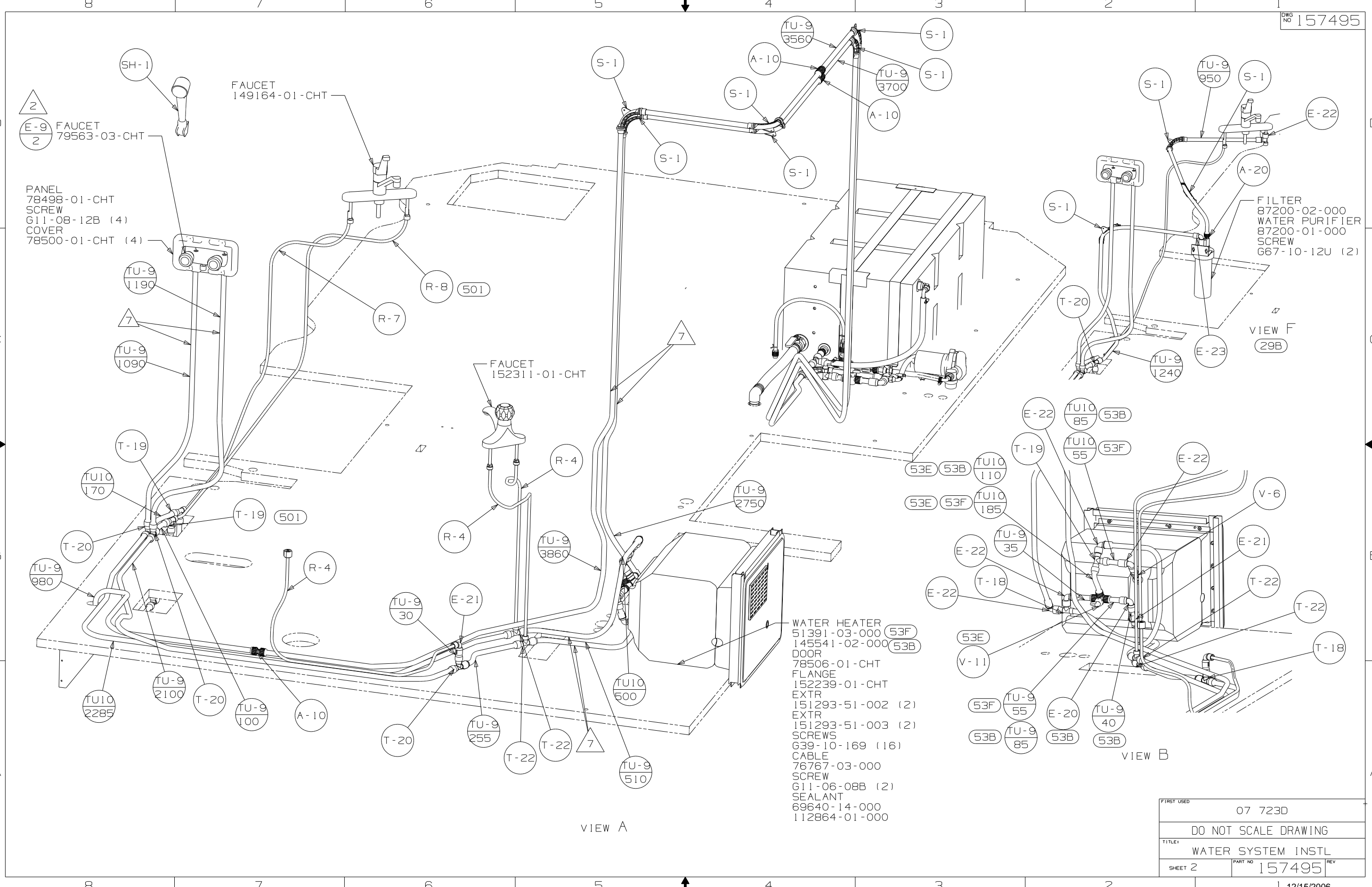


- (53B) WTR HTR-6GAL ELECTRIC/LP GAS
- (53F) WATER HEATER-ELEC. IGNITION
- (1H6) AIR SPRING-WITHOUT
- (29B) WATER PURIFIER
- (501) WATER PURIFIER W/O
- (53E) WINTERIZING PKG
- (53F) WATER HEATER-ELEC. IGN.
- (64R) EXT WASH STATION
- (1J4) EXT WASH STATION-WITHOUT

- NOTES:
- 7 ADD PIPE WRAP (LADDER SCRAP) INSULATION HERE.
 - 6 ADD TEFLON TAPE 10405-01-000.
 - 5 ADD TEFLON TAPE 10405-02-000.
 - 4 FLUSHING SYSTEM REQUIRES 125697-06-000 INSTRUCTION SHEET.
3. ALL TUBING TO BE SECURED AT 1200 INTERVALS MAXIMUM WITH CLAMP 10495-01-000 OR CLIP 9151-01-000 AND SCREW 667-10-12B.
2. TUBING TO BE INSTALLED WITH SUFFICIENT SLOPE TO PROVIDE DRAINAGE TO NEAREST VALVE.
1. PLASTIC FITTINGS TO BE SEALED WITH SEALANT 84456-01-000.

WINNEBAGO		COPYRIGHT 2006 WINNEBAGO INDUSTRIES, INC.	
DFTR	ORIG. DATE	ALL DIMENSIONS ARE IN MILLIMETERS	
CHKR		FIRST USED	
P.E.		07 723D	
M.E.		UNSPECIFIED TOLERANCES ARE:	
DSNR		MATERIAL:	
		WHOLE DIM (X)	: 3
		ONE-PLACE (X.X)	: 1.5
		TWO-PLACE (X.XX)	: 0.50
		ANGLE	: 1°
THIRD ANGLE PROJECTION		DO NOT SCALE DRAWING	
TITLE: WATER SYSTEM INSTL			
SHEET 1 OF 4	PART NO	157495	REV
REF:	12/15/2006		

(X-X)
FOR
WATER
CALLOUTS
SEE DWG NO
116230-01-000



2
E-9 FAUCET
79563-03-CHT

FAUCET
149164-01-CHT

PANEL
78498-01-CHT
SCREW
G11-08-12B (4)
COVER
78500-01-CHT (4)

FAUCET
152311-01-CHT

FILTER
87200-02-000
WATER PURIFIER
87200-01-000
SCREW
G67-10-12U (2)

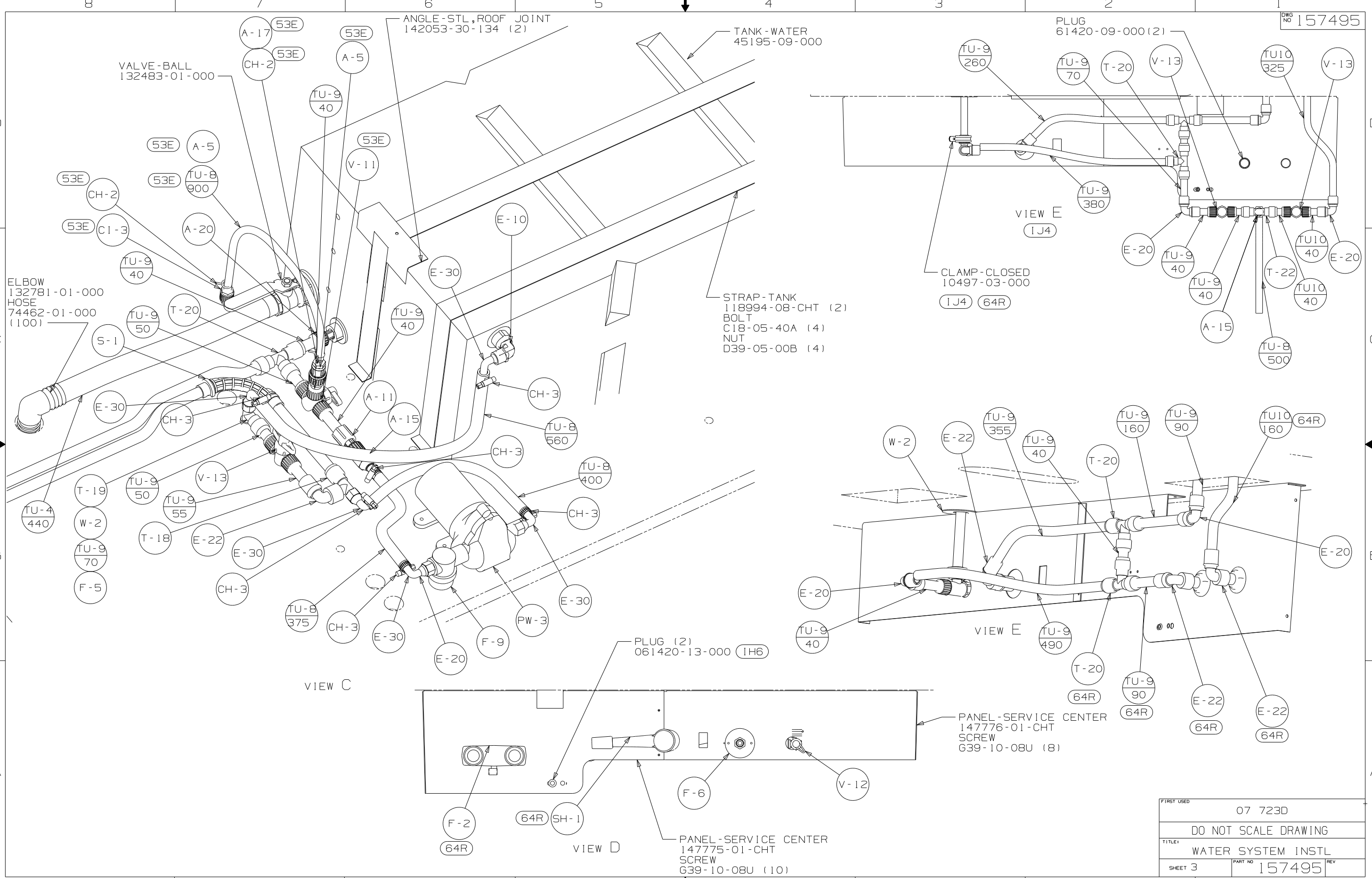
WATER HEATER
51391-03-000 (53F)
145541-02-000 (53B)
DOOR
78506-01-CHT
FLANGE
152239-01-CHT
EXTR
151293-51-002 (2)
EXTR
151293-51-003 (2)
SCREWS
G39-10-169 (16)
CABLE
76767-03-000
SCREW
G11-06-08B (2)
SEALANT
69640-14-000
112864-01-000

VIEW A

VIEW B

VIEW F
(29B)

FIRST USED	07 723D
TITLE	DO NOT SCALE DRAWING
TITLE	WATER SYSTEM INSTL
SHEET 2	PART NO 157495 REV



ANGLE-STL, ROOF JOINT
142053-30-134 (2)

TANK-WATER
45195-09-000

PLUG
61420-09-000 (2)

VALVE-BALL
132483-01-000

ELBOW
132781-01-000
HOSE
74462-01-000
(100)

STRAP-TANK
118994-08-CHT (2)
BOLT
C18-05-40A (4)
NUT
D39-05-00B (4)

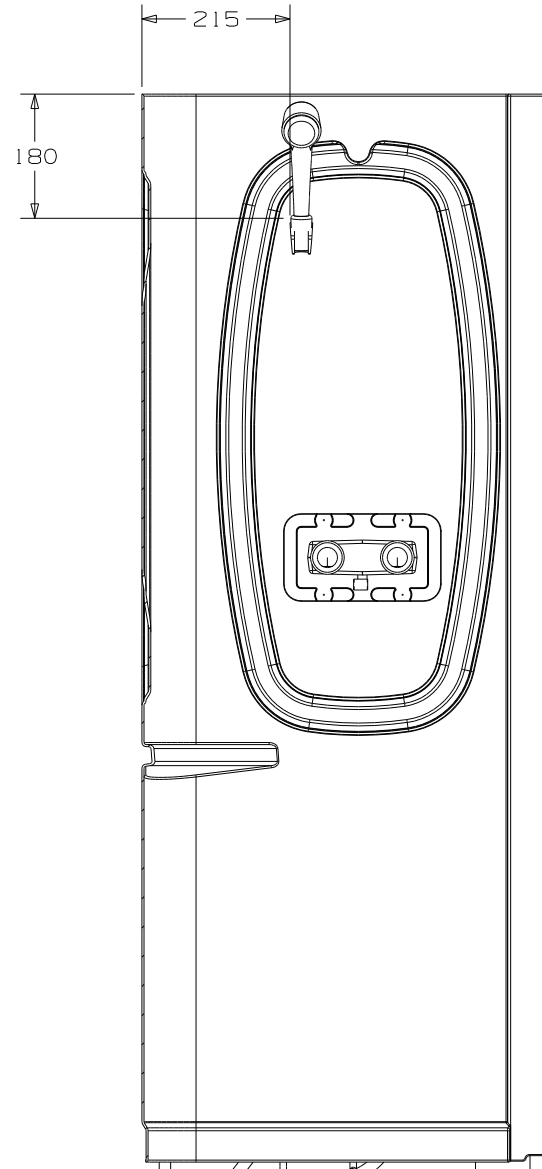
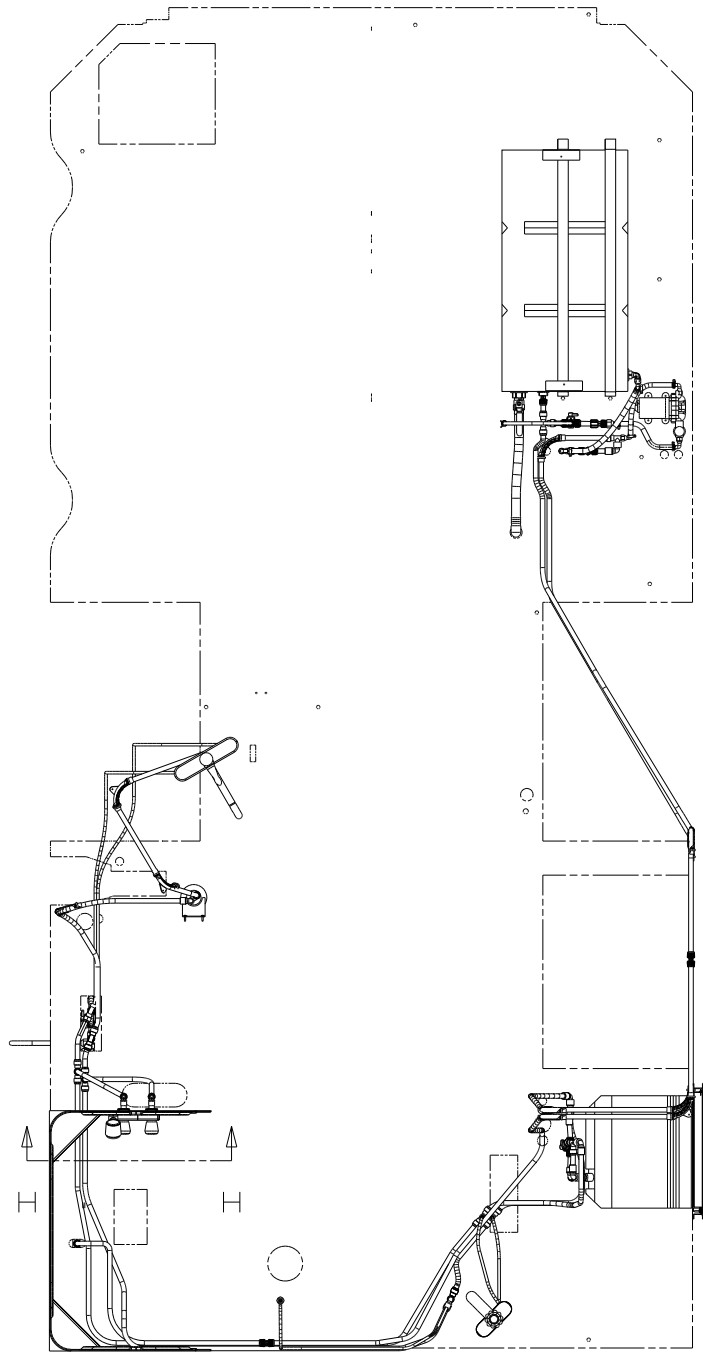
CLAMP-CLOSED
10497-03-000
(I J4) (64R)

PANEL-SERVICE CENTER
147776-01-CHT
SCREW
G39-10-08U (8)

PLUG (2)
061420-13-000 (IH6)

PANEL-SERVICE CENTER
147775-01-CHT
SCREW
G39-10-08U (10)

FIRST USED	07 723D	
TITLE:	DO NOT SCALE DRAWING	
TITLE:	WATER SYSTEM INSTL	
SHEET 3	PART NO	157495 REV
I 12/15/2006		



FIRST USED	07 723D
TITLE	DO NOT SCALE DRAWING
	WATER SYSTEM INSTL
SHEET 4	PART NO 157495 REV