



DANGER

Danger of electrical shock, burns or death. Always remove all power sources before attempting any repair, service or diagnostic work. Power can be present from shore power, generator, inverter or battery. All power sources must be disabled and secured before performing any service.



CAUTION

If you lack the skills, tools or equipment to perform diagnostic or repair work leave such work to an authorized Winnebago Industries dealer or other qualified shop.

8		7	6	5	4	3	2
		222B	224V	226A	228P	229T	231C
GROUND	8-G	136145-02-023	136145-02-016	136145-02-019	136145-02-022	136145-02-012	136145-02-022
WIRE ASM 110V US		159950-01-000	158847-01-000	155288-01-000	159004-01-000	157275-01-000	155854-01-000
WIRE ASM 110V CA		159950-02-000	158847-02-000	155288-02-000	159004-02-000	157275-02-000	155854-02-000
GENERATOR CABLE ASM	UL	X	8022-01-000 (4400)	8022-01-000 (5000)	8022-01-000 (7000)	X	X
	CA	X	24743-01-000 (4400)	24743-01-000 (5000)	24743-01-000 (7000)	X	X
CONDUIT		X	91234-01-000 (4000)	91234-01-000 (4500)	91234-01-000 (6500)	X	X
THROW-IN #1	UL	X	136131-02-012 (IMB)	X	136131-03-006 (6)	X	136131-03-012 (40B)
	CA	X	136134-02-012 (IMB)	X	136134-03-006 (6)	X	136134-03-012 (40B)
THROW-IN #2	UL	X	X	X	X	X	136131-04-015 (40B)
	CA	X	X	X	X	X	136134-04-015 (40B)
MAIN EXTENSION	UL	X	X	X	8022-01-000 (4500)	8022-01-000 (3400)	8022-01-000 (4000)
	CA	X	X	X	24743-01-000 (4500)	24743-01-000 (3400)	24743-01-000 (4000)
CONDUIT		X	X	X	91234-01-000 (4000)	91234-01-000 (3000)	91234-01-000 (3600)

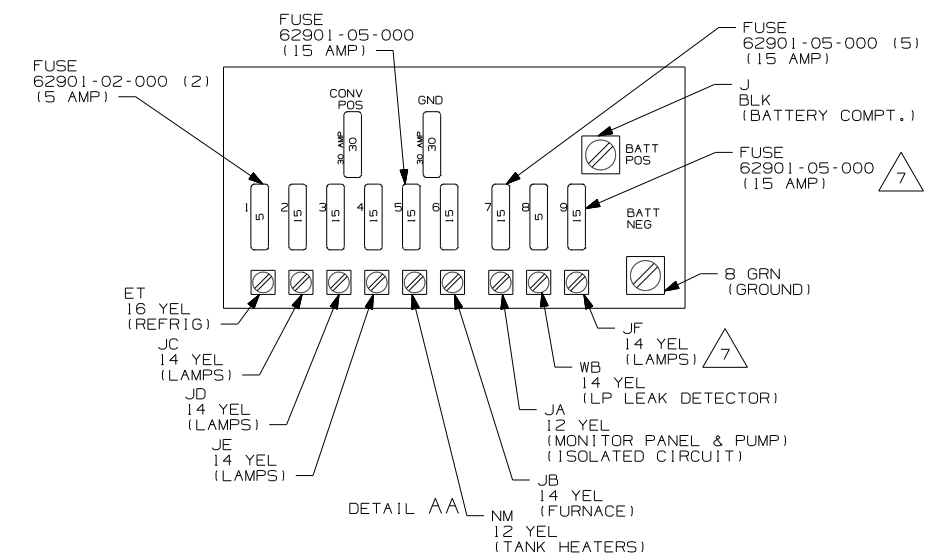
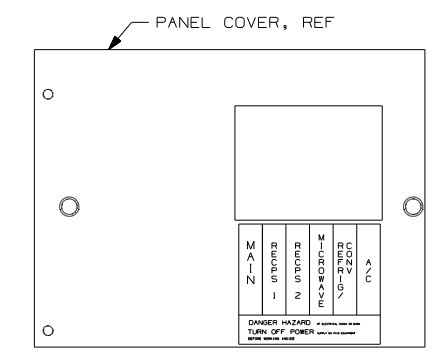
C		325F	327L	329B	331C	331H
GROUND	8-G	136145-02-020	136145-02-015	136145-02-015	136145-02-022	136145-02-015
WIRE ASM 110V US		159525-01-000	159970-01-000	157336-01-000	155922-01-000	158219-01-000
WIRE ASM 110V CA		159525-02-000	159970-02-000	157336-02-000	155922-02-000	158219-02-000
GENERATOR CABLE ASM	UL	136137-01-041	X	136137-01-025	X	X
	CA	136138-01-041	X	136138-01-025	X	X
THROW-IN #1	UL	136135-09-013 (53Z)	136135-09-030 (53Z)	136135-09-040 (53Z)	136135-09-020 (53Z)	136135-09-020 (53Z)
	CA	136136-09-013 (53Z)	136136-09-030 (53Z)	136136-09-040 (53Z)	136136-09-020 (53Z)	136136-09-020 (53Z)
THROW-IN #2	UL	X	136131-03-009 (6)	X	136131-01-006 (644)	136135-06-008
	CA	X	136134-03-009 (6)	X	136134-01-006 (644)	136136-06-008
THROW-IN #3	UL	X	X	X	X	136135-06-010 (53Z)
	CA	X	X	X	X	136136-06-010 (53Z)
SLIDEOUT WIRE #1	UL	X	136151-03-020 (8)	136151-03-017 (8)	X	X
	CA	X	X	X	8022-01-000 (2400)	8022-01-000 (2400)
MAIN EXTENSION	UL	X	X	X	24742-01-000 (2400)	24742-01-000 (2400)
	CA	X	X	X	91234-01-000 (2400)	91234-01-000 (2000)
CONDUIT		X	X	X		

A		723D	726A	729H
GROUND	8-G	136145-02-025	136145-02-014	136145-02-018
WIRE ASM 110V US		157666-01-000	156904-01-000	158229-01-000
WIRE ASM 110V CA		157666-02-000	156904-02-000	158229-02-000
GENERATOR CABLE ASM	UL	136137-01-035 (40N)	136137-01-038 (40N)	136137-01-039 (40N)
	CA	136138-01-035 (40N)	136138-01-038 (40N)	136138-01-039 (40N)
THROW IN #1	UL	136135-01-015 (53B)	136135-09-012 (53B)	136135-09-015 (53B)
	CA	136136-09-015 (53B)	136136-09-012 (53B)	136136-09-015 (53B)
SLIDEOUT WIRE #1		X	X	136151-03-020 (6)

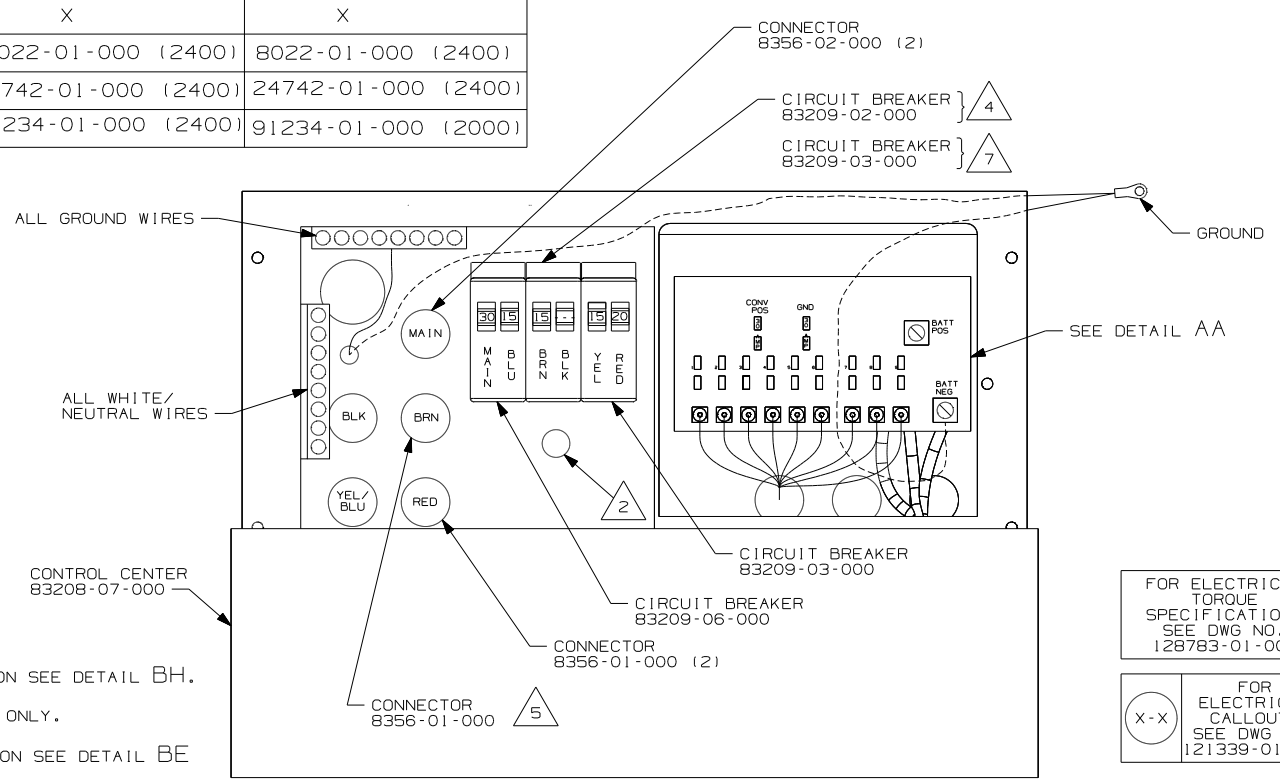
5 NOT USED WITH 222B
 4 USED ON 200 SERIES ONLY.
 3 SEE WIRING INSLT-BODY, 12V FOR ADDITIONAL INFORMATION.
 2 SECURE WIRES TO BACKSIDE OF LOAD CENTER WITH WIRE TIE 116673-01-000.
 1. ALL GROUND WIRES TO BE COVERED WITH TUBING 8041-02-000.
 NOTES:

8 FOR CONNECTOR INSTALLATION SEE DETAIL BH.
 7 USED ON 300 & 700 SERIES ONLY.
 6 FOR CONNECTOR INSTALLATION SEE DETAIL BE

40N
40N
40N

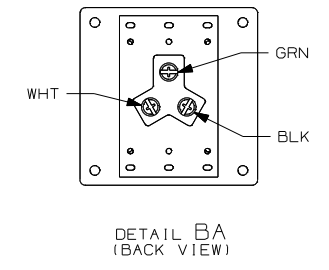
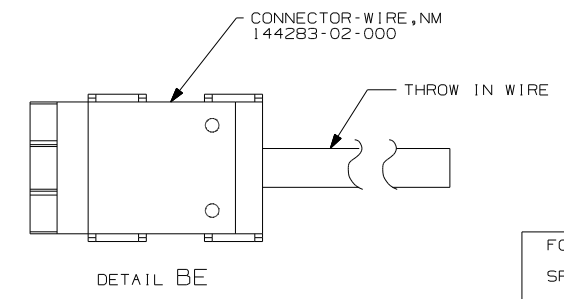
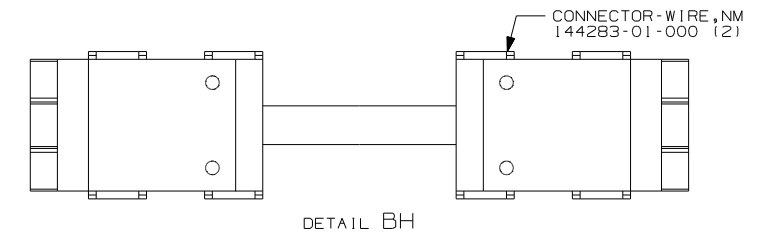
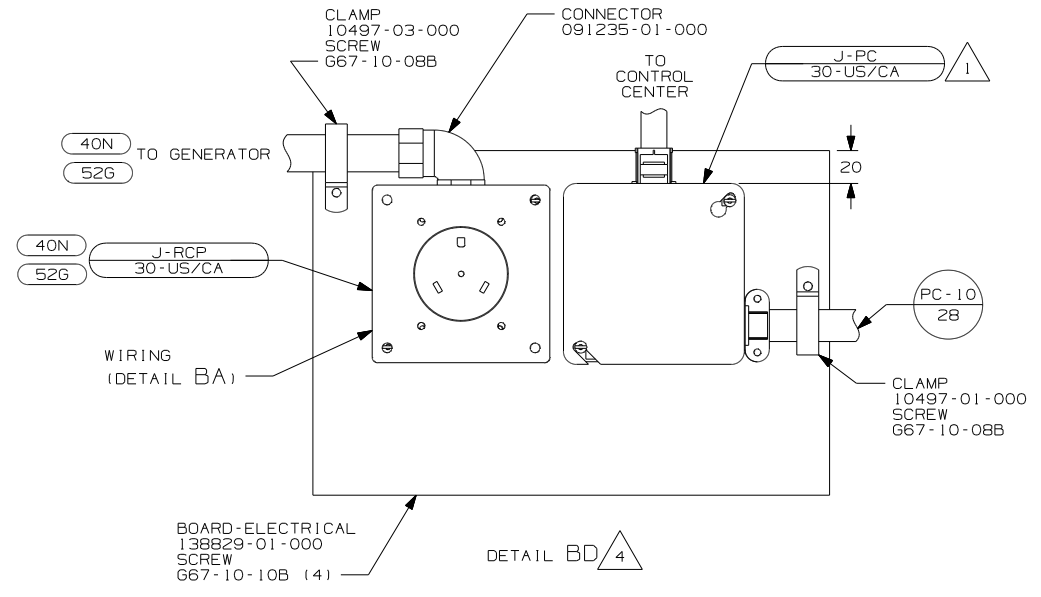
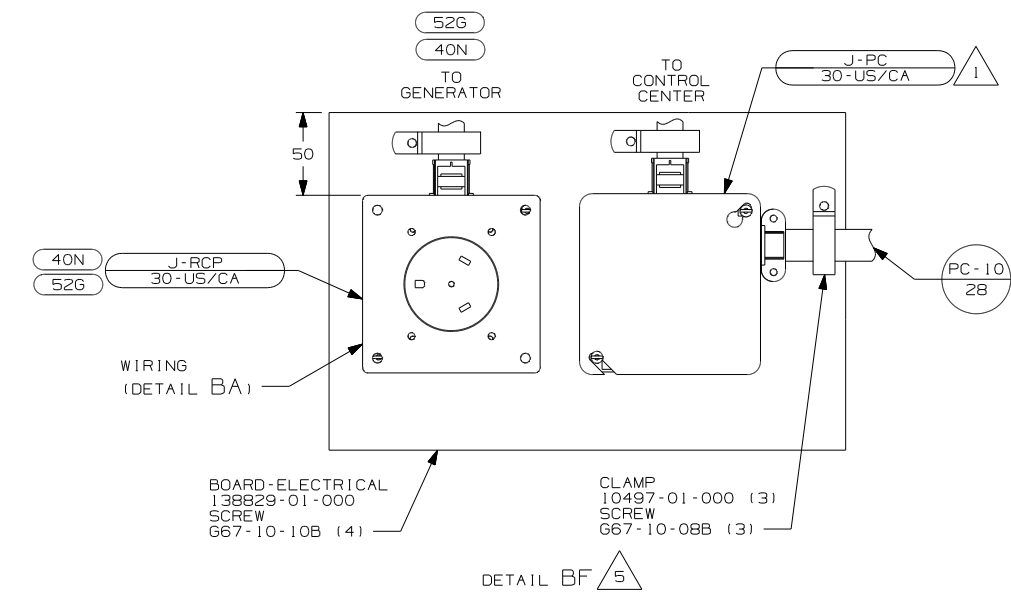
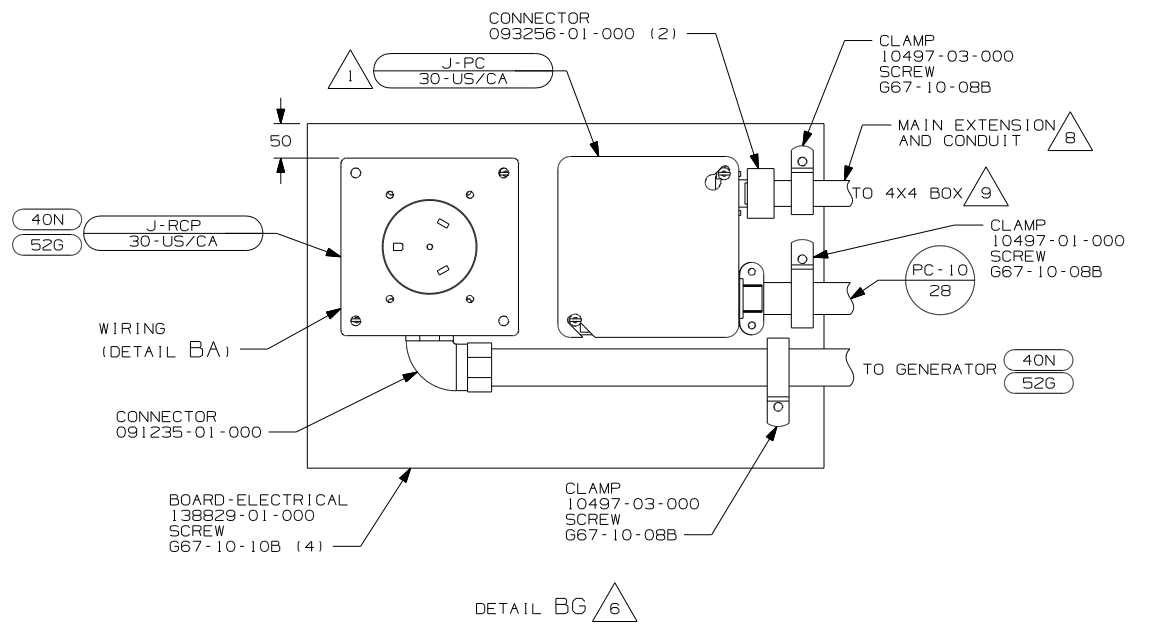
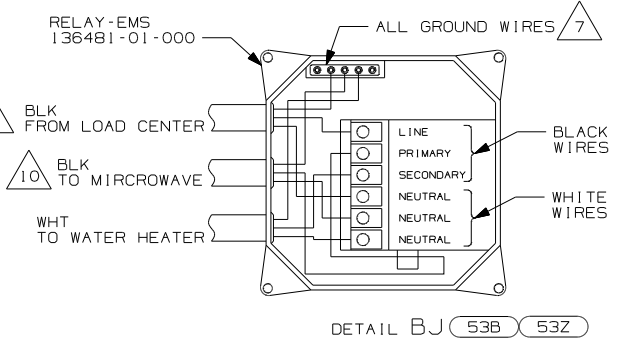
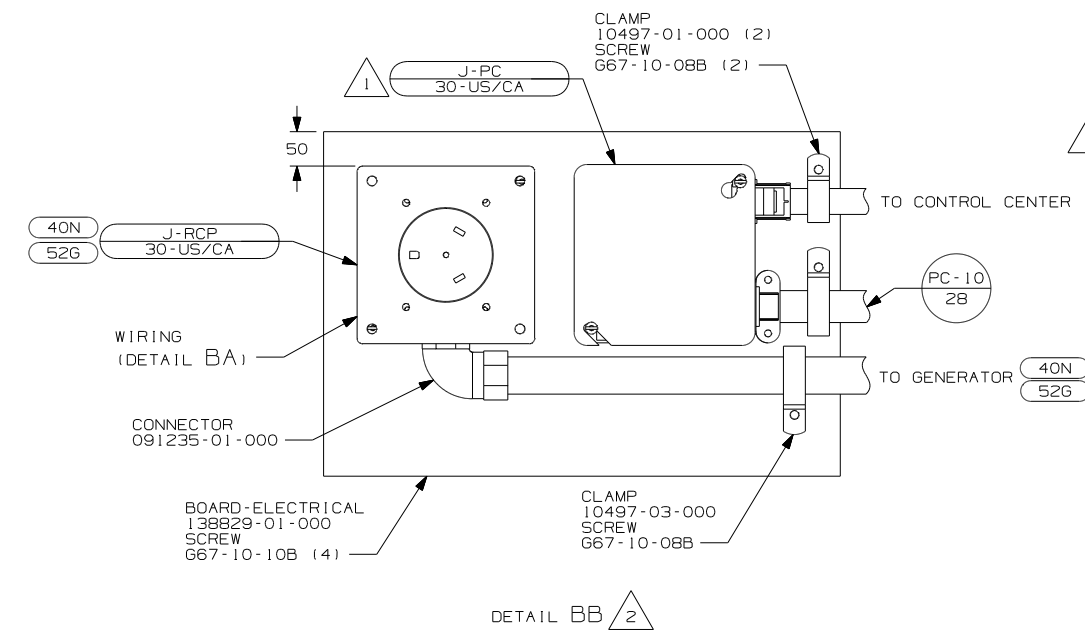


- (40B) INVERTER-DC/AC, 300 WATT
- (644) GREAT ALASKAN RENTAL PACKAGE
- (IMB) CUSTOM FLOORPLAN-OFFICE
- (53Z) WTR HTR-6GAL/110/LP/MTR/AUTO
- (53B) WTR HTR-6GAL ELECTRIC/LP GAS
- (23T) DRAINAGE SYSTEM-HEATED
- (40N) GEN-4.0KW-ONANAS-MICROQUIET
- (526) GEN-3.6KW ONAN LP MICROQUIET
- (265) CODES/STANDARDS-CSA/CMVSS
- (1B1) CODES/STANDARDS USA
- (1B1) (265)



FOR ELECTRICAL TORQUE SPECIFICATIONS SEE DWG NO. 128783-01-000
 FOR ELECTRICAL CALLOUTS SEE DWG NO. 121339-01-000

WINNEBAGO COPYRIGHT 2006 WINNEBAGO INDUSTRIES, INC.
 DFT: _____ ORIG. DATE _____
 CHK: _____ ALL DIMENSIONS ARE IN MILLIMETERS
 P.E.: _____
 M.E.: _____ FIRST USED _____
 DSNR: _____ 07 200/300/700
 UNSPECIFIED TOLERANCES ARE: MATERIAL:
 WHOLE DIM (X) : 3
 ONE-PLACE (X.X) : 1.5
 TWO-PLACE (X.XX) : 0.50
 ANGLE : 1°
 THIRD ANGLE PROJECTION
DO NOT SCALE DRAWING
 TITLE: LOAD CENTER/ATS ASM
 SHEET 1 OF 2 PART NO. 156911 REV _____
 REF: 1 5/15/2007



- NOTES:
- 7 ALL GROUND WIRES TO BE COVERED WITH TUBING 8041-02-000.
 - 6 USED WITH 231C, 229T, 331C, 331H, 228P.
 - 5 USED WITH 723D, 726A, 729H, 222B
 - 4 USED WITH 329B.
 - 3 DO NOT CONNECT TO EMS ON 331H ONLY.
 - 2 USED WITH 226A, 325F, 327L, 224V.
 - 1 CONNECT BLK TO BLK, WHT TO WHT, AND GRNDS TO GRNDS.
 - 10 THROW IN WIRE #3 ON 331H ONLY.
 - 9 SEE WIRING INSTL-BODY, 110V FOR ADDITIONAL INFORMATION.
 - 8 SEE SHT 1 FOR ADDITIONAL INFORMATION.

FOR ELECTRICAL TORQUE SPECIFICATIONS SEE DWG NO. 128783-01-000

FOR ELECTRICAL CALLOUTS SEE DWG NO. 121339-01-000

- 53Z WTR HTR-6GAL/110/LP/MTR/AUTO
- 53B WTR HTR-6GAL ELECTRIC/LP GAS
- 52G GEN-3.6KW ONAN LP MICROQUIET
- 40N GEN-4.0KW-ONAN-GAS-MICROLITE
- 265 CODES/STANDARDS-CSA/CMVSS
- 1B1 CODES/STANDARDS USA

FIRST USED	07 200/300/700
TITLE:	DO NOT SCALE DRAWING
	LOAD CENTER/ATS ASM
SHEET 2	PART NO 156911 REV