



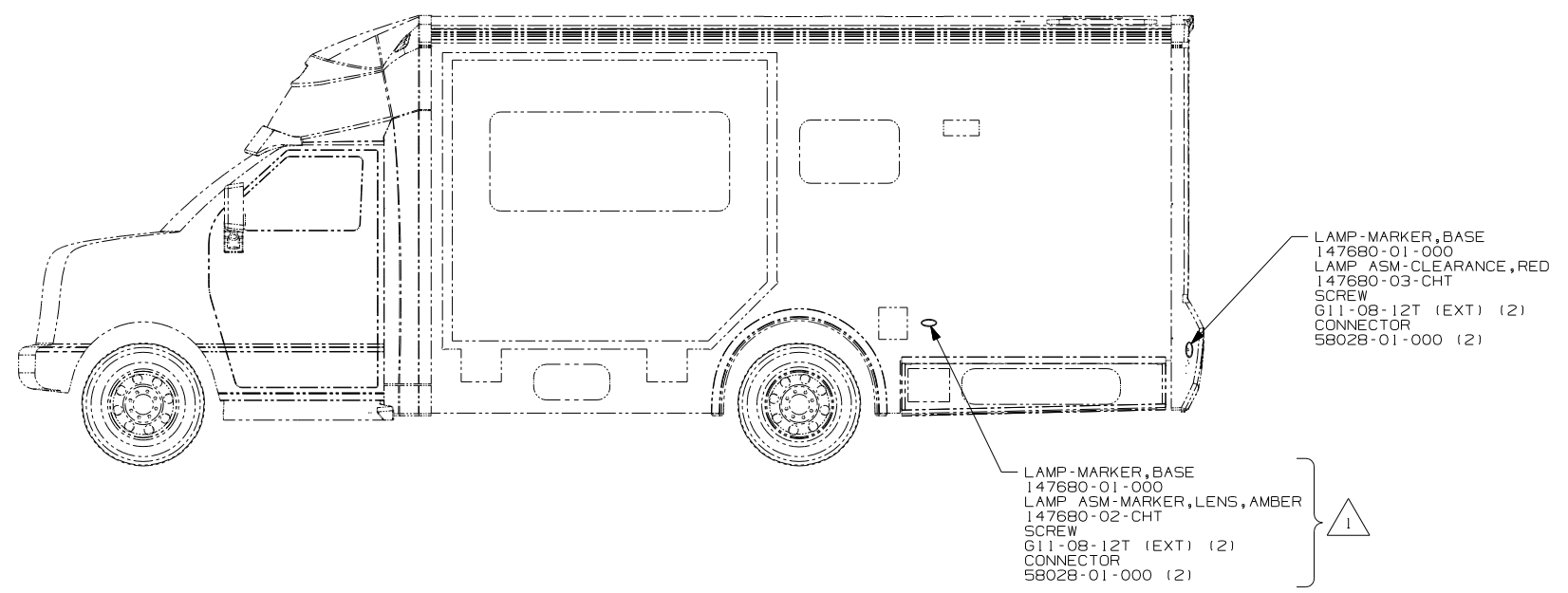
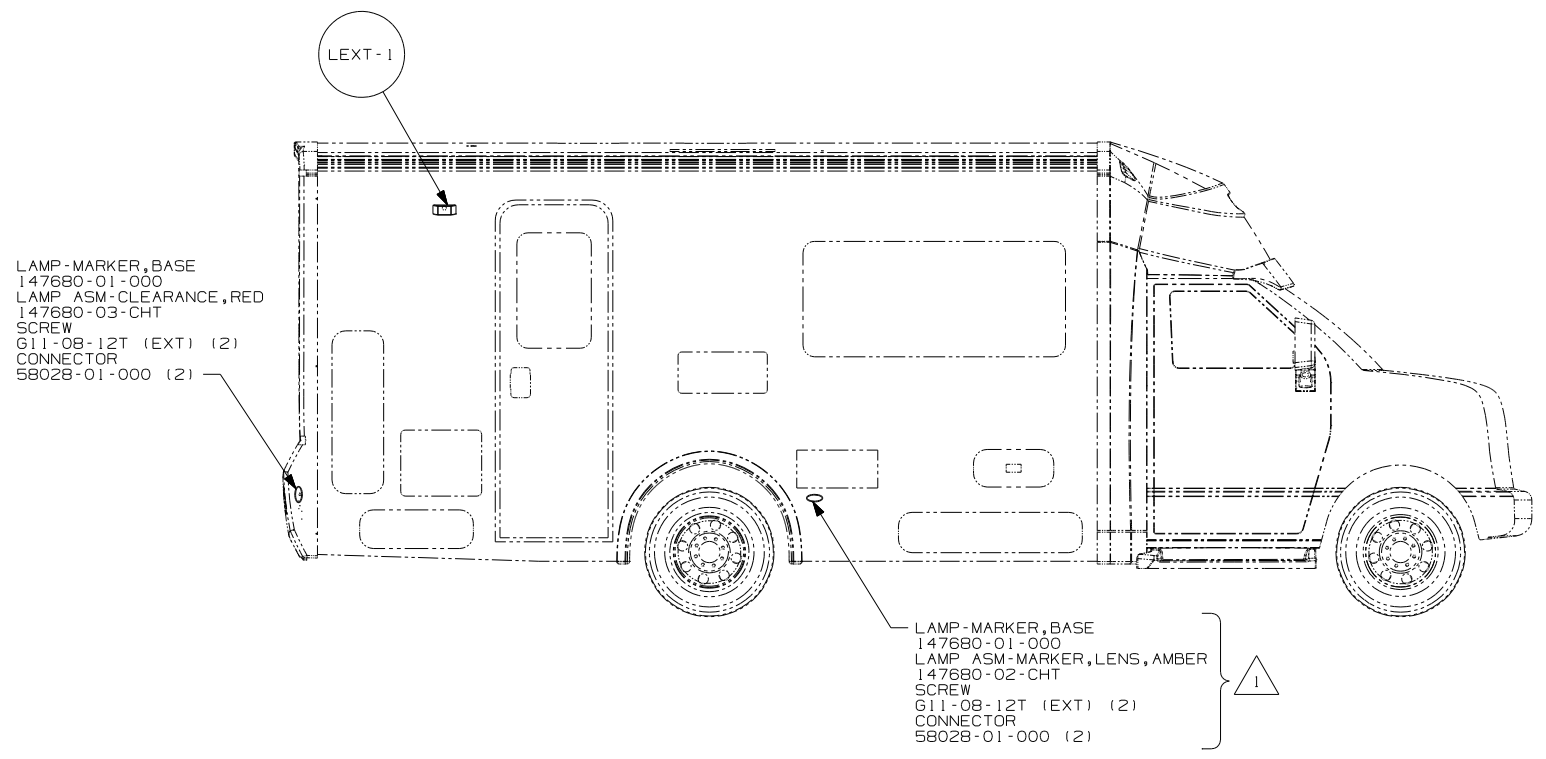
**DANGER**

**Danger of electrical shock, burns or death.** Always remove all power sources before attempting any repair, service or diagnostic work. Power can be present from shore power, generator, inverter or battery. All power sources must be disabled and secured before performing any service.



**CAUTION**

If you lack the skills, tools or equipment to perform diagnostic or repair work leave such work to an authorized Winnebago Industries dealer or other qualified shop.



265 CODES/STANDARDS-CSA/CMVSS  
1B1 CODES/STANDARDS USA  
1B1 265

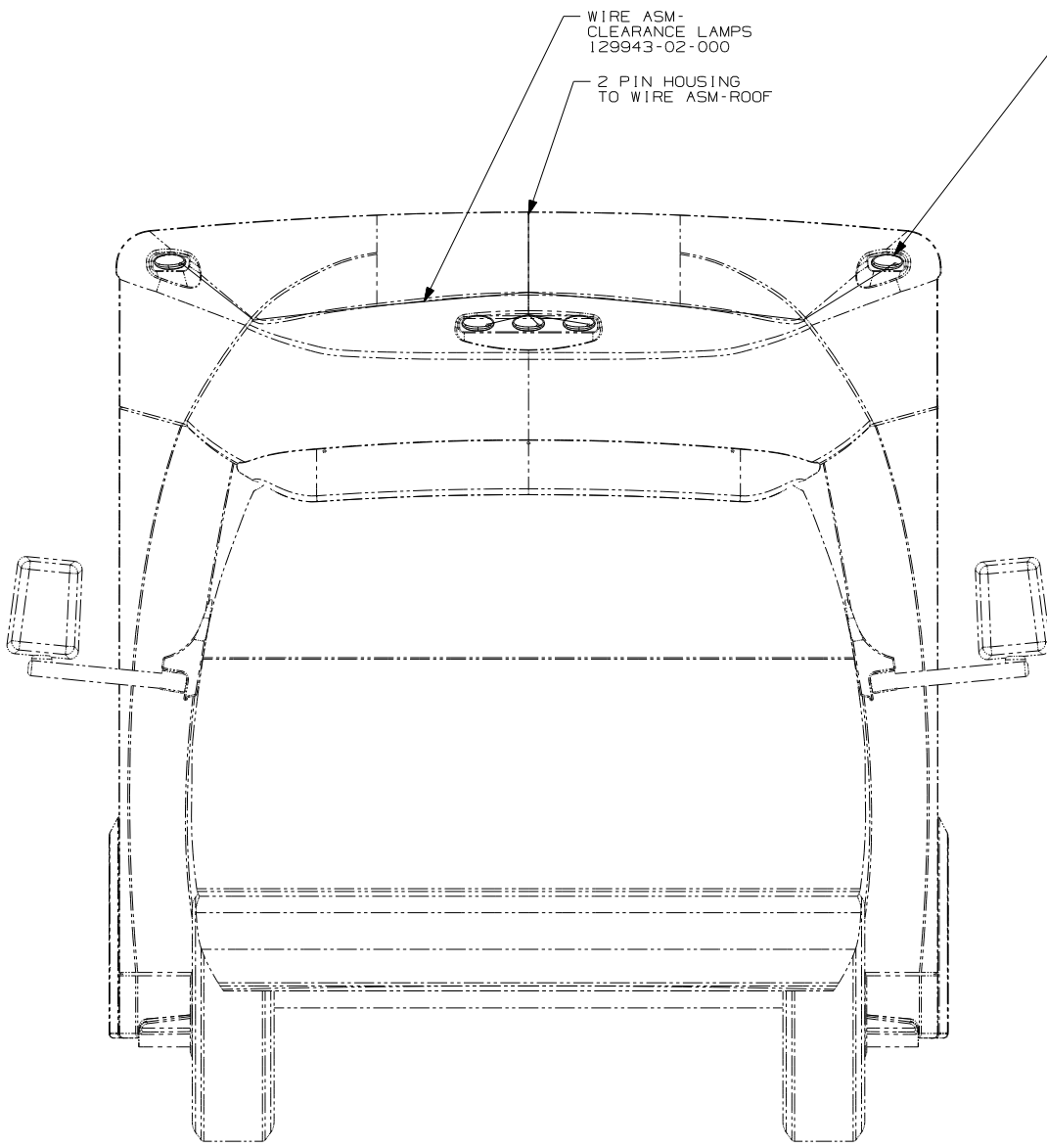
**WINNEBAGO** COPYRIGHT 2006 WINNEBAGO INDUSTRIES, INC.

D/FR	ORIG. DATE
CHKR	ALL DIMENSIONS ARE IN MILLIMETERS
P.E.	
M.E.	FIRST USED
DSNR	07 700-SERIES
UNSPECIFIED TOLERANCES ARE:	MATERIAL:
HOLE DIM (X) :	
ONE-PLACE (X.X) :	
TWO-PLACE (X.XX) :	
ANGLE :	
THIRD ANGLE PROJECTION	

FOR ELECTRICAL TORQUE SPECIFICATIONS SEE DWG NO. 128783-01-000

FOR ELECTRICAL CALLOUTS SEE DWG NO. 121339-01-000

NOTES: USED ON 729H ONLY.

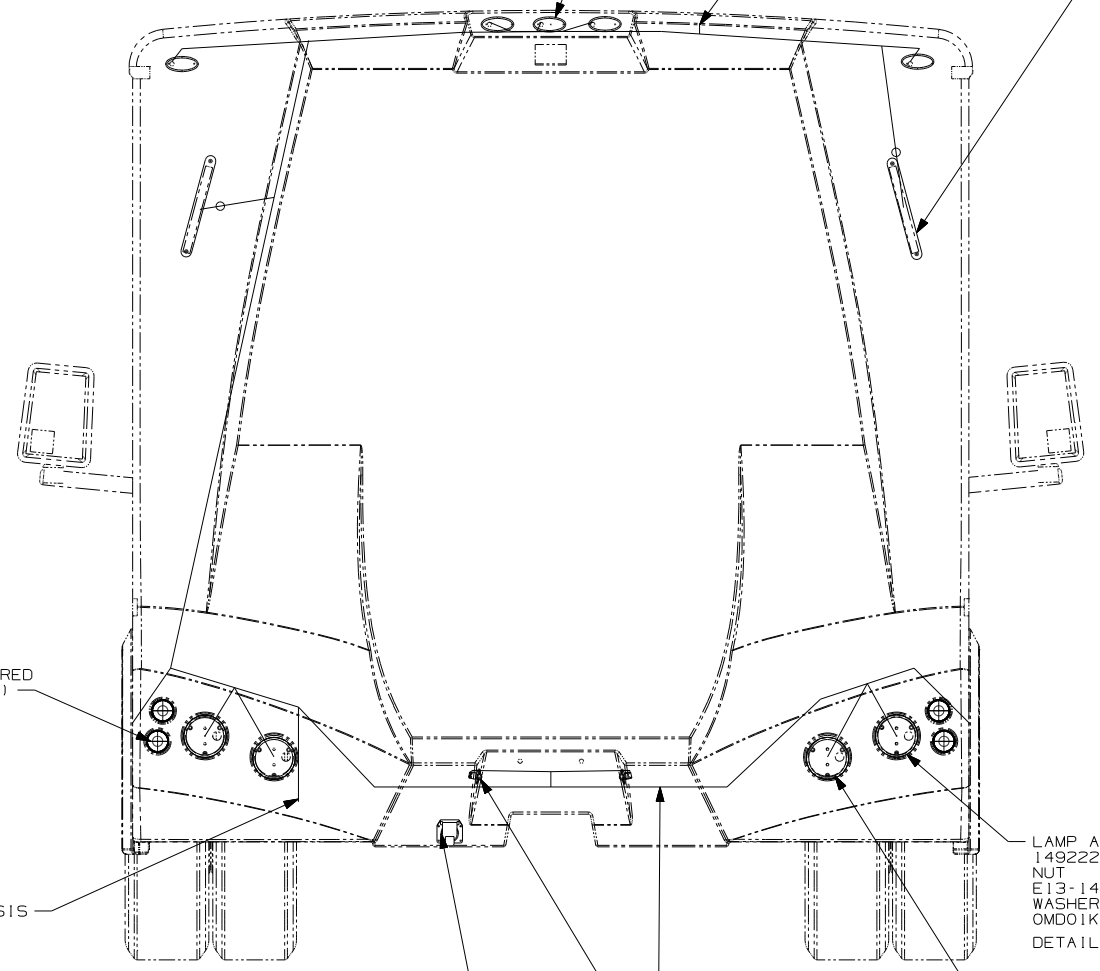


LAMP-MARKER, BASE  
147680-01-000 (5)  
LAMP ASM-CLEARANCE, AMBER  
147680-02-CHT (5)  
SCREW  
611-08-12U (EXT) (10)

LAMP-MARKER, BASE  
147680-01-000 (5)  
LAMP ASM-CLEARANCE, RED  
147680-03-CHT (5)  
SCREW  
611-08-12U (EXT) (10)

2 PIN HSG CONNECTS TO WIRE ASM-ROOF

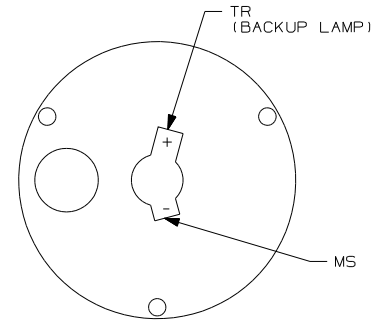
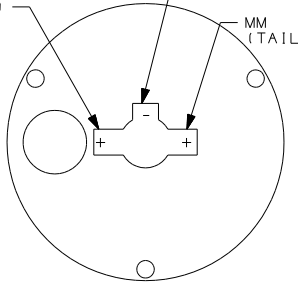
LIGHT ASM-BRAKE CENTER MOUNT (2)  
151076-01-000  
SCREW  
611-08-08T (4)



SC (RIGHT SIDE STOP/TURN)  
OR  
SD (LEFT SIDE STOP/TURN)

MS

MM (TAIL LIGHT)



CONNECTOR-TRAILER  
157593-01-000  
SCREW  
642-04-12B (4)  
CONNECTOR-PLUG

265 CODES/STANDARDS-CSA/CMVSS  
1B1 CODES/STANDARDS USA

1B1		265	
FIRST USED			
07 700-SERIES			
DO NOT SCALE DRAWING			
TITLE:			
WIRING INSTL-EXTERIOR LAMPS			
SHEET 2	PART NO	156366	REV

FOR ELECTRICAL TORQUE SPECIFICATIONS SEE DWG NO. 128783-01-000

FOR ELECTRICAL CALLOUTS SEE DWG NO. 121339-01-000

- NOTES:
- 3 LOCATED IN REAR CAP.
  - 2 SECURE WIRE BELOW COACH WITH CLAMP 10495-01-000 AND SCREW G67-10-12B.
  - 1 CONNECTOR-PLUG, TRAILER 146246-01-000 TO BE SUPPLIED LOOSE IN COACH WITH TRAILER TOW PACKAGE.