



DANGER

Danger of electrical shock, burns or death. Always remove all power sources before attempting any repair, service or diagnostic work. Power can be present from shore power, generator, inverter or battery. All power sources must be disabled and secured before performing any service.

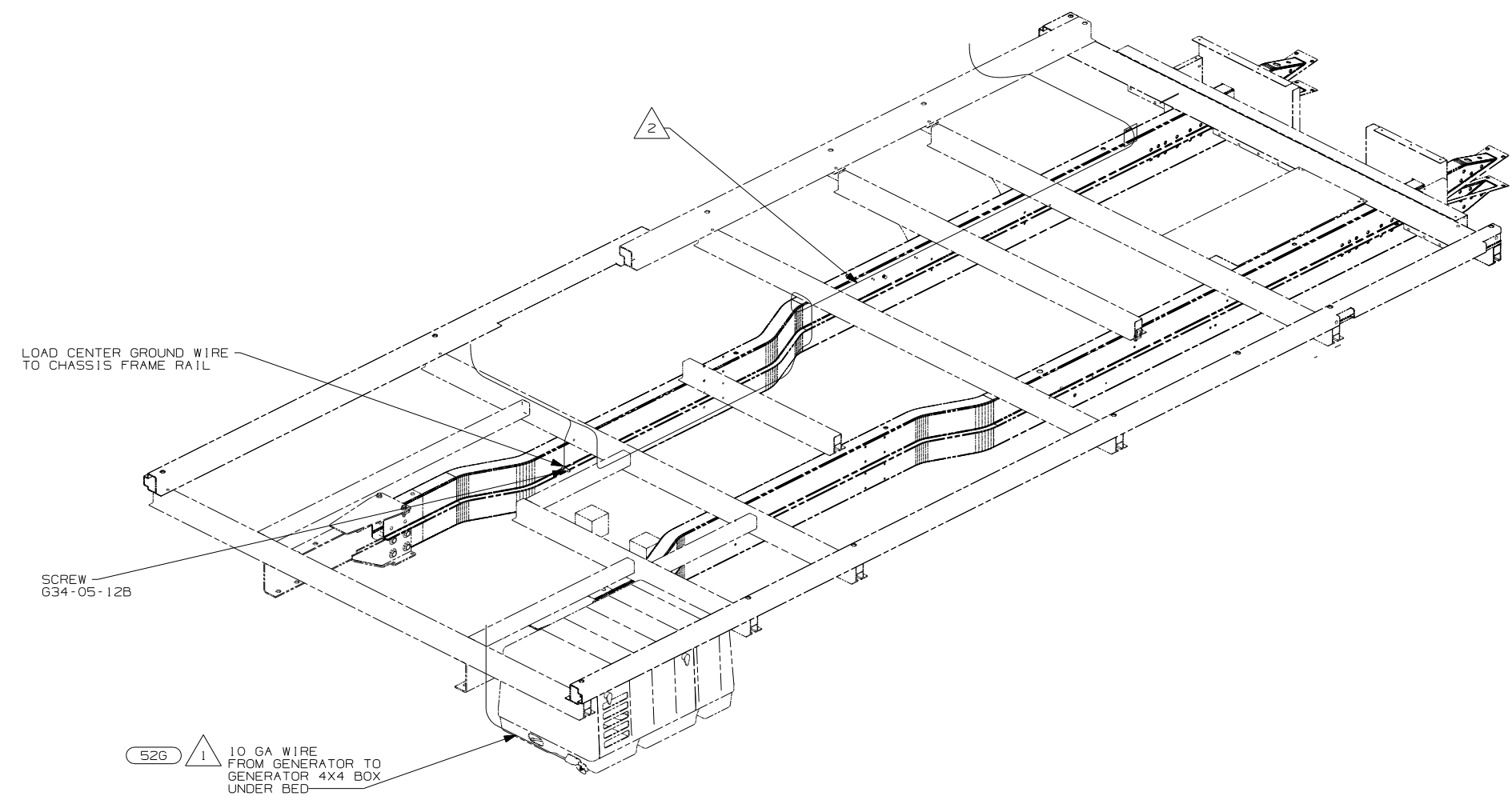


CAUTION

If you lack the skills, tools or equipment to perform diagnostic or repair work leave such work to an authorized Winnebago Industries dealer or other qualified shop.

DRAWING NO.	FEATURE
158596-01	-----
158596-11	(1B1) (12D)
158596-15	(265) (12D)

RELEASE	REV DATE	DWG NO	158596
REV ZONE	REVISION RECORD	DATE	DFTR-ORIG



- (526) GEN-4.0KW-ONANGAS-MICROQUIET
- (12D) ELECTRICAL SYSTEM 30 AMP
- (265) CODES/STANDARDS-CSA/CMVSS
- (1B1) CODES/STANDARDS USA

(1B1) (265) (12D)



DFTR	ORIG. DATE
CHKR	ALL DIMENSIONS ARE IN MILLIMETERS
P.E.	
M.E.	FIRST USED
DSNR	07 523J
UNSPECIFIED TOLERANCES ARE:	MATERIAL:
WHOLE DIM (X) :	.
ONE-PLACE (X.X) :	.
TWO-PLACE (X.XX) :	.
ANGLE :	.
THIRD ANGLE PROJECTION	

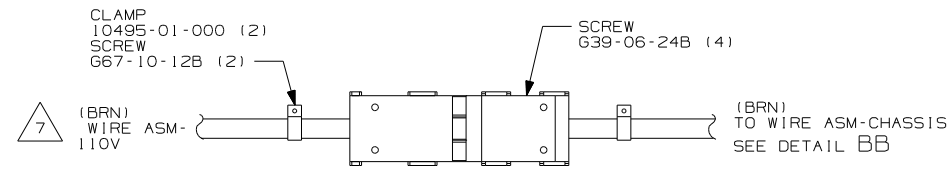
DO NOT SCALE DRAWING	
TITLE:	WIRING INSTL-BODY, 110V
SHEET 1 OF 3	PART NO 158596 REV
REF:	1 6/28/2006

NOTES:

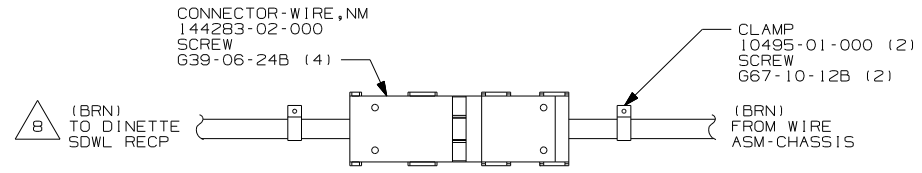
(2) FLEX CORD IS PART OF WIRE ASM-CHASSIS.

(1) SEE GENERATOR INSTALLATION FOR ADDITIONAL INFORMATION.

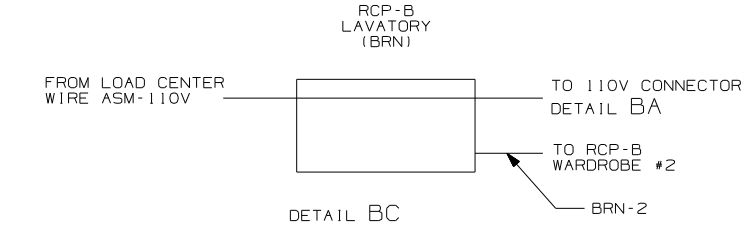
(X-X) FOR ELECTRICAL CALLOUTS SEE DWG NO. 121339-01-000



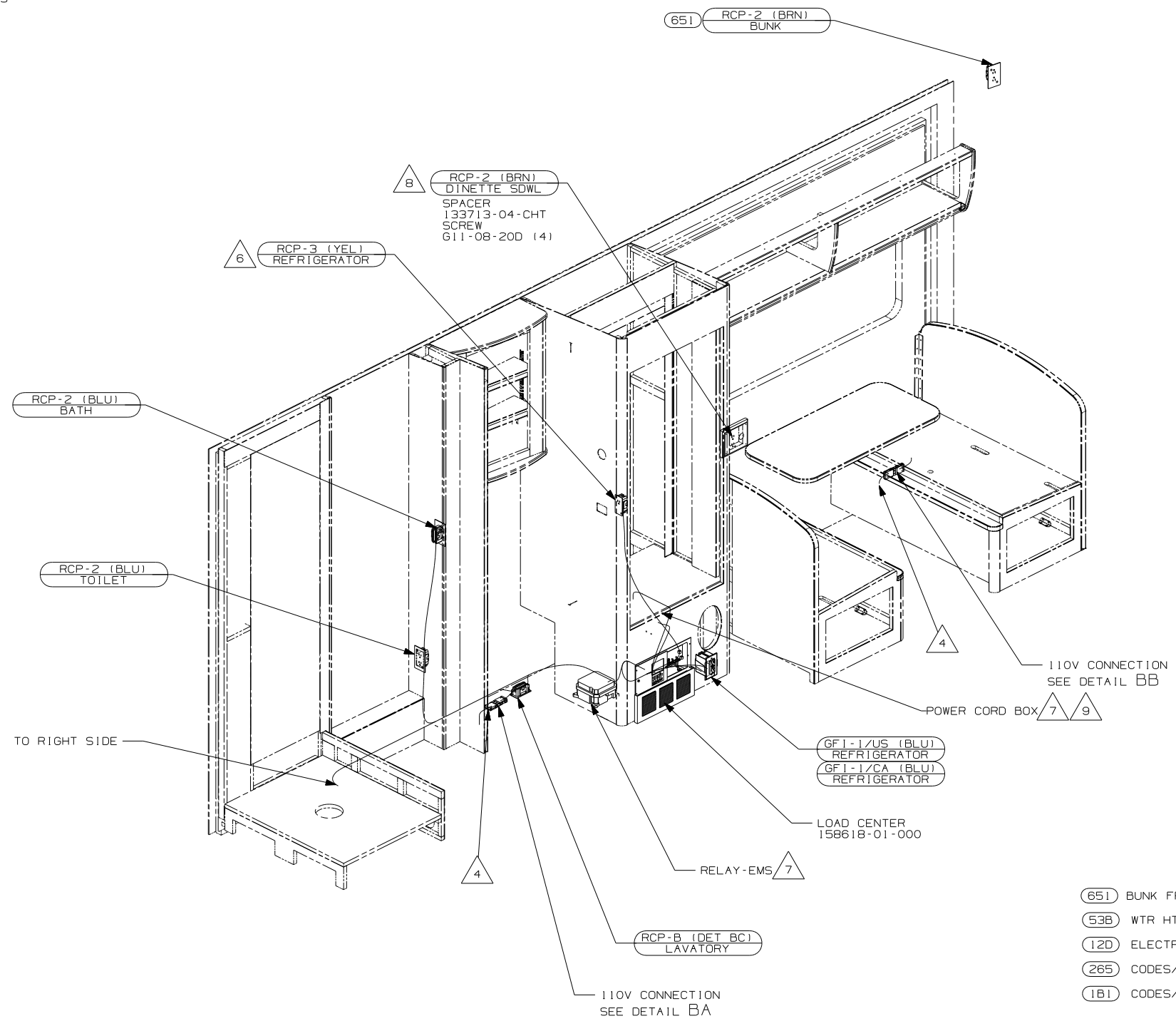
DETAIL BA



DETAIL BB



DETAIL BC



- 8 WIRE ROUTED IN SIDEWALL.
- 7 SEE LOAD CENTER/ATS ASM FOR ADDITIONAL INFORMATION.
- 6 LOCATE REFRIGERATOR RECP ON TIEDOWN BRACKET.
- 5 SEE GENERATOR INSTALLATION FOR ADDITIONAL INFORMATION.
- 4 WIRE ROUTED THRU FLOOR AT THIS POINT
- 3 ALL GROUND WIRE TO BE COVERED WITH TUBING 8041-02-000.

2. ALL 110V WIRE TO BE CLAMPED WITH CLAMP 10497-05-000 WITHIN 200 OF OUTLET BOXES, USE SCREW G67-10-12B.

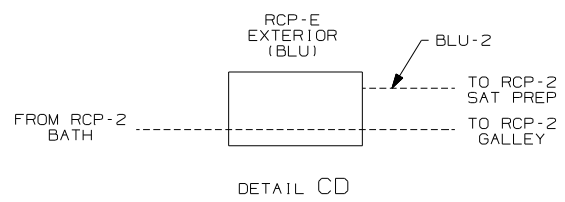
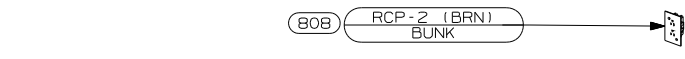
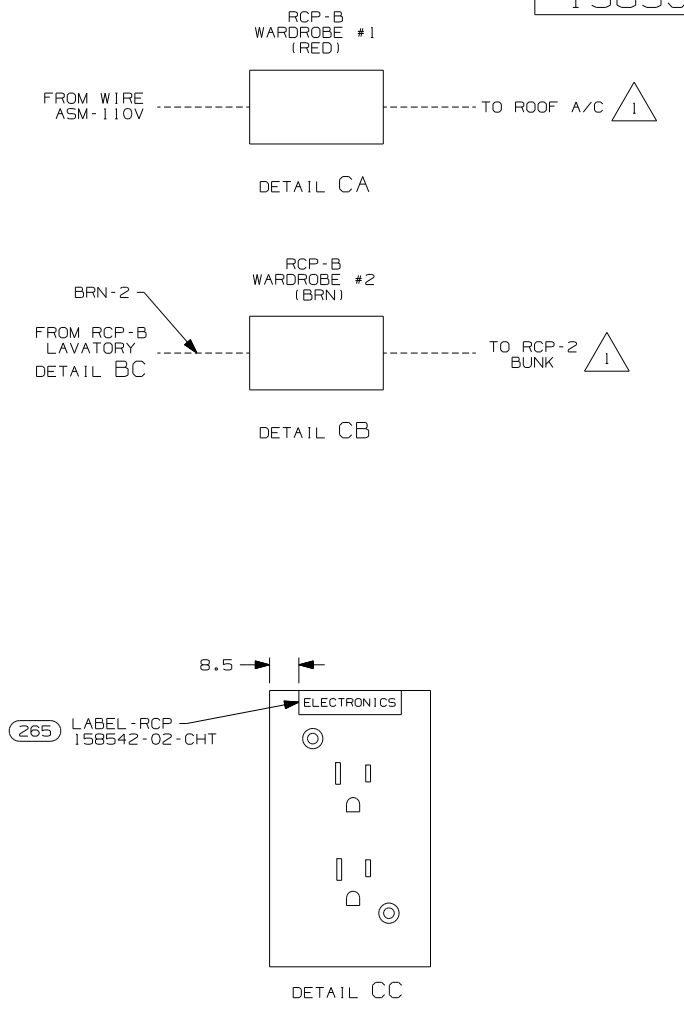
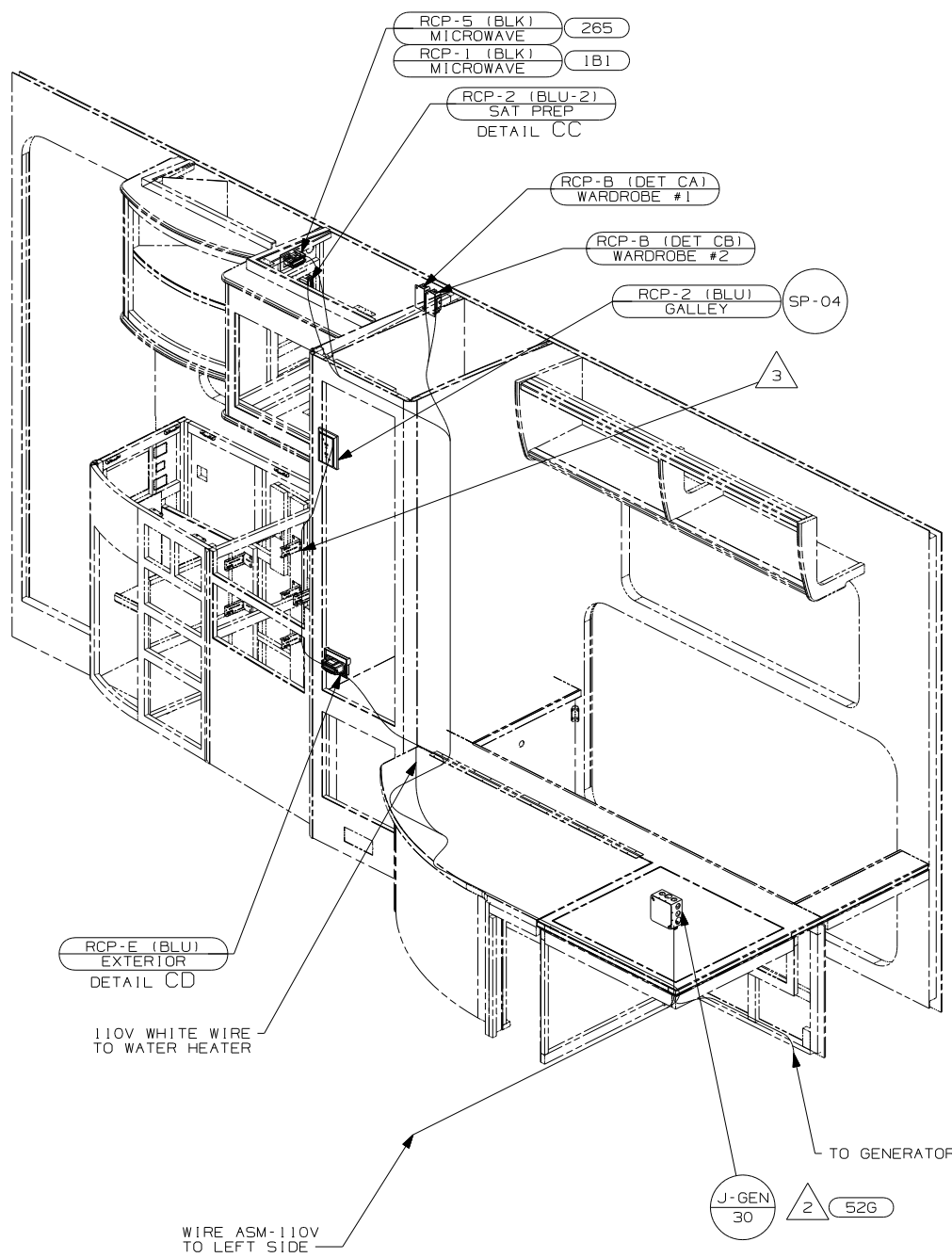
1. ALL WIRES TO BE SECURED WITH CLAMP 10495-01-000 OR CLIP 80734-01-000 EVERY 600MM. USE SCREW G67-10-12B UNLESS OTHERWISE SPECIFIED.

NOTES:

- 651 BUNK FRONT OVERHEAD-SINGLE
- 53B WTR HTR-6GAL ELECTRIC/LP GAS
- 12D ELECTRICAL SYSTEM 30 AMP
- 265 CODES/STANDARDS-CSA/CMVSS
- 1B1 CODES/STANDARDS USA

FIRST USED	07 523J	
TITLE	DO NOT SCALE DRAWING	
	WIRING INSTL-BODY, 110V	
SHEET 2	PART NO	158596

X-X FOR ELECTRICAL CALLOUTS SEE DWG NO. 121339-01-000



- NOTES:
- 4 SEE LOAD CENTER INSTL FOR ADDITIONAL INFORMATION.
 - 3 ROUTE WIRE THRU SIDEWALL
 - 2 SEE GENERATOR INSTALLATION FOR ADDITIONAL INFORMATION.
 - 1 WIRE ROUTED IN ROOF.

- (808) CABINET, FRONT CAB OVERHEAD
- (526) GEN-3.6KW ONAN LP MICROQUIET
- (265) CODES/STANDARDS-CSA/CMVSS
- (105) ENTERTAINMENT CENTR/EXT W/CD
- (1B1) CODES/STANDARDS USA

FIRST USED		07 523J	
DO NOT SCALE DRAWING			
TITLE: WIRING INSTL-BODY, 110V			
SHEET 3	PART NO	158596	REV

FOR ELECTRICAL TORQUE SPECIFICATIONS SEE DWG NO. 128783-01-000