



DANGER

Danger of electrical shock, burns or death. Always remove all power sources before attempting any repair, service or diagnostic work. Power can be present from shore power, generator, inverter or battery. All power sources must be disabled and secured before performing any service.



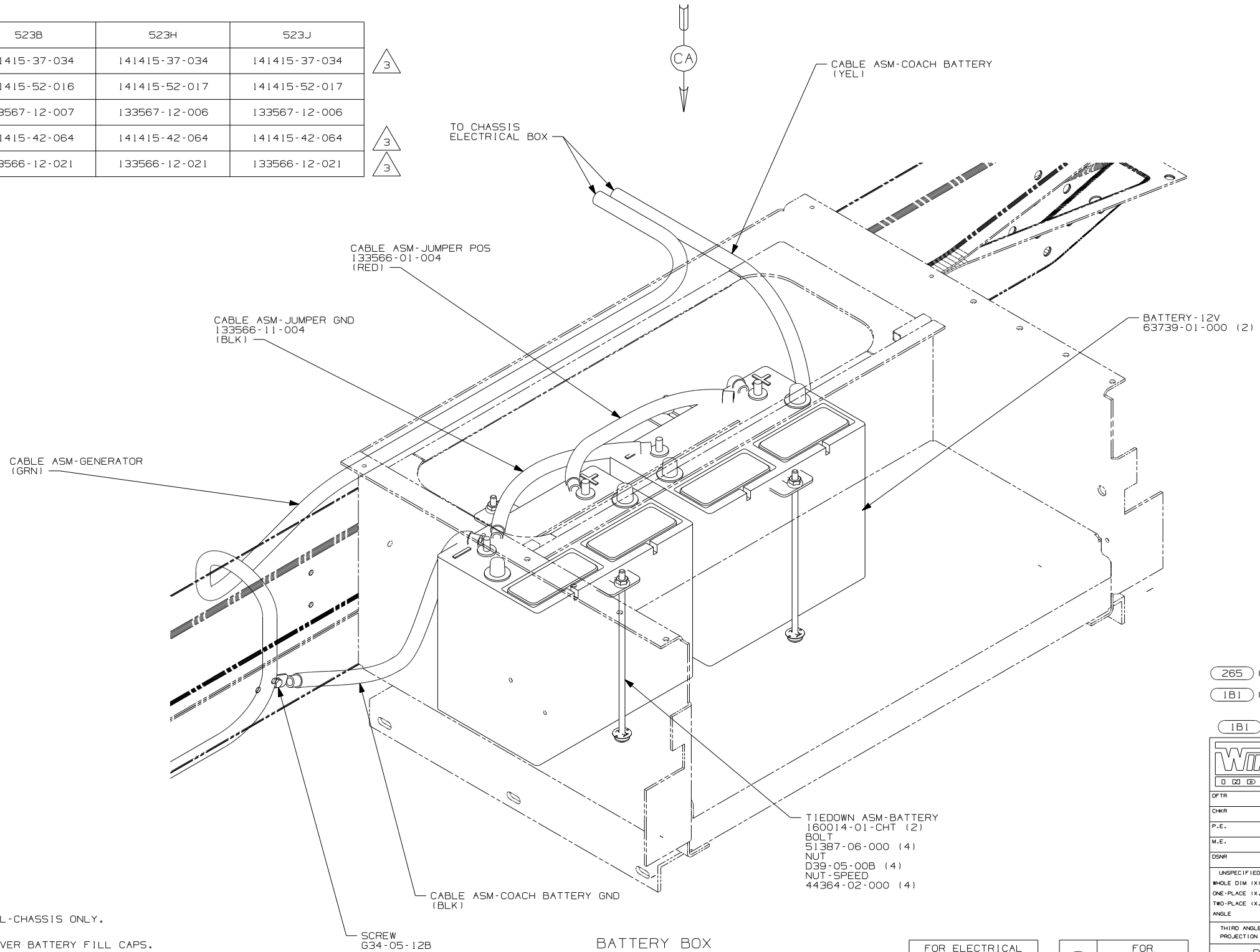
CAUTION

If you lack the skills, tools or equipment to perform diagnostic or repair work leave such work to an authorized Winnebago Industries dealer or other qualified shop.

DRAWING NO.	MODEL	SHEET
158598-01	523H, 523J	1,3
158598-02	523B	2,3

RELEASE	REV DATE	DWG NO
A		158598
REV ZONE	REVISION RECORD	DATE DFR-ORIG

	523B	523H	523J
CABLE ASM-STARTER (RED)	141415-37-034	141415-37-034	141415-37-034
CABLE ASM-COACH BATTERY (YEL)	141415-52-016	141415-52-017	141415-52-017
CABLE ASM-COACH BATTERY GND (BLK)	133567-12-007	133567-12-006	133567-12-006
CABLE ASM-GENERATOR (GRN)	141415-42-064	141415-42-064	141415-42-064
CABLE ASM-GENERATOR GND (BLK)	133566-12-021	133566-12-021	133566-12-021



- 3 ROUTING OF CABLE SHOWN ON WIRING INSTL-CHASSIS ONLY.
2. BATTERY CABLES ARE NOT TO BE ROUTED OVER BATTERY FILL CAPS.
1. SEE WIRING INSTL-CHASSIS FOR ADDITIONAL INFORMATION ON ROUTING OF CABLES.

NOTES:

- 265 CODES/STANDARDS-CSA/CMVSS
- 1B1 CODES/STANDARDS USA
- 1B1 265

WINNEBAGO COPYRIGHT 2006 WINNEBAGO INDUSTRIES, INC.

DFTR	ORIG. DATE
CHKR	ALL DIMENSIONS ARE IN MILLIMETERS
P.E.	
M.E.	FIRST USED
DSNR	07 500-SERIES

UNSPECIFIED TOLERANCES ARE: MATERIAL:

WHOLE DIM (X)	:	
ONE-PLACE (X.X)	:	
TWO-PLACE (X.XX)	:	
ANGLE	:	

THIRD ANGLE PROJECTION

DO NOT SCALE DRAWING

TITLE: **BATTERY INSTL**

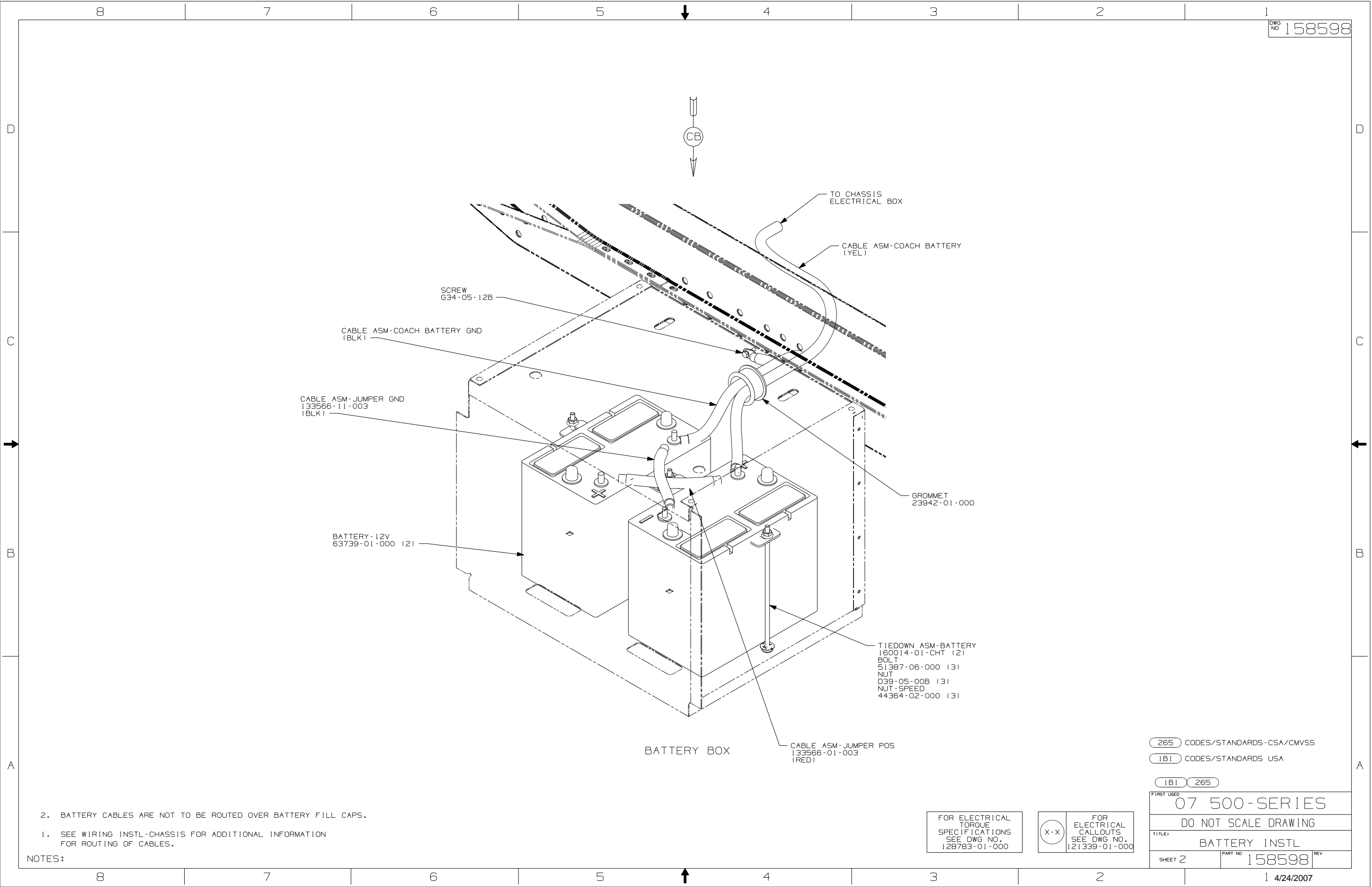
SHEET 1 of 3 PART NO **158598** REV

REF: 1 4/24/2007

FOR ELECTRICAL TORQUE SPECIFICATIONS SEE DWG NO. 128783-01-000

FOR ELECTRICAL CALLOUTS SEE DWG NO. 121339-01-000

BATTERY BOX



2. BATTERY CABLES ARE NOT TO BE ROUTED OVER BATTERY FILL CAPS.
1. SEE WIRING INSTL-CHASSIS FOR ADDITIONAL INFORMATION FOR ROUTING OF CABLES.

NOTES:

FOR ELECTRICAL TORQUE SPECIFICATIONS SEE DWG NO. 128783-01-000

FOR ELECTRICAL CALLOUTS SEE DWG NO. 121339-01-000

265 CODES/STANDARDS-CSA/CMVSS

1B1 CODES/STANDARDS USA

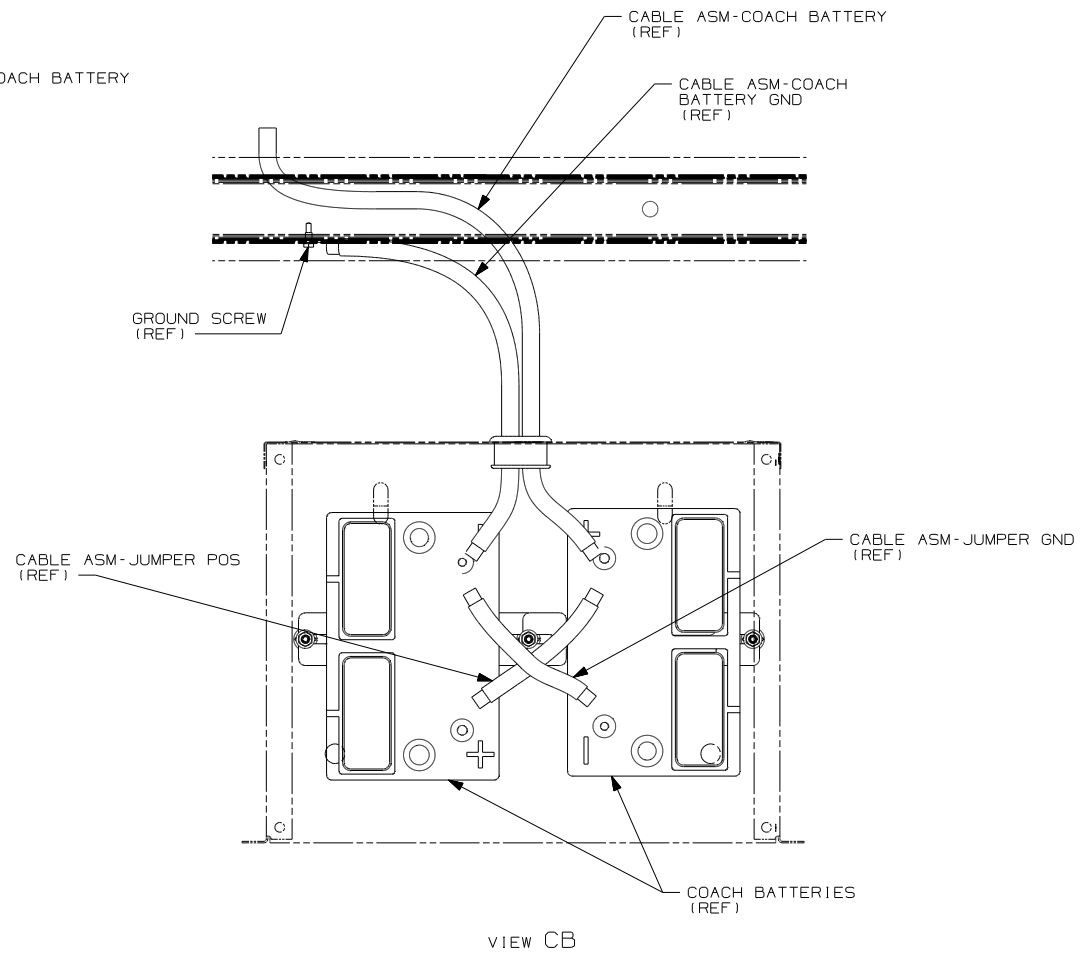
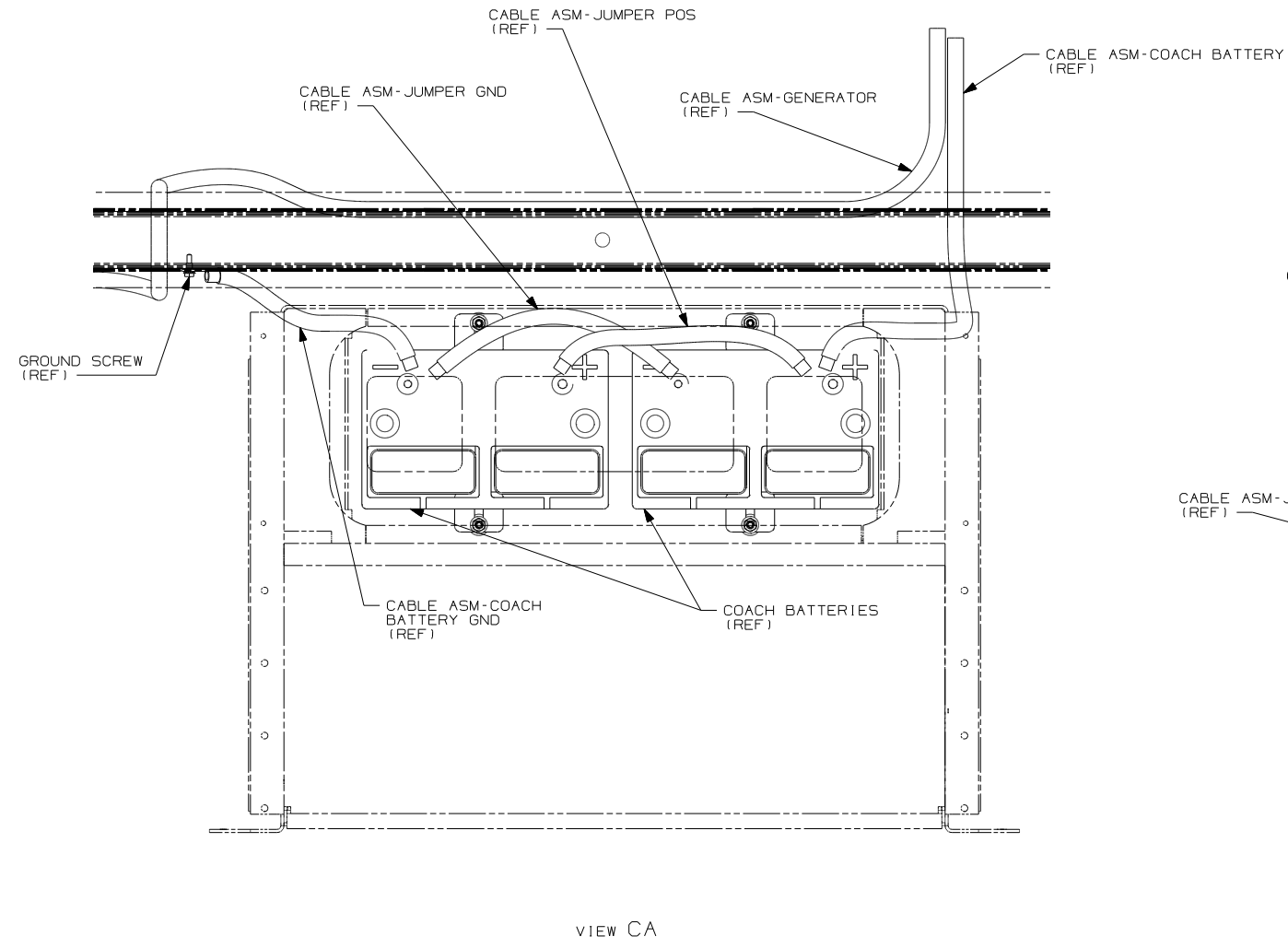
1B1 265

FIRST USED 07 500-SERIES

DO NOT SCALE DRAWING

TITLE: BATTERY INSTL

SHEET 2 PART NO 158598 REV



VIEW CA

VIEW CB

265 CODES/STANDARDS - CSA/CMVSS

1B1 CODES/STANDARDS USA

1B1 265

FIRST USED
07 500-SERIES

DO NOT SCALE DRAWING

TITLE:
BATTERY INSTL

SHEET 3 PART NO 158598 REV

FOR ELECTRICAL TORQUE SPECIFICATIONS SEE DWG NO. 128783-01-000

X-X

FOR ELECTRICAL CALLOUTS SEE DWG NO. 121339-01-000