



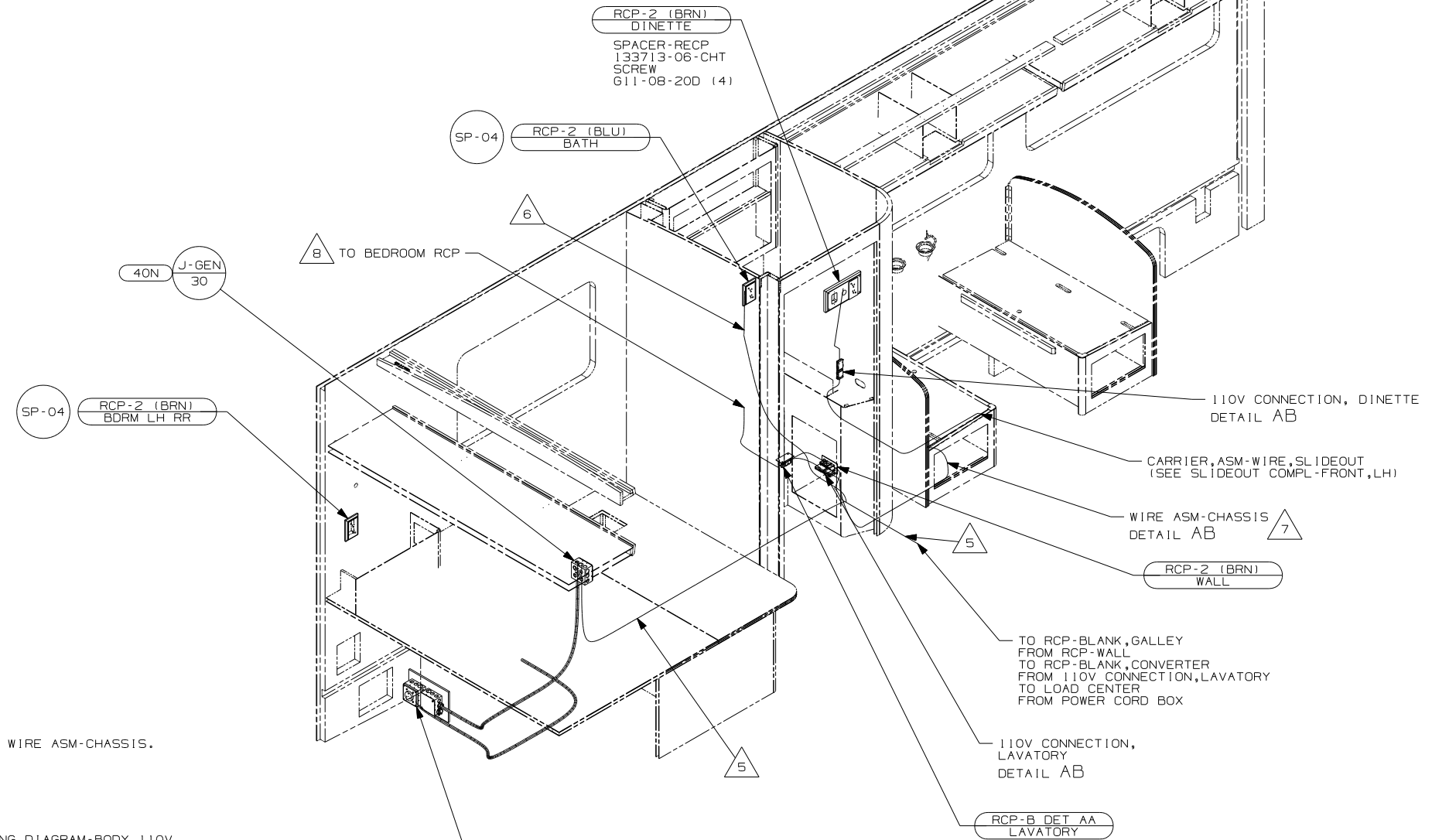
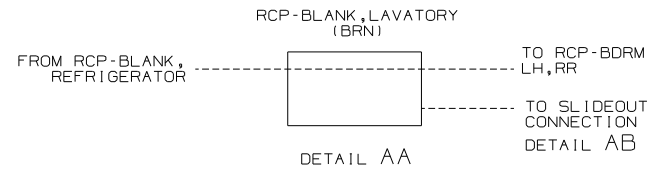
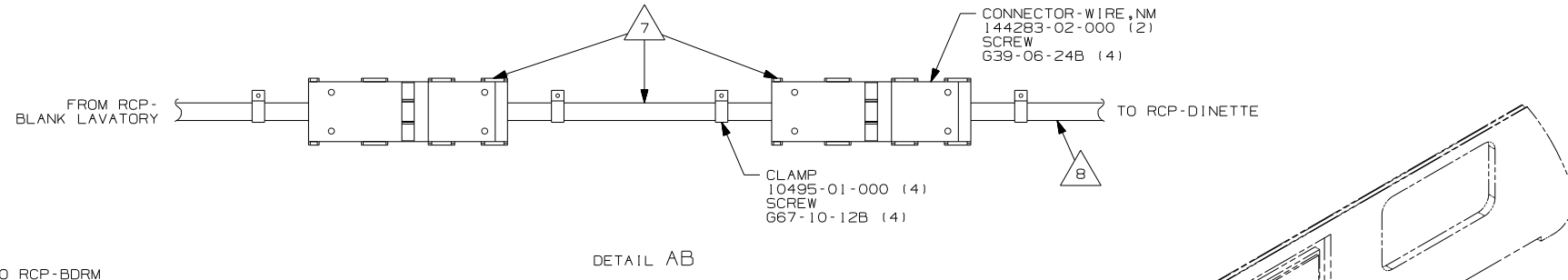
**DANGER**

**Danger of electrical shock, burns or death.** Always remove all power sources before attempting any repair, service or diagnostic work. Power can be present from shore power, generator, inverter or battery. All power sources must be disabled and secured before performing any service.



**CAUTION**

If you lack the skills, tools or equipment to perform diagnostic or repair work leave such work to an authorized Winnebago Industries dealer or other qualified shop.



- △ 8 WIRE IN SIDEWALL.
- △ 7 CORD & CONNECTORS ARE PART OF WIRE ASM-CHASSIS.
- △ 6 ROUTE WIRE THRU SIDEWALL.
- △ 5 ROUTE WIRE THRU FLOOR.

4. FOR MORE INFORMATION SEE WIRING DIAGRAM-BODY, 110V.
3. ALL GROUND WIRE TO BE COVERED WITH TUBING 8041-02-000.
2. ALL 110V WIRE TO BE CLAMPED WITH CLAMP 10497-05-000 WITHIN 200MM OF OUTLET BOXES, USE SCREW G67-10-12B.
1. ALL WIRES TO BE SECURED WITH CLAMP 10495 OR 10497 OR WIRE TIE 8343 OR 108046 EVERY 600MM, USE SCREW G67-XX-XXX OR G56-XX-XXX AS APPROPRIATE FOR INSTALLATION.

NOTES:

- 40N GEN-4, 0KW-ONANGAS-MICROQUIET
  - 12D ELECTRICAL SYSTEM 30 AMP
  - 265 CODES/STANDARDS-CSA/CMVSS
  - 1B1 CODES/STANDARDS USA
- 1B1 265 12D

**WINNEBAGO** COPYRIGHT 2006 WINNEBAGO INDUSTRIES, INC.

DFTR	ORIG. DATE
CHKR	ALL DIMENSIONS ARE IN MILLIMETERS
P.E.	FIRST USED
M.E.	07 331C
DSNR	

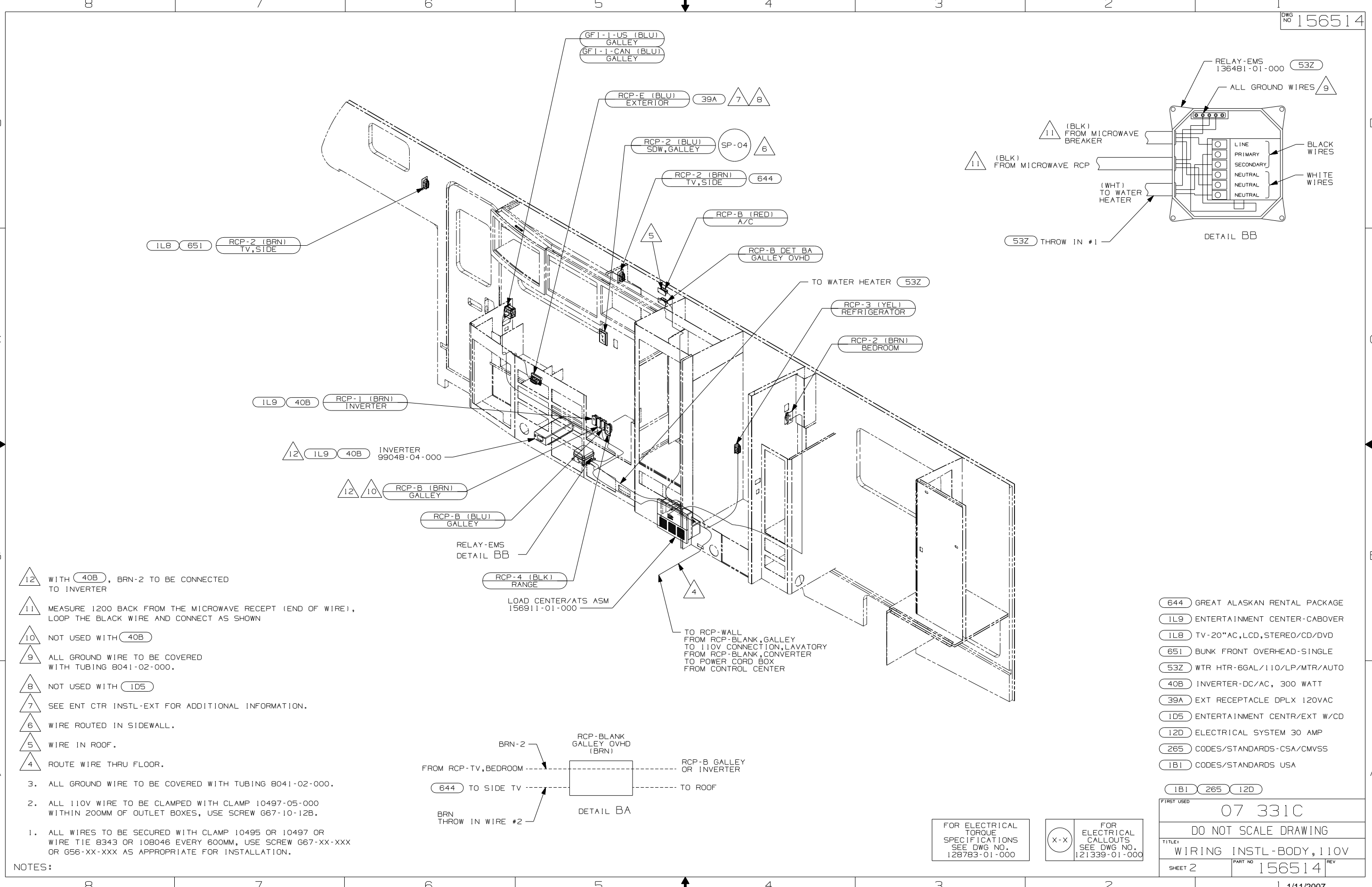
UNSPECIFIED TOLERANCES ARE: MATERIAL:

WHOLE DIM (X)	: 3
ONE-PLACE (X.X)	: 1.5
TWO-PLACE (X.XX)	: 0.50
ANGLE	: 1°

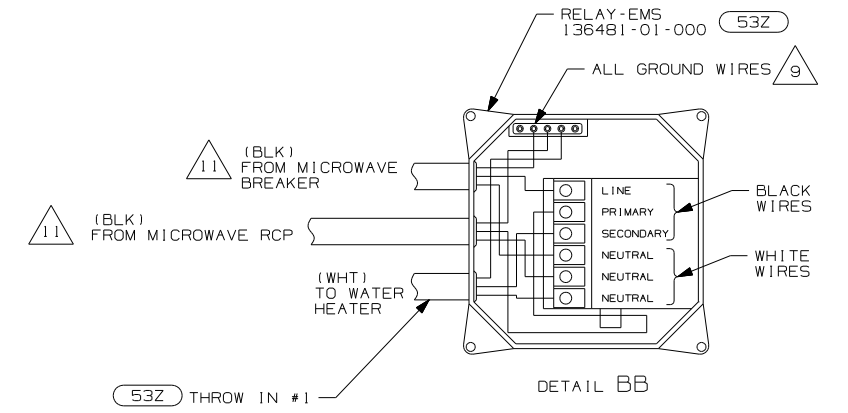
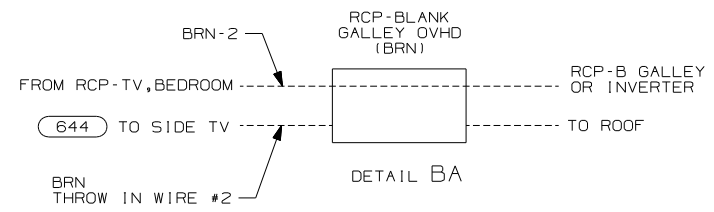
THIRD ANGLE PROJECTION

FOR ELECTRICAL TORQUE SPECIFICATIONS SEE DWG NO. 128783-01-000

FOR ELECTRICAL CALLOUTS SEE DWG NO. 121339-01-000



- 12 WITH 40B, BRN-2 TO BE CONNECTED TO INVERTER
  - 11 MEASURE 1200 BACK FROM THE MICROWAVE RECEPT (END OF WIRE), LOOP THE BLACK WIRE AND CONNECT AS SHOWN
  - 10 NOT USED WITH 40B
  - 9 ALL GROUND WIRE TO BE COVERED WITH TUBING 8041-02-000.
  - 8 NOT USED WITH 105
  - 7 SEE ENT CTR INSTL-EXT FOR ADDITIONAL INFORMATION.
  - 6 WIRE ROUTED IN SIDEWALL.
  - 5 WIRE IN ROOF.
  - 4 ROUTE WIRE THRU FLOOR.
3. ALL GROUND WIRE TO BE COVERED WITH TUBING 8041-02-000.
  2. ALL 110V WIRE TO BE CLAMPED WITH CLAMP 10497-05-000 WITHIN 200MM OF OUTLET BOXES, USE SCREW G67-10-12B.
  1. ALL WIRES TO BE SECURED WITH CLAMP 10495 OR 10497 OR WIRE TIE 8343 OR 108046 EVERY 600MM, USE SCREW G67-XX-XXX OR G56-XX-XXX AS APPROPRIATE FOR INSTALLATION.



- 644 GREAT ALASKAN RENTAL PACKAGE
- 1L9 ENTERTAINMENT CENTER-CABOVER
- 1L8 TV-20"AC,LCD,STEREO/CD/DVD
- 651 BUNK FRONT OVERHEAD-SINGLE
- 53Z WTR HTR-6GAL/110/LP/MTR/AUTO
- 40B INVERTER-DC/AC, 300 WATT
- 39A EXT RECEPTACLE DPLX 120VAC
- 105 ENTERTAINMENT CENTR/EXT W/CD
- 120 ELECTRICAL SYSTEM 30 AMP
- 265 CODES/STANDARDS-CSA/CMVSS
- 1B1 CODES/STANDARDS USA

FIRST USED		07 331C	
DO NOT SCALE DRAWING			
TITLE: WIRING INSTL-BODY, 110V			
SHEET 2	PART NO	156514	REV

FOR ELECTRICAL TORQUE SPECIFICATIONS SEE DWG NO. 128783-01-000

(X-X) FOR ELECTRICAL CALLOUTS SEE DWG NO. 121339-01-000