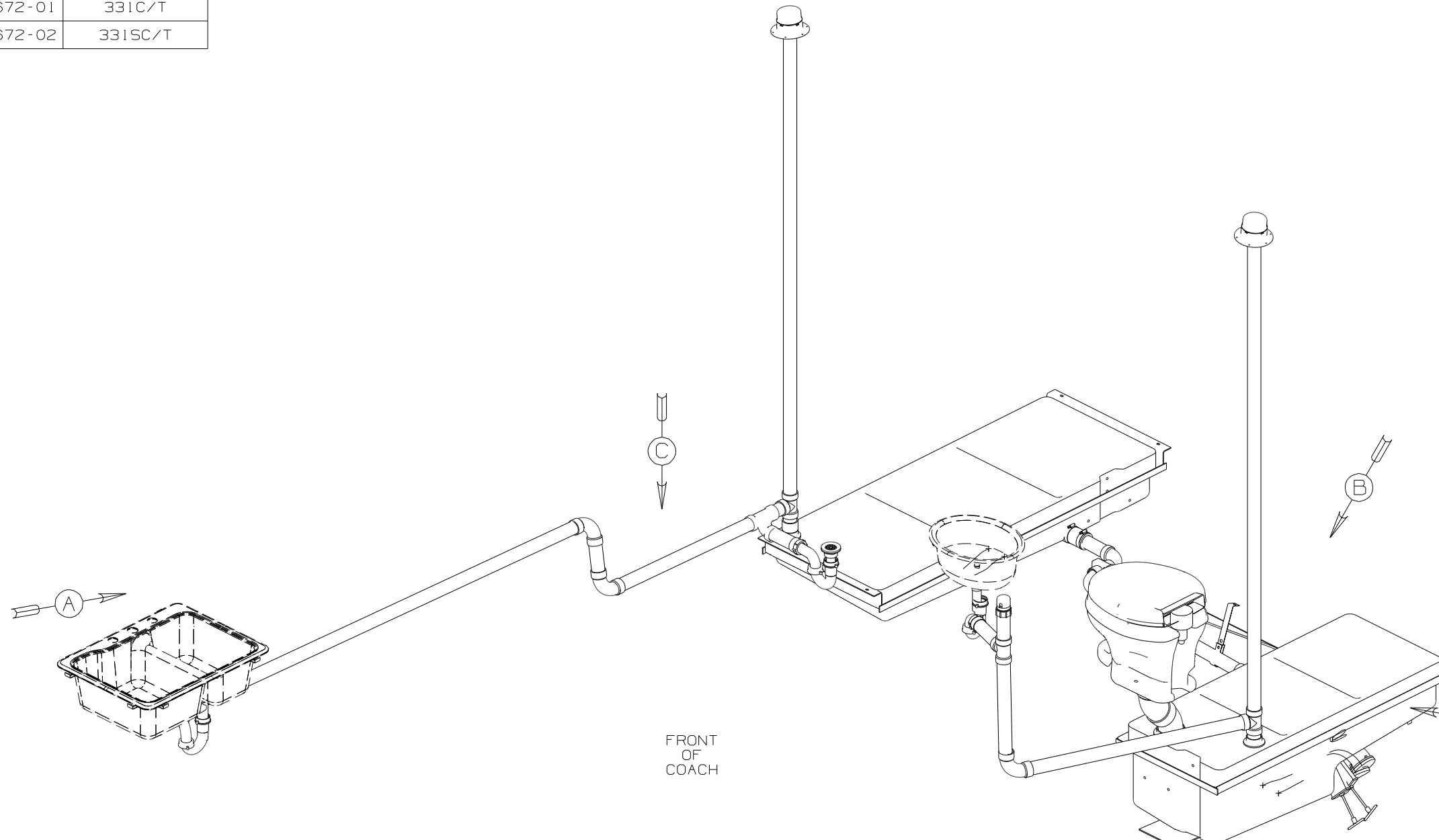


DWG NO	UNIT
155672-01	331C/T
155672-02	331SC/T

RELEASE	REV DATE	DWG NO
A		155672
REV ZONE	REVISION RECORD	DATE
		DFTR-ORIG



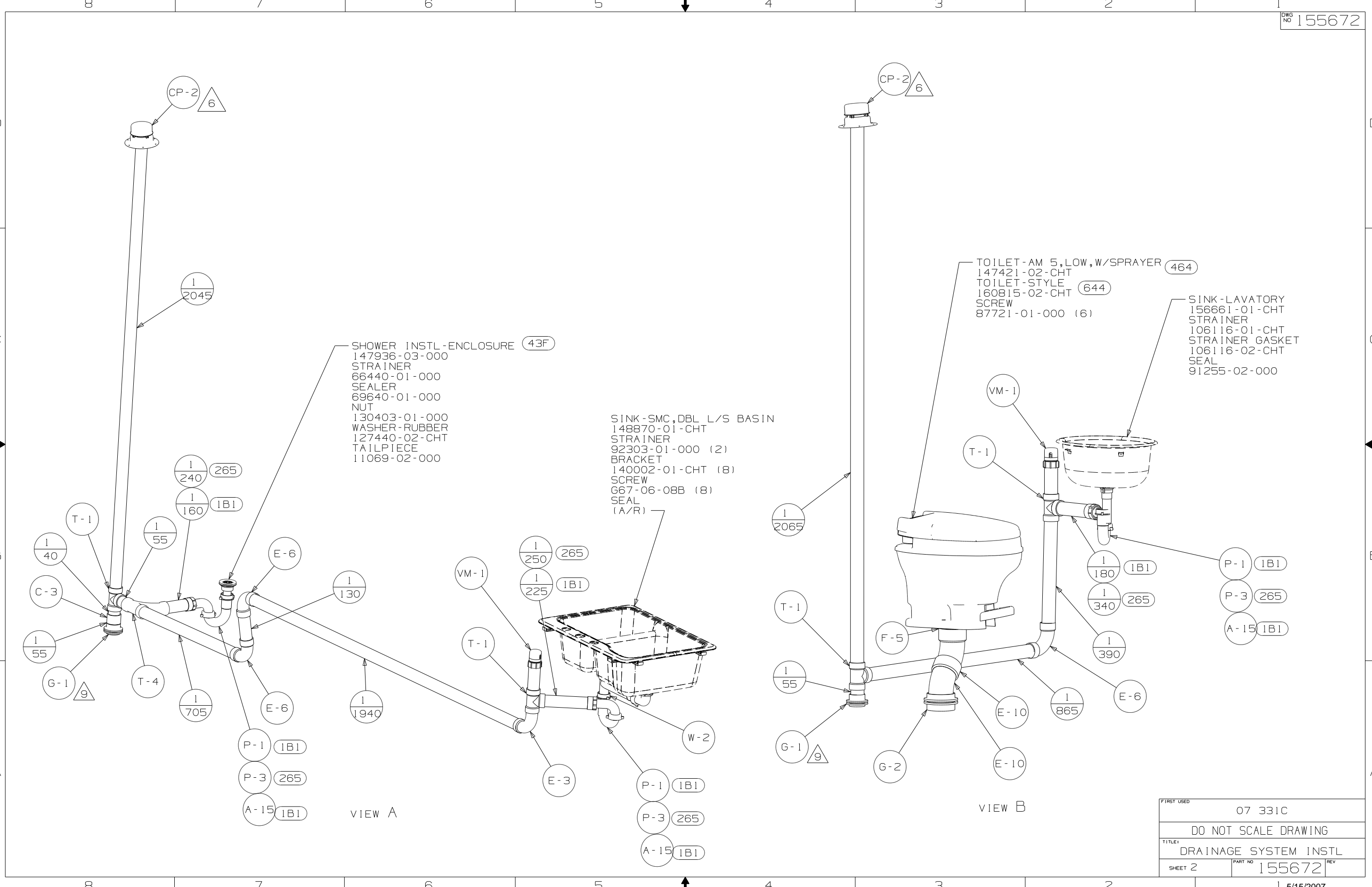
- (1B1) CODES/STANDARDS USA
- (265) CODES/STDS-CSA/CMVSS
- (43F) SHOWER SURROUND
- (464) TOILET
- (23T) DRAINAGE SYSTEM-HEATED
- (644) GREAT ALASKAN RENTAL PACKAGE

10. SECURE PIPES TO CABINET USING WIRE TIE 108046-02-000 AND SCREW G67-10-12B.
9. SECURE VENT TUBES TO FLOOR WITH CLAMP 62401-02-000 (2) SCREW G67-10-12B (2) AND BRACKET 136878-01-CHT (2).
8. WRAP PAD AROUND ON THE SIDES OF THE TANK.
7. SEE WIRING INSTL-BODY, 12V FOR ELECTRICAL CONNECTION.
6. VENT PIPE MUST PROJECT 51 MIN AND 64 MAX ABOVE ROOF FOR PROPER FIT AND FUNCTION.
5. SEAL AROUND SHOWER WITH SILICONE.
4. ALL EXTERIOR OPENINGS AROUND PIPE TO BE SEALED WITH 131264-03.
3. ALL PIPE AND FITTINGS TO BE ASSEMBLED WITH SOLVENT 4020-01-000.
2. SLOPE OF TRAP ARM MUST BE 6 PER 305 mm.
1. SLOPE OF HORIZONTAL PIPING TO BE MIN 3 PER 305 mm.

<b>WINNEBAGO</b>		COPYRIGHT 2007 WINNEBAGO INDUSTRIES, INC.	
DFTR	ORIG. DATE	ALL DIMENSIONS ARE IN MILLIMETERS	
CHKR		FIRST USED	
P.E.		07 331C	
M.E.		UNSPECIFIED TOLERANCES ARE:	
DSNR		MATERIAL:	
		WHOLE DIM (X)	: 7
		ONE-PLACE (X.X)	:
		TWO-PLACE (X.XX)	:
		ANGLE	:
THIRD ANGLE PROJECTION		DO NOT SCALE DRAWING	
TITLE: DRAINAGE SYSTEM INSTL			
SHEET 1 OF 3	PART NO	155672	REV
REF:	1 5/15/2007		

FOR  
DRAINAGE  
CALLOUTS  
SEE DWG NO  
116229-01-000

NOTES:



SHOWER INSTL-ENCLOSURE (43F)  
 147936-03-000  
 STRAINER  
 66440-01-000  
 SEALER  
 69640-01-000  
 NUT  
 130403-01-000  
 WASHER-RUBBER  
 127440-02-CHT  
 TAILPIECE  
 11069-02-000

SINK-SMC, DBL L/S BASIN  
 148870-01-CHT  
 STRAINER  
 92303-01-000 (2)  
 BRACKET  
 140002-01-CHT (8)  
 SCREW  
 G67-06-08B (8)  
 SEAL  
 (A/R)

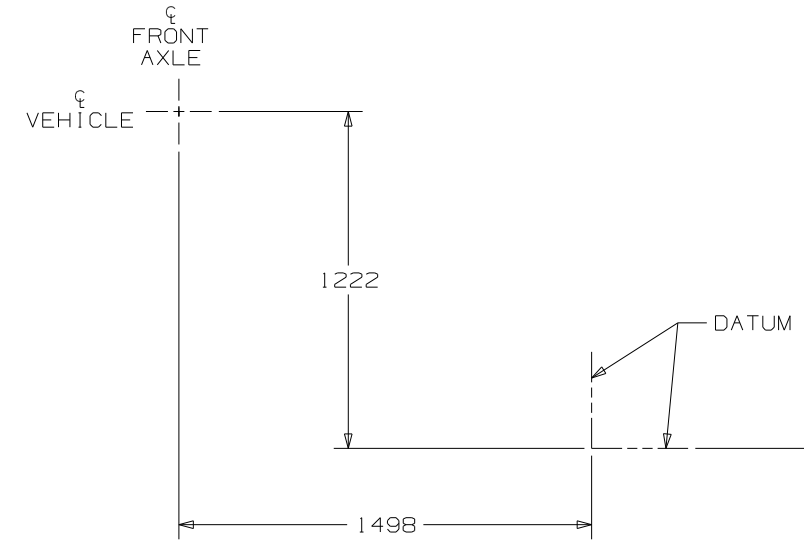
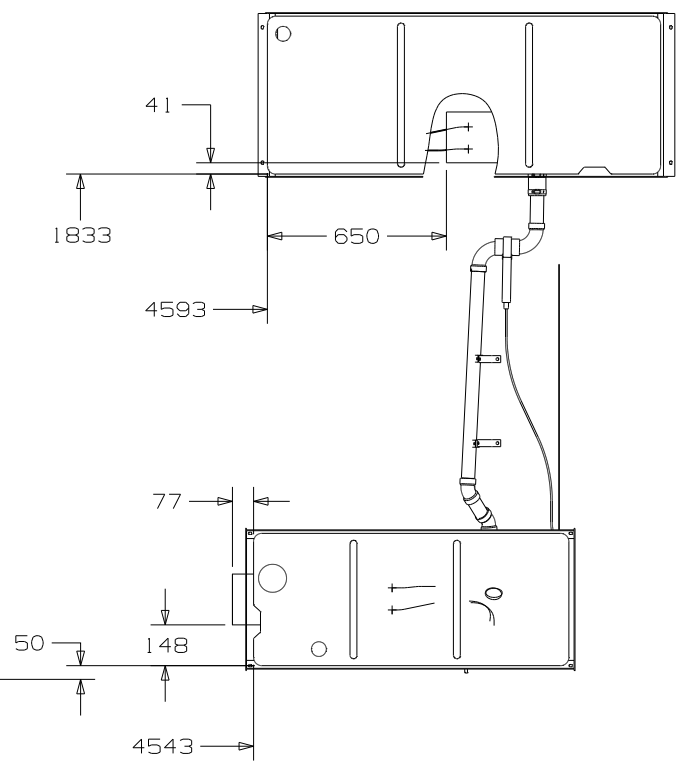
TOILET-AM 5, LOW, W/SPRAYER (464)  
 147421-02-CHT  
 TOILET-STYLE (644)  
 160815-02-CHT  
 SCREW  
 87721-01-000 (6)

SINK-LAVATORY  
 156661-01-CHT  
 STRAINER  
 106116-01-CHT  
 STRAINER GASKET  
 106116-02-CHT  
 SEAL  
 91255-02-000

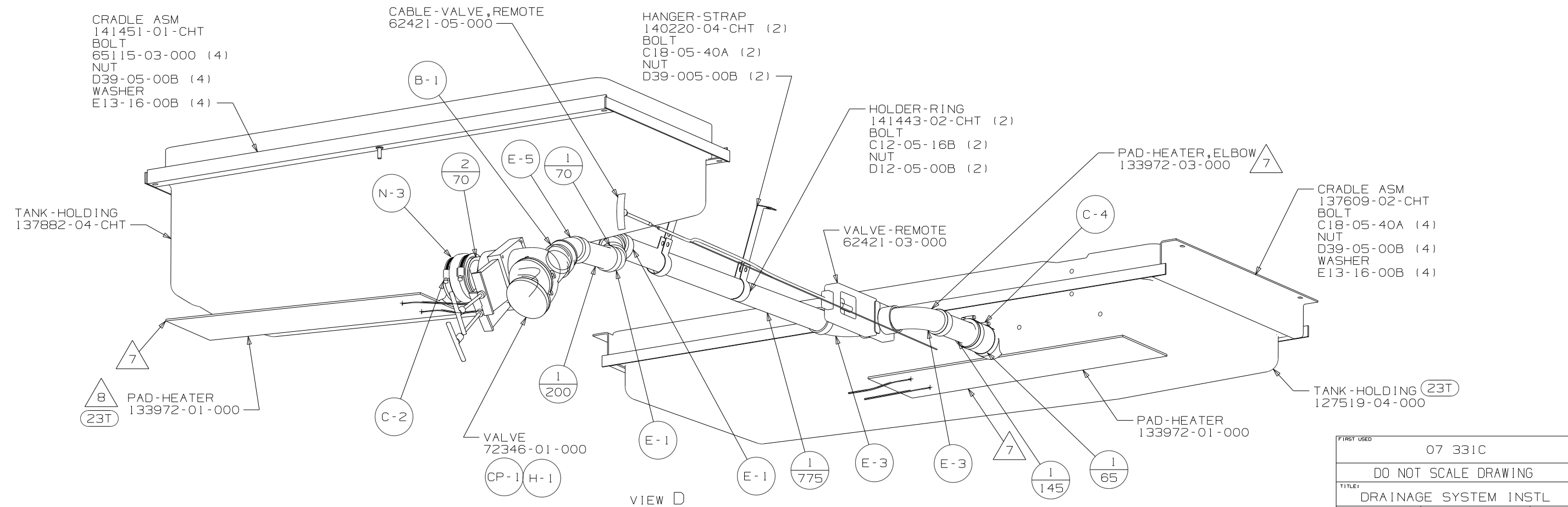
VIEW A

VIEW B

FIRST USED	07 331C	
TITLE	DO NOT SCALE DRAWING	
	DRAINAGE SYSTEM INSTL	
SHEET 2	PART NO	155672
	REV	1 5/15/2007

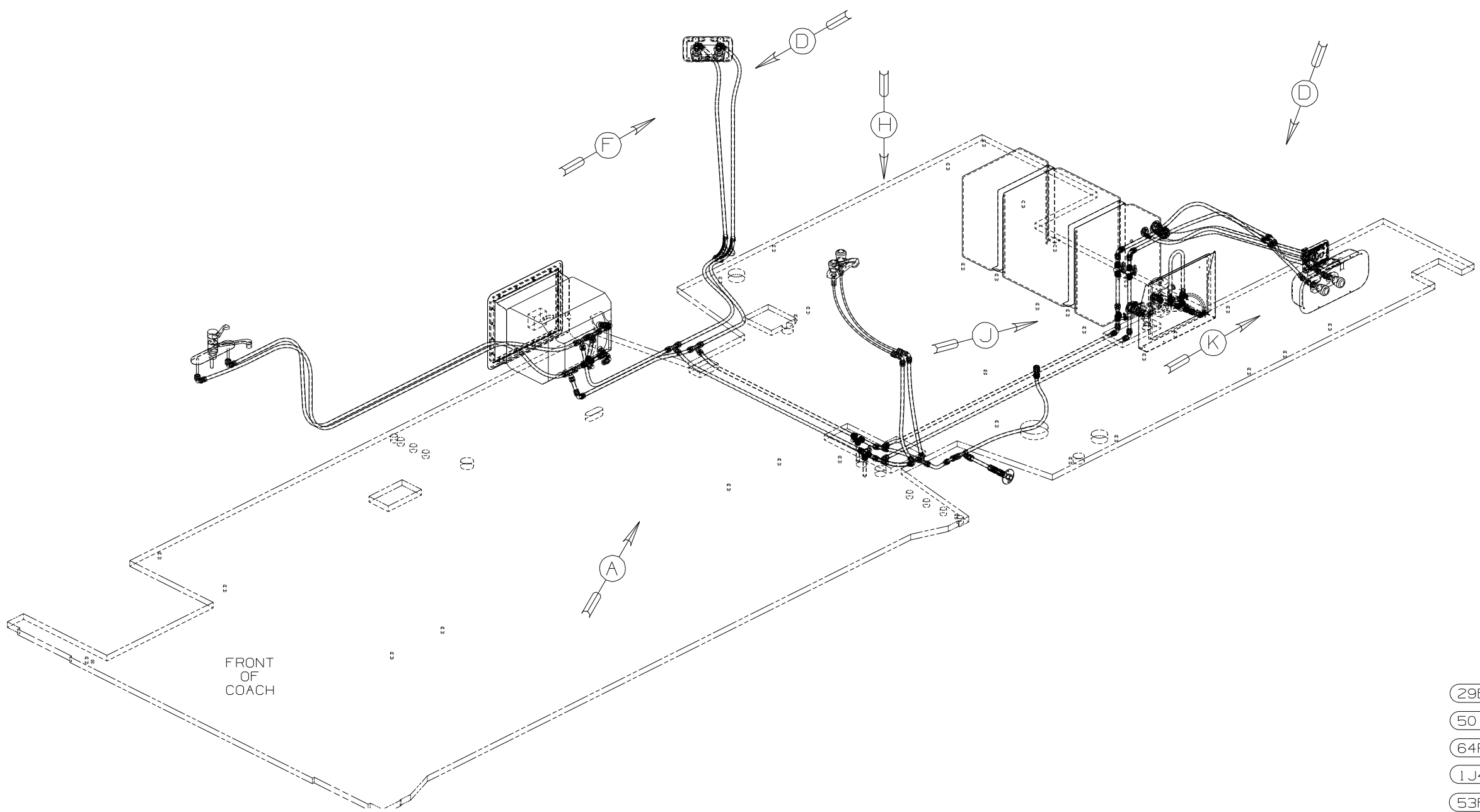


VIEW C



VIEW D

FIRST USED	07 331C
DO NOT SCALE DRAWING	
TITLE	DRAINAGE SYSTEM INSTL
SHEET 3	PART NO 155672 REV



- (29B) WATER PURIFIER
- (50I) WATER PURIFIER-W/O
- (64R) EXTERIOR WASH STATION
- (1J4) EXT WASH STATION-WITHOUT
- (53F) WTR HTR-6 GAL ELEC IGN
- (53Z) WTR HTR-6GAL/110/LP/MTR/AUTO

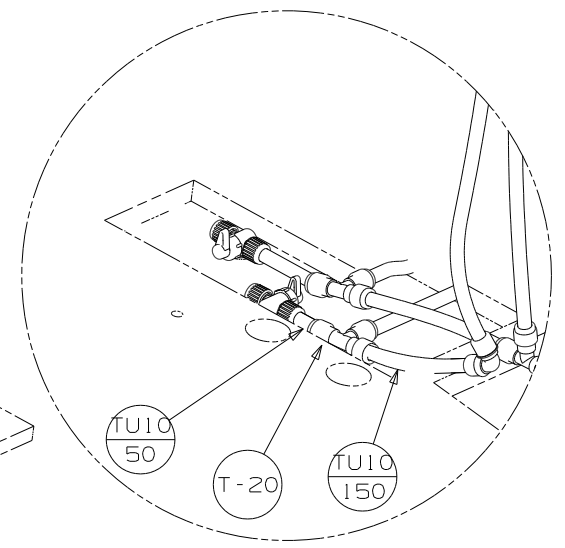
- NOTES:
- 7 ADD PIPE WRAP (LADDER SCRAP) INSULATION HERE.
  - 6 ANTI-RATTLE CLAMP 10495-01-000, SCREW G67-10-12B.
  - 5 ADD TEFLON TAPE 10405-01-000 TO FITTING.
  - 4 ADD TEFLON TAPE 10405-02-000 TO FITTING.
3. ALL TUBING TO BE SECURED AT 1200 INTERVALS MAXIMUM WITH CLAMP 10495-01-000 AND SCREW G67-10-12B OR EQUIVELANT.
  2. TUBING TO BE INSTALLED WITH SUFFICIENT SLOPE TO PROVIDE DRAINAGE TO NEAREST VALVE.
  1. PLASTIC FITTINGS TO BE SEALED WITH SEALANT 94456-01-000.

<b>WINNEBAGO</b>		COPYRIGHT 2006 WINNEBAGO INDUSTRIES, INC.	
DFTR	ORIG. DATE	ALL DIMENSIONS ARE IN MILLIMETERS	
CHKR		FIRST USED	
P.E.		07 331C	
M.E.		UNSPECIFIED TOLERANCES ARE:	
DSNR		MATERIAL:	
		WHOLE DIM (X)	: 3
		ONE-PLACE (X.X)	:
		TWO-PLACE (X.XX)	:
		ANGLE	:
THIRD ANGLE PROJECTION		DO NOT SCALE DRAWING	
TITLE: WATER SYSTEM INSTL			
SHEET 1 OF 4	PART NO	155675	REV
REF:	1 11/29/2006		

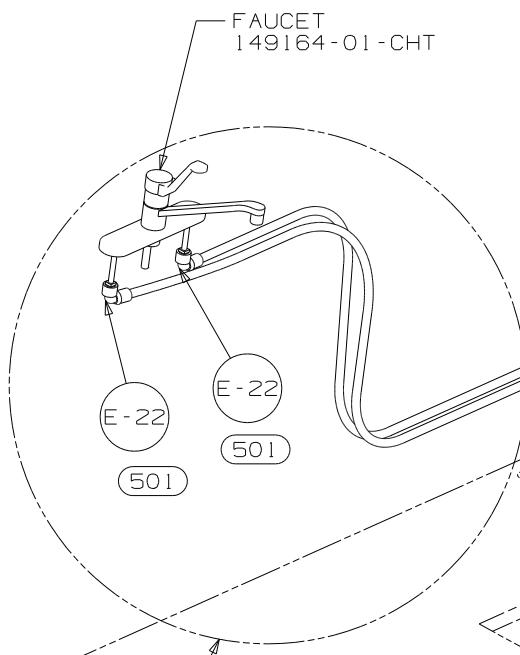
(X-X)  
FOR  
WATER  
CALLOUTS  
SEE DWG NO  
116230-01-000

- (53F) WATER HEATER  
51391-03-000
- (53Z) 145541-02-000  
FLANGE-WATER HEATER  
152239-01-CHT  
DOOR  
78506-01-CHT  
AL EXTR  
151293-51-004 (2)  
151293-51-005 (2)  
SCREW  
G39-10-169 (18)  
SEALANT  
69640-14-000  
112867-01-000  
PLATFORM  
143705-01-000  
CABLE  
76767-03-000  
SCREW  
G11-06-08B (2)

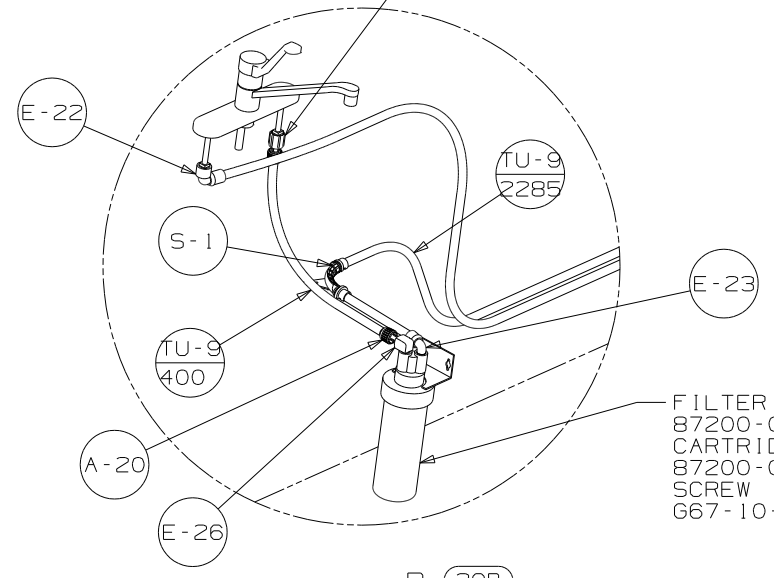
- FAUCET-SHOWER  
79563-03-CHT  
PANEL  
78498-01-CHT  
SCREW  
G11-08-12U (4)  
COVER  
78500-01-CHT (4)



DETAIL C (64R)



DETAIL B

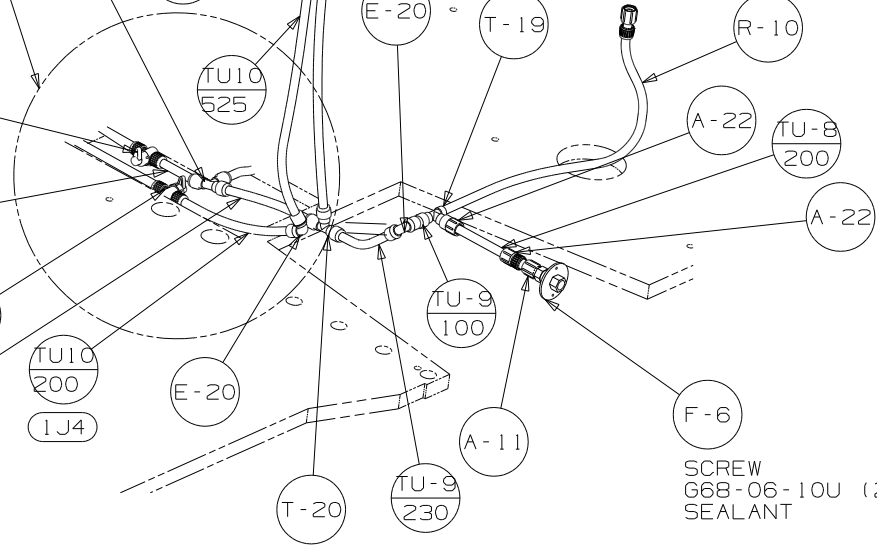


DETAIL B (29B)

- FILTER  
87200-01-000  
CARTRIDGE  
87200-02-000  
SCREW  
G67-10-12U (2)

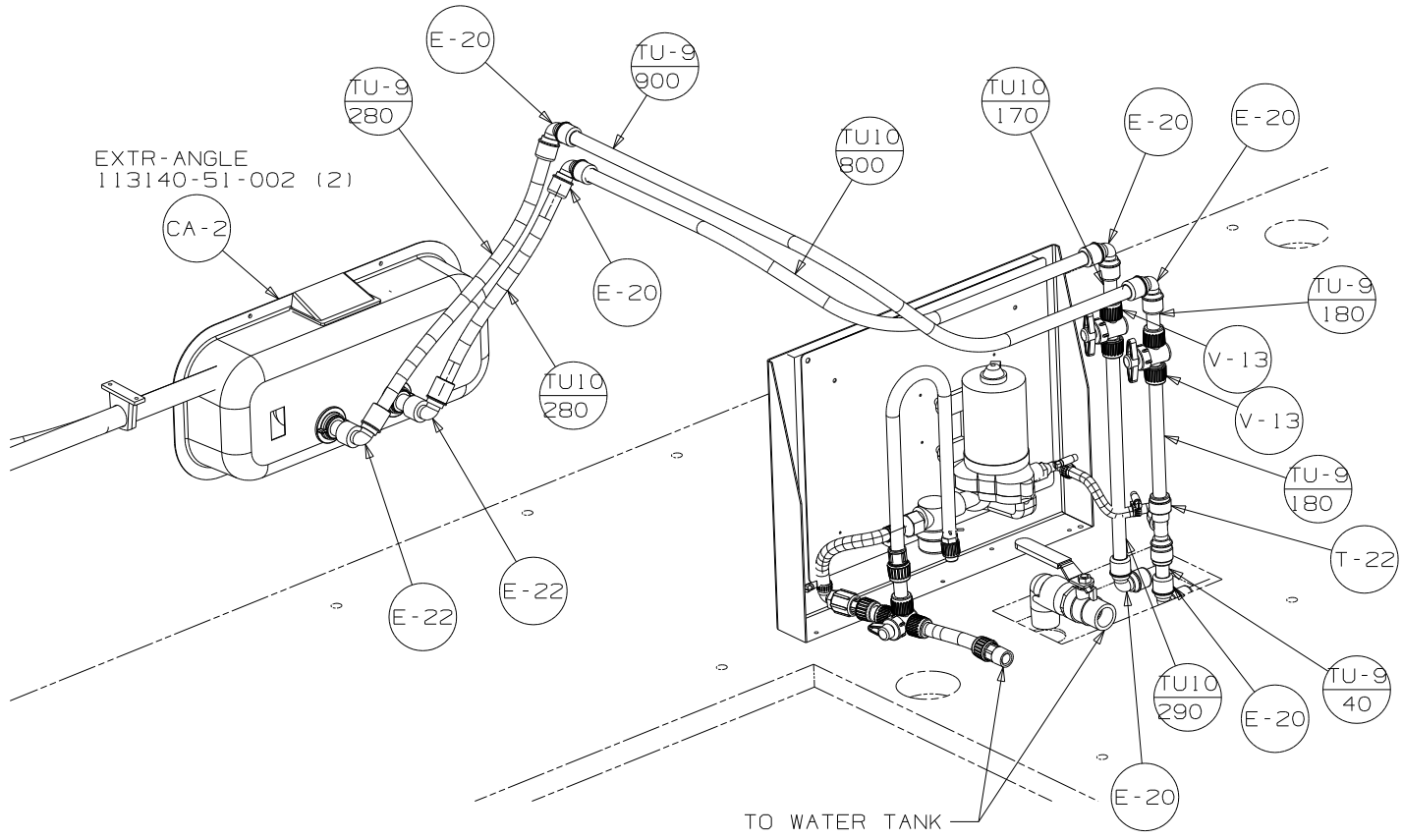
VIEW A (1J4, 29B)

DETAIL C

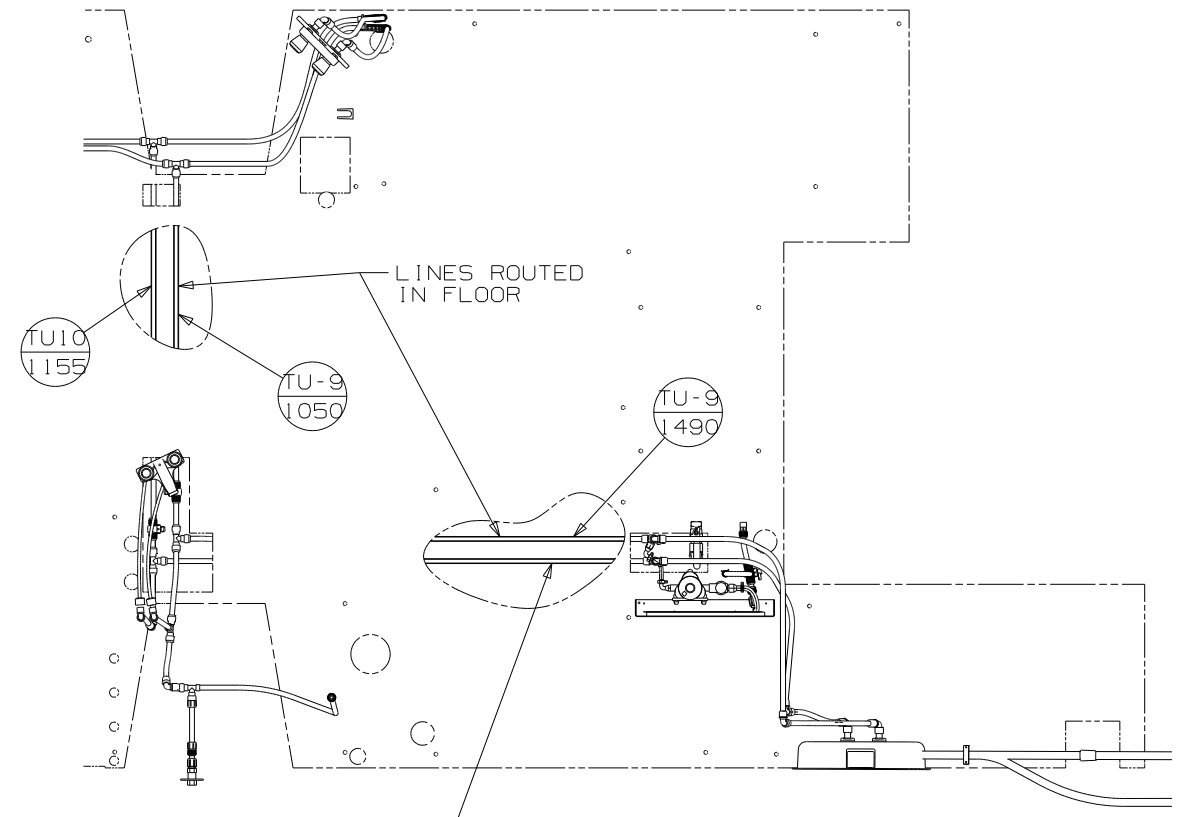


- SCREW  
G68-06-10U (2)  
SEALANT

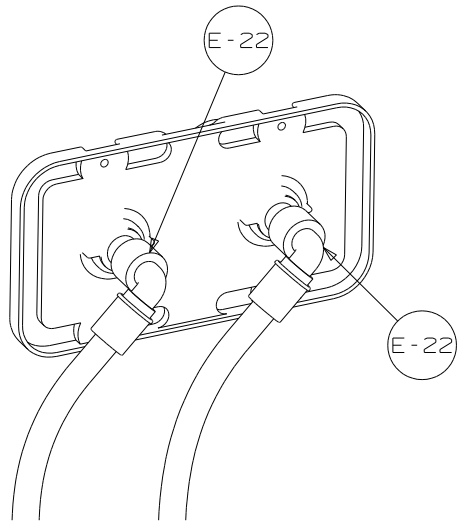
FIRST USED	07 331C
DO NOT SCALE DRAWING	
TITLE:	WATER SYSTEM INSTL
SHEET 2	PART NO 155675 REV



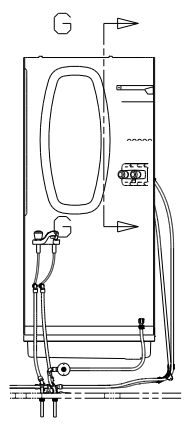
VIEW D  
(64R)



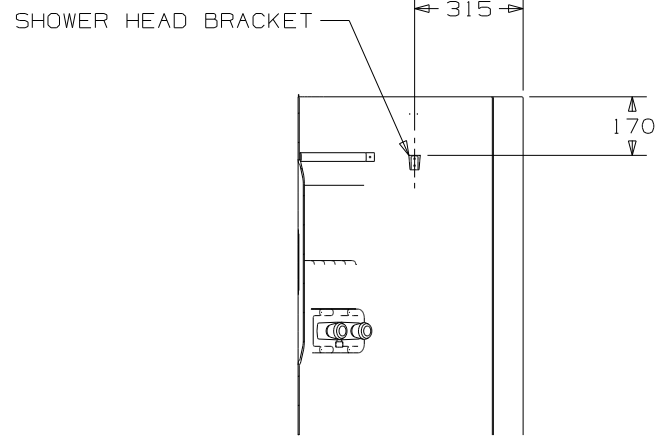
VIEW H



VIEW E



VIEW F



SECTION G-G

FIRST USED	07 331C
TITLE	DO NOT SCALE DRAWING
	WATER SYSTEM INSTL
SHEET 3	PART NO 155675 REV

SCREW  
G11-08-12U (4)  
SEALANT

PANEL-WATER PUMP  
149477-03-CHT  
FOAM-PAD  
140364-05-CHT  
SCREW  
G39-10-16T (4)

TANK ASM-WATER, 31 GAL  
156167-02-000  
STRAP-TANK, WATER  
118994-10-CHT (2)  
BOLT  
C18-05-40A (4)  
NUT  
D39-05-00B (4)  
WASHER  
E13-16-00B (4)

VALVE  
132483-01-000  
ELBOW  
132484-01-000  
TUBE  
74462-01-000  
(100)

BRACKET-MOUNTING, WATER PUMP  
156298-02-CHT

VIEW K  
TANK NOT SHOWN

VIEW J  
(1J4)

FIRST USED	07 331C
DO NOT SCALE DRAWING	
TITLE	WATER SYSTEM INSTL
SHEET 4	PART NO 155675 REV

