

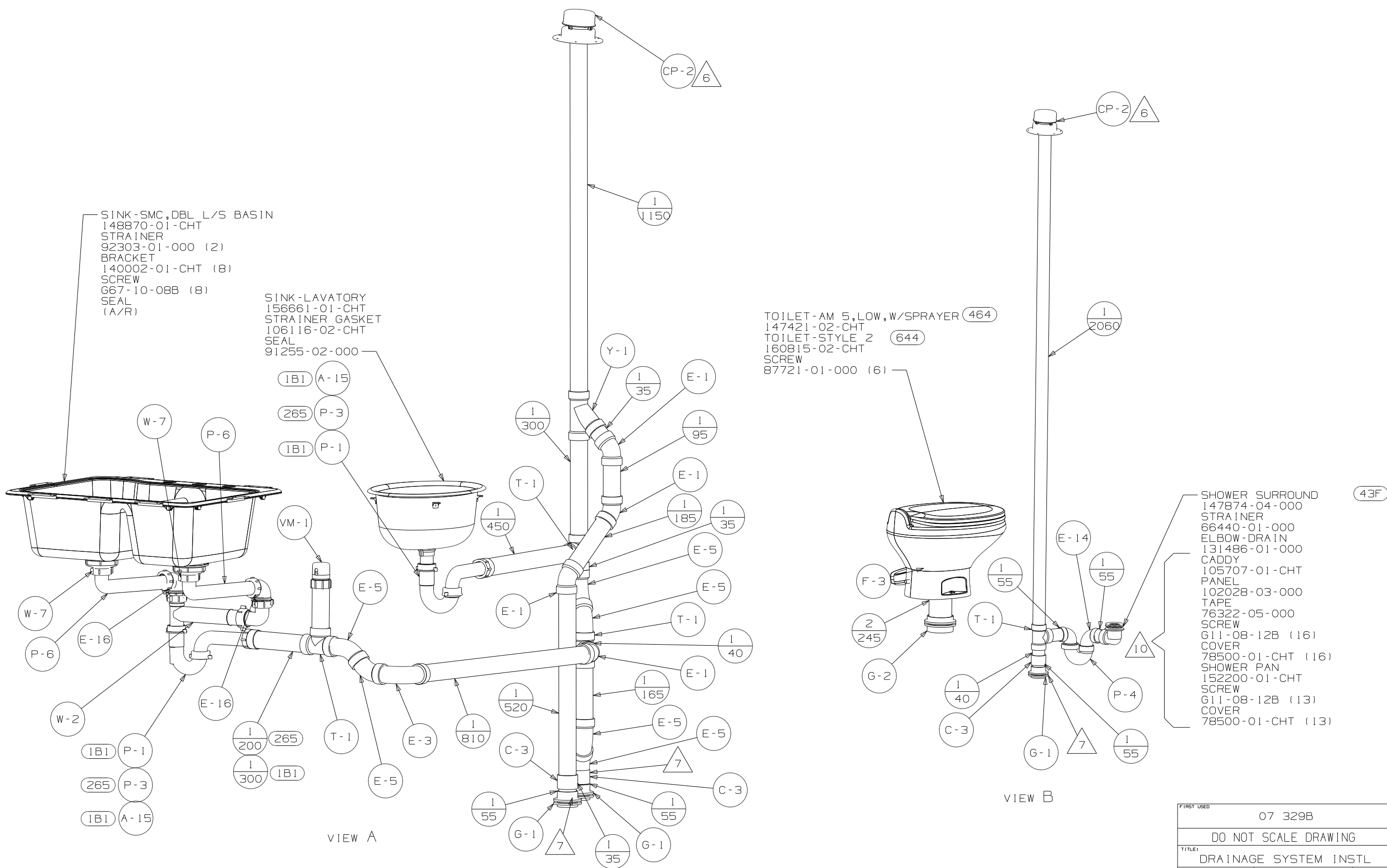
- (464) TOILET
- (644) GREAT ASLASKAN RENTAL PKGE
- (1B1) CODES/STANDARDS-USA
- (265) CODES/STANDARDS-CSA, CMVSS
- (43F) SHOWER SURROUND

- NOTES:
1. SLOPE OF HORIZONTAL PIPING TO BE MIN 6 PER 305 mm.
  2. SLOPE OF TRAP ARM MUST BE 6 PER 305mm.
  3. ALL PIPE AND FITTINGS TO BE ASSEMBLED WITH SOLVENT 4020-01-000 (US), 4020-02-000 (CAN).
  4. ALL EXTERIOR OPENINGS AROUND PIPE TO BE SEALED WITH 110744-01-000.
  5. SEAL AROUND SHOWER WITH SILICONE.
  6. VENT PIPE MUST PROJECT 51 MIN AND 64 MAX ABOVE ROOF FOR PROPER FIT AND FUNCTION.
  7. SECURE VENT TO FLOOR WITH BRACKET 136878-01-CHT CLAMP 62401-02-000, SCREW G67-10-12B.
  8. SECURE PIPES TO CABINET USING WIRE TIE 108046-02-000 AND SCREW G67-10-12B.
  9. SEE WIRING INSTL-BODY, 12V FOR ELECTRICAL CONNECTION.
  10. NOT TO BE USED WITH (43F)

FRONT  
OF  
COACH

(X-X)  
FOR  
DRAINAGE  
CALLOUTS  
SEE DWG NO  
116229-01-000

<b>WINNEBAGO</b>		COPYRIGHT 2007 WINNEBAGO INDUSTRIES, INC.	
DFTR	ORIG. DATE	ALL DIMENSIONS ARE IN MILLIMETERS	
CHKR		FIRST USED	
P.E.		07 329B	
M.E.		UNSPECIFIED TOLERANCES ARE:	
DSNR		MATERIAL:	
		WHOLE DIM (X) :	3
		ONE-PLACE (X.X) :	
		TWO-PLACE (X.XX) :	
		ANGLE :	
		THIRD ANGLE PROJECTION	
DO NOT SCALE DRAWING			
TITLE: DRAINAGE SYSTEM INSTL			
SHEET 1 OF 3	PART NO	156744	REV
REF:	1 5/15/2007		



SINK-SMC, DBL L/S BASIN  
 148870-01-CHT  
 STRAINER  
 92303-01-000 (2)  
 BRACKET  
 140002-01-CHT (8)  
 SCREW  
 G67-10-08B (8)  
 SEAL  
 (A/R)

SINK-LAVATORY  
 156661-01-CHT  
 STRAINER GASKET  
 106116-02-CHT  
 SEAL  
 91255-02-000

TOILET-AM 5, LOW, W/SPRAYER (464)  
 147421-02-CHT  
 TOILET-STYLE 2 (644)  
 160815-02-CHT  
 SCREW  
 87721-01-000 (6)

SHOWER SURROUND  
 147874-04-000  
 STRAINER  
 66440-01-000  
 ELBOW-DRAIN  
 131486-01-000  
 CADDY  
 105707-01-CHT  
 PANEL  
 102028-03-000  
 TAPE  
 76322-05-000  
 SCREW  
 G11-08-12B (16)  
 COVER  
 78500-01-CHT (16)  
 SHOWER PAN  
 152200-01-CHT  
 SCREW  
 G11-08-12B (13)  
 COVER  
 78500-01-CHT (13)

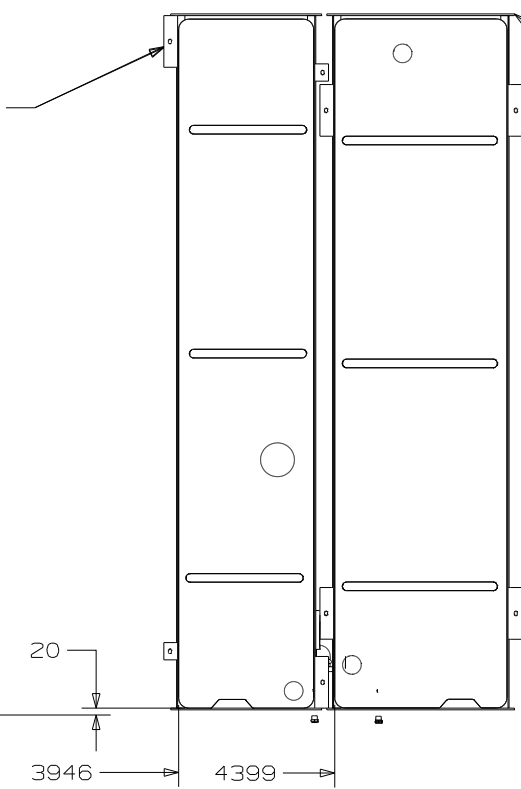
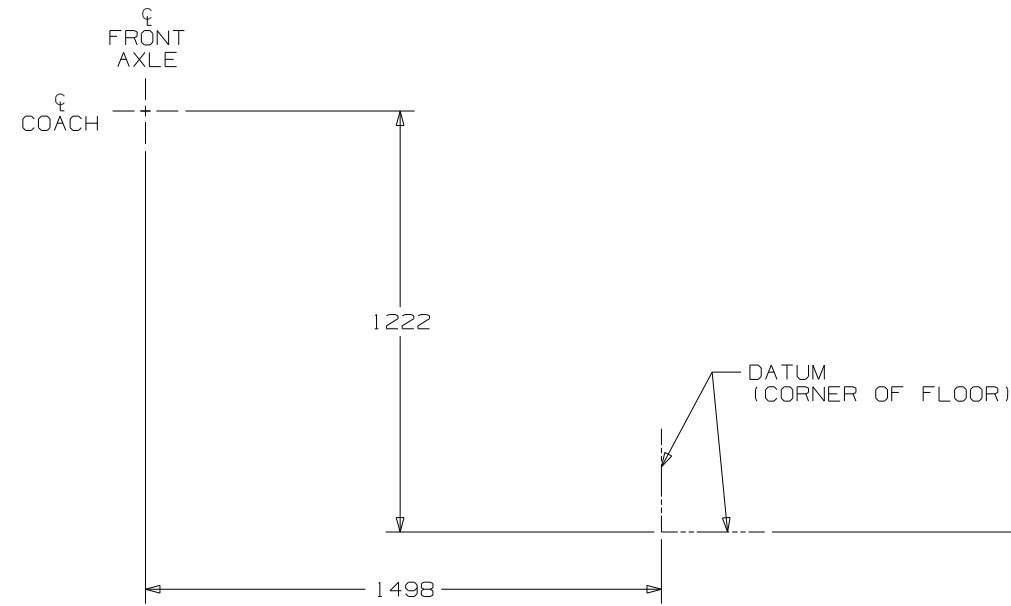
VIEW A

VIEW B

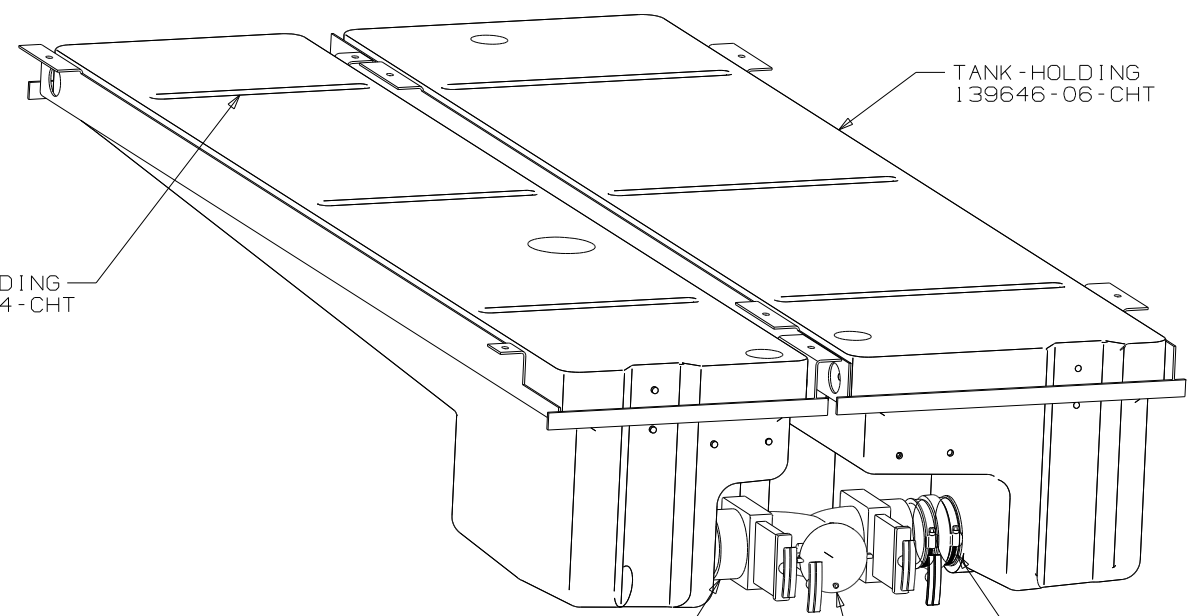
FIRST USED	07 329B
DO NOT SCALE DRAWING	
TITLE:	DRAINAGE SYSTEM INSTL
SHEET 2	PART NO 156744 REV

CRADLE ASM  
139596-01-CHT  
BOLT  
C18-05-40A (4)  
NUT  
D13-05-00B (4)

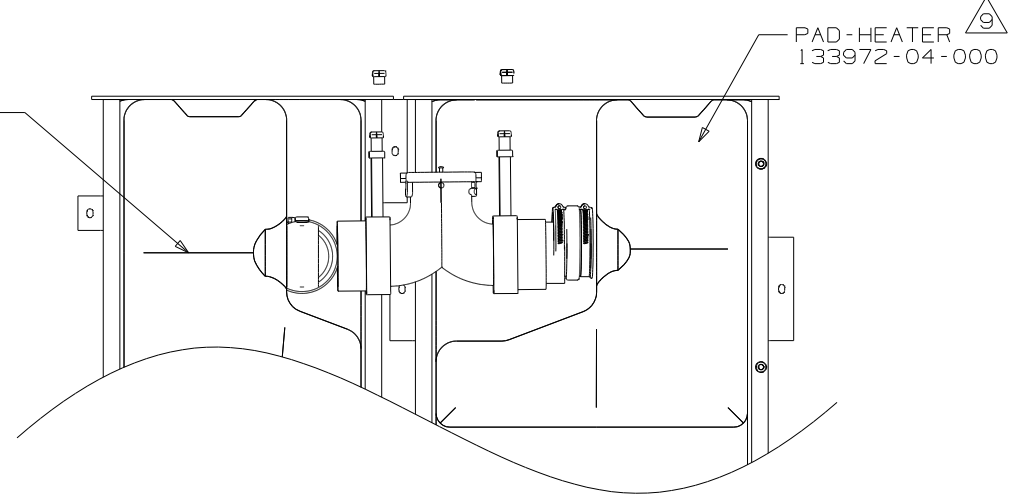
CRADLE ASM  
139597-01-CHT  
BOLT  
C18-05-40A (4)  
NUT  
D13-05-00B (4)



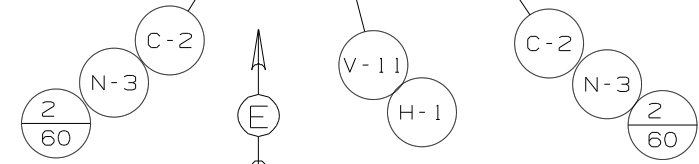
VIEW D



PAD-HEATER 133972-04-000

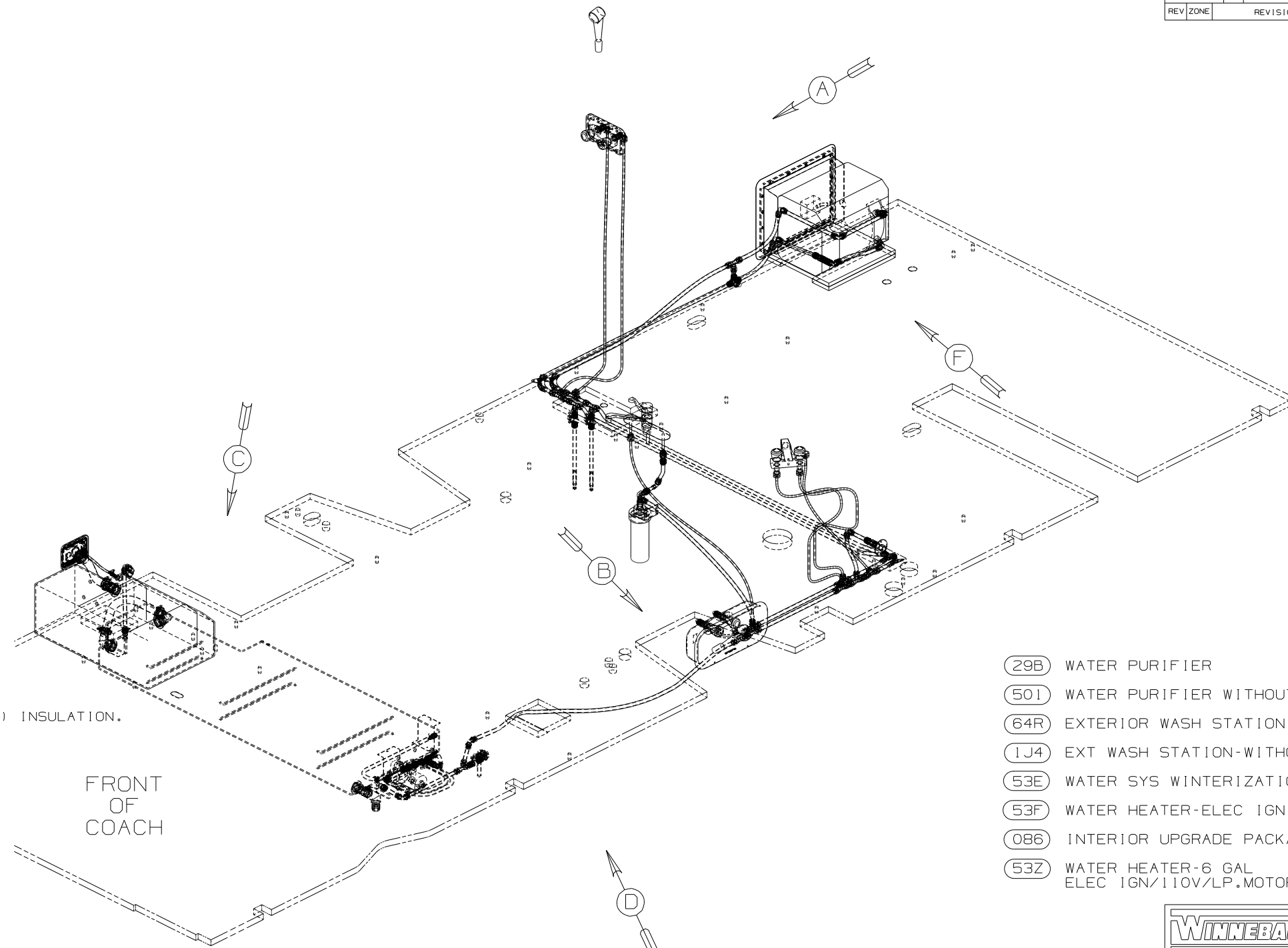


VIEW E



VIEW C

FIRST USED	07 329B
DO NOT SCALE DRAWING	
TITLE	DRAINAGE SYSTEM INSTL
SHEET 3	PART NO 156744 REV



- 12 ADD PIPE WRAP (LADDER SCRAP 110157-02-000) INSULATION.
- 11 LABEL THE HOT AND COLD SUPPLY TUBES.
- 10 TAPE FITTING TO TUBE BEFORE CABINET SET TO PREVENT FITTING FROM MOVING.
- 9 THE BOLTS ON THE FRONT SIDE OF THE WATER TANK ARE TO BE INSTALLED WITH THE HEAD OF THE BOLT ON THE TOP SIDE OF THE FLOOR.
- 8 ATTACH WASHER-PLASTIC 87080-13-CHT WITH TAPE-DOUBLE 123816-03-000 ON BOTTOM SIDE OF LOWER FLOOR.
- 7 ATTACH WASHER-PLASTIC 87080-11-CHT WITH TAPE-DOUBLE 123816-03-000 ON BOTTOM SIDE OF COMPARTMENT.
- 6 ADD TEFLON TAPE 10405-01-000 TO FITTING.
- 5 ADD TEFLON TAPE 10405-03-000 TO FITTING.
- 4 ADD TEFLON TAPE 10405-02-000 TO FITTING.

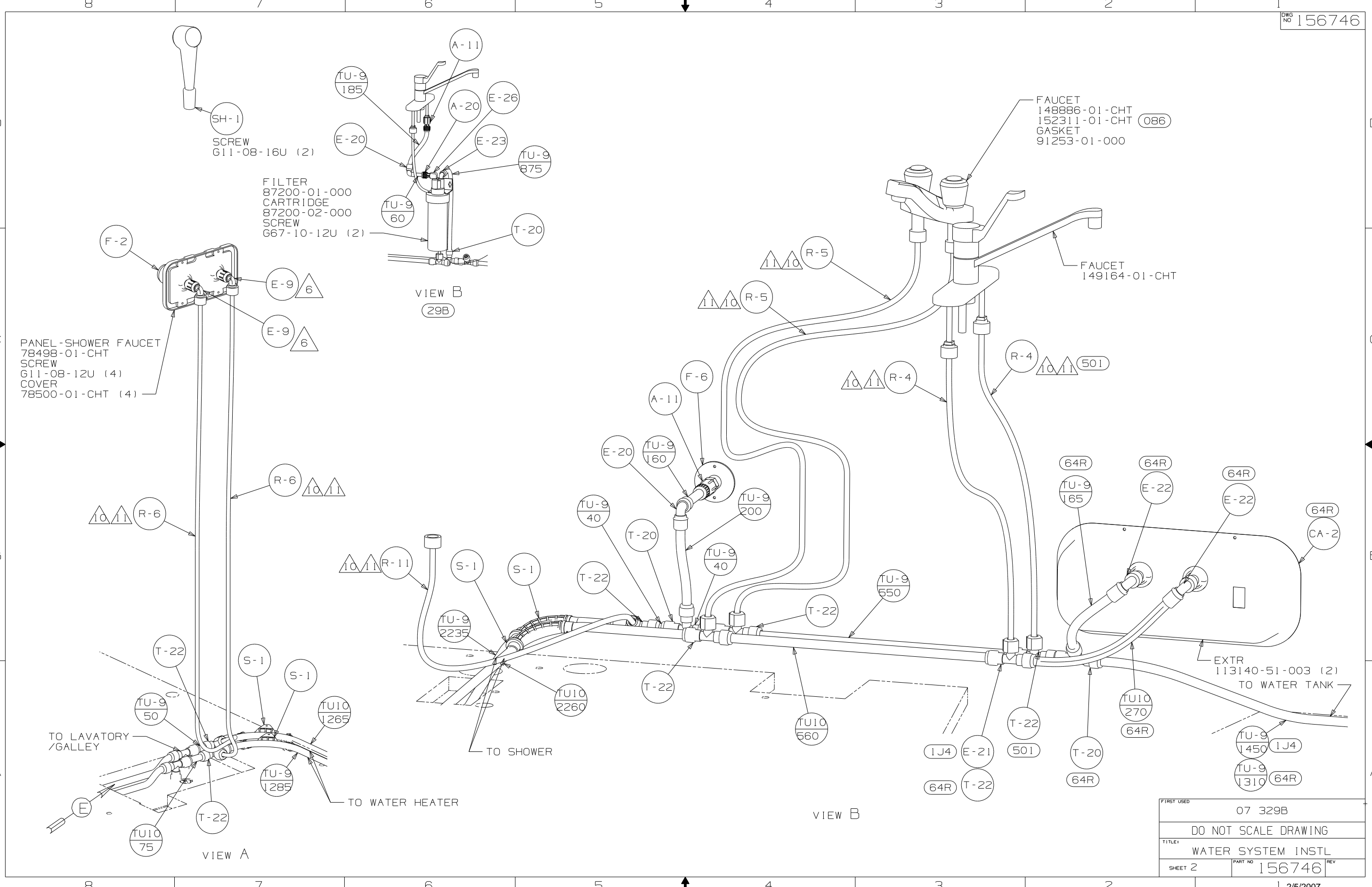
- 3. ALL TUBING TO BE SECURED AT 1200 INTERVALS MAXIMUM WITH CLAMP 10495-01-000 OR CLIP 9151-01-000 AND SCREW G67-10-12B.
- 2. TUBING TO BE INSTALLED WITH SUFFICIENT SLOPE TO PROVIDE DRAINAGE TO NEAREST VALVE.
- 1. PLASTIC FITTINGS TO BE SEALED WITH SEALANT 84456-01-000.

NOTES:

- (29B) WATER PURIFIER
- (501) WATER PURIFIER WITHOUT
- (64R) EXTERIOR WASH STATION
- (1J4) EXT WASH STATION-WITHOUT
- (53E) WATER SYS WINTERIZATION PKG
- (53F) WATER HEATER-ELEC IGNITION
- (086) INTERIOR UPGRADE PACKAGE
- (53Z) WATER HEATER-6 GAL ELEC IGN/110V/LP.MOTOR/AID/AUTOHEATER

(X-X)  
FOR WATER CALLOUTS SEE DWG NO 116230-01-000

<b>WINNEBAGO</b>		COPYRIGHT 2007 WINNEBAGO INDUSTRIES, INC.	
DFTR	ORIG. DATE	ALL DIMENSIONS ARE IN MILLIMETERS	
CHKR		FIRST USED	
P.E.		07 329B	
M.E.		UNSPECIFIED TOLERANCES ARE:	
DSNR		MATERIAL:	
		WHOLE DIM (X)	: 7
		ONE-PLACE (X.X)	:
		TWO-PLACE (X.XX)	:
		ANGLE	:
THIRD ANGLE PROJECTION		DO NOT SCALE DRAWING	
TITLE: WATER SYSTEM INSTL			
SHEET 1 OF 4	PART NO	156746	REV
REF:	1 2/5/2007		



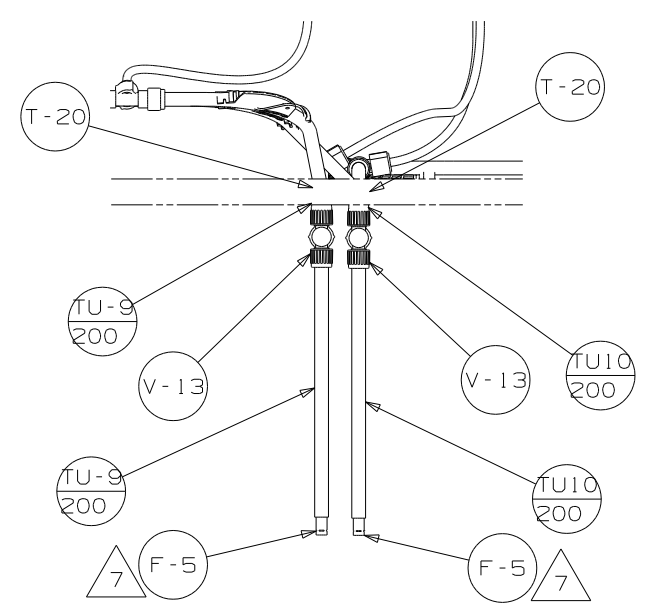
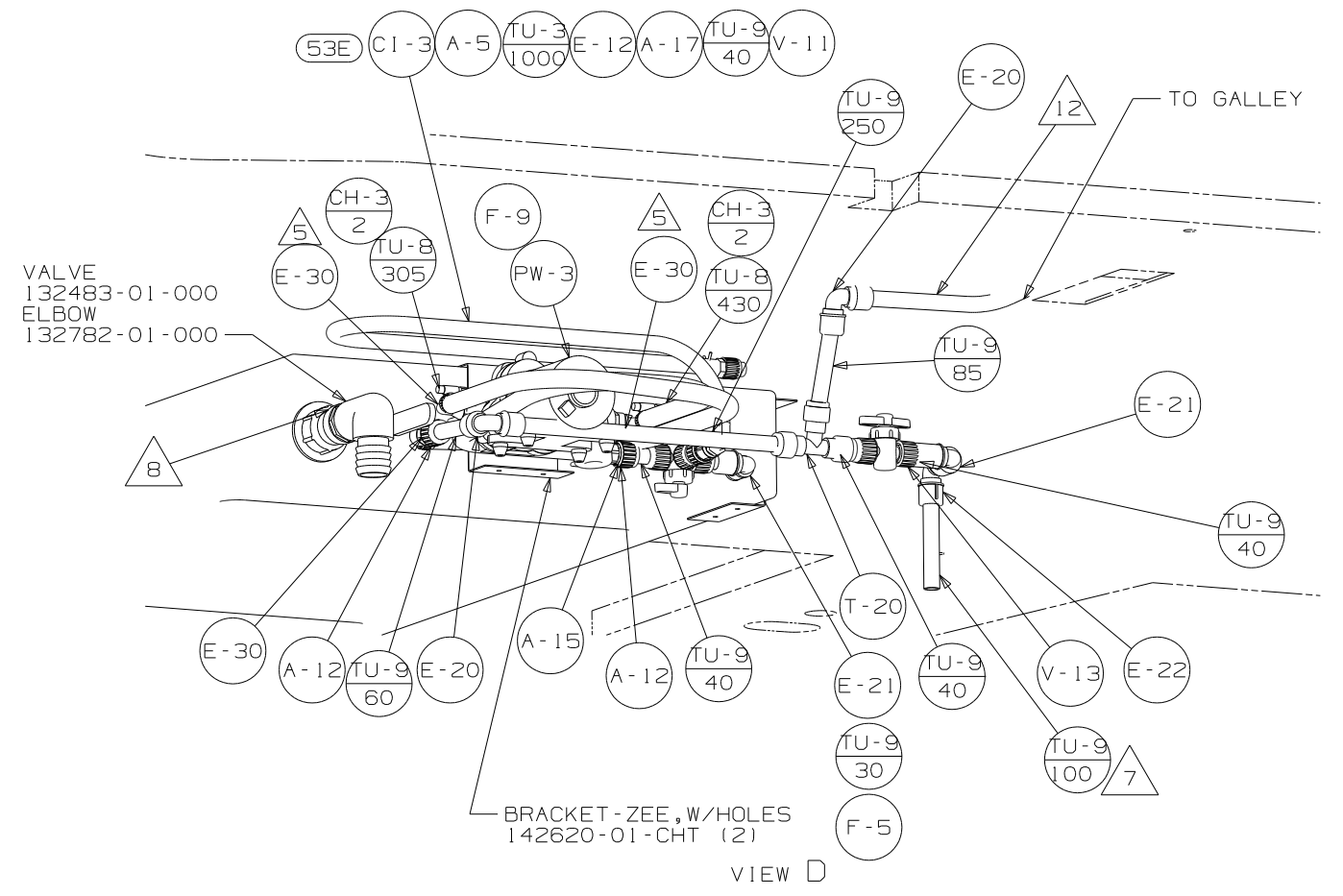
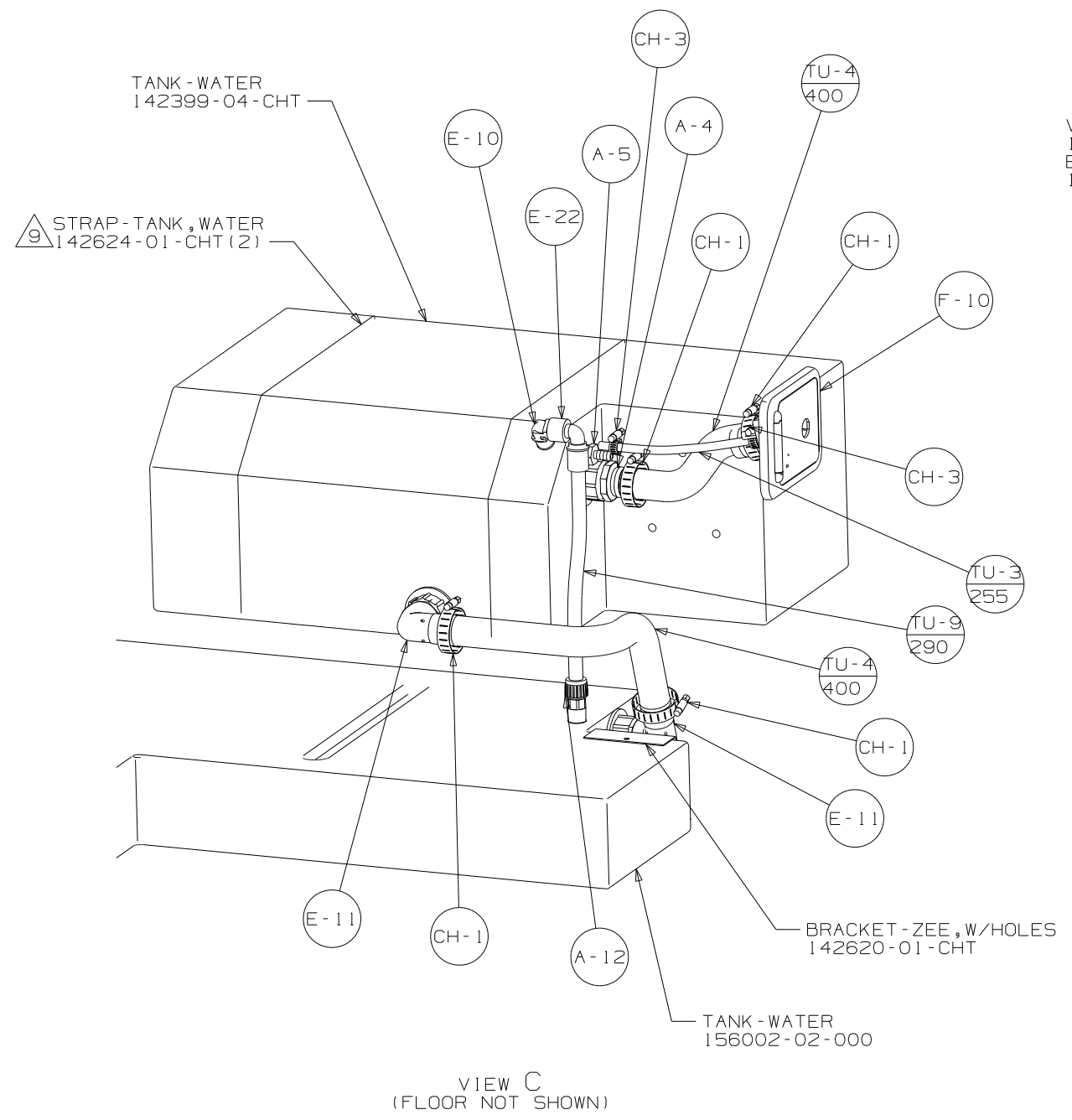
PANEL-SHOWER FAUCET  
78498-01-CHT  
SCREW  
G11-08-12U (4)  
COVER  
78500-01-CHT (4)

FILTER  
87200-01-000  
CARTRIDGE  
87200-02-000  
SCREW  
G67-10-12U (2)

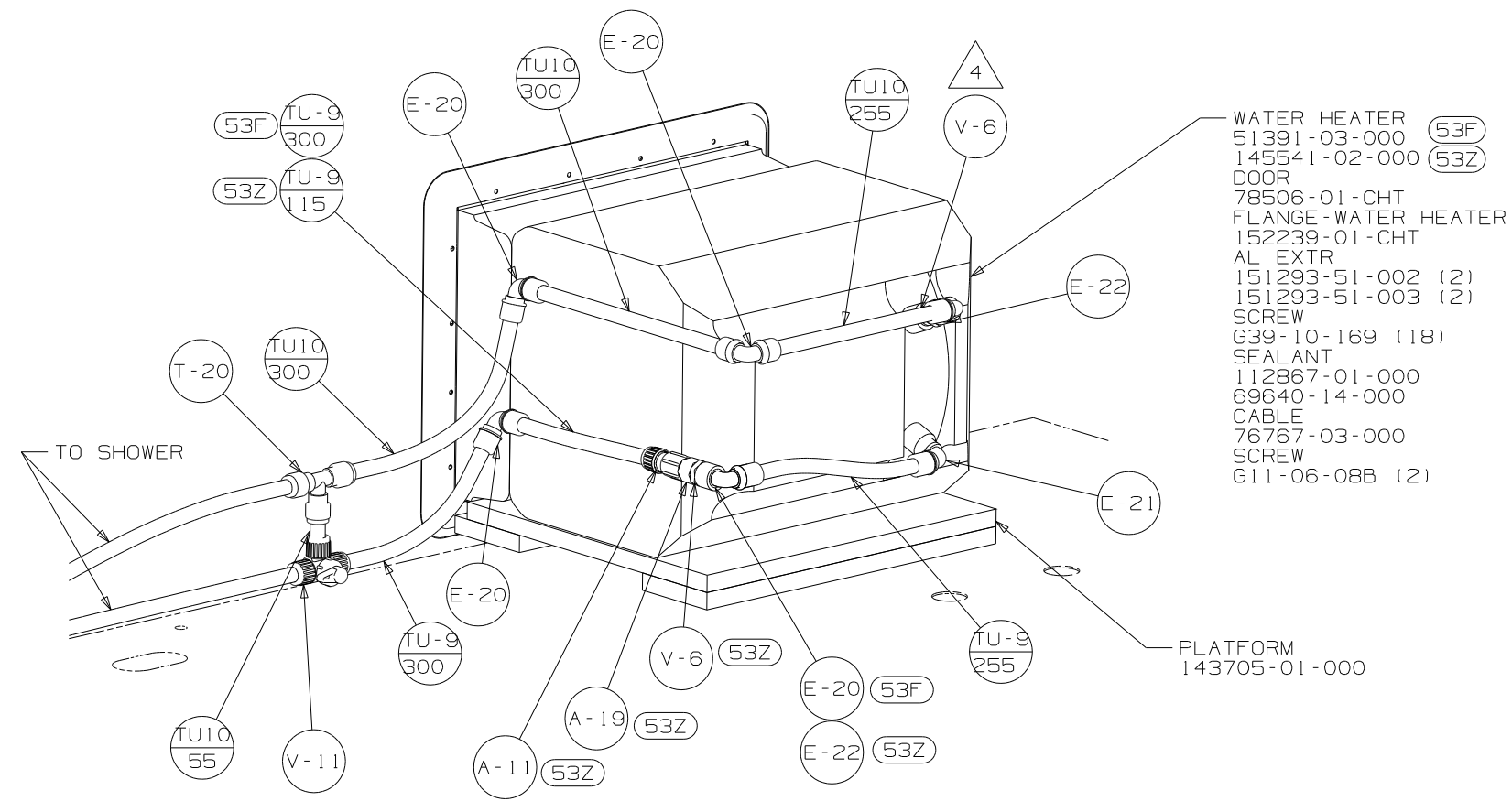
FAUCET  
148886-01-CHT  
152311-01-CHT (086)  
GASKET  
91253-01-000

EXTR  
113140-51-003 (2)  
TO WATER TANK

FIRST USED	07 329B	
TITLE	DO NOT SCALE DRAWING	
TITLE	WATER SYSTEM INSTL	
SHEET 2	PART NO	156746
		REV



FIRST USED	07 329B		
TITLE	DO NOT SCALE DRAWING		
SHEET 3	PART NO	156746	REV
			1 2/5/2007



VIEW F

- WATER HEATER 51391-03-000 (53F)
- 145541-02-000 (53Z)
- DOOR 78506-01-CHT
- FLANGE-WATER HEATER 152239-01-CHT
- AL EXTR 151293-51-002 (2)
- 151293-51-003 (2)
- SCREW 639-10-169 (18)
- SEALANT 112867-01-000
- 69640-14-000
- CABLE 76767-03-000
- SCREW 611-06-08B (2)
- PLATFORM 143705-01-000

FIRST USED	07 329B
TITLE	DO NOT SCALE DRAWING
SHEET 4	PART NO 156746 REV
1 2/5/2007	