



**DANGER**

**Danger of electrical shock, burns or death.** Always remove all power sources before attempting any repair, service or diagnostic work. Power can be present from shore power, generator, inverter or battery. All power sources must be disabled and secured before performing any service.

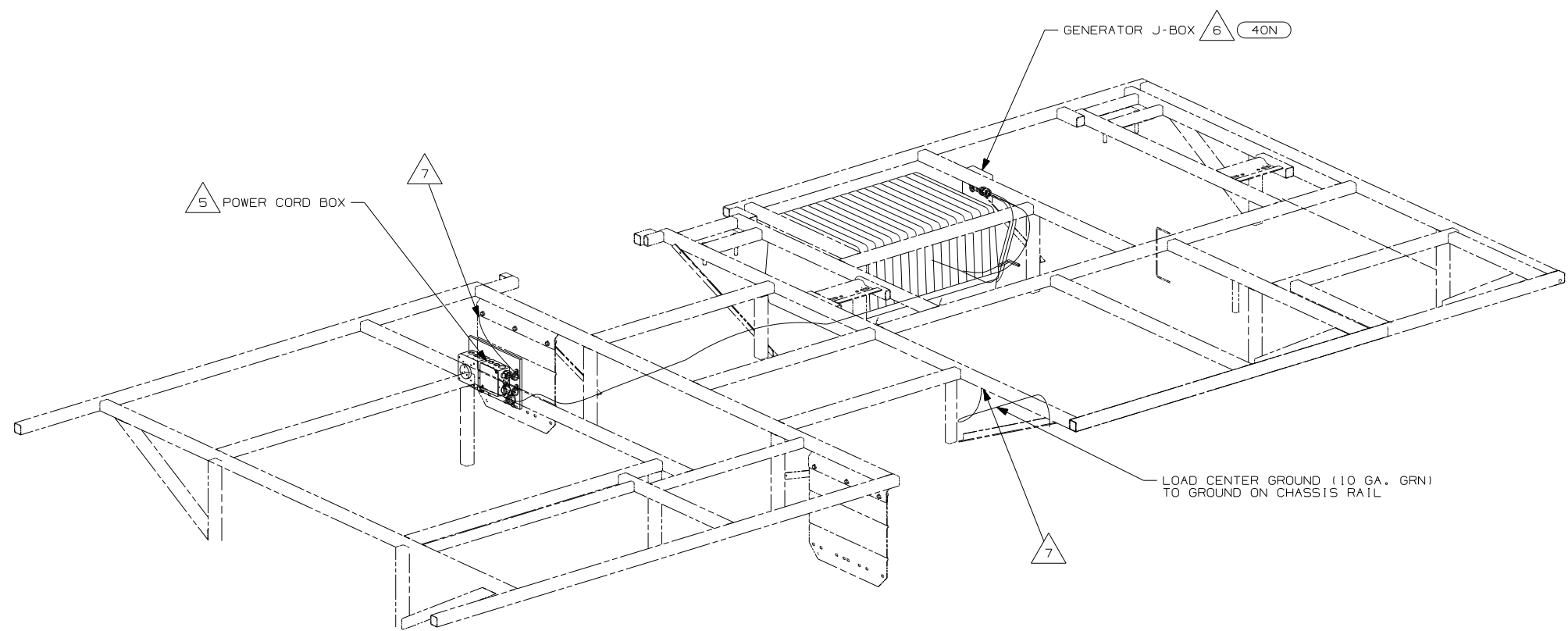


**CAUTION**

If you lack the skills, tools or equipment to perform diagnostic or repair work leave such work to an authorized Winnebago Industries dealer or other qualified shop.

| DRAWING NO. | FEATURE     |
|-------------|-------------|
| 159520-01   | -----       |
| 159520-11   | (1B1) (12D) |
| 159520-15   | (265) (12D) |

|          |                 |                  |
|----------|-----------------|------------------|
| RELEASE  | REV DATE<br>A   | DWG NO<br>159520 |
| REV ZONE | REVISION RECORD | DATE DFR-ORIG    |



- (40N) GEN-4.0KW-ONANGAS-MICROQUIET
- (12D) ELECTRICAL SYSTEM 30 AMP
- (265) CODES/STANDARDS-CSA/CMVSS
- (1B1) CODES/STANDARDS USA

(1B1) (265) (12D)



|      |                                   |
|------|-----------------------------------|
| DFTR | ORIG. DATE                        |
| CHKR | ALL DIMENSIONS ARE IN MILLIMETERS |
| P.E. |                                   |
| M.E. | FIRST USED                        |
| DSNR | 07 325F                           |

|                             |           |
|-----------------------------|-----------|
| UNSPECIFIED TOLERANCES ARE: | MATERIAL: |
| WHOLE DIM (X) : 3           |           |
| ONE-PLACE (X.X) : 1.5       |           |
| TWO-PLACE (X.XX) : 0.50     |           |
| ANGLE : 1°                  |           |
| THIRD ANGLE PROJECTION      |           |

|                      |                         |
|----------------------|-------------------------|
| DO NOT SCALE DRAWING |                         |
| TITLE:               | WIRING INSTL-BODY, 110V |
| SHEET 1 OF 3         | PART NO 159520 REV      |
| REF:                 | 1 10/16/2006            |

- NOTES:
- 7 WIRE PASSES THROUGH FLOOR IN THIS AREA.
  - 6 SEE GENERATOR INSTALLATION FOR ADDITIONAL INFORMATION.
  - 5 FOR MORE INFORMATION SEE LOAD CENTER/ATS ASM.
  - 4. FOR MORE INFORMATION SEE WIRING DIAGRAM-BODY, 110V.
  - 3. ALL GROUND WIRE TO BE COVERED WITH TUBING 8041-02-000.
  - 2. ALL 110V WIRE TO BE CLAMPED WITH CLAMP 10497-05-000 WITHIN 200MM OF OUTLET BOXES, USE SCREW G67-10-12B.
  - 1. ALL WIRES TO BE SECURED WITH CLAMP 10495-01-000 OR CLIP 80734-01-000 EVERY 600MM. USE SCREW G67-10-12B UNLESS OTHERWISE SPECIFIED.

FOR ELECTRICAL TORQUE SPECIFICATIONS SEE DWG NO. 128783-01-000

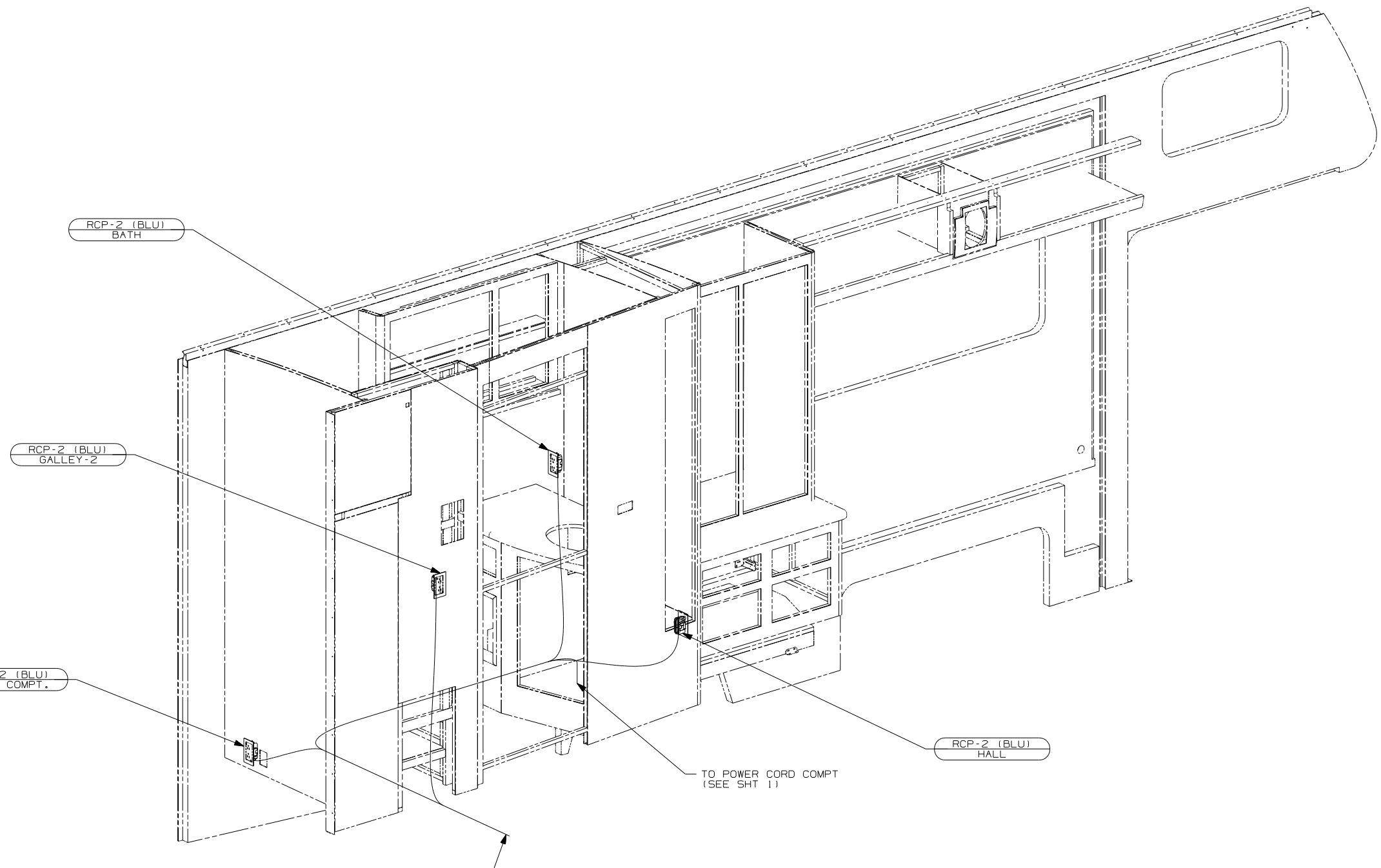
FOR ELECTRICAL CALLOUTS SEE DWG NO. 121339-01-000

D  
C  
B  
A

D  
C  
B  
A

8 7 6 5 4 3 2 1

8 7 6 5 4 3 2 1



- NOTES:
1. ALL WIRES TO BE SECURED WITH CLAMP 10495-01-000 OR CLIP 80734-01-000 EVERY 600MM. USE SCREW G67-10-12B UNLESS OTHERWISE SPECIFIED.
  2. ALL 110V WIRE TO BE CLAMPED WITH CLAMP 10497-05-000 WITHIN 200MM OF OUTLET BOXES, USE SCREW G67-10-12B.
  3. ALL GROUND WIRE TO BE COVERED WITH TUBING 8041-02-000.

- 12D ELECTRICAL SYSTEM 30 AMP
- 265 CODES/STANDARDS-CSA/CMVSS
- 1B1 CODES/STANDARDS USA

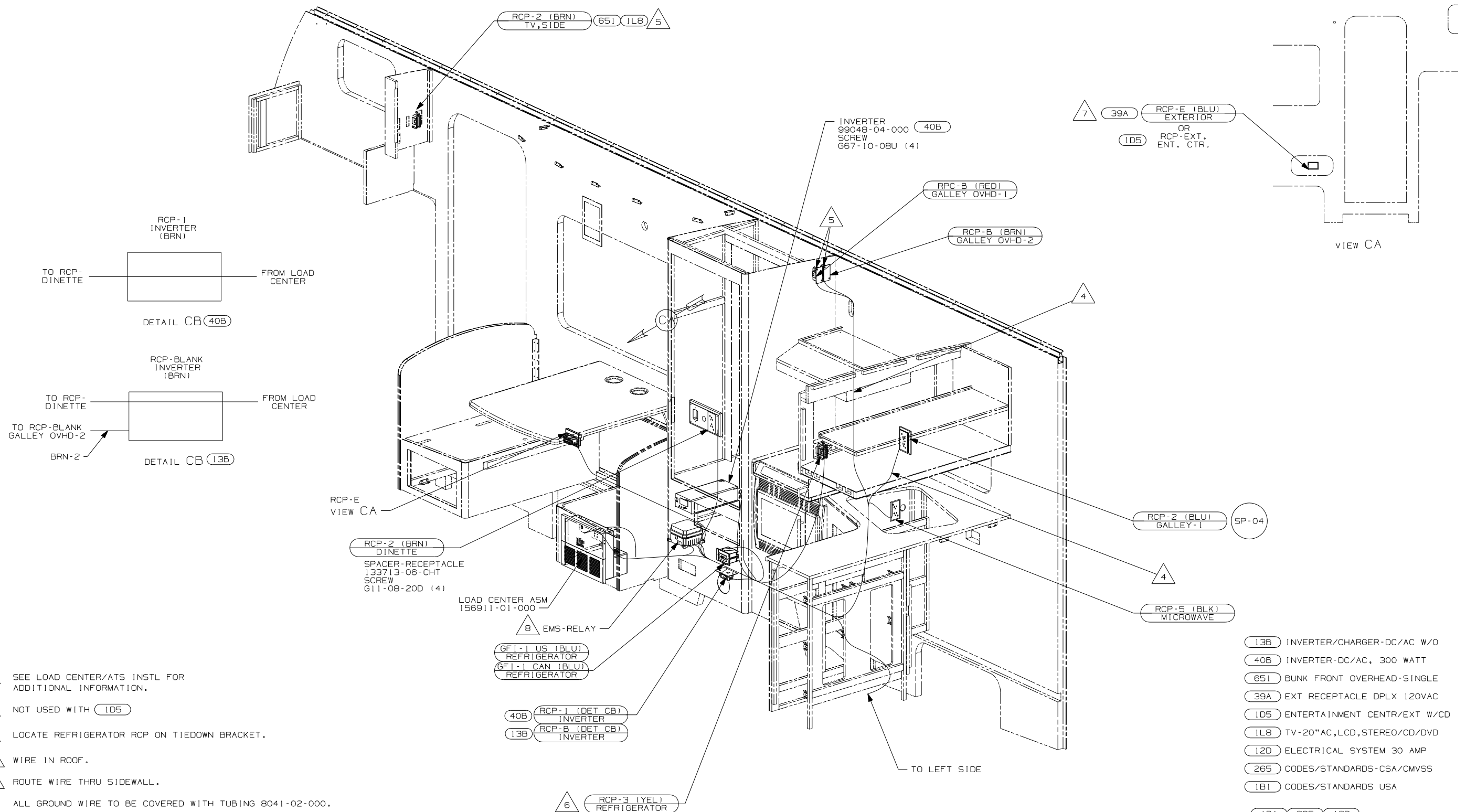
1B1 265 12D

|                         |                    |
|-------------------------|--------------------|
| FIRST USED              |                    |
| 07 325F                 |                    |
| DO NOT SCALE DRAWING    |                    |
| TITLE:                  |                    |
| WIRING INSTL-BODY, 110V |                    |
| SHEET 2                 | PART NO 159520 REV |

FOR ELECTRICAL TORQUE SPECIFICATIONS SEE DWG NO. 128783-01-000

FOR ELECTRICAL CALLOUTS SEE DWG NO. 121339-01-000





- 8 SEE LOAD CENTER/ATS INSTL FOR ADDITIONAL INFORMATION.
  - 7 NOT USED WITH 1D5
  - 6 LOCATE REFRIGERATOR RCP ON TIEDOWN BRACKET.
  - 5 WIRE IN ROOF.
  - 4 ROUTE WIRE THRU SIDEWALL.
3. ALL GROUND WIRE TO BE COVERED WITH TUBING 8041-02-000.
  2. ALL 110V WIRE TO BE CLAMPED WITH CLAMP 10497-05-000 WITHIN 200MM OF OUTLET BOXES, USE SCREW G67-10-12B.
  1. ALL WIRES TO BE SECURED WITH CLAMP 10495-01-000 OR CLIP 80734-01-000 EVERY 600MM. USE SCREW G67-10-12B UNLESS OTHERWISE SPECIFIED.

NOTES:

- 13B INVERTER/CHARGER-DC/AC W/O
- 40B INVERTER-DC/AC, 300 WATT
- 651 BUNK FRONT OVERHEAD-SINGLE
- 39A EXT RECEPTACLE DPLX 120VAC
- 1D5 ENTERTAINMENT CENTR/EXT W/CD
- 1L8 TV-20"AC,LCD,STEREO/CD/DVD
- 12D ELECTRICAL SYSTEM 30 AMP
- 265 CODES/STANDARDS-CSA/CMVSS
- 1B1 CODES/STANDARDS USA

FOR ELECTRICAL TORQUE SPECIFICATIONS SEE DWG NO. 128783-01-000

FOR ELECTRICAL CALLOUTS SEE DWG NO. 121339-01-000

|            |                         |
|------------|-------------------------|
| FIRST USED | 07 325F                 |
| TITLE      | DO NOT SCALE DRAWING    |
|            | WIRING INSTL-BODY, 110V |
| SHEET 3    | PART NO 159520          |