

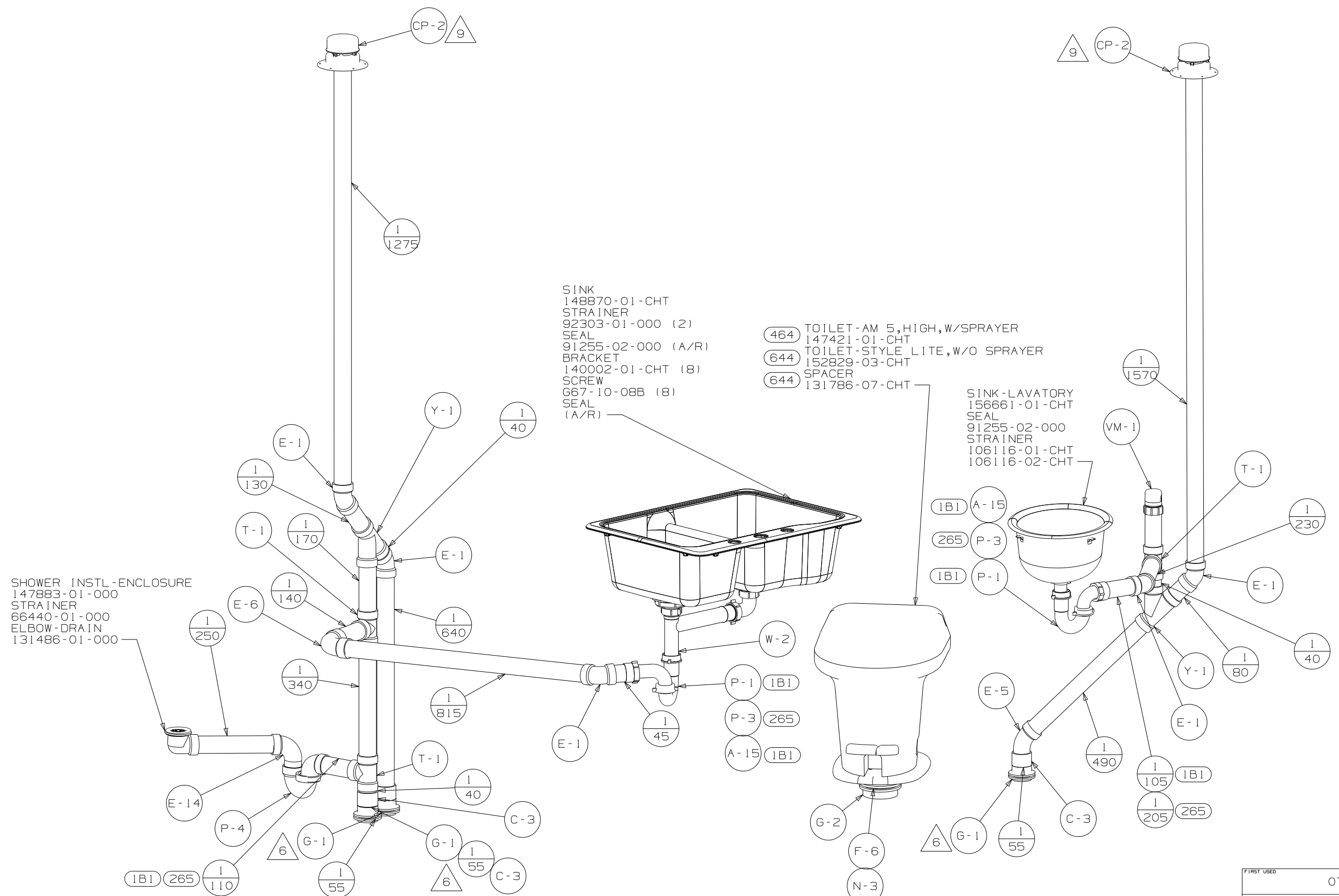
9. VENT PIPE MUST PROJECT 51 MM MIN AND 64 MM MAX ABOVE ROOF FOR PROPER FIT AND FUNCTION.
8. SEE DRAWING 61607-01-000 FOR INSTL OF GROMMETS.
7. SEAL ALL AROUND SHOWER WITH SILICONE.
6. SECURE VENT TUBES TO FLOOR WITH CLAMP 62401-02-000 (3); SCREW G67-10-12B (3); AND BRACKET 136878-01-CHT (3).
5. SECURE PIPES TO CABINET USING WIRE TIE 108046-02-000 AND SCREW G67-10-12B (8).
4. ALL EXTERIOR OPENINGS AROUND PIPE TO BE SEALED WITH 110744-01-000.
3. ALL PIPE AND FITTINGS TO BE ASSEMBLED WITH SOLVENT 4020-01-000.
2. SLOPE OF TRAP ARM MUST BE 6 PER 305.
1. SLOPE OF HORIZONTAL PIPING TO BE 6 PER 305 MIN.

NOTES:

- 644 GREAT ALASKAN RENTAL PACKAGE
- 1B1 CODES/STANDARDS USA
- 265 CODES/STANDARDS-CSA/CMVSS
- 23T DRAINAGE SYSTEM-HEATED

WINNEBAGO		COPYRIGHT 2006 WINNEBAGO INDUSTRIES, INC.	
DFTR	ORIG. DATE	ALL DIMENSIONS ARE IN MILLIMETERS	
CHKR		FIRST USED	
P.E.		07 325F	
M.E.		UNSPECIFIED TOLERANCES ARE:	
DSNR		MATERIAL:	
		WHOLE DIM (X) :	3
		ONE-PLACE (X.X) :	
		TWO-PLACE (X.XX) :	
		ANGLE :	
THIRD ANGLE PROJECTION		DO NOT SCALE DRAWING	
TITLE: DRAINAGE SYSTEM INSTL			
SHEET 1 OF 3	PART NO	158556	REV
REF:	1 10/31/2006		

X-X
FOR
DRAINAGE
CALLOUTS
SEE DWG NO.
116229-01-000



SINK
 148870-01-CHT
 STRAINER
 92303-01-000 (2)
 SEAL
 91255-02-000 (A/R)
 BRACKET
 140002-01-CHT (8)
 SCREW
 G67-10-08B (8)
 SEAL
 (A/R)

(464) TOILET-AM 5,HIGH,W/SPRAYER
 147421-01-CHT
 (644) TOILET-STYLE LITE,W/O SPRAYER
 152829-03-CHT
 (644) SPACER
 131786-07-CHT

SINK-LAVATORY
 156661-01-CHT
 SEAL
 91255-02-000
 STRAINER
 106116-01-CHT
 106116-02-CHT

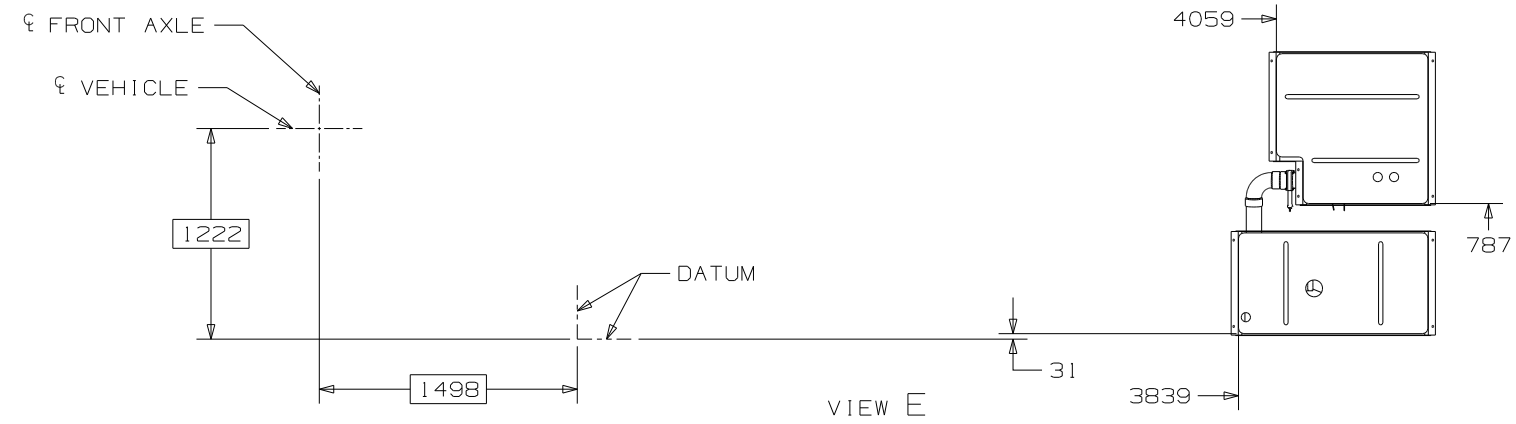
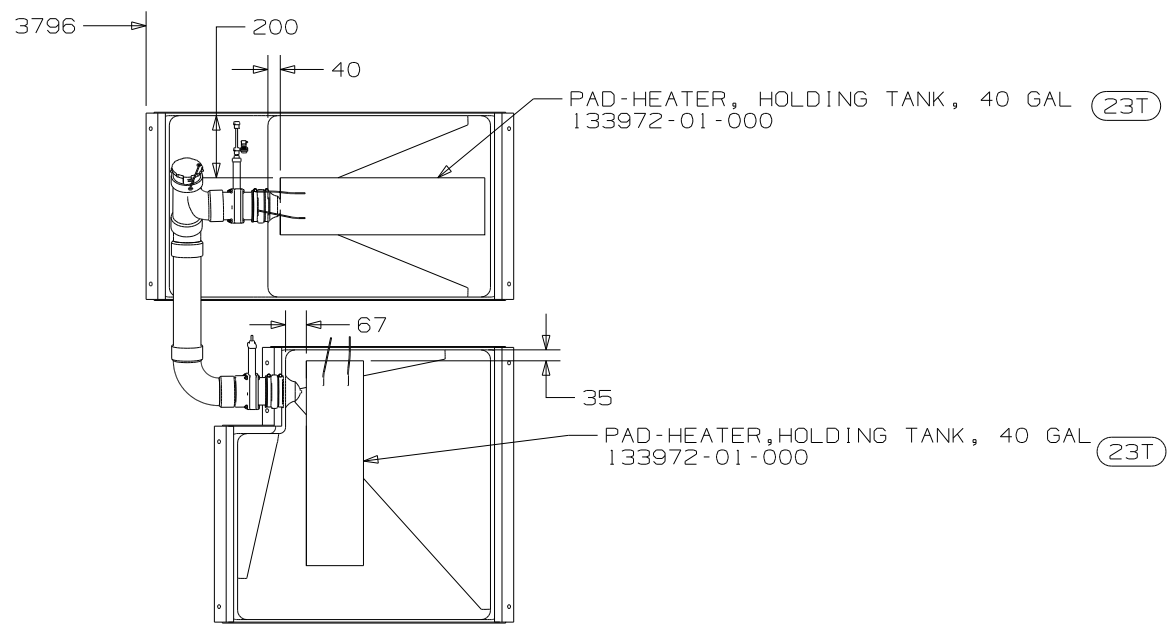
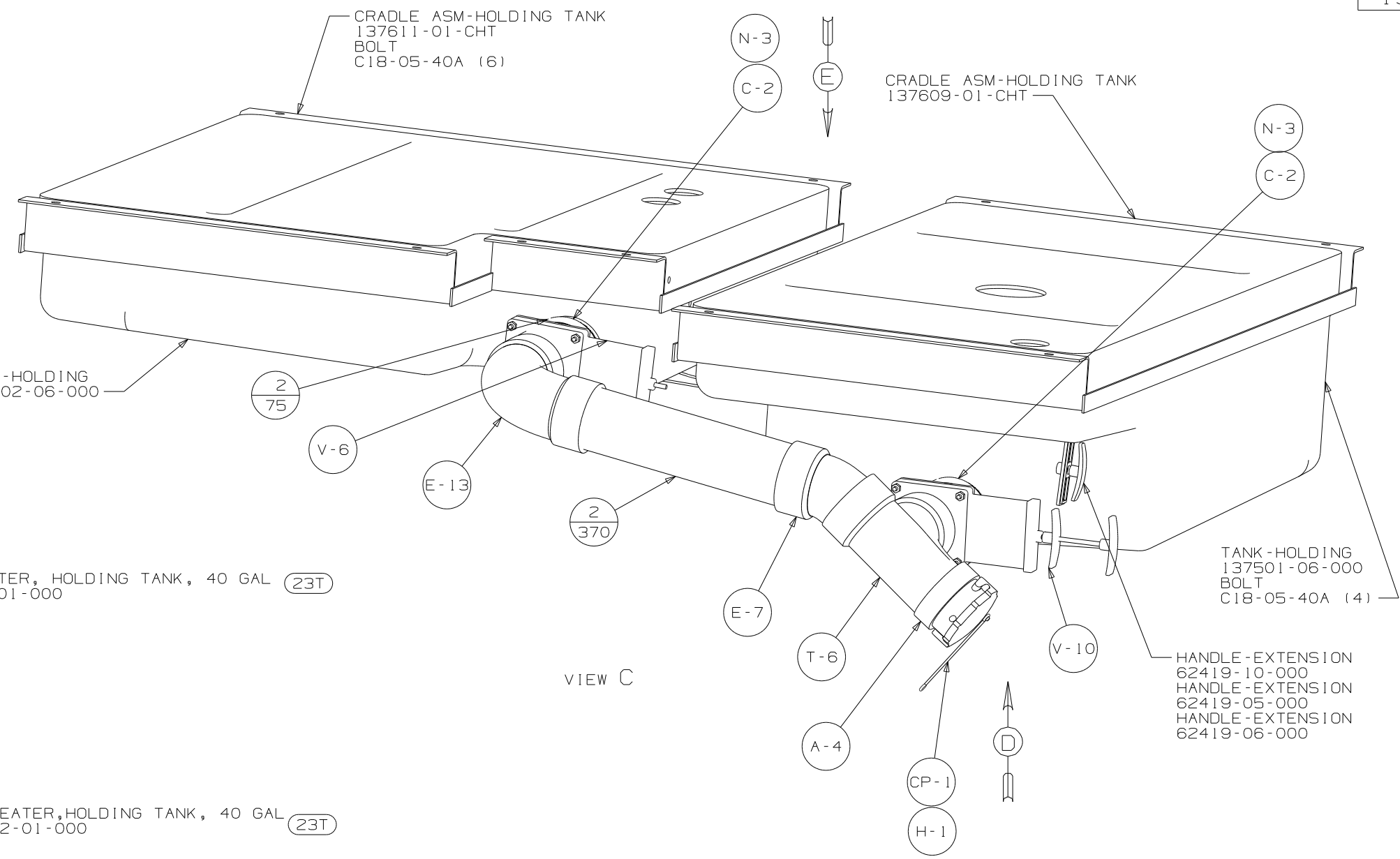
SHOWER INSTL-ENCLOSURE
 147883-01-000
 STRAINER
 66440-01-000
 ELBOW-DRAIN
 131486-01-000

SCREW
 87721-02-000 (8)

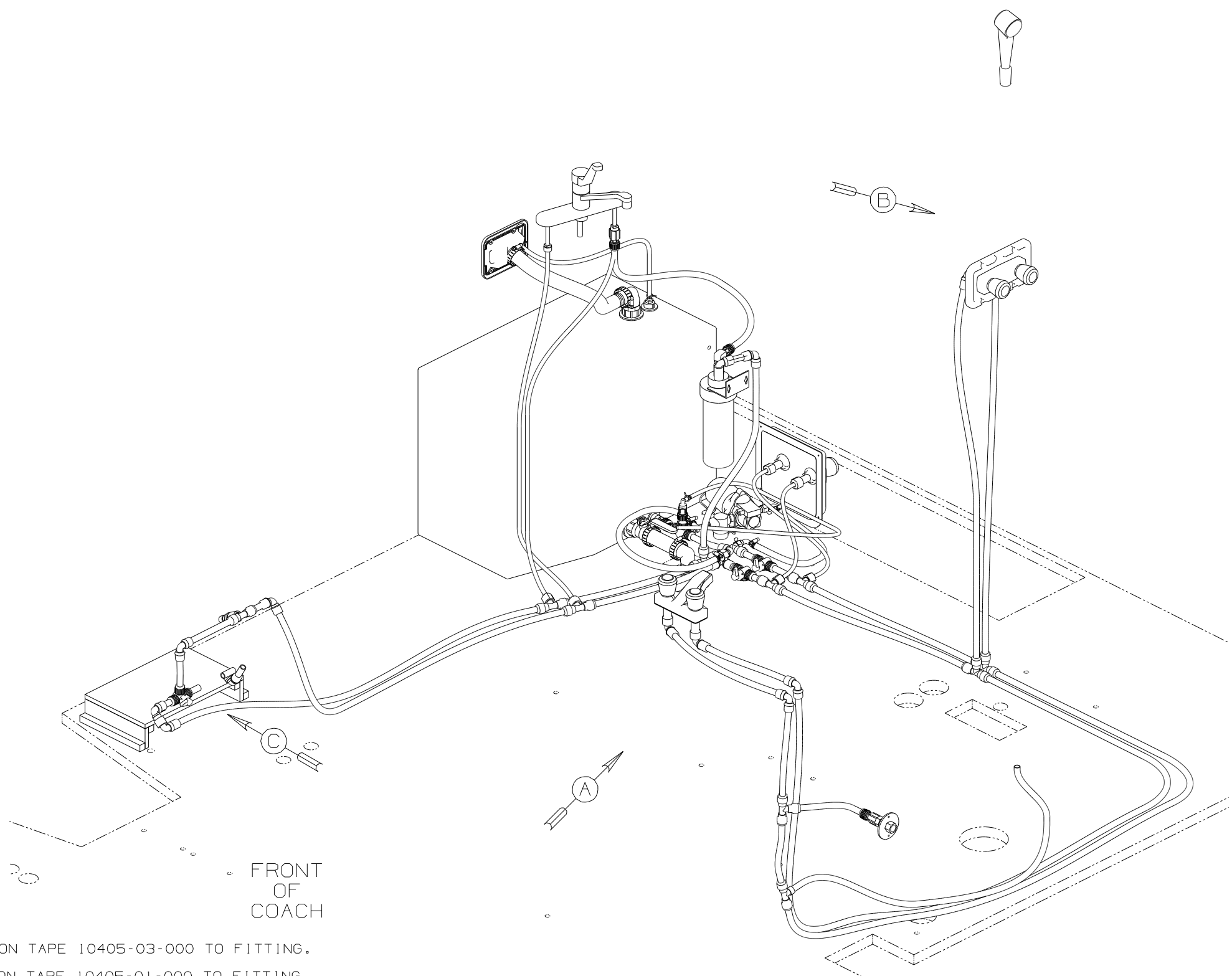
VIEW A

VIEW B

FIRST USED	07 325F	
DO NOT SCALE DRAWING		
TITLE	DRAINAGE SYSTEM INSTL	
SHEET 2	PART NO	158556
REV		



FIRST USED	07 325F		
TITLE	DO NOT SCALE DRAWING		
	DRAINAGE SYSTEM INSTL		
SHEET 3	PART NO	158556	REV
			10/31/2006



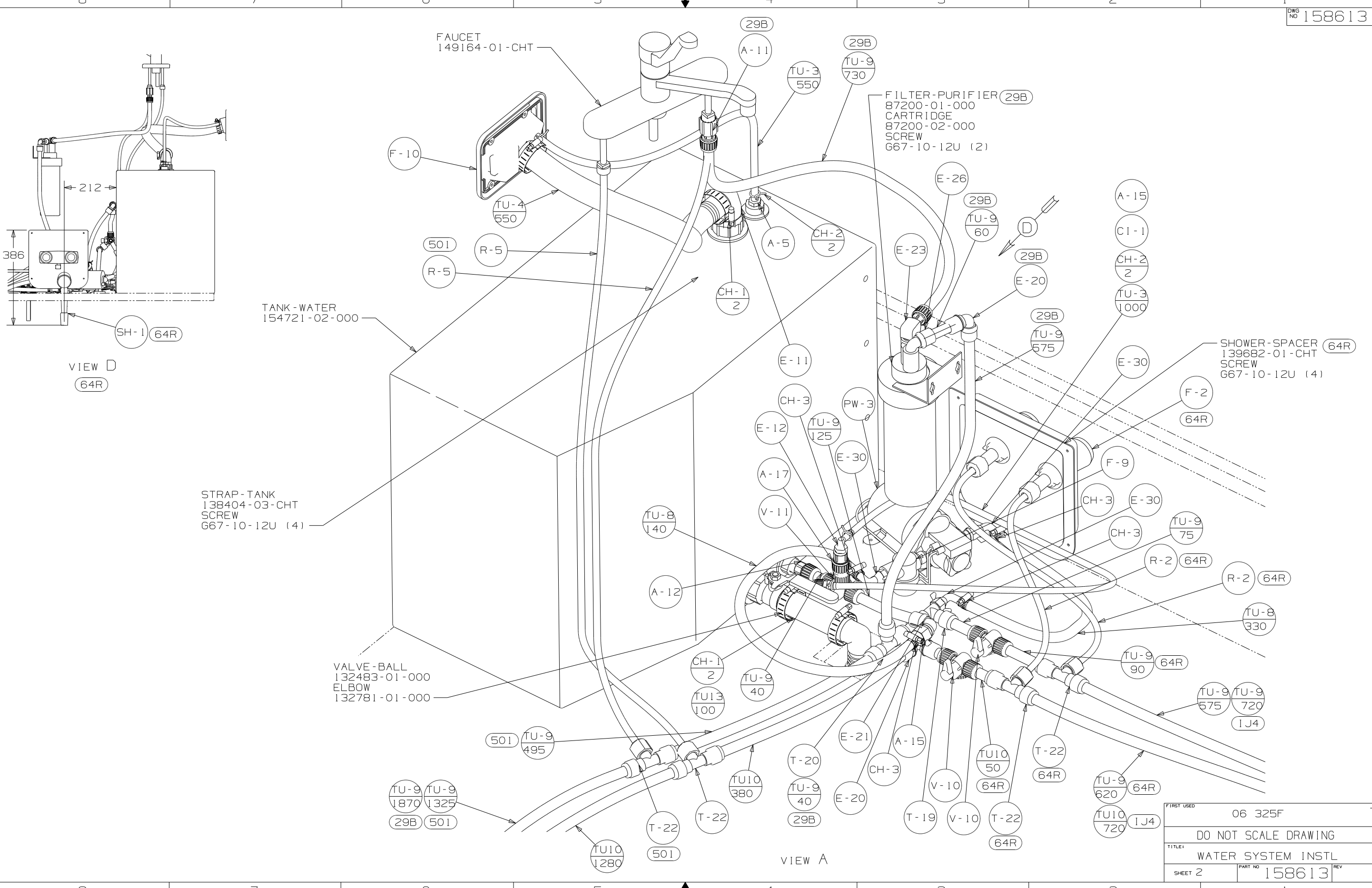
FRONT
OF
COACH

- NOTES:
- 5 ADD TEFLON TAPE 10405-03-000 TO FITTING.
 - 4 ADD TEFLON TAPE 10405-01-000 TO FITTING.
 - 3. ALL TUBING TO BE SECURED AT 1200 INTERVALS MAXIMUM WITH CLAMP 10495-01-000 OR CLIP 9151-01-000 AND SCREW G67-10-12B.
 - 2. TUBING TO BE INSTALLED WITH SUFFICIENT SLOPE TO PROVIDE DRAINAGE TO NEAREST VALVE.
 - 1. PLASTIC FITTINGS TO BE SEALED WITH SEALANT 84456-01-000.

- 086 INTERIOR UPGRADE PACKAGE
- 53Z WTR HTR-6 GAL/110/LP/MTR/AUTO
- 29B WATER PURIFIER
- 501 WATER PURIFIER-WITHOUT
- 1J4 EXT WASH STATION-WITHOUT
- 64R EXTERIOR WASH STATION
- 53F WATER HEATER-ELEC, IGNITION

WINNEBAGO		COPYRIGHT 2007 WINNEBAGO INDUSTRIES, INC.	
DFTR	ORIG. DATE	ALL DIMENSIONS ARE IN MILLIMETERS	
CHKR		FIRST USED 07 325F	
P.E.		UNSPECIFIED TOLERANCES ARE:	
M.E.		WHOLE DIM (X)	: 7
DSNR		ONE-PLACE (X.X)	:
		TWO-PLACE (X.XX)	:
		ANGLE	:
THIRD ANGLE PROJECTION		MATERIAL:	
DO NOT SCALE DRAWING			
TITLE: WATER SYSTEM INSTL			
SHEET 1 OF 3	PART NO	158613	REV
REF:	1 5/15/2007		

(X-X)
FOR
WATER
CALLOUTS
SEE DWG NO
116230-01-000



TANK - WATER
154721-02-000

FILTER-PURIFIER (29B)
87200-01-000
CARTRIDGE
87200-02-000
SCREW
667-10-12U (2)

STRAP-TANK
138404-03-CHT
SCREW
667-10-12U (4)

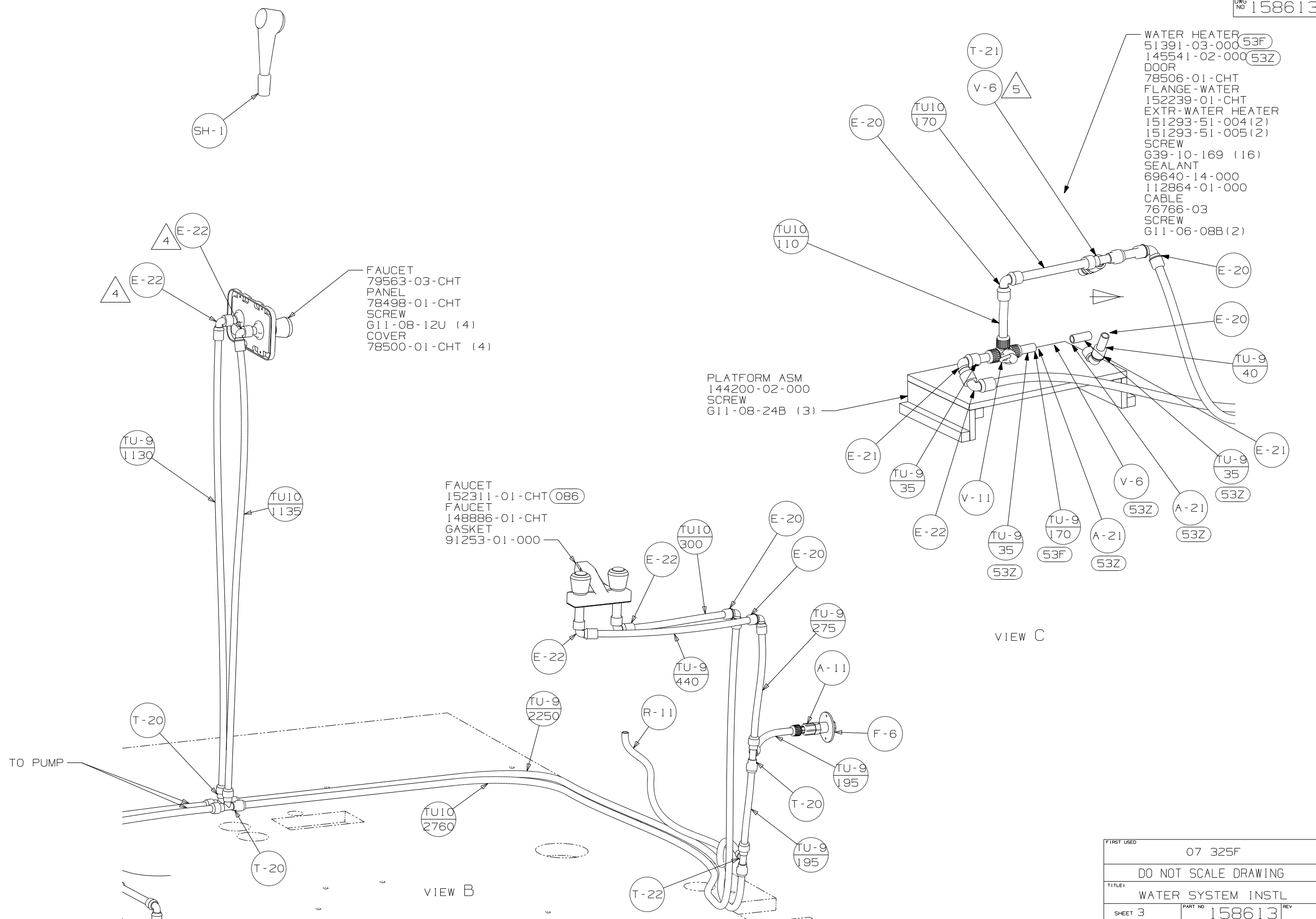
SHOWER-SPACER (64R)
139682-01-CHT
SCREW
667-10-12U (4)

VALVE-BALL
132483-01-000
ELBOW
132781-01-000

VIEW D
(64R)

VIEW A

FIRST USED	06 325F
DO NOT SCALE DRAWING	
TITLE:	WATER SYSTEM INSTL
SHEET 2	PART NO 158613
REV	



FAUCET
152311-01-CHT (086)
FAUCET
148886-01-CHT
GASKET
91253-01-000

FAUCET
79563-03-CHT
PANEL
78498-01-CHT
SCREW
611-08-12U (4)
COVER
78500-01-CHT (4)

PLATFORM ASM
144200-02-000
SCREW
611-08-24B (3)

WATER HEATER
51391-03-000 (53F)
145541-02-000 (53Z)
DOOR
78506-01-CHT
FLANGE - WATER
152239-01-CHT
EXTR - WATER HEATER
151293-51-004 (2)
151293-51-005 (2)
SCREW
639-10-169 (16)
SEALANT
69640-14-000
112864-01-000
CABLE
76766-03
SCREW
611-06-08B (2)

VIEW C

VIEW B

TO PUMP

FIRST USED	07 325F		
TITLE:	DO NOT SCALE DRAWING		
	WATER SYSTEM INSTL		
SHEET 3	PART NO	158613	REV