



**DANGER**

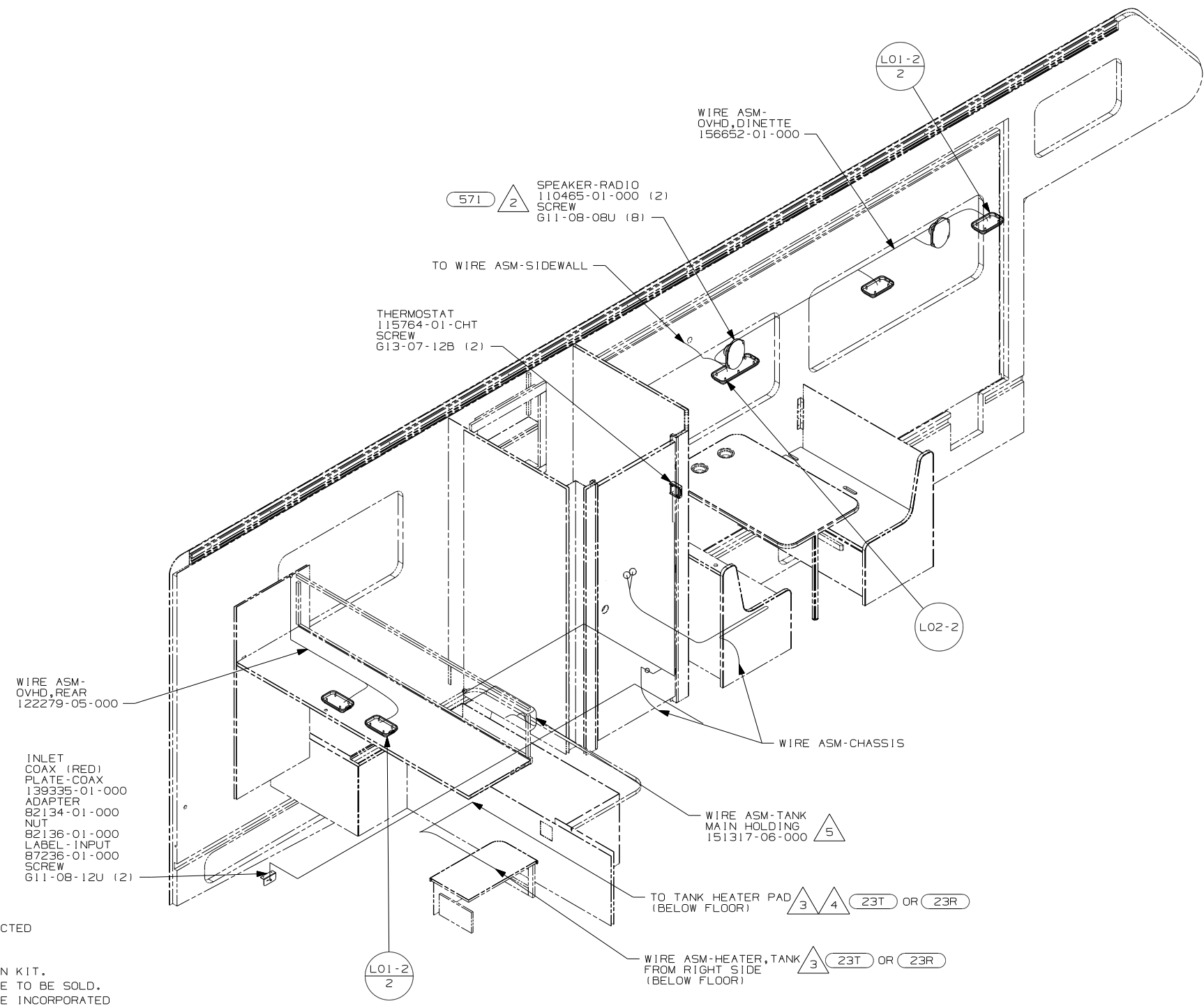
**Danger of electrical shock, burns or death.** Always remove all power sources before attempting any repair, service or diagnostic work. Power can be present from shore power, generator, inverter or battery. All power sources must be disabled and secured before performing any service.



**CAUTION**

If you lack the skills, tools or equipment to perform diagnostic or repair work leave such work to an authorized Winnebago Industries dealer or other qualified shop.

8 7 6 5 4 3 2



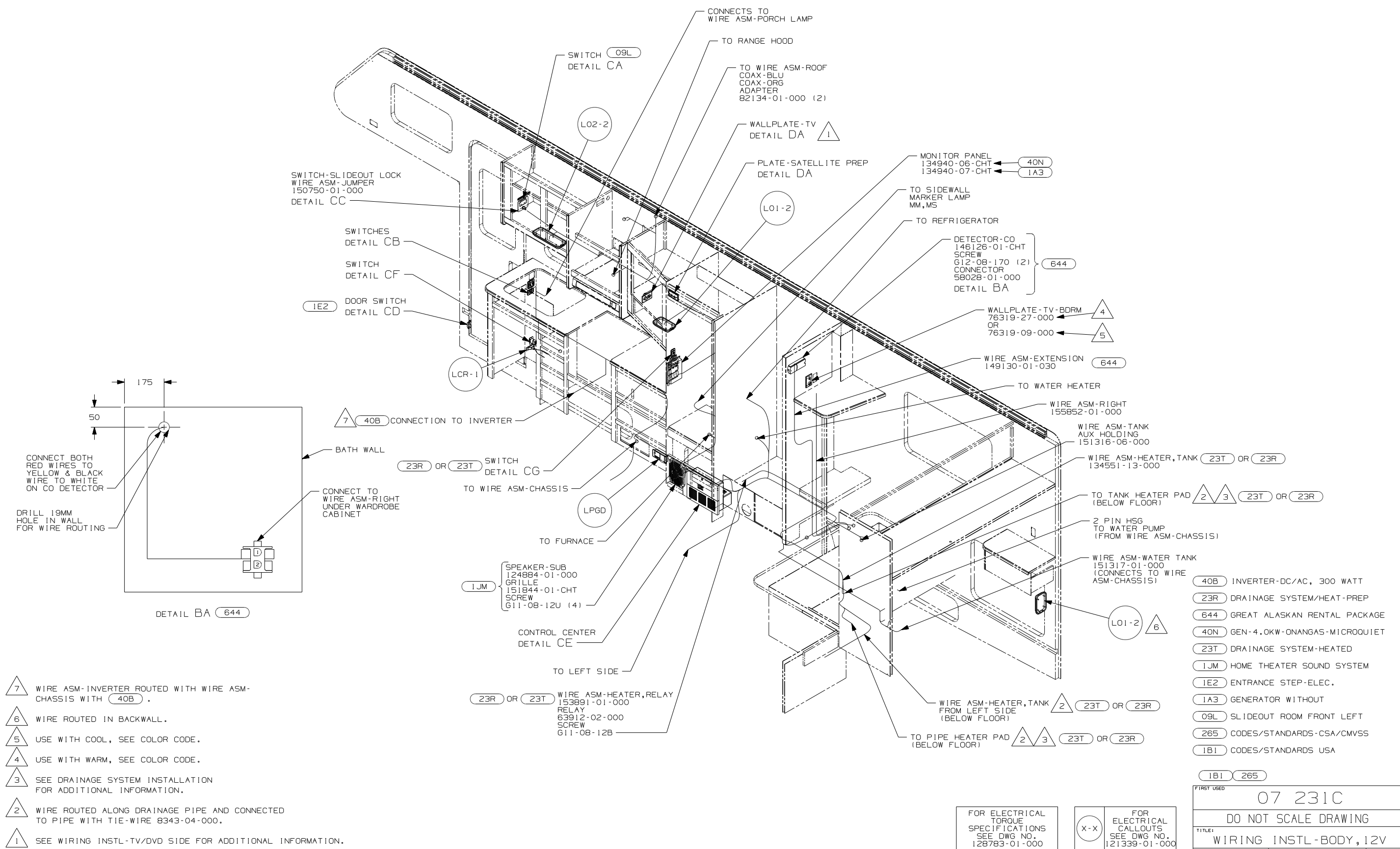
- 5 WIRE ROUTED ALONG DRAINAGE PIPE.
  - 4 SEE DRAINAGE SYSTEM INSTALLATION FOR ADDITIONAL INFORMATION.
  - 3 WIRE ROUTED ALONG DRAINAGE PIPE AND CONNECTED TO PIPE WITH TIE-WIRE 8343-04-000.
  - 2 USE ONE OF THE 4 SPEAKER ASM'S PROVIDED IN KIT. SEND SCREW IN THE KIT TO THE SURPLUS STORE TO BE SOLD. SEND THE WIRE ASM W/HSG TO WIRE PREP TO BE INCORPORATED INTO THE NECESSARY WIRE LOOM.
1. ROUTE TANK SENSOR WIRES SO THEY DO NOT PASS OVER SENSORS. USE WIRE TIE MOUNT 155366-01-000 AND WIRE TIE 8343-01-000 AS NEEDED. TANK SURFACE MUST BE CLEANED USING ISOPROPYL ALCOHOL AND PRIME WITH PRIMER 94.

- 23R DRAINAGE SYSTEM/HEAT-PREP
- 571 RADIO SPEAKERS
- 23T DRAINAGE SYSTEM-HEATED
- 265 CODES/STANDARDS-CSA/CMVSS
- 1B1 CODES/STANDARDS USA

<b>WINNEBAGO</b>		COPYRIGHT 2006 WINNEBAGO INDUSTRIES, INC.	
DFTR	ORIG. DATE		
CHKR	ALL DIMENSIONS ARE IN MILLIMETERS		
P.E.			
M.E.	FIRST USED		
DSNR	07 231C		
UNSPECIFIED TOLERANCES ARE:		MATERIAL:	
WHOLE DIM (X)	: 3		
ONE-PLACE (X.X)	: 1.5		
TWO-PLACE (X.XX)	: 0.50		
ANGLE	: 1°		
THIRD ANGLE PROJECTION		DO NOT SCALE DRAWING	
TITLE: WIRING INSTL-BODY, 12V			
SHEET 1 OF 5	PART NO	155849	
REF:	1 5/15/2007		

FOR ELECTRICAL TORQUE SPECIFICATIONS SEE DWG NO. 128783-01-000

(X-X) FOR ELECTRICAL CALLOUTS SEE DWG NO. 121339-01-000



- NOTES:**
- 7 WIRE ASM-INVERTER ROUTED WITH WIRE ASM-CHASSIS WITH (40B) .
  - 6 WIRE ROUTED IN BACKWALL.
  - 5 USE WITH COOL, SEE COLOR CODE.
  - 4 USE WITH WARM, SEE COLOR CODE.
  - 3 SEE DRAINAGE SYSTEM INSTALLATION FOR ADDITIONAL INFORMATION.
  - 2 WIRE ROUTED ALONG DRAINAGE PIPE AND CONNECTED TO PIPE WITH TIE-WIRE 8343-04-000.
  - 1 SEE WIRING INSTL-TV/DVD SIDE FOR ADDITIONAL INFORMATION.

- (40B) INVERTER-DC/AC, 300 WATT
- (23R) DRAINAGE SYSTEM/HEAT-PREP
- (644) GREAT ALASKAN RENTAL PACKAGE
- (40N) GEN-4.0KW-ONANGAS-MICROQUIET
- (23T) DRAINAGE SYSTEM-HEATED
- (1JM) HOME THEATER SOUND SYSTEM
- (1E2) ENTRANCE STEP-ELEC.
- (1A3) GENERATOR WITHOUT
- (09L) SLIDEOUT ROOM FRONT LEFT
- (265) CODES/STANDARDS-CSA/CMVSS
- (1B1) CODES/STANDARDS USA

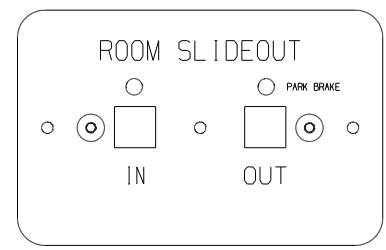
FOR ELECTRICAL TORQUE SPECIFICATIONS SEE DWG NO. 128783-01-000

(X-X) FOR ELECTRICAL CALLOUTS SEE DWG NO. 121339-01-000

FIRST USED	07 231C	
TITLE:	DO NOT SCALE DRAWING	
	WIRING INSTL-BODY, 12V	
SHEET 2	PART NO	155849
	REV	

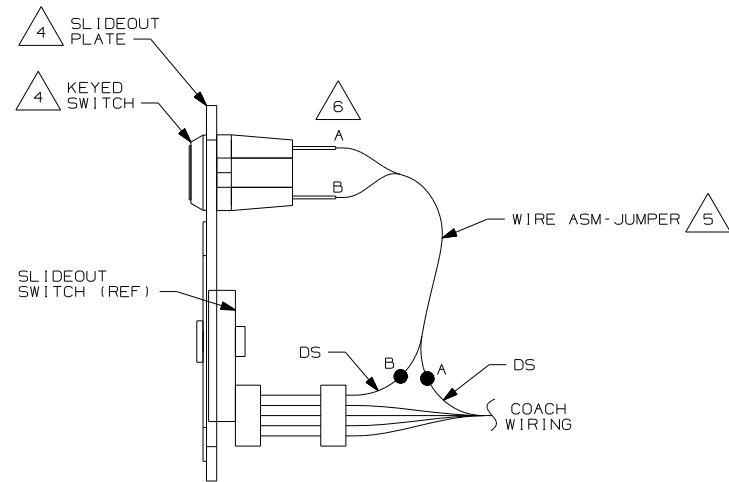
LABEL-WARNING  
116549-01-000

**WARNING**  
UNDERSTAND OPERATOR'S MANUAL BEFORE USING  
KEEP PEOPLE AND OBSTRUCTIONS CLEAR OF  
SLIDEOUT ROOM WHEN OPERATING TO AVOID  
INJURY AND/OR PROPERTY DAMAGE

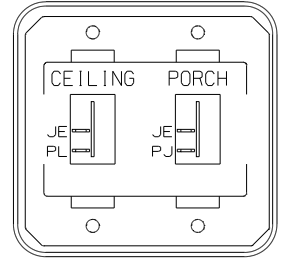


SWITCH ASM-SLIDEOUT  
138173-04-000

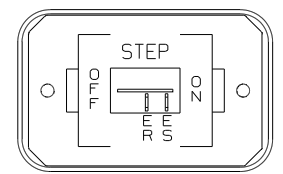
DETAIL CA



DETAIL CC 644

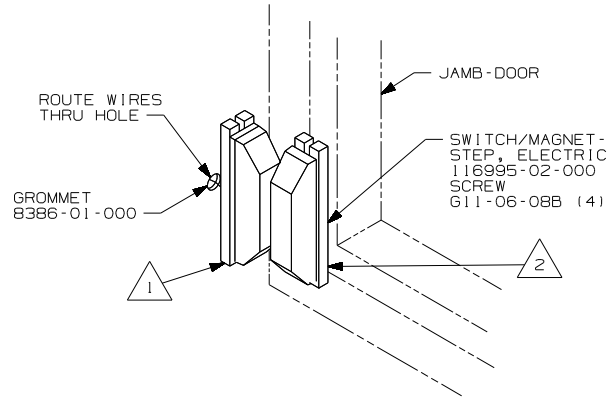


SWITCH-ROCKER  
135740-01-CHT (2)  
SWITCH-BASE  
135741-02-CHT  
SWITCH-BEZEL  
135742-19-CHT  
SCREW  
611-08-08U (4)

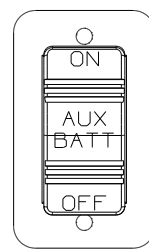


SWITCH-ROCKER  
135740-01-CHT  
SWITCH-BASE  
135741-01-CHT  
SWITCH-BEZEL  
135742-11-CHT  
SCREW  
611-08-08U (2)

DETAIL CB

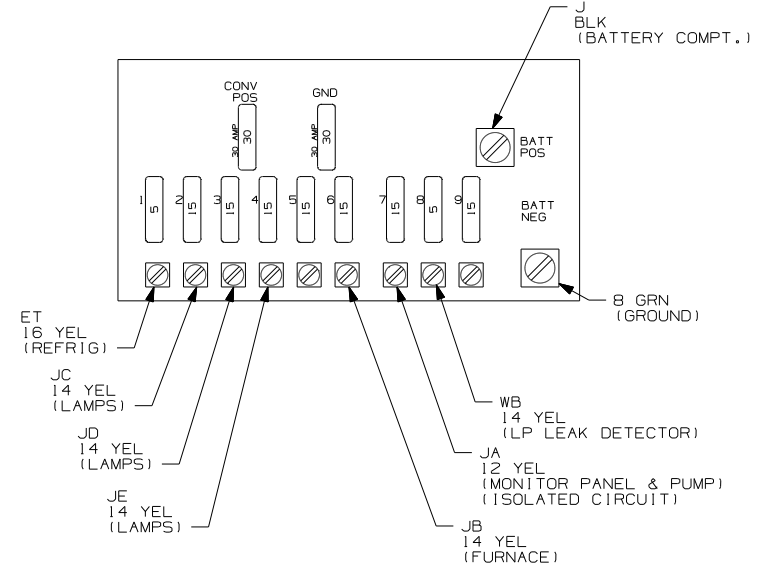


DETAIL CD

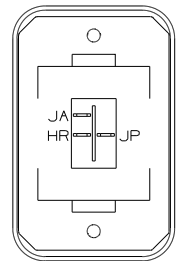


SWITCH-BATTERY, DISC  
108357-06-000  
ACTUATOR-SWITCH  
108356-11-CHT  
PLATE-SWITCH  
98351-07-CHT  
SCREW  
611-06-10U (2)

DETAIL CF



DETAIL CE 7



SWITCH-ROCKER  
135740-06-CHT  
SWITCH-BASE  
135741-01-CHT  
SWITCH-BEZEL  
135742-01-CHT  
SCREW  
611-08-08U (2)  
LABEL-SWITCH  
134563-01-CHT

HOLDING TANK HEATER  
TURN OFF When Not In Use  
SEE OPERATORS MANUAL

DETAIL CG 23T OR 23R

- 7 FOR REFERENCE ONLY. SEE LOAD CENTER/ATS ASM FOR ADDITIONAL INFORMATION.
- 6 REMOVE TERMINALS (SUPPLIED WITH KEY SWITCH), CRIMP ON TO WIRE ASM-JUMPER, AND RECONNECT TO KEY SWITCH.
- 5 CUT CIRCUIT DS GOING TO SLIDEOUT SWITCH HOUSING AND RECONNECT AS SHOWN.
- 4 SUPPLIED BY GREAT ALASKAN RENTAL COMPANY.
- 3 SEE WIRING INSTL-BODY, 110V FOR ADDITIONAL INFORMATION.
- 2 MOUNT MAGNET USING PILOT HOLES IN SCREEN DOOR FRAME MOUNT WITH MAGNET TOWARD SWITCH.
- 1 MOUNT SWITCH AND SPACER TO BLOCK ON JAMB ADJUST HEIGHT TO MATCH MAGNET.

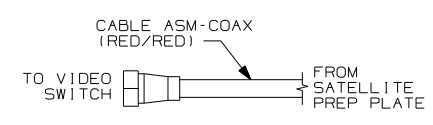
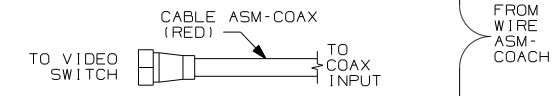
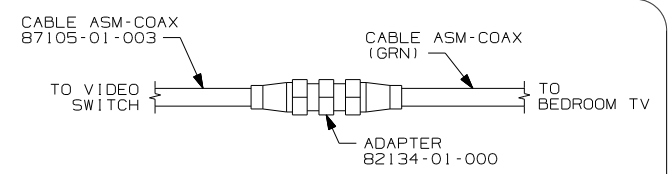
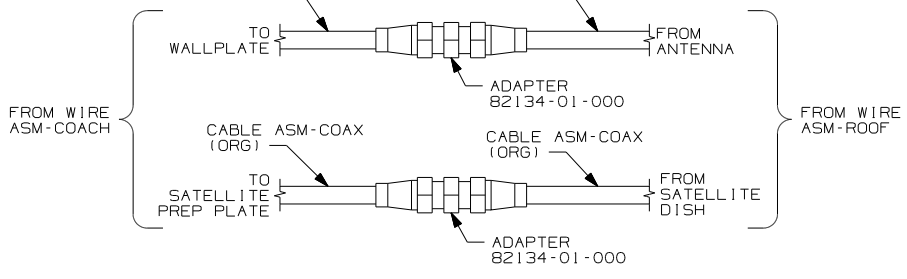
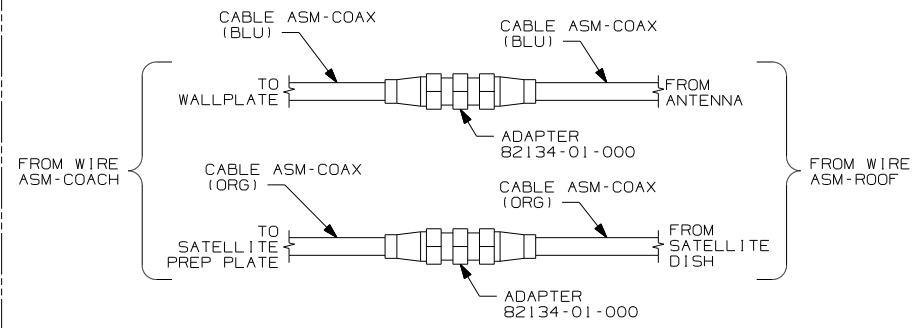
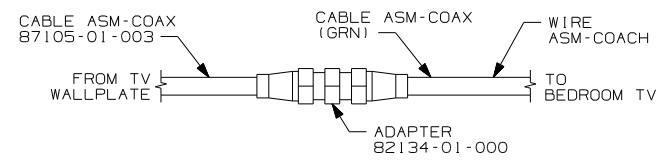
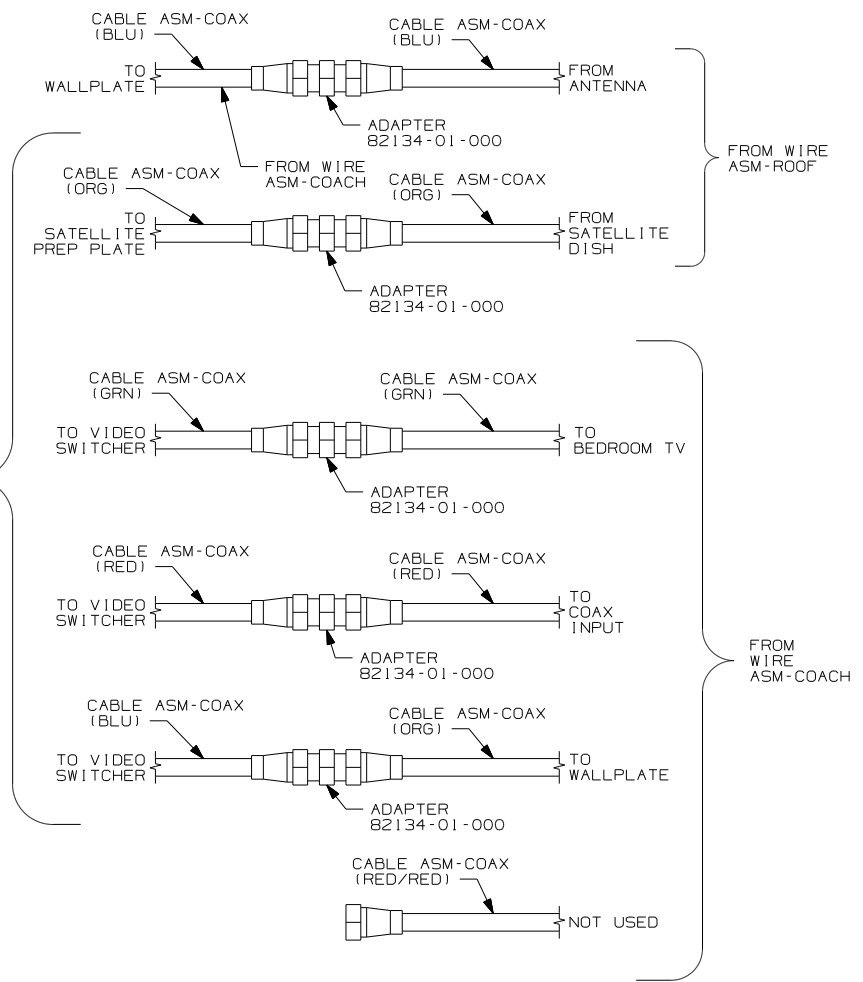
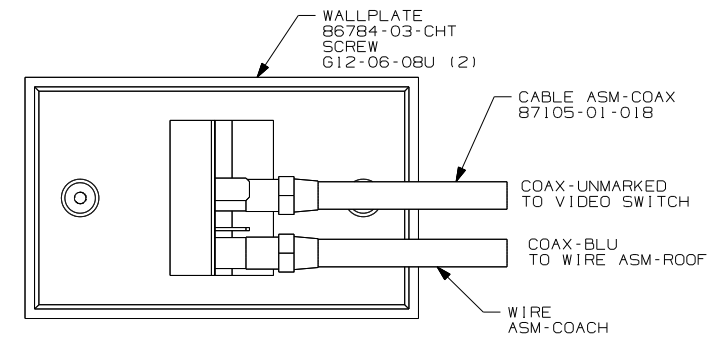
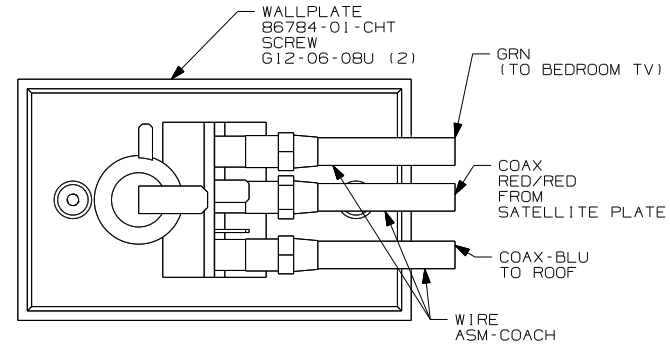
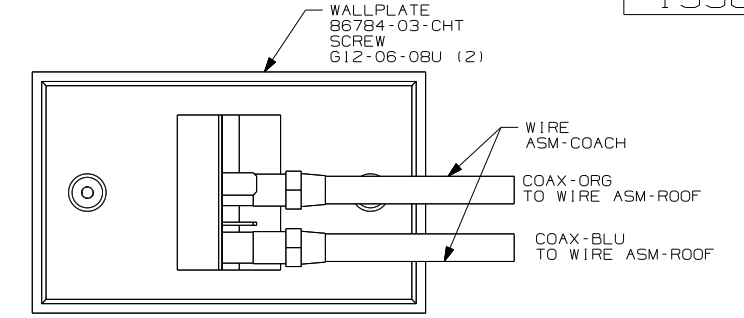
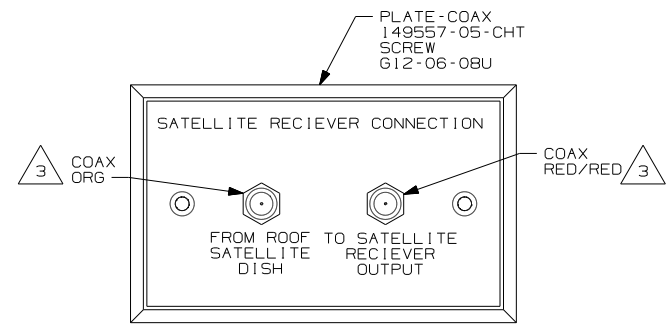
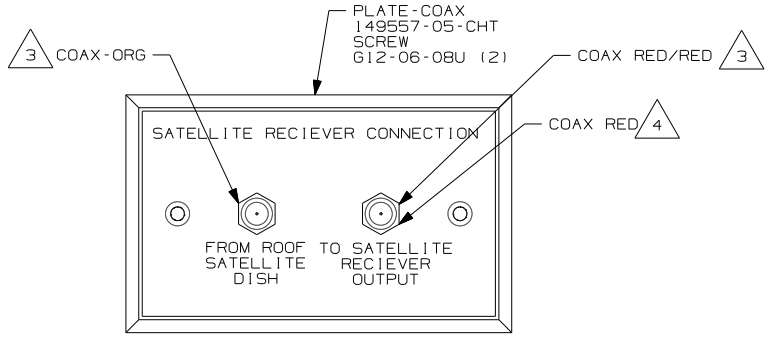
NOTES:

- 23R DRAINAGE SYSTEM/HEAT-PREWIRE
- 644 GREAT ALASKAN RENTAL PACKAGE
- 23T DRAINAGE SYSTEM-HEATED
- 1E2 ENTRANCE STEP-ELEC.
- 265 CODES/STANDARDS-CSA/CMVSS
- 1B1 CODES/STANDARDS USA

FIRST USED	07 231C
DO NOT SCALE DRAWING	
TITLE:	WIRING INSTL-BODY, 12V
SHEET 3	PART NO 155849 REV

FOR ELECTRICAL TORQUE SPECIFICATIONS SEE DWG NO. 128783-01-000

FOR ELECTRICAL CALLOUTS SEE DWG NO. 121339-01-000



DETAIL DA 2

DETAIL DA 1

DETAIL DA 5

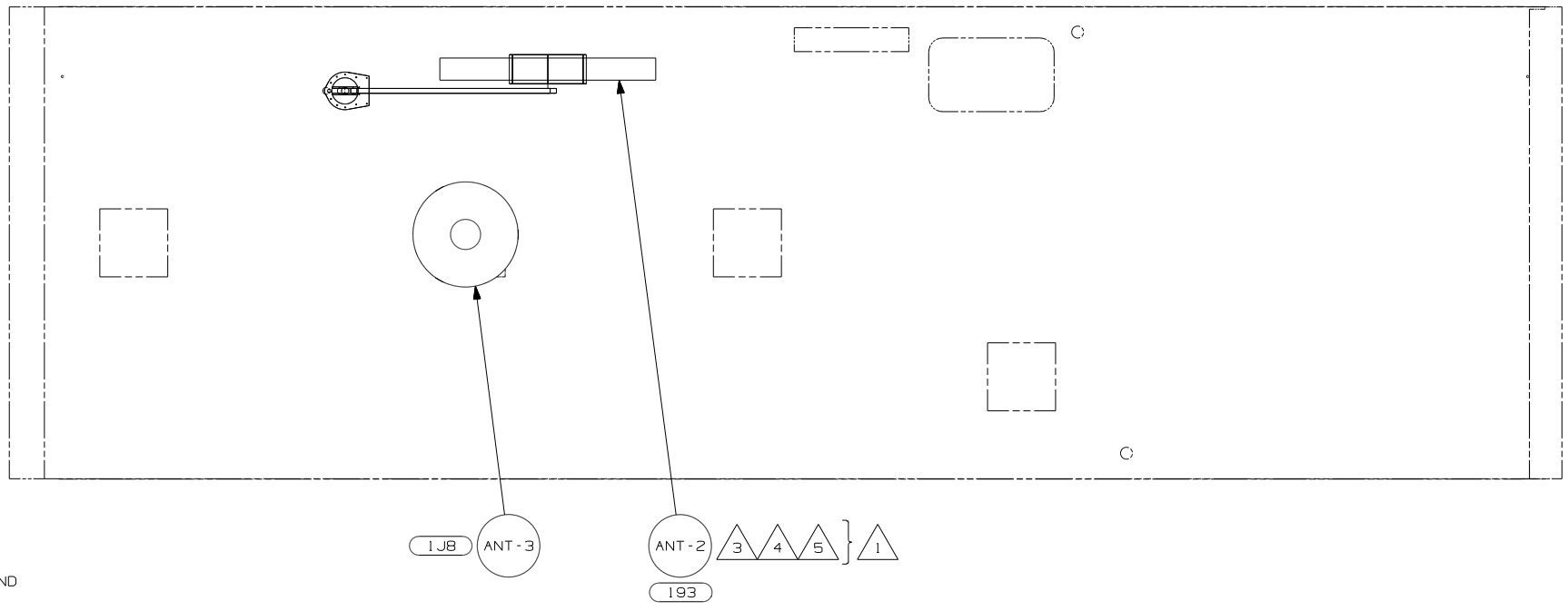
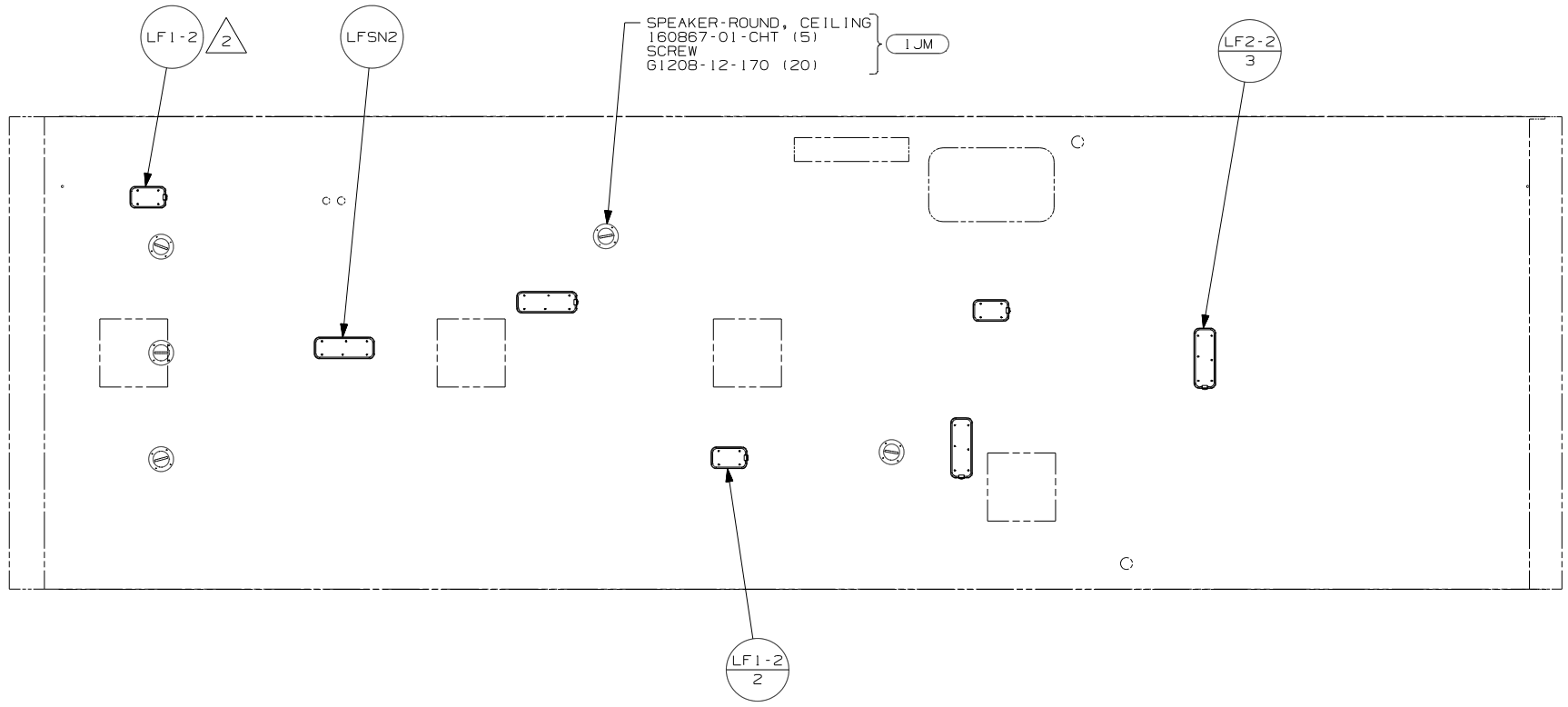
- NOTES:
- 5 WITH SIDE ENTERTAINMENT CENTER, SEE WIRING INSTL-TV/DVD, SIDE FOR ADDITIONAL INFORMATION.
  - 4 CONNECT COAX TO FRONT SIDE OF WALLPLATE.
  - 3 CONNECT COAX TO BACKSIDE OF WALLPLATE.
  - 2 WITHOUT IL1 OR IL4
  - 1 WITH FRONT ENTERTAINMENT CENTER, SEE WIRING INSTL-TV/VCR, FRONT FOR ADDITIONAL INFORMATION.

FOR ELECTRICAL TORQUE SPECIFICATIONS SEE DWG NO. 128783-01-000

FOR ELECTRICAL CALLOUTS SEE DWG NO. 121339-01-000

- IL4 TV-20" W/VIDEO SELECTION SYS
- IL1 TV-27" W/VIDEO SELECTION SYS
- 265 CODES/STANDARDS-CSA/CMVSS
- 1B1 CODES/STANDARDS USA

FIRST USED	07 231C
DO NOT SCALE DRAWING	
TITLE:	WIRING INSTL-BODY, 12V
SHEET 4	PART NO 155849 REV



- NOTES:
- 5 ADD RUBBER BUMPER TO ROOF UNDER EACH END OF ANTENNA IN DOWN POSITION.
  - 4 LOCATE CLAMP TO RETAIN CABLE BUT NOT TO RESTRICT ANTENNA TRAVEL.
  - 3 SEE DRAWING 76319-01-000 FOR INSTALLATION OF TV ANTENNA.
  - 2 NOT USED WITH (ILI)
  - 1 NOT USED WITH (IJB)

- (IJM) HOME THEATER SOUND SYSTEM
- (ILI) TV-27" W/VIDEO SELECTION SYS
- (193) TV ANTENNA-AMPLIFIED SYSTEM
- (IJB) TV ANTENNA-OMNIDIRECTIONAL
- (265) CODES/STANDARDS-CSA/CMVSS
- (1B1) CODES/STANDARDS USA

FOR ELECTRICAL TORQUE SPECIFICATIONS SEE DWG NO. 128783-01-000

(X-X) FOR ELECTRICAL CALLOUTS SEE DWG NO. 121339-01-000

FIRST USED	07 231C
DO NOT SCALE DRAWING	
TITLE:	WIRING INSTL-BODY, 12V
SHEET 5	PART NO 155849 REV