



**DANGER**

**Danger of electrical shock, burns or death.** Always remove all power sources before attempting any repair, service or diagnostic work. Power can be present from shore power, generator, inverter or battery. All power sources must be disabled and secured before performing any service.



**CAUTION**

If you lack the skills, tools or equipment to perform diagnostic or repair work leave such work to an authorized Winnebago Industries dealer or other qualified shop.

8

7

6

5

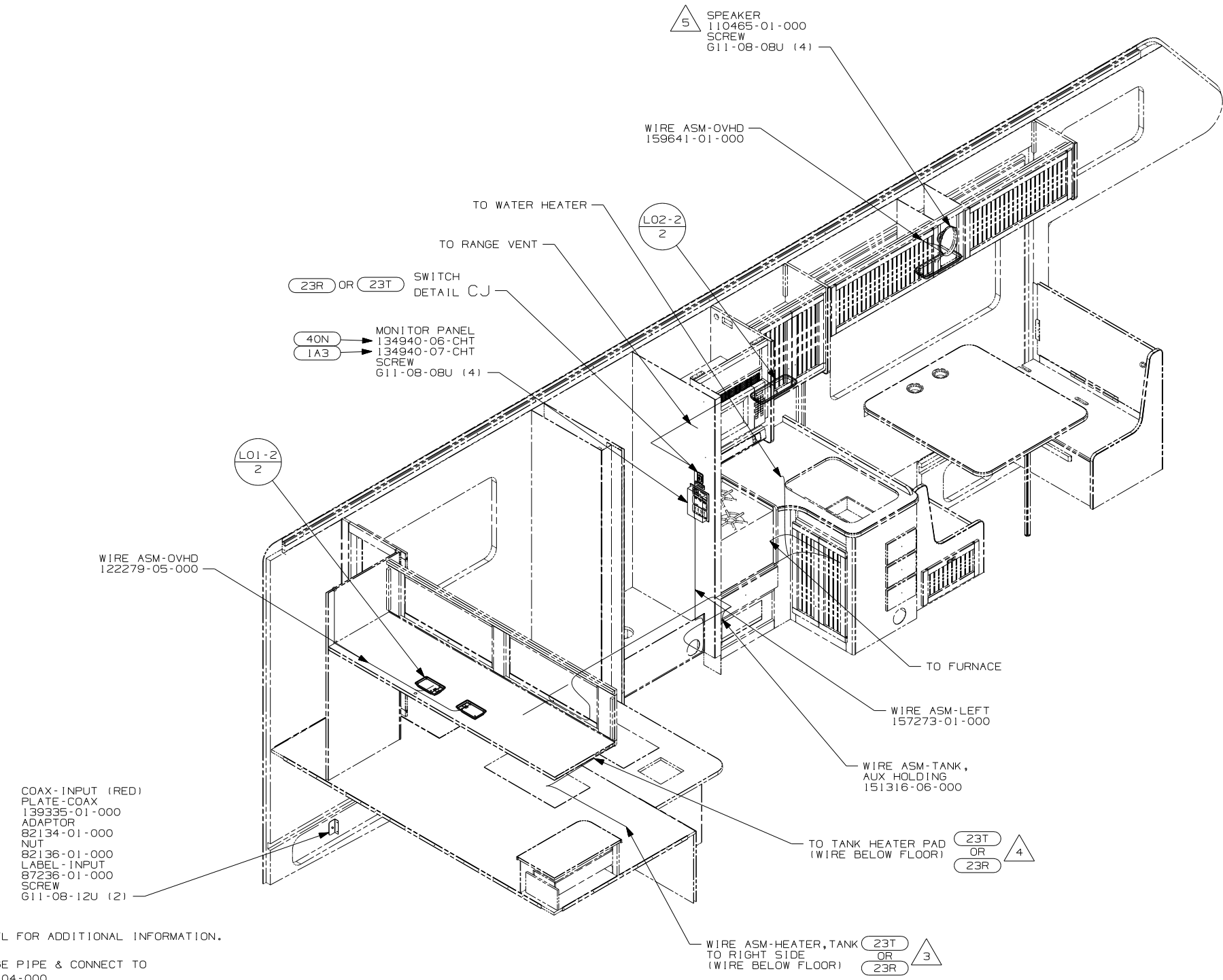
4

3

2

1

|          |                 |                  |
|----------|-----------------|------------------|
| RELEASE  | REV DATE<br>A   | DWG NO<br>157269 |
| REV ZONE | REVISION RECORD | DATE DFR-0R16    |



COAX-INPUT (RED)  
PLATE-COAX  
139335-01-000  
ADAPTOR  
82134-01-000  
NUT  
82136-01-000  
LABEL-INPUT  
87236-01-000  
SCREW  
611-08-12U (2)

(23R) OR (23T) SWITCH  
DETAIL C J

(40N)  
(1A3) MONITOR PANEL  
134940-06-CHT  
134940-07-CHT  
SCREW  
611-08-08U (4)

WIRE ASM-TANK,  
AUX HOLDING  
151316-06-000

WIRE ASM-LEFT  
157273-01-000

WIRE ASM-OVHD  
159641-01-000

5 SPEAKER  
110465-01-000  
SCREW  
611-08-08U (4)

(LO1-2)  
2

(LO2-2)  
2

(23T)  
OR  
(23R) 4

(23T)  
OR  
(23R) 3

5 USE ONE OF THE SPEAKERS PROVIDED IN THE KIT. SEND THE SCREWS IN THE KIT TO THE SURPLUS STORE. SEND THE KIT WIRE ASM-PJGTAIL TO WIRE PREP TO BE INCORPORATED INTO A WIRE ASM.

- 4 SEE DRAINAGE SYSTEM INSTL FOR ADDITIONAL INFORMATION.
- 3 ROUTE WIRE ALONG DRAINAGE PIPE & CONNECT TO PIPE WITH TIE-WIRE 8343-04-000.
2. ROUTE TANK SENSOR WIRES SO THEY DO NOT PASSOVER SENSORS. USE WIRE TIE MOUNT 155366-01-000 AND WIRE TIE 8343-01-000 AS NEEDED. TANK SURFACE MUST BE CLEANED USING ISOPROPYL ALCOHOL AND PRIME WITH PRIMER 94.
1. ALL WIRES TO BE SECURED WITH CLAMP 10495-01-000 OR CLIP 80734-01-000 EVERY 600MM. USE SCREW 667-10-12B UNLESS OTHERWISE SPECIFIED.

- (23R) DRAINAGE SYSTEM/HEAT-PREP
- (23T) DRAINAGE SYSTEM-HEATED
- (40N) GEN-4.0KW-ONAN-GAS-MICROLITE
- (1A3) GENERATOR WITHOUT
- (265) CODES/STANDARDS-CSA/CMVSS
- (1B1) CODES/STANDARDS USA

(1B1) (265)



|                             |                                   |
|-----------------------------|-----------------------------------|
| DFTR                        | ORIG. DATE                        |
| CHKR                        | ALL DIMENSIONS ARE IN MILLIMETERS |
| P.E.                        |                                   |
| M.E.                        | FIRST USED                        |
| DSNR                        | 07 229T                           |
| UNSPECIFIED TOLERANCES ARE: | MATERIAL:                         |
| WHOLE DIM (X) : 3           |                                   |
| ONE-PLACE (X.X) : 1.5       |                                   |
| TWO-PLACE (X.XX) : 0.50     |                                   |
| ANGLE : 1°                  |                                   |
| THIRD ANGLE PROJECTION      |                                   |

FOR ELECTRICAL TORQUE SPECIFICATIONS SEE DWG NO. 128783-01-000

(X-X) FOR ELECTRICAL CALLOUTS SEE DWG NO. 121339-01-000

|                      |                        |
|----------------------|------------------------|
| DO NOT SCALE DRAWING |                        |
| TITLE:               | WIRING INSTL-BODY, 12V |
| SHEET 1 OF 4         | PART NO 157269 REV     |
| REF:                 | 1 11/28/2006           |

NOTES:

8

7

6

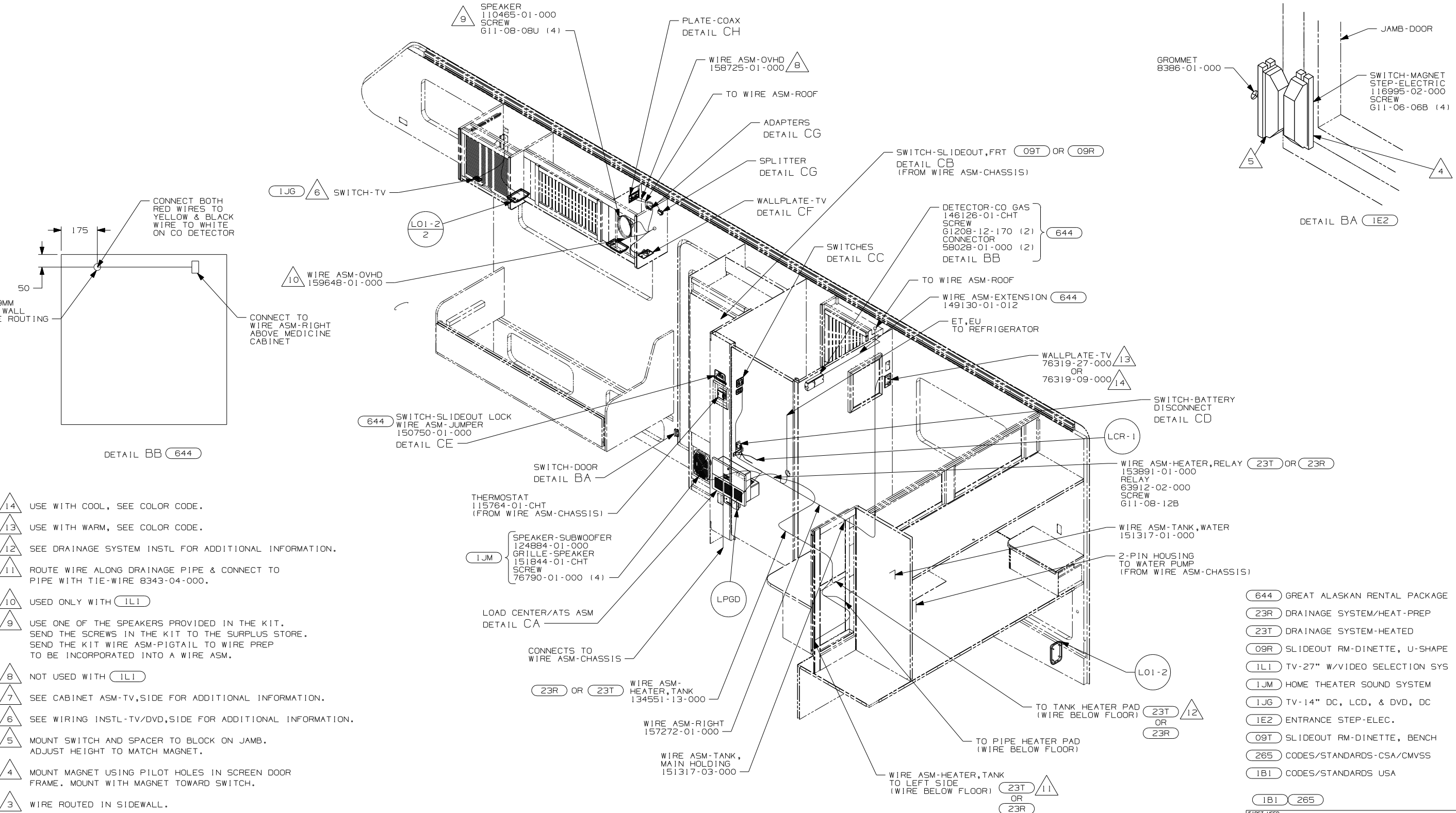
5

4

3

2

1



- 14 USE WITH COOL, SEE COLOR CODE.
  - 13 USE WITH WARM, SEE COLOR CODE.
  - 12 SEE DRAINAGE SYSTEM INSTL FOR ADDITIONAL INFORMATION.
  - 11 ROUTE WIRE ALONG DRAINAGE PIPE & CONNECT TO PIPE WITH TIE-WIRE 8343-04-000.
  - 10 USED ONLY WITH (1I1)
  - 9 USE ONE OF THE SPEAKERS PROVIDED IN THE KIT. SEND THE SCREWS IN THE KIT TO THE SURPLUS STORE. SEND THE KIT WIRE ASM-PIGTAIL TO WIRE PREP TO BE INCORPORATED INTO A WIRE ASM.
  - 8 NOT USED WITH (1I1)
  - 7 SEE CABINET ASM-TV, SIDE FOR ADDITIONAL INFORMATION.
  - 6 SEE WIRING INSTL-TV/DVD, SIDE FOR ADDITIONAL INFORMATION.
  - 5 MOUNT SWITCH AND SPACER TO BLOCK ON JAMB. ADJUST HEIGHT TO MATCH MAGNET.
  - 4 MOUNT MAGNET USING PILOT HOLES IN SCREEN DOOR FRAME. MOUNT WITH MAGNET TOWARD SWITCH.
  - 3 WIRE ROUTED IN SIDEWALL.
2. SEE WIRING INSTL-TV/DVD, FRONT FOR ADDITIONAL INFORMATION.
  1. ALL WIRES TO BE SECURED WITH CLAMP 10495-01-000 OR CLIP 80734-01-000 EVERY 600MM. USE SCREW 667-10-12B UNLESS OTHERWISE SPECIFIED.

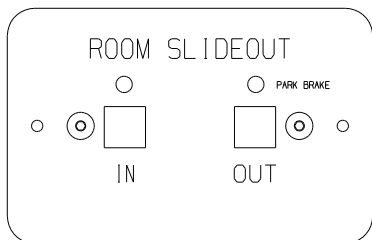
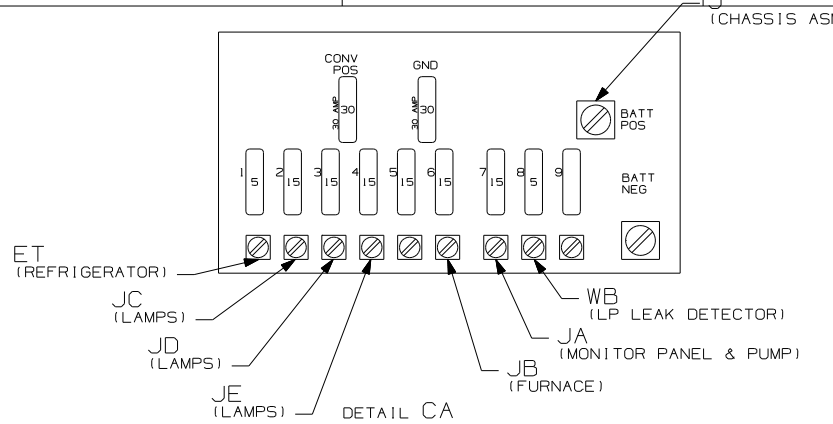
- (644) GREAT ALASKAN RENTAL PACKAGE
- (23R) DRAINAGE SYSTEM/HEAT-PREP
- (23T) DRAINAGE SYSTEM-HEATED
- (09R) SLIDEOUT RM-DINETTE, U-SHAPE
- (1I1) TV-27" W/VIDEO SELECTION SYS
- (1JM) HOME THEATER SOUND SYSTEM
- (1J6) TV-14" DC, LCD, & DVD, DC
- (1E2) ENTRANCE STEP-ELEC.
- (09T) SLIDEOUT RM-DINETTE, BENCH
- (265) CODES/STANDARDS-CSA/CMVSS
- (1B1) CODES/STANDARDS USA

|            |                        |
|------------|------------------------|
| FIRST USED | 07 229T                |
| TITLE:     | DO NOT SCALE DRAWING   |
|            | WIRING INSTL-BODY, 12V |
| SHEET 2    | PART NO 157269 REV     |

FOR ELECTRICAL TORQUE SPECIFICATIONS SEE DWG NO. 128783-01-000

(X-X) FOR ELECTRICAL CALLOUTS SEE DWG NO. 121339-01-000

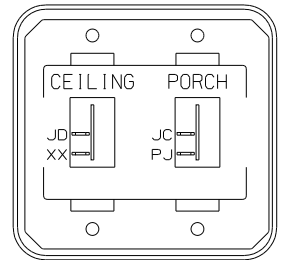
NOTES:



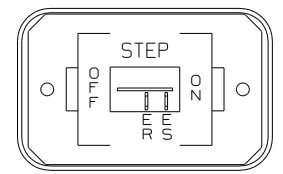
SWITCH ASM-SLIDEOUT  
140464-02-000  
LABEL-WARNING  
116549-01-000

**WARNING** UNDERSTAND OPERATOR'S MANUAL BEFORE USING  
KEEP PEOPLE AND OBSTRUCTIONS CLEAR OF  
SLIDEOUT ROOM WHEN OPERATING TO AVOID  
INJURY AND/OR PROPERTY DAMAGE

DETAIL CB 09R 09T

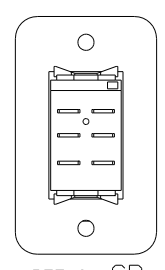


SWITCH-ROCKER  
135740-01-CHT (2)  
SWITCH-BASE  
135741-02-CHT  
SWITCH-BEZEL  
135742-19-CHT  
SCREW  
611-08-08U (4)



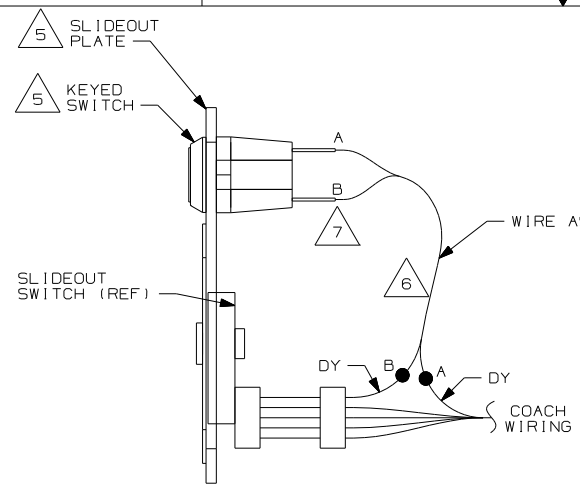
SWITCH-ROCKER  
135740-01-CHT  
SWITCH-BASE  
135741-01-CHT  
SWITCH-BEZEL  
135742-11-CHT  
SCREW  
611-08-08U (2)

DETAIL CC

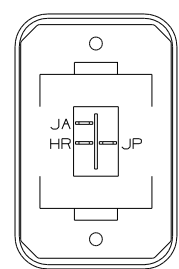


SWITCH-BATTERY, DISC  
108357-06-000  
ACTUATOR-SWITCH  
108356-11-CHT  
PLATE-SWITCH  
98351-07-CHT  
SCREW  
611-06-10U (2)

DETAIL CD



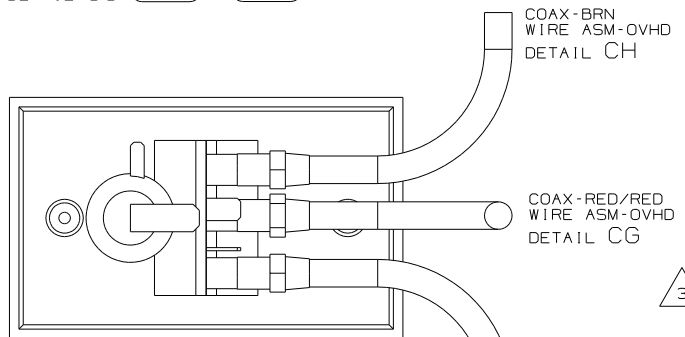
DETAIL CE 644



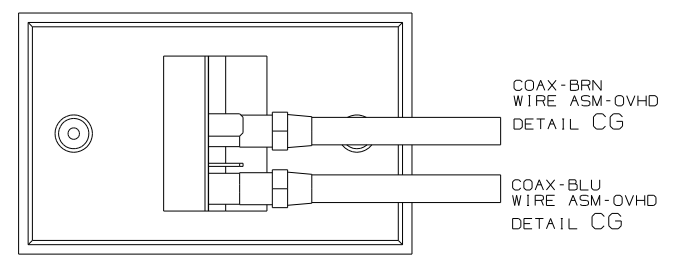
SWITCH-ROCKER  
135740-06-CHT  
SWITCH-BASE  
135741-01-CHT  
SWITCH-BEZEL  
135742-01-CHT  
SCREW  
611-08-08U (2)  
LABEL-SWITCH  
134563-01-CHT

HOLDING TANK HEATER  
TURN OFF When Not in Use  
SEE OPERATORS MANUAL

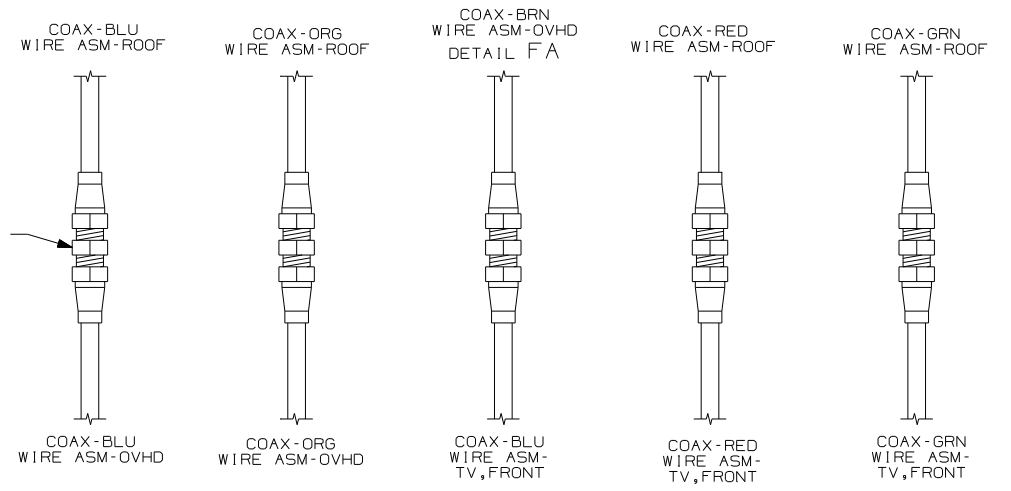
DETAIL CJ 23T OR 23R



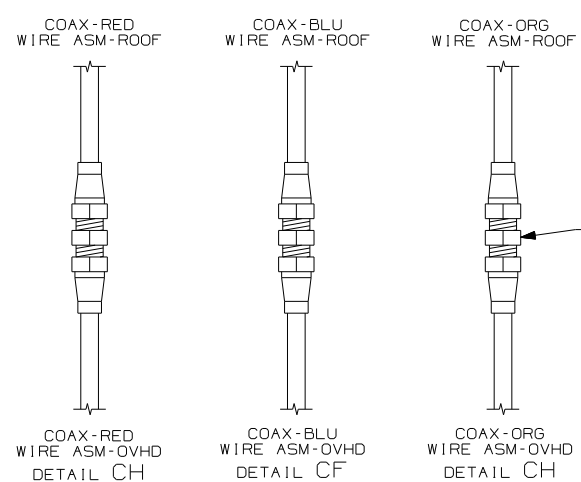
DETAIL CF 1JG 1



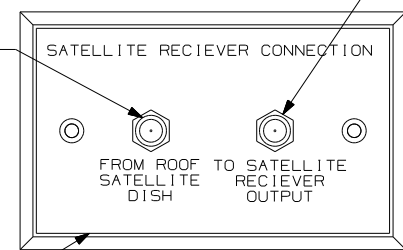
DETAIL CF 1LI 2



DETAIL CG 1LI 2



DETAIL CG 1JG 1  
COAX-RED/RED  
DETAIL CF 3  
OR  
COAX-RED  
DETAIL CG 4



DETAIL CH 1JG 1

3 COAX-ORG  
DETAIL CG

PLATE-WALL  
149557-05-CHT  
SCREW  
667-10-08U (2)

FOR ELECTRICAL  
TORQUE  
SPECIFICATIONS  
SEE DWG NO.  
128783-01-000

FOR  
ELECTRICAL  
CALLOUTS  
SEE DWG NO.  
121339-01-000

- NOTES:
- 4 CONNECT COAX TO FRONT SIDE OF WALLPLATE.
  - 3 CONNECT COAX TO BACK SIDE OF WALLPLATE.
  - 2 NOT USED WITH 1JG
  - 1 NOT USED WITH 1LI
  - 7 REMOVE TERMINALS (SUPPLIED WITH KEY SWITCH) CRIMP ON TO WIRE ASM-JUMPER, AND RECONNECT TO KEY SWITCH.
  - 6 CUT CIRCUIT DY GOING TO SLIDEOUT SWITCH HOUSING AND RECONNECT AS SHOWN.
  - 5 SUPPLIED BY GREAT ALASKAN RENTAL COMPANY.

- 644 GREAT ALASKAN RENTAL PACKAGE
- 23R DRAINAGE SYSTEM/HEAT-PREWIRE
- 23T DRAINAGE SYSTEM-HEATED
- 09T SLIDEOUT RM-DINETTE, BENCH
- 09R SLIDEOUT RM-DINETTE, U-SHAPE
- 1LI TV-27" W/VIDEO SELECTION SYS
- 1JG TV-14" DC, LCD, & DVD, DC
- 1E2 ENTRANCE STEP-ELEC.
- 265 CODES/STANDARDS-CSA/CMVSS
- 1B1 CODES/STANDARDS USA

|                      |                        |
|----------------------|------------------------|
| FIRST USED           | 07 229T                |
| DO NOT SCALE DRAWING |                        |
| TITLE:               | WIRING INSTL-BODY, 12V |
| SHEET 3              | PART NO 157269 REV     |

8

7

6

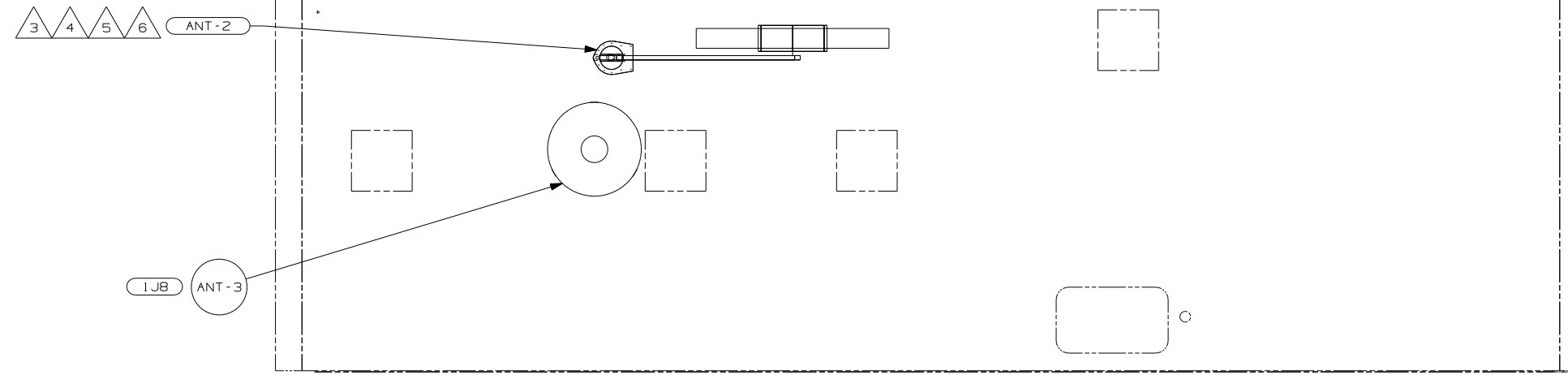
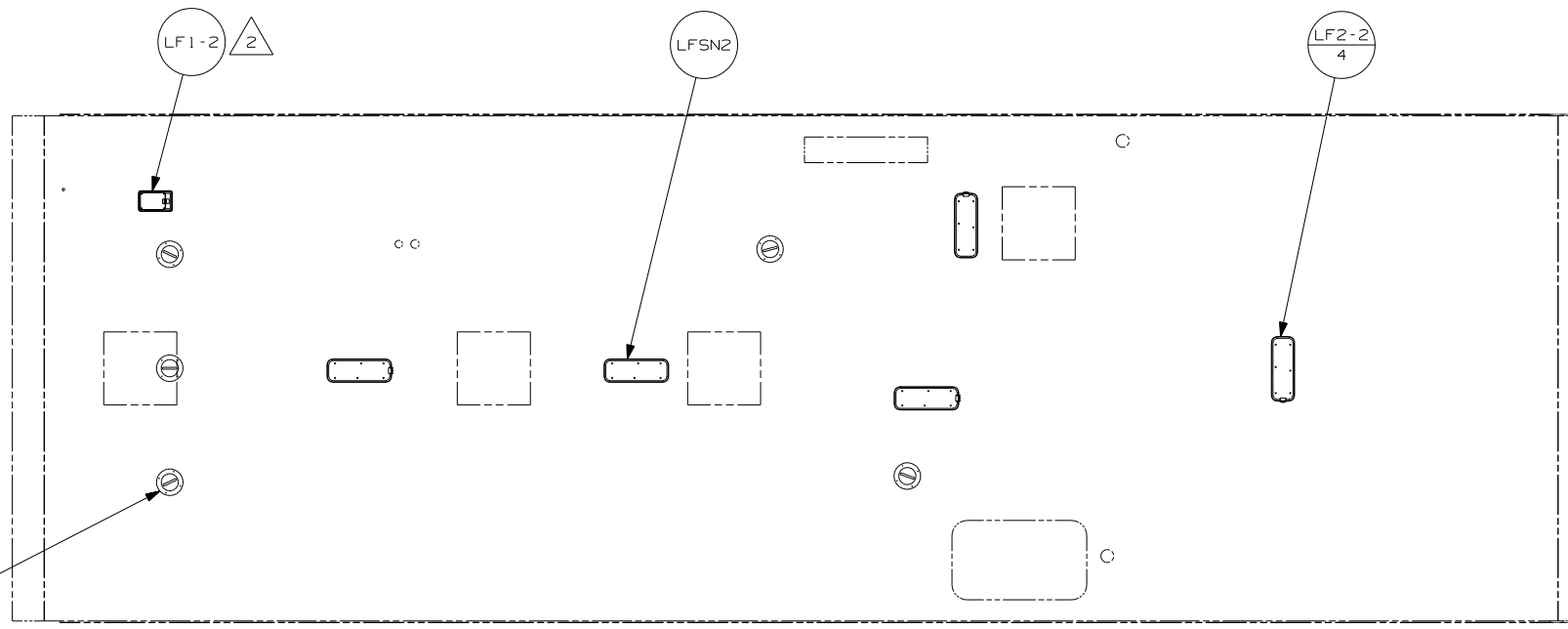
5

4

3

2

1



- △ 6 ADD RUBBER BUMPER TO ROOF UNDER EACH END OF ANTENNA IN DOWN POSITION WHICH MAY COME INTO CONTACT WITH ROOF.
- △ 5 LOCATE CLAMP TO RETAIN CABLE BUT NOT TO RESTRICT ANTENNA TRAVEL.
- △ 4 SEE DRAWING 76319-01-000 FOR INSTALLATION OF TV ANTENNA.
- △ 3 NOT USED WITH 1JB
- △ 2 NOT USED WITH 1L1

NOTES:  
1. SEE ROOF ASM FOR ADDITIONAL INFORMATION.

- 1JB TV ANTENNA-OMNIDIRECTIONAL
- 1L1 TV-27" W/VIDEO SELECTION SYS
- 1JM HOME THEATER SOUND SYSTEM
- 265 CODES/STANDARDS-CSA/CMVSS
- 1B1 CODES/STANDARDS USA

|                      |                        |
|----------------------|------------------------|
| FIRST USED           | 07 229T                |
| DO NOT SCALE DRAWING |                        |
| TITLE:               | WIRING INSTL-BODY, 12V |
| SHEET 4              | PART NO 157269 REV     |

FOR ELECTRICAL TORQUE SPECIFICATIONS SEE DWG NO. 128783-01-000

FOR ELECTRICAL CALLOUTS SEE DWG NO. 121339-01-000

8

7

6

5

4

3

2

1